

LANGUAGES

English	1
Čeština	15
Español	29
Français	44
Italiano	59
Nederlands	73
Polskie	88
Português	103
Slovák	118

English

Thank you for purchasing this product.

Before using your refrigerator, please carefully read this instruction manual in order to maximize its performance. Store all documentation for subsequent use or for other owners. This product is intended solely for household use or similar applications such as:

- the kitchen area for personnel in shops, offices and other working environments
- on farms, by clientele of hotels, motels and other environments of a residential type
- at bed and breakfasts (B & B)
- for catering services and similar applications not for retail sale.

This appliance must be used only for purposes of storage of food, any other use is considered dangerous and the manufacturer will not be responsible for any omissions. Also, it is recommended that you take note of the warranty conditions.

SAFETY INFORMATION

Please read the operating and installation instructions carefully!

They contain important information on how to install, use and maintain the appliance.

The manufacturer is not liable if you fail to comply with the instructions and warnings.

Retain all documents for subsequent use or for the next owner.

- **Do not connect the appliance to the electricity supply until all packing and transit protectors have been removed. Keep children away from packaging and its parts.**
Danger of suffocation from folding cartons and plastic film!
- **Leave to stand for at least 4 hours before switching on the product, to allow compressor oil to settle if transported horizontally.**
- **Make sure there is no transport damage.**
- **Do not damage the refrigerant circuit.**
- **Maintain the ventilation openings in the appliance enclosure or in the built-in structure, free of obstruction.**
- **Never use water to wash the compressor position, wipe it with a dry cloth thoroughly after cleaning to prevent rust.**
- **Handle the appliance always with at least two persons because it is heavy.**
- **Install and level the appliance in an area suitable for its size and use.**
- **Make sure that the electrical information on the rating plate agrees with the power supply. If it does not, contact an electrician.**
- **The appliance is operated by a 220-240 VAC/50 Hz power supply. Abnormal voltage fluctuation may cause the appliance to fail to start, or damage to the temperature control or compressor, or there may be an abnormal noise when operating. In such case, an automatic regulator shall be mounted.**
- **Only for UK: The appliance' s power cable is fitted with 3-cord**

(grounding) plug that fits a standard 3-cord (grounded) socket. Never cut off or dismount the third pin (grounding). After the appliance is installed, the plug should be accessible.

- **Make sure that mains cable is not caught under the appliance during and after carrying/moving the appliance, to avoid the mains cable becoming cut or damaged. If the supply cord is damaged, it must be replaced by the manufacturer, its service agent or similarly qualified person in order to avoid a hazard.**
- **Do not install the appliance in humid, oily or dusty places, nor expose it to direct sunlight and to water.**
- **Do not install the appliance near heaters or inflammable materials.**
- **FOR appliances with a freezer compartment: if there is a power failure do not open the lid. Frozen food should not be affected if the failure lasts for less than the hours indicated on the rating label (Temperature rise time). If the failure is longer, then the food should be checked and eaten immediately or cooked and then refrozen.**
- **If you find that the lid of the appliance is difficult to open just after you have closed it, don' t worry. This is due to the pressure difference which will equalize and allow the lid to be opened normally after a few minutes.**
- **Do not store medicines, bacteria or chemical agents in the appliance. This appliance is a household appliance, it is not recommended to store materials that require strict temperatures.**
- **Do not excessively pull or fold the power cord or touch the plug with wet hands.**
- **Do not store products which contain flammable propellant (e.g. spray cans) or explosive substances in the appliance. Risk of explosion!**
- **Do not place unstable articles (heavy objects, containers filled with water) on top of the refrigerator, to avoid personal injury caused by falling or electric shock caused by contact with water.**
- **Do not use electrical appliances inside the food storage compartments, unless they are of the type recommended by the manufacturer.**
- **Do not touch internal cooling elements, especially with wet hands, to avoid cracks or injuries.**
- **At risk here are children, people who have limited physical, mental or sensory abilities, as well as people who have inadequate knowledge concerning safe operation of the appliance.**
- **Check that children and vulnerable people have understood the hazards. A person responsible for safety must supervise or instruct children and vulnerable people who are using the appliance. Only**

children aged 8 years and above may use the appliance.

- Children should not play with the appliance.
- Children aged from 3 to 8 years are allowed to load and unload this appliance.
- FOR appliances with a freezer compartment: do not store bottled or canned liquids (especially carbonated drinks) in the freezer compartment. Bottles and cans may burst!
- FOR appliances with a freezer compartment: never put frozen food straight from the freezer compartment in your mouth. Risk of low-temperature burns!
- Keep plastic parts and the door seal free of oil and grease. Otherwise, plastic parts and the door seal will become porous.
- Before performing any operation, unplug the power cord from the power socket.
- Do not use mechanical devices or other means to accelerate the defrosting process, other than those recommended by the manufacturer.
- Do not use pointed or sharp-edged objects such as knives or forks to remove the frost.
- Never use hairdryers, electrical heaters or other such electrical appliances for defrosting.
- It is recommended to keep the plug clean, any excessive dust residues on the plug can be the cause fire.
- Do not try to repair, disassemble or modify the appliance by yourself. In case of repair please contact always our customer service.
- Supervise children while the appliance is being cleaned or maintained.
- Do not clean the cold glass shelves with hot water. Sudden temperature change may cause the glass to break.
- **WARNING:** The tubes of the refrigeration circuit convey a small quantity of an environmentally friendly but flammable refrigerant (R600a) and insulating gas (cyclopentane). It does not damage the ozone layer and does not increase the greenhouse effect. If refrigerant escapes, it may injure your eyes or ignite.
- If the refrigerant circuit should be damaged:
 - Switch off the appliance and pull out the mains plug,
 - Keep naked flames and/or ignition sources away from the appliance,
 - Thoroughly ventilate the room for several minutes,
 - Inform customer service.
- **WARNING:** Do not damage the plug and/or the power cord; this could cause electrical shocks or fires.

- **WARNING: Do not use multiple portable socket-outlets or portable power supplies. We do not recommend the use of extension leads and multi-way adapters.**
- **Do not attempt to sit or stand on the top of the appliance. You could injure yourself or damage it. This appliance is not designed for stacking with any other ones.**
- **The product is designed and built for domestic household use only.**
- **Only original parts supplied by the manufacturer may be used. The manufacturer guarantees that only these parts satisfy the safety requirements.**
- **Opening the door for long periods can cause a significant increase of the temperature in the compartments of the appliance.**
 - Clean regularly surfaces that can come in contact with food and accessible drainage systems.
 - Clean water tanks if they have not been used for 48h; flush the water system connected to a water supply if water has not been drawn for 5 days.
 - Store raw meat and fish in suitable containers in the refrigerator, so that it is not in contact with or drip onto other food.
 - Two-star frozen-food compartments(if they are presented in the appliance) are suitable for storing pre-frozen food, storing or making ice-cream and making ice cubes.
 - One-, two- and three -star compartments, if present in the appliance, are not suitable for the freezing of fresh food.
 - If the appliance is left empty for long periods, switch off, defrost, clean, dry and leave the door open to prevent mould developing within the appliance.
- **FOR Wine Coolers: this appliance is intended to be used exclusively for the storage of wine**
- **FOR a free standing appliance: this refrigerating appliance is not intended to be used as a built-in appliance**
- **FOR appliances without a 4-star compartment: this refrigerating appliance is not suitable for freezing foodstuffs**

Scrapping old appliances



This appliance is marked according to the European directive 2012/19/EU on Waste Electrical and Electronic Equipment (WEEE).

WEEE contains both polluting substances (which can cause negative consequences for the environment) and basic components (which can be re-used). It is important to have WEEE subjected to specific treatments, in order to remove and dispose properly all pollutants, and recover and recycle all materials.

Individuals can play an important role in ensuring that WEEE does not become an environmental issue; it is essential to follow some basic rules:

- WEEE should not be treated as household waste;
- WEEE should be handed over to the relevant collection points managed by the municipality or by registered companies. In many countries, for large WEEE, home collection could be present.

In many countries, when you buy a new appliance, the old one may be returned to the retailer who has to collect it free of charge on a one-to-one basis, as long as the equipment is of equivalent type and has the same functions as the supplied equipment.

Conformity

By placing the **CE** mark on this product, we are confirming compliance to all relevant European safety, health and environmental requirements which are applicable in legislation for this product.

Guarantee

Minimum guarantee is: 2 years for EU Countries, 3 years for Turkey, 1 year for UK, 1 year for Russia, 3 years for Sweden, 2 years for Serbia, 5 years for Norway, 1 year for Morocco, 6 months for Algeria, Tunisia no legal warranty required.

Energy Saving

For better energy saving we suggest :

- Installing the appliance away from heat sources and not exposed to direct sunlight and in a well ventilated room.
- Avoid putting hot food into the refrigerator to avoid increasing the internal temperature and therefore causing continuous functionaliting of the compressor.
- Do not excessively stuff foods so as to ensure proper air circulation.
- Defrost the appliance in case there is ice to facilitate the transfer of cold.
- In case of absence of electrical energy, it is advisable to keep the refrigerator door closed.
- Open or keep the doors of the appliance open as little as possible
- Avoid adjusting the setting to temperatures too cold.
- Remove dust present on the rear of the appliance

INSTALLATION INSTRUCTIONS

➤ **Before Using Your Wine cooler**

- Remove the exterior and interior packing.
- Before connecting the Wine cooler to the power source, let it stand upright for approximately 2 hours. This will reduce the possibility of a malfunction in the cooling system from handling during transportation.
- Clean the interior surface with lukewarm water using a soft cloth.
- This appliance is intended to be used in household and similar applications such as
 - staff kitchen areas in shops, offices and other working environments;
 - farm houses and by clients in hotels, motels and other residential type environments;
 - bed and breakfast type environments;
 - catering and similar non-retail applications.
- When disposing your appliance, please choose an authorized disposal site.

➤ **Installation of Your Wine Cooler**

- This appliance is designed to be for free standing installation or built-in (fully recessed) (Refer to sticker location the back of this appliance).
- **This appliances are intended to be used exclusively for the storage of wine.**
- Place your Wine cooler on a floor that is strong enough to support it when it is fully loaded. To level your Wine cooler, adjust the front leveling leg at the bottom of the Wine cooler.
- This appliance is using flammability refrigerant. So never damage the cooling pipe work during the transportation. Locate the Wine cooler away from direct sunlight and sources of heat (stove, heater, radiator, etc.). Direct sunlight may affect the acrylic coating and heat sources may increase electrical consumption. Extreme cold ambient temperatures may also cause the unit not to perform properly.
- Avoid locating the unit in moist areas.
- Plug the Wine cooler into an exclusive, properly installed-grounded wall outlet. Do not under any circumstances cut or remove the third (ground) prong from the power cord. Any questions concerning power and/or grounding should be directed toward a certified electrician or an authorized Products service center.

➤ **Attention**

- Store wine in sealed bottles;
- Do not overload the cabinet;
- Do not open the door unless necessary;
- Do not cover shelves with aluminum foil or any other shelf material which may prevent air circulation;
- Should the Wine cooler be stored without use for long periods it is suggested, after a careful cleaning, to leave the door ajar to allow air to circulate inside the cabinet in order to avoid possible formations of condensation, mold or odors.

➤ **Ambient Room Temperature Limits**





This appliance is designed to operate in ambient temperatures specified by its temperature class marked on the rating plate.

- extended temperate (SN): 'this refrigerating appliance is intended to be used at ambient temperatures ranging from 10 °C to 32 °C';
- temperate (N): 'this refrigerating appliance is intended to be used at ambient temperatures ranging from 16 °C to 32 °C';
- subtropical (ST): 'this refrigerating appliance is intended to be used at ambient temperatures ranging from 16 °C to 38 °C';
- tropical (T): 'this refrigerating appliance is intended to be used at ambient temperatures ranging from 16 °C to 43 °C';

OPERATING YOUR WINE COOLER AND SETTING THE TEMPERATURE CONTROL

➤ Control System Instruction



- “  ” **Button**
To switch the power on/off. (Press and hold this button for approximately 3 seconds);
- “  ” **Button**
To raise (warm) the temperature in 1 °C increments.
- “  ” **Button**
To lower (cool) the temperature in 1 °C increments.
- “  ” **Button**
To control the interior light on/off.
- **indicator light**
Compressor in operation display.
- **LED display window**
To shows the set temperature.

➤ Setting The Temperature Controls

- To set the temperature, connect the power cord to a properly grounded outlet In the event of power interruption, the previous temperature setting is automatically erased and it will default to a preset temperature setting of 12°C
- Set the desired cooling temperature by pressing the buttons adjacent to the “UP/DOWN” indicators. Each depression of the buttons will scroll through the available temperature setting in increments of 1 degree.
- The temperature setting can be adjusted from 5°C -18°C
- If you want to reveal actual temperature, please press and hold the " UP " or " DOWN " button for 3 seconds, the LED will flash and display the actual temperature. After stopping pressing the button for 5 seconds, LED figure will stop flash, then revert back to display the set temperature.
Flashing LED = Set temperature
Steady LED = Cabinet temperature

➤ **Internal light**

In order to reduce energy consumption, this wine cabinet will automatically switch off the LED lights after 10 minutes.

If you want the LED light to remain on continuously, this is possible. Please press and hold the "LIGHT" button for 5 seconds, the display will show "LP". After 4 seconds the display will revert back to normal and the light will remain on until manually switched off.

If you want to revert back and conserve energy (recommended), please press and hold the "LIGHT" button for 5 seconds, the display will show "LF", after 4 seconds the display will revert back to normal, and the light will automatically switch off after 10 minutes.

➤ **Temperature Alarm**

If the temperature inside is higher than 23 °C, it will display "HI" on the display panel, and after one hour after the alarm / buzzer will sound. This indicates that the temperature inside is too high. If the temperature inside is lower than 0 °C, it will display "LO" on the display panel and at the same time the alarm also malfunction indicator is active.

➤ **Temperature Recollection Function**

In the event of a power interruption, wine chiller can remember the previous temperature settings, and when the power is recovery, the cooler temperature will go back the same setting temperature as power off.

➤ **Note**

- If the unit is unplugged, power lost, or turned off, you must wait 3 to 5 minutes before restarting the unit. If you attempt to restart before this time delay, the Wine cooler will not start.
- When you use the Wine cooler for the first time or restart the Wine cooler after having been shut off for a long time, there could be a few degrees variance between the temperature you select and the one indicated on the LED readout. This is normal and it is due to the length of the activation time. Once the Wine cooler is running for a few hours everything will be back to normal.

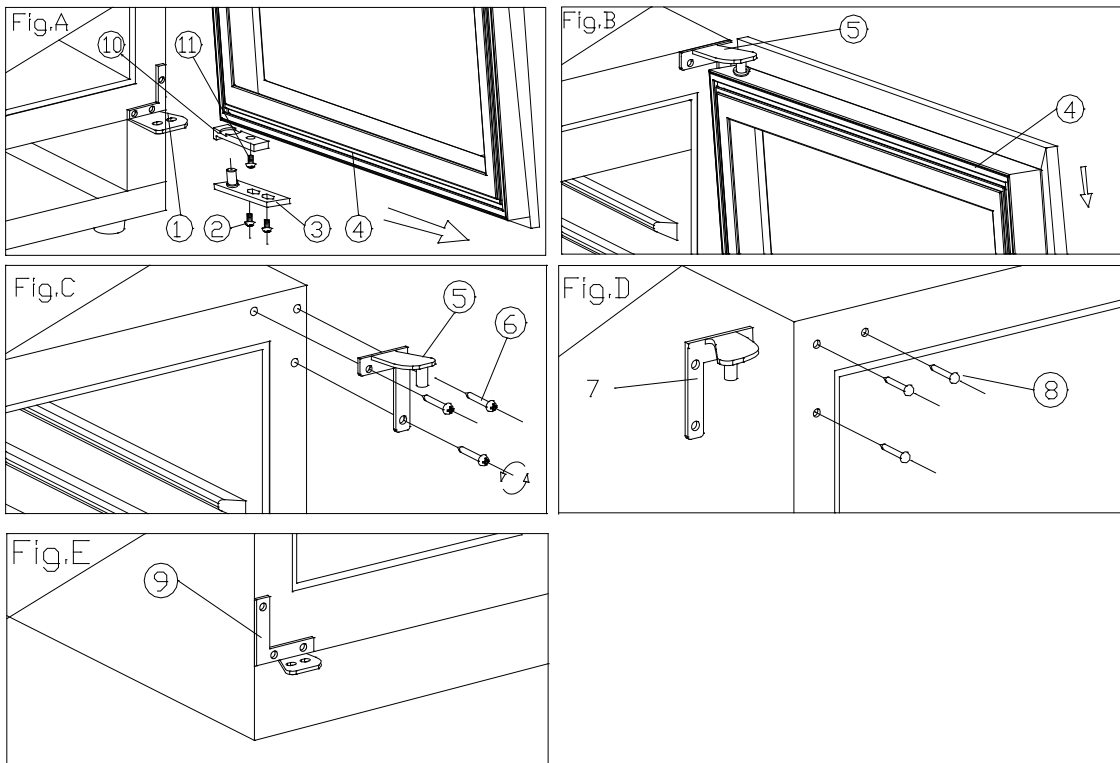
➤ **How to change the door opening**

This appliance has reversible doors but is delivered with a right hinged door. The left hand hinge kit comes with the unit (in the box), should you wish to reverse the hinge on your unit.

Type A (for full glass/stainless steel door)

- | | | |
|-------------------------------|-----------------------------|------------------------------|
| 1. Lower hinge (Right) | 2 . Screws | 3 .Door axis |
| 4. Door | 5. Top hinge (Right) | 6. Hinge Screws |
| 7. Top hinge (Left) | 8. Hole cover | 9. Lower hinge (Left) |
| 10. Door limit device | 11. Screw | |

1. Open the door to a 90 degrees angle, take out the 2 screws (2) from lower door axis (3), remove the door (4), Remove the axis plate (3) from the door, (Fig. A).
2. Unscrew the screw (11) located underneath the doorframe and the limit device (10), and relocate it at left end side of the door frame. (Fig. A/B)
3. Take out the 3 hinge screws (6) from the top hinge (right) (5) and remove it. (Fig. C)
4. Remove decorative nail (8) from left top of cabinet and install spare top hinge (Left) (7) at left top of cabinet with 3 screws. (Fig. D)
5. Following the above procedure, install the spare lower hinge to the left (9). (Fig. E)
6. Install and aligned the door.
7. Insert the plastic caps to cover the holes(8)



Type B (for slim stainless steel door)

1. Bottom hinge (Right)

2. 4. Door

7. Top hinge(Left)

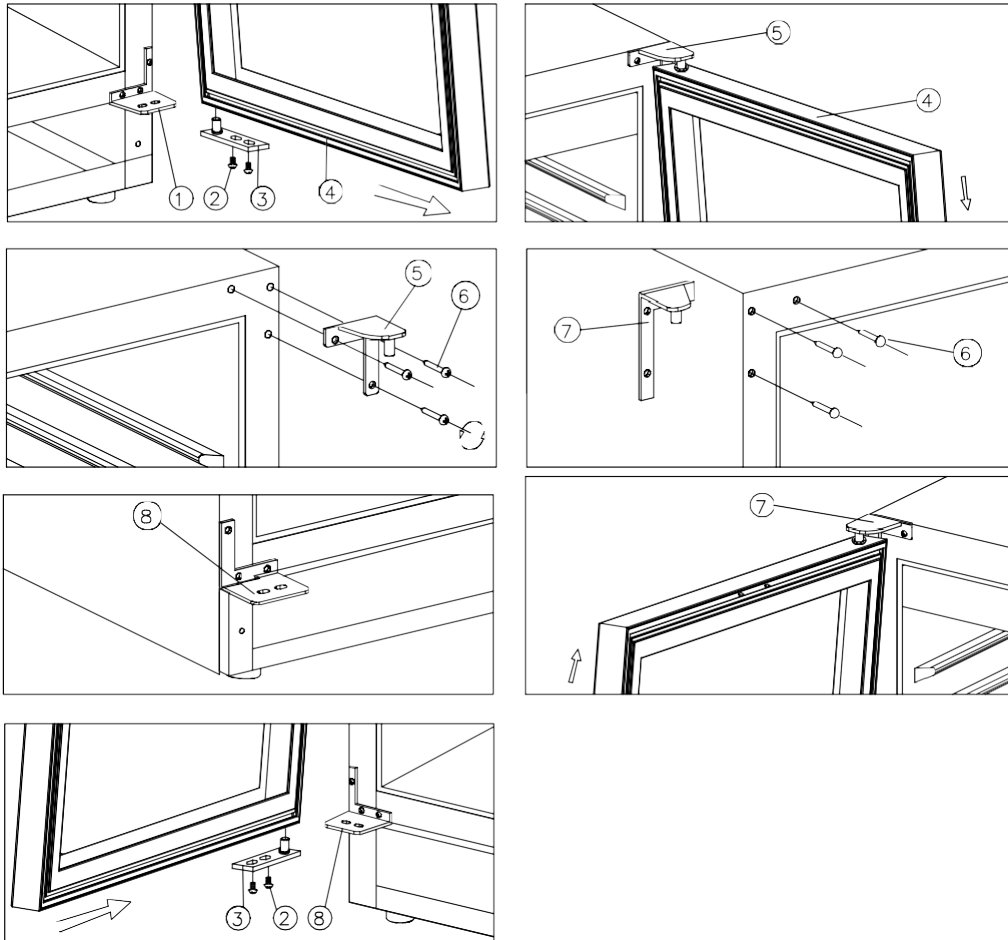
2. Screws

5. Top hinge(Right)

8. Bottom hinge (Left)

3. Door axis

6. screws



1. Remove 2 screws(1), then pull door(4) as per arrowhead direction, You will remove the door. Please remove bottom hinge(Right) (1) as well for the assembly. (Fig.A & Fig.B)

2. To remove 3 screws(6) of right upper Hinge, then to remove right upper(5) & Right bottom hinges(1). (See fig.C)

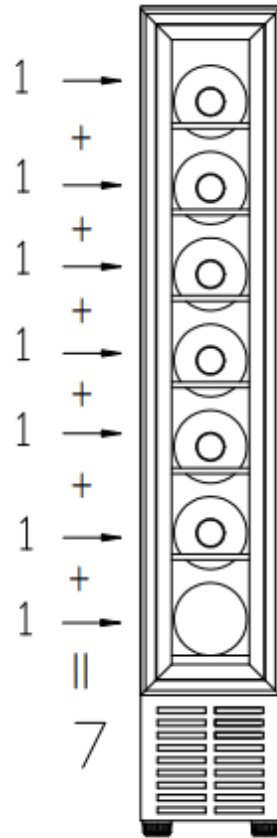
3. To use the screws which you removed From right side hinges to fix left upper & bottom hinges(7)(8). (See Fig.D & Fig.E)

4. To rotate door at 180 degrees, then assemble the door as per the reverse way of remove.

➤ **Storage diagram**

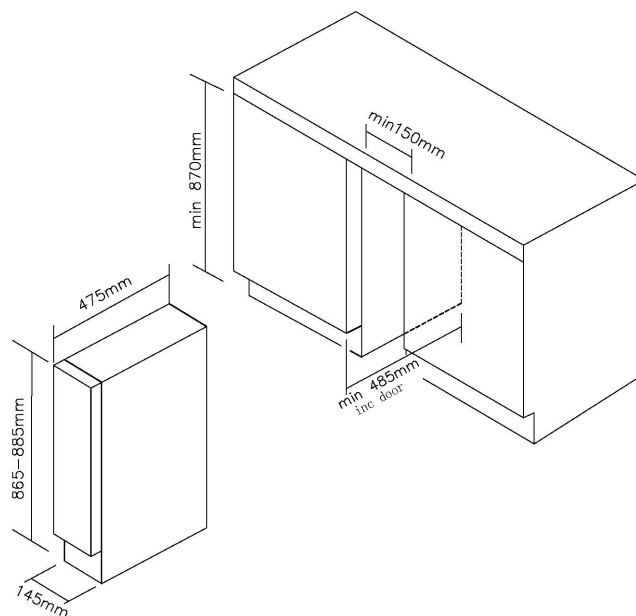
According to the actual configuration of your product, please check the relative Storage diagram.

For Height 865mm
Total: 7bottles (Max)



The most energy-saving configuration shelves to be positioned in the product, please refer to the above pictures.

➤ **Installation dimensions**



CARE AND MAINTENANCE

➤ Cleaning Your Wine cooler

- Turn off the power, unplug the appliance, and remove all items including shelves and rack.
- Wash the inside surfaces with a warm water and baking soda solution. The solution should be about 2 tablespoons of baking soda to a quart of water.
- Wash the shelves with a mild detergent solution.
- Wring excess water out of the sponge or cloth when cleaning area of the controls, or any electrical parts.
- Wash the outside cooler with warm water and mild liquid detergent. Rinse well and wipe dry with a clean soft cloth.

➤ Power Failure

- Most power failures are corrected within a few hours and should not affect the temperature of your appliance if you minimize the number of times the door is opened. If the power is going to be off for a longer period of time, you need to take the proper steps to protect your contents.

➤ Vacation Time

- Short vacations: Leave the Wine cooler operating during vacations of less than three weeks.
- Long vacations: If the appliance will not be used for several months, remove all items and turn off the appliance. Clean and dry the interior thoroughly. To prevent odor and mold growth, leave the door open slightly: blocking it open if necessary.

➤ Moving Your Wine cooler

- Remove all items.
- Securely tape down all loose items (shelves) inside your appliance.
- Turn the adjustable leg up to the base to avoid damage.
- Tape the door shut.
- Be sure the appliance stays secure in the upright position during transportation. Also protect outside of appliance with a blanket, or similar item.

➤ Energy Saving Tips

- The Wine cooler should be located in the coolest area of the room, away from heat producing appliances, and out of the direct sunlight.

PROBLEMS WITH YOUR WINE COOLER?

You can solve many common Wine cooler problems easily, saving you the cost of a possible service call. Try the suggestions below to see if you can solve the problem before calling the service.

TROUBLESHOOTING GUIDE

PROBLEM	POSSIBLE CAUSE
Wine cooler does not operate.	Not plugged in. The appliance is turned off. The circuit breaker tripped or a blown fuse.
Wine cooler is not cold enough.	Check the temperature control setting. External environment may require a higher setting. The door is opened too often. The door is not closed completely. The door gasket does not seal properly.
Turns on and off frequently.	The room temperature is hotter than normal. A large amount of contents has been added to the Wine cooler. The door is opened too often. The door is not closed completely. The temperature control is not set correctly. The door gasket does not seal properly.
The light does not work.	Not plugged in. The circuit breaker tripped or a blown fuse. The bulb has burned out. The light button is "OFF".
Vibrations.	Check to assure that the Wine cooler is level.
The Wine cooler seems to make too much noise.	The rattling noise may come from the flow of the refrigerant, which is normal. As each cycle ends, you may hear gurgling sounds caused by the flow of refrigerant in your Wine cooler. Contraction and expansion of the inside walls may cause popping and crackling noises. The Wine cooler is not level.
The door will not close properly.	The Wine cooler is not level. The door was reversed and not properly installed. The gasket is dirty. The shelves are out of position.

To contact the technical assistance, visit our website: <https://corporate.haier-europe.com/en/>
Under the section "website", choose the brand of your product and your country. You will be redirected to the specific website where you can find the telephone number and form to contact the technical assistance

- **Availability Of Spare Parts**
 - Thermostats, temperature sensors, printed circuit boards and light sources are available for a minimum period of seven years after placing the last unit of the model on the market.
 - Door handles, door hinges, trays and baskets for a minimum period of seven years and door gaskets for a minimum period of 10 year, after placing the last unit of the model on the market.

Recommended temperature SETTINGS

For storing ALL TYPES OF WINES **12 °C to 14 °C**

Recommended DRINKING temperature

Champagne NV, Sparkling	6 °C
Champagne Vintage	10 °C
Dry White Semillon, Sauvignon Blanc	8 °C
Dry White Gewürztraminer, Riesling	10 °C
Dry White Chardonnay	10 °C
Vintage Chardonnay	14 °C
Sweet White Sauternes Monbazillac, Late Harvest ice wine	10 °C
Sweet whites vintage Sauternes	14 °C
Beaujolais	13 °C
Red Pinot Noir	16 °C
Vintage Pinot Noir red	18 °C
Red Cabernet, Merlot, French, Australian, New Zealand, Chilean, Argentinean, Italian, Spanish, Californian	18 °C
Red Grenache, Syrah	16 °C

For further information about the product, please consult <https://eprel.ec.europa.eu/> or scan the QR on the energy label supplied with the appliance

Čeština

Děkujeme vám za zakoupení tohoto výrobku.

Před použitím chladničky si pozorně přečtete tento návod k použití, abyste mohli maximálně využít jejích možností. Uchovejte veškerou dokumentaci pro pozdější použití nebo pro další majitele. Tento výrobek je určen výhradně pro použití v domácnosti nebo podobná využití, jako jsou:

- kuchyňské kouty pro zaměstnance v obchodech, kancelářích a na dalších pracovištích,
- statky, hotely, motely a další ubytovací zařízení,
- v ubytovacích zařízeních typu B&B (ubytování se snídaní),
- pro stravovací služby a podobná využití nikoli pro maloobchodní prodej.

Tento spotřebič se smí používat pouze pro účely skladování potravin, přičemž jakékoli jiné použití je považováno za nebezpečné a výrobce nenese odpovědnost za případné nedodržení pokynů.

Doporučujeme vám také, abyste se seznámili se záručními podmínkami.

BEZPEČNOSTNÍ INFORMACE

Pozorně si přečtete pokyny pro provoz a instalaci! Obsahují důležité informace o tom, jak instalovat, používat a udržovat spotřebič.

Jestliže nedodržíte pokyny a varování, výrobce nenese odpovědnost. Uchovejte všechny dokumenty pro následné použití nebo pro nového vlastníka

- **Nepřipojujte spotřebič k elektrickému napájení, dokud nebudou odstraněny všechny obaly a chrániče pro přepravu. Uchovávejte obalový materiál a jeho součásti mimo dosah dětí. Hrozí nebezpečí udušení skládacími krabicemi a plastovou fólií!**
- **Před zapnutím nechte stát nejméně 4 hodiny, aby se kompresorový olej mohl usadit, pokud byla přeprava prováděna v horizontální poloze.**
- **Při dodání zkontrolujte, zda produkt není poškozen a že všechny součásti a příslušenství jsou v dokonalém stavu.**
- **Nesmí dojít k poškození chladicího okruhu.**
- **Větrací otvory ve skříni spotřebiče nebo ve vestavné konstrukci musí zůstat volné.**
- **Nikdy nepoužívejte vodu k mytí polohy kompresoru, po očištění jej důkladně otřete suchým hadříkem, abyste zabránili korozi.**
- **Se spotřebičem vždy manipulujte alespoň ve dvou osobách, protože je těžký**
- **Nainstalujte spotřebič na místo odpovídající jeho velikost a používání a vyrovnejte ho**
- **Ujistěte se, že parametry elektrického napájení se shodují s údaji na typovém štítku. V opačném případě kontaktujte elektrikáře**
- **Spotřebič pracuje s napájením 220–240 VAC/50 Hz. Nenormální kolísání napětí může způsobit, že spotřebič se nespustí, nebo se poškodí regulátor teploty či kompresor, případně se může za chodu ozývat neobvyklý hluk. V takovém případě by se měl nainstalovat automatický regulátor**

- Pouze pro Spojené království: Napájecí kabel spotřebiče je vybaven trojpólovou zástrčkou (s uzemněním), která se zapojuje do standardní trojpólové zásuvky (s uzemněním). Nikdy neodřezávejte ani nedemontujte třetí kolík (uzemnění). Zástrčka by měla být přístupná po instalaci spotřebiče
- Dbejte na to, aby během přepravy a po přepravě/přemístování spotřebiče nebyl síťový kabel zachycen pod spotřebičem, aby nedošlo k přeseknutí nebo poškození síťového kabelu. Pokud je napájecí kabel poškozen, musí být vyměněn výrobcem, jeho servisním technikem nebo podobně kvalifikovanou osobou, aby se zabránilo nebezpečí.
- Neumísťujte spotřebič ve vlhkém, mastném nebo prašném prostředí, ani jej nevystavujte přímému slunečnímu záření a působení vody.
- Neumísťujte spotřebič do blízkosti topných těles nebo hořlavých materiálů.
- PRO spotřebiče s mrazákem: pokud dojde k výpadku napájení, neotevírejte víko. Jestliže trvá výpadek méně hodin, než je uvedeno na typovém štítku (Doba vzrůstu teploty), nemělo by to ovlivnit zmrazené potraviny. Jestliže trvá výpadek déle, je nutné potraviny zkontrolovat a okamžitě zkonzumovat, nebo uvařit a potom opět zmrazit
- Pokud zjistíte, že víko spotřebiče se ihned po zavření obtížně otvírá, nemějte obavy. Je to způsobeno rozdílem tlaku, který se vyrovná a za několik minut budete moci víko normálně otevřít
- Ve spotřebiči neskladujte léky, bakterie ani chemické látky. Tento spotřebič je určen k použití v domácnosti, nedoporučuje se v něm skladovat materiály, které vyžadují přesně stanovené teploty
- Netahejte silou za přívodní kabel ani jej neskládejte a nedotýkejte se zástrčky mokřýma rukama.
- Ve spotřebiči neskladujte látky obsahující hořlavý hnací plyn (např. aerosolové nádoby) nebo výbušné látky. Hrozí nebezpečí výbuchu!
- Nepokládejte na horní stranu chladničky nestabilní předměty (těžké předměty, nádoby naplněné vodou), aby se předešlo zranění způsobenému pádem nebo elektrickým proudem v důsledku styku s vodou
- Nepoužívejte elektrické spotřebiče uvnitř úložných oddílů pro potraviny ve spotřebiči, pokud nejsou tyto typy přímo doporučeny výrobcem.
- Nedotýkejte se vnitřních chladicích prvků, zejména mokřýma rukama, aby nedošlo k prasknutí nebo zranění.
- Nebezpečí hrozí dětem, osobám s omezenými fyzickými, smyslovými nebo duševními schopnostmi, stejně jako osobám s nedostatečnými

znalostmi o bezpečném používání spotřebiče. Zkontrolujte, zda děti a ohrožené osoby chápou nebezpečí. Osoba zodpovědná za bezpečnost musí dohlížet na děti a ohrožené osoby používající spotřebič, nebo je musí poučit. Spotřebič mohou používat pouze děti starší osmi let"

- Děti si se spotřebičem nesmějí hrát.
- Děti ve věku od 3 do 8 let mohou do tohoto spotřebiče vkládat a vyjímat z něj věci.
- PRO spotřebiče s mrazákem: neukládejte do mrazáku tekutiny v láhvách nebo plechovkách (zejména nápoje sycené oxidem uhličitým). Láhve a plechovky mohou prasknout!
- PRO spotřebiče s mrazákem: nikdy nevkládejte do úst zmrazené potraviny přímo z mrazáku. Hrozí nebezpečí vzniku omrzlin!
- Chraňte plastové součásti a těsnění dveří před olejem a tukem. Jinak by se na plastových součástech a těsnění dveří mohly vytvořit póry
- Před provedením jakéhokoli úkonu odpojte napájecí kabel ze zásuvky.
- Nepoužívejte mechanické nástroje nebo jiné prostředky k urychlení procesu odmrazování, pokud nejsou doporučeny výrobcem.
- K odstranění námrazy nepoužívejte špičaté nebo ostré předměty, jako jsou nože nebo vidličky. K odmrazování nikdy nepoužívejte vysoušeče vlasů, elektrické ohříváče nebo jiné podobné elektrické spotřebiče.
- Doporučuje se udržovat zástrčku v čistotě, neboť nadměrný nános prachu na zástrčce může být příčinou požáru.
- Nepokoušejte se opravovat, rozebírat nebo upravovat spotřebič vlastními silami. Je-li nutná oprava, vždy se obraťte na náš zákaznický servis.
- Během čištění nebo údržby spotřebiče dohlížejte na děti.
- Nečistěte chladné skleněné police horkou vodou. Náhlá změna teploty by mohla způsobit, že sklo praskne.
- VAROVÁNÍ: V trubicích chladicího okruhu proudí malé množství chladiva (R600a) a izolačního plynu (cyklopentanu); tyto látky jsou šetrné k životnímu prostředí, ale hořlavé. Nepoškozují ozónovou vrstvu a nezvyšují účinky skleníkového efektu. Pokud chladivo unikne, mohlo by vám poškodit zrak, nebo by se mohlo vznítit.
- Pokud dojde k poškození okruhu chladiva:
 - Vypněte spotřebič a vytáhněte zástrčku ze zásuvky.
 - Nepřibližujte se ke spotřebiči s otevřeným plamenem a/nebo zdroji vznícení.
 - Důkladně vyvětrejte místnost, větrejte několik minut.
 - Informujte zákaznický servis.

- **VAROVÁNÍ:** Nepoškodte zástrčku a/nebo napájecí kabel; mohlo by to způsobit úraz elektrickým proudem nebo požár.
- **VAROVÁNÍ:** Nepoužívejte přenosné rozbočovací zásuvky ani přenosné zdroje napájení.
Nedoporučujeme používat prodlužovací kabely ani rozbočovací adaptéry.
- Nepokoušejte se sedat si nebo stoupat na horní stranu spotřebiče. Mohli byste se zranit nebo poškodit spotřebič. Spotřebič není konstruován pro umístění na jiné spotřebiče.
- Produkt je navržen a vyroben pouze pro domácí použití v domácnosti.
- Lze používat pouze originální náhradní díly dodané výrobcem. Výrobce zaručuje, že pouze takové díly splňují bezpečnostní požadavky.
- Otevírání dveří na dlouhou dobu může v oddílech spotřebiče způsobit výrazné zvýšení teploty
- Pravidelně čistěte povrchy, které mohou přijít do styku s potravinami, a přístupné odvodňovací systémy
- Vyčistěte nádržky na vodu, pokud nebyly použity po dobu 48 hodin; pokud voda nebyla odebrána po dobu 5 dnů, propláchněte vodní systém připojený k přívodu vody
- Syrové maso a ryby skladujte ve vhodných nádobách v chladničce tak, aby nepřicházely do kontaktu s jinými potravinami nebo aby z nich nekapalo na jiné potraviny
- Dvuhvězdičkové oddíly pro zmrazené potraviny (pokud se ve spotřebiči nacházejí) jsou vhodné pro skladování předem zmrazených potravin, skladování nebo výrobu zmrzliny a výrobu kostek ledu
- Jedno-, dvou- a tříhvězdičkové oddíly (pokud se ve spotřebiči nacházejí) nejsou vhodné pro zmrazování čerstvých potravin
- Pokud necháváte spotřebič dlouhou dobu prázdný, vypněte jej, odmrazte, vyčistěte, vysušte a nechte dveře otevřené, aby se zabránilo tvorbě plísní uvnitř spotřebiče
- U spotřebičů pro uchovávání vína: Tento spotřebič je určen výhradně k uchovávání vína
- U volně stojícího spotřebiče: Tento chladicí spotřebič není určen k vestavění
- U spotřebičů bez prostoru označeného čtyřmi hvězdičkami: Tento chladicí spotřebič není vhodný pro mražení potravin

Likvidace starých spotřebičů



Tento spotřebič je označen v souladu s evropskou směrnicí 2012/19/EU o odpadních elektrických a elektronických zařízeních (WEEE).

Spotřebič podléhající WEEE obsahuje znečišťující látky (které mohou mít negativní dopad na životní prostředí) a základní součásti (které lze znovu použít). U spotřebiče podléhajícího WEEE je důležité nechat provést zvláštní zpracování, aby všechny znečišťující látky byly odstraněny a řádně zlikvidovány a aby všechny materiály byly obnoveny a zrecyklovány.

Jednotlivci mohou hrát důležitou roli při zajišťování toho, aby se spotřebič podléhající WEEE nestal zátěží pro životní prostředí. Je nezbytné dodržovat několik základních pravidel:

- Spotřebič podléhající WEEE se nesmí likvidovat jako domovní odpad;
- Spotřebič podléhající WEEE se musí předat na příslušné sběrné místo pod správou obce nebo autorizovaných společností. V mnoha zemích může být v případě velkých spotřebičů podléhajících WEEE k dispozici domovní sběr.

V mnoha zemích, když si zakoupíte nový spotřebič, můžete starý spotřebič vrátit prodejci, který jej musí přijmout zdarma na základě výměny kus za kus, pokud je zařízení stejného typu a má stejné funkce jako dodané zařízení.

Shoda

Umístěním značky **CE** na tento produkt potvrzujeme shodu se všemi příslušnými evropskými požadavky na bezpečnost, zdraví a životní prostředí, které se uplatňují dle právních předpisů pro tento produkt.

Záruka

Minimální záruka je: 2 roky pro země EU, 3 roky pro Turecko, 1 rok pro Spojené království, 1 rok pro Rusko, 3 roky pro Švédsko, 2 roky pro Srbsko, 5 let pro Norsko, 1 rok pro Maroko, 6 měsíců pro Alžírsko, pro Tunisko není vyžadována žádná právní záruka.

Úspora energie

Pro lepší úsporu energie doporučujeme:

- Instalujte spotřebič v dobře větrané místnosti, daleko od zdrojů tepla a nevystavujte jej přímému slunečnímu záření.
- Vyvarujte se vkládání horkých potravin do chladničky, abyste se vyhnuli nárůstu vnitřní teploty a s tím spojenému nepřetržitému chodu kompresoru.
- Neukládejte nadměrné množství potravin, aby bylo zajištěno dostatečné proudění vzduchu.
- Odmrazujte spotřebič v případě výskytu ledu, abyste usnadnili přenos chladu.
- V případě výpadku elektrické energie se doporučuje nechat dveře chladničky zavřené.
- Otevírejte nebo ponechávejte dveře spotřebiče otevřené v co nejmenším možném rozsahu.
- Vyvarujte se úpravě nastavení na příliš nízké teploty.
- Odstraňujte prach ze zadní části spotřebiče.

POKYNY K INSTALACI

➤ Před použitím chladničky na víno

- Odstraňte vnější a vnitřní obal.
- Před připojením chladničky na víno ke zdroji napájení ji nechte stát přibližně 2 hodiny ve vzpřímené poloze. Tím se sníží možnost závady chladicího systému manipulací při přepravě.
- Očistěte vnitřní plochy měkkou utěrkou namočenou ve vlažné vodě.
- Spotřebič je určen k použití v domácnosti a v podobných prostředích, například
 - v kuchyňských prostorách pro zaměstnance v obchodech, kancelářích a jiných pracovních prostředích;
 - v zemědělských domech a místnostech klientů v hotelech, motelech a jiných obytných prostředích;
 - v prostředích pro nocleh se snídaní;
 - ve stravovacích a podobných zařízeních mimo maloobchod.
- Při likvidaci spotřebiče zvolte autorizované místo likvidace.

➤ Instalace chladničky na víno

- Tento spotřebič je určen k instalaci ve volném stoje nebo vestavěný (plně zapuštěný) (viz umístění nálepky na zadní straně tohoto spotřebiče).
- **Tento spotřebič je určen výhradně pro skladování vína nebo nápojů.**
- Umístěte chladničku na víno na dostatečně pevnou podlahu, aby ji po plném naložení unesla. Chcete-li vyrovnat chladničku na víno, nastavte přední vyrovnávací nohu ve spodní části chladničky na víno.
- Tento spotřebič používá hořlavé chladivo, takže během přepravy nikdy nepoškozujte chladicí potrubí. Umístěte chladničku na víno mimo přímé sluneční světlo a zdroje tepla (sporák, topení, radiátor atd.). Přímým slunečním osvětlením by se mohl poškodit akrylový povrch a blízké zdroje tepla by mohly zvýšit spotřebu elektrické energie. Extrémně nízká okolní teplota může také vést k tomu, že spotřebič nebude fungovat správně.
- Nedávejte jednotku do vlhkých míst.
- Připojte chladničku na víno do vyhrazené, řádně uzemněné zásuvky. Za žádných okolností neodřezávejte ani jinak neodstraňujte z dodané napájecí šňůry třetí (uzemňovací) kolík. Se všemi otázkami ohledně napájení či uzemnění se obraťte přímo na kvalifikovaného elektrikáře nebo autorizované servisní středisko výrobce.

➤ Pozor

- Skladujte víno v uzavřených lahvích;
- Skříň nepřeplyňujte;
- Neotvírejte dvířka, pokud to není nutné;
- Nezakrývejte police hliníkovou fólií nebo jiným materiálem, který by mohl bránit proudění vzduchu;
- Pokud je chladnička na víno skladována bez použití po dlouhou dobu, doporučuje se po pečlivém vyčištění nechat dvířka otevřená, aby mohl vzduch cirkulovat uvnitř skříně, aby nedocházelo k tvorbě kondenzace, plísní nebo zápachu.

➤ Mezní hodnoty okolní teploty









Tento spotřebič je konstruován pro provoz při okolních teplotách stanovených jeho teplotní třídou vyznačenou na jmenovitém štítku.

- Rozšířené mírné pásmo (SN): „Tento chladicí spotřebič je určen k používání při teplotách okolí od 10 °C do 32 °C.“
- Mírné pásmo (N): „Tento chladicí spotřebič je určen k používání při teplotách okolí od 16 °C do 32 °C.“
- Subtropické pásmo (ST): „Tento chladicí spotřebič je určen k používání při teplotách okolí od 16 °C do 38 °C.“
- Tropické pásmo (T): „Tento chladicí spotřebič je určen k používání při teplotách okolí od 16 °C do 43 °C.“

POUŽÍVÁNÍ CHLADNIČKY NA VÍNO A NASTAVENÍ REGULACE TEPLoty

➤ Pokyny pro ovládací systém



- **Tlačítko „“**
Pro zapnutí/vypnutí napájení. (Stiskněte a podržte toto tlačítko přibližně 3 sekundy);
 - **Tlačítko „“**
Pro zvýšení (ohřev) teploty v krocích po 1 °C.
 - **Tlačítko „“**
Pro snížení (ochlazení) teploty v krocích po 1 °C.
 - **Tlačítko „“**
Pro ovládání rozsvícení/vypnutí vnitřního osvětlení.
 - **Kontrolka**
Kompresor na provozním displeji.
 - **Okno LED displeje**
Pro zobrazení nastavené teploty.
- Nastavení regulace teploty
- Chcete-li nastavit teplotu, připojte napájecí kabel k řádně uzemněné zásuvce. V případě přerušování napájení se předchozí nastavení teploty automaticky vymaže a výchozí nastavení teploty je 12 °C.
 - Požadovanou teplotu chlazení nastavte stisknutím tlačítek vedle indikátorů „“ nebo „“. Každým stisknutím tlačítek procházíte dostupnými nastaveními teploty v krocích po 1 °C.
 - Teplotu lze nastavit od 5 °C do 18 °C.
 - Chcete-li zjistit každou skutečnou vnitřní teplotu, stiskněte a podržte tlačítko „“ nebo tlačítko „“ po dobu 3 sekund, LED bliká a zobrazuje skutečnou teplotu. Po uvolnění tlačítka na 5 sekund LED obrázek přestane blikat a poté se vrátí zpět a zobrazí se nastavená teplota.
Blikající LED = teplota skříně
Nepřetržitě svítící LED = nastavená teplota
- Vnitřní osvětlení
- Aby se snížila spotřeba energie, v této vinotéce se automaticky vypne LED osvětlení po 10 minutách. Pokud chcete, aby LED osvětlení nepřetržitě svítilo, je to možné. Stiskněte a podržte tlačítko „LIGHT“ (OSVĚTLENÍ) po dobu 5 sekund, na displeji se zobrazí „LP“. Po 4 sekundách se displej vrátí do normálu a osvětlení zůstane rozsvíceno, dokud se ručně nevypne.
- Chcete-li se vrátit k původnímu nastavení a šetřit energii (doporučeno), stiskněte a podržte tlačítko „LIGHT“ (OSVĚTLENÍ) po dobu 5 sekund, na displeji se zobrazí „LF“, po 4 sekundách se displej vrátí zpět do normálu a osvětlení se automaticky vypne po 10 minutách.

➤ **Teplotní alarm**

Pokud je teplota uvnitř vyšší než 23 °C, na displeji se zobrazí „HI“ , a po jedné hodině zazní alarm / bzučák. To znamená, že teplota uvnitř je příliš vysoká. Pokud je teplota uvnitř nižší než 0 °C, na displeji se zobrazí „LO“ a současně je aktivní indikátor poruchy i alarmu.

➤ **Funkce obnovení teploty**

V případě přerušení napájení si chladnička na víno může zapamatovat předchozí nastavení teploty a při obnovení napájení se teplota chladničky vrátí na stejnou nastavenou teplotu jako při vypnutí napájení.

➤ **POZNÁMKA:**

- Pokud je jednotka odpojena, dojde ke ztrátě nebo vypnutí napájení, musíte před restartováním vyčkat 3 až 5 minut. Pokud se pokusíte restartovat před tímto zpožděním, chladnička na víno/chladnička na nápoje se nespustí.
- Při prvním použití chladničky na víno/chladničky na nápoje nebo restartování chladničky na víno/chladničky na nápoje po dlouhém vypnutí může dojít k několika stupňům rozdílu mezi vámi zvolenou teplotou a teplotou uvedenou na LED indikátoru. To je běžné a je to kvůli délce aktivační doby. Jakmile bude chladnička na víno/chladnička na nápoje několik hodin v provozu, vše se vrátí do normálu.

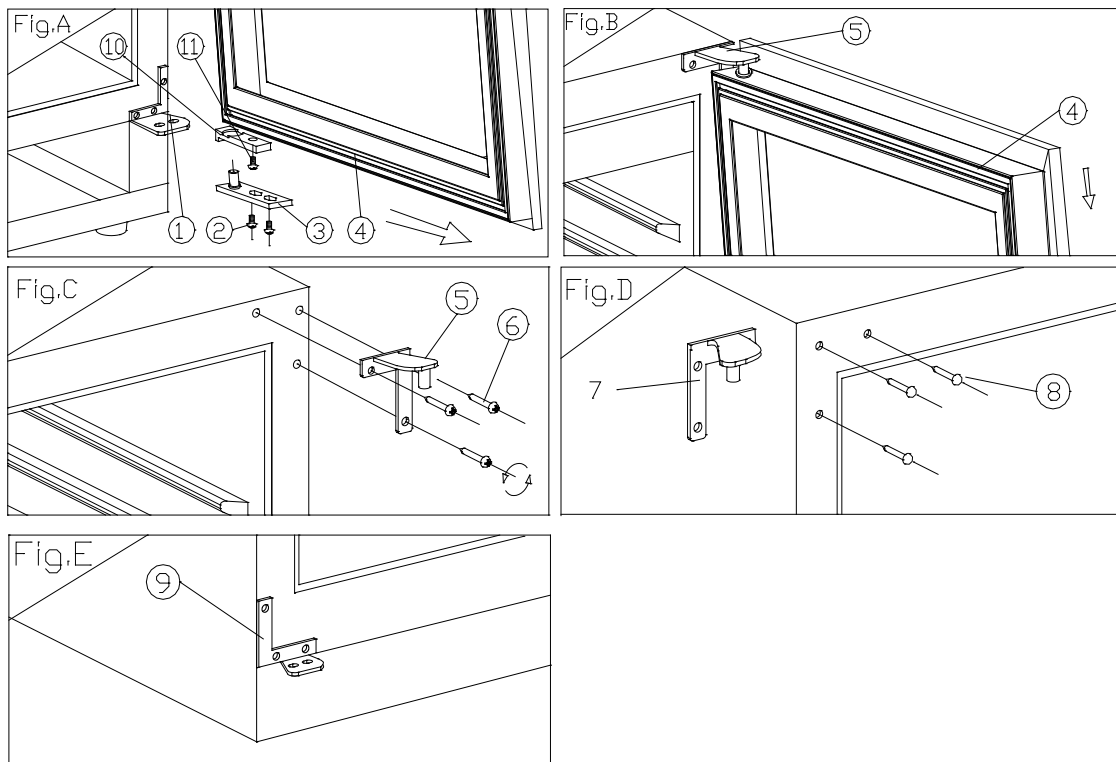
➤ Jak změnit otevírání dvířek

Tento spotřebič má reverzibilní dvířka, ale dodává se s dvířky zavěšenými vpravo. Sada levého závěsu je dodávána s jednotkou (v krabici), pokud chcete změnit stranu závěsu na jednotce.

Typ A (pro celoskleněné / nerezové dveře)

- | | | |
|-------------------------|------------------------|------------------------|
| 1. Spodní závěs (pravý) | 2. Šrouby | 3. Osa dvířek |
| 4. Dvířka | 5. Horní závěs (pravý) | 6. Závěsné šrouby |
| 7. Horní závěs (levý) | 8. Kryt otvoru | 9. Spodní závěs (levý) |
| 10. Omezovač dvířek | 11. Šroub | |

1. Otevřete dvířka pod úhlem 90 stupňů, vyjměte 2 šrouby (2) z osy spodních dvířek (3), vyjměte dvířka (4), vyjměte osovou destičku (3) ze dvířek, (obr. A).
2. Odšroubujte šroub (11) umístěný pod rámem dvířek a omezovačem (10) a přemístěte jej na levou stranu rámu dvířek. (obr. A/B)
3. Vyberte 3 šrouby závěsu (6) z horního závěsu (pravý) (5) a vyjměte jej. (obr. C)
4. Odstraňte ozdobný hřebík (8) z levého horního okraje skříně a namontujte náhradní horní závěs (levý) (7) v levém horním okraji skříně pomocí 3 šroubů. (obr. D)
5. Podle výše uvedeného postupu nainstalujte nalevo náhradní spodní závěs (9). (obr. E)
6. Namontujte a zarovnejte dvířka.
7. Vložte plastové uzávěry, abyste zakryli otvory (8).



Typ B (pro tenké dveře z nerezové oceli)

1. Dolní závěs (vpravo)

4. Dvířka

7. Horní závěs (vlevo)

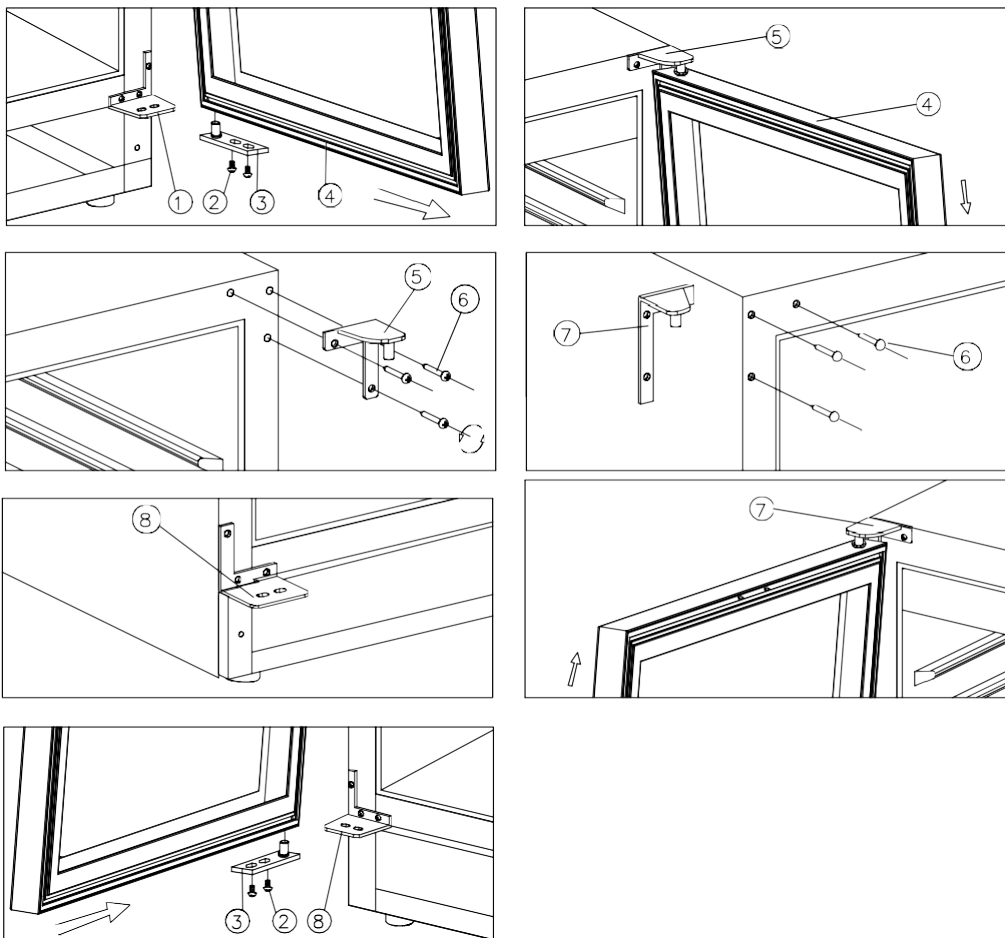
2. Šrouby

5. Horní závěs (pravý)

8. Dolní závěs (vlevo)

3. Osa dvířek

6. Šrouby

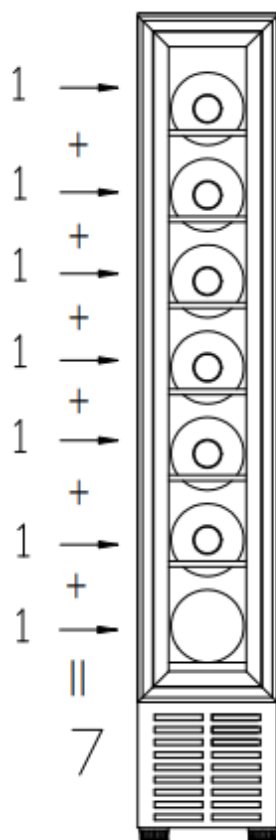


1. Demontujte 2 šrouby (2), poté zatáhněte za dvířka (4) podle směru šipky a dolní závěs (vpravo) (1), také pro montáž. (Obr. A a obr. B)
2. Demontujte 3 šrouby (6) pravého horního závěsu a odstraňte pravý horní (5) a pravý dolní závěs (1). (Viz obr. C)
3. Použijte šrouby, které jste odstranili z pravých bočních závěsů pro upevnění levých horních a spodních závěsů (7) (8). (Viz obr. D a obr. E)
4. Otočte dvířka o 180 stupňů, a poté je namontujte opačným způsobem jako při demontáži.

➤ **Schéma uložení**

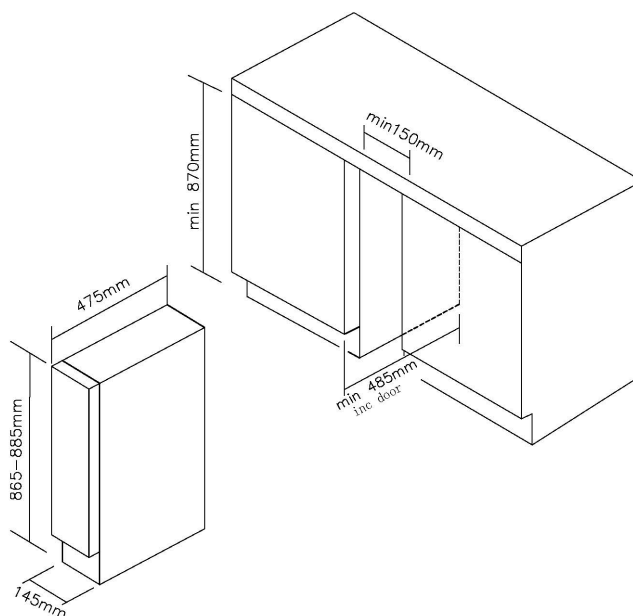
V závislosti od aktuální konfigurace vašeho produktu zkontrolujte příslušné schéma uložení.

Pro výšku 865 mm
Celkem: 7 lahví (max.)



Energeticky nejúspornější konfigurace vyžaduje, aby byly ve spotřebiči nainstalovány police, viz obrázky výše.

➤ **Specifikace instalace pro zabudování**



PÉČE A ÚDRŽBA

➤ Čištění chladničky na víno

- Vypněte napájení, odpojte spotřebič a odstraňte všechny položky, včetně polic a stojanu.
- Vnitřní povrchy umyjte roztokem teplé vody s jedlou sodou. Pro vytvoření roztoku rozpustíte 2 polévkové lžičce v jednom litru vody.
- Police umyjte jemným roztokem čisticího prostředku.
- Při čištění oblasti ovládacích prvků nebo jakýchkoli elektrických částí odstraňte přebytečnou vodu z houby nebo hadříku.
- Vnější povrch umyjte teplou vodou a jemným tekutým čisticím prostředkem. Dobře opláchněte a otřete do sucha čistým měkkým hadříkem.

➤ Výpadek dodávky elektřiny

- Většina výpadků napájení je vyřešena během několika hodin a neměla by ovlivnit teplotu spotřebiče, pokud minimalizujete počet otevření dvířek. Při dlouhodobějším výpadku proudu musíte přijmout opatření na ochranu vín v ní uložených.

➤ Doba dovolené

- **Krátká dovolená:** Během dovolené kratší než tři týdny nechte chladničku na víno v provozu.
- **Dlouhá dovolená:** Pokud nebude spotřebič používán několik měsíců, odstraňte všechny položky a vypněte jej. Vyčistěte a důkladně vysušte vnitřek spotřebiče. Abyste zabránili vzniku zápachu a plísní, nechte dvířka mírně otevřená: v případě potřeby je zablokujte otevřená.

➤ Přemístění chladničky na víno

- Vyberte všechny položky.
- Upevněte pečlivě všechny volné díly (police) uvnitř spotřebiče.
- Nastavitelnou nohu otočte nahoru k základně, aby nedošlo k poškození.
- Zajistěte dvířka páskou.
- Během přepravy zajistěte, aby spotřebič zůstal ve vzpřímené poloze. Chraňte také vnější povrch spotřebiče přikrývkou nebo podobným předmětem.

➤ Tipy pro úsporu energie

- Chladnička na víno by měla být umístěna v nejchladnější části místnosti, mimo dosah spotřebičů produkujících teplo a mimo přímé sluneční světlo.

PROBLÉMY S CHLADNIČKOU NA VÍNO/CHLADNIČKOU NA NÁPOJE?

Mnoho běžných problémů s chladničkou na víno/chladničkou na nápoje můžete snadno vyřešit, čímž ušetříte náklady na možný servisní hovor. Než zavoláte na servis, pokuste se problém vyřešit podle níže uvedených doporučení.

PRŮVODCE ŘEŠENÍM PROBLÉMŮ

PROBLÉM	MOŽNÁ PŘÍČINA
Chladnička na víno/chladnička na nápoje nefunguje.	Není zapojená v zásuvce. Spotřebič je vypnutý. Vypadlý jistič nebo spálená pojistka.
V chladničce na víno/chladničce na nápoje není dostatečný chlad.	Zkontrolujte nastavení regulace teploty. Je možné, že je v daném prostředí nutno nastavit nižší teplotu. Dveře jsou otevírané příliš často. Dveře nejsou řádně zavřené. Dveřní těsnění netěsní.
Často se zapíná a vypíná.	Teplota v místnosti je vyšší než normálně. Do chladničky na víno/chladničky na nápoje bylo přidáno velké množství obsahu. Dveře jsou otevírané příliš často. Dveře nejsou řádně zavřené. Ovladač teploty není správně nastavený. Dveřní těsnění netěsní.
Světlo nesvíí.	Není zapojená v zásuvce. Vypadlý jistič nebo spálená pojistka. Žárovka je spálená. Tlačítko osvětlení je „VYPNUTO“.
Vibrace.	Zkontrolujte, zda je chladnička na víno/chladnička na nápoje vyrovnaná.
Zdá se, že chladnička na víno/chladnička na nápoje vydává příliš velký hluk.	Hrčení může být způsobeno prouděním chladiva, což je normální. Jak každý cyklus končí, můžete slyšet bublání způsobené průtokem chladiva v chladničce na víno/chladničce na nápoje. Kontrakce a rozšíření uvnitř stěn může způsobit pukání a praskání. Chladnička na víno/chladnička na nápoje není vyrovnaná.
Dveře se nedají řádně zavřít.	Chladnička na víno/chladnička na nápoje není vyrovnaná. Dvířka byla obrácena a nebyla správně nainstalována. Těsnění je znečištěné. Police nejsou na svém místě.

Chcete-li kontaktovat technickou pomoc, navštivte naše webové stránky: <https://corporate.haier-europe.com/en/>. V sekci „websites“ vyberte značku vašeho produktu a vaši zemi. Budete přeměrováni na konkrétní webovou stránku, kde najdete telefonní číslo a formulář pro kontaktování technické pomoci

➤ **Dostupnost náhradních dílů**

- Termostaty, teplotní čidla, desky plošných spojů a zdroje světla, po dobu alespoň sedmi let poté, co byl na trh uveden poslední kus daného modelu;
- Dveřní kliky, dveřní závěsy, přihrádky a koše po dobu alespoň sedmi let a těsnění dveří po dobu alespoň deseti let poté, co byl na trh uveden poslední kus daného model

Doporučená NASTAVENÍ teploty

Pro skladování VŠECH DRUHŮ VÍN

12 °C to 14 °C

Doporučená PITNÁ teplot

Šampaňské neročnickové, šumivé

6 °C

Šampaňské ročnickové

10 °C

Suchý bílý semilon, Sauvignon Blanc

8 °C

Suchý bílý Gewürztraminer, Ryzlink

10 °C

Suché bílé Chardonnay

10 °C

Ročnickové Chardonnay

14 °C

Sladké bílé Sauternes Monbazillac, pozdní sklizeň ledového vína

10 °C

Sladké bílé ročnickové Sauternes

14 °C

Beaujolais

13 °C

Rulandské modré

16 °C

Ročnickové Rulandské modré

18 °C

Červený Cabernet, Merlot, francouzský, australský, novozélandský, chilský, argentinský, italský, španělský, kalifornský

18 °C

Red Grenache, Syrah

16 °C

Další informace o produktu naleznete na adrese <https://eprel.ec.europa.eu/> nebo naskenujte QR na energetickém štítku dodaném se zařízením

Español

Gracias por comprar este producto.

Antes de utilizar el frigorífico, lea con atención el manual de instrucciones para aprovechar al máximo sus prestaciones. Guarde toda la documentación para utilizarla más adelante o para otros propietarios. Este producto es para uso doméstico o para aplicaciones similares exclusivamente; por ejemplo:

- Cocina para el personal de tiendas, oficinas y otros lugares de trabajo
- Fincas rústicas, clientes de hoteles, moteles y otros entornos residenciales
- Habitaciones de huéspedes (Bed and Breakfasts)
- Servicios de catering y aplicaciones similares no destinadas a la venta al pormenor

Este electrodoméstico solo debe utilizarse para conservar alimentos, cualquier otro uso se considera peligroso y el fabricante no se responsabilizará cuando se incumplan las instrucciones. Asimismo, se recomienda tomar nota de las condiciones de la garantía.

INFORMACIÓN DE SEGURIDAD

¡Lea atentamente las instrucciones de funcionamiento e instalación! Contienen información importante sobre cómo instalar, utilizar y mantener este electrodoméstico. El fabricante no se hace responsable si no cumple las instrucciones y advertencias. Guarde todos los documentos para consultas o propietarios futuros."

- **No conecte el electrodoméstico a la red eléctrica hasta retirar por completo todos los embalajes y protectores para el transporte. Mantenga a los niños alejados del embalaje y de sus partes. ¡Los cartones plegables y el film plástico suponen un peligro de asfixia!"**
- **Si el electrodoméstico se ha transportado en horizontal, espere al menos 4 horas antes de encenderlo para que el aceite del compresor se asiente.**
- **Cuando reciba el electrodoméstico, compruebe que no está dañado y que todos los componentes y accesorios se encuentran en perfecto estado.**
- **No dañe el circuito de refrigerante.**
- **Mantenga despejadas las ranuras de ventilación de la carcasa del electrodoméstico o de la estructura integrada.**
- **No utilice agua para limpiar la zona del compresor; pase meticulosamente un trapo seco después de limpiar para evitar que se oxide.**
- **Este electrodoméstico es pesado: manipúlelo con la ayuda de otra persona.**
- **Instale y nivele el electrodoméstico en un área adecuada para su tamaño y uso.**
- **Asegúrese de que la información eléctrica de la etiqueta de características coincida con la fuente de alimentación. Si no es así, póngase en contacto con un electricista.**

- Este electrodoméstico funciona mediante una fuente de alimentación de 220-240 V CA/50 Hz. Una fluctuación anormal del voltaje puede provocar que el electrodoméstico no se ponga en marcha, o que se dañe el control de temperatura o el compresor, o que se oiga un ruido anormal durante el funcionamiento. En tal caso, se deberá instalar un regulador automático.
- Solo para el Reino Unido: El cable de alimentación de este electrodoméstico está equipado con un enchufe de 3 cables (a tierra) que se ajusta a una toma de corriente estándar de 3 cables (a tierra). No corte ni desmonte la tercera patilla (toma de tierra). Una vez instalado el electrodoméstico, el enchufe debe ser accesible.
- Asegúrese de que el cable eléctrico no quede atrapado debajo el electrodoméstico durante y después de su transporte/traslado para evitar cortes o daños en el cable. Para evitar riesgos, el fabricante, su representante de servicio o cualquier otra persona cualificada deben cambiar cualquier cable de alimentación que esté dañado
- No instale el electrodoméstico en lugares húmedos, con grasa o polvo, ni lo exponga a la luz solar directa y al agua.
- No instale el electrodoméstico cerca de calentadores o materiales inflamables.
- PARA electrodomésticos con compartimento congelador: en caso de corte del suministro eléctrico, no abra la puerta. Los alimentos congelados no deben verse afectados si el corte dura menos que las horas indicadas en la etiqueta de valores máximos (tiempo de aumento de la temperatura). Si el corte se prolonga durante más tiempo, deberá procederse a la comprobación de los alimentos y consumirse de inmediato; también se pueden cocinar y volver a congelar.
- Si le resulta difícil abrir la puerta del electrodoméstico justo después de cerrarla, no se preocupe. Esto se debe a la diferencia de presión que deberá ecualizarse para permitir que la puerta vuelva a abrirse normalmente transcurridos unos minutos.
- No almacene medicamentos, bacterias ni agentes químicos en el electrodoméstico. Este aparato es un electrodoméstico: no se recomienda almacenar materiales que requieran temperaturas extremas.
- No tire del cable ni doble demasiado; tampoco debe tocar el enchufe con las manos mojadas.
- No almacene productos que contengan propelentes inflamables (p.ej.: aerosoles) o sustancias explosivas en el electrodoméstico. ¡ Peligro de explosión!

- **No coloque artículos inestables (objetos pesados, recipientes llenos de agua) en la parte superior del frigorífico, a fin de evitar lesiones personales causadas por caídas o descargas eléctricas causadas por el contacto con el agua.**
- **No utilice aparatos eléctricos dentro de los compartimentos para la conservación de alimentos del electrodoméstico, a menos que sean del tipo que recomienda el fabricante.**
- **Para evitar cortes o lesiones, no toque los elementos internos de refrigeración, sobre todo con las manos húmedas.**
- **Aquí están en riesgo los niños, las personas con capacidades físicas, mentales o sensoriales limitadas y las personas con conocimientos inadecuados sobre el funcionamiento seguro de este electrodoméstico. Compruebe que los niños y las personas vulnerables hayan entendido los riesgos. Una persona responsable de la seguridad debe supervisar o instruir a los niños y a las personas vulnerables que utilicen este electrodoméstico. Solo los niños mayores de 8 años pueden usar este electrodoméstico.**
- **Los niños no deben jugar con el electrodoméstico**
- **Está permitido que los niños de 3 a 8 años de edad carguen o descarguen este aparato.**
- **PARA electrodomésticos con compartimento congelador: no almacene líquidos embotellados o enlatados (especialmente bebidas carbonatadas) en el congelador. ¡Las botellas y latas pueden explotar!**
- **PARA electrodomésticos con compartimento congelador: nunca se ponga alimentos congelados en la boca directamente desde el congelador. ¡Peligro de quemaduras por baja temperatura!**
- **Mantenga las piezas de plástico y la junta de la puerta limpias de aceite y grasa. De lo contrario, las partes plásticas y la junta de la puerta se volverán porosas.**
- **Antes de realizar cualquier operación, desconecte el cable eléctrico de la toma de corriente.**
- **No utilice aparatos mecánicos ni otros medios para acelerar el proceso de descongelación y siga las recomendaciones del fabricante.**
- **No utilice objetos afilados o puntiagudos, como cuchillos o tenedores, para quitar el hielo. Nunca utilice secadores de pelo, calentadores eléctricos u otros aparatos eléctricos para descongelar el electrodoméstico.**
- **Se recomienda mantener limpio el enchufe. Cualquier acumulación excesiva de polvo en el enchufe podría originar un incendio.**

- **No intente reparar, desmontar o modificar este electrodoméstico por su cuenta. En caso de necesitar reparación, póngase siempre en contacto con nuestro servicio de atención al cliente.**
- **Supervise a los niños mientras se realizan tareas de limpieza o mantenimiento en el electrodoméstico.**
- **No limpie los estantes de cristal fríos con agua caliente. El cambio repentino de temperatura puede causar que el vidrio se rompa.**
- **ADVERTENCIA: Los tubos del circuito de refrigeración transportan una pequeña cantidad de refrigerante ecológico pero inflamable (R600a) y gas aislante (ciclopentano). No daña la capa de ozono y no aumenta el efecto invernadero. Si se producen fugas de refrigerante, este puede causar lesiones en los ojos o inflamarse.**
- **En caso de producirse daños en el circuito de refrigerante:**
 - **Apague el electrodoméstico y desenchúfelo de la red eléctrica.**
 - **Mantenga las llamas abiertas y/o las fuentes de ignición alejadas del electrodoméstico.**
 - **Ventile la habitación durante varios minutos.**
 - **Informe al servicio de atención al cliente.**
- **ADVERTENCIA: No dañe el enchufe o el cable de alimentación; esto podría provocar incendios o descargas eléctricas.**
- **ADVERTENCIA: No utilice tomas de corriente múltiples portátiles ni fuentes de alimentación portátiles. No recomendamos el uso de cables prolongadores ni adaptadores con varias tomas.**
- **No intente sentarse o ponerse de pie en la parte superior del electrodoméstico. Esto podría dañarlo o sufrir lesiones personales. Este electrodoméstico no se puede instalar apilado sobre otro.**
- **El electrodoméstico es un producto diseñado y fabricado para el uso doméstico.**
- **Solo pueden usarse piezas originales suministradas por el fabricante. El fabricante garantiza que solo estas piezas cumplen los requisitos de seguridad.**
- **Abrir la puerta durante un tiempo prolongado puede provocar un aumento significativo de la temperatura en los compartimentos del electrodoméstico**
- **Limpie regularmente las superficies que puedan entrar en contacto con alimentos y sistemas de drenaje accesibles**
- **Limpie los depósitos de agua si no se han utilizado durante 48 horas. Enjuague el sistema de agua conectado al suministro de agua si no se ha extraído agua durante 5 días**
- **Guarde la carne y el pescado crudos en recipientes adecuados en el frigorífico, para evitar que entren en contacto con otros alimentos o goteen sobre ellos**

- **Los compartimentos de congelación de dos estrellas (si el aparato dispone de ellos) son adecuados para conservar alimentos precongelados, guardar o hacer helados y producir cubitos de hielo**
- **Los compartimentos de una, dos y tres estrellas (si el aparato dispone de ellos) no son adecuados para congelar alimentos frescos**
- **Para evitar la aparición de moho, el aparato se debe apagar, descongelar, limpiar y secar, además de dejar la puerta abierta, cuando vaya a permanecer vacío durante largos periodos de tiempo**
- **En el caso de los armarios para la conservación de vinos: Aparato destinado a utilizarse exclusivamente para la conservación de vinos**
- **En el caso de los aparatos de libre instalación: Este aparato no está destinado a utilizarse como aparato encastrable**
- **En el caso de los aparatos sin compartimento de cuatro estrellas: Este aparato no es adecuado para la congelación de productos alimenticios**

Desguace de electrodomésticos antiguos



Este electrodoméstico tiene la marca de conformidad con la Directiva europea 2012/19/UE sobre residuos de aparatos eléctricos y electrónicos (RAEE).

Los RAEE contienen sustancias contaminantes (que pueden tener consecuencias negativas para el medio ambiente) y componentes básicos (que pueden reutilizarse). Es importante someter los RAEE a procedimientos específicos para eliminar y desechar de manera correcta todos los contaminantes, además de recuperar y reciclar todos los materiales.

Todos personalmente somos importantes cuando se trata de garantizar que los RAEE no se conviertan en un problema ambiental. Para esto, es fundamental respetar algunas reglas básicas:

- Los RAEE no deben tratarse como residuos domésticos.
- Los RAEE deben entregarse en los puntos de recogida pertinentes que gestionan los municipios o las empresas autorizadas. En algunos países existe un servicio de recogida de RAEE de gran tamaño.

En muchos países se puede entregar el electrodoméstico antiguo al comprar otro nuevo en el establecimiento, que deberá recogerlo de forma gratuita siempre que se trate de un aparato equivalente y que tenga las mismas funciones que el suministrado.

Conformidad

Al colocar la marca **CE** en este producto, declaramos, bajo nuestra propia responsabilidad, el cumplimiento de todos los requisitos europeos en términos de seguridad, salud y medio ambiente, establecidos en la legislación para este producto.

Garantía

La garantía mínima es: 2 años para los países de la UE, 3 años para Turquía, 1 año para el Reino Unido, 1 año para Rusia, 3 años para Suecia, 2 años para Serbia, 5 años para Noruega, 1 año para Marruecos y 6 meses para Argelia. En Túnez no se requiere garantía legal.

Ahorro energético

Para ahorrar más energía, recomendamos lo siguiente:

- Instale el electrodoméstico en un lugar con buena ventilación, que esté lejos de fuentes de calor y no quede expuesto a la luz solar directa.
- Procure no guardar alimentos calientes en el frigorífico para evitar que la temperatura interior aumente y el compresor funcione de manera continua.
- No introduzca demasiados alimentos para garantizar una circulación de aire adecuada.
- Descongele el electrodoméstico si tiene hielo para facilitar la transferencia del frío.
- Si se corta la corriente eléctrica, es aconsejable mantener las puertas del frigorífico cerradas.
- Abra las puertas o manténgalas abiertas lo menos posible.
- Evite ajustar temperaturas demasiado bajas.
- Elimine el polvo de la parte trasera del electrodoméstico.

INSTRUCCIONES DE INSTALACIÓN

➤ Antes de utilizar la cámara de vinos

- Quite el embalaje exterior e interior.
- Antes de conectar la cámara de vinos a la corriente, deje que repose en vertical durante 2 horas aproximadamente. Esto reducirá la probabilidad de que la manipulación durante el transporte ocasione averías en el sistema de refrigeración.
- Limpie las superficies interiores con un paño suave humedecido en agua templada.
- Este electrodoméstico está diseñado para su uso en el hogar y en aplicaciones parecidas, como:
 - zonas de cocina para empleados en negocios, oficinas y otros entornos laborales;
 - granjas y por clientes de hoteles, moteles y otros establecimientos de tipo residencial;
 - otros establecimientos de hospedaje;
 - servicios de catering y otras aplicaciones similares no minoristas.
- Cuando deseche el electrodoméstico, hágalo en un centro autorizado.

➤ Instalación de la cámara de vinos

- Este electrodoméstico está diseñado para instalarse de manera autónoma o integrado (completamente empotrado) (consulte la pegatina de la parte trasera de este electrodoméstico).
- **Este aparato está diseñado para guardar vino o bebidas exclusivamente.**
- Coloque la cámara de vinos en el suelo, en un lugar que pueda soportar su peso cuando está completamente lleno. Para nivelar la cámara de vinos, ajuste la pata delantera de la parte inferior de la cámara.
- Este electrodoméstico utiliza refrigerante inflamable. La tubería de refrigerante no debe dañarse durante el transporte. Sitúe la cámara de vinos lejos de la luz solar directa y de fuentes de calor (estufas, calentadores, radiadores, etc.). La luz del sol puede afectar al revestimiento acrílico, mientras que las fuentes de calor pueden provocar un aumento del consumo de electricidad. Una temperatura ambiente muy fría también puede hacer que el aparato no funcione correctamente.
- Evite instalar el aparato en zonas húmedas.
- Conecte la cámara en una toma de pared correctamente conectada a tierra y exclusiva. Bajo ninguna circunstancia deberá cortarse ni quitarse la tercera clavija del cable de alimentación. Si tiene cualquier duda o pregunta sobre alimentación o tomas de tierra, consulte a un electricista cualificado o a un centro de servicio técnico autorizado.

➤ Atención

- Guarde el vino en botellas herméticamente cerradas.
- No sobrecargue el armario.
- No abra la puerta a menos que sea necesario.
- No cubra los estantes con papel de aluminio o cualquier otro material que pueda obstaculizar la circulación del aire.
- Cuando la cámara vaya a permanecer sin utilizar durante largos periodos de tiempo, se recomienda dejar la puerta entreabierta después de efectuar una limpieza exhaustiva para permitir la circulación de aire por el interior del armario con el fin de evitar que se genere condensación, moho o malos olores.

➤ Límites de temperatura ambiente del lugar

Este electrodoméstico está diseñado para funcionar a la temperatura ambiente especificada para la clase de temperatura que se indica en la placa de características.





- Templada extendida (SN): «Aparato de refrigeración destinado a utilizarse a temperaturas ambiente de entre 10 °C y 32 °C»
- Templada extendida (SN): «Aparato de refrigeración destinado a utilizarse a temperaturas ambiente de entre 10 °C y 32 °C»

- Subtropical (ST): «Aparato de refrigeración destinado a utilizarse a temperaturas ambiente de entre 16 °C y 38 °C»
- Tropical (T): «Aparato de refrigeración destinado a utilizarse a temperaturas ambiente de entre 16 °C y 43 °C»





FUNCIONAMIENTO DE SU CÁMARA DE VINOS Y CONFIGURACIÓN DEL MANDO DE TEMPERATURA

➤ **Instrucciones del sistema de control**



- Botón “”
Para encender y apagar el electrodoméstico. (Mantenga pulsado este botón durante 3 segundos aproximadamente).
- Botón “”
Para aumentar (calentar) la temperatura en incrementos de 1 °C
- Botón “”
Para bajar (enfriar) la temperatura en incrementos de 1 °C
- Botón “”
Para encender y apagar la luz interior.
- **Luz indicadora**
Compresor en pantalla de operación
- **Ventana de visualización LED**
Para mostrar la temperatura establecida.

➤ **Ajuste de los mandos de temperatura**

- Para ajustar la temperatura, conecte el cable eléctrico en una toma correctamente conectada a tierra. Si se produce un corte de corriente, el ajuste de temperatura anterior se borra automáticamente y se establece en un valor prefijado de 12 °C.
- Con los botones situados junto a los indicadores “” o “” puede ajustar la temperatura de refrigeración que desee. Cada vez que pulse los botones, se desplazará por los ajustes de temperatura disponibles en intervalos de 1 °C.
- La temperatura puede ajustarse entre 5 °C y 18 °C.
- Para averiguar cuál es la temperatura interior real, mantenga pulsado el botón “” o “” durante 3 segundos. El LED parpadeará y se indicará la temperatura actual. Cuando deje de pulsar el botón durante 5 segundos, la figura del LED dejará de parpadear y volverá a mostrarse la temperatura establecida.
LED parpadeando = Temperatura del armario
LED fijo = Temperatura establecida

➤ **Luz Interior**

Para reducir el consumo de electricidad, la luz LED del armario de vinos se apagará automáticamente después de 10 minutos.

Si prefiere que la luz LED permanezca encendida continuamente, esto es posible. Mantenga pulsada la parte inferior de "LUZ" durante 5 segundos; la pantalla mostrará "LP". Después de 4 segundos, la pantalla volverá a la normalidad y la luz permanecerá encendida hasta que se apague manualmente. Si desea anular esto y ahorrar energía (recomendado), mantenga pulsado el botón "LUZ" durante 5 segundos; la pantalla mostrará "LF". Después de 4 segundos, la pantalla volverá a la normalidad y la luz se apagará automáticamente después de 10 minutos.

➤ **Alarma de temperatura**

Si la temperatura interior supera los 23 °C, aparecerá "HI" en el panel de visualización; después de una hora sonará la alarma / zumbador . Esto indica que la temperatura interior es demasiado alta. Cuando la temperatura interior es inferior a 0 °C, se mostrará "LO" en el panel de visualización y al mismo tiempo se activarán la alarma y el indicador de mal funcionamiento .

➤ **Función de recuperación de temperatura**

En caso de corte eléctrico, en enfriador de vinos puede recordar los ajustes de temperatura anteriores. La temperatura del enfriador volverá a la configuración anterior cuando se restablezca la corriente.

➤ **NOTA:**

- Si el aparato se desenchufa, se corta la corriente o se apaga, hay que esperar de 3 a 5 minutos antes de encenderlo de nuevo. Si intenta ponerlo en marcha antes de que transcurra este intervalo de tiempo, la cámara de vinos/bebidas no se encenderá.
- Cuando utilice la cámara de vinos/bebidas por primera vez o la encienda después de tenerla apagada durante mucho tiempo, puede producirse una diferencia de unos cuantos grados entre la temperatura seleccionada y la indicada en el LED. Esto es normal y se debe a la duración del tiempo de activación. La cámara de vinos/bebidas volverá a la normalidad después de una horas funcionando.

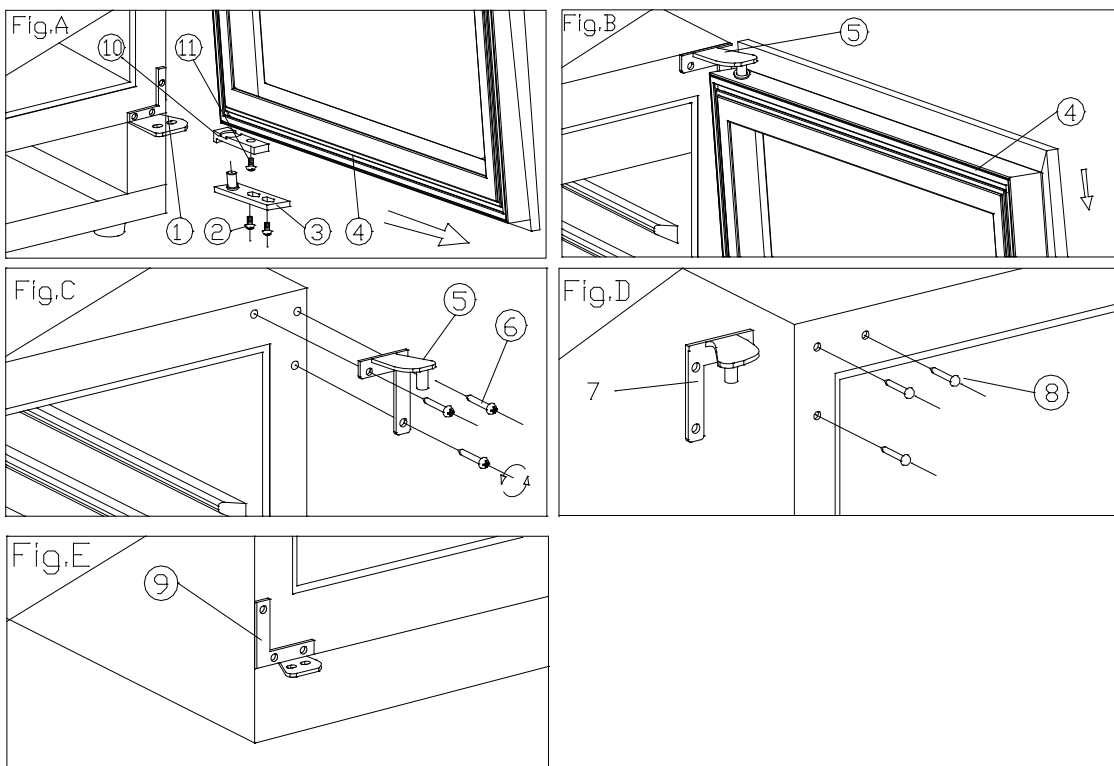
➤ Cómo cambiar la apertura de la puerta

Este electrodoméstico tiene puertas reversibles, pero se suministra con las puertas a la derecha. Con el electrodoméstico se suministra un kit para instalar las bisagras a la izquierda (en una caja) por si desea cambiar el sentido de apertura.

Tipo A (para puerta de vidrio / acero inoxidable)

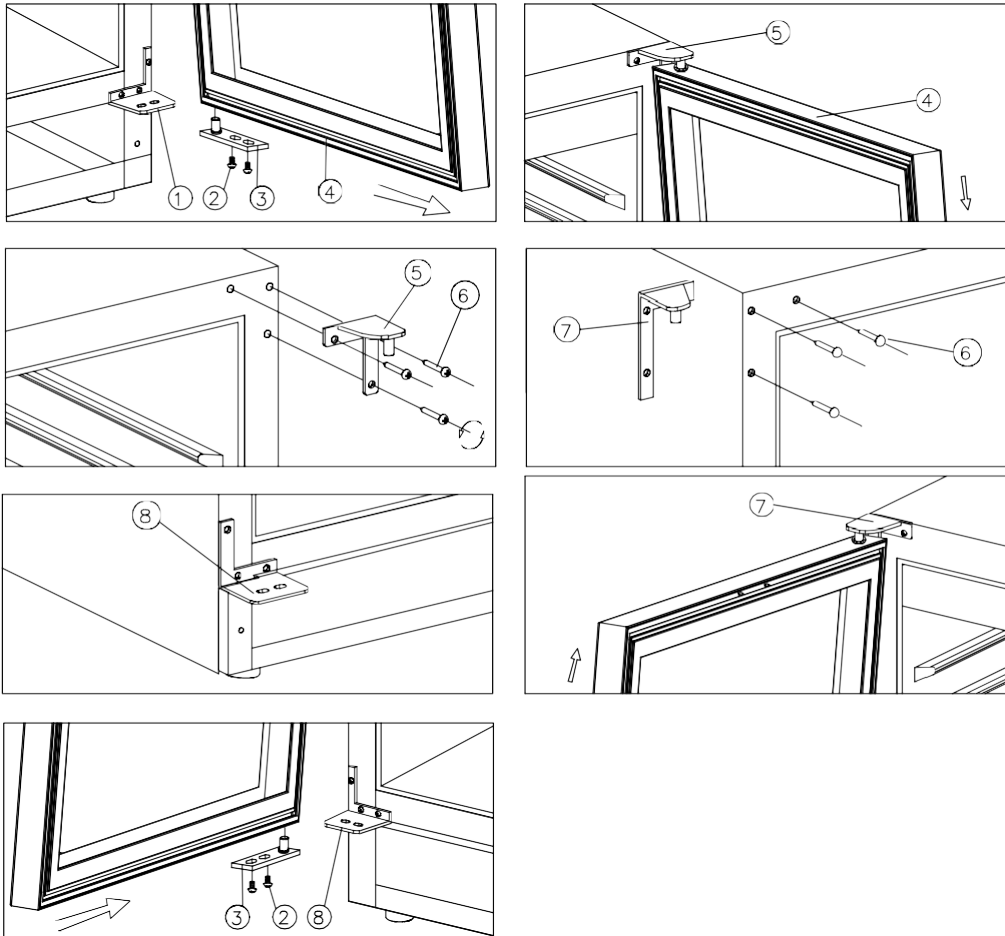
1. Bisagra inferior (derecha)	2 . Tornillos	3 .Eje de la puerta
4. Puerta	5. Bisagra superior (derecha)	6. Tornillos de bisagras
7. Bisagra superior (izquierda)	8. Tapa de orificio	9. Bisagra inferior (izquierda)
10. Dispositivo de tope de puerta	11. Tornillo	

1. Abra la puerta 90 grados, quite los 2 tornillos (2) del eje de la puerta inferior (3), quite la puerta (4) y retire la placa del eje (3) de la puerta (Fig. A).
2. Suelte el tornillo (11) situado debajo del marco de la puerta y el dispositivo de tope (10) e instálelos en el lado izquierdo del marco de la puerta. (Fig. A/B)
3. Quite los 3 tornillos de bisagra (6) de la bisagra superior (derecha) (5) y desinstálela. (Fig. C)
4. Quite el clavo decorativo (8) de la parte superior izquierda del armario e instale la bisagra superior de repuesto (izquierda) (7) en la parte superior izquierda del armario con 3 tornillos. (Fig. D)
5. Instale la bisagra inferior de repuesto en el lado izquierda (9) como se indica en el procedimiento anterior. (Fig. E)
6. Instale y alinee la puerta.
7. Coloque las tapas de plásticos para cubrir los agujeros (8).



Tipo B (para puerta delgada de acero inoxidable)

- | | | |
|---------------------------------|---------------------------------|------------------|
| 1. Bisagra inferior (derecha) | 2. Tornillos | 3. Eje de puerta |
| 4. Puerta | 5. Bisagra superior (derecha) | 6. Tornillos |
| 7. Bisagra superior (izquierda) | 8. Bisagra inferior (izquierda) | |

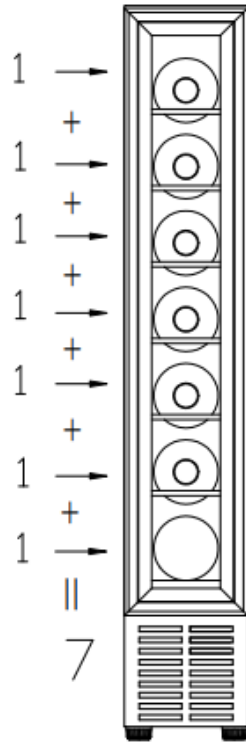


1. Retire 2 tornillos (2) y luego tire de la puerta (4) según la dirección de la flecha y de la bisagra inferior (derecha) (1), también para el montaje. (Fig.A y Fig.B)
2. Retire 3 tornillos (6) de la bisagra superior derecha y luego retire la bisagra superior derecha (5) y la bisagra inferior derecha (1). (Ver fig.C)
3. Utilice los tornillos que retiró de las bisagras del lado derecho para fijar las bisagras superior e inferior del lado izquierdo (7)(8). (Ver Fig.D y Fig.E)
4. Gire la puerta 180 grados y luego ensamble la puerta en orden contrario al de extracción.

➤ **Diagrama de almacenamiento**

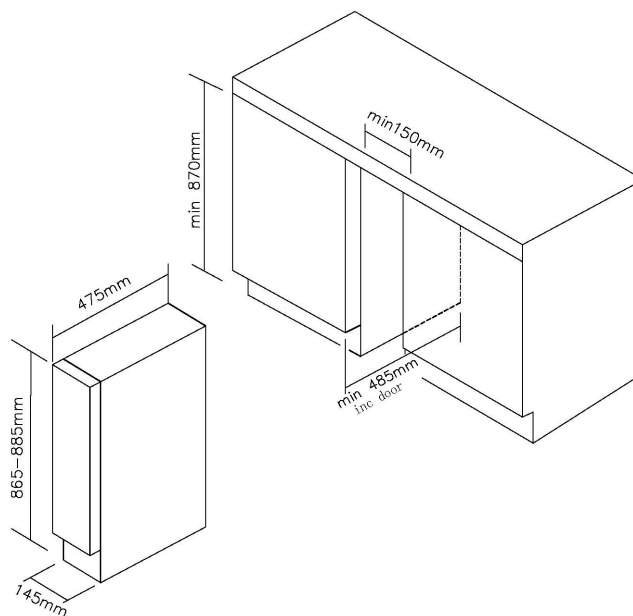
Compruebe el diagrama de almacenamiento relacionado con la configuración real del producto.

Para altura de 865 mm
Total: 7 botellas (máx.)



La configuración que ahorra más energía requiere colocar estantes en el producto. Consulta las imágenes anteriores.

➤ **Especificaciones de instalación empotrada**



CUIDADO Y MANTENIMIENTO

➤ Limpieza de la cámara de vinos

- Apague y desenchufe la cámara de vinos. A continuación, extraiga todos los elementos, incluidos los estantes y la rejilla.
- Limpie las superficies interiores con una solución de agua caliente y bicarbonato sódico. Para preparar la solución deben utilizarse 2 cucharadas de bicarbonato por cada cuarto de litro de agua.
- Limpie los estantes con una solución de detergente suave.
- Escurra bien la esponja o el trapo cuando limpie la zona de los mandos o cualquier componente eléctrico.
- Limpie el exterior del armario con agua caliente y detergente líquido suave. Aclare bien y seque con un paño suave que esté limpio.

➤ Corte de electricidad

- La mayoría de los fallos eléctricos se solucionan en unas cuantas horas y no deberían afectar a la temperatura del aparato si abre muy pocas veces la puerta. Si el suministro de electricidad queda interrumpido durante un periodo de tiempo más largo, deberá tomar las medidas necesarias para proteger los contenidos almacenados.

➤ Vacaciones

- **Vacaciones cortas:** deje la cámara de vinos encendida durante las vacaciones de menos de tres semanas de duración.
- **Vacaciones largas:** si el aparato no se va a utilizar durante varios meses, saque todos los elementos y apáguelo. Limpie y seque meticulosamente el interior. Para evitar la aparición de moho y malos olores, deje la puerta ligeramente entreabierta; bloquéela si fuera necesario.

➤ Desplazamiento de la cámara de vinos

- Extraiga todos los elementos.
- Asegure con cinta todos los elementos sueltos (estantes) del interior del aparato.
- Recoja la pata ajustable en la base para evitar daños.
- Cierre la puerta con cinta.
- Asegúrese de que el aparato permanece seguro en posición vertical durante el transporte. Proteja también el exterior del aparato con una manta o similar.

➤ Consejos para ahorrar energía

- La cámara de vinos debe situarse en el lugar más fresco de la sala, lejos del calor que generan los aparatos y de la luz solar directa.

¿PROBLEMAS CON LA CÁMARA DE VINOS/BEBIDAS?

Puede solucionar fácilmente muchos de los problemas comunes de la cámara de vinos/bebidas y ahorrarse el coste de la llamada al servicio técnico. Antes de llamar al servicio técnico, intente resolver el problema siguiendo las recomendaciones que se indican a continuación.

GUÍA DE SOLUCIÓN DE PROBLEMAS

PROBLEMA	POSIBLE CAUSA
La cámara de vinos/bebidas no funciona.	No está enchufada. El electrodoméstico está apagado. Disyuntor desconectado o fusible quemado.
La cámara de vinos/bebidas no enfría lo suficiente.	Compruebe el ajuste del mando de temperatura. Dependiendo de las condiciones ambientales, es posible que deba seleccionar una configuración diferente. La puerta se abre con demasiada frecuencia. La puerta no está cerrada del todo. La junta de la puerta no crea un cierre estanco.
Se enciende y se apaga con frecuencia.	La temperatura ambiente es más alta de lo normal. Se ha introducido una gran cantidad de cosas en la cámara de vinos/bebidas. La puerta se abre con demasiada frecuencia. La puerta no está cerrada del todo. El mando de temperatura no se ha configurado correctamente. La junta de la puerta no crea un cierre estanco.
La luz no funciona.	No está enchufada. Disyuntor desconectado o fusible quemado. La bombilla se ha quemado. La luz está apagada.
Vibraciones.	Compruebe que la cámara de vinos/bebidas está plana.
Parece que la cámara de vinos/bebidas hace demasiado ruido.	Las vibraciones pueden deberse al flujo de refrigerante, lo cual es normal. Al final de cada ciclo, puede escuchar el sonido que produce el flujo de refrigerante en la cámara de vinos/bebidas. La contracción y la expansión de las paredes internas puede producir estallidos o chasquidos. La cámara de vinos/bebidas no está nivelada.
La puerta no cierra correctamente.	La cámara de vinos/bebidas no está nivelada. La puerta se ha cambiado de lado y se ha instalado correctamente. La junta está sucia. Los estantes no están en su sitio.

Para ponerse en contacto con la asistencia técnica, visite nuestro sitio web: <https://corporate.haier-europe.com/en/>. En la sección "websites", elija la marca de su producto y su país. Serás redirigido al sitio web específico donde podrás encontrar el número de teléfono y el formulario para contactar con la asistencia técnica.

➤ **DISPONIBILIDAD DE REPUESTOS**

- Termostatos, sensores de temperatura, placas de circuitos impresos y fuentes luminosas, durante un período de, como mínimo, siete años tras la introducción en el mercado de la última unidad del modelo.
- Mangos de puerta, bisagras, bandejas y cestos, durante un período de, como mínimo, siete años, y juntas de puerta durante un período de, como mínimo, diez años tras la introducción en el mercado de la última unidad del modelo;

AJUSTES de temperatura recomendados

Para almacenar TODO TIPO DE VINOS 12 °C to 14 °C

Para almacenar TODO TIPO DE VINOS

Champán NV, espumoso 6 °C

Champán Vintage 10 °C

Blanco seco con semillón, Sauvignon Blanc 8 °C

Blanco Gewürztraminer seco, Riesling 10 °C

Blanco Chardonnay seco 10 °C

Chardonnay Vintage 14 °C

Vino dulce Sauternes Monbazillac, uvas heladas de cosecha tardía 10 °C

Vinos dulces origen Sauternes 14 °C

Beaujolais 13 °C

Pinot Noir 16 °C

Tinto Pinot Noir Vintage 18 °C

Tinto Cabernet, Merlot, francés, australiano, neozelandés, chileno, argentino, italiano, español, californiano 18 °C

Tinto Garnacha, Syrah 16 °C

Para más información sobre el producto, consulte <https://eprel.ec.europa.eu/> o escanee el QR en la etiqueta energética suministrada con el aparato.

Français

Nous vous remercions d'avoir acheté ce produit.

Avant d'utiliser votre réfrigérateur, veuillez lire attentivement ces instructions d'utilisation afin de maximiser ses performances. Conservez cette documentation pour pouvoir vous y référer ultérieurement ou pour les éventuels futurs propriétaires. Ce produit est destiné uniquement à un usage domestique ou autres usages similaires tels que :

- l'espace cuisine réservé au personnel dans un magasin, des bureaux ou autres lieux de travail,
- dans les fermes-auberges, pour la clientèle des hôtels, motels et autres lieux de type résidentiel,
- dans les chambres d'hôtes,
- chez la restauration et autres services similaires, ce produit ne convient pas à la vente au détail.

Cet appareil doit être utilisé uniquement pour conserver de la nourriture ; tout autre usage est considéré comme dangereux et le fabricant ne sera pas tenu responsable en cas de mauvaise utilisation. Il est donc recommandé de prendre connaissance des conditions de garantie.

INFORMATIONS DE SÉCURITÉ

Veuillez lire attentivement les instructions d'utilisation et d'installation ! Elles contiennent des informations importantes sur l'installation, l'utilisation et l'entretien de l'appareil. Le fabricant n'est pas responsable si vous ne respectez pas les instructions et avertissements.

Conservez tous les documents pour une utilisation ultérieure ou pour le propriétaire suivant.

- **Ne branchez pas l' appareil à l'alimentation électrique avant d' avoir retiré tous les protecteurs d'emballage et de transport. Tenez les enfants à l' écart de l'emballage et de ses parties. Risque de suffocation provenant de cartons pliants et de film plastique !**
- **Laisser reposer pendant au moins 4 heures avant la mise en marche pour permettre à l'huile du compresseur de se déposer si le compresseur même est transportée horizontalement.**
- **À la livraison, vérifiez que le produit n'est pas endommagé et que toutes les pièces et accessoires sont en parfait état.**
- **N'endommagez pas le circuit réfrigérant.**
- **N'obstruez pas les orifices d'aération dans l'appareil ou dans la structure dans laquelle il est intégré.**
- **Ne jamais utiliser d'eau pour laver la position du compresseur, l'essuyer soigneusement avec un chiffon sec après le nettoyage pour éviter la rouille.**
- **Manipulez toujours l'appareil avec au moins deux personnes parce qu'il est lourd.**
- **Installez et mettez à niveau l'appareil dans une zone adaptée à sa taille et à son utilisation.**
- **Assurez-vous que les informations électriques figurant sur la plaque signalétique sont conformes à l'alimentation électrique. Si ce n'est pas le cas, contactez un électricien.**

- **L'appareil est alimenté par une alimentation de 220-240 VCA/50 Hz. Les variations anormales de tension peuvent provoquer l'arrêt de l'appareil ou endommager le régulateur de température ou le compresseur, ou il peut y avoir un bruit anormal lors du fonctionnement. Dans ce cas, un régulateur automatique doit être monté.**
- **Uniquement pour le Royaume-Uni : Le cordon d'alimentation de l'appareil est équipé d'une fiche 3 pôles (de mise à la terre) qui s'adapte à une prise standard 3 pôles (de mise à la terre). Ne coupez jamais ou ne démontez jamais la troisième broche (mise à la terre). Une fois l'appareil installé, la fiche doit être accessible.**
- **Veillez à ce que le câble de réseau ne soit pas coincé sous l'appareil pendant et après le transport ou le déplacement de l'appareil, afin d'éviter que le câble de réseau ne soit coupé ou endommagé. Si le câble d'alimentation est endommagé, il doit être remplacé par le fabricant, son agent d'entretien ou des personnes possédant le même type de qualification, afin d'éviter tout risque.**
- **N'installez pas l'appareil dans un endroit humide, graisseux ou poussiéreux et ne l'exposez pas à la lumière directe du soleil ni à l'eau.**
- **N'installez pas l'appareil à proximité de sources de chaleur ou de matériaux inflammables**
- **POUR les appareils équipés d'un compartiment congélateur : en cas de panne de courant, n'ouvrez pas le couvercle. Les aliments congelés ne devraient pas être affectés si la panne dure moins que les heures indiquées sur l'étiquette signalétique (temps de montée en température). Si la panne dure plus longtemps, alors il convient de vérifier les aliments et de les manger immédiatement ou bien de les cuire et de les congeler à nouveau.**
- **Si vous trouvez que le couvercle de l'appareil est difficile à ouvrir juste après l'avoir fermé, ne soyez pas inquiet. Cela vient de la différence de pression qui doit s'égaliser et permettre au couvercle de s'ouvrir normalement après quelques minutes.**
- **Ne conservez pas de médicaments, de bactéries ou d'agents chimiques dans l'appareil. Cet appareil est un appareil électroménager, il n'est pas recommandé de stocker des produits qui nécessitent des températures strictes.**
- **Ne tirez pas et ne pliez pas excessivement le cordon d'alimentation et ne touchez pas la prise avec les mains mouillées.**
- **Ne conservez pas des produits contenant des gaz propulseurs inflammables (par ex. des bombes de pulvérisation) ou des substances explosives dans l'appareil. Risque d'explosion !**

- **Ne placez pas d'objets instables (objets lourds, récipients remplis d'eau) sur le dessus du réfrigérateur, pour éviter les blessures corporelles causées par une chute ou une électrocution causée par le contact avec de l'eau.**
- **N'utilisez pas d'appareils électriques dans les compartiments de conservation des aliments de l'appareil, excepté s'ils sont du type recommandé par le fabricant.**
- **Ne pas toucher les éléments de refroidissement internes, en particulier avec les mains mouillées, pour éviter les fissures ou les blessures.**
- **Les enfants, les personnes qui ont des capacités physiques, mentales ou sensorielles limitées, ainsi que les personnes qui ont des connaissances insuffisantes en matière de sécurité d'utilisation de l'appareil sont à risque. Vérifiez que les enfants et les personnes vulnérables ont compris les dangers. Une personne responsable de la sécurité doit surveiller les enfants et les personnes vulnérables qui utilisent l'appareil ou leur expliquer son fonctionnement. Seuls les enfants âgés de 8 ans et plus peuvent utiliser l'appareil.**
- **Les enfants ne doivent pas jouer avec l' appareil.**
- **Les enfants âgés de 3 à 8 ans sont autorisés à charger et à décharger l' appareil**
- **POUR les appareils avec compartiment congélateur : ne conservez pas de liquides en bouteille ou en canette (surtout les boissons gazeuses) dans le compartiment congélateur. Les bouteilles et les canettes peuvent éclater !**
- **POUR les appareils équipés d'un compartiment congélateur : ne placez jamais d'aliments congelés dans votre bouche juste après les avoir sortis du compartiment congélateur. Risque de brûlures à basse température !**
- **Gardez les pièces en plastique et le joint de porte exempt d'huile et de graisse. Dans le cas contraire, les pièces en plastique et le joint de porte deviendront poreux.**
- **Avant toute intervention, débranchez le cordon d'alimentation de la prise murale.**
- **N'utilisez pas d'outils mécaniques ou autres équipements pour accélérer le processus de dégivrage, autres que ceux recommandés par le fabricant.**
- **N'utilisez pas d'objets pointus ou tranchants tels que des couteaux ou des fourchettes pour enlever le givre. N'utilisez jamais de sèche-cheveux, de radiateurs électriques ou d'autres appareils électriques de ce type pour le dégivrage.**
- **Il est recommandé de maintenir la prise propre ; les résidus excessifs de poussière sur la prise peuvent provoquer un incendie.**

- **N'essayez pas de réparer, démonter ou modifier l'appareil vous-même. En cas de réparation, veuillez contacter notre service clientèle.**
- **Supervisez les enfants pendant le nettoyage ou l'entretien de l'appareil.**
- **Ne nettoyez pas les clayettes froides en verre à l'eau chaude. Un changement soudain de température peut casser le verre.**
- **AVERTISSEMENT : Les tubes du circuit de réfrigération transportent une petite quantité d'un frigorigène respectueux de l'environnement mais inflammable (R600a) et d'un gaz isolant (cyclopentane). Il n'endommage pas la couche d'ozone et n'augmente pas l'effet de serre. Si le réfrigérant s'échappe, il risque de blesser vos yeux ou de s'enflammer.**
- **En cas de dommages du circuit de réfrigérant :**
 - **Éteignez l'appareil et retirez la prise secteur ;**
 - **Tenez les flammes nues et/ou les sources d'inflammation loin de l'appareil ;**
 - **Ventilez complètement la pièce pendant plusieurs minutes ;**
 - **Informez le service clientèle.**
- **AVERTISSEMENT : N' endommagez pas la fiche et/ou le cordon d'alimentation ; cela pourrait provoquer des chocs électriques ou des incendies.**
- **AVERTISSEMENT : N'utilisez pas des systèmes multiprises portatifs ou des alimentations portatives. Nous ne recommandons pas l'utilisation de rallonges et d' adaptateurs multiples.**
- **N'essayez pas de vous asseoir ou de vous tenir debout sur le dessus de l'appareil. Vous pourriez vous blesser ou endommager l'appareil. Cet appareil n'est pas conçu pour être empilé avec d' autres appareils.**
- **L' appareil est conçu et construit pour un usage domestique uniquement.**
- **Seules les pièces d'origine fournies par le fabricant peuvent être utilisées. Le fabricant garantit que seules ces pièces satisfont aux exigences de sécurité.**
- **L' ouverture prolongée de la porte peut entraîner une hausse significative de la température dans les compartiments de l' appareil.**
- **Nettoyez régulièrement les surfaces entrant en contact avec les aliments et les systèmes d' évacuation accessibles.**
- **Nettoyez les réservoirs d' eau s' ils n' ont pas été utilisés pendant 48 h ; videz le circuit d' eau raccordé à une alimentation d' eau si l' eau n' a pas été tirée pendant 5 jours.**

- Placez la viande et le poisson crus dans des récipients adaptés avant de les mettre au réfrigérateur, afin qu' ils n' entrent pas en contact avec d' autres aliments ou ne gouttent pas dessus.
- Les compartiments de congélation « deux étoiles » (si présents dans l' appareil) sont adaptés à la conservation des aliments pré-congelés, à la conservation et à la fabrication des crèmes glacées et à la production des glaçons.
- Les compartiments « une, deux et trois étoiles » (si présents dans l' appareil) ne sont pas adaptés à la congélation des aliments frais.
- Si l' appareil doit rester vide pendant des périodes prolongées, mettez-le hors tension, dégivrez-le, nettoyez-le, séchez-le et laissez la porte ouverte pour éviter la formation de moisissures à l' intérieur
- Autres appareils de stockage du vin: Cet appareil est destiné uniquement au stockage du vin
- Pour un appareil à pose libre: Cet appareil de réfrigération n' est pas destiné à être utilisé comme un appareil intégrable
- Pour les appareils sans compartiment « quatre étoiles»: Cet appareil de réfrigération ne convient pas pour la congélation de denrées alimentaire

Mise au rebut des anciens appareils



Cet appareil comporte les symboles conformes à la directive européenne 2012/19/EU sur les déchets des équipements électriques et électroniques (DEEE).

DEEE couvre à la fois les substances polluantes (pouvant avoir des retombées négatives sur l'environnement) et les composants de base (pouvant être ré-utilisés). Il est important de soumettre les déchets DEEE à des traitements spécifiques, afin d'enlever et éliminer tous les polluants de manière adéquate et de récupérer et recycler tous les matériaux.

Toute personne peut jouer un rôle important en veillant à ce que les déchets DEEE ne deviennent pas un problème environnemental ; pour cela, il est essentiel de suivre quelques règles de base :

- Les DEEE ne doivent pas être traités comme des déchets ménagers ;
- Les DEEE doivent être remis aux points de collecte appropriés gérés par la municipalité ou par des sociétés reconnues. Dans de nombreux pays, pour des DEEE encombrants, la collecte à domicile peut être organisée.

Dans de nombreux pays, lorsque vous achetez un nouvel appareil, l'ancien peut être retourné au détaillant qui est en devoir de le récupérer sans frais de manière individualisée, tant que l'équipement est de type équivalent et a les mêmes fonctions que l'équipement fourni.

Conformité

En apposant la marque **CE** sur ce produit, nous confirmons la conformité à toutes les obligations européennes concernant la protection de l'environnement et de la santé et de la sécurité, applicables selon la loi à ce produit.

Garantie

La garantie minimale est : 2 ans pour les pays de l'UE, 3 ans pour la Turquie, 1 an pour le Royaume-Uni, 1 an pour la Russie, 3 ans pour la Suède, 2 ans pour la Serbie, 5 ans pour la Norvège, 1 an pour le Maroc, 6 mois pour l'Algérie, pas de garantie légale requise pour la Tunisie.

Économies d'énergie

Pour faire davantage d'économies d'énergie nous suggérons :

- Installez l'appareil dans un endroit bien aéré, loin de sources de chaleur et ne l'exposez pas à la lumière directe du soleil.
- Évitez de mettre de la nourriture chaude dans le réfrigérateur pour éviter d'accroître la température intérieure et, par conséquent, de faire fonctionner le compresseur en permanence.
- Ne tassez pas trop les denrées conservées de manière à garantir une circulation de l'air correcte.
- Si de la glace s'est formée, dégivrez l'appareil pour faciliter le transfert du froid.
- En cas de coupure de l'alimentation électrique, il est conseillé de garder la porte du réfrigérateur fermée.
- Ouvrez ou laissez la porte du réfrigérateur ouverte le moins possible.
- Évitez de régler le thermostat à des températures trop basses.
- Retirez la poussière accumulée à l'arrière de l'appareil

INSTRUCTIONS POUR L'INSTALLATION

➤ **Avant d'utiliser votre cave à vin**

- Retirez l'emballage extérieur et intérieur.
- Avant de brancher votre cave à vin à la prise d'alimentation, laissez-le en position verticale pendant environ 2 heures. Ceci réduira le risque d'un dysfonctionnement du système de refroidissement suite à la manipulation pendant le transport.
- Nettoyez les surfaces intérieures à l'eau tiède avec une éponge douce.
- Cet appareil est destiné à un usage domestique et à d'autres applications similaires telles que :
 - espaces cuisine du personnel dans des boutiques, bureaux et autres espaces de travail ;
 - gîtes ruraux, hôtels, motels et autres lieux de résidence ;
 - chambre d'hôtes ;
 - traiteurs et autres applications similaires sans vente au détail.
- Lors de l'élimination de votre appareil, veuillez choisir un site d'élimination autorisé.

➤ **Installation de votre cave à vin**

- Cet appareil est conçu soit pour une installation autonome soit pour une installation intégrée (entièrement encastré) (reportez-vous à l'autocollant à l'arrière de cet appareil).
- **Cet appareil est destiné à être utilisé exclusivement pour le stockage de vin ou de boissons.**
- Placez votre cave à vin sur un sol suffisamment solide pour la supporter lorsqu'elle est entièrement remplie. Pour niveler votre cave à vin, ajustez la jambe de nivellement avant au bas de l'appareil.
- Cet appareil utilise un réfrigérant inflammable. Ne jamais endommager la tuyauterie de refroidissement pendant le transport. Installez votre cave à vin à l'écart de la lumière directe du soleil et des sources de chaleur (poêle, chauffage, radiateur, etc.). Le rayonnement solaire direct peut endommager le revêtement acrylique et les sources de chaleur sont susceptibles d'augmenter la consommation d'énergie électrique. Un environnement très froid peut également empêcher l'appareil de fonctionner correctement.
- Évitez d'installer l'appareil dans des zones humides.
- Branchez votre cave à vin dans une prise murale dédiée, correctement installée et mise à la terre. Vous ne devez en aucun cas couper ou éliminer la troisième broche (de terre) de la fiche du câble d'alimentation. Adressez-vous à un électricien qualifié ou à un centre d'assistance agréé pour toute question sur l'alimentation et/ou la prise de terre.

➤ **Attention**

- Conservez le vin en bouteilles scellées ;
- Ne surchargez pas l'armoire ;
- N'ouvrez pas la porte, sauf si nécessaire ;
- Ne couvrez pas les étagères avec une feuille d'aluminium ou tout autre matériau pouvant empêcher la circulation de l'air ;
- Si votre cave à vin est stockée sans être utilisée pendant de longues périodes, il est suggéré, après un nettoyage minutieux, de laisser la porte entrouverte pour permettre à l'air de circuler à l'intérieur de l'armoire et éviter la formation éventuelle de condensation, de moisissures ou d'odeurs.

➤ **Limites de température ambiante**

Cet appareil est conçu pour fonctionner aux températures ambiantes spécifiées par la classe de température indiquée sur sa plaque signalétique.

- Tempérée élargie (SN): «Cet appareil de réfrigération est destiné à être utilisé à des températures ambiantes comprises entre 10 °C et 32 °C»
- Tempérée (N): «Cet appareil de réfrigération est destiné à être utilisé à des températures ambiantes comprises entre 16 °C et 32 °C»

- Subtropicale (ST): «Cet appareil de réfrigération est destiné à être utilisé à des températures ambiantes comprises entre 16 °C et 38 °C»
- Tropicale (T): «Cet appareil de réfrigération est destiné à être utilisé à des températures ambiantes comprises entre 16 °C et 43 °C»

FONCTIONNEMENT DE VOTRE CAVE À VIN ET RÉGLAGE DU CONTRÔLE DE LA TEMPÉRATURE

➤ Mode d'emploi du système de contrôle



- **Bouton "⏻"**
Pour allumer/éteindre l'appareil. (Appuyez et maintenez ce bouton enfoncé pendant environ 3 secondes) ;
- **Bouton "▲"**
Pour augmenter (réchauffer) la température de 1°C à la fois.
- **Bouton "▼"**
Pour abaisser (refroidir) la température de 1°C à la fois.
- **Bouton "💡"**
Pour allumer ou éteindre l'éclairage interne.
- **voyant lumineux**
Affichage du compresseur en fonctionnement.
- **Fenêtre d'affichage LED**
Affiche la température réglée.

➤ Réglage des contrôles de température

- Pour régler la température, branchez le cordon d'alimentation à une prise correctement mise à la terre. En cas de coupure de l'alimentation, le réglage précédent de la température est automatiquement effacé et il est réglé par défaut à 12°C.
- Réglez la température de refroidissement souhaitée en appuyant sur les boutons adjacents aux indicateurs "▲" ou "▼". Chaque pression sur les boutons fera défiler les réglages de température disponibles de 1° en 1°C.
- Le réglage de la température peut être compris entre 5°C et 18°C.
- Si vous souhaitez visualiser les températures courantes à l'intérieur, appuyez et maintenez enfoncée la touche "▲" ou "▼" pendant 3 secondes : le voyant LED se mettra à clignoter et affichera la température courante. Après avoir arrêté d'appuyer sur le bouton pendant 5 secondes, le voyant LED arrêtera de clignoter, puis reviendra afficher la température réglée.
Voyant LED clignotant = température de l'armoire

Voyant LED fixe = température réglée

➤ **Éclairage interne**

Afin de réduire la consommation d'énergie, cette armoire à vin éteint automatiquement les lampes à LED au bout de 10 minutes.

Si vous souhaitez que les lampes à LED restent allumées en continu, cela est possible. Appuyez et maintenez le bouton "ÉCLAIRAGE" enfoncé pendant 5 secondes, l'écran affichera "LP". Après 4 secondes, l'écran reviendra à la normale et le voyant restera allumé jusqu'à ce qu'il soit éteint manuellement.

Si vous souhaitez revenir en arrière et économiser de l'énergie (recommandé), appuyez et maintenez le bouton "ÉCLAIRAGE" enfoncé pendant 5 secondes, l'écran affichera "LF", après 4 secondes, l'écran reviendra à la normale et la lumière s'éteindra automatiquement au bout de 10 minutes.

➤ **Alarme de température**

Si la température à l'intérieur est supérieure à 23 °C, il sera affiché "HI" sur le panneau d'affichage, et au bout d'une heure après l'alarme / l'avertisseur sonore retentira. Cela indique que la température à l'intérieur est trop élevée. Si la température à l'intérieur est inférieure à 0 °C, il sera affiché "LO" sur le panneau d'affichage et dans le même temps l'alarme de dysfonctionnement sera activée.

➤ **Fonction de récupération de température**

En cas de coupure de l'alimentation, la cave à vin peut se souvenir des réglages de température précédents, et lorsque l'alimentation est rétablie, la température de la cave à vin revient au même réglage de la température que lorsque l'appareil est mis hors tension.

➤ **REMARQUE :**

- Si l'appareil est débranché, hors tension ou éteint, vous devez attendre 3 à 5 minutes avant de redémarrer l'appareil. Si vous tentez de redémarrer avant ce délai, votre cave à vin/refroidisseur de boissons ne démarrera pas.
- Lorsque vous utilisez votre cave à vin/refroidisseur de boisson pour la première fois ou redémarrez votre cave à vin/refroidisseur de boisson après qu'il soit resté éteint pendant une longue période, il pourrait y avoir un écart de quelques degrés entre la température que vous sélectionnez et celle indiquée sur l'inscription du voyant LED. C'est normal et cela est dû à la durée du temps d'activation. Une fois que la cave à vin/refroidisseur de boissons aura fonctionné pendant quelques heures, tout reviendra à la normale.

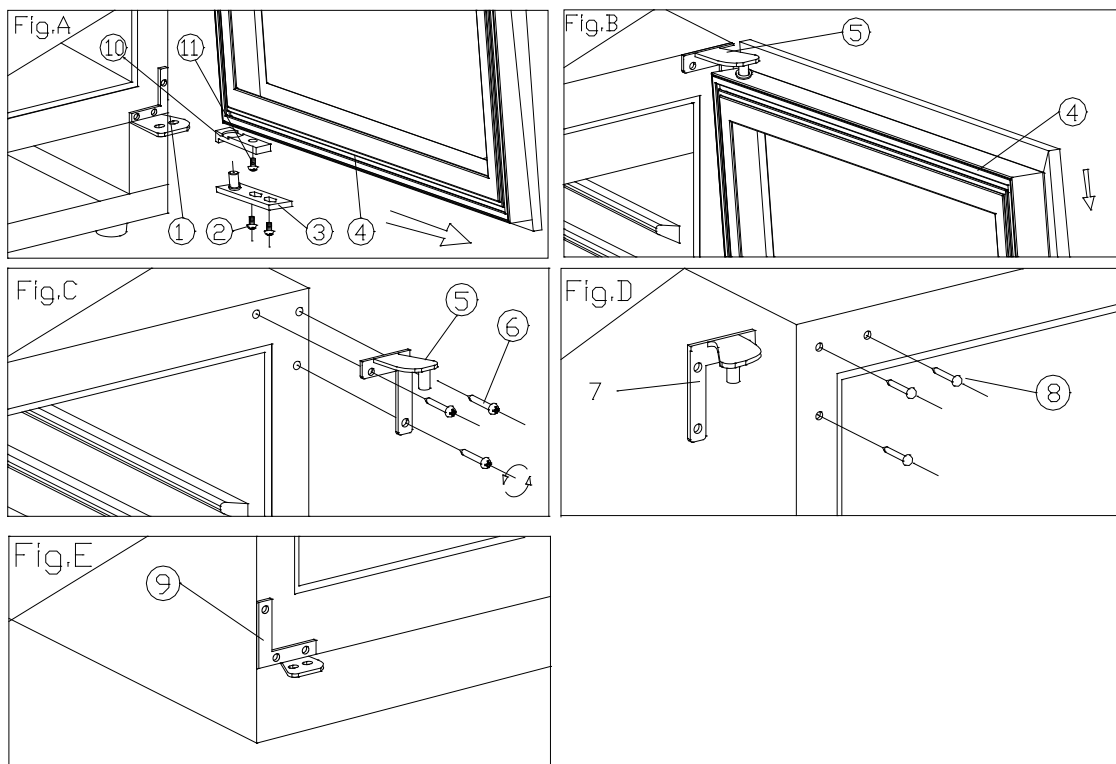
➤ Comment changer le sens de l'ouverture de la porte

Cet appareil a des portes réversibles mais il est livré avec une porte ayant une charnière à droite. Un kit de charnière côté gauche est livré avec l'unité (dans l'emballage), si vous souhaitez inverser la charnière sur votre appareil.

Type A (pour porte plein verre / acier inoxydable)

- | | | |
|---|---------------|--|
| 1. Charnière inférieure (côté droit) | 2. Vis | 3. Axe de porte |
| 4. Porte | | 5. Charnière supérieure (côté droit) |
| 6. Vis à charnière | | 7. Charnière supérieure (côté gauche) |
| 8. Cache du trou | | 9. Charnière inférieure (côté gauche) |
| 10. Dispositif de limitation de la porte | | 11. Vis |

1. Ouvrez la porte à un angle de 90 degrés, retirez les 2 vis (2) de l'axe de la porte inférieure (3), retirez la porte (4), retirez la plaque de l'axe (3) de la porte, (Fig. A).
2. Dévissez la vis (11) située sous le cadre de la porte et le dispositif de limitation (10), et remplacez-la du côté de l'extrémité gauche du cadre de porte. (Fig. A/B).
3. Retirez les 3 vis (6) de la charnière supérieure (côté droit) (5) et retirez celle-ci. (Fig. C).
4. Retirez les clous décoratifs (8) en haut à gauche de l'armoire et installez la charnière supérieure de rechange (côté gauche) (7) en haut à gauche de l'armoire avec 3 vis. (Fig. D)
5. En suivant la procédure ci-dessus, installez la charnière inférieure de rechange côté gauche (9). (Fig. E)
6. Installez et alignez la porte.
7. Insérez les caches en plastique pour couvrir les trous (8).



Type B (pour porte mince en acier inoxydable)

1 Charnière inférieure
(côté droit)

4 Porte

7 Charnière supérieure
(côté gauche)

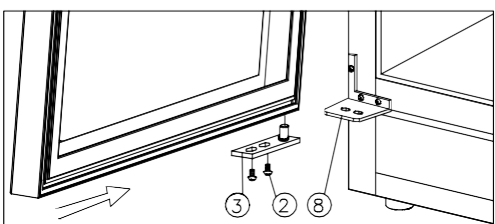
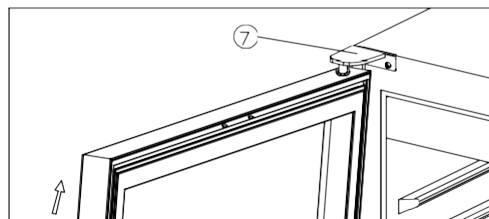
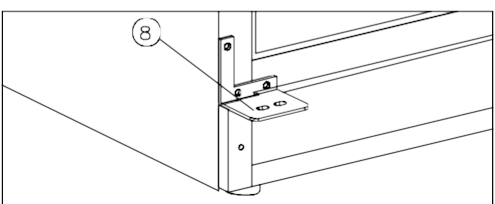
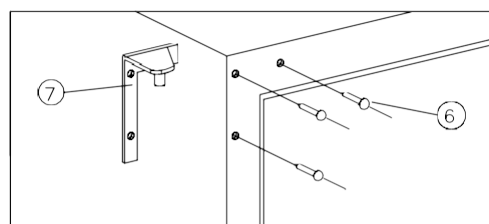
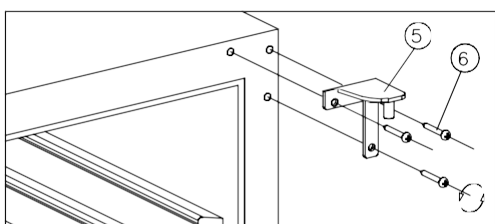
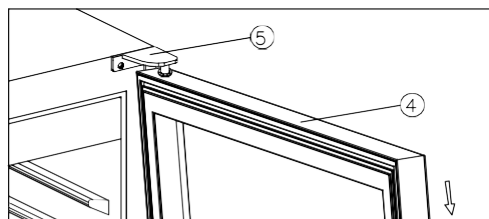
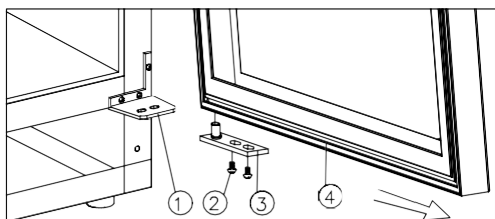
2 Vis

5 Charnière supérieure
(côté droit)

8 Charnière inférieure
(côté gauche)

3 Axe de porte

6 Vis

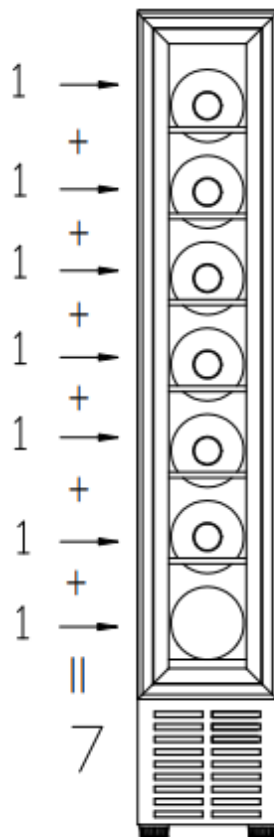


1. Retirez 2 vis (2), puis tirez sur la porte (4) selon la direction de la flèche et de la charnière inférieure (côté droit) (1), comme pour l'assemblage. (Fig.A et Fig.B)
2. Retirez les 3 vis (6) de la charnière supérieure côté droit, puis retirez les charnières supérieure côté droit (5) et inférieure côté droit (1). (Voir Fig.C)
3. Utilisez les vis que vous avez retirées des charnières latérales côté droit pour fixer les charnières supérieure et inférieure côté gauche (7) (8). (Voir Fig.D et Fig.E)
4. Tournez la porte à 180 degrés, puis remontez la porte selon les mêmes opérations dans le sens inverse.

➤ **Schéma de stockage**

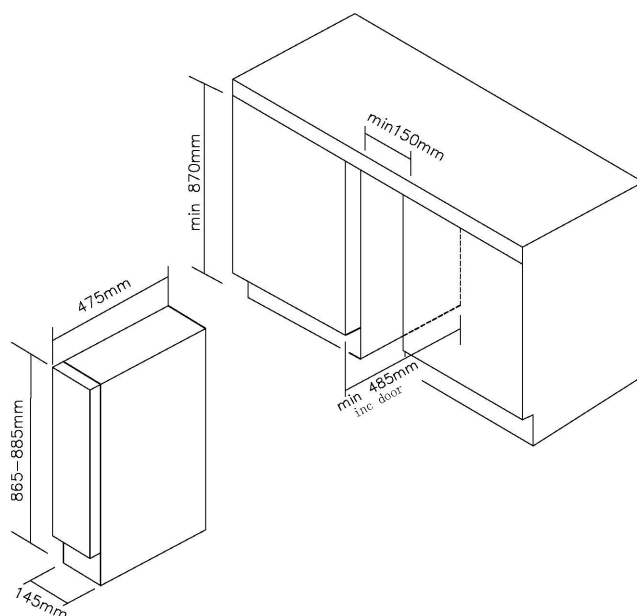
En fonction de la configuration courante de votre appareil, veuillez vérifier le schéma de stockage correspondant.

Pour une hauteur de 865mm
Total: 7 bouteilles (Max)



La configuration la moins énergivore nécessite que les clayettes soient positionnés dans le produit, veuillez consulter les photos ci-dessus.

➤ **Consignes pour une installation intégrée**



NETTOYAGE ET ENTRETIEN

➤ **Nettoyage de votre cave à vin**

- Éteignez l'alimentation, débranchez l'appareil et retirez tous les éléments, y compris les clayettes et étagères.
- Lavez les surfaces intérieures avec une solution d'eau tiède et de bicarbonate de soude. La solution doit être d'environ 2 cuillères à soupe de bicarbonate de soude pour un quart de litre d'eau.
- Lavez les étagères avec une solution détergente non agressive.
- Essuyez l'excès d'eau de l'éponge ou du chiffon de nettoyage au niveau de la zone des commandes et de toute pièce électrique.
- Lavez l'armoire extérieurement avec de l'eau tiède et un détergent liquide non agressif. Rincez soigneusement et essuyez à l'aide d'un chiffon doux propre.

➤ **Panne de courant**

- La plupart des pannes de courant sont résolues en quelques heures et ne devraient donc pas affecter la température de votre appareil, si vous minimisez le nombre de fois où la porte est ouverte. Si la panne de courant doit durer plus longtemps, vous devrez prendre les mesures nécessaires pour protéger le contenu de l'appareil.

➤ **Période des vacances**

- **Vacances courtes** : Laissez votre cave à vin fonctionner pendant vos congés de moins de trois semaines.
- **Vacances longues** : Si l'appareil ne sera pas utilisé pendant plusieurs mois, retirez tous les éléments stockés et éteignez l'appareil. Nettoyez et essuyez soigneusement l'intérieur de l'appareil. Pour éviter la formation d'odeurs et de moisissures, laissez la porte légèrement ouverte : bloquez-la si nécessaire.

➤ **Manutention de votre cave à vin**

- Retirez tous les éléments stockés.
- Utilisez de la bande adhésive pour coller solidement tous les éléments non fixés (étagères) à l'intérieur de votre appareil.
- Vissez le pied réglable jusqu'à la base pour éviter tout dommage.
- Fermez la porte.
- Assurez-vous que l'appareil reste en position verticale pendant son transport. Protégez également l'extérieur de l'appareil avec une couverture ou un article semblable.

➤ **Conseils pour l'économie d'énergie**

- La cave à vin doit être installée dans la zone la plus fraîche de la pièce, loin des appareils de production de chaleur et à l'abri de la lumière directe du soleil.

DES PROBLÈMES AVEC VOTRE CAVE À VIN/REFROIDISSEUR DE BOISSONS ?

Vous pouvez résoudre facilement de nombreux problèmes courants concernant votre cave à vin/refroidisseur de boisson et économiserez les frais d'un appel d'assistance. Consultez les suggestions ci-dessous pour voir si vous pouvez résoudre votre problème avant d'appeler le service d'assistance.

GUIDE DE DÉPANNAGE

PROBLÈME	CAUSE POSSIBLE
La cave à vin/le refroidisseur de boissons ne fonctionne pas.	L'appareil n'est pas branché. L'appareil est éteint. Le disjoncteur s'est déclenché ou un fusible a grillé.
La cave à vin/le refroidisseur de boissons n'est pas assez froid.	Vérifiez le réglage de la température. L'environnement extérieur demande un réglage de la température supérieur. La porte est ouverte trop souvent. La porte n'est pas complètement fermée. Le joint de la porte n'est pas entièrement étanche.
L'appareil s'allume et s'éteint fréquemment.	La température de la pièce est plus chaude que la normale. Une grande quantité de bouteilles a été ajoutée dans la cave à vin/le refroidisseur de boissons. La porte est ouverte trop souvent. La porte n'est pas complètement fermée. Le dispositif de contrôle de la température n'est pas correctement réglé. Le joint de la porte n'est pas entièrement étanche.
La lumière ne fonctionne pas.	L'appareil n'est pas branché. Le disjoncteur s'est déclenché ou un fusible a grillé. L'ampoule a grillé. Le voyant lumineux est "ÉTEINT".
Vibrations.	Vérifiez que la cave à vin/le refroidisseur de boissons est de niveau.
La cave à vin/le refroidisseur de boissons semble faire trop de bruit.	Le bruit de cliquetis peut provenir du flux du réfrigérant, ce qui est normal. À la fin de chaque cycle, vous pouvez entendre des bruits de gargouillement causés par le flux de réfrigérant dans votre cave à vin/refroidisseur de boissons. La contraction et l'expansion des parois intérieures peuvent provoquer des bruits de claquement et de crépitement. La cave à vin/le refroidisseur de boissons n'est pas de niveau.
La porte ne se ferme pas complètement.	La cave à vin/le refroidisseur de boissons n'est pas de niveau. La porte a été inversée et mal installée. Le joint est sale. Les étagères ne sont pas dans la bonne position.

Pour contacter l'assistance technique, visitez notre site Internet: <https://corporate.haier-europe.com/en/>. Dans la section «websites», choisissez la marque de votre produit et votre pays. Vous serez redirigé vers le site Web spécifique où vous pouvez trouver le numéro de téléphone et le formulaire pour contacter l'assistance technique

➤ **Disponibilité des pièces de rechange**

- Les thermostats, les capteurs de température, les cartes de circuit imprimé et les sources lumineuses sont disponibles pour une période minimale de sept ans à compter de la mise sur le marché de la dernière unité du modèle;
- Les poignées de porte, gonds de porte, plateaux et bacs, sont disponibles pour une période minimale de sept ans, et les joints de porte sont disponibles pour une période minimale de 10 ans à compter de la mise sur le marché de la dernière unité du modèle;

RÉGLAGES conseillés de la température

Pour stocker TOUS LES TYPES de VINS **12 °C to 14 °C**

Température conseillée pour les BOISSONS

Champagne NV, pétillant	6 °C
Champagne de cuvée	10 °C
Sémillon blanc sec, Sauvignon Blanc	8 °C
Gewürztraminer blanc sec, Riesling	10 °C
Chardonnay blanc sec	10 °C
Chardonnay de cuvée	14 °C
Sauternes Monbazillac blanc doux, vin de glace de vendanges tardives	10 °C
Sauternes de cuvée blanc doux	14 °C
Beaujolais	13 °C
Pinot noir rouge	16 °C
Pinot noir de cuvée rouge	18 °C
Cabernet rouge, Merlot, français, australien, néo-zélandais, chilien, argentin, italien, espagnol, californien	18 °C
Grenache rouge, Syrah	16 °C

Pour plus d'informations sur le produit, veuillez consulter <https://eprel.ec.europa.eu/> ou scannez le QR sur l'étiquette énergétique fournie avec l'appareil

Italiano

Vi ringraziamo per aver scelto questo nostro prodotto.

Prima di utilizzare il frigorifero, leggere il presente manuale di istruzioni per massimizzare le prestazioni del prodotto. Riporre tutta la documentazione per utilizzo futuro o per i successivi proprietari. Questo apparecchio è destinato unicamente in ambiente domestico o per applicazioni simili quali:

- La zona cucina destinata al personale di negozi, uffici e altri ambienti lavorativi
- Di beauty farm, alla clientela di hotel, motel e altri ambienti di tipo residenziale
- Nei Bed&Breafast (B&B)
- Per servizi di catering ed applicazioni simili esclusa la vendita al dettaglio.

Questo elettrodomestico deve essere utilizzato unicamente per la conservazione degli alimenti; qualsiasi altro uso è considerato pericoloso e il produttore non è ritenuto responsabile per eventuali omissioni. Si consiglia anche di leggere con attenzione le condizioni di garanzia.

INFORMAZIONI DI SICUREZZA

Leggere attentamente le istruzioni per l'uso e l'installazione. Le istruzioni contengono informazioni importanti relative all'installazione, all'uso e alla manutenzione dell'elettrodomestico. Il produttore non è responsabile del mancato rispetto delle istruzioni e delle avvertenze. Conservare tutta la documentazione per future consultazioni o per i proprietari successivi.

- **Collegare l'elettrodomestico all'alimentazione elettrica solo dopo aver rimosso l'imballo e le protezioni per il trasporto. Tenere lontani i bambini dall'imballo e dai relativi componenti. I cartoni pieghevoli e la pellicola di plastica potrebbero causare il soffocamento.**
- **Lasciare riposare per almeno 4 ore prima dell'accensione per consentire all'olio del compressore di depositarsi se trasportato orizzontalmente**
- **Al momento della consegna, verificare che il prodotto non sia danneggiato e che tutte le parti e gli accessori siano in perfette condizioni**
- **Non danneggiare il circuito del refrigerante**
- **Mantenere libere da qualsiasi ostruzione le aperture di ventilazione nel luogo in cui si trova l'elettrodomestico o nella struttura nella quale è incassato**
- **Non usare mai acqua per lavare la zona del compressore, pulire accuratamente con un panno asciutto dopo la pulizia per evitare la formazione di ruggine**
- **L'elettrodomestico deve essere maneggiato sempre da almeno due persone perché è pesante.**
- **Installare l'elettrodomestico a livello in un'area adatta alle dimensioni e all'uso.**
- **Accertarsi che i dati elettrici sulla targhetta siano conformi all'alimentazione elettrica. In caso contrario, rivolgersi a un elettricista.**

- **L'elettrodomestico funziona con corrente elettrica 220-240 Vca / 50 Hz. Oscillazioni anomale della tensione possono causare il mancato avvio dell'elettrodomestico, danni al controllo della temperatura o al compressore oppure rumori anomali durante il funzionamento. In tal caso, è opportuno montare un regolatore automatico.**
- **Solo per il Regno Unito: il cavo di alimentazione dell'elettrodomestico è dotato di una spina a 3 conduttori (collegata a terra) adatta a una presa standard a 3 conduttori (collegata a terra). Non tagliare né smontare mai il terzo conduttore (collegamento a terra). Dopo l'installazione dell'elettrodomestico, la spina deve essere accessibile.**
- **Accertarsi che il cavo di rete non sia impigliato sotto l'elettrodomestico durante e dopo il trasporto/spostamento, per evitare che il cavo di rete venga tagliato o danneggiato. Se il cavo di alimentazione dell' elettrodomestico dovesse essere danneggiato, farlo sostituire dal produttore, dal suo servizio tecnico o da un tecnico qualificato, per evitare rischi**
- **Non montare l'elettrodomestico in ambienti polverosi, in presenza di olio o umidità, non esporlo alla luce solare diretta e all'acqua**
- **Non montare l'elettrodomestico vicino a stufe o materiali infiammabili**
- **PER gli elettrodomestici dotati di vano congelatore, non aprire il coperchio in caso di interruzione della corrente. Gli alimenti surgelati non dovrebbero guastarsi se l'interruzione dell'alimentazione dura meno delle ore indicate sull'etichetta della classificazione (tempo di aumento della temperatura). Se l'interruzione dell'alimentazione dura di più, controllare gli alimenti e consumarli immediatamente o ricongelarli solo dopo averli cotti.**
- **Se il coperchio dell'elettrodomestico non si riapre facilmente subito dopo che è stato chiuso, non si tratta di un problema, in quanto tale condizione dipende dalla differenza di pressione che si bilancerà entro pochi minuti consentendo nuovamente l'apertura del coperchio.**
- **Non conservare medicinali, batteri o sostanze chimiche nell'elettrodomestico. Questo elettrodomestico è destinato ad ambienti residenziali, per cui si sconsiglia di conservare materiali che richiedono temperature rigide.**
- **Non piegare troppo o tirare il cavo di alimentazione e non toccare la spina con le mani bagnate**

- **Non conservare nell'elettrodomestico prodotti contenenti propellenti infiammabili (ad es. bombolette spray) o sostanze esplosive. Pericolo di esplosione!**
- **Non collocare elementi instabili (oggetti pesanti, contenitori pieni d'acqua) sopra il frigorifero, per evitare lesioni personali dovute a cadute o scosse elettriche causate dal contatto con l'acqua.**
- **Non usare apparecchi elettrici all' interno degli scomparti per la conservazione degli alimenti dell'elettrodomestico, se questi non sono del tipo consigliato dal produttore**
- **Non toccare gli elementi interni di raffreddamento, specialmente con le mani bagnate, per evitare crepe o lesioni**
- **Sono a rischio i bambini, le persone affette da limitazione delle capacità fisiche, mentali o sensoriali, nonché le persone che non conoscono perfettamente il funzionamento sicuro dell'elettrodomestico. Accertarsi che i bambini e le persone vulnerabili siano consapevoli dei pericoli. Una persona responsabile della sicurezza deve sorvegliare o istruire i bambini e le persone vulnerabili che adoperano l'elettrodomestico. L'elettrodomestico non deve essere utilizzato da bambini di età inferiore a 8 anni.**
- **I bambini non devono giocare con l' elettrodomestico**
- **I bambini dai 3 agli 8 anni possono riempire e svuotare questo elettrodomestico**
- **PER gli elettrodomestici dotati di vano congelatore: non conservare liquidi in bottiglia o in lattina (specialmente bevande gassate) nel vano congelatore. Le bottiglie e lattine possono scoppiare!**
- **PER gli elettrodomestici dotati di vano congelatore: non mettere mai in bocca alimenti surgelati subito dopo averli estratti dal vano congelatore. Pericolo di ustioni dovute alla bassa temperatura!**
- **Accertarsi sempre che i componenti di plastica e la guarnizione dello sportello siano privi di olio e grasso. In caso contrario, i componenti di plastica e la guarnizione dello sportello diventeranno porosi.**
- **Prima di ogni intervento occorre disinserire l' alimentazione elettrica all' elettrodomestico**
- **Non usare dispositivi meccanici o altri strumenti artificiali per accelerare il processo di sbrinamento, diversi da quelli consigliati dal produttore**
- **Non utilizzare oggetti appuntiti o acuminati come coltelli o forchette per rimuovere il ghiaccio. Non utilizzare mai**

asciugacapelli, riscaldatori elettrici o altri elettrodomestici per lo sbrinamento

- **Si consiglia di mantenere pulita la spina: eventuali residui di sporco sulla spia possono provocare incendi**
- **Non cercare di riparare, smontare o modificare personalmente l'elettrodomestico. Per le riparazioni rivolgersi sempre all'assistenza clienti.**
- **Sorvegliare i bambini durante la pulizia o la manutenzione dell'elettrodomestico.**
- **Non pulire i ripiani di vetro freddi con acqua calda. Un'improvvisa variazione della temperatura può causare la rottura del vetro.**
- **AVVERTENZA: i tubi del circuito di refrigerazione trasportano una lieve quantità di refrigerante ecologico ma infiammabile (R600a) e di gas isolante (ciclopentano). Questi prodotti non danneggiano lo strato di ozono e non aumentano l'effetto serra. Se il refrigerante fuoriesce, può lesionare gli occhi o incendiarsi.**
- **Se il circuito di refrigerazione è visibilmente danneggiato:**
 - **Spegnere l'elettrodomestico e staccare la spina dalla rete elettrica.**
 - **Tenere lontano dall'elettrodomestico fiamme libere e/o fonti di ignizione.**
 - **Ventilare accuratamente il locale per alcuni minuti.**
 - **Informare l'assistenza clienti.**
- **AVVERTENZA: per scongiurare il rischio di incendi o scosse elettriche, non danneggiare la spina e/o il cavo di alimentazione.**
- **AVVERTENZA: non adoperare prese multiple o alimentatori portatili. Si sconsiglia l'uso di prolunghe e prese multiple.**
- **Non tentare di sedersi o stare in piedi sulla parte superiore dell'elettrodomestico, per evitare lesioni personali o danni all'elettrodomestico. Questo elettrodomestico non può essere impilato con altri elettrodomestici.**
- **Il prodotto è progettato e costruito solo per uso domestico**
- **È possibile utilizzare solo componenti originali forniti dal produttore. Il produttore garantisce che solo questi componenti soddisfano i requisiti di sicurezza.**
- **L'apertura prolungata della porta può causare un significativo aumento della temperatura nei vani dell'elettrodomestico**
- **Pulire regolarmente le superfici che possono venire a contatto con gli alimenti e i sistemi di scarico accessibili**
- **Pulire i serbatoi dell'acqua se non sono stati utilizzati per 48 ore; sciacquare l'impianto idrico collegato alla rete idrica se l'acqua non è stata prelevata per 5 giorni**

- **Conservare la carne e il pesce crudo in appositi contenitori in frigorifero, in modo che non vengano a contatto con altri alimenti o che non gocciolino su di essi**
- **Gli scomparti per surgelati a due stelle (se presenti nell'elettrodomestico) sono adatti alla conservazione di alimenti pre-congelati, alla conservazione o alla preparazione di gelati e alla produzione di cubetti di ghiaccio**
- **Gli scomparti a una, due e tre stelle (se presenti nell'elettrodomestico) non sono adatti al congelamento di alimenti freschi**
- **Se l'elettrodomestico viene lasciato vuoto per lunghi periodi di tempo, spegnere, sbrinare, pulire, asciugare e lasciare la porta aperta per evitare che si formi muffa all'interno**
- **Per i frigoriferi cantina: Apparecchio destinato esclusivamente alla conservazione del vino**
- **Per gli apparecchi a libera installazione: Apparecchio di refrigerazione non destinato ad essere utilizzato come apparecchio da incasso**
- **Per gli apparecchi senza uno scomparto a 4 stelle: Apparecchio di refrigerazione non idoneo al congelamento di alimenti**

Smaltimento degli elettrodomestici usati



Questo elettrodomestico dispone di contrassegno ai sensi della direttiva europea 2012/19/UE sui rifiuti di apparecchiature elettriche ed elettroniche (RAEE).


La direttiva RAEE riguarda le sostanze inquinanti (che possono causare conseguenze negative per l'ambiente) e i componenti principali (che possono essere riutilizzati). È importante che i RAEE siano sottoposti a trattamenti specifici in modo da togliere e smaltire in modo corretto gli inquinanti, nonché recuperare e riciclare tutti i materiali.

Spetta ai singoli individui garantire che i RAEE non diventino un problema a livello ambientale. Esistono alcune regole specifiche da rispettare:

- I RAEE non devono essere trattati come rifiuti domestici;
- I RAEE devono essere affidati agli speciali centri di raccolta gestiti dai comuni o da società autorizzate. In molti stati è disponibile anche un servizio di raccolta porta a porta per i RAEE.

In caso di acquisto di nuovi elettrodomestici, quelli vecchi possono essere affidati al venditore che li deve ritirare gratuitamente in numero corrispondente agli elettrodomestici acquistati, a condizione che i singoli elettrodomestici siano di tipo simile e con le stesse funzioni di quelli acquistati.

Conformità

Apponendo il marchio  su questo prodotto, confermiamo la conformità a tutti i requisiti di legge europei in materia di sicurezza, salute e tutela ambientale applicabili per legge a questo prodotto.

Garanzia

La garanzia minima è: 2 anni per i Paesi UE, 3 anni per la Turchia, 1 anno per il Regno Unito, 1 anno per la Russia, 3 anni per la Svezia, 2 anni per la Serbia, 5 anni per la Norvegia, 1 anno per il Marocco, 6 mesi per l'Algeria, la Tunisia nessuna garanzia legale richiesta.

Risparmio energetico

Per un maggiore risparmio di energia si consiglia di procedere come segue:

- Installare l'elettrodomestico lontano da fonti di calore, al riparo dall'irradiazione diretta dei raggi solari e in un ambiente ben ventilato.
- Evitare di conservare alimenti caldi nel frigorifero per evitare di aumentare la temperatura interna, provocando un funzionamento continuo del compressore.
- Non riempirlo eccessivamente in modo tale da garantire una corretta circolazione dell'aria.
- Sbrinare l'elettrodomestico in presenza di ghiaccio per facilitare il trasferimento del freddo.
- In caso di mancanza di energia elettrica, si consiglia di lasciare chiusa la porta del frigorifero.
- Aprire o tenere aperte le porte dell'elettrodomestico il meno possibile.
- Evitare di regolare il termometro a temperature troppo basse.
- Togliere la polvere presente nella parte posteriore dell'elettrodomestico.

ISTRUZIONI DI MONTAGGIO

➤ **Prima di utilizzare la cantinetta per vino**

- Togliere l'imballo esterno ed interno.
- Prima di collegare la cantinetta per vino all'alimentazione, lasciarla in posizione verticale per circa 2 ore. Questo serve a ridurre la possibilità di un malfunzionamento nell'impianto di raffreddamento durante la manipolazione del trasporto.
- Pulire la superficie interna con acqua tiepida utilizzando un panno morbido.
- Questo elettrodomestico è destinato ad essere utilizzato in applicazioni domestiche e simili, come ad esempio
 - in cucine per il personale in negozi, uffici e altri ambienti di lavoro;
 - in agriturismi e dai clienti negli alberghi, nei motel e in altri ambienti di tipo residenziale;
 - in ambienti di tipo bed and breakfast;
 - in servizi di catering e applicazioni simili non per la vendita al dettaglio.
- Al momento di smaltire l'elettrodomestico, si prega di scegliere un centro di smaltimento autorizzato.

➤ **Installazione della cantinetta per vino**

- Questo elettrodomestico è progettato per l'installazione libera o ad incasso (completamente incassato) (Fare riferimento alla posizione dell'adesivo sul retro dell'elettrodomestico).
- **Questo elettrodomestico è destinato ad essere utilizzato esclusivamente per la conservazione di vino o bevande.**
- Collocare la cantinetta per vino su un pavimento sufficientemente robusto da sostenerlo a pieno carico. Per livellare la cantinetta per vino, regolare la gamba di livellamento anteriore nella parte inferiore della cantinetta.
- Questo elettrodomestico utilizza refrigerante antideflagrante, quindi non danneggiare mai le tubazioni di raffreddamento durante il trasporto. Posizionare la cantinetta per vino lontano dalla luce diretta del sole e da fonti di calore (stufa, riscaldamento, radiatore, ecc.). La luce solare diretta può influenzare il rivestimento acrilico e le fonti di calore possono aumentare il consumo elettrico. Anche temperature ambiente estremamente basse possono causare il malfunzionamento dell'elettrodomestico.
- Evitare di collocare l'elettrodomestico in luoghi umidi.
- Collegare la cantinetta per vino ad una presa a muro dedicata con messa a terra. Non rimuovere per alcuna ragione il puntale di terra (terzo) dal cavo di alimentazione. Eventuali domande relative all'alimentazione e/o alla messa a terra devono essere rivolte a un elettricista certificato o a un centro assistenza prodotti autorizzato.

➤ **Avvertenza**

- Conservare il vino in bottiglie sigillate;
- Non sovraccaricare il mobiletto;
- Non aprire la porta più del necessario;
- Non coprire i ripiani con fogli di alluminio o qualsiasi altro materiale che possa impedire la circolazione dell'aria;
- Nel caso in cui la cantinetta per vino venga conservata senza essere utilizzata per lunghi periodi si consiglia, dopo un'accurata pulizia, di lasciare socchiusa la porta per permettere all'aria di circolare all'interno del mobiletto al fine di evitare possibili formazioni di condensa, muffe o odori.

➤ **Limiti di temperatura ambiente**

Questo elettrodomestico è progettato per funzionare a temperature ambiente specificate dalla classe di temperatura indicata sulla targhetta.









- Temperata estesa (SN): «Apparecchio di refrigerazione destinato a essere utilizzato a una temperatura ambiente compresa tra 10 °C e 32 °C»
- Temperata (N): «Apparecchio di refrigerazione destinato a essere utilizzato a una temperatura ambiente compresa tra 16 °C e 32 °C»
- Subtropicale (ST): «Apparecchio di refrigerazione destinato a essere utilizzato a una temperatura ambiente compresa tra 16 °C e 38 °C»

- **Tropicale (T):** «Apparecchio di refrigerazione destinato a essere utilizzato a una temperatura ambiente compresa tra 16 °C e 43 °C»

FUNZIONAMENTO DELLA CANTINETTA PER VINO E IMPOSTAZIONE DEL CONTROLLO DELLA TEMPERATURA

➤ Istruzioni del sistema di comando



- **Pulsante "  "**
Per accendere e spegnere. (Tenere premuto questo pulsante per circa 3 secondi);
- **Pulsante "  "**
Per aumentare (riscaldare) la temperatura ad incrementi di 1°C.
- **Pulsante "  "**
Per diminuire (raffreddare) la temperatura ad incrementi di 1°C.
- **Pulsante "  "**
Per controllare l'accensione e lo spegnimento della luce interna.
- **Indicatore luminoso**
Display del compressore in funzione.
- **Finestra di visualizzazione a LED**
Per visualizzare la temperatura impostata.
- **Impostazione dei comandi della temperatura**
 - Per impostare la temperatura, collegare il cavo di alimentazione ad una presa con messa a terra corretta. In caso di interruzione dell'alimentazione, l'impostazione della temperatura precedente viene automaticamente cancellata e la temperatura viene impostata di default su un valore predefinito di 12°C
 - Impostare la temperatura di raffreddamento desiderata premendo i pulsanti adiacenti agli indicatori "  " o "  ". Ad ogni pressione dei pulsanti si scorrono le impostazioni di temperatura disponibili con incrementi di 1°C.
 - L'impostazione della temperatura può essere regolata tra 5°C e 18°C.
 - Se si vuole ottenere ogni temperatura interna di impostazione, tenere premuto il pulsante "  " o "  " per 3 secondi, il LED lampeggerà e visualizzerà la temperatura effettiva. Dopo aver smesso di premere il pulsante per 5 secondi, la cifra del LED smette di lampeggiare, poi ritorna a visualizzare la temperatura impostata.

LED lampeggiante = temperatura del mobiletto
LED fisso = temperatura impostata

➤ **Illuminazione interna**

Per ridurre il consumo di energia, questa cantinetta per vino spegne automaticamente le luci a LED dopo 10 minuti.

Se si vuole che la luce a LED rimanga accesa in modo continuo, è possibile farlo. Tenere premuto il tasto "LUCES" per 5 secondi, il display visualizzerà "LP". Dopo 4 secondi il display tornerà alla visualizzazione normale e la luce rimarrà accesa fino allo spegnimento manuale.

Se si desidera tornare indietro e risparmiare energia (procedura consigliata), tenere premuto il pulsante "LUCES" per 5 secondi, il display mostrerà "LF". Dopo 4 secondi il display tornerà alla visualizzazione normale e la luce si spegnerà automaticamente dopo 10 minuti.

➤ **Allarme temperatura**

Se la temperatura interna è più alta di 23°C, visualizzerà "HI" sul pannello del display, e dopo un'ora si attiverà l'allarme / il cicalino. Ciò indica che la temperatura interna è troppo alta. Se la temperatura interna è inferiore a 0°C, sul pannello del display viene visualizzato "LO" e insieme all'allarme è attivo anche l'indicatore di malfunzionamento.

➤ **Funzione di richiamo della temperatura**

In caso di interruzione dell'alimentazione, la cantinetta per vino può ricordare le impostazioni di temperatura precedenti e, quando l'alimentazione viene ripristinata, la temperatura della cantinetta torna alla stessa impostazione di temperatura che aveva al momento dello spegnimento.

➤ **NOTA:**

- Se l'elettrodomestico non è collegato alla presa, non è più alimentato oppure è spento, è necessario aspettare da 3 a 5 minuti prima di riattivarlo. Se si cerca di riattivarlo prima di questo intervallo di tempo, la cantinetta per vino/bevande non parte.
- Quando si utilizza la cantinetta per vino/bevande per la prima volta o la si riavvia dopo essere stata spenta per un lungo periodo di tempo, potrebbe esserci una variazione di alcuni gradi tra la temperatura selezionata e quella indicata sul display a LED. Questo è normale ed è dovuto alla lunghezza del tempo di attivazione. Una volta che la cantinetta per vino/bevande sarà in funzione per qualche ora, tutto tornerà alla normalità.

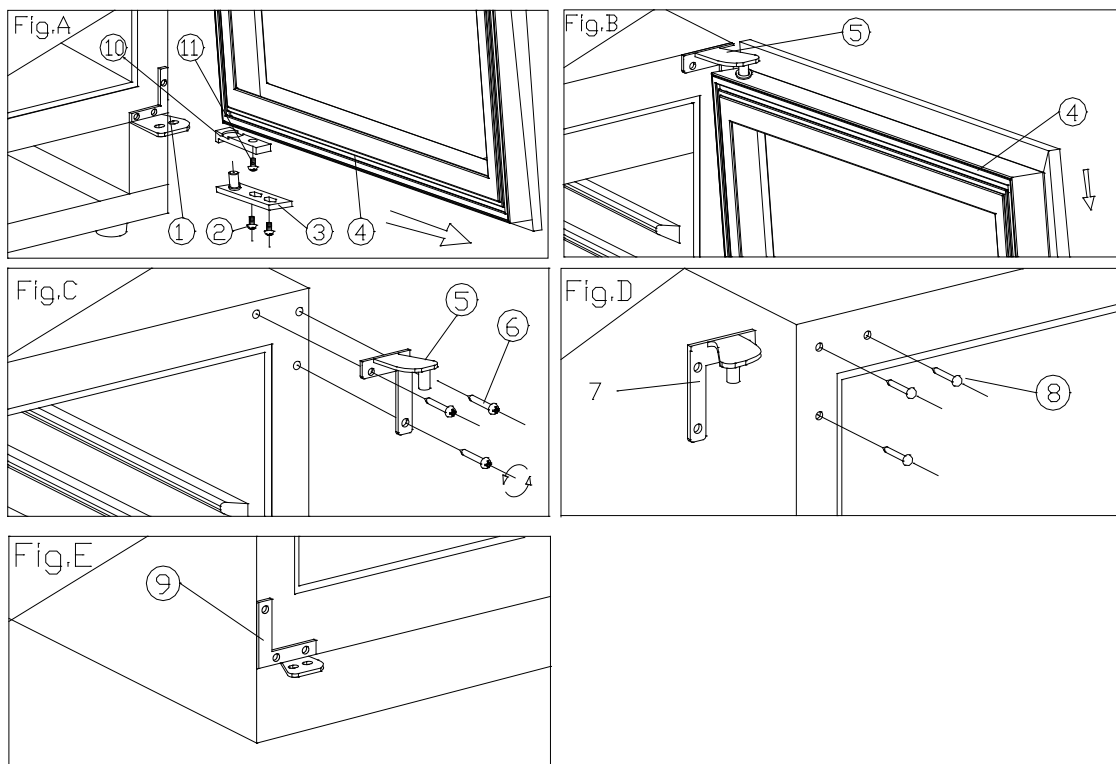
➤ Come cambiare l'apertura della porta

Questo elettrodomestico è dotato di porte reversibili ma viene fornito con una porta incernierata a destra. Il kit con cerniera sinistra viene fornito con l'elettrodomestico (nella scatola), se si desidera invertire la cerniera dell'elettrodomestico stesso.

Tipo A (per porta tutto vetro / acciaio inox)

- | | | |
|---|---------------------------------------|---|
| 1. Cerniera inferiore (destra) | 2. Viti | 3. Asse della porta |
| 4. Porta | 5. Cerniera superiore (destra) | 6. Viti della cerniera |
| 7. Cerniera superiore (sinistra) | 8. Copertura del foro | 9. Cerniera inferiore (sinistra) |
| 10. Fermo della porta | 11. Vite | |

1. Aprire la porta ad un angolo di 90 gradi, togliere le 2 viti (2) dall'asse inferiore della porta (3), rimuovere la porta (4), rimuovere la piastra dell'asse (3) dalla porta, (Fig. A).
2. Svitare la vite (11) situata sotto il telaio della porta e il fermo (10) e riposizionarla sul lato sinistro del telaio della porta. (Fig. A/B)
3. Estrarre le 3 viti della cerniera (6) dalla cerniera superiore (destra) (5) e toglierla. (Fig. C)
4. Togliere il chiodo decorativo (8) dalla parte superiore sinistra del mobiletto e montare la cerniera superiore di ricambio (sinistra) (7) nella parte superiore sinistra del mobiletto con 3 viti. (Fig. D)
5. Seguendo la procedura sopra descritta, montare la cerniera inferiore di ricambio a sinistra (9). (Fig. E)
6. Montare e allineare la porta.
7. Inserire i tappi di plastica per coprire i fori (8).

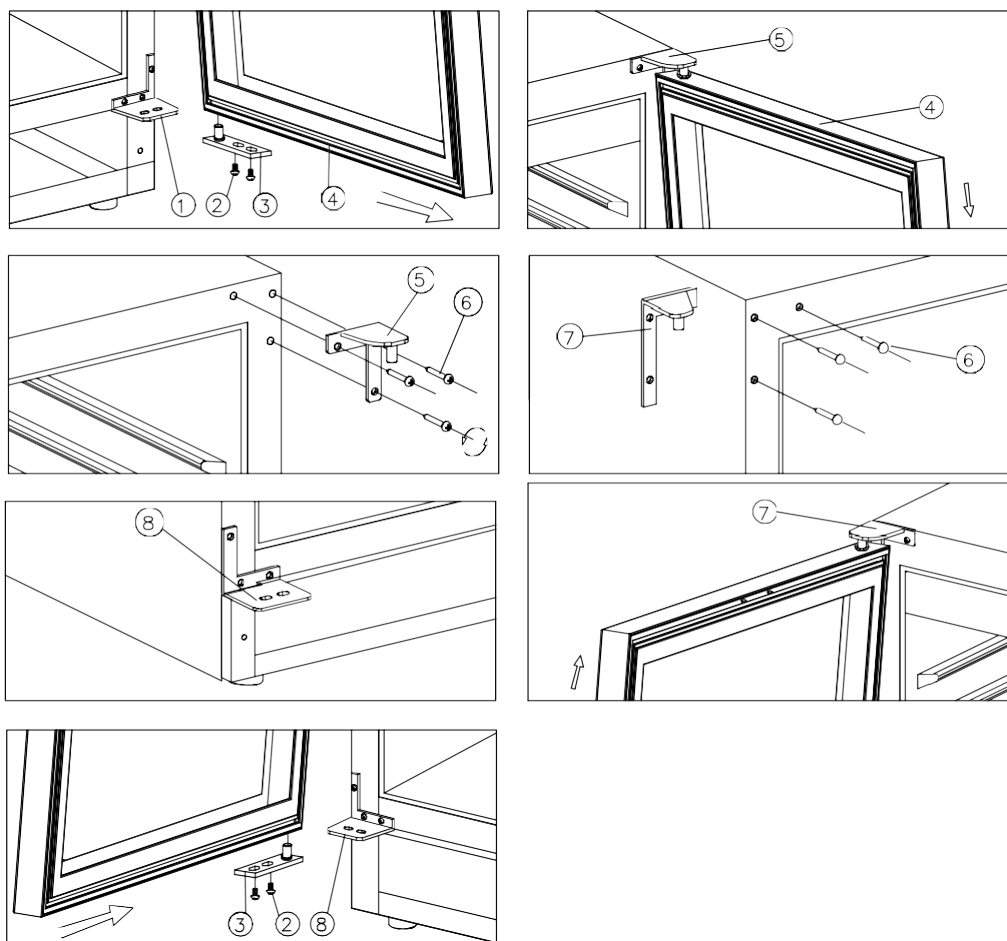


Tipo B (per porta sottile in acciaio inossidabile)

1 Cerniera inferiore (destra)
4 Porte
7 Cerniere superiori
(sinistra)

2 Viti
5 Cerniere superiori (destra)
8 Cerniere inferiori (sinistra)

3 Perni porta
6 Viti



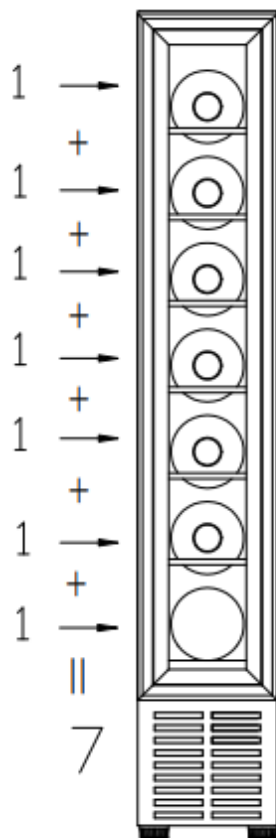
1. Togliere 2 viti (2), quindi tirare la porta (4) come da direzione della freccia e la cerniera inferiore (destra)(1) come per il montaggio. (Fig. A e Fig. B)
2. Togliere 3 viti (6) della cerniera superiore destra, quindi togliere la cerniera superiore destra (5) e la cerniera inferiore destra (1). (Vedere Fig. C)
3. Utilizzare le viti tolte dalle cerniere di destra per fissare le cerniere di sinistra superiore e inferiore (7)(8). (Vedere Fig. D e Fig. E)
4. Ruotare la porta a 180 gradi, quindi montare la porta seguendo la procedura inversa rispetto allo smontaggio.

➤ **Schema di conservazione vino/bevande**

In base alla configurazione effettiva del vostro prodotto, si prega di controllare il relativo schema di conservazione.

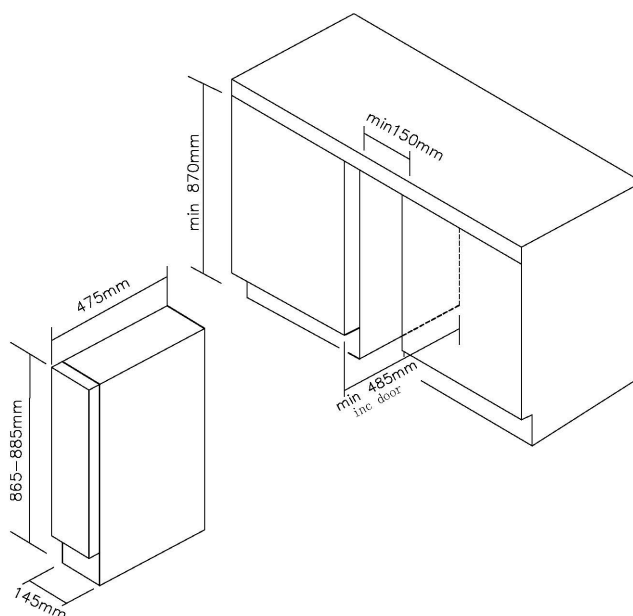
Per altezza 865mm

Totale: 7 bottiglie (Max)



La configurazione che consente il maggiore risparmio energetico richiede il posizionamento dei ripiani nel prodotto; fare riferimento alle immagini precedenti.

➤ **Specifiche di montaggio per incasso**



PULIZIA E MANUTENZIONE

➤ Pulizia della cantinetta per vino

- Togliere alimentazione, scollegare l'elettrodomestico e rimuovere tutti gli oggetti, compresi i ripiani e la griglia.
- Lavare le superfici interne con acqua calda e una soluzione di bicarbonato di sodio. La soluzione dovrebbe essere di circa 2 cucchiaini di bicarbonato di sodio in un quarto d'acqua.
- Lavare i ripiani con una soluzione detergente delicata.
- Strizzare l'acqua in eccesso dalla spugna o dal panno quando si pulisce l'area dei comandi, o qualsiasi parte elettrica.
- Lavare il mobiletto esterno con acqua calda e detergente liquido delicato. Sciacquare bene e asciugare con un panno morbido pulito.

➤ Mancanza di alimentazione

- La maggior parte delle interruzioni di corrente vengono risolte nel giro di poche ore e non dovrebbero influire sulla temperatura dell'elettrodomestico se si riduce al minimo il numero di aperture della porta. Se l'alimentazione viene interrotta per un periodo di tempo prolungato, è necessario adottare le misure adeguate per proteggere il contenuto.

➤ Periodi di vacanza

- **Assenze brevi:** Lasciare la cantinetta per vino in funzione in caso di assenze inferiori alle tre settimane.
- **Assenze prolungate:** Se l'elettrodomestico non verrà utilizzato per diversi mesi, rimuovere il contenuto e staccare la spina. Pulire e asciugare accuratamente l'interno dell'elettrodomestico. Per impedire la formazione di odori e di muffa, lasciare la porta leggermente aperta, se necessario bloccarla.

➤ Spostamento della cantinetta per vino

- Rimuovere tutti gli elementi.
- Fissare saldamente con nastro tutti gli elementi sfusi (ripani) all'interno dell'elettrodomestico.
- Ruotare la gamba regolabile fino alla base per evitare danni.
- Chiudere la porta con nastro adesivo.
- Assicurarsi che l'elettrodomestico rimanga in posizione verticale durante il trasporto. Proteggere anche l'esterno dell'elettrodomestico con una coperta o un oggetto simile.

➤ Accorgimenti per il risparmio energetico

- La cantinetta per vino deve essere posizionata nel punto più fresco della stanza, lontano da elettrodomestici che producono calore e al riparo dalla luce diretta del sole.

PROBLEMA DELLA CANTINETTA PER VINO/BEVANDE?

È possibile risolvere molti problemi più comuni della cantinetta per vino/bevande, risparmiando il costo di una possibile chiamata di servizio. Provare i suggerimenti riportati di seguito per verificare se è possibile risolvere il problema prima di chiamare il servizio di assistenza.

GUIDA ALL'INDIVIDUAZIONE DEI PROBLEMI

PROBLEMA	POSSIBILE CAUSA
La cantinetta per vino/bevande non funziona.	Non collegata. L'elettrodomestico è spento. L'interruttore automatico è scattato o il fusibile è bruciato.
La cantinetta per vino/bevande non è sufficientemente fredda.	Verificare l'impostazione del controllo della temperatura. L'ambiente esterno può richiedere un'impostazione più elevata. La porta viene aperta con troppa frequenza. La porta è chiusa male. La guarnizione della porta non sigilla correttamente.
Si accende e spegne frequentemente.	La temperatura ambiente è più calda del normale. Una grande quantità di contenuto è stata aggiunta alla cantinetta per vino/bevande. La porta viene aperta con troppa frequenza. La porta è chiusa male. Il controllo della temperatura non è impostato correttamente. La guarnizione della porta non sigilla correttamente.
La luce non funziona.	Non collegata. L'interruttore automatico è scattato o il fusibile è bruciato. La lampadina è bruciata. Il pulsante della luce è spento.
Vibrazioni.	Controllare che la cantinetta per vino/bevande sia in piano.
La cantinetta per vino/bevande sembra essere troppo rumorosa.	Il rumore di battito può provenire dal flusso del refrigerante, che è normale. Al termine di ogni ciclo, potreste sentire dei gorgoglii causati dal flusso di refrigerante nella vostra cantinetta per vino/bevande. La contrazione e l'espansione delle pareti interne possono causare rumori di scoppiettio e crepitio. La cantinetta per vino/bevande non è in piano.
La porta non chiude in modo corretto.	La cantinetta per vino/bevande non è in piano. La porta è stata invertita e non è stata installata correttamente. La guarnizione è sporca. I ripiani non sono in posizione.

Per contattare l'assistenza tecnica, visitare il nostro sito Web: <https://corporate.haier-europe.com/en/>. Nella sezione "websites", scegli la marca del tuo prodotto e il tuo paese. Verrai reindirizzato al sito specifico dove potrai trovare il numero di telefono e il modulo per contattare l'assistenza tecnica

➤ **Disponibilita' dei ricambi**

- Termostati, sensori di temperatura, schede a circuiti stampati e sorgenti luminose sono disponibili per un periodo minimo di sette anni dall'immissione sul mercato dell'ultima unità del modello;
- Maniglie e cerniere delle porte, vassoi e cesti sono disponibili per un periodo minimo di sette anni e guarnizioni delle porte per un periodo minimo di dieci anni dall'immissione sul mercato dell'ultima unità del modello;

IMPOSTAZIONI DI TEMPERATURA consigliate

Per conservare TUTTI I TIPI DI VINI	12 °C to 14 °C
Per conservare TUTTI I TIPI DI VINI	
Champagne Sans Année	6 °C
Champagne millesimato	10 °C
Semillon bianco secco, Sauvignon Blanc	8 °C
Gewürztraminer bianco secco, Riesling	10 °C
Chardonnay bianco secco	10 °C
Chardonnay millesimato	14 °C
Bianchi dolci (Sauternes, Monbazillac), ice wine di vendemmia tardiva	10 °C
Sauternes millesimati (bianco dolce)	14 °C
Beaujolais	13 °C
Pinot Noir rosso	16 °C
Pinot Noir rosso millesimato	18 °C
Cabernet rosso, Merlot, francese, australiano, neozelandese, cileno, argentino, italiano, spagnolo, californiano	18 °C
Grenache rosso, Syrah	16 °C

Per ulteriori informazioni sul prodotto, consultare <https://eprel.ec.europa.eu/> o eseguire la scansione del QR sull'etichetta energetica fornita con l'apparecchio

Nederlands

Dank u voor de aanschaf van dit product.

Voordat u de koelkast gaat gebruiken dient u deze gebruiksaanwijzing aandachtig te lezen om de maximale prestaties van het apparaat te bereiken. Bewaar alle documentatie voor latere raadpleging of voor andere eigenaars. Dit product is uitsluitend bedoeld voor huishoudelijk gebruik of soortgelijke toepassingen, zoals:

- de personeelskeuken in winkels, kantoren en andere werkomgevingen
- op landbouwbedrijven, door cliënten in hotels, motels en andere woonomgevingen
- in Bed and Breakfasts (B&B)
- voor cateringservices en vergelijkbare toepassingen die niet voor retailverkoop zijn bedoeld.

Dit apparaat mag alleen worden gebruikt om voedsel te conserveren, elk ander gebruik wordt gevaarlijk geacht en de fabrikant aanvaardt geen aansprakelijkheid voor eventuele problemen. Verder adviseren wij u om de garantievoorwaarden te lezen.

VEILIGHEIDSINFORMATIE

Lees de bedienings- en installatieinstructies zorgvuldig door! Ze bevatten belangrijke informatie over de installatie, het gebruik en het onderhoud van het apparaat. De fabrikant is niet aansprakelijk als u zich niet aan de instructies en waarschuwingen houdt. Bewaar alle documenten voor volgend gebruik of voor de volgende eigenaar.

- **Sluit het apparaat niet aan op de elektriciteitsvoorziening voordat alle verpakkingen en transportbeschermers zijn verwijderd. Houd kinderen uit de buurt van verpakkingen en onderdelen. Gevaar voor verstikking van vouwdoosjes en plastic folie!**
- **Laat het apparaat minstens 4 uur staan voordat u het inschakelt, zodat de compressorolie kan bezinken na horizontaal transport**
- **Controleer bij levering of het product niet beschadigd is en of alle onderdelen en accessoires in perfecte staat zijn**
- **Beschadig het koelmiddelcircuit niet.**
- **Zorg dat de ventilatieopeningen in de omkasting van het apparaat of in de inbouwconstructie nooit verstopt raken of afgedekt worden**
- **Gebruik nooit water om de compressor te wassen, veeg deze na het reinigen grondig schoon met een droge doek om roestvorming te voorkomen**
- **Verplaats het apparaat altijd met ten minste twee personen, het is namelijk zwaar.**
- **Installeer het apparaat waterpas op een plaats die geschikt is voor de grootte en het gebruik ervan.**
- **Controleer of de elektrische informatie op het typeplaatje overeenkomt met de stroomvoorziening. Als dat niet het geval is, neem dan contact op met een elektricien.**
- **Het apparaat wordt gebruikt met een voeding van 220-240 VAC/50 Hz. Abnormale spanningsschommelingen kunnen ertoe leiden dat het apparaat niet start of dat de temperatuurregeling of de compressor beschadigd raakt of dat er tijdens het gebruik een abnormaal geluid optreedt. In dat geval moet er een automatische regelaar worden gemonteerd.**
- **Alleen voor Groot-Brittannië: Het netsnoer van het apparaat is voorzien van een 3-pins (geaarde) stekker die past op een**

standaard 3-pins (geaard) stopcontact. De derde pin (aarding) mag nooit worden afgesneden of gedemonteerd. Nadat het apparaat is geïnstalleerd, moet de stekker bereikbaar zijn.

- Zorg ervoor dat het netsnoer tijdens en na het dragen/verplaatsen van het apparaat niet onder het apparaat blijft vastzitten, om te voorkomen dat het netsnoer doorgesneden of beschadigd wordt. Als het netsnoer beschadigd is, moet het worden vervangen door de fabrikant, zijn servicevertegenwoordiger of andere bevoegde personen om gevaarlijke situaties te voorkomen
- Zet het apparaat niet op vochtige, olieachtige of stoffige plaatsen en stel het niet rechtstreeks bloot aan zonlicht en water
- Installeer het apparaat niet in de buurt van verwarmingen of ontvlambare materialen
- VOOR apparaten met een vriesvak: het deksel niet openen als er een stroomstoring is. Bevroren voedsel mag niet worden beïnvloed als de storing minder lang duurt dan de uren die op het etiket worden vermeld (Stijgtijd temperatuur). Als de storing langer duurt, moet het voedsel worden gecontroleerd en onmiddellijk worden geconsumeerd of bereid en daarna opnieuw ingevroren.
- Maakt u zich geen zorgen als het deksel van de diepvrieskist meteen nadat u hem heeft gesloten moeilijk te openen is. Dit komt door het drukverschil, dat gewoonlijk na enkele minuten verdwijnt waardoor het deksel gewoon kan worden geopend.
- Bewaar geen geneesmiddelen, bacteriën of chemische middelen in het apparaat. Dit apparaat is een huishoudelijk apparaat, het wordt niet aanbevolen om materialen op te slaan die strikte temperaturen vereisen.
- Trek niet aan het snoer en knik het niet; raak het niet met natte handen aan
- Bewaar geen producten die ontvlambare drijfgassen (bijv. spuitbussen) of explosieve stoffen bevatten in het apparaat. Risico op explosie!
- Plaats geen onstabiele voorwerpen (zware voorwerpen, containers gevuld met water) bovenop de koelkast, om persoonlijk letsel door vallen of elektrische schokken door contact met water te voorkomen.
- Gebruik geen elektrische apparaten in de bewaarvakken voor voedingsmiddelen van het apparaat, tenzij ze van het door de fabrikant aanbevolen type zijn
- Raak de interne koelelementen niet aan, vooral niet met natte handen, om scheuren of verwondingen te voorkomen
- Kinderen, mensen met beperkte lichamelijke, mentale of zintuiglijke vermogens, en mensen die onvoldoende kennis hebben

over de veilige bediening van het apparaat lopen een groter risico. Controleer of kinderen en kwetsbare mensen de gevaren hebben begrepen. Een persoon die verantwoordelijk is voor de veiligheid moet toezicht houden op of instructies geven aan kinderen en kwetsbare personen die het apparaat gebruiken. Alleen kinderen van 8 jaar en ouder mogen het apparaat gebruiken.

- Kinderen mogen niet met het apparaat spelen
- Kinderen van 3 tot 8 jaar mogen dit apparaat in- en uitladen
- VOOR apparaten met een vriesvak: bewaar geen vloeistoffen in flessen of blik (vooral geen koolzuurhoudende dranken) in het vriesvak. Flessen en blikken kunnen barsten!
- VOOR apparaten met een vriesvak: plaats bevroren voedsel nooit rechtstreeks uit het vriesvak in uw mond. Risico op vrieswonden!
- Houd plastic onderdelen en de afdichting van de deur vrij van olie en vet. Anders zullen plastic onderdelen en de deurafdichting poreus worden.
- Haal de stekker uit het stopcontact voordat u welke handeling dan ook op het apparaat gaat verrichten
- Gebruik geen mechanische apparaten of andere middelen om het ontdooien te versnellen, behalve degene die worden aanbevolen door de fabrikant
- Gebruik geen puntige of scherpe voorwerpen zoals messen of vorken om de ijsafzettingen te verwijderen. Gebruik nooit föhnen, elektrische verwarmingstoestellen of andere dergelijke elektrische apparaten om te ontdooien
- Geadviseerd wordt om de stekker schoon te houden, stof op de stekker kan de oorzaak zijn van brand
- Probeer het apparaat niet zelf te repareren, te demonteren of te wijzigen. In geval van reparatie kunt u altijd contact opnemen met onze klantenservice.
- Houd tijdens het schoonmaken of onderhouden van het apparaat toezicht op kinderen.
- Reinig de koude glazen planken niet met heet water. Door plotselinge temperatuurveranderingen kan het glas breken.
- WAARSCHUWING: De leidingen van het koelcircuit transporteren een kleine hoeveelheid milieuvriendelijk maar ontvlambaar koelmiddel (R600a) en isolatiegas (cyclopentaan). Het is niet schadelijk voor de ozonlaag en vergroot het broeikaseffect niet. Als het koelmiddel ontsnapt, kan het letsel aan uw ogen veroorzaken of ontbranden.
- Als het koelcircuit beschadigd raakt:
 - Schakel het apparaat uit en trek de stekker uit het stopcontact.

- Houd open vlammen en/of ontstekingsbronnen uit de buurt van het apparaat.
- Ventileer de ruimte enkele minuten grondig.
- Breng de klantenservice op de hoogte.
- **WAARSCHUWING:** Beschadig de stekker en/of het netsnoer niet; dit kan elektrische schokken of brand veroorzaken.
- **WAARSCHUWING:** Gebruik geen meerdere draagbare stopcontacten of draagbare voedingen. We raden het gebruik van verlengsnoeren en multi-adapters niet aan."
- Probeer niet op de bovenkant van het apparaat te zitten of staan. U kunt uzelf verwonden of het apparaat beschadigen. Dit apparaat is niet ontworpen om op andere apparaten te stapelen.
- Het product is uitsluitend ontworpen en gebouwd voor huishoudelijk gebruik
- Alleen originele onderdelen die door de fabrikant worden geleverd, mogen worden gebruikt. De fabrikant garandeert dat alleen deze onderdelen aan de veiligheidseisen voldoen.
- Het langdurig openen van de deur kan leiden tot een aanzienlijke verhoging van de temperatuur in de compartimenten van het apparaat
- Reinig regelmatig oppervlakken die in contact kunnen komen met levensmiddelen en toegankelijke afvoersystemen
- Reinig waterreservoirs als ze 48 uur niet zijn gebruikt; spoel de waterinstallatie door als er gedurende 5 dagen geen water is aangezogen
- Bewaar rauw vlees en vis in geschikte recipiënten in de koelkast, zodat deze niet in contact komen met of druipen op ander voedsel
- De diepvriesvakken met twee sterren (als ze in het apparaat aanwezig zijn) zijn geschikt voor het bewaren van vooringevroren levensmiddelen, het bewaren of maken van ijs en het maken van ijsblokjes
- Een-, twee- en drie-sterren compartimenten (als ze in het apparaat aanwezig zijn) zijn niet geschikt voor het invriezen van verse levensmiddelen
- Als het apparaat gedurende lange tijd leeg is, moet u het uitschakelen, ontdooien, reinigen, drogen en de deur open laten om schimmelvorming in het apparaat te voorkomen
- Voor wijnbewaarkasten: Dit apparaat is uitsluitend bedoeld voor het bewaren van wijn
- Voor een vrijstaand apparaat: Dit koelapparaat is niet bedoeld om te worden gebruikt als inbouwapparaat
- Voor apparaten zonder 4-sterrencompartiment: dit koelapparaat is niet geschikt voor het invriezen van levensmiddelen

Afdanken van oude apparaten



Dit apparaat is voorzien van een merkteken in overeenstemming met de Europese richtlijn 2012/19/EU inzake Afdankte Elektrische en Elektronische Apparatuur (AEEA).

AEEA bevat vervuilende stoffen (die negatieve gevolgen voor het milieu kunnen hebben) en basisonderdelen (die hergebruikt kunnen worden). Het is belangrijk om AEEA specifieke behandelingen te laten ondergaan, teneinde alle vervuilende stoffen te verwijderen of op de juiste manier af te voeren en alle materialen terug te winnen en te recyclen.

Personen kunnen een belangrijke rol spelen om ervoor te zorgen dat AEEA niet in het milieu terecht komt; hiervoor moeten enkele elementaire regels worden gevolgd:

- AEEA mag niet worden behandeld als gewoon huisvuil;
- AEEA moet naar een speciaal gemeentelijk inzamelpunt of naar geregistreerde bedrijven worden gebracht. In veel landen wordt grote AEEA thuis opgehaald.

Wanneer u een nieuw apparaat koopt, kunt u in veel landen uw oude apparaat inleveren bij de leverancier, die het gratis meeneemt, zolang de apparatuur van hetzelfde type is en dezelfde functies heeft als de geleverde apparatuur.

Naleving

Door het aanbrengen van de **CE**-markering op dit product, verklaren wij onder onze eigen verantwoordelijkheid dat dit product in overeenstemming is met alle Europese wettelijke voorschriften met betrekking tot de vereisten inzake veiligheid, gezondheid en milieu.

Garantie

Minimumgarantie is: 2 jaar voor EU-landen, 3 jaar voor Turkije, 1 jaar voor het Verenigd Koninkrijk, 1 jaar voor Rusland, 3 jaar voor Zweden, 2 jaar voor Servië, 5 jaar voor Noorwegen, 1 jaar voor Marokko, 6 maanden voor Algerije, Tunesië geen wettelijke garantie vereist.

Energiebesparing

Voor meer energiebesparing adviseren we het volgende:

- Plaats het apparaat uit de buurt van warmtebronnen en niet blootgesteld aan direct zonlicht, in een goed geventileerde ruimte.
- Vermijd het plaatsen van warm voedsel in de koelkast om te voorkomen dat de interne temperatuur stijgt en dat de compressor dus continu in werking blijft.
- Zet niet te veel voedsel in het apparaat, want er moet voldoende lucht kunnen circuleren.
- Ontdooi het apparaat als er zich ijs gevormd heeft, om de koudeoverdracht te bevorderen.
- Als de stroom uitvalt, is het raadzaam de koelkastdeur gesloten te houden.
- Open de deuren van het apparaat zo weinig mogelijk en houd ze zo kort mogelijk open.
- Zet de thermostaat niet op te lage temperaturen.
- Verwijder het stof van de achterkant van het apparaat.

INSTALLATIE-INSTRUCTIES

➤ **Voordat u uw wijnkoeler gebruikt**

- Verwijder de buiten- en binnenverpakking.
- Laat de wijnkoeler ongeveer 2 uur rechtop staan voordat u deze aansluit op de netvoeding. Dit verkleint de mogelijkheid van een storing in het koelsysteem door hantering tijdens het transport.
- Reinig de binnenkant met lauw water en een zachte doek.
- Dit apparaat is bedoeld voor huishoudelijk gebruik en soortgelijke toepassingen zoals:
 - personeelskeukens in winkels, kantoren en andere werkomgevingen;
 - boerderijen en door gasten in hotels, motels en andere verblijfsomgevingen;
 - B&B's;
 - catering- en soortgelijke non-retail-toepassingen.
- Kies bij het afdanken van uw apparaat voor een geautoriseerde afvoerlocatie.

➤ **Installatie van uw wijnkoeler**

- Dit apparaat is ontworpen voor vrijstaande installatie of ingebouwde (volledig verzonken) installatie (raadpleeg de sticker aan de achterkant van dit apparaat).
- **Dit apparaat is uitsluitend bedoeld voor het bewaren van wijn of dranken.**
- Plaats uw wijnkoeler op een vloer die sterk genoeg is om hem te ondersteunen wanneer hij volledig volgeladen is. Om uw wijnkoeler waterpas te zetten, stelt u de nivelleringspoot aan de voorzijde aan de onderkant van de wijnkoeler af.
- Dit apparaat gebruikt brandbaar koudemiddel. Beschadig de koelleidingen dus nooit tijdens het transport. Plaats de wijnkoeler uit de buurt van direct zonlicht en warmtebronnen (fornuis, verwarming, radiator enz.). Direct zonlicht kan de acrylcoating beïnvloeden en warmtebronnen kunnen het elektriciteitsverbruik verhogen. Extreme koude omgevingstemperaturen kunnen er ook voor zorgen dat het apparaat niet goed werkt.
- Plaats het apparaat niet in vochtige ruimtes.
- Sluit de wijnkoeler aan op een apart, correct geïnstalleerd stopcontact. Verwijder de derde (aard)pin nooit, onder geen enkele omstandigheid, uit de stekker van het netsnoer. Alle vragen met betrekking tot de stroomvoorziening en/of aarding dienen te worden gericht aan een erkende elektricien of een erkend productenservicecenter.

➤ **Let op**

- Bewaar wijn in verzegelde flessen;
- Laad de kast niet te vol;
- Open de deur niet, tenzij nodig;
- Bedek schappen niet met aluminiumfolie of enig ander materiaal dat de luchtcirculatie kan verhinderen;
- Als de wijnkoeler langdurig zonder gebruik wordt bewaard, wordt aanbevolen om na een zorgvuldige reiniging de deur op een kier te laten staan zodat er lucht in de kast kan circuleren, om mogelijke vorming van condens, schimmel of geuren te voorkomen.

➤ **Omgevingstemperatuurlimieten**

Dit apparaat is ontworpen om te werken bij omgevingstemperaturen die worden gespecificeerd door de temperatuurklasse die op het typeplaatje is aangegeven.





- Uitgebreid gematigd (SN): "dit koelapparaat is bedoeld voor gebruik bij omgevingstemperaturen van 10 °C tot 32 °C"
- Gematigd (N): "dit koelapparaat is bedoeld voor gebruik bij omgevingstemperaturen van 16 °C tot 32 °C"
- Subtropisch (ST): "dit koelapparaat is bedoeld voor gebruik bij omgevingstemperaturen van 16 °C tot 38 °C"

- Tropisch (T): “dit koelapparaat is bedoeld voor gebruik bij omgevingstemperaturen van 16 °C tot 43 °C”



BEDIENEN VAN UW WIJNKOELER EN INSTELLEN VAN DE TEMPERATUURREGELING

➤ Instructie bedieningssysteem



- **Knop “  ”**
De stroom in-/uitschakelen. (Houd deze knop ongeveer 3 seconden ingedrukt);
- **Knop “  ”**
De temperatuur in stappen van 1°C verhogen (warmer maken).
- **Knop “  ”**
De temperatuur in stappen van 1°C verlagen (kouder maken).
- **Knop “  ”**
De binnenverlichting in-/uitschakelen.
- **Indicatielampje**
Compressor in bedrijf.
- **LCD-scherm**
Toont de ingestelde temperatuur.

➤ De temperatuurregelingen instellen

- Om de temperatuur in te stellen, sluit u het netsnoer aan op een goed geaard stopcontact. In geval van stroomonderbreking wordt de vorige temperatuurinstelling automatisch gewist en wordt de temperatuur standaard ingesteld op een vooraf ingestelde temperatuurinstelling van 12°C
- Stel de gewenste koeltemperatuur in door op de knoppen naast de indicatielampjes “  ” of “  ” te drukken. Bij elke druk op de knop scrolt u door de beschikbare temperatuurinstellingen, in stappen van 1°C.
- De temperatuurinstelling kan worden aangepast van 5°C tot 18°C.
- Als u elke werkelijke binnentemperatuur wilt zien, houdt u de knop “  ” of “  ” 3 seconden ingedrukt. De LED gaat knipperen en geeft de werkelijke temperatuur weer. Nadat u de knop heeft losgelaten stopt de LED met knipperen en wordt de ingestelde temperatuur weergegeven.

Knipperende LED = Kasttemperatuur

Ononderbroken brandende LED = Ingestelde temperatuur

➤ **Binnenverlichting**

Om het energieverbruik te verminderen, schakelt deze wijnkast na 10 minuten automatisch de LED-lampjes uit.

Als u wilt dat het LED-lampje continu blijft branden, is dit mogelijk. Houd de "LAMP"-knop 5 seconden ingedrukt, het display geeft "LP" weer. Na 4 seconden zal het scherm weer normaal worden en zal het licht blijven branden totdat het handmatig wordt uitgeschakeld.

Als u terug wilt keren en energie wilt besparen (aanbevolen), houd dan de "LAMP"-knop 5 seconden ingedrukt; het display geeft "LF" weer. Na 4 seconden zal het scherm weer normaal worden en wordt de verlichting automatisch uitgeschakeld na 10 minuten.

➤ **Temperatuuralarm**

Als de binnentemperatuur hoger is dan 23°C, wordt "HI" weergegeven op het display. Na één uur gaat het alarm / zoemer af. Dit geeft aan dat de binnentemperatuur te hoog is. Als de binnentemperatuur lager is dan 0°C, wordt "LO" weergegeven op het display. Tegelijk worden het alarm en de storingsindicator geactiveerd.

➤ **Functie temperatuurgeheugen**

In het geval van een stroomonderbreking kan de wijnkoeler de vorige temperatuurinstellingen onthouden. Wanneer de stroom wordt hersteld, zal de koelertemperatuur terugkeren naar dezelfde insteltemperatuur als toen de stroom werd onderbroken.

➤ **OPMERKING:**

- Als het apparaat is losgekoppeld, de stroom is uitgevallen of uitgeschakeld, moet u 3 tot 5 minuten wachten voordat u het apparaat opnieuw opstart. Als u voor deze tijdsvertraging probeert opnieuw op te starten, zal de wijnkoeler/drankenkoeler niet starten.
- Wanneer u de wijnkoeler/drankenkoeler voor het eerst gebruikt of de wijnkoeler/drankenkoeler opnieuw opstart nadat deze lange tijd uitgeschakeld is geweest, kan er een paar graden verschil zijn tussen de temperatuur die u selecteert en de temperatuur die wordt aangegeven op het LCD-scherm. Dit is normaal en komt door de duur van de activeringstijd. Zodra de wijnkoeler/drankenkoeler een paar uur in werking is, is alles weer normaal.

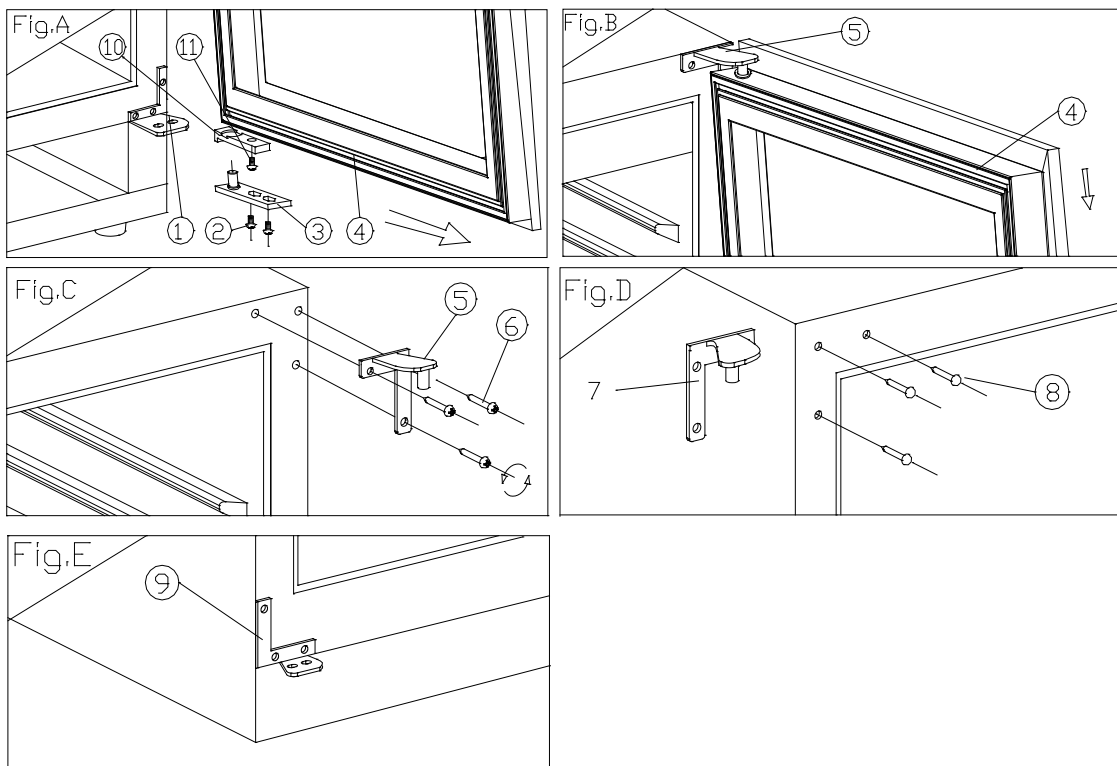
➤ **Veranderen van de deuropening**

Dit apparaat heeft omkeerbare deuren, maar wordt geleverd met een naar rechts openende deur. De linker scharnierkit wordt meegeleverd met de unit (in de doos), mocht u het scharnier op uw unit willen omdraaien.

Type A (voor volledig glazen / RVS deur)

- | | | |
|---------------------------------------|---------------------------------------|------------------------------|
| 1. Onderste scharnier (rechts) | 2 . Schroeven | 3. Deuras |
| 4. Deur | 5. Bovenste scharnier (rechts) | 6. Scharnierschroeven |
| 7. Bovenste scharnier (links) | 8. Plastic doppen | 9. Onderste |
| scharnier | | (links) |
| 10. Deurbegrenzer | 11. Schroef | |

1. Open de deur onder een hoek van 90 graden, haal de 2 schroeven (2) uit de onderste deuraras (3), verwijder de deur (4), verwijder de asplaat (3) uit de deur (Afb. A).
2. Draai de schroef (11) onder het deurframe en de begrenzer (10) los en plaats deze aan de linkerkant van het deurframe. (Afb. A/B)
3. Haal de 3 scharnierschroeven (6) uit het bovenste scharnier (rechts) (5) en verwijder deze. (Afb. C)
4. Verwijder de siernagel (8) van de linkerbovenkant van de kast en installeer het reservescharnier (links) (7) aan de linkerbovenkant van de kast met 3 schroeven. (Afb. D)
5. Installeer volgens de bovenstaande procedure het onderste reservescharnier aan de linkerkant (9). (Afb. E)
6. Installeer de deur en lijn hem uit.
7. Plaats de plastic doppen om de gaten (8) af te sluiten.



Type B (voor slanke roestvrijstalen deur)

1 Onderste scharnier
(rechts)

4 Deur

7 Bovenste scharnier
(links)

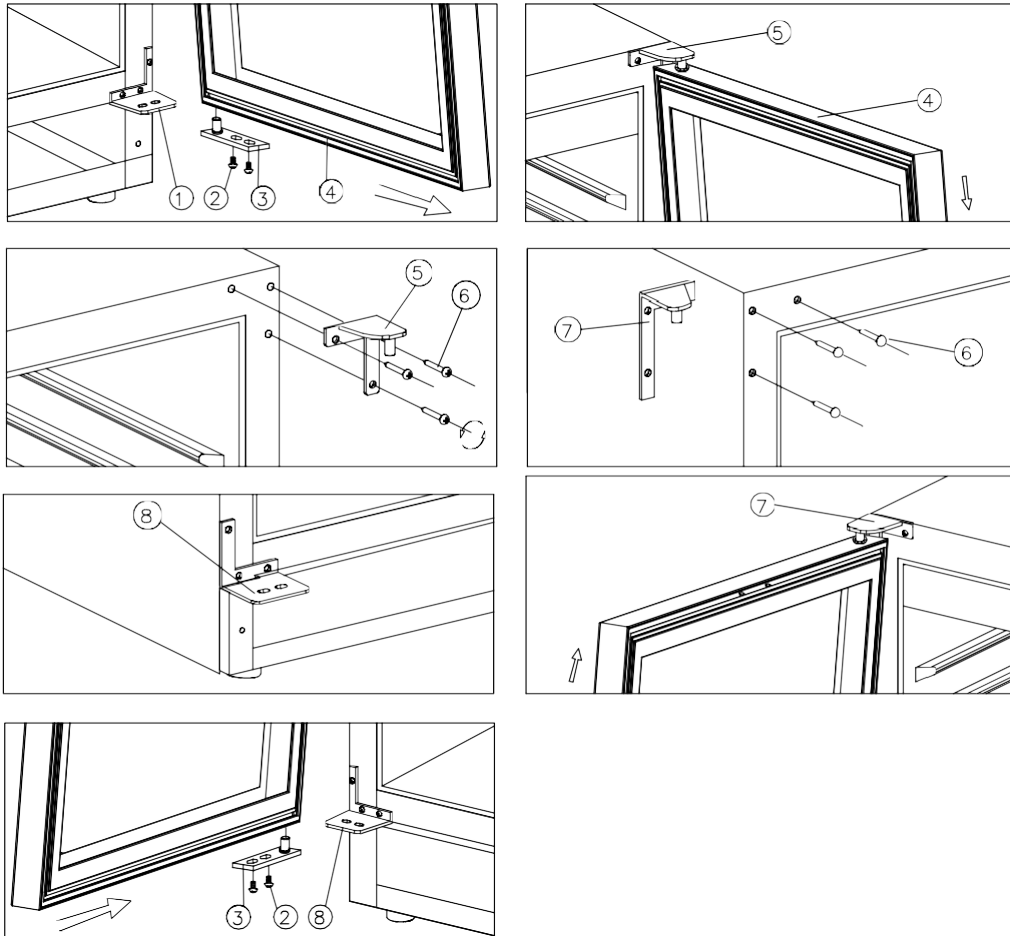
2 Schroeven

5 Bovenste scharnier
(rechts)

8 Onderste scharnier
(links)

3 Deuras

6 Schroeven

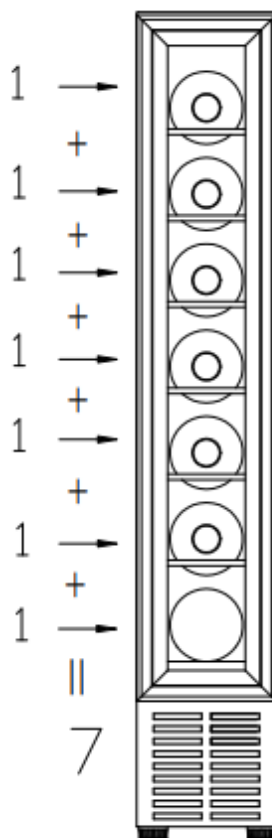


1. Verwijder 2 schroeven (2), trek vervolgens deur (4) in de richting van de pijl en het onderste scharnier (rechts)(1) zoals voor de montage. (Afb.A en Afb.B)
2. Verwijder 3 schroeven (6) van het scharnier rechtsboven en verwijder vervolgens de scharnieren rechtsboven (5) en rechtsonder (1). (Zie afb.C)
3. Gebruik de schroeven die u hebt verwijderd van de scharnieren aan de rechterkant om de scharnieren linksboven en -onder (7) (8) te bevestigen. (Zie Afb.D & Afb.E)
4. Draai de deur 180 graden en monteer de deur door de demontagehandelingen omgekeerd uit te voeren.

➤ **Opslagschema**

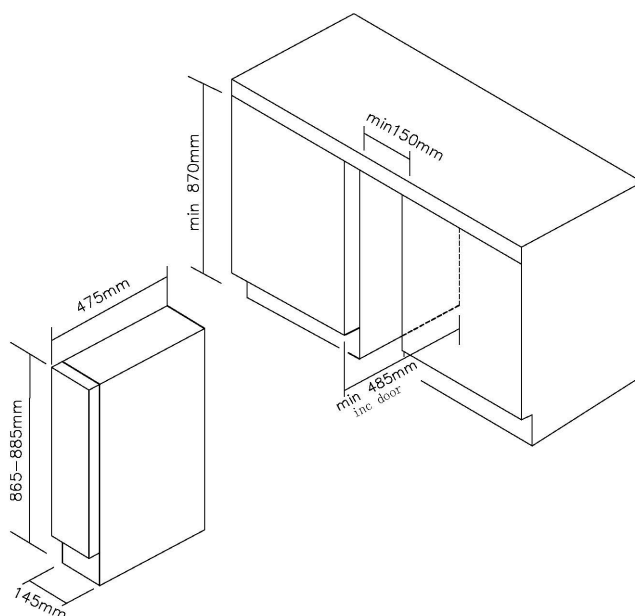
Controleer het opslagschema op basis van de configuratie van uw product.

Voor hoogte 865mm
Totaal: 7 flessen (max.)



De meest energiebesparende configuratie vereist dat planken in het product worden geplaatst, zie de bovenstaande afbeeldingen.

➤ **Installatiespecificaties voor ingebouwde apparaten**



VERZORGING EN ONDERHOUD

➤ Uw wijnkoeler schoonmaken

- Schakel de stroom uit, trek de stekker uit het stopcontact en verwijder alle items, inclusief schappen en rek.
- Was de binnenste oppervlakken met een sopje van warm water en soda. De oplossing moet ongeveer 2 eetlepels soda op een kwart liter water zijn.
- Was de schappen met een mild sopje.
- Wring overtollig water uit de spons of doek bij het reinigen van het gebied van de bedieningselementen of elektrische onderdelen.
- Was de buitenkant van de kast met warm water en mild vloeibaar reinigingsmiddel. Goed afspoelen en droogmaken met een schone zachte doek.

➤ Stroomuitval

- De meeste stroomstoringen worden binnen enkele uren hersteld en hebben geen invloed op de temperatuur van uw apparaat, als u het aantal keren dat de deur wordt geopend tot een minimum beperkt. Als de stroom voor langere tijd wordt uitgeschakeld, moet u de juiste maatregelen nemen om uw inhoud te beschermen.

➤ Vakantieperiode

- **Korte vakanties:** Laat de wijnkoeler ingeschakeld tijdens vakanties van korter dan drie weken.
- **Lange vakanties:** Als het apparaat meerdere maanden niet gebruikt gaat worden, verwijder dan alle items en schakel het apparaat uit. Maak de binnenkant grondig schoon en droog. Om geur- en schimmelgroei te voorkomen, laat u de deur op een kier: blokkeer deze indien nodig.

➤ De wijnkoeler verplaatsen

- Verwijder alle items.
- Zet alle losse voorwerpen (schappen) met tape stevig vast in uw apparaat.
- Draai de steloot omhoog naar de basis om schade te voorkomen.
- Plak de deur dicht met tape.
- Zorg ervoor dat het apparaat tijdens het transport rechtop blijft staan. Bescherm ook de buitenkant van het apparaat met een deken of iets dergelijks.

➤ Tips voor energiebesparing

- De wijnkoeler moet in het koelste gedeelte van de kamer worden geplaatst, uit de buurt van warmteproducerende apparaten en buiten direct zonlicht.

PROBLEMEN MET UW WIJNKOELER/DRANKENKOELER?

U kunt veel voorkomende problemen met wijnkoelers/drankenkoelers gemakkelijk oplossen, waardoor u de kosten van een mogelijk servicebezoek bespaart. Probeer de onderstaande suggesties om te zien of u het probleem kunt oplossen voordat u de servicemonteur belt.

PROBLEMEN OPLOSSEN

PROBLEEM	MOGELIJKE OORZAAK
Wijnkoeler/drankenkoeler werkt niet.	De stekker zit niet in het stopcontact. Het apparaat is uitgeschakeld. De stroomonderbreker is geactiveerd of zekering is gesprongen.
Wijnkoeler/drankenkoeler is niet koud genoeg.	Controleer de temperatuurinstelling. De externe omgeving kan een hogere instelling vereisen. De deur te vaak wordt geopend. De deur is niet volledig gesloten. De pakking van de deur is niet goed afgedicht.
De compressor gaat regelmatig aan en uit.	De kamertemperatuur is warmer dan normaal. Er is een grote hoeveelheid flessen in de wijnkoeler/drankenkoeler geplaatst. De deur te vaak wordt geopend. De deur is niet volledig gesloten. De temperatuurregeling is niet juist ingesteld. De pakking van de deur is niet goed afgedicht.
Het licht functioneert niet.	De stekker zit niet in het stopcontact. De stroomonderbreker is geactiveerd of zekering is gesprongen. De lamp is doorgebrand. De lichtknop is "UIT".
Trillingen.	Controleer of de wijnkoeler/drankenkoeler waterpas staat.
De wijnkoeler/drankenkoeler lijkt te veel lawaai te maken.	Het rammelende geluid kan afkomstig zijn van de stroming van het koelmiddel, dit is normaal. Aan het einde van elke cyclus kunt u gorgelende geluiden horen die worden veroorzaakt door de stroom koudemiddel in uw wijnkoeler/drankenkoeler. Het krimpen en uitzetten van de binnenwanden kan piepende en krakende geluiden veroorzaken. De wijnkoeler/drankenkoeler staat niet waterpas.
De deur sluit niet goed.	De wijnkoeler/drankenkoeler staat niet waterpas. De deur is omgedraaid en niet goed geïnstalleerd. De pakking is vuil. De schappen zitten niet goed op hun plaats.

Ga naar onze website om contact op te nemen met de technische ondersteuning:
<https://corporate.haier-europe.com/en/>. Kies onder de sectie "website" het merk van uw product en uw land. U wordt doorgestuurd naar de specifieke website waar u het telefoonnummer en formulier kunt vinden om contact op te nemen met de technische assistentie

➤ **Beschikbaarheid van reserveonderdelen**

- Thermostaten, temperatuursensoren, printplaten en lichtbronnen, voor een minimumperiode van zeven jaar nadat het laatste exemplaar van het model op de markt is gebracht;
- Deurklinken, deurscharnieren, bladen en manden voor een minimumperiode van zeven jaar en deurafdichtingen voor een minimumperiode van tien jaar, nadat het laatste exemplaar van het model op de markt is gebracht;

Aanbevolen TEMPERATUURINSTELLINGEN

Voor het bewaren VAN ALLE SOORTEN WIJN **12 °C to 14 °C**

Aanbevolen DRINKTEMPERATUUR

Champagne NV, mousserend	6 °C
Vintage champagne	10 °C
Droge witte semillon, sauvignon blanc	8 °C
Droge witte gewürztraminer, riesling	10 °C
Droge witte chardonnay	10 °C
Vintage chardonnay	14 °C
Zoete witte sauternes Monbazillac, "late oogst" ijswijn	10 °C
Zoete witte vintage sauternes	14 °C
Beaujolais	13 °C
Rode pinot noir	16 °C
Rode vintage pinot noir	18 °C
Rode cabernet, merlot, Frans, Australisch, Nieuw-Zeelands, Chileens, Argentijns, Italiaans, Spaans, Californisch	18 °C
Rode Grenache, Syrah	16 °C

Voor meer informatie over het product, raadpleeg <https://eprel.ec.europa.eu/> of scan de QR-code op het energielabel dat bij het apparaat is geleverd

Polskie

Dziękujemy za zakup tego produktu.

Przed użyciem swojej lodówki zapoznaj się uważnie z niniejszą instrukcją obsługi, aby zapewnić jej jak najlepsze działanie. Zachowaj całą dokumentację w razie potrzeby użycia jej w przyszłości lub dla kolejnych właścicieli. Produkt ten przeznaczony jest wyłącznie do użytku domowego lub podobnych zastosowań, na przykład:

- w strefie kuchennej dla personelu w sklepach, biurach oraz innych środowiskach roboczych;
- w gospodarstwach rolnych, hotelach, motelach oraz innych środowiskach typu mieszkalnego;
- w pensjonatach typu B&B;
- w ramach usług cateringowych i podobnych zastosowań niezwiązanych ze sprzedażą detaliczną.

Urządzenia tego należy używać wyłącznie do przechowywania żywności. Wszelkie inne zastosowania uważane są za niebezpieczne i producent nie będzie ponosił odpowiedzialności za jakiegokolwiek zaniedbania. Należy również mieć na uwadze warunki gwarancji.

INFORMACJE DOTYCZĄCE BEZPIECZEŃSTWA

Prosimy o uważne przeczytanie instrukcji obsługi i montażu! Zawierają one ważne informacje dotyczące instalacji, użytkowania i konserwacji urządzenia. Producent nie ponosi odpowiedzialności w przypadku nieprzestrzegania instrukcji i ostrzeżeń. Całą dokumentację należy zachować w celu skorzystania z niej w przyszłości lub dla kolejnych właścicieli.

- **Nie należy podłączać urządzenia do zasilania, dopóki wszystkie opakowania oraz elementy zabezpieczające podczas transportu nie zostaną usunięte. Należy trzymać dzieci z dala od opakowania i jego części. Niebezpieczeństwo uduszenia przez składane kartony i plastikową folię!**
- **Pozostawić urządzenie stojące przed uruchomieniem przez co najmniej 4 godziny, aby pozwolić olejowi w sprężarce ustabilizować się, jeśli urządzenie było transportowane w poziomie**
- **Po dostarczeniu produktu należy się upewnić, że nie jest on uszkodzony i że wszystkie jego części oraz akcesoria są w doskonałym stanie**
- **Nie dopuścić do uszkodzenia obwodu czynnika chłodniczego**
- **Nie zasłaniać otworów wentylacyjnych w obudowie urządzenia lub w szafce, w której je zabudowano**
- **Nigdy nie używać bezpośrednio wody do czyszczenia sprężarki, przetrzeć dokładnie suchą szmatką po wyczyszczeniu, aby uniknąć kurzu**
- **Zawsze przenoś urządzenie z pomocą co najmniej dwóch osób, ponieważ jest ono ciężkie.**
- **Zainstaluj i wypoziomuj urządzenie w miejscu odpowiednim dla jego wielkości i przeznaczenia.**
- **Upewnij się, że informacje dotyczące elektryki na tabliczce znamionowej są zgodne z parametrami zasilania. Jeśli tak nie jest, skontaktuj się z elektrykiem.**
- **Urządzenie jest zasilane prądem 220–240 V/50 Hz. Odbiegające od normy wahania napięcia mogą spowodować niewłączenie się urządzenia albo uszkodzenie regulatora temperatury lub sprężarki. Mogą też być przyczyną nietypowego hałasu podczas pracy. W**

takim przypadku powinien zostać zamontowany automatyczny regulator.

- Tylko dla Wielkiej Brytanii: Kabel zasilający urządzenie jest wyposażony we wtyczki z 3 bolcami (z uziemieniem), która pasuje do standardowego gniazda z 3 przewodami (z uziemieniem). Nigdy nie odcinaj ani nie wyjmuj trzeciego bolca (z uziemieniem). Po zainstalowaniu urządzenia powinien być dostęp do wtyczki.
- Upewnić się, że kabel zasilania sieciowego nie jest przytrzaśnięty pod urządzeniem podczas przenoszenia go lub po tego typu czynności, aby uniknąć przecięcia go lub uszkodzenia. W razie uszkodzenia przewodu zasilającego powinien on zostać wymieniony przez producenta, jego serwisanta lub inną wykwalifikowaną osobę, aby uniknąć zagrożenia
- Nie instalować urządzenia w wilgotnych, oleistych lub zakurzonych pomieszczeniach ani nie narażać go na bezpośrednie promienie słoneczne lub wodę
- Nie instalować urządzenia w pobliżu grzejników lub materiałów łatwopalnych
- DLA urządzeń z zamrażalnikiem: w przypadku awarii zasilania nie otwierać pokrywy. Zamrożona żywność nie powinna się zepsuć, jeśli awaria trwa krócej niż godziny wskazane na etykiecie (czas wzrostu temperatury). W przypadku dłuższych awarii żywność należy sprawdzić i niezwłocznie spożyć lub ugotować i ponownie zamrozić.
- Utrudnione otwieranie pokrywy urządzenia zaraz po jej zamknięciu nie świadczy o awarii. Przyczyną jest różnica ciśnień, która po kilku minutach powinna się wyrównać, umożliwiając normalne otwarcie urządzenia.
- Nie przechowuj w urządzeniu leków, bakterii lub substancji chemicznych. To urządzenie służy do użytku domowego, nie zaleca się przechowywania materiałów, które wymagają ściśle określonej temperatury.
- Nie dociskać nadmiernie ani nie zginać przewodu zasilającego i nie dotykać wtyczki mokrymi dłońmi
- Nie przechowywać w urządzeniu produktów zawierających łatwopalny gaz napędowy (np. puszki z aerozolem) lub substancji wybuchowych. Ryzyko wybuchu!
- Na lodówce nie należy umieszczać niestabilnych przedmiotów (ciężkich przedmiotów, pojemników wypełnionych wodą), aby uniknąć obrażeń ciała spowodowanych upadkiem lub porażeniem prądem elektrycznym w wyniku kontaktu z wodą.

- Nie używać urządzeń elektrycznych wewnątrz komór urządzenia do przechowywania żywności, o ile nie są to urządzenia zalecane przez producenta
- Nie dotykać wewnętrznych elementów chłodzących, zwłaszcza mokrymi rękoma, aby uniknąć uszkodzeń lub obrażeń
- Zagrożone są tutaj dzieci, osoby o ograniczonych zdolnościach fizycznych, umysłowych lub sensorycznych, a także osoby, które nie posiadają wystarczającej wiedzy na temat bezpiecznej obsługi urządzenia. Upewnij się, czy dzieci i osoby narażone na uraz zrozumiały zagrożenia. Osoba odpowiedzialna za bezpieczeństwo musi nadzorować lub poinstruować dzieci i osoby narażone na uraz, które obsługują urządzenie. Z urządzenia mogą korzystać dzieci w wieku od 8 lat.
- Nie należy zezwalać dzieciom na zabawę z urządzeniem
- Dzieci w wieku od 3 do 8 lat mogą wkładać produkty do tego urządzenia lub je z niego wyjmować
- W PRZYPADKU urządzeń z zamrażalnikiem: nie przechowuj płynów butelkowanych lub konserwowanych (zwłaszcza napojów gazowanych) w zamrażarce. Butelki i puszki mogą pęknąć!
- W PRZYPADKU urządzeń z zamrażalnikiem: nigdy nie spożywaj mrożonek bezpośrednio wyciągniętych prosto z zamrażalnika. Ryzyko poparzenia niskotemperaturowego!
- Chronić plastikowe części i uszczelkę drzwi przed olejem i smarem. W przeciwnym razie plastikowe części i uszczelka drzwi staną się porowate.
- Przed wykonaniem jakiegokolwiek czynności odłączyć kabel zasilający od gniazdka zasilającego
- Nie używać urządzeń mechanicznych ani innych środków do przyspieszania procesu rozmrażania, o ile nie są one zalecane przez producenta
- Nie używać ostrych lub szpiczastych przedmiotów, takich jak noże lub widelce, do usuwania szronu. Nigdy nie używać do rozmrażania suszarek do włosów, grzałek elektrycznych lub innych urządzeń elektrycznych
- Zaleca się utrzymywać wtyczkę w czystości. Wszelkie nadmierne pozostałości kurzu na wtyczce mogą spowodować pożar
- Nie należy próbować samodzielnie naprawiać, demontować ani modyfikować urządzenia. W przypadku konieczności naprawy prosimy o kontakt z naszym działem obsługi klienta.
- Nadzoruj dzieci podczas czyszczenia lub konserwacji urządzenia.
- Nie czyść zimnych szklanych półek gorącą wodą. Nagła zmiana temperatury może spowodować pęknięcie szkła.

- **OSTRZEŻENIE:** Rury obwodu chłodniczego przenoszą niewielką ilość przyjaznego dla środowiska, ale łatwopalnego czynnika chłodniczego (R600a) i gazu izolacyjnego (cyklopentan). Nie niszczy warstwy ozonowej i nie zwiększa efektu cieplarnianego. Wyciek czynnika chłodniczego może spowodować obrażenia oczu lub zapalenie się.
- **W razie uszkodzenia obwodu czynnika chłodniczego:**
 - Wyłącz urządzenie i wyciągnij wtyczkę z gniazdka,
 - Trzymaj otwarty ogień i/lub źródła zapłonu z dala od urządzenia,
 - Dokładnie przewietrz pomieszczenie przez kilka minut,
 - Poinformuj obsługę klienta.
- **OSTRZEŻENIE:** Nie uszkodź wtyczki ani przewodu zasilającego, ponieważ może to spowodować porażenie elektryczne lub pożar.
- **OSTRZEŻENIE:** Nie używaj wielu przenośnych gniazdek ani przenośnych zasilaczy. Odradzamy korzystanie z przedłużaczy i rozgałęźników.
- Nie próbuj siadać ani stawać na górze urządzenia. Grozi to urazami lub uszkodzeniem urządzenia. Urządzenie nie jest przystosowane do ustawiania jedno na drugim razem z innymi.
- Produkt ten jest projektowany i produkowany wyłącznie z myślą o użytku domowym
- Wolno używać tylko oryginalnych części dostarczonych przez producenta. Producent gwarantuje, że tylko te części spełniają wymogi bezpieczeństwa.
- Pozostawienie na dłużej otwartych drzwiczek może spowodować wzrost temperatury w komorach urządzenia
- Czyścić regularnie powierzchnie, które mogą mieć kontakt z żywnością i dostępnymi systemami odprowadzania wody
- Wyczyścić zbiorniki na wodę, jeśli nie były one używane przez 48 godzin; przepłukać system wodny podłączony do zasilania urządzenia, jeśli woda nie była pobierana przez 5 dni
- Umieszczać surowe mięso i ryby w odpowiednich pojemnikach w chłodziarce, aby nie miały one kontaktu z inną żywnością ani nie skapywały na nią żadne płyny
- Szuflady na zamrożoną żywność oznaczone dwoma gwiazdkami (o ile znajdują się one w urządzeniu) przeznaczone są do przechowywania wstępnie zamrożonej żywności, przechowywania lub wytwarzania lodów i kostek lodu
- Szuflady z jedną, dwoma lub trzema gwiazdkami (o ile znajdują się one w urządzeniu) nie nadają się do zamrażania świeżej żywności
- Jeśli urządzenie zostanie pozostawione puste przez dłuższy czas, należy je wyłączyć, rozmrozić, wyczyścić, wysuszyć i pozostawić drzwiczki otwarte, aby uniknąć rozwoju w urządzeniu pleśni

- **W przypadku urządzeń do przechowywania wina: Urządzenie przeznaczone wyłącznie do przechowywania wina**
- **W przypadku urządzenia wolnostojącego zamieszcza się ostrzeżenie: To urządzenie chłodnicze nie jest przeznaczone do użytku jako urządzenie do zabudowy**
- **W przypadku urządzeń bez komory czterogwiazdkowej: To urządzenie chłodnicze nie jest odpowiednie na potrzeby zamrażania środków spożywczych**

Usuwanie starych urządzeń



Urządzenie to posiada oznaczenie zgodne z dyrektywą europejską 2012/19/UE w sprawie zużytego sprzętu elektrycznego i elektronicznego (WEEE).

WEEE zawiera zarówno substancje zanieczyszczające (które mogą powodować negatywne skutki dla środowiska), jak i podstawowe komponenty (które mogą zostać ponownie użyte). Ważne jest poddawanie WEEE specyficznej obróbce, aby usuwać i prawidłowo utylizować wszelkie elementy zanieczyszczające, a także odzyskiwać i poddawać recyklingowi wszelkie możliwe materiały.

Ludzie mogą odgrywać ważną rolę w zapewnianiu, że WEEE nie stanie się problemem środowiskowym; ważne jest przestrzeganie pewnych podstawowych zasad:

- WEEE nie powinien być traktowany tak samo jak inne odpady domowe;
- WEEE powinien być przekazywany do właściwych punktów zbiórki odpadów obsługiwanych przez gminę lub zarejestrowane przedsiębiorstwa. W wielu krajach w przypadku dużych WEEE może być przewidziany odbiór bezpośrednio z posesji.

W wielu krajach, kiedy kupuje się nowe urządzenie, stare urządzenie można zwrócić sprzedawcy, który odbierze je za darmo na zasadzie „urządzenie za urządzenie”, pod warunkiem, że urządzenie jest odpowiedniego typu i posiada te same funkcje co nowy dostarczony sprzęt.

Zgodność

Poprzez umieszczenie oznaczenia **CE** na tym produkcie potwierdzamy, że urządzenie to jest zgodne ze wszelkimi dotyczącymi tego produktu obowiązującymi prawnie wymogami europejskimi w zakresie bezpieczeństwa, zdrowia i środowiska.

Gwarancji

Minimalny okres gwarancji: Kraje UE – 2 lata, Turcja – 3 lata, Wielka Brytania – rok, Rosja – rok, Szwecja – 3 lata, Serbia – 2 lata, Norwegia – 5 lat, Maroko – rok, Algieria – 6 miesięcy, Tunezja – gwarancja prawna nie jest wymagana

Oszczędzanie energii

Aby zapewnić wyższą oszczędność energii, sugerujemy:

- zainstalować urządzenie z dala od źródeł ciepła i nie wystawiać go na bezpośrednie działanie promieni słonecznych, w dobrze wentylowanym pomieszczeniu;
- unikać umieszczania w chłodziarce gorącej żywności, aby zapobiec wzrostowi temperatury zewnętrznej, a tym samym powodowaniu ciągłego działania sprężarki;
- nie wkładać nadmiernej ilości żywności, aby zapewnić prawidłową cyrkulację;
- rozmrozić urządzenie w razie pojawienia się w nim lodu w celu ułatwienia przenikania zimna;
- w razie braku energii elektrycznej zaleca się pozostawić drzwiczki chłodziarki zamknięte;
- jak najrzadziej otwierać drzwiczki urządzenia i jak najkrócej pozostawiać je otwarte;
- unikać ustawiania zbyt niskich temperatur;
- usuwać kurz z tylnej części urządzenia.

INSTRUKCJA INSTALACJI

➤ **Przed użyciem chłodziarki do wina**

- Wyjąć uszczelkę zewnętrzną i wewnętrzną.
- Przed podłączeniem chłodziarki do wina do źródła zasilania należy pozostawić ją w pozycji pionowej na około 2 godziny. Zmniejszy to ryzyko nieprawidłowego działania układu chłodzenia w wyniku przenoszenia urządzenia podczas transportu.
- Oczyszczyć powierzchnię wnętrza letnią wodą za pomocą miękkiej ściereczki.
- To urządzenie jest przeznaczone do użytku w gospodarstwach domowych i podobnych zastosowaniach, takich jak:
 - w kuchniach pracowniczych w sklepach, biurach i innych miejscach pracy;
 - w gospodarstwach rolnych; przez klientów w hotelach, motelach i innych środowiskach mieszkalnych;
 - w środowiskach typu „bed and breakfast”;
 - w ramach usług cateringowych i podobnych zastosowań niezwiązanych ze sprzedażą detaliczną.
- Podczas utylizacji urządzenia należy wybrać miejsce utylizacji posiadające odpowiednie uprawnienia.

➤ **Instalacja chłodziarki do wina**

- Urządzenie to przeznaczone jest do instalacji wolnostojącej lub do zabudowy (pełnej) (patrz umiejscowienie naklejek na tylnej części urządzenia).
- **Urządzenie to jest przeznaczone wyłącznie do przechowywania wina lub innych napojów.**
- Ustawić chłodziarkę do wina na wystarczająco mocnej podłodze, aby utrzymać ją po pełnym załadunku urządzenia. Aby wypoziomować chłodziarkę do wina, należy wyregulować przednią nóżkę poziomującą w dolnej części urządzenia.
- W urządzeniu tym zastosowano łatwopalny czynnik chłodzący. Należy uważać, aby nie uszkodzić rurek układu chłodzenia podczas transportu. Chłodziarkę do wina należy ustawić z dala od bezpośredniego światła słonecznego i źródeł ciepła (kuchenka, grzejnik itp.). Bezpośrednie działanie promieni słonecznych może wpływać na powłokę akrylową, a źródła ciepła mogą powodować wzrost zużycia energii elektrycznej. Ekstremalnie niskie temperatury otoczenia mogą również być przyczyną nieprawidłowego działania urządzenia.
- Unikać umieszczania urządzenia w miejscach o dużej wilgotności.
- Podłączyć chłodziarkę do przeznaczonego tylko na nią, odpowiednio uziemionego gniazdka ściennego. W żadnym wypadku nie należy przecinać ani usuwać z przewodu zasilającego trzeciego bolca uziemiającego. Wszelkie pytania dotyczące zasilania i uziemienia należy kierować do upoważnionego elektryka lub autoryzowanego centrum serwisowania produktów.

➤ **Uwaga:**

- Wino należy przechowywać w zamkniętych butelkach;
- Nie przeciążać obudowy;
- Nie otwierać drzwiczek, gdy nie jest to konieczne;
- Nie przykrywać półek folią aluminiową lub jakimkolwiek innym materiałem, który może uniemożliwić cyrkulację powietrza;
- Jeśli chłodziarka do wina nie będzie używana przez dłuższy czas, zaleca się, aby po starannym wyczyszczeniu jej pozostawić drzwiczki uchylone, aby umożliwić cyrkulację powietrza wewnątrz obudowy w celu uniknięcia powstawania kropliny, pleśni lub nieprzyjemnych zapachów.

➤ **Ograniczenia związane z temperaturą otoczenia**





Urządzenie to jest przystosowane do pracy w temperaturach otoczenia przewidzianych przez klasę temperatury podaną na tabliczce znamionowej.

- Rozszerzona umiarkowana (SN): dodaje się ostrzeżenie: „Urządzenie chłodnicze jest przeznaczone do użytku w temperaturze otoczenia mieszczącej się w zakresie od 10 °C do 32 °C”
- Umiarkowana: dodaje się ostrzeżenie (N): „Urządzenie chłodnicze jest przeznaczone do użytku w temperaturze otoczenia mieszczącej się w zakresie od 16 °C do 32 °C”
- Subtropikalna: dodaje się ostrzeżenie (ST): „Urządzenie chłodnicze jest przeznaczone do użytku w temperaturze otoczenia mieszczącej się w zakresie od 16 °C do 38 °C”
- Tropikalna: dodaje się ostrzeżenie (T): „Urządzenie chłodnicze jest przeznaczone do użytku w temperaturze otoczenia mieszczącej się w zakresie od 16 °C do 43 °C”





DZIAŁANIE CHŁODZIARKI DO WINA I USTAWIANIE TEMPERATURY

➤ Instrukcja systemu sterowania



- Przycisk „”
Aby włączyć/wyłączyć zasilanie. (Nacisnąć i przytrzymać ten przycisk przez około 3 sekundy);
- Przycisk „”
Aby podnieść (ogrzać) temperaturę w odstępach co 1°C.
- Przycisk „”
Aby obniżyć (schłodzić) temperaturę w odstępach co 1°C.
- Przycisk „”
Włączanie/wyłączanie oświetlenia wewnętrznego.
- **wskaźnik świetlny**
Sprężarka na wyświetlaczu.
- **Okno wyświetlacza LED**
Do wyświetlania ustawionej temperatury.

➤ Ustawianie temperatury

- Aby ustawić temperaturę, należy podłączyć przewód zasilający do prawidłowo uziemionego gniazdka. W przypadku przerwy w zasilaniu poprzednie ustawienie temperatury zostanie automatycznie skasowane i domyślnie ustawioną temperaturą będzie 12°C.
- Ustawić żądaną temperaturę chłodzenia, naciskając przyciski obok wskaźników „” lub „”.
- Każde naciśnięcie przycisków zmienia temperaturę w odstępach co 1°C.
- Ustawienie temperatury można regulować w zakresie od 5°C do 18°C.
- Jeśli zamierza się wyświetlić aktualną temperaturę wewnętrzną, należy nacisnąć i przytrzymać przycisk „” lub przycisk „” i przytrzymać przez 3 sekundy, po czym dioda zacznie migać i rzeczywista temperatura zostanie wyświetlona. Po zwolnieniu przycisku po 5 sekundach dioda przestanie migać, a następnie na wyświetlaczu ponownie będzie widnieć ustawiona temperatura.

Migająca dioda = temperatura w komorze

Dioda świecąca światłem stałym = ustawiona temperatura

➤ **Oświetlenie wewnętrzne**

Aby zmniejszyć zużycie energii, niniejsza chłodziarka do wina automatycznie wyłączy oświetlenie LED po 10 minutach.

Jeśli oświetlenie LED ma świecić stale, jest to możliwe. Należy nacisnąć i przytrzymać przycisk oświetlenia przez 5 sekund, a na wyświetlaczu pojawi się wskazanie „LP”. Po 4 sekundach wyświetlacz powróci do normalnego stanu, a oświetlenie pozostanie włączone aż do ręcznego wyłączenia go.

Jeśli zamierza się powrócić do trybu oszczędzania energii (zalecanego), należy nacisnąć i przytrzymać przycisk oświetlenia przez 5 sekund, a na wyświetlaczu pojawi się wskazanie „LF”. Po 4 sekundach wyświetlacz powróci do normalnego stanu, a oświetlenie wyłączy się automatycznie po 10 minutach.

➤ **Alarm o temperaturze**

Jeśli temperatura w urządzeniu jest wyższa niż 23°C, na wyświetlaczu pojawi się wskazanie „HI” i po godzinie zostanie wyemitowany sygnał alarmowy/ wygenerowany alarm. Oznacza to, że temperatura wewnątrz urządzenia jest zbyt wysoka. Jeśli temperatura wewnętrzna jest niższa niż 0°C, na wyświetlaczu pojawi się wskazanie „LO” i poza alarmem pojawi się również lampka sygnalizacyjna awarii

➤ **Funkcja przywracania temperatury**

W przypadku przerwy w zasilaniu chłodziarka do wina może zapamiętać poprzednie ustawienia temperatury, a gdy zasilanie zostanie przywrócone, temperatura urządzenia powróci do tej, jaka była ustawiona przed wyłączeniem zasilania.

➤ **UWAGA:**

- Jeśli urządzenie zostanie odłączone od zasilania, nastąpi przerwa w dostawie zasilania lub zostanie ono wyłączone, przed ponownym uruchomieniem urządzenia należy odczekać od 3 do 5 minut. W przypadku próby ponownego uruchomienia przed przewidzianym czasem opóźnieniem chłodziarka do wina/chłodziarka do napojów nie zostanie uruchomiona.
- Przy pierwszym użyciu chłodziarki do wina/chłodziarki do napojów lub ponownym uruchomieniu chłodziarki do wina/chłodziarki do napojów po długim czasie odłączenia jej może wystąpić kilka stopni rozbieżności między wybraną temperaturą a temperaturą wskazaną na wyświetlaczu LED. Jest to normalne i wynika to z długości czasu aktywacji. Gdy chłodziarka do wina/chłodziarka do napojów będzie działać przez kilka godzin, wszystko wróci do normy.

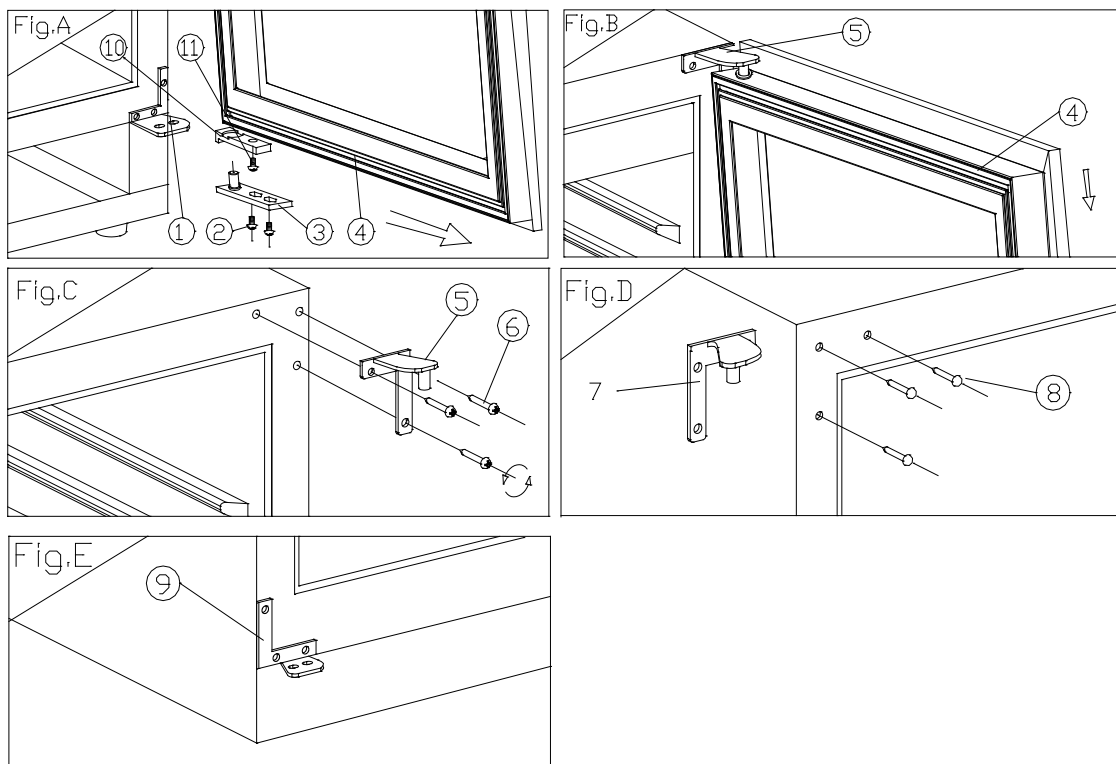
➤ Jak zmienić sposób otwierania się drzwiczek

Urządzenie posiada odwracalne drzwiczki, ale jest dostarczane z drzwiczkami zamontowanymi na prawych zawiasach. Zestaw lewych zawiasów jest dostarczany wraz z urządzeniem (w opakowaniu), gdyby użytkownik zamierzał zmienić sposób otwierania się drzwiczek.

Typ A (do drzwi w całości przeszklonych / ze stali nierdzewnej)

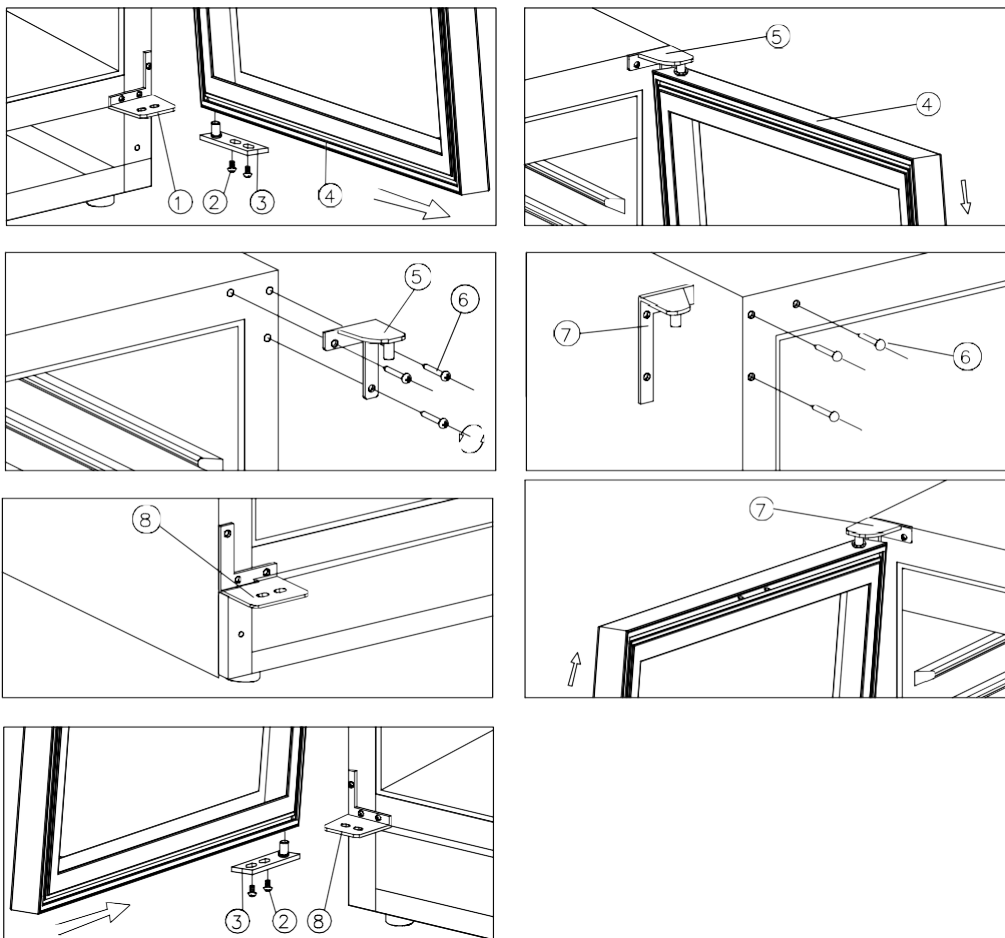
- | | | |
|--------------------------------|--------------------------------|-------------------------------|
| 1. Zawias dolny (strona prawa) | 2. Śruby | 3. Oś drzwiczek |
| 4. Drzwiczki | 5. Zawias górny (strona prawa) | 6. Śruby zawiasu |
| 7. Zawias górny (strona lewa) | 8. Zaślepka otworu | 9. Zawias dolny (strona lewa) |
| 10. Ogranicznik drzwiczek | 11. Śruba | |

1. Otworzyć drzwiczki pod kątem 90 stopni, wyjąć 2 śruby (2) z dolnej osi drzwiczek (3), wyjąć drzwiczki (4), wyjąć płytkę osi (3) z drzwiczek (Rys. A).
2. Odkręcić śrubę (11) znajdującą się pod ramą drzwiczek i ogranicznik (10), i umieścić go po lewej stronie ramy drzwiczek. (Rys. A/B)
3. Odkręcić 3 śruby zawiasu (6) górnego (prawego) (5) i wyjąć go. (Rys. C)
4. Wyjąć kołek ozdobny (8) z lewej górnej części obudowy i zamontować zapasowy zawias górny (lewy) (7) w lewej górnej części obudowy, za pomocą 3 śrub. (Rys. D)
5. Postępując zgodnie z powyższą procedurą, zamontować zapasowy dolny zawias po lewej stronie (9). (Rys. E)
6. Zamontować i wyrównać drzwiczki.
7. Włożyć plastikowe zaślepki, aby zakryć otwory (8).



Typ B (do wąskich drzwi ze stali nierdzewnej)

- | | | |
|------------------------|------------------------|----------------|
| 1 Zawias dolny (prawy) | 2 Śruby | 3 Oś drzwiczek |
| 4 Drzwiczki | 5 Zawias górny (prawy) | 6 Śruby |
| 7 Zawias górny (lewy) | 8 Zawias dolny (lewy) | |

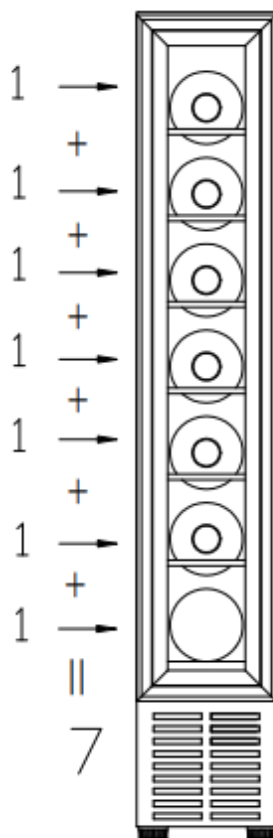


1. Wykręcić 2 śruby (2), a następnie pociągnąć drzwiczki (4) zgodnie z kierunkiem grota strzałki i dolny zawias (prawy) (1) również do montażu. (Rys. A i Rys. B)
2. Wykręcić 3 śruby (6) prawego górnego zawiasu, a następnie wyjąć prawy górny (5) i prawy dolny zawias (1). (Patrz Rys. C)
3. Użyć śrub wyjętych z prawych zawiasów bocznych, aby zamocować zawiasy lewe górne i dolne (7) (8). (Patrz Rys. D i Rys. E)
4. Obrócić drzwiczki o 180 stopni, a następnie zamontować drzwiczki w kolejności odwrotnej do czynności wykonywanych podczas wymontowywania.

➤ **Schemat przechowywania**

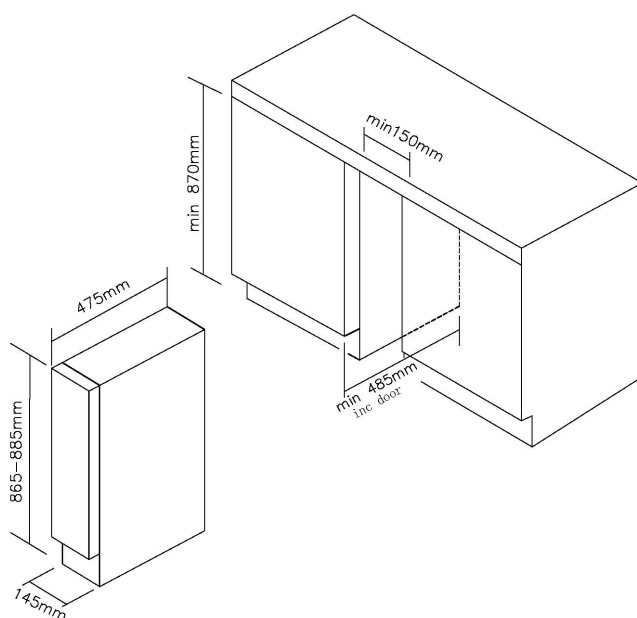
Zgodnie z rzeczywistą konfiguracją posiadanego produktu należy zapoznać się z właściwym schematem przechowywania.

W przypadku wysokości 865mm
Ogółem: 7 butelek (maksymalnie)



Najbardziej energooszczędna konfiguracja wymaga umieszczenia półek w produkcie, patrz powyższe rysunki.

➤ **Parametry instalacji w zabudowie**



CZYSZCZENIE I KONSERWACJA

➤ Czyszczenie chłodziarki do wina

- Wyłączyć zasilanie, odłączyć urządzenie i wyjąć wszystkie elementy, w tym półki i stojak.
- Wyczyścić powierzchnie wewnętrzne ciepłą wodą i roztworem sody oczyszczonej. W litrze wody wymieszać 2 stołowe łyżki sody oczyszczonej.
- Umyć półki łagodnym roztworem detergentu.
- Usunąć nadmiar wody z gąbki lub ściereczki podczas czyszczenia obszaru elementów sterowania lub jakichkolwiek części elektrycznych.
- Umyć zewnętrzną obudowę ciepłą wodą i łagodnym płynnym detergentem. Dobrze spłukać i wytrzeć do sucha czystą miękką szmatką.

➤ Awaria zasilania

- Większość awarii zasilania jest korygowana w ciągu kilku godzin i nie powinna wpływać na temperaturę urządzenia, jeśli liczba otwarcia drzwiczek zostanie ograniczona do minimum. Jeśli zasilanie zostanie wyłączone na dłuższy czas, należy podjąć odpowiednie kroki w celu zabezpieczenia zawartości urządzenia.

➤ Czas wakacji

- **Krótką nieobecność:** Podczas nieobecności trwającej krócej niż trzy tygodnie należy pozostawić chłodziarkę do wina działającą.
- **Długą nieobecność:** Jeśli urządzenie nie będzie używane przez kilka miesięcy, należy wyjąć wszystkie elementy i wyłączyć urządzenie. Wyczyścić i wysuszyć porządnie wnętrze. Aby zapobiec powstawaniu nieprzyjemnych zapachów i rozwojowi pleśni, należy pozostawić drzwiczki lekko otwarte: w razie potrzeby zablokować je.

➤ Przemieszczenie chłodziarki do wina

- Wyjąć wszystkie elementy.
- Zabezpieczyć wszystkie luźne przedmioty (półki) wewnątrz urządzenia.
- Obróć regulowaną nogę w górę, do podstawy, aby uniknąć uszkodzenia.
- Zakleić drzwiczki taśmą.
- Upewnić się, że urządzenie pozostaje bezpiecznie w pozycji pionowej podczas transportu. Zabezpieczyć urządzenie również na zewnątrz, kocem lub podobnym elementem.

➤ Wskazówki dotyczące oszczędzania energii

- Chłodziarka do wina powinna znajdować się w najchłodniejszej części pomieszczenia, z dala od urządzeń wytwarzających ciepło i z dala od bezpośredniego światła słonecznego.

PROBLEMY Z CHŁODZIARKĄ DO WINA/CHŁODZIARKĄ DO NAPOJÓW?

Można łatwo rozwiązać wiele typowych problemów z chłodziarką do wina/chłodziarką do napojów, oszczędzając koszty ponoszone za ewentualne wezwanie serwisu. Spróbować wykonać poniższe czynności, aby sprawdzić, czy można rozwiązać problem przed wezwaniem serwisanta.

ROZWIĄZYWANIE PROBLEMÓW

PROBLEM	MOŻLIWA PRZYCZYNA
Chłodziarka do wina/chłodziarka do napojów nie działa.	Niewłożona wtyczka do gniazdka. Urządzenie jest wyłączone. Zadziałał wyłącznik główny lub przepalił się bezpiecznik.
Chłodziarka do wina/chłodziarka do napojów nie jest wystarczająco zimna.	Sprawdzić ustawienie temperatury. Otoczenie zewnętrzne może wymagać ustawienia innej temperatury. Drzwiczki są otwierane zbyt często. Drzwiczki nie są całkowicie zamknięte. Uszczelka drzwiczek nie uszczelnia prawidłowo.
Często się włącza i wyłącza.	Temperatura w pomieszczeniu jest wyższa niż zwykle. Dodano do chłodziarki do wina/chłodziarki do napojów dużo napojów. Drzwiczki są otwierane zbyt często. Drzwiczki nie są całkowicie zamknięte. Kontrola temperatury nie jest ustawiona prawidłowo. Uszczelka drzwiczek nie uszczelnia prawidłowo.
Oświetlenie nie działa.	Niewłożona wtyczka do gniazdka. Zadziałał wyłącznik główny lub przepalił się bezpiecznik. Żarówka spaliła się. Przycisk oświetlenia jest wyłączony.
Wibracje.	Sprawdzić, czy chłodziarka do wina/chłodziarka do napojów jest wypoziomowana.
Chłodziarka do wina/chłodziarka do napojów wydaje się działać zbyt głośno.	Grzechotanie może być spowodowane przepływem czynnika chłodniczego, co jest normalne. Po zakończeniu każdego cyklu można usłyszeć odgłosy bulgotania spowodowane przepływem czynnika chłodniczego w chłodziarce do wina/chłodziarce do napojów. Kurczenie i rozprężanie się ścianek wewnętrznych może być źródłem odgłosu trzaskania. Chłodziarka do wina/chłodziarka do napojów nie jest wypoziomowana.
Drzwiczki nie zamykają się prawidłowo.	Chłodziarka do wina/chłodziarka do napojów nie jest wypoziomowana. Drzwiczki zostały odwrócone i nieprawidłowo zamontowane. Uszczelka jest brudna. Półki nie znajdują się na swoim miejscu.

Aby skontaktować się z pomocą techniczną, odwiedź naszą stronę internetową: <https://corporate.haier-europe.com/en/>. W sekcji „website” wybierz markę swojego produktu i swój kraj. Zostaniesz przekierowany na konkretną stronę internetową, na której znajdziesz numer telefonu i formularz do kontaktu z pomocą techniczną

➤ **Dostępność części zamiennych**

Termostaty, czujniki temperatury, płytki obwodów drukowanych przez okres co najmniej siedmiu lat od wprowadzenia do obrotu ostatniego egzemplarza danego modelu
klamki, zawiasy do drzwi, tace i koszyki przez okres co najmniej siedmiu lat oraz uszczelki drzwiowe przez okres co najmniej 10 lat od wprowadzenia do obrotu ostatniego egzemplarza danego modelu

Zalecane USTAWIENIA temperatury

Do przechowywania WSZYSTKICH RODZAJÓW WIN 12 °C to 14 °C

Zalecana temperatura PICIA

Szampan NV, musujący	6 °C
Szampan Vintage	10 °C
Wytrawne białe wino Semilion, Sauvignon Blanc	8 °C
Wytrawne białe wino Gewürztraminer, Riesling	10 °C
Wytrawne białe wino Chardonnay	10 °C
Chardonnay Vintage	14 °C
Słodkie białe wino Sauternes Monbazillac, wino lodowe z późnych zbiorów	10 °C
Słodkie, białe wino Sauternes Vintage	14 °C
Beaujolais	13 °C
Czerwone wino Pinot Noir	16 °C
Czerwone wino Pinot Noir Vintage	18 °C
Czerwone wino Cabernet, Merlot, francuskie, australijskie, nowozelandzkie, chilijskie, argentyńskie, włoskie, hiszpańskie, kalifornijskie	18 °C
Czerwone wino Grenache Syrah	16 °C

Więcej informacji na temat produktu można znaleźć na stronie <https://eprel.ec.europa.eu/> lub zeskanować QR na etykiecie energetycznej dostarczonej z urządzeniem

Português

Obrigado por comprar este produto.

Antes de usar o seu frigorífico, leia atentamente este manual de instruções para maximizar o seu desempenho. Guarde toda a documentação para uso futuro ou outros proprietários. Este produto destina-se exclusivamente a uso doméstico ou para aplicações similares, tais como:

- Área de cozinha para pessoal em lojas, escritórios e outros ambientes de trabalho
- Em quintas, para clientes de hotéis, motéis e outros ambientes do tipo residencial
- como B&Bs (cama e pequeno-almoço)
- Para serviços de catering e aplicações similares, e não para venda por retalho.

Este eletrodoméstico deve ser usado apenas para fins de armazenamento de alimentos, sendo qualquer outro uso considerado perigoso. O fabricante não será responsável por incumprimentos. Além disso, é recomendável que consulte as condições de garantia.

INFORMAÇÃO DE SEGURANÇA

Leia atentamente as instruções de operação e instalação! Estas contêm informações importantes sobre como instalar, usar e fazer a manutenção do eletrodoméstico. O fabricante não é responsável se não cumprir as instruções e avisos. Guarde todos os documentos para uso subsequente ou para o próximo proprietário.

- **Não ligue o aparelho à alimentação de energia até que todas as proteções de embalagem e de transporte tenham sido removidas. Mantenha as crianças afastadas da embalagem e das suas peças. Perigo de sufocação devido a caixas de cartão dobráveis e a película plástica!**
- **Deixe repousar , no mínimo, 4 horas antes de ligar para permitir que o óleo do compressor assente se transportado horizontalmente**
- **Na entrega, verifique se o produto não está danificado e se todas as peças e acessórios estão em perfeitas condições**
- **Não danificar o circuito do refrigerante**
- **Mantenha as aberturas de ventilação na caixa do eletrodoméstico ou na estrutura embutida, livre de obstruções**
- **Nunca use água na posição do compressor, limpe-o cuidadosamente com um pano seco depois da limpeza para evitar ferrugem**
- **Manuseie o aparelho sempre com pelo menos duas pessoas porque é pesado.**
- **Instale e nivele o aparelho numa área adequada para o seu tamanho e utilização.**
- **Certifique-se de que as informações elétricas na placa de classificação correspondem à fonte de alimentação. Se não, entre em contato com um electricista.**
- **O aparelho é operado por uma fonte de alimentação de 220-240 VAC/50 Hz. Uma flutuação da tensão anormal pode fazer com que o aparelho não ligue ou danifique o controlo da temperatura ou o compressor, ou pode haver um ruído anormal durante o funcionamento. Nesse caso, deve ser montado um regulador automático.**
- **Apenas para o Reino Unido: O cabo de alimentação do aparelho está equipado com uma ficha de 3 cabos (terra) que se encaixa numa**

tomada standard de 3 cabos (ligada à terra). Nunca corte ou desmonte o terceiro pino (terra). Após a instalação do aparelho, a tomada deve ficar acessível.

- **Certifique-se de que o cabo de alimentação não fica preso debaixo do aparelho durante e depois de transportar/mover o aparelho, para evitar que o cabo seja cortado ou danificado. Se o cabo de alimentação estiver danificado, deve ser substituído pelo fabricante, pelo seu agente de serviço ou por pessoa qualificada, para evitar perigo**
- **Não instale o eletrodoméstico em locais húmidos, oleosos ou empoeirados, nem o exponha à luz solar direta e à água**
- **Não instale o eletrodoméstico próximo de aquecedores ou de materiais inflamáveis**
- **Não armazene produtos que contenham propulsor inflamável (por ex. latas de sprays) ou substâncias explosivas no aparelho. Risco de explosão!**
- **Não armazene produtos que contenham propulsor inflamável (por ex. latas de sprays) ou substâncias explosivas no aparelho. Risco de explosão!**
- **Não armazene produtos que contenham propulsor inflamável (por ex. latas de sprays) ou substâncias explosivas no aparelho. Risco de explosão!**
- **Não puxe ou dobre excessivamente o cabo de alimentação ou toque a ficha com as mãos molhadas**
- **Não armazene produtos que contenham propulsor inflamável (por ex. latas de sprays) ou substâncias explosivas no aparelho. Risco de explosão!**
- **Não coloque artigos instáveis (objetos pesados, recipientes cheios de água) em cima do frigorífico, para evitar lesões pessoais causadas por queda ou choque elétrico causado pelo contato com a água.**
- **Não usar aparelhos elétricos dentro dos compartimentos de armazenamento de alimentos do aparelho, exceto se forem do tipo recomendado pelo fabricante**
- **Não toque nos elementos de refrigeração internos, especialmente com as mãos molhadas, para evitar rachas ou ferimentos**
- **Correm maior risco as crianças, pessoas com capacidades físicas, mentais ou sensoriais limitadas, bem como pessoas que têm conhecimento inadequado sobre a operação segura do aparelho. Verifique se as crianças e as pessoas vulneráveis compreenderam os riscos. Uma pessoa responsável pela segurança deve fiscalizar ou instruir as crianças e pessoas vulneráveis que estão a utilizar o**

aparelho. Apenas crianças com idade igual ou superior a 8 anos podem utilizar o aparelho.

- **As crianças não devem brincar com o eletrodoméstico**
- **Crianças com idades entre os 3 e os 8 anos não podem carregar e descarregar o aparelho**
- **PARA aparelhos com um congelador: não armazene líquidos engarrafados ou enlatados (especialmente bebidas gaseificadas) no congelador. As garrafas e latas podem explodir!**
- **PARA aparelhos com um congelador: nunca coloque alimentos congelados, diretamente do compartimento do congelador, na boca. Risco de queimaduras de baixa temperatura!**
- **Mantenha as peças plásticas e o vedante da porta isentos de óleo e gordura. Caso contrário, as peças plásticas e o vedante da porta tornar-se-ão porosas.**
- **Antes de realizar qualquer operação, desligue o cabo de alimentação da tomada elétrica**
- **Não usar dispositivos mecânicos ou outros meios para acelerar o processo de descongelação, além dos recomendados pelo fabricante**
- **Não use objetos pontiagudos ou com arestas afiadas, como facas ou garfos, para remover o gelo. Nunca use secadores de cabelo, aquecedores elétricos ou outros aparelhos elétricos para descongelar**
- **Recomenda-se manter a ficha limpa, pois quaisquer resíduos de poeira excessivos na tomada pode provocar fogo**
- **Não tente reparar, desmontar ou modificar o aparelho sozinho. Em caso de reparação, entre sempre em contato com a nossa assistência ao cliente.**
- **Supervisione as crianças enquanto o aparelho estiver a ser limpo ou mantido.**
- **Não lave prateleiras de vidro frias com água quente. A mudança súbita de temperatura pode fazer com que o vidro se quebre.**
- **AVISO: Os tubos do circuito de refrigeração transmitem uma pequena quantidade de um refrigerante ecológico mas inflamável (R600a) e gás isolante (ciclopentano). Não danifica a camada de ozono e não aumenta o efeito estufa. Se ocorrer derrame de refrigerante, pode ferir os olhos ou inflamar.**
- **Caso o circuito refrigerante esteja danificado:**
 - **Desligue o aparelho e retire a ficha elétrica,**
 - **Mantenha as chamas nuas e/ou as fontes de ignição afastadas do aparelho**
 - **Ventile muito bem a sala durante vários minutos**
 - **Informe a assistência ao cliente.**

- **AVISO: Não danifique a ficha e/ou o cabo de alimentação; isso pode causar choques elétricos ou incêndios.**
- **AVISO: Não use tomadas múltiplas portáteis ou fontes de alimentação portáteis. Não recomendamos a utilização de extensões e adaptadores.**
- **Não se sente nem se ponha de pé em cima do aparelho. Pode magoar-se ou danificar o aparelho. Este aparelho não foi concebido para ser empilhado com qualquer outro aparelho.**
- **O produto foi desenhado e construído apenas para uso doméstico**
- **Só podem ser utilizadas peças originais fornecidas pelo fabricante. O fabricante garante que apenas estas peças satisfazem os requisitos de segurança.**
- **Abrir a porta durante longos períodos pode causar um aumento significativo da temperatura nos compartimentos do aparelho**
- **Limpar regularmente as superfícies que possam entrar em contacto com alimentos e sistemas de drenagem acessíveis**
- **Tanques de água limpa, se não forem utilizados durante 48h; lave o sistema de água ligado ao fornecimento de água se a água não for extraída durante 5 dias**
- **Guardar carne e peixe crus em recipientes adequados no congelador, que não fiquem em contacto ou pinguem sobre outros alimentos**
- **Os compartimentos de alimentos congelados de duas estrelas (se apresentados no aparelho) são adequados para armazenar alimentos pré-congelados, armazenar ou fazer gelados e cubos de gelo**
- **Os compartimentos de uma, duas e três estrelas (se apresentados no aparelho) não são adequados para congelar alimentos frescos**
- **Se o aparelho ficar vazio durante longos períodos, deve desligar, descongelar, limpar, secar o mesmo e deixar a porta aberta para evitar o desenvolvimento do bolor no interior**
- **No caso dos aparelhos de armazenagem de vinhos: Este aparelho destina-se exclusivamente à armazenagem de vinhos**
- **No caso dos aparelhos de instalação livre: Este aparelho de refrigeração não se destina a ser utilizado como aparelho encastrável**
- **No caso dos aparelhos sem compartimento de quatro estrelas: Este aparelho de refrigeração não é adequado para congelar géneros alimentícios**

Desmantelamento de um aparelhos antigos



Este equipamento está marcado em conformidade com a Diretiva Europeia 2012/19/UE sobre Resíduos Elétricos e Equipamento Eletrónico (REEE).


O REEE contém substâncias poluentes (que podem ser perigosas para o meio ambiente) e componentes básicos (que podem ser reutilizados). É importante que os REEE sejam submetidos a tratamentos específicos, para remover e eliminar adequadamente todos os poluentes e recuperar e reciclar todos os materiais.

As pessoas desempenham um papel importante para garantir que os REEE não representam um problema ambiental; para isso, é essencial que sejam cumpridas algumas regras básicas:

- Os REEE não devem ser tratados como lixo doméstico;
- Os REEE devem ser entregues nos pontos de recolha adequados administrados pelo município ou por empresas registadas. Em muitos países, para grandes REEE, pode estar disponível recolha doméstica.

Em muitos países, quando é comprado um aparelho novo, o antigo pode ser devolvido ao retalhista, que deve proceder à recolha gratuitamente, desde que o equipamento seja de tipo equivalente e tenha as mesmas funções do equipamento fornecido.

Conformidade

Ao colocar a marca  neste produto, confirmamos a sua conformidade com todos os requisitos Europeus de segurança, saúde e ambientais que são mencionados na legislação aplicável para este produto.

Garantia

A garantia mínima é: 2 anos para os países da UE, 3 anos para a Turquia, 1 ano para o Reino Unido, 1 ano para a Rússia, 3 anos para a Suécia, 2 anos para a Sérvia, 5 anos para a Noruega, 1 ano para Marrocos, 6 meses para a Argélia, Tunísia nenhuma garantia legal necessária.

Poupança de energia

Para maiores poupanças energéticas sugerimos:

- Instalar o eletrodoméstico afastado de fontes de calor e não exposto à luz solar direta e numa sala bem ventilada.
- Evitar colocar alimentos quentes no frigorífico para evitar o aumento da temperatura interna e, assim, causar o funcionamento contínuo do compressor.
- Não envolver excessivamente os alimentos de modo a garantir uma circulação adequada do ar.
- Descongelar o eletrodoméstico em caso de haver gelo para facilitar a transferência de frio.
- No caso de falha de energia elétrica, é aconselhável manter a porta do frigorífico fechada.
- Abrir ou manter as portas do eletrodoméstico abertas o mínimo possível
- Evitar ajustar as definições para temperaturas muito frias.
- Limpar o pó presente na parte traseira do aparelho

INSTRUÇÕES PARA A INSTALAÇÃO

➤ **Antes de usar o refrigerador de vinho**

- Remova a embalagem exterior e interior.
- Antes de ligar o refrigerador de vinho à fonte de alimentação, deixe-o em pé durante aproximadamente 2 horas. Isto reduzirá a possibilidade de mau funcionamento no sistema de refrigeração devido ao manuseamento durante o transporte.
- Limpe a superfície interior com água morna usando um pano macio.
- Este aparelho destina-se a ser utilizado em aplicações domésticas e similares, tais como:
 - áreas de cozinhas para pessoal em lojas, escritórios e outros ambientes de trabalho;
 - quintas e por clientes em hotéis, motéis e outros tipos de ambientes residenciais;
 - alojamentos do tipo "bed and breakfast";
 - catering e aplicações não comerciais similares.
- Ao eliminar o seu aparelho, escolha um local de eliminação autorizado.

➤ **Instalação do seu refrigerador de vinho**

- Este aparelho foi desenhado para ser instalado de forma independente ou encastrado (totalmente encastrado). (Consulte a etiqueta na parte de trás deste aparelho).
- **Este aparelho destina-se exclusivamente para armazenamento de vinho ou bebidas.**
- Coloque o seu refrigerador de vinho sobre um piso suficientemente forte para suportar o seu peso quando estiver totalmente carregado. Para nivelar o seu refrigerador de vinho, ajuste as perna de nivelamento frontais na parte inferior do refrigerador de vinho.
- Este aparelho usa refrigerante inflamável. Por este motivo, não danifique a tubagem de refrigeração durante o seu transporte. Coloque o refrigerador de vinho afastado da luz solar direta e de fontes de calor (fogão, aquecedor, radiador, etc.). A luz solar direta pode afetar o revestimento acrílico e as fontes de calor podem aumentar o consumo elétrico. Temperaturas ambiente extremamente frias também podem comprometer o adequado funcionamento da unidade.
- Evite colocar a unidade em áreas húmidas.
- Ligue o refrigerador de vinho a uma tomada mural exclusiva e devidamente instalada. Não corte ou remova, em circunstância alguma, o terceiro pino de terra do cabo de alimentação. Para qualquer dúvida sobre energia e/ou ligação à terra deve contactar um electricista certificado ou um centro de serviços autorizado.

➤ **Atenção**

- Armazene vinho em garrafas seladas;
- Não sobrecarregue o armário;
- Não abra a porta, exceto quando necessário;
- Não cubra as prateleiras com folha de alumínio ou qualquer outro material de prateleira que possa impedir a circulação do ar;
- Caso o refrigerador de vinho seja armazenado sem ser utilizado durante longos períodos, recomenda-se, após uma limpeza cuidadosa, deixar a porta entreaberta para permitir que o ar circule dentro do armário, para evitar possíveis formações de condensação, mofo ou odores.

➤ **Limites de temperatura ambiente**

Este aparelho foi desenhado para funcionar em temperaturas ambiente especificadas para a sua classe de temperatura assinalada na chapa de características.





- Temperada alargada (SN): «Este aparelho de refrigeração destina-se a ser utilizado a temperaturas ambientes compreendidas entre 10 °C e 32 °C»
- Temperada (N): «Este aparelho de refrigeração destina-se a ser utilizado a temperaturas ambientes compreendidas entre 16 °C e 32 °C»

- Subtropical (ST): «Este aparelho de refrigeração destina-se a ser utilizado a temperaturas ambientes compreendidas entre 16 °C e 38 °C»
- Tropical (T): «Este aparelho de refrigeração destina-se a ser utilizado a temperaturas ambientes compreendidas entre 16 °C e 43 °C»





UTILIZAR O SEU REFRIGERADOR DE VINHO E DEFINIR O CONTROLO DE TEMPERATURA

➤ Instruções do sistema de controlo



- **Tecla “”**
Para ligar/desligar. (mantenha premidos estes botões durante cerca de 3 segundos);
- **Tecla “”**
Para aumentar (mais quente) a temperatura em incrementos de 1 °C.
- **Tecla “”**
Para baixar (mais frio) a temperatura em incrementos de 1 °C.
- **Tecla “”**
Para controlar a luz interior ligada/desligada.
- **Luz indicadora**
Compressor no visor de operação.
- **Janela do visor LED**
Para mostrar a temperatura definida.

➤ Configuração dos Controlos de Temperatura

- Para definir a temperatura, ligue o cabo de alimentação a uma tomada devidamente ligada à terra. No caso de interrupção de energia, a configuração da temperatura anterior é automaticamente eliminada e é assumida uma configuração de temperatura predefinida de 12 °C
- Defina a temperatura de refrigeração pretendida pressionando as teclas ao lado dos indicadores "" ou "". Cada pressão das teclas percorre as configurações de temperatura disponíveis em incrementos de 1°C.
- A configuração de temperatura pode ser ajustada de 5°C a 18°C.
- Para ver todas as temperaturas reais interiores, mantenha premida a tecla "" ou a tecla "" durante 3 segundos, o LED pisca e exhibe a temperatura real. Ao parar de pressionar a tecla durante 5 segundos, o valor do LED deixa de piscar e volta para exhibir a temperatura definida.
LED intermitente = temperatura do armário

LED constante = Definir temperatura

➤ **Luz interior**

Para reduzir o consumo de energia, este armário desliga automaticamente as luzes LED após 10 minutos.

No entanto, é possível manter a luz LED acesa continuamente. Mantenha pressionada a tecla "LIGHT" durante 5 segundos até o visor mostrar "LP". Após 4 segundos, o visor volta ao normal e a luz permanece acesa até ser desligada manualmente.

Se quiser reverter e poupar energia (recomendado), mantenha pressionada a tecla "LIGHT" durante 5 segundos, até o visor mostrar "LF". Após 4 segundos, o visor volta ao normal, sendo a luz automaticamente desligada após 10 minutos.

➤ **Alarme da temperatura**

Se a temperatura interior for superior a 23 °C, será exibido "HI" no visor do painel, e após uma hora acionado um alarme / campainha com som. Isso indica que a temperatura no interior é muito alta. Se a temperatura no interior for inferior a 0 °C, será exibido "LO" no visor do painel e ao mesmo tempo também o alarme de indicação de avaria é ativado.

➤ **Função de recuperação de temperatura**

No caso de uma interrupção de energia, o refrigerador de vinho pode recordar as configurações de temperatura anteriores e, quando a energia volta, a temperatura do refrigerador volta para a configuração anterior à interrupção de energia.

➤ **NOTA:**

- Se a unidade estiver desligada, sem energia ou desligada, deve aguardar de 3 a 5 minutos antes de reiniciar a unidade. Se tentar reiniciar antes deste atraso de tempo, o refrigerador de vinho / refrigerador de bebidas não arranca.
- Quando usa o refrigerador de vinho/refrigerador de bebidas pela primeira vez ou reinicia o refrigerador de vinho/refrigerador de bebidas depois de ter estado desligado durante um longo período de tempo, pode haver uma variação de alguns graus entre a temperatura selecionada e a indicada na leitura do LED. Esta diferença é normal, e deve-se período do tempo de ativação. Depois do refrigerador de vinho/refrigerador de bebidas estar a funcionar há algumas horas, voltará ao normal.

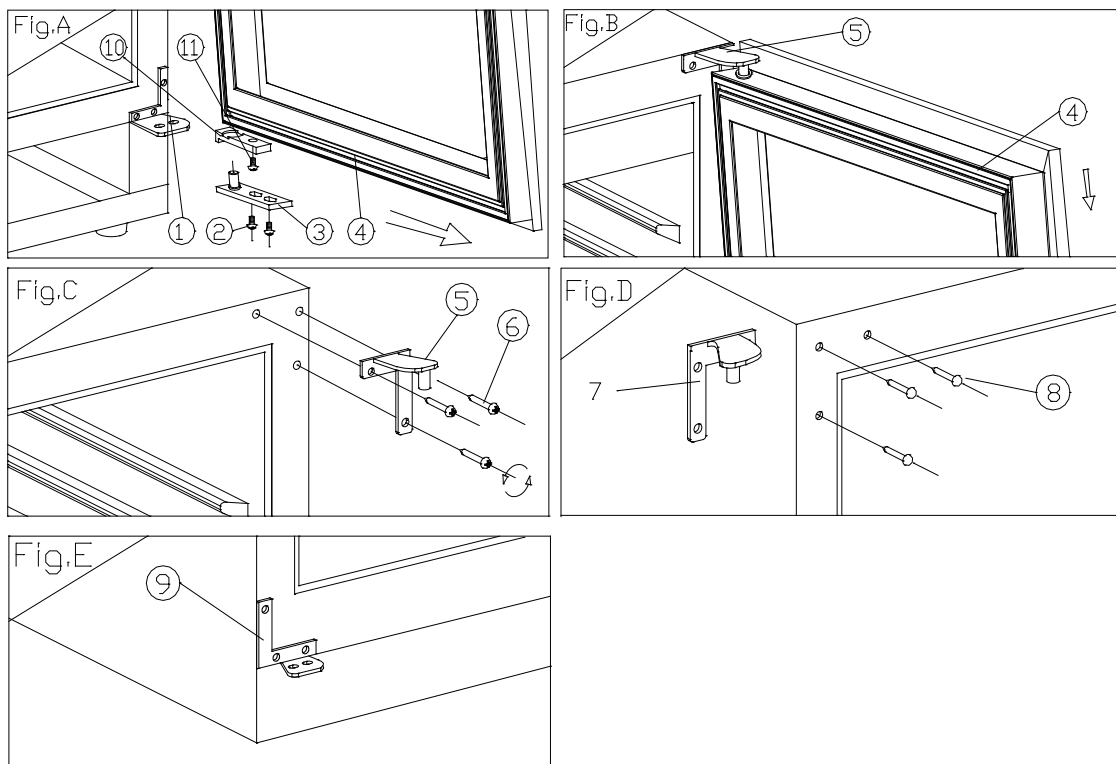
➤ Como mudar a abertura da porta

Este aparelho tem portas reversíveis, mas é entregue com uma porta articulada à direita. O kit de dobradiça à esquerda vem com a unidade (na caixa), caso pretenda inverter a dobradiça da sua unidade.

Tipo A (para porta totalmente em vidro / aço inoxidável)

- | | | |
|------------------------------------|---------------------------------|----------------------------------|
| 1. Dobradiça inferior (direita) | 2. Parafusos | 3. Eixo da porta |
| 4. Porta | 5. Dobradiça superior (direita) | 6. Parafusos de dobradiça |
| 7. Dobradiça superior (esquerda) | 8. Tampa do furo | 9. Dobradiça inferior (esquerda) |
| 10. Dispositivo de limite da porta | 11. Aparafusar | |

1. Abra a porta com um ângulo de 90 graus, retire os 2 parafusos (2) do eixo inferior da porta (3), retire a porta (4), retire a placa do eixo (3) da porta (Fig. A).
2. Desaparafuse o parafuso (11) situado por baixo do batente da porta e do dispositivo de limite (10) e volte a colocar no lado esquerdo da estrutura da porta. (Fig. A/B)
3. Retire os 3 parafusos de dobradiça (6) da dobradiça superior (direita) (5) e remova. (Fig. C)
4. Retire o pino decorativo (8) da parte superior esquerda do armário e instale a dobradiça sobressalente (esquerda) (7) na parte superior esquerda do armário com 3 parafusos. (Fig. D)
5. Seguindo o procedimento acima, instale a dobradiça sobressalente inferior à esquerda (9). (Fig. E)
6. Instale e alinhe a porta.
7. Insira as tampas de plástico para cobrir os orifícios (8).



Tipo B (para porta fina de aço inoxidável)

1 Dobradiça inferior
(direita)

4 Porta

7 Dobradiça superior
(esquerda)

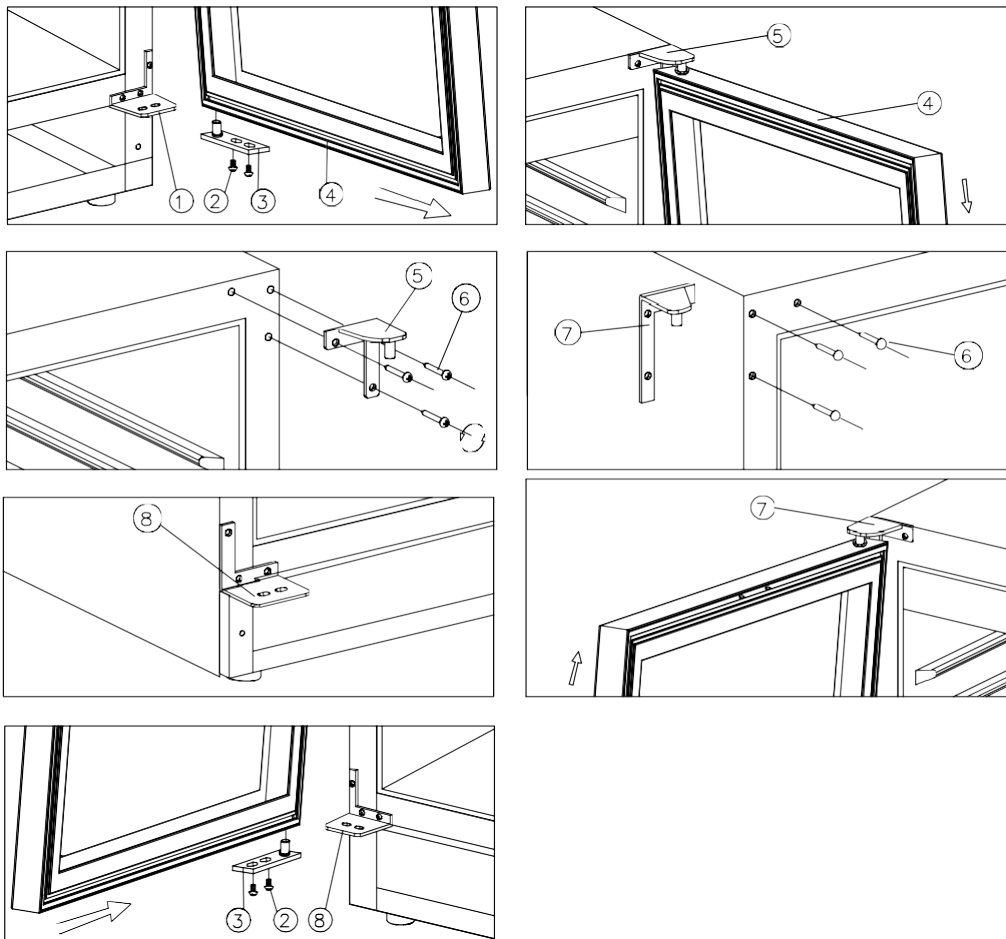
2 Parafusos

5 Dobradiça superior
(direita)

8 Dobradiça inferior
(esquerda)

3 Eixo da porta

6 Parafusos

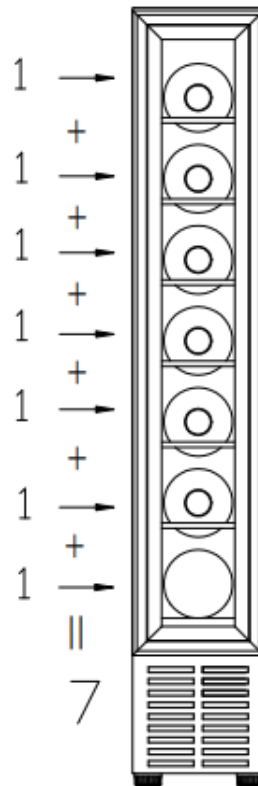


1. Retire 2 parafusos (2) e, de seguida, puxe a porta (4) de acordo com a direção da seta e dobradiça inferior (direita) (1), assim como o conjunto. (Fig.A e Fig.B)
2. Retire 3 parafusos (6) da dobradiça superior direita e, de seguida, retire a dobradiça superior direita (5) e a dobradiça inferior direita (1). (Ver fig.C)
3. Use os parafusos que removeu das dobradiças do lado direito para fixar as dobradiças superior e inferior esquerda (7)(8). (Consulte Fig.D e Fig.E)
4. Rode a porta a 180 graus e, de seguida, monte a porta de acordo na forma inversa da remoção.

➤ **Esquema de armazenamento**

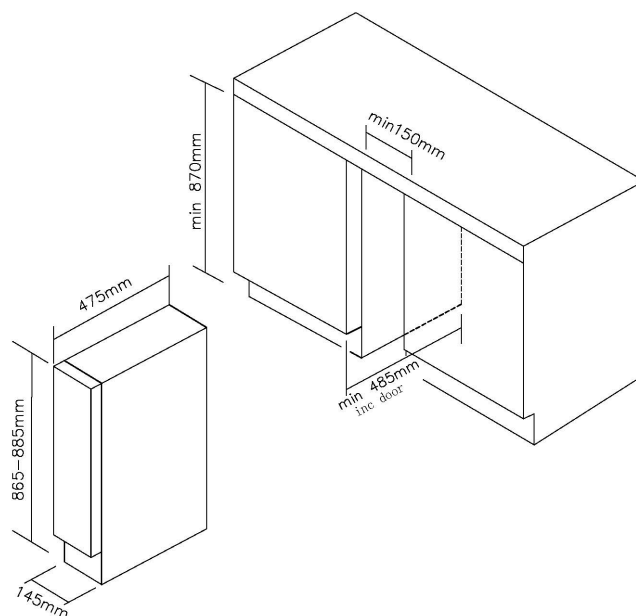
De acordo com a configuração real do seu produto, verifique o esquema de armazenamento respetivo.

Para altura 865mm
Total: 7 garrafas (Máx)



A configuração mais energeticamente eficiente requer e as prateleiras estejam dentro do frigorífico. Consulte as imagens acima.

➤ **Especificações de instalação para encastrar aparelho**



LIMPEZA E MANUTENÇÃO

➤ **LIMPEZA DO SEU REFRIGERADOR DE VINHO**

- Desligue a energia, desligue o aparelho e remova todos os itens, incluindo prateleiras e calhas.
- Lave as superfícies interiores com água morna e uma solução de bicarbonato de sódio. A solução deve ser preparada com 2 colheres de sopa de bicarbonato de sódio por quarto de água.
- Lave as prateleiras com uma solução detergente suave.
- Retire o excesso de água da esponja ou do pano ao limpar a área dos controlos ou quaisquer peças elétricas.
- Lave o armário exterior com água morna e detergente líquido neutro. Enxague bem e seque com um pano macio e limpo.

➤ **Falha de energia**

- A maioria das falhas de energia são corrigidas após algumas horas e não devem afetar a temperatura do seu aparelho se diminuir o número de vezes que a porta é aberta. Se a energia ficar desligada por um longo período de tempo, será preciso tomar medidas adequadas para proteger o seu conteúdo.

➤ **Período de férias**

- **Férias curtas:** Deixe o Refrigerador de Vinho a funcionar durante períodos de férias inferiores a três semanas.
- **Férias longas:** Se o aparelho não for utilizado durante vários meses, retire todos os itens e desligue o aparelho. Limpe e seque completamente o interior. Para evitar o odor e o crescimento do bolor, deixe a porta ligeiramente aberta: bloqueando-a, se necessário.

➤ **Movimentação do seu refrigerador de vinho**

- Remover todos os itens.
- Fixar bem todos os itens soltos (prateleiras) no interior do seu aparelho.
- Rode a perna ajustável até à base para evitar danos.
- Tape a porta.
- Certifique-se de que o aparelho permanece seguro na posição vertical durante o transporte. Proteja também o exterior do aparelho com um cobertor ou artigo semelhante.

➤ **Dicas para poupança de energia**

- O Refrigerador de Vinho deve estar localizado na área mais fria da divisão, longe de aparelhos produtores de calor e fora da luz solar direta.

PROBLEMAS COM O SEU REFRIGERADOR DE VINHO/REFRIGERADOR DE BEBIDAS?

Pode solucionar muitos problemas comuns do refrigerador de vinho/bebidas facilmente, poupando o custo de uma possível chamada de serviço. Tente as sugestões abaixo para ver se pode resolver o problema antes de chamar o técnico de assistência.

GUIA DE RESOLUÇÃO DE PROBLEMAS

PROBLEMA	POSSÍVEL CAUSA
O refrigerador de vinho/refrigerador de bebidas não funciona.	Não está ligado. O aparelho está desligado. O disjuntor disparou ou um fusível queimou.
O refrigerador de vinho/refrigerador de bebidas não está frio o suficiente.	Verifique a configuração de controlo de temperatura. O ambiente externo pode exigir uma configuração mais elevada. A porta é aberta demasiadas vezes. A porta não está completamente fechada. A guarnição da porta não veda corretamente.
Liga e desliga frequentemente.	A temperatura ambiente é mais quente que o normal. Foi adicionada uma grande quantidade de itens ao refrigerador de vinho/refrigerador de bebidas. A porta é aberta demasiadas vezes. A porta não está completamente fechada. O controlo de temperatura não está corretamente regulado. A guarnição da porta não veda corretamente.
As luzes não funcionam.	Não está ligado. O disjuntor disparou ou um fusível queimou. A lâmpada fundiu. O botão de luz está "OFF".
Vibrações.	Verifique se o refrigerador de vinho/refrigerador de bebidas está nivelado.
O refrigerador de vinho/refrigerador de bebidas parece fazer muito barulho.	O ruído de chocalho pode vir do fluxo do refrigerante, o que é normal. À medida que cada ciclo termina, pode ouvir sons de borbulhar causados pelo fluxo de refrigerante no seu refrigerador de vinho/refrigerador de bebidas. A contração e a expansão das paredes interiores da cave de vinhos podem provocar estalidos e ruídos similares. O refrigerador de vinho/refrigerador de bebidas não está nivelado.
A porta não fecha corretamente.	O refrigerador de vinho/refrigerador de bebidas não está nivelado. A porta estava invertida e mal instalada. A junta está suja. As prateleiras estão fora de posição.

Para entrar em contato com a assistência técnica, visite nosso site: <https://corporate.haier-europe.com/en/>. Na seção "website", escolha a marca do seu produto e o seu país. Você será redirecionado para o site específico onde poderá encontrar o número de telefone e formulário para entrar em contato com a assistência técnica

➤ **Disponibilidade de peças de reposição**

- Termóstatos, sensores de temperatura, placas de circuito impresso e fontes de luz, por um período mínimo de sete anos após a colocação no mercado da última unidade do modelo em causa;
- Pegas de porta, dobradiças de porta, tabuleiros e cestos por um período mínimo de sete anos e vedantes de porta por um período mínimo de dez anos, após a colocação no mercado da última unidade do modelo em causa

Definições de temperatura recomendadas

Para guardar todos os tipos de vinho 12 °C to 14 °C

Temperatura recomendada para bebidas

Champanhe NV, Espumante 6 °C

Champanhe Vintage 10 °C

Semillon branco seco, Sauvignon branco 8 °C

Gewürztraminer branco seco, Riesling 10 °C

Chardonnay branco seco 10 °C

Chardonnay Vintage 14 °C

Sauternes Monbazillac brancos doces, Ice Wines 10 °C

Sauternes Vintage brancos doces 14 °C

Beaujolais 13 °C

Pinot Noir tinto 16 °C

Pinot Noir Vintage tinto 18 °C

Cabernet tinto, Merlot, francês, australiano, neozelandês, chileno, argentino, italiano, espanhol, californiano 18 °C

Grenache tinto, Syrah 16 °C

Para mais informações sobre o produto, consulte <https://eprel.ec.europa.eu/> ou digitalize o QR na etiqueta de energia fornecida com o aparelho

Slovák

Ďakujeme vám, že ste si kúpili náš výrobok.

Pred používaním svojej chladničky si pozorne prečítajte návod na použitie, aby ste maximálne využili všetky jej vlastnosti. Všetky dokumenty si odložte pre ďalšie použitie alebo pre ďalších používateľov. Tento spotrebič je určený iba na použitie v domácnosti alebo na podobné využitie, napríklad:

- v kuchynkách pre pracovníkov v obchodoch, v kanceláriách alebo na iných pracoviskách
- v podnikoch, pre hosťov v hoteloch, motelloch a v iných prostrediach rezidenčného typu
- v ubytovniach a v prenajímaných izbách (B & B)
- pre kateringové služby a podobné použitie mimo maloobchodného predaja.

Tento spotrebič sa smie používať iba na skladovanie potravín, každé iné použitie sa považuje za nebezpečné a výrobca v prípade porušenia pokynov nepreberá žiadnu zodpovednosť. Okrem toho sa odporúča nezabúdať na podmienky záruky.

BEZPEČNOSTÉ PREDPISY

Pozorne si prečítajte návod na obsluhu a inštaláciu! Obsahujú dôležité informácie o tom, ako spotrebič inštalovať, používať a ako na ňom vykonávať údržbu. Výrobca nepreberá žiadnu zodpovednosť v prípade nedodržania pokynov a varovaní. Všetku dokumentáciu si odložte, aby ste ju mali k dispozícii na budúce použitie alebo pre ďalších vlastníkov.

- **Pred zapojením spotrebiča do elektrickej siete odstráň te vš etok obalový materiál a prepravné ochranné prvky. Deti udržujte mimo obalového materiálu a jeho častí. Nebezpečenstvo udusenía skladacími kartónmi a plastovou fóliou!**
- **Nechajte ho pred zapnutím postáť aspoň 4 hodiny, aby sa olej kompresoru ustálil, ak sa prepravoval v horizontálnej polohe**
- **Po dodaní skontrolujte, či výrobok nie je poš kodený a či sú vš etky časti a prísluš enstvo v dokonalom stave**
- **Nepoš kodzujte chladiaci okruh**
- **Vetracie otvory na kryte spotrebiča alebo na š truktúre zabudovania udržiaavajte nezakryté, bez prekážok**
- **Miesto kompresora nikdy neumývajte vodou, po vyčistení ho dôkladne utrite suchou handričkou, aby sa prediš lo hrdzaveniu**
- **Zariadenie musia prenáš ať minimálne dve osoby, pretože je ťažké.**
- **Zariadenie nainš talujte a vyrovnajte na mieste, ktoré je vhodné svojou veľkosťou a využitím.**
- **Uistite sa, že elektrické informácie na typovom š títku súhlasia s napájaním. Ak to tak nie je, kontaktujte elektrikára.**
- **Zariadenie je v prevádzke pri 220 - 240 VAC/50 Hz napájaní. Abnormálne kolísanie napätia môže spôsobiť, že sa prístroj nespustí, poš kodí sa regulátor teploty alebo kompresor alebo sa môže pri prevádzke vyskytnúť neobvyklý hluk. V takom prípade musíte namontovať automatický regulátor.**
- **Len pre Veľkú Britániu: Napájací kábel zariadenia je vybavený 3-káblovou (uzemň ovacou) zástrčkou, ktorá sa hodí do š tandardnej 3-káblovej (uzemnenej) zásuvky. Tretí kolík (uzemnenie) nikdy**

neodrezávajúte ani neodstraňujte. Po inštalácii spotrebiča musí byť zástrčka prístupná.

- Uistite sa, aby sa kábel napájania nezachytil počas a po presúvaní/prenášaní spotrebiča pod spotrebičom, aby sa zabránilo prerezaniu alebo poškodeniu kábla napájania. Ak došlo k poškodeniu napájacieho kábla, musí ho vymeniť výrobca, jeho servisný zástupca alebo podobne spôsobilá osoba, aby nedošlo k nebezpečenstvu
- Spotrebič neinštalujte vo vlhkom, mastnom ani prašnom prostredí a nevystavujte ho priamemu slnečnému svetlu ani vode
- Spotrebič neinštalujte v blízkosti ohrievačov ani horľavých materiálov
- PRE spotrebiče s mraziacim boxom: v prípade výpadku prúdu neotvárajte veko. Ak bude porucha pretrvávajúca kratšie, než je uvedené na typovom štítku (čas zvyšovania teploty), nemalo by to mať na zmrazené potraviny žiadny vplyv. V prípade dlhšieho výpadku treba potraviny skontrolovať a okamžite skonzumovať, prípadne tepelne upraviť a následne znova zmraziť.
- Ak sa vám zdá, že sa veko spotrebiča bezprostredne po zatvorení otvára veľmi sťažka, nie je to dôvod na obavu. Je to spôsobené rozdielom tlaku, ktorý sa po niekoľkých minútach vyrovná, takže sa veko bude dať znova normálne otvoriť.
- V zariadení neskladujte lieky, baktérie ani chemické látky. Toto zariadenie je domáci spotrebič. Neodporúčame vám, aby ste v ňom skladovali materiály, ktoré vyžadujú presné teploty.
- Elektrický napájací kábel príliš neťahajte a neohýbajte, ani sa ho nedotýkajte mokrými rukami
- V spotrebiči neskladujte produkty, ktoré obsahujú horľavé hnacie plyny (napr. spreje) alebo výbušné látky. Nebezpečenstvo výbuchu!
- Na chladničku neumiestňujte nestabilné predmety (ťažké predmety, nádoby naplnené vodou), aby nedošlo k zraneniu osôb následkom pádu alebo úrazu elektrickým prúdom po kontakte s vodou.
- Vnútri oddelenia na skladovanie potravín v spotrebiči nepoužívajte elektrické spotrebiče, s výnimkou typov spotrebičov povolených zo strany výrobcu
- Nedotýkajte sa vnútorných prvkov chladenia, najmä mokrými rukami, aby sa predišlo prasknutiu alebo zraneniu
- Ohrozené sú deti, osoby so zníženými fyzickými, mentálnymi alebo duševnými schopnosťami, ako aj osoby, ktoré nemajú dostatočné

znalosti o bezpečnej prevádzke spotrebiča. Uistite sa, že deti a zraniteľné osoby chápu nebezpečenstvá. Osoba zodpovedná za bezpečnosť musí dohliadať alebo inštruovať deti a zraniteľné osoby, ktoré používajú spotrebič. Spotrebič môžu používať iba deti staršie ako 8 rokov.

- Deti sa nesmú hrať so spotrebičom
- Deti vo veku od 3 do 8 rokov môžu vkladať a vykladať predmety zo spotrebiča
- PRE spotrebiče s mraziacim boxom: v mraziacom boxe neskladujte kvapaliny vo fľašiach alebo plechovkách (najmä sýtené nápoje). Fľaše a plechovky môže roztrhnúť!
- PRE spotrebiče s mraziacim boxom: mrazené potraviny vybrané priamo z mraziaceho boxu si nikdy nedávajte do úst. Nebezpečenstvo omrzlín!
- Plastové diely a tesnenie dverí udržiajte bez oleja a mastnoty. V opačnom prípade budú plastové časti a tesnenie dverí priepustné.
- Pred vykonaním akéhokoľvek úkonu vytiahnite elektrickú zástrčku z elektrickej zásuvky
- Na urýchlenie odmrazovania spotrebiča nepoužívajte mechanické nástroje ani iné prostriedky, pokiaľ ich neodporučil výrobca
- Na odstránenie námrazy nepoužívajte špicaté alebo ostré predmety, ako sú nože alebo vidličky. Na odmrazovanie nikdy nepoužívajte fény, elektrické ohrievače alebo iné podobné elektrické spotrebiče
- Odporúča sa udržiavať zástrčku kábla čistú. Zvyšky prachu na zástrčke by mohli spôsobiť požiar
- Zariadenie sa nepokúšajte sami opravovať, rozoberať alebo upravovať. V prípade opravy vždy kontaktujte náš zákaznícky servis.
- Počas čistenia alebo údržby spotrebiča dohliadajte na deti.
- Studené sklenené poháre nečistite horúcou vodou. Náhla zmena teploty môže spôsobiť rozbitie skla.
- VAROVANIE: Rúry chladiaceho okruhu prenášajú malé množstvo ekologicky nezávadného, ale horľavého chladiva (R600a) a izolačného plynu (cyklopentán). Nepoškodzuje ozónovú vrstvu a nezvyšuje skleníkový efekt. Ak chladivo unikne, môže vám poraniť oči alebo sa vznietiť.
- V prípade poškodenia chladiaceho okruhu:
 - Vypnite spotrebič a vytiahnite sieťovú zástrčku,
 - Premiestnite otvorený oheň a/alebo zdroje vznietenia mimo spotrebiča,

- Miestnosť niekoľko minút dôkladne vyvetrajte,
- Kontaktujte zákaznícky servis.
- **VAROVANIE:** Nepoš kod'te zástrčku ani napájací kábel. Mohlo by dôjsť k zásahu elektrickým prúdom alebo požiaru.
- **VAROVANIE:** Nepoužívajte viacnásobné prenosné zásuvky ani prenosné napájacie káble. Neodporúčame používanie predlžovacích káblov a viaccestných adaptérov.
- Na vrchnú časť spotrebiča si nesadajte ani nestúpajte. Mohli by ste sa zranit' alebo poš kodit' spotrebič. Tento spotrebič nie je určený na stohovanie s akýmikol'vek inými spotrebičmi.
- Výrobok je navrhnutý a skonš truovaný iba na používanie v domácnosti
- Môžu sa používať iba originálne diely dodávané výrobcom. Výrobca zaručuje, že iba tieto diely vyhovujú bezpečnostným požiadavkám.
- Otváranie dverí na dlhš í čas môže spôsobiť značné zvýš enie teploty v priehradkách spotrebiča
- Pravidelne čistite povrchy, ktoré môžu prísť do kontaktu s potravinami aj prístupné drenážne systémy
- Nádrž na čistú vodu vyčistite, ak sa nepoužívala počas 48 hodín; prepláchnite systém vody napojený na prívod vody, ak sa voda nečerpala v priebehu 5 dní
- Surové mäso a ryby uchovávajte v chladničke vo vhodných nádobách tak, aby neboli v kontakte s inými potravinami alebo aby na ne nekvapkali
- Priehradky na mrazené potraviny s dvomi hviezdikami (ak sa v spotrebiči nachádzajú) sú vhodné na uchovávanie predmrazených potravín, uchovávanie alebo tvorbu zmrzliny a tvorbu ľadových kociek
- Jedno-, dvoj- a trojhviezdičkové priehradky (ak sa v spotrebiči nachádzajú) nie sú vhodné na mrazenie čerstvých potravín
- Ak sa spotrebič ponechá dlhš ie obdobie prázdny, vypnite, odmrazte, vyčistite, osuš te ho a nechajte otvorené dvierka, aby sa prediš lo tvorbe plesne v spotrebiči
- V prípade spotrebičov na uchovávanie vína: tento spotrebič je určený výlučne na uchovávanie vína
- V prípade voľne stojaceho spotrebiča: tento chladiaci spotrebič nie je určený na použitie ako vstavaný spotrebič
- V prípade spotrebičov bez š tvorhviezdičkového oddelenia: tento chladiaci spotrebič nie je vhodný na mrazenie potravín

Likvidácia starých spotrebičov



Toto zariadenie je označené podľa európskej smernice 2012/19/EÚ o odpade z elektrických a elektronických zariadení (OEEZ).

OEEZ obsahuje znečisťujúce látky (ktoré môžu mať negatívny dopad na životné prostredie) a základné komponenty (ktoré je možné opätovne použiť). Je dôležité, aby sa s OEEZ manipulovalo ako so špeciálnym odpadom, aby sa odstránili a správne zlikvidovali všetky znečisťujúce látky a aby sa zhodnotili a recyklovali všetky materiály.

Jednotlivci môžu zohrávať dôležitú rolu pri zabezpečovaní toho, aby sa z OEEZ nestal problém životného prostredia; potrebné je dodržiavať niekoľko základných pravidiel:

- S OEEZ sa nesmie manipulovať ako s domovým odpadom;
- OEEZ je potrebné odovzdať v príslušných zberných strediskách spravovaných obcou alebo registrovanými spoločnosťami. V mnohých krajinách sa vykonáva vyzdvihnutie veľkého OEEZ v domácnostiach.

V mnohých krajinách môžete pri kúpe nového spotrebiča vrátiť starý predajcovi, ktorý je povinný vyzdvihnúť ho bezplatne systémom jedného starého zariadenia za jedno nové zariadenie ekvivalentného typu a s rovnakými funkciami ako má odovzdávané zariadenie.

Zhoda

Označením tohto výrobku značkou **CE** potvrdzujeme zhodu so všetkými relevantnými európskymi bezpečnostnými, zdravotnými a environmentálnymi požiadavkami, ktoré sa v právnych predpisoch vzťahujú na tento výrobok.

Záruka

Minimálna záruka je: 2 roky pre krajiny EÚ, 3 roky pre Turecko, 1 rok pre Spojené kráľovstvo, 1 rok pre Rusko, 3 roky pre Švédsko, 2 roky pre Srbsko, 5 rokov pre Nórsko, 1 rok pre Maroko, 6 mesiacov pre Alžírsko, Tunisko nevyžaduje žiadnu právnu záruku.

Úspora energie

Ak chcete zvýšiť úsporu energie, odporúčame vám:

- Spotrebič nainštalujte ďaleko od zdrojov tepla a nevystavujte ho priamemu slnečnému žiareniu. Umiestnite ho v dobre vetranej miestnosti.
- Do spotrebiča nevkladajte teplé jedlá, aby ste zabránili zvýšeniu teploty vnútri, čo by zase spôsobilo nepretržitú činnosť kompresora.
- Potraviny nekladte tesne blízko seba a okolo stien, aby sa zaistila cirkulácia vzduchu.
- Ak je vnútri spotrebiča ľad a námraza, odmrzte ho, uľahčí sa tým prechod tepla.
- V prípade výpadku elektrického napájania sa odporúča nechávať dvere chladničky zatvorené.
- Dvere otvárajte a nechávajte ich otvorené čo najkratšie.
- Vyvarujte sa nastaveniu príliš nízkej teploty.
- Odstráňte prach zo zadnej mriežky spotrebiča.

POKYNY NA INŠTALÁCIU

➤ **Pred použitím chladničky na víno**

- Odstráňte vonkajší a vnútorný obal.
- Pred pripojením chladničky na víno k zdroju napájania ju nechajte stáť približne 2 hodiny vo vzpriamenej polohe. Zníži sa tým možnosť porúch v chladiacom systéme v dôsledku manipulácie počas prepravy.
- Vnútorný povrch umyte vlažnou vodou a mäkkou handričkou.
- Tento spotrebič je určený na použitie v domácnosti a na podobné použitia, napríklad
 - v kuchynkách pre pracovníkov v obchodoch, v kanceláriách alebo na iných pracoviskách;
 - v poľnohospodárskych domoch a miestnostiach klientov v hoteloch, motelloch a iných obytných prostrediach;
 - v objektoch na prenocovanie s raňajkami;
 - v stravovacích službách a podobných použitiach.
- Pri likvidácii spotrebiča vyberte autorizované miesto likvidácie.

➤ **Inštalácia vašej chladničky na víno**

- Tento spotrebič je určený na inštaláciu vo voľnom stoji alebo vstavaný (plne zapustený) (pozri umiestnenie nálepky na zadnej strane tohto spotrebiča).
- **Tento spotrebič je určený výhradne na skladovanie vína alebo nápojov.**
- Umiestnite chladničku na víno na dostatočne pevnú podlahu, aby ju po plnom naložení uniesla. Ak chcete vyrovnať chladničku na víno, nastavte prednú vyrovnávacej nohu v spodnej časti chladničky na víno.
- Tento spotrebič používa horľavé chladivo, takže počas prepravy nikdy nepoškodíte chladiace potrubia. Umiestnite chladničku na víno mimo dosahu priameho slnečného svetla a zdroja tepla (sporák, kúrenie, radiátor atď.). Priame slnečné svetlo môže ovplyvniť akrylový povlak a tepelné zdroje môžu zvýšiť spotrebu elektriny. Mimoriadne nízke teploty prostredia môžu spôsobiť aj nesprávnu prevádzku zariadenia.
- Nedávajte jednotku do vlhkých miest.
- Pripojte chladničku na víno do vyhradenej, správne uzemnenej zásuvky. Za žiadnych okolností neodrežte ani neodstraňujte tretí (uzemňovací) kolík elektrického napájacieho kábla. O všetkých otázkach o elektrickom napájaní a uzemnení sa poraďte priamo s vyškoleným elektrikárom alebo pracovníkom autorizovaného servisného strediska výrobcov danej značky.

➤ **Pozor**

- Skladujte víno v zapečatených fľašiach;
- Nepreplňujte skriňu;
- Neotvárajte dvere, pokiaľ to nie je potrebné;
- Nezakrývajte police hliníkovou fóliou alebo iným materiálom, ktorý by mohol brániť prúdeniu vzduchu;
- Ak je chladnička na víno dlhodobo skladovaná bez použitia, odporúča sa po starostlivom vyčistení nechať dvierka otvorené, aby mohol vzduch cirkulovať vnútri skrine, aby nedochádzalo k tvorbe kondenzácie, plesní alebo zápachu.

➤ **Limitné hodnoty okolitej teploty**

Tento spotrebič je navrhnutý na prevádzku pri okolitých teplotách stanovených jeho teplotnou triedou vyznačenou na menovitom štítku.









- Rozšírená mierna (SN): „tento chladiaci spotrebič je určený na používanie pri teplote okolia od 10 °C do 32 °C“
- Mierna (N): „tento chladiaci spotrebič je určený na používanie pri teplote okolia od 16 °C do 32 °C“
- Subtropická (ST): „tento chladiaci spotrebič je určený na používanie pri teplote okolia od 16 °C do 38 °C“

- Tropická (T): „tento chladiaci spotrebič je určený na používanie pri teplote okolia od 16 °C do 43 °C“

OBSLUHA CHLADNIČKY VÍNA A NASTAVENIE REGULÁCIE TEPLoty

➤ Pokyny pre ovládací systém



- Tlačidlo „“
Pre zapnutie/vypnutie napájania. (Stlačte a podržte toto tlačidlo približne 3 sekundy);
- Tlačidlo „“
Pre zvýšenie (ohrev) teploty v krokoch po 1 °C.
- Tlačidlo „“
Pre zníženie (ochladenie) teploty v krokoch po 1 °C.
- Tlačidlo „“
Zapnutie/vypnutie vnútorného osvetlenia.
- **kontrolka**
Kompresor na prevádzkovom displeji.
- **Okno LED displeja**
Pre zobrazenie nastavenej teploty.
- Nastavenie regulácie teploty
 - Ak chcete nastaviť teplotu, pripojte napájací kábel k riadne uzemnenej zásuvke. V prípade prerušenia napájania sa predchádzajúce nastavenie teploty automaticky vymaže a východiskové nastavenie teploty je 12 °C.
 - Požadovanú teplotu chladenia nastavte stlačením tlačidiel vedľa indikátorov „“ alebo „“. Každým stlačením tlačidiel prechádzate dostupnými nastaveniami teploty v krokoch po 1 °C.
 - Teplotu je možné nastaviť od 5 °C do 18 °C.
 - Ak chcete zistiť každú skutočnú vnútornú teplotu, stlačte a podržte tlačidlo „“ alebo „“ tlačidlo na 3 sekundy, LED bliká a zobrazuje aktuálnu teplotu. Po uvoľnení tlačidla na 5 sekúnd LED obrázok prestane blikáť, a potom sa vráti späť a zobrazí sa nastavená teplota.
Blikajúca LED = teplota skrine
Nepretržite svietajúca LED = nastavená teplota

➤ **Vnútorné osvetlenie**

Aby sa znížila spotreba energie, v tejto vinotéke sa automaticky vypne LED osvetlenie po 10 minútach.

Ak chcete, aby LED osvetlenie nepretržite svietilo, je to možné. Stlačte a podržte tlačidlo „LIGHT“ (OSVETLENIE) po dobu 5 sekúnd, na displeji sa zobrazí „LP“. Po 4 sekundách sa displej vráti do normálu a osvetlenie zostane rozsvietené, kým sa ručne nevypne.

Ak sa chcete vrátiť k pôvodnému nastaveniu a šetriť energiu (odporúčané), stlačte a podržte tlačidlo „LIGHT“ (OSVETLENIE) po dobu 5 sekúnd, na displeji sa zobrazí „LF“, po 4 sekundách sa displej vráti späť do normálu a osvetlenie sa automaticky vypne po 10 minútach.

➤ **Teplotný alarm**

Ak je teplota vo vnútri vyššia ako 23 °C, na displeji sa zobrazí „HI“, a po jednej hodine zaznie alarm/bzučiak. To znamená, že teplota vo vnútri je príliš vysoká. Ak je teplota vo vnútri nižšia ako 0 °C, na displeji sa zobrazí „LO“ a súčasne je aktívny indikátor poruchy a tiež aj alarmu.

➤ **Funkcia obnovenia teploty**

V prípade prerušenia napájania si chladnička na víno môže zapamätať predchádzajúce nastavenia teploty a pri obnovení napájania sa teplota chladničky vráti na rovnakú nastavenú teplotu ako pri vypnutí napájania.

➤ **POZNÁMKA:**

- Ak je jednotka odpojená, dôjde k strate alebo vypnutiu napájania, musíte pred reštartovaním vyčekať 3 až 5 minút. Ak sa pokúsite o reštart pred týmto oneskorením, chladnička na víno/chladnička na nápoje sa nespustí.
- Pri prvom použití chladničky na víno/chladničky na nápoje alebo reštartovaní chladničky na víno/chladničky na nápoje po dlhom vypnutí môže dôjsť k niekoľkým stupňom rozdielu medzi vami zvolenou teplotou a teplotou uvedenou na LED indikátore. To je bežné a je to kvôli dĺžke aktivačnej doby. Len čo bude chladnička na víno/chladnička na nápoje niekoľko hodín v prevádzke, všetko sa vráti do normálu.

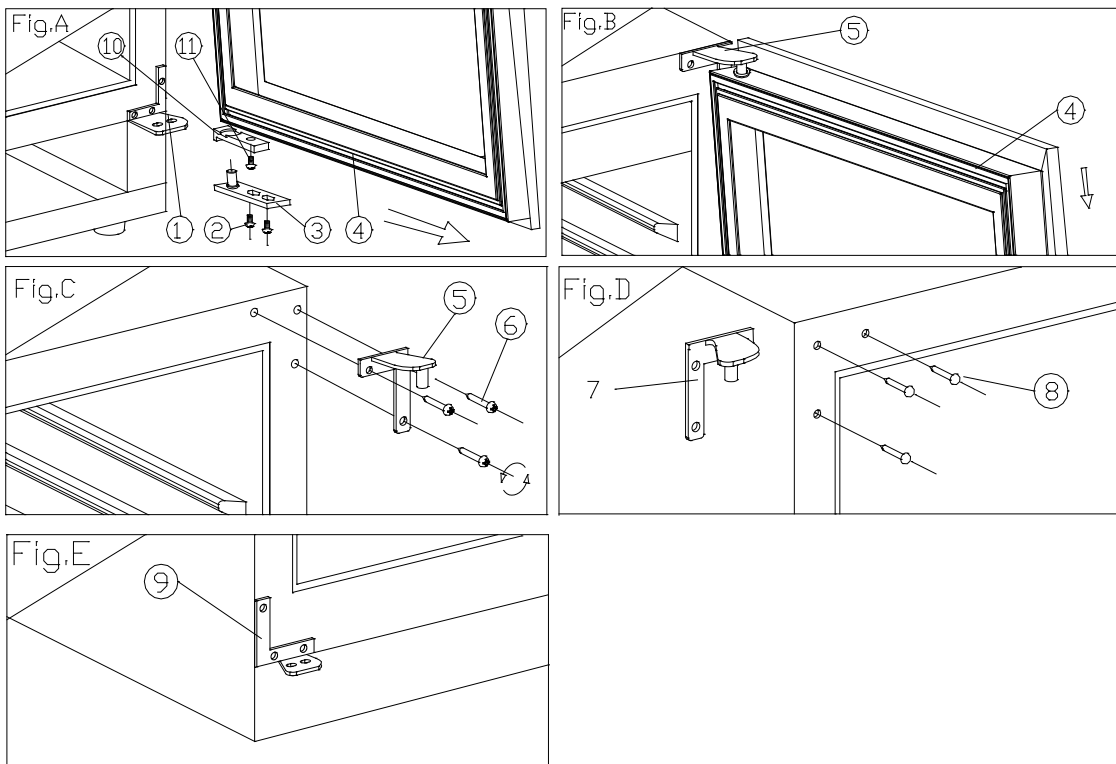
➤ Ako zmeniť otváranie dvierok

Tento spotrebič má reverzibilné dvierka, ale dodáva sa s dvierkami zavesenými vpravo. Súprava ľavého závesu je dodávaná s jednotkou (v krabici), ak chcete zmeniť stranu závesu na jednotke.

Typ A (pre dvere zo skla / nerezovej ocele)

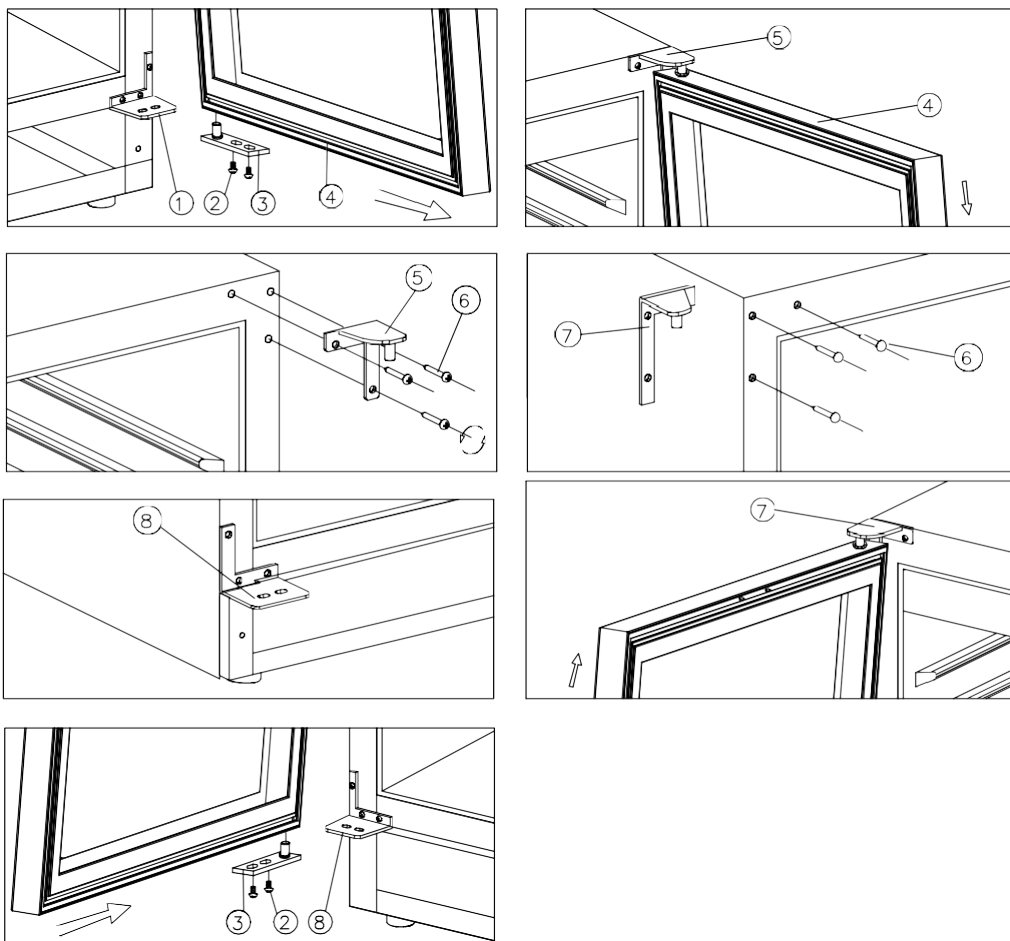
- | | | |
|-------------------------|------------------------|------------------------|
| 1. Spodný záves (pravý) | 2. Skrutky | 3. Vonkajšia os |
| 4. Dvierka | 5. Horný záves (pravý) | 6. Skrutky závesov |
| 7. Horný záves (ľavý) | 8. Kryt otvoru | 9. Spodný záves (ľavý) |
| 10. Obmedzovač dvierok | 11. Skrutka | |

1. Otvorte dvierka pod uhlom 90 stupňov, vyberte 2 skrutky (2) z osi spodných dvierok (3), vyberte dvierka (4), vyberte osovú doštičku (3) zo dvierok, (obr. A).
2. Odskrutkujte skrutku (11) umiestnenú pod rámom dvierok a obmedzovačom (10) a premiestnite ju na ľavú stranu rámu dvierok. (obr. A/B)
3. Vyberte 3 skrutky závesu (6) z horného závesu (pravý) (5) a vyberte ho. (obr. C)
4. Odstráňte ozdobný klinec (8) z ľavého horného okraja skrine a namontujte náhradný horný záves (ľavý) (7) v ľavom hornom okraji skrine pomocou 3 skrutiek. (obr. D)
5. Podľa vyššie uvedeného postupu nainštalujte naľavo náhradný spodný záves (9). (obr. E)
6. Nainštalujte a zarovnajte dvierka.
7. Vložte plastové uzávery, aby ste zakryli otvory (8).



Typ B (pre štíhle dvere z nehrdzavejúcej ocele)

- | | | |
|-------------------------|------------------------|--------------|
| 1 Spodný záves (vpravo) | 2 Skrutky | 3 Os dvierok |
| 4 Dvierka | 5 Horný záves (vpravo) | 6 Skrutky |
| 7 Horný záves (vľavo) | 8 Spodný záves (vľavo) | |

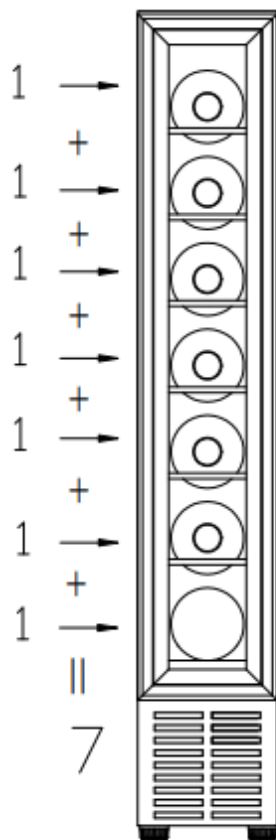


1. Demontujte 2 skrutky (2), potom vytiahnite dvierka (4) podľa smeru šípky a dolný záves (vpravo) (1), rovnako aj pri montáži. (Obr. A a obr. B)
2. Demontujte 3 skrutky (6) pravého horného závesu, potom odstráňte pravý horný (5) a pravý dolný záves (1). (Pozrite si obr. C)
3. Pomocou skrutiek, ktoré ste odstránili z pravých bočných závesov, upevnite ľavé horné a spodné závesy (7) (8). (Pozrite si obr. D a obr. E)
4. Otočte dvierka o 180 stupňov, a potom ich namontujte opačným spôsobom ako pri demontáži.

➤ **Schéma uloženia**

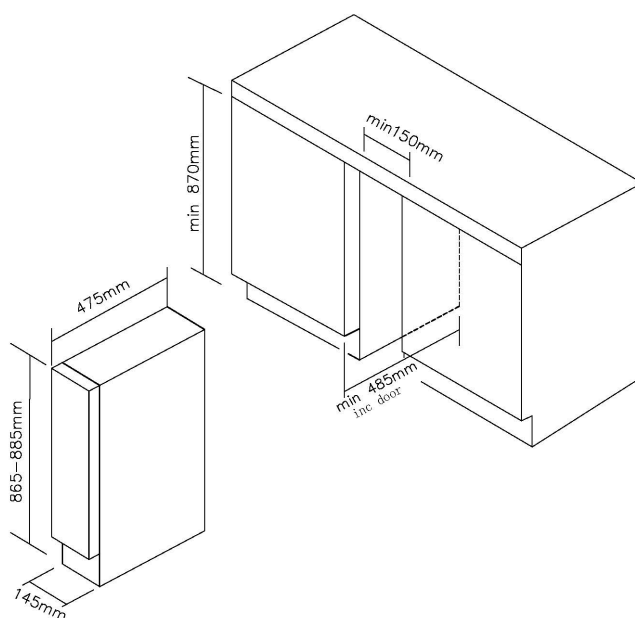
V závislosti od aktuálnej konfigurácie vášho produktu skontrolujte príslušnú schému uloženia.

Pre výšku 865mm
Total: 7 fliaš (Max)



Najúspornejšia konfigurácia si vyžaduje, aby boli poličky umiestnené vo výrobku, pozrite si vyššie uvedené obrázky.

➤ **Špecifikácie inštalácie pre zabudovanie**



STAROSTLIVOSŤ A ÚDRŽBA

➤ Čistenie chladničky na víno

- Vypnite napájanie, odpojte spotrebič a odstráňte všetky položky, vrátane políc a stojanu.
- Vnútorne povrchy umyte roztokom teplej vody s jedlou sódou. Pre vytvorenie roztoku rozpustíte 2 polievkové lyžice v jednom litri vody.
- Police umyte jemným roztokom čistiaceho prostriedku.
- Pri čistení oblasti ovládacích prvkov alebo akýchkoľvek elektrických častí odstráňte prebytočnú vodu z huby alebo handričky.
- Vonkajší povrch umyte teplou vodou a jemným tekutým čistiacim prostriedkom. Dobro opláchnite a utrite do sucha čistou mäkkou handričkou.

➤ Prerušenie elektrického napájania

- Väčšina výpadkov napájania je vyriešená v priebehu niekoľkých hodín a nemala by ovplyvniť teplotu spotrebiča, ak minimalizujete počet otvorení dvierok. Ak sa elektrické napájanie preruší na dlhšie, bude potrebné urobiť správne kroky na ochranu obsahu chladničky.

➤ Obdobie dovolenky

- **Krátka dovolenka:** Počas dovolenky kratšej ako tri týždne nechajte chladničku na víno v prevádzke.
- **Dlhá dovolenka:** Ak sa spotrebič nebude používať niekoľko mesiacov, odstráňte všetky položky a vypnite ho. Vnútro dôkladne vyčistite a vysušte. Aby ste zabránili vzniku zápachu a plesní, nechajte dvierka mierne otvorené: v prípade potreby ich zablokujte otvorené.

➤ Premiestnenie chladničky na víno

- Vyberte všetky položky.
- Upevnite starostlivo všetky voľné diely (police) vo vnútri spotrebiča.
- Nastaviteľnú nohu otočte nahor k základni, aby nedošlo k poškodeniu.
- Zaistite dvierka páskou.
- Počas prepravy zaistite, aby spotrebič zostal vo vzpriamenej polohe. Chráňte tiež vonkajší povrch spotrebiča prikrývkou alebo podobným predmetom.

➤ Tipy na úsporu energie

- Chladnička na víno by mala byť umiestnená v najchladnejšej časti miestnosti, mimo dosahu spotrebičov produkujúcich teplo a mimo priameho slnečného svetla.

PROBLÉMY S CHLADNIČKOU NA VÍNO/CHLADNIČKOU NA NÁPOJE?

Mnoho bežných problémov s chladničkou na víno/chladničkou na nápoje môžete ľahko vyriešiť, čím ušetríte náklady na možný servisný hovor. Postupujte podľa odporúčaní nižšie, aby ste videli, či problém nedokážete vyriešiť aj bez volania servisného technika.

RIEŠENIE PROBLÉMOV:

PROBLÉM	MOŽNÉ PRÍČINY
Chladnička na víno/chladnička na nápoje nefunguje.	Nie je zapojená do elektrickej siete. Spotrebič je vypnutý. Vypadnutý istič alebo spálená poistka.
V chladničke na víno/chladničke na nápoje nie je dostatočný chlad.	Skontrolujte nastavenie regulácie teploty. Vonkajšie prostredie si môže vyžadovať vyššie nastavenie. Otvárali ste príliš často dvere. Dvere nie sú úplne zatvorené. Tesnenie dverí nedosadá správne.
Často sa zapína a vypína.	Teplota v miestnosti je vyššia ako bežne. Do chladničky na víno/chladničky na nápoje bolo pridané veľké množstvo obsahu. Otvárali ste príliš často dvere. Dvere nie sú úplne zatvorené. Ovládač teploty nie je nastavený správne. Tesnenie dverí nedosadá správne.
Nesvieti svetlo.	Nie je zapojená do elektrickej siete. Vypadnutý istič alebo spálená poistka. Vypálila sa žiarovka. Tlačidlo osvetlenia je „VYPNUTÉ“.
Vibrácie.	Skontrolujte, či je chladnička na víno/chladnička na nápoje vyrovnaná.
Zdá sa, že chladnička na víno/chladnička na nápoje vydáva príliš veľký hluk.	Klokotanie môže byť spôsobené prúdením chladiva, čo je normálne. Po ukončení každého cyklu môžete počuť bublanie spôsobené prietokom chladiva v chladničke na víno/chladničke na nápoje. Kontrakcia a expanzia vnútri stien môže spôsobiť praskanie a pukanie. Chladnička na víno/chladnička na nápoje nie je vyrovnaná.
Dvere nie sú správne zatvorené.	Chladnička na víno/chladnička na nápoje nie je vyrovnaná. Dvierka bola obrátené a nebola správne nainštalované. Tesnenia sú špinavé. Police sú vysunuté zo svojho miesta.

Ak chcete kontaktovať technickú pomoc, navštívte našu webovú stránku: <https://corporate.haier-europe.com/en/>. V sekcii „webová stránka“ vyberte značku vášho produktu a vašu krajinu. Budete presmerovaní na konkrétnu webovú stránku, kde nájdete telefónne číslo a formulár na kontaktovanie technickej pomoci

➤ **Dostupnosť náhradných dielov**

- Termostaty, snímače teploty, dosky plošných spojov a svetelné zdroje, aspoň počas siedmich rokov od uvedenia posledného kusu daného modelu na trh
- Rúčky a závesy dverí, poličky a košíky aspoň počas siedmich rokov a tesnenia dverí aspoň počas 10 rokov od uvedenia posledného kusu daného modelu na trh;

Odporúčané NASTAVENIA teploty

Na skladovanie VŠETKÝCH DRUHOV VÍN

12 °C to 14 °C

Odporúčaná TEPLOTA pitia

Šampanské neročnikové, šumivé

6 °C

Šampanské ročnikové

10 °C

Suchý biely Semilion, Sauvignon Blanc

8 °C

Suchý biely Gewürztraminer, Rizling

10 °C

Suché biele Chardonnay

10 °C

Ročnikové Chardonnay

14 °C

Sladké biele Sauternes Monbazillac, neskorý zber ľadového vína

10 °C

Sladké biele ročnikové Sauternes

14 °C

Beaujolais

13 °C

Rulandské modré

16 °C

Ročnikové Rulandské modré

18 °C

Červený Cabernet, Merlot, francúzsky, austrálsky, novozélandský, čínsky, argentínsky, taliansky, španielsky, kalifornský

18 °C

Red Grenache, Syrah

16 °C

Ďalšie informácie o produkte nájdete na <https://eprel.ec.europa.eu/> alebo naskenujte QR na energetickom štítku dodávanom so spotrebičom.