

# DAILY REFERENCE GUIDE



**THANK YOU FOR BUYING A WHIRLPOOL PRODUCT.**  
In order to receive a more complete assistance, please register your appliance on: [www.whirlpool.eu/register](http://www.whirlpool.eu/register)

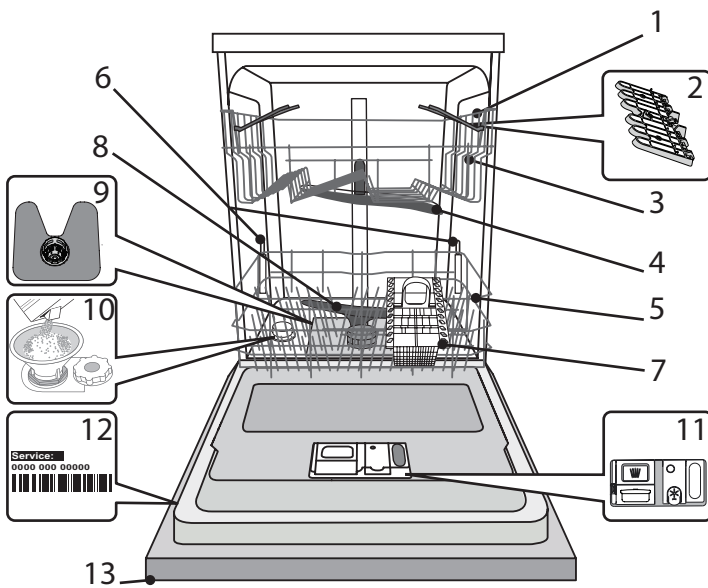


You can download the Safety Instructions and the User Manual, by visiting our website [docs.whirlpool.eu](http://docs.whirlpool.eu) and following the Instructions on the back of this booklet.

**Before using the appliance carefully read Safety Instructions guide.**

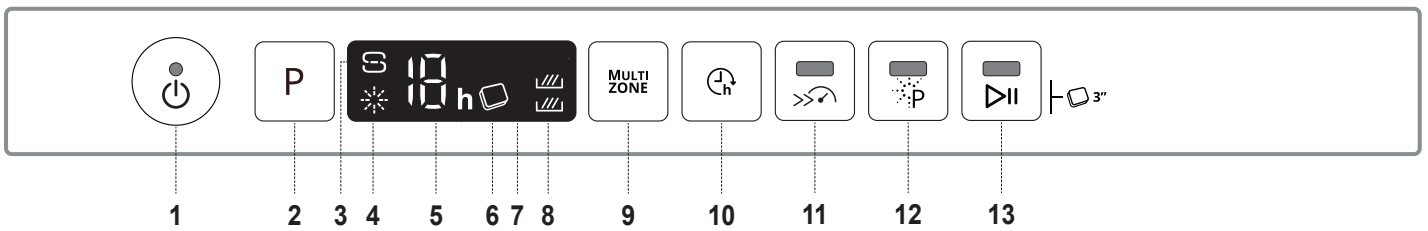
## PRODUCT DESCRIPTION

### APPLIANCE



1. Upper rack
2. Foldable flaps
3. Upper rack height adjuster
4. Upper spray arm
5. Lower rack
6. Power Clean® support
7. Cutlery basket
8. Lower spray arm
9. Filter Assembly
10. Salt reservoir
11. Detergent and Rinse Aid dispensers
12. Rating plate
13. Control panel

### CONTROL PANEL



1. ON-OFF/Reset button with indicator light
2. Program selection button
3. Salt refill indicator light
4. Rinse Aid refill indicator light
5. Program number and delay time indicator
6. Tablet indicator light
7. Display
8. Multizone indicator lights
9. Multizone button
10. Delay button
11. Turbo button with indicator light
12. Power Clean® button with indicator light
13. START/Pause button with indicator light / Tab

# FIRST TIME USE

## SALT, RINSE AID AND DETERGENT


### ADVICE REGARDING THE FIRST TIME USE

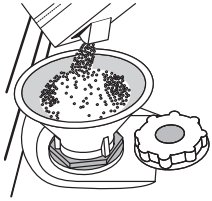
After installation, remove the stoppers from the racks and the retaining elastic elements from the upper rack.

### FILLING THE SALT RESERVOIR

The use of salt prevents the formation of LIMESCALE on the dishes and on the machine's functional components.

- It is mandatory that **THE SALT RESERVOIR NEVER BE EMPTY.**
- It is important to set the water hardness.

The salt reservoir is located in the lower part of the dishwasher (see *PRODUCT DESCRIPTION*) and must be filled when the **SALT REFILL indicator light**  in the control panel is lit.



1. Remove the lower rack and unscrew the reservoir cap (anticlockwise).
2. **Only the first time you do this: fill the salt reservoir with water.**
3. Position the funnel (see figure) and fill the salt reservoir right up to its edge (approximately 1 kg); it is not unusual for a little water to leak out.
4. Remove the funnel and wipe any salt residue away from the opening.

Make sure the cap is screwed on tightly, so that no detergent can get into the container during the wash program (this could damage the water softener beyond repair).

**Whenever you need to add salt, it is mandatory to complete the procedure before the beginning of the washing cycle to avoid corrosion.**

### SETTING THE WATER HARDNESS

To allow the water softener to work in a perfect way, it is essential that the water hardness setting is based on the actual water hardness in your house. This information can be obtained from your local water supplier.

The factory sets the default value for the water hardness.

- Switch on the appliance by pressing the **ON/OFF** button.
- Switch off the appliance by pressing the **ON/OFF** button.
- Hold down button **P** for 5 seconds, until you hear a beep.
- Switch on the appliance by pressing the **ON/OFF** button.
- The current selection level number and the salt indicator light both flash.
- Press button **P** to select the desired hardness level (see *WATER HARDNESS TABLE*).

Water Hardness Table				
Level		°dH German degrees	°fH French degrees	°Clark English degrees
1	Soft	0 - 6	0 - 10	0 - 7
2	Medium	7 - 11	11 - 20	8 - 14
3	Average	12 - 16	21 - 29	15 - 20
4	Hard	17 - 34	30 - 60	21 - 42
5	Very hard	35 - 50	61 - 90	43 - 62

- Switch off the appliance by pressing the **ON/OFF** button.

Setting is complete!

As soon as this procedure is complete, run a program without loading.

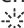
**Only use salt that has been specifically designed for dishwashers.**

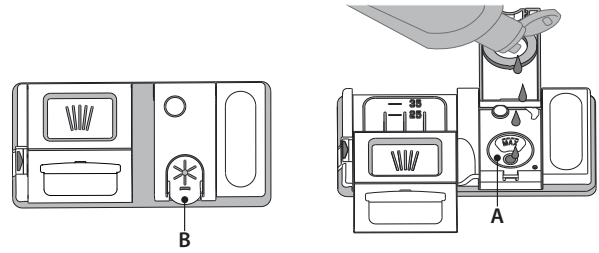
After the salt has been poured into the machine, the SALT REFILL indicator light switches off.

**If the salt container is not filled, the water softener and the heating element may be damaged as a result of limescale accumulation.**

**Using of Salt is recommended with any type of dishwasher detergent.**

### FILLING THE RINSE AID DISPENSER

Rinse aid makes dish DRYING easier. The rinse aid dispenser **A** should be filled when the **RINSE AID REFILL indicator light**  in the control panel is lit.



1. Open the dispenser **B** by pressing and pulling up the tab on the lid.
  2. Pour in the rinse aid (max.110 ml), making sure it does not overflow from the dispenser. If this happens, clean the spill immediately with a dry cloth.
  3. Press the lid down until you hear a click to close it.
- NEVER pour the rinse aid directly into the appliance tub.**

### ADJUSTING THE DOSAGE OF RINSE AID

If you are not completely satisfied with the drying results, you can adjust the quantity of rinse aid used.

- Switch the dishwasher on using the **ON/OFF** button.
- Switch it off using the **ON/OFF** button.
- Press button **P** three times - a beep will be heard.
- Switch it on using the **ON/OFF** button.
- The current selection level number and rinse aid indicator light flash.
- Press button **P** to select the level of rinse aid quantity to be supplied.
- Switch it off using the **ON/OFF** button

Setting is complete!

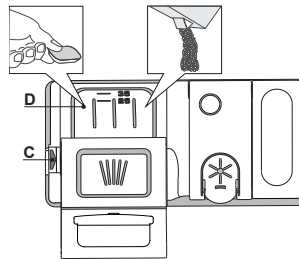
If the rinse aid level is set to ZERO (ECO), no rinse aid will be supplied. The LOW RINSE AID indicator light will not be lit if you run out of rinse aid.

A maximum of 5 levels can be set according to the dishwasher model. The factory setting is specific to the model, please follow instruction above to check this for your machine.

- If you see bluish streaks on the dishes, set a low number (1-2).
- If there are drops of water or limescale marks on the dishes, set a mid-range number (3-4).

### FILLING THE DETERGENT DISPENSER

**To open the detergent dispenser use the opening device C. Introduce the detergent into the dry dispenser D only. Place the amount of detergent for pre-washing directly inside the tub.**



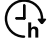













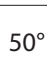



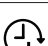

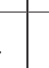
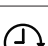

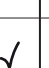



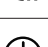

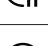
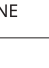
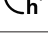
1. When measuring out the detergent refer to the mentioned earlier information to add the proper quantity. Inside the dispenser **D** there are indications to help the detergent dosing.
2. Remove detergent residues from the edges of the dispenser and close the cover until it clicks.
3. Close the lid of the detergent dispenser by pulling it up until the closing device is secured in place.

The detergent dispenser automatically opens up at the right time according to the program.

If all-in-one detergents are used, we recommend using the **TABLET** button, because it adjusts the program so that the best washing and drying results are always achieved.

**Usage of detergent not designed for dishwashers may cause malfunction or damage to the appliance.**

# PROGRAMS TABLE

Program	Drying phase	Natural-Dry	Available options <sup>*)</sup>	Duration of wash program (h:min) <sup>**)</sup>	Water consumption (litres/cycle)	Energy consumption (kWh/cycle)	
1. Eco	ECO 50°	✓	✓	   	3:10	9.5	0.75
2. 6 <sup>th</sup> Sense®	 50-60°	✓	✓	 MULTI ZONE   	1:25 - 3:00	7.0 - 14.0	0.90 - 1.40
3. Intensive	 65°	✓	✓	 MULTI ZONE   	2:50	14.0	1.50
4. Fast Wash&Dry	 50°	✓	✓	 MULTI ZONE 	1:25	11.5	1.10
5. Crystals	 45°	✓	✓	 MULTI ZONE 	1:40	11.5	1.20
6. Rapid 30'	 50°	-	-	 MULTI ZONE 	0:30	9.0	0.50
7. Silent	 50°	✓	✓	 	3:30	15.0	1.15
8. Sanitizing	 65°	✓	-		1:40	10.0	1.30
9. Prewash	 -	-	-	 MULTI ZONE	0:12	4.5	0.01
10. Self-Clean	 65°	-	-		0:50	8.0	0.85

ECO program data is measured under laboratory conditions according to European Standard EN 60436:2020.

Note for Test Laboratories:

For information on comparative EN testing conditions, please send an email to the following address: [dw\\_test\\_support@europeanappliances.com](mailto:dw_test_support@europeanappliances.com)

Pre-treatment of the dishes is not needed before any of the programs.

\*) Not all options can be used simultaneously.

\*\*) Values given for programs other than the program Eco are indicative only. The actual time may vary depending on many factors such as temperature and pressure of the incoming water, room temperature, amount of detergent, quantity and type of load, load balancing, additional selected options and sensor calibration. The sensor calibration can increase program duration up to 20 min.

## PROGRAMS DESCRIPTION

### Instructions on wash cycle selection.

#### 1 ECO

Eco programme is suitable to clean normally soiled tableware, that for this use, it is the most efficient programme in terms of its combined energy and water consumption, and that it is used to assess compliance with the EU Ecodesign legislation.

#### 2 6<sup>th</sup> SENSE®

For normally soiled dishes with dried food residues. Senses the level of soiling on the dishes and adjusts the program accordingly. When the sensor is detecting the soil level an animation appears in the display and the cycle duration is updated.

#### 3 INTENSIVE

Program recommended for heavily soiled crockery, especially suitable for pans and saucepans (not to be used for delicate items).

#### 4 FAST WASH&DRY

Normally soiled crockery. Everyday cycle, that ensures optimal cleaning and drying performance in shorter time.

#### 5 CRYSTALS

Program for delicate items, which are more sensitive to high temperatures, for example glasses and cups.

#### 6 RAPID 30'

Program to be used for half load of lightly-soiled dishes with no dried food residues. Does not include drying phase.

#### 7 SILENT

Suitable for night-time operation of the appliance. Ensures optimal cleaning and drying performance with the lowest noise emission.

#### 8 SANITIZING

Normally or heavily soiled crockery, with additional antibacterial wash. Can be used to perform maintenance of the dishwasher.

#### 9 PREWASH

Use to refresh crockery planned to be washed later. No detergent to be used with this program.

#### 10 SELF-CLEAN

Program to be used to perform maintenance of the dishwasher, to be carried out only when the dishwasher is EMPTY using specific detergents designed for dishwasher maintenance

#### Notes:

Please note that cycle *Rapid 30'* is dedicated for lightly soiled dishes.

# OPTIONS AND FUNCTIONS

OPTIONS can be selected directly by pressing the corresponding button (see CONTROL PANEL).

**If an option is not compatible with the selected program see PROGRAMS TABLE, the corresponding LED flashes rapidly 3 times and beeps will sound. The option will not be enabled.**

## MULTI ZONE MULTIZONE

If there are not many dishes to be washed, a half loading may be used in order to save water, electricity and detergent. Select the program and then press the MULTIZONE button: the symbol of the chosen rack will appear on the display. By default the appliance washes dishes in all racks.



To wash only the specific rack, press this button repeatedly: shown on the display (only lower rack)



shown on the display (only upper rack)



shown on the display (option is OFF and the appliance will wash dishes in all racks).

**Remember to load the upper or lower rack only, and to reduce the amount of detergent accordingly. If upper rack is removed, please apply detergent directly to tub instead of detergent dispenser.**



## DELAY

The start time of the program may be delayed for a period of time between **1** and **12** hours.

1. Press the DELAY button: the corresponding «h» symbol appears on the display; each time you press the button, the time (1h, 2h, etc. up to max. 12h) from the start of the selected wash cycle will be increased.
2. Select the wash program, press the START/PAUSE button and within 4 seconds close the door: the timer will begin counting down.
3. Once this time has elapsed, the indicator light «h» switches off and the wash cycle begins.

To adjust the delay time and select a shorter period of time, press the DELAY button. To cancel it, press the button repeatedly until the selected delayed start indicator light «h» switches off.

**The DELAY function cannot be set once a wash cycle has been started.**



## TURBO

This option can be used to reduce the duration of the main programs while maintaining the same washing and drying performance levels.

After selecting the program, press the TURBO button and the indicator light will switch on. To deselect the option, press the same button again.



## POWER CLEAN®

Thanks to the additional power jets this option provides a more intensive and powerful wash in the lower rack, in the specific area. This option is recommended for washing pots and casseroles. Press this button to activate POWER CLEAN (the indicator lights up).



## TABLET (Tab)

This setting allows you to optimize the performance of the program according to the type of detergent used. Press the START/PAUSE button for 3 seconds (the corresponding symbol will light up) if you use combined detergents in tablet form (rinse aid, salt and detergent in 1 dose).

**If you use powder or liquid detergent, this option should be off.**



## OPERATION INDICATOR

A LED light projected on the floor indicates that the dishwasher is working. One of the following operating modes can be selected:

- a) Disabled function.
- b) When the cycle starts the light goes on for few seconds, stays off during the cycle and flashes at the end of the cycle.
- c) The light stays on during the cycle and flashes at the end of the cycle (default mode).

If the delayed start was set, the light goes on either for the first few seconds or the entire duration of the countdown, based on whether mode b) or c) was set.

The light goes off every time the door is opened. To select the mode you prefer, switch on the machine, hold down button **P** until one of the three letters appears on the display, press button **P** until you reach the desired letter (or mode), hold down button **P** to confirm the selection.

**Note: If NaturalDry is active and it opens the door, then Operation Indicator will not flash at the end of cycle.**

## NaturalDry

NaturalDry is a convection drying system which automatically opens the door during/after drying phase to ensure exceptional drying performance every day. Door opens at the temperature that is safe to your kitchen furniture, thus door will not be opened when the option of TURBO is on.

As additional steam protection, special designed protection foil is added together with the dishwasher. To see how to mount protection foil please refer to (INSTALLATION GUIDE).

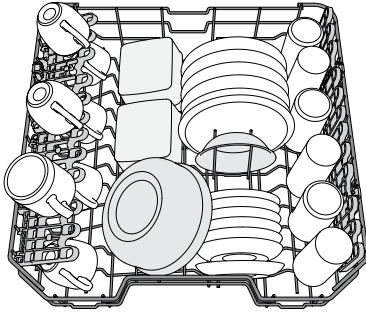
NaturalDry functionality could be disabled by the user as follows:

1. Go to the Dishwasher software menu pressing and holding **P** button (6 sec).
2. You are currently in Light Control Menu (please refer to OPERATION INDICATOR description), if you don't want to change anything please press and hold **P** button (until one of the two letters appears on the display).
3. You switched to NaturalDry Control Menu, you could change status of NaturalDry functionality by pressing **P** button:  
**E** – enabled      **d** – disabled

To confirm the change and exit from the Control Menu please press and hold **P** button (3 sec).

# LOADING THE RACKS

## UPPER RACK



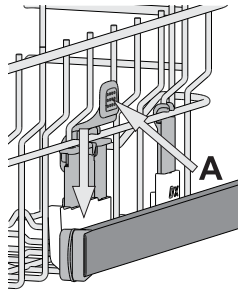
(loading example for the upper rack)

Load delicate and light dishes: glasses, cups, saucers, low salad bowls.

## ADJUSTING THE HEIGHT OF THE UPPER RACK

The height of the upper rack can be adjusted: high position to place bulky crockery in the lower basket and low position to make the most of the tip-up supports by creating more space upwards and avoid collision with the items loaded into lower rack.

The upper rack is equipped with a **Upper Rack height adjuster** (see figure), without pressing the levers, lift it up by simply holding the rack sides, as soon as the rack is stable in its upper position. To restore to the lower position, press the levers **A** at the sides of the rack and move the basket downwards.



**We strongly recommend that you do not adjust the height of the rack when it is loaded.**

**NEVER raise or lower the basket on one side only.**

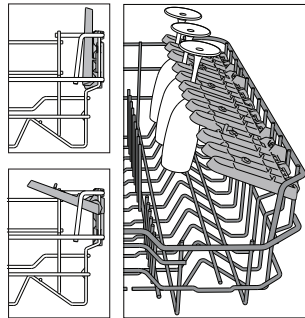
## FOLDABLE FLAPS WITH ADJUSTABLE POSITION

The side foldable flaps can be fold or unfold to optimize the arrangement of crockery inside the rack.

Wine glasses can be placed safely in the foldable flaps by inserting the stem of each glass into the corresponding slots.

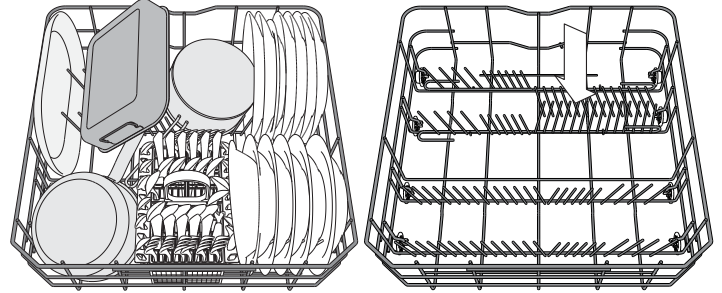
Depending on the model:

- to unfold the flaps there is needed to slide it up and rotate or release it from the snaps and pull it down.
- to fold the flaps there is needed to rotate it and slide flaps down or pull it up and attach flaps to the snaps.



## LOWER RACK

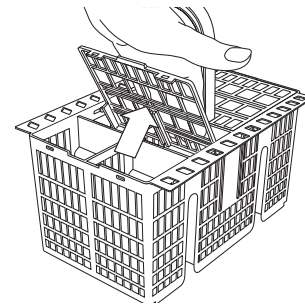
For pots, lids, plates, salad bowls, cutlery etc. Large plates and lids should ideally be placed at the sides to avoid interferences with the spray arm. The lower rack has tip-up supports which can be used in a vertical position when arranging plates or in a horizontal position (lower) to load pans and salad bowls easily.



(loading example for the lower rack)

## CUTLERY BASKET

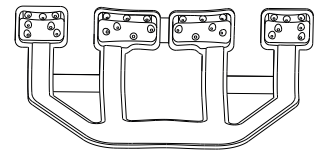
It is fitted with top grids for improved cutlery arrangement. It must only be positioned at the front of the lower rack.



**Knives and other utensils with sharp edges must be placed in the cutlery basket with the points facing downwards or they must be positioned horizontally in the tip-up compartments on the upper rack.**

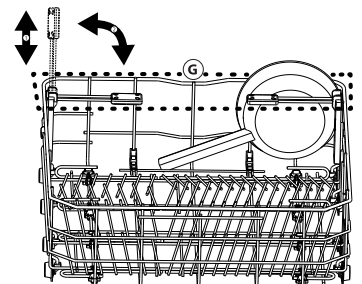
## POWER CLEAN®

Power Clean® uses the special water jets in the rear of cavity to wash more intensively the high dirty items. The lower rack has a Space Zone, a special pull-out support in the rear of the rack that can be used to support frying pans or baking pans in upright position, thus taking up less space. Placing the pots/casseroles faced to the Power Clean® component please activate the **POWER CLEAN®** on the panel.



How to use Power Clean®:

1. Adjust the Power Clean® area **G** folding down the rear plate holders to load pots.
2. Load pots and casseroles inclined vertically in Power Clean® area. Pots have to be inclined towards the power water jets.



# DAILY USE

## 1. CHECK WATER CONNECTION

Check that the dishwasher is connected to the water supply and that the tap is open.

## 2. SWITCH ON THE DISHWASHER

Open the door and press the **ON/OFF** button.

## 3. LOAD THE RACKS (see *LOADING THE RACKS*).

## 4. FILLING THE DETERGENT DISPENSER

## 5. CHOOSE THE PROGRAM AND CUSTOMISE THE CYCLE

Select the most appropriate program in accordance with the type of crockery and its soiling level (see *PROGRAMS DESCRIPTION*) by pressing the **P** button.

Select the desired options (see *OPTIONS AND FUNCTIONS*).

## 6. START

Start the wash cycle by pressing **START/Pause** button (led is lit) and closing the door within 4 sec. When the program starts you hear a single beep. If the door was not closed within 4sec., the alarm sound will be played. In this case, open the door, press **START/Pause** button and close the door again within 4 sec.

## 7. END OF WASH CYCLE

The end of the wash cycle is indicated by beeps and by the flashing of the wash cycle number on the display. Open the door and switch off the appliance by pressing the **ON/OFF** button.

Wait for a few minutes before removing the crockery - to avoid burns. Unload the racks, beginning with the lower one.

**The machine will switch off automatically during certain extended periods of inactivity, in order to minimise electricity consumption. If the crockery is only lightly soiled or if it has been rinsed with water before being placed in the dishwasher, reduce the amount of detergent used accordingly.**

## MODIFYING A RUNNING PROGRAM

If a wrong program was selected, it is possible to change it, provided that it has only just begun: open the door, press and hold the **ON/OFF** button, the machine will switch off.

Switch the machine back on using the **ON/OFF** button and select the new wash cycle and any desired options; Start the wash cycle by pressing **START/Pause** button (led is lit) and closing the door within 4 sec.

## ADDING EXTRA CROCKERY

Without switching off the machine, open the door (**START/Pause** led starts blinking) (**be ware of HOT steam!**) and place the crockery inside the dishwasher. Press the **START/Pause** button and close the door within 4 sec., the cycle will resume from the point at which it was interrupted.

## ACCIDENTAL INTERRUPTIONS

If the door is opened during the wash cycle, or if there is a power cut, the cycle stops. Press the **START/Pause** button and close the door within 4 sec., the cycle will resume from the point at which it was interrupted.

# ADVICE AND TIPS

## TIPS

Before loading the baskets, remove all food residues from the crockery and empty the glasses. **You do not need to rinse beforehand under running water.**

Arrange the crockery so that it is held in place firmly and does not tip over; and arrange the containers with the openings facing downwards and the concave/convex parts placed obliquely, thus allowing the water to reach every surface and flow freely.

**Warning:** lids, handles, trays and frying pans do not prevent the sprayer arms from rotating.

Place any small items in the cutlery basket.

Very soiled dishes and pans should be placed in the lower basket because in this sector the water sprays are stronger and allow a higher washing performance.

After loading the appliance, make sure that the sprayer arms can rotate freely.

## UNSUITABLE CROCKERY

- Wooden crockery and cutlery.
- Delicate decorated glasses, artistic handicraft and antique crockery. Their decorations are not resistant.
- Parts in synthetic material which do not withstand high temperatures.
- Copper and tin crockery.
- Crockery soiled with ash, wax, lubricating grease or ink.

The colours of glass decorations and aluminium/silver pieces can change and fade during the washing process. Some types of glass (e.g. crystal objects) can become opaque after a number of wash cycles too.

## DAMAGE TO GLASS AND CROCKERY

- Only use glasses and porcelain guaranteed by the manufacturer as dishwasher safe.
- Use a delicate detergent suitable for crockery
- Collect glasses and cutlery from the dishwasher as soon as the wash cycle is over.

## TIPS ON ENERGY SAVING

- When the household dishwasher is used according to the manufacturer's instructions, **washing tableware in a dishwasher usually consumes less energy and water than hand dishwashing.**
- In order to maximize dishwasher efficiency it is recommended to **initiate the wash cycle once dishwasher is fully loaded.** Loading the household dishwasher up to the capacity indicated by the manufacturer will contribute to energy and water savings. Information on correct loading of tableware can be found in Loading chapter. In case of partial loading it is recommended to use dedicated wash options if available (Half load/ Zone Wash, Multizone), filling up only selected racks. Incorrect loading or overloading the dishwasher may increase resources usage (such as water, energy and time, as well as increase noise level), reducing cleaning and drying performance.
- Manual pre-rinsing of tableware items leads to increased water and energy consumption and is not recommended.

## HYGIENE

To avoid odour and sediment which can be accumulated in the dishwasher **please run a high temperature program at least one a month.** Use a tea spoon of detergent and run it without the loading to clean your appliance.

# CARE AND MAINTENANCE

## CLEANING THE FILTER ASSEMBLY

Regularly clean the filter assembly so that the filters do not clog and that the waste water flows away correctly.

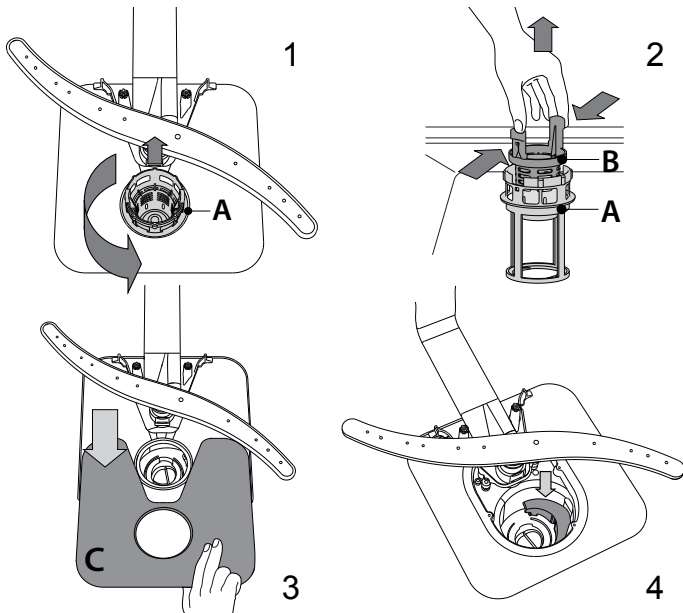
Using dishwasher with clogged filters or foreign objects inside filtration system or sprayarms may cause unit malfunction resulting in lose of performance, noisy work or higher resources usage.

The filter assembly consists of three filters which remove food residues from the washing water and then recirculate the water.

**The dishwasher must not be used without filters or if the filter is loose.**

At least once per month or after each 30 cycles, check the filter assembly and if necessary clean it thoroughly under running water, using a non-metallic brush and following the instructions below:

1. Turn the cylindrical filter **A** in an anti-clockwise direction and pull it out (Fig 1).
2. Remove the cup filter **B** by exerting a slight pressure on the side flaps (Fig 2).
3. Slide out the stainless-steel plate filter **C** (Fig 3).
4. In case you find foreign objects (such as broken glass, porcelain, bones, fruit seeds etc.) **please remove them carefully**.
5. Inspect the trap and remove any food residues. **NEVER REMOVE** the wash-cycle pump protection (black detail) (Fig 4).



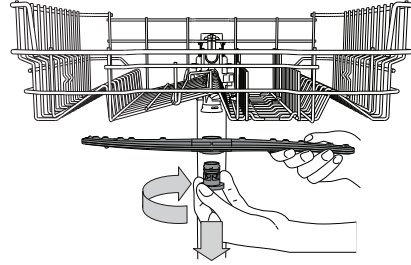
After cleaning the filters, re-place the filter assembly and fix it in position correctly; this is essential for maintaining the efficient operation of the dishwasher.

## CLEANING THE WATER INLET HOSE

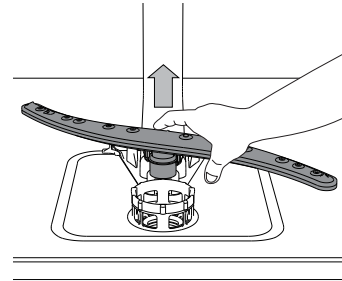
If the water hoses are new or have not been used for an extended period of time, let the water run to make sure it is clear and free of impurities before performing the necessary connections. If this precaution is not taken, the water inlet could become blocked and damage the dishwasher.

## CLEANING THE SPRAY ARMS

On occasions, food residue may become encrusted onto the spray arms and block the holes used to spray the water. It is therefore recommended that you check the arms from time to time and clean them with a small non-metallic brush.



To remove the upper spray arm, turn the plastic locking ring in a clockwise direction. The upper spray arm should be replaced so that the side with the greater number of holes is facing upwards.



The lower spray arm may be removed by pulling it upwards.

## WATER SOFTENING SYSTEM

Water softener automatically reduces water hardness, consequently preventing scale buildup on heater, contributing also to better cleaning efficiency.

**This system regenerates itself with salt, therefore it is required to refill salt container when empty.**



Frequency of regeneration depends on water hardness level setting - regeneration takes place once per **6** Eco cycles with water hardness level set to **3**.

Regeneration process starts in final rinse and finishes in drying phase, before cycle ends.

- Single regeneration consumes: ~3.5L of water;
- Takes up to 5 additional minutes for the cycle;
- Consumes below 0.005kWh of energy.

# TROUBLESHOOTING

In case your dishwasher doesn't work properly, check if the problem can be solved by going through the following list. For other errors or issues please contact authorized After-sales Service which contact details can be found in the warranty booklet. The manufacturer ensures the availability of spare parts for at least 10 years after production date of this appliance.

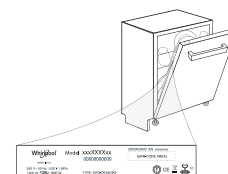
PROBLEMS	POSSIBLE CAUSES	SOLUTIONS
 Salt indicator is lit	Salt reservoir is empty. (After refill the salt indicator may remain lit for several wash cycles).	Refill reservoir with salt (for more information - see page 2). Adjust water hardness - see table, page 2.
 Rinse aid indicator is lit	Rinse aid dispenser is empty. (After refill the rinse aid indicator may remain lit for several wash cycles).	Refill dispenser with rinse aid (for more information - see page 2).
The dishwasher won't start or does not respond to commands.	The appliance has not been plugged in properly.	Insert the plug into the socket.
	Power outage.	For safety reasons, dishwasher will not re-start automatically when power returns. Open dishwasher door, press START/Pause button and close the door within 4 seconds.
	The dishwasher door is not closed. NaturalDry pin is not pulled in.	Vigorously push the door until you hear the "click".
	Cycle is interrupted by door opening for more than 4 seconds.	Press START/Pause and close the door within 4 seconds.
The dishwasher won't drain. Display shows: <b>3</b> and On/Off LED is blinking rapidly	It does not respond to commands. Display shows: <b>9</b> or <b>12</b> and On/Off LED is blinking rapidly	Switch off the appliance by pressing the ON/OFF button, switch it back on after approximately one minute and restart the program. If problem persists, unplug the appliance for 1 minute, then plug it back in.
	The wash cycle has not finished yet.	Wait until the wash cycle finishes.
	The drain hose is bent.	Check that the drain hose is not bent (see <i>INSTALLATION INSTRUCTION</i> ).
	The sink drain pipe is blocked.	Clean the sink drain pipe.
The dishwasher makes excessive noise.	The filter is clogged up with food residues.	Clean the filter (see <i>CLEANING THE FILTER ASSEMBLY</i> ).
	The dishes are rattling against each other. An excessive amount of foam has been produced.	Position the crockery correctly (see <i>LOADING THE RACKS</i> ). The detergent has not been measured out correctly or it is not suitable for use in dishwashers (see <i>FILLING THE DETERGENT DISPENSER</i> ). Restart the current cycle by switching OFF the dishwasher, then switch it on again, select a new program, press START/Pause and close the door within 4 seconds. Please do not add any detergent.
The dishes are not clean.	The crockery has not been arranged properly.	Arrange the crockery correctly (see <i>LOADING THE RACKS</i> ).
	The spray arms cannot rotate freely, being hindered by the dishes.	Arrange the crockery correctly (see <i>LOADING THE RACKS</i> ).
	The wash cycle is too gentle.	Select an appropriate wash cycle (see <i>PROGRAMS TABLE</i> ).
	An excessive amount of foam has been produced.	The detergent has not been measured out correctly or it is not suitable for use in dishwashers (see <i>FILLING THE DETERGENT DISPENSER</i> ).
	The cap on the rinse aid compartment has not been shut correctly.	Make sure the cap of the rinse aid dispenser is closed.
	The filter is soiled or clogged.	Clean the filter assembly (see <i>CARE AND MAINTENANCE</i> ).
	There is no salt.	Fill the salt reservoir (see <i>FILLING THE SALT RESERVOIR</i> ).
The dishwasher does not fill the water. Display shows: <b>H</b> , <b>6</b> and On/Off LED is blinking rapidly	No water in the water supply or the tap is closed.	Make sure there is water in the water supply or the tap running.
	The inlet hose is bent.	Make sure the inlet hose is not bent (see <i>INSTALLATION</i> ) reprogram the dishwasher and reboot.
	The sieve in the water inlet hose is clogged; it is necessary to clean it	After having carried out the verification and cleaning, turn off and turn on the dishwasher and restart a new program.
Dishwasher finishes the cycle prematurely. Display shows: <b>15</b> and On/Off LED is blinking rapidly	Drain hose positioned too low or siphoning into home sewage system.	Check if end of drain hose is placed at correct height (see <i>INSTALLATION</i> ). Check for siphoning into home sewage system, install air admittance valve if necessary.
	Air in water supply.	Check water supply for leaks or other issues letting air inside.



Policy and standard documentation and additional product information can be found by:

- Visiting our website [docs.whirlpool.eu/docs](https://docs.whirlpool.eu/docs) and [parts-selfservice.europeanappliances.com](https://parts-selfservice.europeanappliances.com)
- Using QR Code
- Alternatively, **contact our After-sales Service** (See phone number in the warranty booklet). When contacting our After-sales Service, please state the codes provided on your product's identification plate.

The model information can be retrieved using the QR-Code reported in the energy label. The label also includes the model identifier that can be used to consult the portal of the registry at <https://eprel.ec.europa.eu>



**400011452739B**

12/2024 ks - Xerox Fabriano



# BEDIENUNGSANLEITUNG GUIDE



**DANKE, DASS SIE SICH FÜR EIN WHIRLPOOL PRODUKT ENTSCHEIDEN HABEN.** Für eine umfassendere Unterstützung melden Sie Ihr Gerät bitte an unter: [www.whirlpool.eu/register](http://www.whirlpool.eu/register)

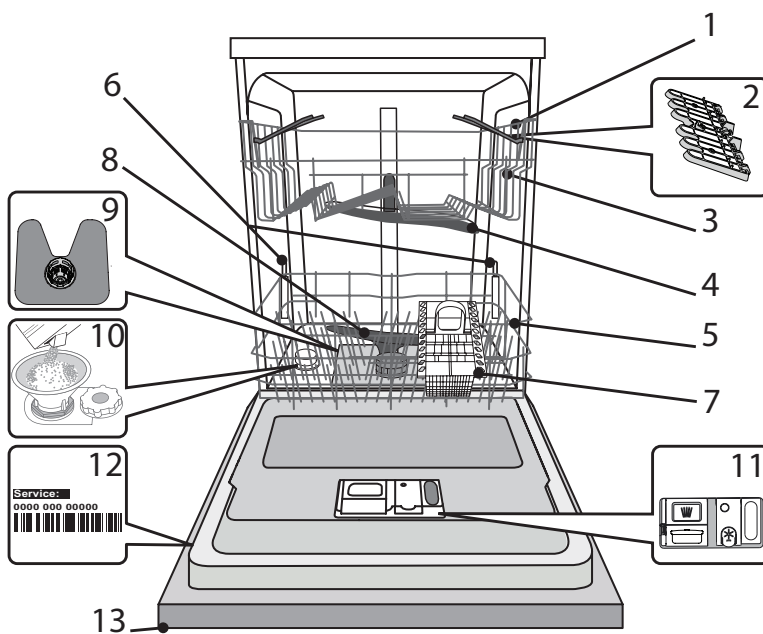


Um die Sicherheitshinweise und die Bedienungsanleitung, herunterzuladen, besuchen Sie unsere Website [docs.whirlpool.eu](http://docs.whirlpool.eu) und befolgen Sie die Anweisungen auf der Rückseite dieser Broschüre.

**Lesen Sie vor Gebrauch des Geräts die Sicherheitshinweise aufmerksam durch.**

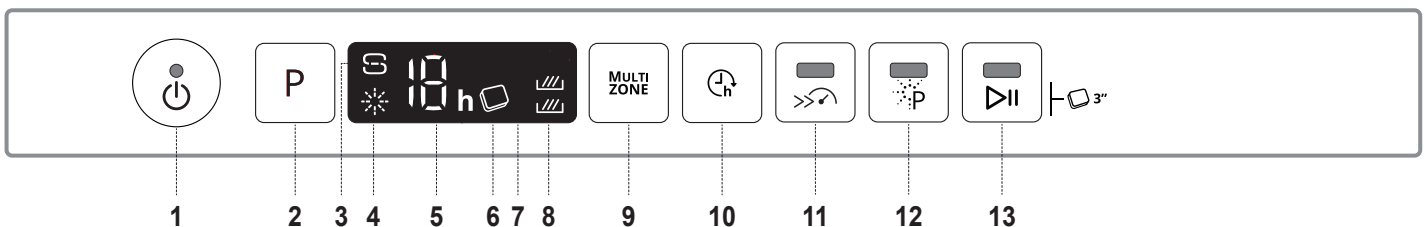
## PRODUKTBESCHREIBUNG

### GERÄT



1. Oberkorb
2. Faltbare Klappen
3. Oberkorb Höhenversteller
4. Oberer Sprüharm
5. Unterkorb
6. PowerClean® Halterungen
7. Besteckkorb
8. Unterer Sprüharm
9. Filtereinheit
10. Salzbehälter
11. Spülmittel und Klarspülerspender
12. Typenschild
13. Bedienfeld

### BEDIENTAFEL



1. Ein-Aus/Reset Taste mit Anzeigelicht
2. Programmwahl-Taste
3. Anzeigelicht zum Salz auffüllen
4. Anzeigelicht zum Klarspüler auffüllen
5. Programmnummer und Verzögerungszeit-Anzeige
6. Tab Anzeigelicht
7. Anzeige
8. Multizone Anzeigelicht
9. Multizone-Taste
10. Startvorwahl-Taste
11. Turbo-Taste mit Anzeigelicht
12. Power Clean®-Taste mit Anzeigelicht
13. Start/Pause Taste mit Anzeigelicht / Tab

# ERSTER GEBRAUCH

## SALZ, KLARSPÜLER UND SPÜLMITTEL


### HINWEISE ZUR ERSTEN INBETRIEBNAHME

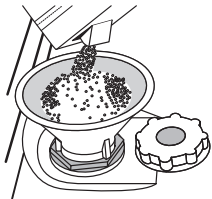
Nach Abschluss der Installation die Puffer an den Körben und die Rückhaltegummis vom oberen Korb entfernen.

### SALZBEHÄLTER BEFÜLLEN

Mit der Verwendung von Salz werden KALKABLAGERUNGEN auf dem Geschirr und den funktionalen Komponenten des Geschirrspülers verhindert.

- **DER SALZBEHÄLTER DARF NIE LEER SEIN!**
- Es ist wichtig, die Wasserhärte einzustellen.

Der Salzbehälter befindet sich im Geschirrspülerboden (siehe *PRODUKTBE-SCHREIBUNG*) und muss aufgefüllt werden, wenn die **SALZNACHFÜLLANZEIGE**  der Bedienblende leuchtet.



1. Ziehen Sie den Unterkorb heraus und schrauben Sie den Salzbehälterdeckel gegen den Uhrzeigersinn ab.
2. **Nur beim ersten Mal: Befüllen Sie den Salzbehälter mit Wasser.**
3. Setzen Sie den Trichter auf (siehe Abbildung) und füllen Sie den Behälter bis zum Rand mit Salz (ca. 1 kg), es ist normal, wenn etwas Wasser ausläuft.
4. Den Trichter abnehmen und die Salzreste vom Öffnungsrand entfernen.

Sicherstellen, dass der Deckel fest angeschraubt ist, so dass kein Spülmittel während dem Waschprogramm in den Behälter gelangt (dies könnte den Wasserenthärter irreparabel beschädigen).

**Immer wenn Sie Salz zugeben müssen, ist es zwingend vorgeschrieben, diesen Vorgang vor dem Beginn des Spülgangs auszuführen, um Korrosion zu vermeiden.**

### WASSERHÄRTE EINSTELLEN

Damit der Wasserenthärter perfekt arbeiten kann, muss die Wasserhärte je nach der aktuellen Wasserhärte in Ihrem Haus eingestellt werden. Diese Information erhalten sie bei Ihrem örtlichen Wasserversorger. Das Werk stellt den Standardwert für die Wasserhärte ein.

- Die Geschirrspülmaschine mit der Taste **EIN/AUS** einschalten.
- Mit der Taste **EIN/AUS** ausschalten.
- Die Taste **P** 5 Sekunden lang gedrückt halten, bis Sie einen Piepton hören.
- Mit der Taste **EIN/AUS** einschalten.
- Die Nummer der aktuell ausgewählten Stufe und die Salznachfüllanzeige blinken.
- Drücken Sie die Taste **P** um die gewünschte Härtestufe auszuwählen (siehe *WASSERHÄRTE-TABELLE*).

Wasserhärte-Tabelle				
Stufe	°dH Deut. Härtegr.	°fH Französischer Härtegr.	°Clark Engl. Härtegr.	
1	Weich	0 - 6	0 - 10	0 - 7
2	Mittel	7 - 11	11 - 20	8 - 14
3	Durchschnittlich	12 - 16	21 - 29	15 - 20
4	Hart	17 - 34	30 - 60	21 - 42
5	Sehr hart	35 - 50	61 - 90	43 - 62

- Mit der Taste **EIN/AUS** ausschalten.

Die Einstellung ist abgeschlossen!

Sobald dieses Verfahren abgeschlossen ist, ein Programm ohne Beladung laufen lassen.


**Verwenden Sie bitte nur Spezzalz für Geschirrspüler.**

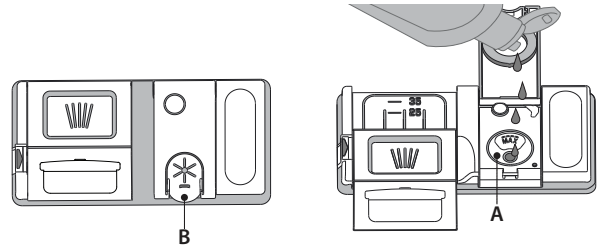
Nach dem Einfüllen des Salzes erlischt die SALZNACHFÜLLANZEIGE.

**Wenn der Salzbehälter nicht gefüllt ist, könnten Kesselsteinablagerungen den Wasserenthärter und das Heizelement beschädigen.**

**Die Verwendung von Salz wird bei jeder Art von Geschirrspülmittel empfohlen.**

### KLARSPÜLERSPENDER AUFFÜLLEN

Klarspüler macht das TROCKNEN von Geschirr einfacher. Der Klarspüler-spender **A** muss aufgefüllt werden, wenn das **KLARSPÜLER AUFFÜLLEN ANZEIGELICHT**  auf der Bedienblende leuchtet.



1. Den Behälter **B** durch Drücken und Anheben der Zunge am Deckel öffnen.
2. Den Klarspüler vorsichtig bis zur maximalen Füllstandsmarkierung (110 ml) an der Füllöffnung einfüllen und ein Überlaufen vermeiden. Andernfalls sofort mit einem trockenen Tuch abwischen.
3. Den Deckel schließen bis er einrastet.

**Füllen Sie den Klarspüler NIEMALS direkt ins Innere des Geschirrspülers.**

### KLARSPÜLERDOSIERUNG

Sollte das Trockenergebnis unzufrieden stellend sein, kann die Klarspülerdosierung neu eingestellt werden.

- Die Geschirrspülmaschine mit der Taste **EIN/AUS** einschalten.
- Mit der Taste **EIN/AUS** ausschalten.
- Drücken Sie die Taste **P** drei Mal - ein Piepton ertönt.
- Mit der Taste **EIN/AUS** einschalten.
- Die Nummer der aktuell ausgewählten Stufe und die Klarspülnachfüllanzeige blinken.
- Drücken Sie die Taste **P**, um den Stand der gelieferten Klarspülermenge auszuwählen.
- Mit der Taste **EIN/AUS** ausschalten.

Die Einstellung ist abgeschlossen!

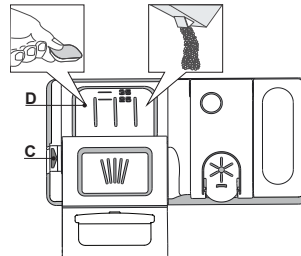
Die Klarspülerstufe kann auf NULL (ECO) eingestellt werden. In diesem Fall wird kein Klarspüler ausgegeben. Die Kontrollleuchte zur ANZEIGE DES FEHLENDEN KLARSPÜLERS leuchtet nicht mehr auf.

Je nach Gerätemodell können bis max. 5 Stufen eingestellt werden. Die Werkseinstellung ist abhängig vom Modell. Bitte befolgen Sie die Anweisungen oben, um dies für Ihr Gerät zu überprüfen.

- Wenn Sie bläuliche Streifen auf dem Geschirr sehen, stellen Sie eine niedrigere Zahl ein (1-2).
- Wenn Wassertropfen oder Kalkablagerungen auf dem Geschirr sind, eine höhere Zahl einstellen (3-4)

### EINFÜLLEN DES SPÜLMITTELS

**Zum Öffnen des Spülmittelbehälters den Öffnungsmechanismus C drücken. Füllen Sie das Spülmittel ausschließlich in das trockene Fach D ein. Die für den Vorspülgang benötigte Spülmittelmenge wird direkt in den Geschirrspüler gegeben.**



1. Hinsichtlich der Dosierung verweisen wir auf die zuvor erwähnte Information, in der die richtige Menge angegeben ist. Im Fach **D** sind Anzeigen die bei der Spülmitteldosierung helfen.
2. Entfernen Sie eventuelle Spülmittelrückstände von den Kanten der Kammern und schließen Sie den Deckel so, dass er einrastet.
3. Schieben Sie den Deckel der Spülmittelkammer zum Schließen nach oben, bis er einrastet.

Die Spülmittelkammer öffnet sich automatisch zum richtigen Zeitpunkt des jeweils gewählten Programms.

Werden Kombispülmittel verwendet, dann empfehlen wir, die Option **TAB** zu verwenden. Damit werden die Programme dem verwendeten Spülmittel angepasst, um das bestmögliche Spülergebnis zu erhalten.

**Die Verwendung von Reinigungsmitteln, die nicht für Geschirrspüler bestimmt sind, kann zu Fehlfunktionen oder Schäden am Gerät führen.**

# PROGRAMMS TABLE

Programm	Trockenphase	NaturalDry	Verfügbare Zusatzfunktionen *)	Programmdauer (Std:Min)**)	Wasserverbrauch (Liter/ Zyklus)	Energieverbrauch (kWh/ Zyklus)	
1. Eco	ECO 50°	✓	✓		3:10	9,5	0,75
2. 6th Sense®	50-60°	✓	✓	MULTI ZONE >>	1:25 - 3:00	7,0 - 14,0	0,90 - 1,40
3. Intensiv	65°	✓	✓	MULTI ZONE >>	2:50	14,0	1,50
4. Schnelles Spülen&Trocknen	50°	✓	✓	MULTI ZONE	1:25	11,5	1,10
5. Kristall	45°	✓	✓	MULTI ZONE	1:40	11,5	1,20
6. Rapid 30'	50°	-	-	MULTI ZONE	0:30	9,0	0,50
7. Nachtspülen	50°	✓	✓		3:30	15,0	1,15
8. Desinfizieren	65°	✓	-		1:40	10,0	1,30
9. Vorwäsche	-	-	-	MULTI ZONE	0:12	4,5	0,01
10. Selbstreinigend	65°	-	-		0:50	8,0	0,85

Die ECO-Programmdaten sind Labormessdaten, die gemäß der europäischen Vorschrift EN 60436:2020 erfasst wurden.

Hinweis für die Prüflabors: Informationen hinsichtlich der Bedingungen des EN-Vergleichstests sind unter nachfolgender Adresse anzufordern:

[dw\\_test\\_support@europeanappliances.com](mailto:dw_test_support@europeanappliances.com)

Eine Vorbehandlung des Geschirrs ist vor keinem Programm erforderlich.

\*) Nicht alle Optionen können gleichzeitig verwendet werden.

\*\*) Werte, die für andere Programme als das ECO-Programm angegeben werden, sind nur Richtwerte. Die aktuelle Zeit kann auf Grundlage von mehreren Faktoren, wie Temperatur und Druck des eintretenden Wassers, Raumtemperatur, Spülmittelmenge, Menge und Art der Beladung, Lastausgleich, zusätzlich gewählte Optionen und Sensoreichung variieren. Die Sensoreichung kann die Programmdauer bis zu 20 Min. erhöhen.

## PROGRAMMBESCHREIBUNG

### Anweisungen bezüglich der Auswahl des Waschzyklus.

#### 1 ECO

Das ECO-Programm eignet sich, um normal verschmutztes Geschirr zu reinigen. In Bezug auf den kombinierten Energie- und Wasserverbrauch ist es das effizienteste Programm, das auch zur Prüfung der Einhaltung der Ökodesign-Richtlinie verwendet wird.

#### 2 6th SENSE®

Für normal verschmutztes Geschirr mit trockenen Speiseresten. Erfasst den Grad der Verschmutzung auf dem Geschirr und passt das Programm entsprechend an. Wenn der Sensor den Grad der Verschmutzung erfasst, wird im Display eine Animation angezeigt und die Programmdauer wird aktualisiert.

#### 3 INTENSIV

Programm empfohlen für stark verschmutztes Geschirr, besonders Töpfe und Pfannen (nicht für empfindliche Teile verwenden).

#### 4 SCHNELLES SPÜLEN&TROCKNEN

Normal verschmutztes Geschirr. Täglicher Zyklus, der optimale Reinigungs- und Trockenleistung in kürzester Zeit garantiert.

#### 5 KRISTALL

Programm für empfindliches Geschirr, das empfindlicher auf hohe Temperaturen ist, zum Beispiel Gläser und Becher.

#### 6 RAPID 30'

Programm für halbe Beladung von leicht verschmutztem Geschirr ohne getrocknete Speisereste. Hat keine Trocknungsphase.

#### 7 NACHTSPÜLEN

Geeignet für den Nachtbetrieb des Gerätes. Garantiert optimale Reinigungs- und Trockenleistung bei niedrigstem Lärmpegel.

#### 8 DESINFIZIEREN

Normal oder stark verschmutztes Geschirr mit zusätzlichem antibakteriellen Spülgang. Kann für die Wartung des Geschirrspülers verwendet werden.

#### 9 VORWÄSCHE

Verwendet, um Geschirr einzuweichen, das später gespült werden soll. Für dieses Programm wird kein Spülmittel verwendet.

#### 10 SELBSTREINIGEND

Programm, das für die Pflege des Geschirrspülers zu verwenden ist. Es ist nur bei LEEREM Geschirrspüler und mit speziellen Reinigungsmitteln für die Pflege des Geschirrspülers auszuführen.

#### Notes:

Bitte beachten Sie, dass das Programm Rapid 30' für leicht verschmutztes Geschirr geeignet ist.

# OPTIONEN UND FUNKTIONEN

OPTIONEN kann direkt durch Drücken der entsprechenden Taste ausgewählt werden (siehe *BEDIENBLENDE*).

**Wenn eine Option nicht mit dem ausgewählten Programm kompatibel ist (siehe *PROGRAMMTABELLE*), blinken die entsprechenden LED 3 Mal schnell und ein Piepton ertönt. Die Option wird nicht aktiviert.**

## MULTI MULTIZONE

**ZONE** Haben Sie nur wenig Geschirr zu spülen, wählen Sie den Spülgang Halbe Füllung. Sie sparen Wasser, Strom und Spülmittel.

Wählen Sie das Programm und drücken Sie dann die Taste **MULTIZONE**: das Symbol des gewählten Korbes erscheint auf dem Display. Standardmäßig wäscht das Gerät das Geschirr in allen Körben.

Drücken Sie diese Taste wiederholt, um nur einen bestimmten Korb zu spülen:



gezeigt auf dem Display (nur Unterkorb)



gezeigt auf dem Display (nur Oberkorb)



gezeigt auf dem Display (Option ist AUS und das Gerät wäscht Geschirr in allen Körben).

**Denken Sie daran, nur den Ober- oder Unterkorb zu füllen, und die Menge an Spülmittel entsprechend zu reduzieren.**

**Wenn der oberen Korb herausgenommen wird, gießen Sie das Reinigungsmittel bitte direkt in die Wanne statt in den Waschmittelpender..**



## STARTVORWAHL

Die Programmstartzeit kann um eine Zeit von 1 bis 12 Stunden verzögert werden.

1. Drücken Sie die Taste **STARTVERZÖGERUNG**: Das entsprechende Symbol «h» erscheint auf dem Display; bei jedem Drücken der Taste, erhöht sich die Zeit (1 Std., 2 Std., usw. bis zu max. 12 Std.) ab dem Start des ausgewählten Spülprogramms.
2. Wählen Sie das Waschprogramm, drücken Sie die Taste **START/Pause-Taste** und schließen Sie die Tür innerhalb von 4 Sekunden: die Zeitschaltuhr beginnt mit der Rückzählung.
3. Nach Ablauf dieser Zeit, schaltet sich das Anzeigelicht «h» aus und das Programm beginnt automatisch.

Um die Startverzögerung anzupassen und eine kürzere Dauer auszuwählen, die Taste **STARTVERZÖGERUNG** drücken. Um abzubrechen, die Taste wiederholt drücken, bis das ausgewählte Startverzögerung-Anzeigelicht «h» aus geht. Das Spülprogramm startet automatisch sobald die Tür geschlossen wird.

**Bei bereits in Gang gesetztem Programm ist eine Startzeitvorwahl nicht mehr möglich.**



## TURBO

Diese Option kann verwendet werden um die Dauer der Hauptprogramme zu reduzieren, unter Beibehaltung derselben Spül- und Trockenleistungsgrade.

Nach der Auswahl des Programms, drücken Sie die **TURBO-Taste** und das Anzeigelicht leuchtet auf. Durch erneuten Druck auf die Taste wird die Option deaktiviert.



## POWER CLEAN®

Mit den zusätzlichen Powerdüsen bietet diese Option im dafür vorgesehenen Bereich im Unterkorb einen intensiveren und stärkeren Spülvorgang. Diese Zusatzfunktion ist ideal zum Reinigen von Töpfen und Brätern. Drücken Sie diese Taste, um Power Clean zu aktivieren (die Anzeige leuchtet auf).



## TAB

Diese Einstellung erlaubt, die Spülleistung des Programms je nach verwendetem Spülmitteltyp zu optimieren.

Drücken Sie die **Start/Pause-Taste** 3 Sekunden lang (das entsprechende Symbol leuchtet), wenn Sie kombinierte Spülmittel in Tablettenform verwenden (Klarspüler, Regeneriersalz und Spülmittel in 1 Dosierung).

**Wenn Sie Pulver oder Flüssigspülmittel verwenden, muss diese Option ausgeschaltet sein.**



## BETRIEBSANZEIGE

Eine auf den Boden projizierte LED zeigt an, dass der Geschirrspüler in Betrieb ist. Eine der folgenden Betriebsarten kann ausgewählt werden:

- a) Deaktivierte Funktion
- b) Wenn das Programm startet schaltet sich das Licht für einige Sekunden an, bleibt während dem Programm ausgeschaltet und blinkt zu Programmende.
- c) Das Licht bleibt während dem Programm an und blinkt zu Programmende (Standardeinstellung).

Wenn der verzögerte Start ausgewählt wurde, schaltet sich das Licht entweder die ersten paar Sekunden an oder bleibt während der gesamten Dauer der Rückzählung an, je nachdem ob b) oder c) eingestellt wurde.

Das Licht geht aus, sobald die Tür geöffnet wird. Um die bevorzugte Betriebsart auszuwählen, die Maschine einschalten, die Taste **P** gedrückt halten, bis einer der drei Buchstaben auf dem Display erscheint, die Taste **P** drücken, bis der gewünschte Buchstabe (oder Betriebsweise) erreicht ist, die Taste **P** gedrückt halten, um die Auswahl zu bestätigen.

**Hinweis: Wenn NaturalDry aktiv ist und die Tür öffnet, blinkt die Betriebsanzeige bei Ende des Spülgangs nicht.**

## NaturalDry

*NaturalDry* ist ein Heißlufttrocknungssystem, das die Tür während/nach der Trockenphase automatisch öffnet, um täglich hervorragende Trockenleistung sicherzustellen. Die Tür öffnet sich bei einer für Ihre Küchenmöbel sicheren Temperatur, daher wird die Tür nicht geöffnet, wenn die Option **TURBO** eingeschaltet ist.

Als zusätzlicher Dampfschutz wird dem Geschirrspüler eine speziell entwickelte Schutzfolie beigelegt. Für die Montage der Schutzfolie siehe (*INSTALLATIONSANLEITUNG*).

Die *NaturalDry*-Funktion könnte wie folgt durch den Benutzer deaktiviert werden:

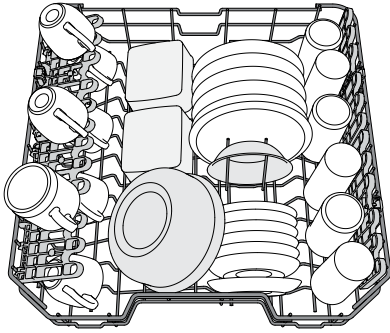
1. Rufen Sie das Geschirrspüler-Softwaremenü durch Drücken und Halten der Taste "**P**" auf (6 Sek.).
2. Sie befinden sich derzeit im Menü der Lichtsteuerung (siehe Beschreibung *BETRIEBSANZEIGE*). Wenn Sie nichts ändern möchten, drücken und halten Sie die Taste "**P**" (bis einer der beiden Buchstaben auf dem Display erscheint).
3. Sie haben auf das Menü *NaturalDry*-Steuerung umgeschaltet. Sie können nun durch Drücken der Taste "**P**" den Status der *NaturalDry*-Funktion ändern:

**E** – aktiv                      **d** – nicht aktiv

Zum Bestätigen der Änderung und Verlassen des Steuermenüs drücken und halten Sie die Taste "**P**" (3 Sek.).

# KÖRBE BELADEN

## OBERKORB



(Sortierbeispiel für den Oberkorb)

Hier sortieren Sie empfindliches und leichtes Geschirr ein: Gläser, Tassen, kleine Teller, flache Schüsseln.

## HÖHENEINSTELLUNG DES OBERKORBES

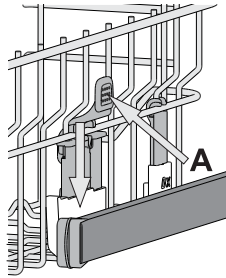
Der Oberkorb kann in der Höhe verstellt werden: stellen Sie ihn in die oberste Position, wenn Sie großes Geschirr in den Unterkorb einräumen wollen. Wenn Sie eher die klappbaren Bereiche nutzen wollen, dann stellen Sie ihn in die untere Position. Somit vermeiden Sie Zusammenstoßen mit dem Geschirr im Unterkorb. Der Oberkorb ist mit einem **Oberkorb Höhenversteller** (siehe Abbildung) ausgestattet.

Ohne Drücken der Hebel kann er einfach durch Heben der Korbseiten angehoben werden, sobald der Korb stabil in seiner unteren Stellung ist.

Um den Korb zurück in die untere Stellung zu bringen, drücken Sie die Hebel **A** an den Seiten des Korbs und schieben Sie ihn nach unten.

**Es empfiehlt sich, die Höhe des Oberkorbes bei leerem Korb zu regulieren.**

**Heben oder senken Sie den Korb NIEMALS nur an einer Seite.**

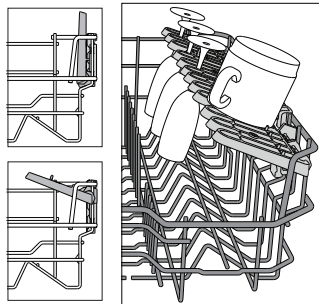


## KLAPPBARE KLAPPEN MIT VERSTELLBARER POSITION

Die seitlich, klappbaren Ablagen können ein- oder aufgeklappt werden, um die Anordnung des Geschirrs im Korb zu optimieren. Stielgläser können an den Ablagen stabilisiert werden, indem sie mit dem Stiel in die vorgesehene Aussparung gestellt werden.

Je nach Modell:

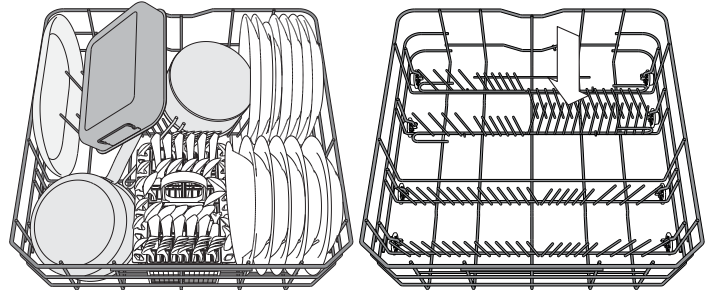
- Zum Ausklappen der Ablagen, müssen diese nach oben geschoben und gedreht oder aus den Schnappern gelöst und nach unten gezogen werden.
- Zum Einklappen der Ablagen, müssen diese gedreht und nach unten geschoben oder nach oben gezogen und an den Schnappern befestigt werden.



## UNTERKORB

Für Töpfe, Deckel, Teller, Salatschüsseln, Besteck usw. Große Teller und Deckel sollten idealerweise an die Seiten gelegt werden, um nicht mit dem Sprüharm in Kontakt zu kommen.

Der Unterkorb verfügt über klappbare Ablagen, die in vertikaler Stellung für Teller oder in horizontaler (niedriger) Position für Pfannen und Salatschüsseln verwendet werden können.

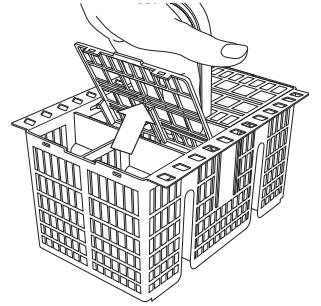


(Sortierbeispiel für den Unterkorb)

## BESTECKKORB

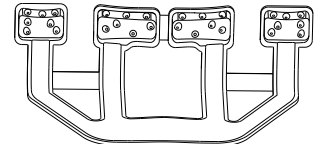
Er ist oben mit Gittern versehen, um das Besteck besser einzuordnen. Er darf nur im vorderen Teil des unteren Korbes eingesetzt werden.

**Messer und andere Küchenutensilien mit scharfen Spitzen sind mit nach unten gerichteten Spitzen in den Besteckkorb einzuordnen oder waagrecht auf die Ablagen des oberen Geschirrkorbs zu legen.**



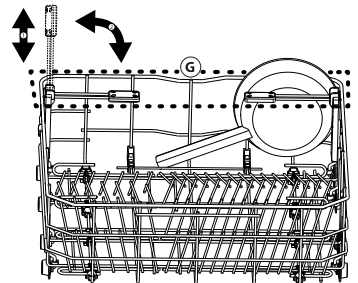
## POWER CLEAN IM UNTERKORB®

Bei Power Clean® sorgen spezielle Wasserdüsen hinten im Gerät für eine verstärkte Reinigung von stark verschmutztem Geschirr. Der Unterkorb hat eine Raumzone, eine spezielle Halterung zum Herausziehen an der Korbhinterseite, welche benutzt werden kann um Pfannen oder Backbleche in senkrechter Position zu halten, und so weniger Raum zu beanspruchen. Wenn die Töpfe/Bräter in Richtung Power Clean® eingelegt werden, bitte **POWER CLEAN** auf der Bedienblende aktivieren.



Verwendung von Power Clean®:

1. Passen Sie Power Clean®-Bereich G an, indem Sie die hinteren Tellerhalterungen herunterklappen, um Töpfe einzuladen.
2. Laden Sie Töpfe und Bräter senkrecht im Power Clean®-Bereich ein. Die Töpfe müssen mit der offenen Seite zu den Power-Sprühdüsen geneigt sein.



# TÄGLICHER GEBRAUCH

## 1. ANSCHLUSS AN DIE WASSERLEITUNG PRÜFEN

Sicherstellen, dass der Geschirrspüler an die Wasserleitung angeschlossen und der Wasserhahn auf ist.

## 2. SCHALTEN SIE DEN GESCHIRRSPÜLER EIN

Tür öffnen und **EIN-/AUS**-Taste drücken.

## 3. KÖRBE BELADEN

(siehe **KÖRBE BELADEN**)

## 4. EINFÜLLEN DES SPÜLMITTELS

## 5. PROGRAMM WÄHLEN UND DAS PROGRAMM ANPASSEN

Das am besten geeignete Programm je nach Besteckart und Verschmutzungsgrad auswählen (siehe **PROGRAMMBESCHREIBUNG**) durch Drücken der Taste **P**. Die gewünschten Optionen auswählen (siehe **OPTIONEN UND FUNKTIONEN**).

## 6. START

Starten Sie das Spülprogramm mit der Taste **START/Pause** (LED leuchtet) und schließen Sie die Tür innerhalb von 4 Sek. Bei Programmstart ertönt ein einzelner Piepton. Wenn die Tür nicht innerhalb von 4 Sek. geschlossen wurde, ertönt der akustische Alarm. Öffnen Sie in diesem Fall die Tür, drücken Sie die Taste **START/Pause** und schließen Sie die Tür erneut innerhalb von 4 Sekunden.

## 7. ENDE DES SPÜLPROGRAMMS

Das Ende des Spülvorgangs wird durch Pieptöne und das Blinken der Programmnummer auf dem Display angezeigt. Die Tür öffnen und das Gerät mit der **EIN/AUS**-Taste ausschalten.

Vor Entnahme des Bestecks einige Minuten warten - um Verbrennungen zu vermeiden. Die Körbe entladen, mit dem Unteren beginnen.

Die Maschine schaltet sich automatisch während bestimmter überschrittener Zeiten der Inaktivität aus, um den Stromverbrauch zu reduzieren. Für nur leicht verschmutztes Geschirr, oder für Geschirr, das vorher unter laufendem Wasser abgespült wurde, kann die Spülmittelmenge erheblich reduziert werden.

## EIN LAUFENDES PROGRAMM ÄNDERN

Wenn ein falsches Programm ausgewählt wurde, kann es geändert werden, wenn es gerade erst gestartet wurde: die Tür öffnen, die **EIN-/AUS**-Taste drücken und gedrückt halten, um die Maschine auszuschalten.

Die Maschine mit der **EIN-/AUS**-Taste wieder einschalten und das neue Spülprogramm und die gewünschten Optionen auswählen; das Spülprogramm durch Drücken der Taste **START/Pause** starten und innerhalb von 4 Sek. die Tür schließen.

## HINZUFÜGEN VON WEITEREM GESCHIRR

Ohne die Maschine auszuschalten, die Tür öffnen (**START/Pause** LED beginnt zu blinken) (**Vorsicht HEISSER Dampf!**) und das Geschirr in den Geschirrspüler geben. Die Taste **START/Pause** drücken und innerhalb von 4 Sek. die Tür schließen; das Programm läuft automatisch weiter, wo es unterbrochen wurde.

## VERSEHENTLICHE UNTERBRECHUNGEN

Wird während des Spülgangs die Gerätetür geöffnet, oder sollte ein Stromausfall stattfinden, wird der Spülgang unterbrochen. Damit das Programm wieder an dem Punkt startet, an dem es unterbrochen wurde, die Taste **START/Pause** drücken und innerhalb von 4 Sek. die Tür schließen.

# HINWEISE UND TIPPS

## EMPFEHLUNGEN

Bevor Sie das Geschirr in den Geschirrspüler einräumen, befreien Sie es von Speiserückständen und entleeren Sie Gläser und Behälter von Flüssigkeitseresten. **Es ist nicht notwendig, das Geschirr unter fließendem Wasser vorzuspülen.**

Stellen Sie das Geschirr so ein, dass es fest steht und nicht umfallen kann. Behälter müssen mit der Öffnung nach unten eingestellt werden und hohle oder gewölbte Teile müssen schräg stehen, damit das Wasser alle Oberflächen erreicht und dann abfließen kann.

**Achtung :** Achten Sie darauf, dass Deckel, Griffe, Töpfe und Tablett die Drehung der Sprüharme nicht behindern. Stellen Sie kleine Gegenstände in den Besteckkorb. Stark verschmutztes Geschirr und Töpfe sollten in dem Unterkorb untergebracht werden, da in diesem Bereich die Wasserstrahlen stärker sind und eine höhere Spüleleistung garantieren. Stellen Sie nach Einräumen des Geschirrs sicher, dass sich die Sprüharme frei bewegen können.

## UNGEEIGNETES GESCHIRR

- Besteck und Geschirr aus Holz.
- Empfindliche Dekorgläser, handgemachte Teller und antikes Geschirr. Die Dekore sind nicht spülmaschinenfest.
- Nicht temperaturbeständige Kunststoffteile.
- Geschirr aus Kupfer und Zinn.
- Mit Asche, Wachs, Schmieröl oder Tinte verschmutztes Geschirr. Glasdekore, Aluminium- und Silberteile können während des Spülgangs die Farbe verändern und ausbleichen. Auch einige Glasarten (z.B. Kristallgegenstände) können nach mehreren Spülgängen matt werden.

## SCHÄDEN AN GLAS UND GESCHIRR

- Spülen Sie nur Gläser und Geschirr in Ihrem Geschirrspüler, die vom Hersteller als spülmaschinenfest ausgezeichnet sind.
- Verwenden Sie ein Feinspülmittel für Geschirr.
- Nehmen Sie Gläser und Besteck so bald wie möglich nach Ablauf des Programms aus der Spülmaschine.

## ENERGIESPARTIPPS

- Sofern man die Herstelleranweisungen beim Einsatz beachtet, **verbraucht das Waschen von Geschirr im Geschirrspüler in der Regel WENIGER ENERGIE und Wasser als Handspülen.**
- Um die Effizienz des Geschirrspülers zu maximieren, empfiehlt es sich, **das Spülprogramm bei voll beladenem Gerät zu starten.** Wenn der Geschirrspüler bis zur vom Hersteller angegebenen Kapazität beladen wird, hilft dies, Energie und Wasser zu sparen. Angaben über die korrekte Beladung von Geschirr finden Sie im Kapitel **BELADEN DER KÖRBE**. Bei Teilbeladung empfiehlt es sich, die speziellen Spülprogramme (Halbe Beladung / Zone Wash / Multizone) zu verwenden und nur die entsprechenden Körbe zu beladen. Bei einer fehlerhaften Beladung oder Überladung des Geschirrspülers könnten mehr Ressourcen verbraucht (z. B. Wasser, Energie und Zeit), der Geräuschpegel erhöht und die Reinigungs- und Trocknungsleistung verringert werden.
- Das manuelle Vorspülen von Geschirr führt zu erhöhtem Wasser- und Energieverbrauch und wird nicht empfohlen.

## HYGIENE

Um Gerüche und Ablagerung, die sich in dem Geschirrspüler ansetzen können zu vermeiden, **bitte mindestens einmal monatlich ein Hochtemperaturprogramm laufen lassen.** Einen Teelöffel Spülmittel verwenden und ohne Geschirr laufen lassen, um Ihr Gerät zu reinigen.

# PFLEGE UND WARTUNG

## REINIGUNG DER FILTEREINHEIT

Die Filtereinheit regelmäßig reinigen, damit die Filter nicht verstopfen und das Abwasser korrekt abfließen kann.

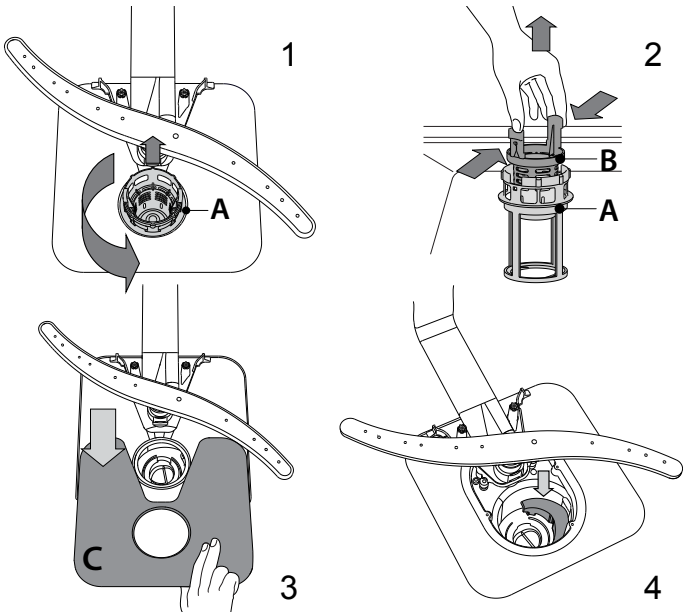
Wenn die Filter beim Einsatz des Geschirrspülers verstopft sind oder falls Fremdkörper im Filtersystem oder in den Spülarmen gelangen, könnten Störungen im Gerät auftreten, was zu Leistungseinbußen, lautem Betrieb oder höherer Ressourcennutzung führt.

Die Filtereinheit setzt sich aus drei Filtern zusammen, die Spülwasser reinigen, von Speiseresten befreien und wieder in Umlauf bringen.

**Der Geschirrspüler darf nie ohne Filtersiebe oder mit ausgehängten Filtern in Betrieb genommen werden.**

Kontrollieren Sie einmal monatlich oder nach 30 Zyklen die Filtersiebgruppe. Bei Bedarf ist diese sorgfältig unter laufendem Wasser auszuspülen. Nehmen Sie hierzu ein kleines Bürstchen (das nicht aus Metall sein darf) zu Hilfe. Gehen Sie wie folgt vor:

1. Drehen Sie das zylinderförmige Filtersieb **A** gegen den Uhrzeigersinn heraus (Abb. 1).
2. Ziehen Sie den Siebbecher **B** durch leichten Druck auf die seitlichen Flügel heraus (Abb. 2).
3. Nehmen Sie den Stahl-Siebteller **C** ab (Abb. 3).
4. Falls Sie Fremdkörper (wie Glasscherben, Porzellan, Knochen, Früchtsamen usw.) finden, **entfernen Sie diese bitte sorgfältig**.
5. Kontrollieren Sie den Hohlraum und befreien Sie diesen von eventuellen Speiseresten. Das Spülpumpenschutzteil (schwarzes Teil) **NICHT ABGENOMMEN WERDEN** (Abb. 4).



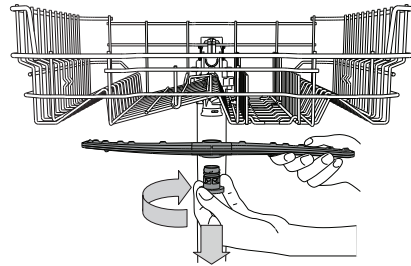
Setzen Sie die Filtereinheit nach der Reinigung der Filtersiebe wieder korrekt in ihren Sitz ein, dies ist äußerst wichtig, um eine ordnungsgemäße Betriebsweise des Geschirrspülers zu gewährleisten.

## WASSERZULAUFSCHLAUCH REINIGEN

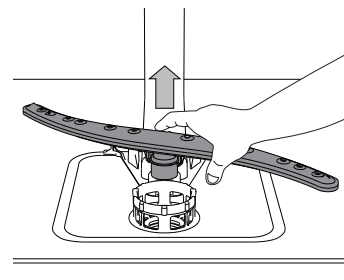
Wenn der Wasserschlauch neu ist oder für längere Zeit nicht in Betrieb war, das Warmwasser laufen lassen, um sicherzustellen, dass es klar und frei von Verschmutzungen ist, bevor die erforderlichen Anschlüsse vorgenommen werden. Bei Nichtbeachtung dieser Vorsichtsmaßnahme, kann die Wasserzufuhr blockieren und den Geschirrspüler beschädigen.

## REINIGUNG DER SPRÜHARME

Es kann vorkommen, dass Speisereste an den Sprüharmen hängen bleiben und die Wasserdüsen verstopfen. Prüfen Sie die Sprüharme daher regelmäßig und reinigen Sie sie bei Bedarf mit einer Kunststoffbürste.



Zur Abnahme des oberen Sprüharme drehen Sie den Kunststoffring im Uhrzeigersinn ab. Der obere Sprüharm ist mit jener Seite nach oben wieder einzusetzen, die die meisten Löcher aufweist.



Um den unteren Sprüharm abzunehmen, ihn nach oben ziehen.

## WASSERENTHÄRTUNG

Der Wasserenthärter reduziert automatisch die Wasserhärte, verhindert Kesselsteinablagerungen am Heizelement und trägt somit zu einer höheren Reinigungsleistung bei.

**Dieses System regeneriert sich mit Salz, daher ist es erforderlich, Salz in den Behälter zu füllen, wenn dieser leer ist.**

Die Regenerierungshäufigkeit hängt von eingestellter Stufe für die Wasserhärte ab - die Regenerierung findet einmal alle 6 Eco-Zyklen bei Wasserhärte auf 3 statt.

Der Regenerationsprozess beginnt in der Endspülung und endet in der Trocknungsphase, bevor der Zyklus endet.

- Eine einzelne Regeneration verbraucht: ~3,5 l Wasser;
- Das Programm dauert bis zu 5 Minuten länger;
- Energieverbrauch unter 0,005 kWh.

# LÖSEN VON PROBLEMEN

Falls Ihr Geschirrspüler nicht richtig funktioniert, versuchen Sie, das Problem anhand der folgenden Liste zu beheben. Für andere Fehler oder Probleme wenden Sie sich bitte an den autorisierten Kundendienst, dessen Kontaktdaten im Garantieheft aufgeführt sind. Ersatzteile werden für einen Zeitraum von entweder bis zu 7 oder bis zu 10 Jahren verfügbar sein, je nach den spezifischen Anforderungen der Verordnung.

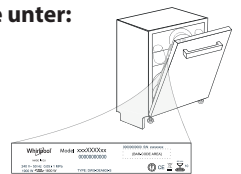
STÖRUNGEN	MÖGLICHE URSACHEN	LÖSUNG
Salzanzeige leuchtet	Salzbehälter leer. (Es kann nach dem Auffüllen einige Spülvorgänge dauern, bis die Salzanzeige erlischt).	Befüllen Sie den Behälter mit Salz (weitere Informationen – siehe Seite 2). Stellen Sie die Wasserhärte ein – siehe Tabelle, Seite 2.
Klarspüleranzeige leuchtet	Klarspülbehälter leer. (Es kann nach dem Auffüllen einige Spülvorgänge dauern, bis die Klarspüleranzeige erlischt).	Befüllen Sie den Behälter mit Klarspüler (weitere Informationen – siehe Seite 2).
Die Spülmaschine startet nicht oder reagiert nicht auf die Bedienungseingaben.	Das Gerät wurde nicht richtig eingesteckt.	Schließen Sie den Netzstecker an.
	Stromausfall.	Aus Sicherheitsgründen wird die Spülmaschine nicht automatisch neu gestartet, wenn die Stromversorgung wiederhergestellt wird. Öffnen Sie die Tür des Geschirrspülers, drücken Sie die Taste START/Pause und schließen Sie die Tür erneut innerhalb von 4 Sekunden.
	Die Gerätetür schließt nicht. NaturalDry Pin ist nicht eingezogen.	Drücken Sie die Tür energisch, bis ein „Klicklaut“ zu hören ist.
	Der Spülgang wird durch Öffnen der Tür für > 4 Sekunden unterbrochen.	Drücken Sie die Taste START/Pause und schließen Sie die Tür erneut innerhalb von 4 Sekunden.
Das Gerät reagiert nicht auf Bedienungseingaben. Das Display zeigt: <b>9</b> oder <b>12</b> und die LED EIN/AUS blinken rasch.	Das Gerät reagiert nicht auf Bedienungseingaben. Das Display zeigt: <b>9</b> oder <b>12</b> und die LED EIN/AUS blinken rasch.	Schalten Sie das Gerät durch das Drücken der <b>EIN/AUS</b> -Taste aus und nach etwa einer Minute wieder ein und starten Sie das Programm neu. Wenn das Problem weiterhin besteht, ziehen Sie den Stecker des Geräts für 1 Minute ab und stecken Sie ihn dann wieder ein.
	Das Spülprogramm ist noch nicht ganz abgelaufen.	Warten Sie, bis das Programm beendet ist.
Der Geschirrspüler pumpt das Wasser nicht ab. Das Display zeigt: <b>3</b> und die LED EIN/AUS blinken rasch.	Der Ablaufschlauch ist geknickt.	Prüfen Sie, dass der Ablaufschlauch nicht geknickt ist ( <i>siehe INSTALLATIONSANWEISUNGEN</i> ).
	Der Ablauf des Spülbeckens ist verstopft.	Den Ablauf des Spülbeckens reinigen.
	Im Filtersieb haben sich Speisereste angesammelt.	Den Filter reinigen ( <i>siehe REINIGUNG DER FILTEREINHEIT</i> ).
Der Geschirrspüler ist zu laut.	Das Geschirr schlägt aneinander.	Positionieren Sie das Geschirr korrekt ( <i>siehe KÖRBE BELADEN</i> ).
	Es hat sich zu viel Schaum gebildet.	Das Spülmittel wurde nicht richtig dosiert oder ist für Geschirrspüler ungeeignet ( <i>siehe EINFÜLLEN DES SPÜLMITTELS</i> ). Starten Sie das laufende Programm durch Ausschalten des Geschirrspülers neu. Schalten Sie das Gerät wieder ein, wählen Sie ein neues Programm, drücken Sie START/Pause und schließen Sie die Tür innerhalb von 4 Sekunden. Kein Spülmittel zufügen.
Das Geschirr ist nicht sauber geworden.	Das Geschirr wurde nicht korrekt eingeräumt.	Positionieren Sie das Geschirr korrekt ( <i>siehe KÖRBE BELADEN</i> ).
	Die Sprüharme können nicht frei drehen, werden durch das Geschirr blockiert.	Positionieren Sie das Geschirr korrekt ( <i>siehe KÖRBE BELADEN</i> ).
	Das Spülprogramm ist zu schwach.	Ein geeignetes Spülprogramm wählen ( <i>siehe PROGRAMMTABELLE</i> ).
	Es hat sich zu viel Schaum gebildet.	Das Spülmittel wurde nicht richtig dosiert oder ist für Geschirrspüler ungeeignet ( <i>siehe EINFÜLLEN DES SPÜLMITTELS</i> ).
	Der Stöpsel des Klarspülerbehälters wurde nicht korrekt geschlossen.	Sicherstellen, dass der Stöpsel des Klarspülerbehälters geschlossen ist.
	Das Filtersieb ist schmutzig oder verstopft.	Die Filtereinheit reinigen ( <i>siehe PFLEGE UND WARTUNG</i> ).
Der Geschirrspüler lädt kein Wasser. Das Display zeigt: <b>H</b> , <b>6</b> und die LED EIN/AUS blinken rasch.	Fehlendes Regeneriersalz.	Füllen Sie den Salzbehälter ( <i>siehe SALZBEHÄLTER BEFÜLLEN</i> ).
	Kein Wasser im Wassernetz oder zugezogener Wasserhahn.	Sicherstellen, dass Wasser im Wassernetz ist oder der Wasserhahn läuft.
	Geknickter Zulaufschlauch.	Sicherstellen, dass der Zulaufschlauch nicht geknickt ist ( <i>siehe INSTALLATION</i> ), den Geschirrspüler neu programmieren und wieder einschalten.
Der Geschirrspüler beendet frühzeitig das Programm. Das Display zeigt: <b>15</b> und die LED EIN/AUS blinken rasch.	Sieb im Zulaufschlauch verstopft; es muss gereinigt werden.	Nach der Überprüfung und Reinigung, den Geschirrspüler ausschalten und ein neues Programm starten.
	Abflussschlauch zu niedrig positioniert oder Wasser vom Abwassersystem angesaugt.	Kontrollieren Sie, ob das Ende des Abflussschlauches auf der korrekten Höhe positioniert ist ( <i>siehe INSTALLATION</i> ). Kontrollieren Sie, ob Wasser in das Abwassersystem angesaugt wird, installieren ggf. ein Belüftungsventil.
	Luft in der Wasserversorgung.	Kontrollieren Sie die Wasserversorgung auf Lecks oder andere Probleme, die einen Lufteintritt verursachen.

Firmenrichtlinien, Standarddokumentation, Ersatzteilbestellung und zusätzliche Produktinformationen finden Sie unter:



- Besuchen Sie unsere Website [docs.whirlpool.eu/docs](https://docs.whirlpool.eu/docs) und [parts-selfservice.europeanappliances.com](https://parts-selfservice.europeanappliances.com)
- Verwenden Sie den QR-Code
- Alternativ **können Sie unseren Kundendienst kontaktieren** (Siehe Telefonnummer im Garantieheft).  
Wird unser Kundendienst kontaktiert, bitte die Codes auf dem Typenschild des Produkts angeben.

Die Modellinformation ist über den QR-Code auf der Energieverbrauchskennzeichnung aufrufbar.  
Die Kennzeichnung enthält auch die Modellnummer, die den Zugang zum Verzeichnisportal unter <https://eprel.ec.europa.eu> ermöglicht.



**400011452739B**

12/2024 ks - Xerox Fabriano



# GUIDE D'UTILISATION QUOTIDIENNE

## D'UTILISATION QUOTIDIENNE



**MERCI D'AVOIR CHOISI UN PRODUIT WHIRLPOOL.**  
Afin de recevoir une assistance plus complète,  
merci d'enregistrer votre appareil sur:  
[www.whirlpool.eu/register](http://www.whirlpool.eu/register)

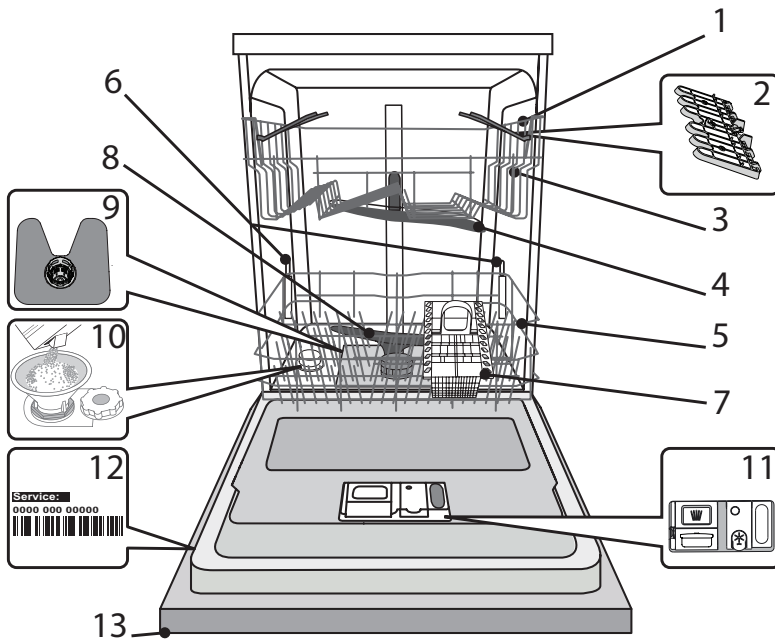


Vous pouvez télécharger les Consignes de sécurité et le Manuel de l'utilisateur, en visitant notre site Internet [docs.whirlpool.eu](http://docs.whirlpool.eu) et en suivant les instructions figurant au verso du présent fascicule.

**Avant d'utiliser l'appareil, lisez attentivement les Consignes de sécurité.**

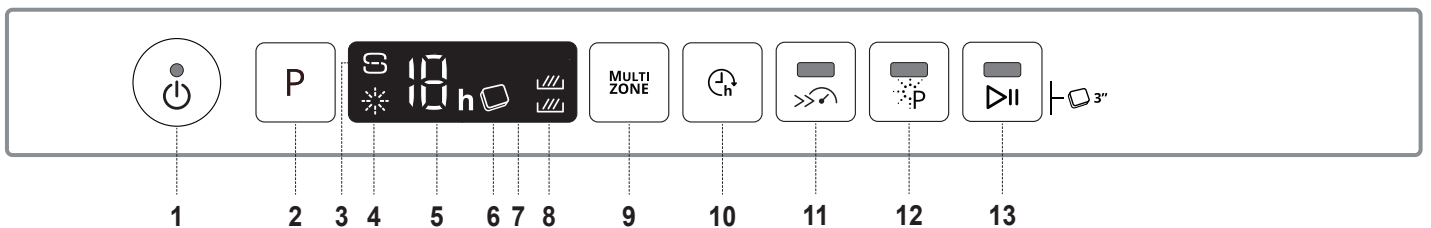
## DESCRIPTION DU PRODUIT

### APPAREIL



1. Panier supérieur
2. Volets pliables
3. Bouton de réglage de la hauteur du panier supérieur
4. Bras d'aspersion supérieur
5. Panier inférieur
6. Supports PowerClean®
7. Panier à couvert
8. Bras d'aspersion inférieur
9. Ensemble filtre
10. Réservoir à sel
11. Distributeurs de détergent et liquide de rinçage
12. Plaque signalétique
13. Panneau de commande

### PANNEAU DE COMMANDE



1. Touche Marche-Arrêt/Réinitialisation avec le voyant
2. Sélecteur de programme
3. Voyant de niveau de sel
4. Voyant de niveau de liquide de rinçage
5. Voyant pour le numéro du programme et le retard réglage
6. Voyant Pastille
7. Affichage
8. Voyant Multizone
9. Touche Multizone
10. Touche Différé
11. Touche Turbo avec le voyant
12. Touche Power Clean® avec le voyant
13. Touche Départ/Pause avec le voyant / Pastille

# PREMIÈRE UTILISATION

## SEL, LIQUIDE DE RINÇAGE, ET DÉTERGENT


### CONSEILS AU SUJET DE LA PREMIÈRE UTILISATION

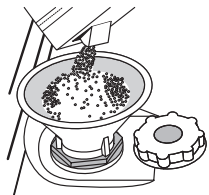
Après l'installation, enlevez les boulons d'arrêt sur les paniers et les éléments élastiques qui retiennent le panier supérieur.

### REMPILIR LE RÉSERVOIR DE SEL

L'utilisation de sel empêche la formation de CALCAIRE sur la vaisselle et sur les composantes fonctionnelles de l'appareil.

- Le **RÉSERVOIR DE SEL NE DOIT JAMAIS ÊTRE VIDE.**
- Il est important de régler la dureté de l'eau.

Le réservoir de sel est situé dans la partie inférieure du lave-vaisselle (voir *DESCRIPTION DU PRODUIT*) et il doit être rempli quand le **voyant NIVEAU DE SEL**  est allumé sur le panneau de commande.



1. Enlevez le panier inférieur et dévissez le bouchon du réservoir (sens antihoraire).
2. **La première fois uniquement, vous devez effectuer l'opération suivante : Remplissez d'eau le réservoir à sel.**
3. Placez l'entonnoir (voir figure) et remplissez le réservoir de sel jusqu'au bord (environ 1 kg); il est normal qu'un peu d'eau déborde.
4. Enlevez l'entonnoir et essuyez les résidus de sel autour de l'ouverture.

Assurez-vous que le bouchon est bien serré pour éviter que du détergent pénètre dans le réservoir durant le cycle de lavage (le réservoir pourrait s'endommager au point de ne plus être réparable).

**Chaque fois que vous avez besoin d'ajouter du sel, il est obligatoire de terminer la procédure avant le début du cycle de lavage afin d'éviter toute corrosion.**

### RÉGLER LA DURETÉ DE L'EAU

Pour que l'adoucisseur d'eau fonctionne à la perfection, il est important de régler la dureté de l'eau aux conditions existantes dans votre résidence. Cette information peut être obtenue de votre fournisseur d'eau local.

L'usine règle la valeur par défaut de la dureté de l'eau.

- Allumer l'appareil en appuyant sur la touche **MARCHE/ARRÊT.**
- Éteindre l'appareil en appuyant sur la touche **MARCHE/ARRÊT.**
- Appuyer sur la touche **P** pendant 5 secondes ; un bip se fait entendre.
- Allumer l'appareil en appuyant sur la touche **MARCHE/ARRÊT.**
- Le numéro de la sélection actuelle et le voyant de niveau de sel clignotent.
- Appuyer sur la touche **P** pour sélectionner le niveau de dureté désiré (voir *TABLEAU DE DURETÉ DE L'EAU*).

Level	°dH Degrés allemand	°fH Degrés français	°Clark Degrés anglais	
1	Très douce	0 - 6	0 - 10	0 - 7
2	Moyenne	7 - 11	11 - 20	8 - 14
3	Douce	12 - 16	21 - 29	15 - 20
4	Dure	17 - 34	30 - 60	21 - 42
5	Très dure	35 - 50	61 - 90	43 - 62

- Éteindre l'appareil en appuyant sur la touche **MARCHE/ARRÊT.**

Le réglage est terminé !  
Une fois cette opération complétée, lancez un programme sans charger le lave-vaisselle.

**Utilisez seulement le sel spécialement conçu pour les lave-vaisselles.**

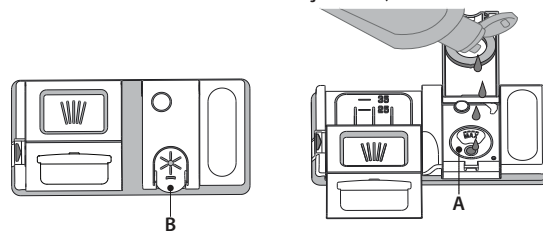
Lorsque le sel est versé dans l'appareil, le voyant AJOUTER DU SEL s'éteint.

**Si le contenant de sel n'est pas rempli, l'adoucisseur et l'élément chauffant peuvent être endommagés à cause de l'accumulation de calcaire.**

L'utilisation de sel est recommandée avec n'importe quel type de lessive pour lave-vaisselle.

### REMPILIR LE DISTRIBUTEUR DE LIQUIDE DE RINÇAGE

Le liquide de rinçage permet à la vaisselle de SÉCHER plus facilement. Le distributeur de liquide de rinçage **A** devrait être rempli lorsque le **voyant de NIVEAU DE LIQUIDE DE RINÇAGE**  est allumé à l'écran.



1. Ouvrez le distributeur **B** en appuyant et en tirant sur l'onglet sur le couvercle.
2. Versez doucement du liquide de rinçage jusqu'à la marque de référence (110 ml) du réservoir de remplissage - évitez les débordements. Si cela se produit, nettoyez les dégâts immédiatement avec un linge sec.
3. Appuyez sur le bouchon pour le fermer; un clic se fait entendre.

**Ne JAMAIS verser le liquide de rinçage directement dans la cuve.**

### AJUSTER LE DOSAGE DU LIQUIDE DE RINÇAGE

Si vous n'êtes pas complètement satisfait avec le séchage, vous pouvez ajuster la quantité de liquide de rinçage utilisée.

- Allumez le lave-vaisselle en utilisant la touche **MARCHE/ARRÊT.**
- Éteignez-le en utilisant la touche **MARCHE/ARRÊT.**
- Appuyez sur la touche **P** à trois reprises - vous entendrez un bip.
- Allumez-le en utilisant la touche **MARCHE/ARRÊT.**
- Le numéro du niveau de sélection actuelle et le voyant du niveau de liquide de rinçage clignotent.
- Appuyez sur la touche **P** pour sélectionner la quantité de liquide de rinçage qui doit être utilisée.
- Éteignez-le en utilisant la touche **MARCHE/ARRÊT**

Le réglage est terminé !

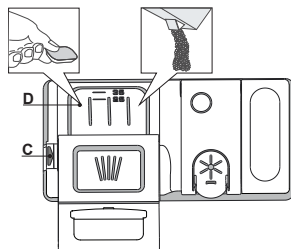
Si le niveau de liquide de rinçage est à ZÉRO (ÉCO), il n'y aura pas de liquide de rinçage distribué. Le voyant LIQUIDE DE RINÇAGE BAS ne s'allumera pas s'il ne reste plus de liquide de rinçage.

Un maximum de 5 niveaux peuvent être réglés selon le modèle du lave-vaisselle. Les réglages d'usine sont spécifiques au modèle, merci de suivre les instructions ci-dessus pour vérifier ceux qui s'appliquent à votre machine.

- Si vous observez des traces bleuâtres sur la vaisselle, placez sur un niveau plus bas (1-2).
- Si vous observez des gouttelettes d'eau ou des traces de calcaire sur la vaisselle, placez sur un niveau plus haut (3-4).

### REMPILIR LE DISTRIBUTEUR DE DÉTERGENT

**Pour ouvrir le distributeur de détergent, utilisez le dispositif d'ouverture C. Insérez le détergent dans le distributeur sec D seulement. Placez la quantité de détergent pour le pré-lavage directement dans la cuve.**



1. Lorsque vous mesurez la lessive, consultez les informations mentionnées précédemment pour ajouter la quantité correcte. À l'intérieur du distributeur **D** se trouvent des indications pour aider au dosage de la lessive.
2. Enlevez les résidus de détergent sur le bord des récipients avant de fermer le couvercle; un clic se fait entendre.
3. Fermez le couvercle du distributeur de détergent en le tirant vers le haut jusqu'à ce que le dispositif soit fermement en place.

Le distributeur de détergent s'ouvre automatiquement, au moment déterminé par le programme. Si vous utilisez un détergent « tout-en-un », nous vous conseillons d'utiliser la touche **PASTILLE**, elle ajuste le programme de façon à toujours obtenir les meilleurs résultats de lavage et séchage.

**L'utilisation d'un détergent non-conçu pour les lave-vaisselles peut provoquer un dysfonctionnement ou des dommages à l'appareil.**

# TABLEAU DES PROGRAMMES

Programme	Séchage	NaturalDry	Options disponibles *)	Durée du programme de lavage (h:min)**)	Consommation d'eau (l/cycle)	Consommation d'énergie (kWh/cycle)
1. Éco ECO 50°	✓	✓		3:10	9,5	0,75
2. 6 <sup>th</sup> Sense® 6 <sup>th</sup> sense 50-60°	✓	✓	MULTI ZONE >>>	1:25 - 3:00	7,0 - 14,0	0,90 - 1,40
3. Intensif 65°	✓	✓	MULTI ZONE >>>	2:50	14,0	1,50
4. Lavage et séchage rapide 50°	✓	✓	MULTI ZONE	1:25	11,5	1,10
5. Cristal 45°	✓	✓	MULTI ZONE	1:40	11,5	1,20
6. Rapide 30' 50°	-	-	MULTI ZONE	0:30	9,0	0,50
7. Silencieux 50°	✓	✓		3:30	15,0	1,15
8. Antibactérien 65°	✓	-		1:40	10,0	1,30
9. Prélavage -	-	-	MULTI ZONE	0:12	4,5	0,01
10. Autonettoyant 65°	-	-		0:50	8,0	0,85

Les données du programme Éco sont mesurées sous des conditions en laboratoire conformément à la norme européenne EN 60436:2020.

Note pour les laboratoires d'essai : pour toutes informations sur les conditions d'essai comparatif EN, s'adresser à : [dw\\_test\\_support@europeanappliances.com](mailto:dw_test_support@europeanappliances.com). Aucun prétraitement de la vaisselle n'est nécessaire avant l'un quelconque des programmes.

\*) Les options ne peuvent pas toutes être utilisées en même temps.

\*\*\*) Les valeurs indiquées pour des programmes différents du programme Éco sont fournis à titre indicatif uniquement. Le temps réel peut varier selon des facteurs comme la température et la pression de l'eau, la température de la pièce, la quantité de détergent, la quantité et le type de vaisselle, l'équilibre de la charge, les options supplémentaires sélectionnées, et la calibration du capteur. La calibration du capteur peut augmenter la durée du programme jusqu'à 20 minutes.

## DESCRIPTION DES PROGRAMMES

### Consignes pour la sélection du cycle de lavage.

#### 1 ÉCO

Le programme Eco est adapté pour nettoyer la vaisselle normalement sale, et pour cette utilisation, c'est le programme le plus efficace en termes d'énergie combinée et de consommation d'eau, et il est utilisé pour évaluer la conformité à la législation européenne en matière d'éco-conception.

#### 2 6<sup>th</sup> SENSE®

Pour la vaisselle normalement sale avec des résidus de nourriture secs. Détermine le degré de saleté de la vaisselle et règle le programme en fonction de celui-ci. Lorsque le capteur détecte le degré de saleté, une animation apparaît sur l'afficheur et la durée du cycle est mise à jour.

#### 3 INTENSIF

Programme conseillé pour une vaisselle très sale, particulièrement adapté pour les poêles et les casseroles (ne pas utiliser avec la vaisselle délicate).

#### 4 LAVAGE ET SÉCHAGE RAPIDE

Vaisselle sale. Cycle quotidien, assure un rendement de nettoyage optimal et des performances de séchage en moins de temps.

#### 5 CRISTAL

Programme pour la vaisselle délicate, plus sensible aux températures élevées, comme les verres et les tasses.

#### 6 RAPIDE 30'

Programme à utiliser pour la demi-charge de vaisselle légèrement sale sans résidus alimentaires séchés. N'a pas de phase de séchage

#### 7 SILENCIEUX

Adéquat lorsque l'appareil fonctionne la nuit. Assure un nettoyage et des performances de séchage optimaux avec les plus faibles émissions de bruit.

#### 8 ANTIBACTÉRIEN

Vaisselle sale ou très sale, avec lavage antibactérien supplémentaire. Peut être utilisé pour effectuer l'entretien du lave-vaisselle.

#### 9 PRÉLAVAGE

Utilisez ce programme pour rafraîchir la vaisselle qui sera lavée plus tard. N'utilisez pas de détergent avec ce programme.

#### 10 AUTONETTOYANT

Programme à utiliser pour effectuer l'entretien du lave-vaisselle, à réaliser uniquement lorsque le lave-vaisselle est VIDE en utilisant des détergents spécifiques conçus pour l'entretien du lave-vaisselle.

#### Remarques :

Il convient de noter que le cycle *Rapide 30'* est destiné uniquement à la vaisselle légèrement sale.

# OPTIONS ET FONCTIONS

Les OPTIONS peuvent être sélectionnées directement en appuyant sur la touche correspondante (voir PANNEAU DE COMMANDE).

**Si une option n'est pas compatible avec le programme sélectionné (voir TABLEAU DES PROGRAMMES), le voyant correspondant clignote 3 fois et un bip se fait entendre. La fonction n'est pas activée.**

## MULTI ZONE MULTIZONE

S'il n'y a pas beaucoup de vaisselle à laver, la demi-charge peut être utilisée pour économiser de l'eau, de l'électricité, et du détergent.

Sélectionnez un programme et appuyez ensuite sur la touche MULTIZONE: le symbole du panier sélectionné s'affiche à l'écran. Par défaut, l'appareil lave la vaisselle sur tous les paniers. Pour seulement laver la vaisselle sur un panier particulier, appuyez plusieurs fois sur cette touche :



s'affiche à l'écran (panier inférieur seulement)



s'affiche à l'écran (panier supérieur seulement)



s'affiche à l'écran (l'option est ÉTEINTE et l'appareil lave la vaisselle sur tous les paniers).

**Chargez seulement le panier supérieur ou inférieur, et réduisez la quantité de détergent en conséquence.**

**Si le panier supérieur est enlevé, appliquez le détergent directement dans la cuve au lieu du distributeur de détergent.**



## DIFFÉRÉ

Le début du programme peut être retardé pour une période entre 1 et 12 heures.

1. Appuyez sur la touche DIFFÉRÉ : le symbole «h» correspondant apparaît sur l'écran ; chaque fois que vous appuyez sur la touche, le temps (1 heure, 2 heures, etc. jusqu'à un max de 12 heures) avant le début du cycle de lavage augmente.
2. Sélectionnez le programme de lavage, appuyez sur le bouton DÉPART/PAUSE et dans les 4 secondes, fermez la porte : la minuterie commencera le compte à rebours.
3. Une fois le temps écoulé, le voyant «h» s'éteint et le cycle de lavage démarre.

Pour ajuster le délai et sélectionner une période de temps plus courte, appuyez sur la touche DIFFÉRÉ. Pour l'annuler, appuyez sur la touche à plusieurs reprises pour éteindre le voyant «h» de départ différé sélectionné. Le programme de lavage démarre automatiquement aussitôt que la porte est fermée.

**La fonction Différé ne peut pas être réglée une fois que le cycle de lavage a commencé.**



## TURBO

Cette option permet de réduire la durée des programmes principaux tout en conservant les niveaux de rendement du lavage et du séchage.

Après avoir sélectionné le programme, appuyez sur la touche TURBO et le voyant s'allume. Appuyez de nouveau sur la touche pour annuler l'option.



## POWER CLEAN®

Grâce aux jets haute pression supplémentaires, cette option fournit un lavage plus intensif et puissant dans le panier inférieur, dans la zone spécifique. Elle est recommandée pour le lavage des poêles et des casseroles. Appuyez sur cette touche pour activer Power Clean (le voyant s'allume).

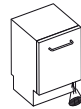


## PASTILLE

Ce réglage vous permet d'optimiser le rendement du programme selon le type de détergent utilisé.

Appuyez sur la touche DÉPART/PAUSE 3 secondes (le symbole correspondant s'allume) si vous utilisez un détergent sous la forme d'une pastille (liquide de rinçage, sel, et détergent en une seule dose).

**Si vous utilisez un détergent en poudre ou liquide, cette option devrait être éteinte.**



## TÉMOIN DE FONCTIONNEMENT

Un voyant LED projeté sur le sol indique que le lave-vaisselle fonctionne. Un des modes de fonctionnement suivant peut être sélectionné :

- a) Fonction désactivée.
- b) Lorsque que le cycle est lancé, le voyant s'allume quelques secondes; il reste éteint durant le cycle, et clignote à la fin du cycle.
- c) Le voyant reste allumé durant le cycle et clignote à la fin du cycle (mode par défaut).

Si le Départ différé est sélectionné, le voyant s'allume durant les premières secondes, ou pour la durée du compte à rebours, selon que le mode b) ou c) ait été réglé.

Le voyant s'éteint chaque fois que la porte est ouverte. Pour sélectionner votre mode préféré, allumez l'appareil, appuyez sur la touche **P** jusqu'à ce qu'une des trois lettres apparaisse à l'écran, appuyez sur la touche **P** pour afficher la lettre (mode) désirée, et appuyez de nouveau sur la touche **P** pour confirmer votre sélection.

**Remarque: si NaturalDry est activé et ouvre la porte, l'indicateur de fonctionnement ne clignotera pas à la fin du cycle.**

## NaturalDry

*NaturalDry* est un système de séchage à convection qui ouvre automatiquement la porte pendant/après la phase de séchage pour assurer une performance de séchage exceptionnelle chaque jour. La porte s'ouvre à la température qui est sûre pour les meubles de votre cuisine, donc la porte ne sera pas ouverte quand l'option TURBO sera activée.

À titre de protection supplémentaire contre la vapeur, une feuille de protection spécifiquement conçue est ajoutée avec le lave-vaisselle. Pour voir comment monter la feuille de protection, consulter le (GUIDE D'INSTALLATION).

La fonctionnalité *NaturalDry* pourrait être désactivée par l'utilisateur comme suit:

1. Allez au menu de logiciel du lave-vaisselle en appuyant et en maintenant le bouton **P** (6 sec).
2. Vous êtes actuellement dans le Menu Contrôle lumineux (consultez la description TÉMOIN DE FONCTIONNEMENT si vous ne voulez rien changer, appuyez sur le bouton **P** et maintenez-le enfoncé (jusqu'à ce qu'une des deux lettres apparaisse à l'écran).
3. Vous passez au Menu de contrôle *NaturalDry*, vous pouvez changer d'état de la fonctionnalité *NaturalDry* en appuyant sur le bouton **P**:

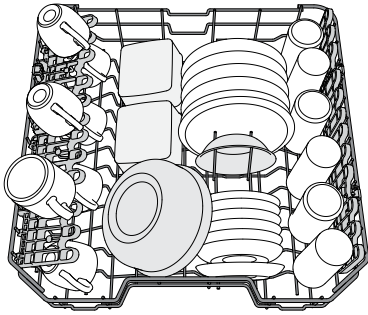
**E** – activé

**d** – désactivé

Pour confirmer le changement et sortir du Menu de Contrôle, appuyez sur le bouton **P** et le maintenir enfoncé (3 sec).

# CHARGEMENT DES PANIERS

## PANIER SUPÉRIEUR

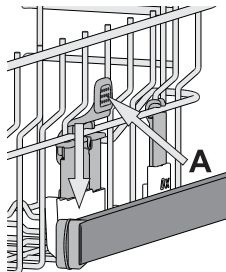


(exemple de chargement du panier supérieur)

Chargez la vaisselle délicate et légère: verres, tasses, soucoupes, saladiers bas.

## AJUSTER LA HAUTEUR DU PANIER SUPÉRIEUR

Vous pouvez ajuster la hauteur du panier supérieur : position élevée pour placer la vaisselle encombrante sur le panier inférieur, et la position basse pour profiter au maximum des supports rabattables et créant plus d'espace vers le haut et éviter les chocs avec les articles sur le panier inférieur. Le panier supérieur comprend un **dispositif de réglage de la hauteur du panier supérieur** (voir figure), sans appuyer sur les leviers, simplement soulever en tenant le panier sur les côtés jusqu'à ce qu'il soit stable en position élevée. Pour abaisser le panier, appuyez sur les leviers **A** sur les côtés du panier et déplacez-le vers le bas.



**Nous vous conseillons fortement de ne pas ajuster la hauteur du panier lorsqu'il est chargé.**

**Ne JAMAIS soulever ou abaisser un seul côté du panier.**

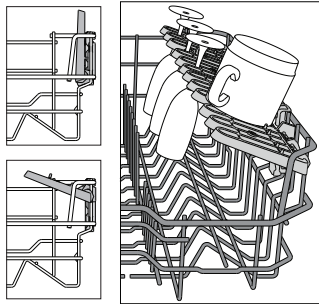
## VOLETS PLIABLES À POSITION RÉGLABLE

Les volets pliables latéraux peuvent être pliés ou dépliés afin d'optimiser la disposition de la vaisselle à l'intérieur du rack.

Les verres de vin peuvent être placés de façon sécuritaire dans les volets pliables en insérant le pied de chaque verre dans la fente correspondante.

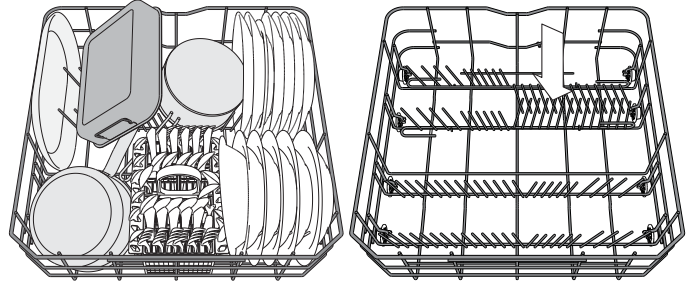
Selon le modèle :

- pour déplier les volets, il est nécessaire de les coulisser vers le haut et de les tourner ou de les libérer des griffes et de les tirer vers le bas.
- pour replier les volets, il est nécessaire de les tourner et de les faire coulisser vers le bas ou de les tirer vers le haut et de fixer les pattes aux griffes



## PANIER INFÉRIEUR

Pour les poêles, les couvercles, les plats, les saladiers, les couverts, etc. Les grands plats et les grands couvercles devraient être placés sur le côté pour éviter qu'ils n'entravent le fonctionnement des bras d'aspersion. Le panier inférieur comprend des supports rabattables qui peuvent être placés en position verticale pour charger des plaques, ou en position horizontale (bas) pour faciliter le chargement des casseroles et des bols de salade.

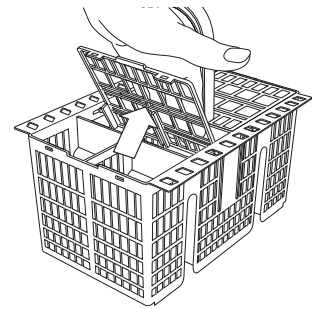


(exemple de chargement du panier inférieur)

## PANIER À COUVERT

Le panier comprend des grilles supérieures pour placer les couverts plus facilement. Le panier à couvert doit uniquement être placé à l'avant du panier inférieur.

**Les couteaux et autres ustensiles avec des bords tranchants doivent être placés dans le panier à couvert avec la pointe vers le bas, ou placés à l'horizontale dans le compartiment rabattable sur le panier supérieur.**



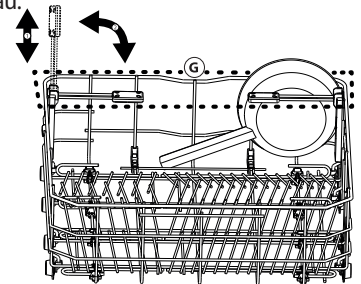
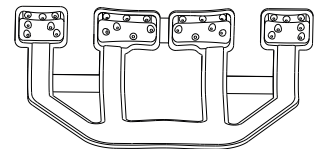
## POWER CLEAN SUR LE PANIER INFÉRIEUR

Power Clean® utilise des jets d'eau spéciaux, situés à l'arrière de la cavité, pour laver les articles très sales avec une intensité plus élevée. Le panier inférieur comprend une zone d'espace, un support spécial qui se trouve à l'arrière du panier, qui peut être utilisé pour supporter les poêles à frire et les moules dans une position verticale, prenant ainsi moins de place.

Placez les poêles et les casseroles face à la composante Power Clean® et activez **POWER CLEAN** sur le panneau.

Comment utiliser Power Clean®.

1. Réglez la zone Power Clean® (G) en rabattant les supports pour assiettes arrières pour charger des casseroles.
2. Chargez les grands plats et les casseroles en les inclinant à la verticale dans la zone Power Clean®. Les casseroles doivent être inclinées dans la direction des jets d'eau haute pression.



# UTILISATION QUOTIDIENNE

## 1. VÉRIFIER LE BRANCHEMENT DE L'EAU

Assurez-vous que l'appareil est raccordé à un réseau d'alimentation et que le robinet de l'eau est ouvert.

## 2. ALLUMER LE LAVE-VAISSELLE

Ouvrez la porte et appuyez sur la touche **MARCHE/ARRÊT**.

## 3. CHARGER LES PANIERS (voir CHARGEMENT DES PANIERS).

## 4. REMPLIR DE DISTRIBUTEUR DE DÉTERGENT

## 5. CHOISIR LE PROGRAMME ET PERSONNALISER LE CYCLE

Sélectionnez le meilleur programme selon le type de vaisselle et le niveau de saleté (voir DESCRIPTION DES PROGRAMMES) en appuyant sur la touche **P**.

Sélectionnez les options désirées (voir OPTIONS ET FONCTIONS).

## 6. DÉMARRER

Démarrez le cycle de lavage en appuyant sur le bouton **DÉPART/Pause** (le témoin est allumé) et en fermant la porte dans les 4 secondes. Quand le programme démarre, vous entendez un bip simple. Si la porte n'a pas été fermée dans les 4 secondes, le signal d'alarme est activé. Dans ce cas, ouvrez la porte, appuyez sur le bouton **DÉPART/Pause** et fermez de nouveau la porte dans les 4 sec.

## 7. FIN DU CYCLE DE LAVAGE

La fin du cycle de lavage est indiquée par des bips et par le clignotement du nombre de cycles de lavage sur l'écran. Ouvrez la porte et éteignez l'appareil en appuyant sur la touche **MARCHE/ARRÊT**.

Pour éviter de vous brûler, attendez quelques minutes avant de retirer la vaisselle. Déchargez les paniers en commençant par le panier inférieur.

L'appareil s'éteint automatiquement durant des périodes d'inactivité prolongées pour réduire la consommation d'énergie. Si la vaisselle est légèrement sale ou si elle a été rincée avec à l'eau avant d'être placée dans le lave-vaisselle, réduisez la quantité de détergent utilisée en conséquence.

## MODIFIER UN PROGRAMME EN COURS

Si vous avez sélectionné le mauvais programme, vous pouvez le changer, à condition que ce soit fait au tout début du cycle: ouvrir la porte, appuyer sur le bouton **MARCHE/ARRÊT** et le maintenir enfoncé, la machine s'éteindra.

Rallumez l'appareil en appuyant sur la touche **MARCHE/ARRÊT** et sélectionnez le nouveau cycle de lavage et les options désirées ; lancer le cycle en appuyant sur le bouton **DÉPART/Pause** et en fermant la porte dans les 4 sec.

## AJOUTER DE LA VAISSELLE

Sans éteindre la machine, ouvrir la porte (Le voyant **DÉPART/Pause** commencera à clignoter) (**attention à la vapeur CHAUDE !**) et placer la vaisselle à l'intérieur du lave-vaisselle. Appuyer sur le bouton **DÉPART/Pause** et fermer la porte dans les 4 sec, le cycle reprendra à l'endroit où il a été interrompu.

## INTERRUPTIONS IMPRÉVUES

Si la porte est ouverte pendant le cycle de lavage, ou s'il y a une coupure de courant, le cycle s'arrête. Pour reprendre le cycle à l'endroit où il a été interrompu, appuyer sur le bouton **DÉPART/Pause** et fermer la porte dans les 4 sec.

# AVIS ET CONSEILS

## CONSEILS

Avant de charger les paniers, enlevez tous les résidus de nourriture sur la vaisselle et videz les verres. **Vous n'avez pas besoin de rincer la vaisselle avant de la placer dans le lave-vaisselle.**

Placez la vaisselle pour qu'elle tienne bien en place et ne risque pas de tomber; et placez les récipients avec les ouvertures vers le bas et les parties concaves/convexes de côté pour permettre à l'eau d'atteindre toutes les surfaces et couler librement.

**Avertissement :** les couvercles, poignées, plaques et poêles à frire n'empêchent pas les bras d'aspersion de tourner. Placez les petits articles dans le panier à couvert. La vaisselle et les casseroles très sales devraient être placées sur le panier inférieur car les jets d'eau sont plus forts dans cette section et permet un meilleur rendement lors du lavage. Après avoir chargé l'appareil, assurez-vous que les bras d'aspersion peuvent bouger librement.

## VAISSELLE QUI NE CONVIENT PAS

- Vaisselle et couverts en bois.
- Verres décoratifs délicats, produits artisanaux, et vaisselle antique. Les garnitures ne sont pas résistantes.
- Les pièces en matériel synthétique qui ne supportent pas les hautes températures.
- La vaisselle en cuivre ou en étain.
- La vaisselle tachée de cendre, de cire, de graisse lubrifiante, ou d'encre.

Les couleurs des garnitures de verre et des pièces d'aluminium/argent peuvent changer et ternir durant le cycle de lavage. Certains types de verre (p. ex. les objets en cristal) peuvent aussi devenir opaque après plusieurs cycles de lavage.

## VERRES ET VAISSELLE ENDOMMAGÉS

- Seulement utiliser des verres ou de la porcelaine qui sont lavables au lave-vaisselle conformément aux recommandations du fabricant.
- Utilisez un détergent doux, adéquat pour la vaisselle.
- Retirez les verres et les couverts du lave-vaisselle aussitôt que le cycle de lavage est terminé

## ASTUCES SUR L'ÉCONOMIE D'ÉNERGIE

- Lorsque le lave-vaisselle domestique est utilisé conformément aux instructions du fabricant, **le lavage de la vaisselle dans un lave-vaisselle consomme habituellement MOINS D'ÉNERGIE et d'eau que le lavage à la main.**
- Afin d'optimiser l'efficacité du lave-vaisselle, il est recommandé de **débuter le cycle de lavage une fois que le lave-vaisselle est totalement chargé.** Le chargement du lave-vaisselle domestique jusqu'à la capacité indiquée par le fabricant contribuera à économiser de l'énergie et de l'eau. Vous trouverez des informations sur le chargement correct de la vaisselle dans le chapitre CHARGEMENT DES PANIERS. En cas de chargement partiel, il est recommandé d'utiliser des options de lavage spécifiques si elles sont disponibles (Demi-charge / Zone Wash/ Multi Zone), en remplissant uniquement les paniers sélectionnés. Un chargement incorrect ou une surcharge du lave-vaisselle peut augmenter l'utilisation des ressources (telles que l'eau, l'énergie et le temps, et augmenter le niveau de bruit), en réduisant les performances de nettoyage et de séchage.
- Un pré-rinçage manuel des éléments de vaisselle provoque une augmentation de la consommation d'eau et d'énergie et n'est pas recommandé.

## HYGIÈNE

Pour éviter les odeurs et les dépôts qui pourraient s'accumuler dans le lave-vaisselle, lancer un programme à haute température au moins une fois par mois. Utilisez une cuillère à café de détergent et lancer le programme sans vaisselle pour nettoyer l'appareil.

# NETTOYAGE ET ENTRETIEN

## NETTOYER L'ENSEMBLE FILTRE

Nettoyez régulièrement l'ensemble filtre pour éviter qu'il ne se bouche et pour permettre aux eaux usées de bien s'éliminer.

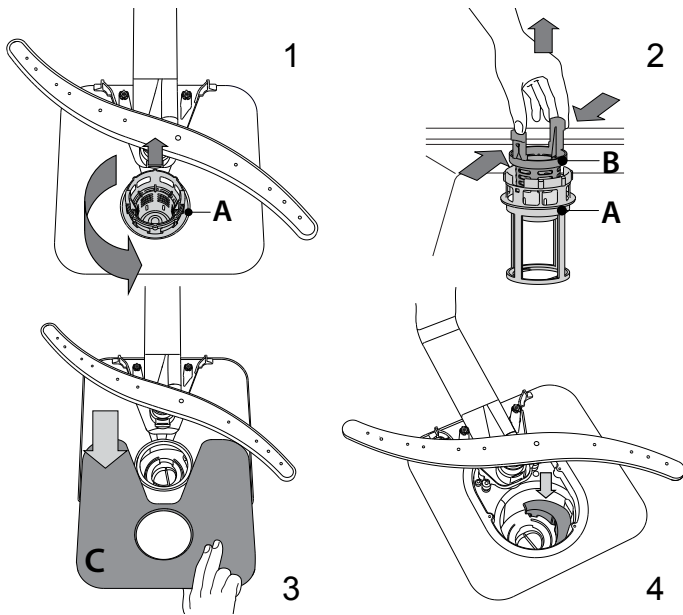
L'utilisation du lave-vaisselle avec des filtres obstrués ou des objets étrangers à l'intérieur du système de filtration ou des bras de pulvérisation peut provoquer un dysfonctionnement de l'unité provoquant une perte de performances, un fonctionnement bruyant ou une utilisation supérieure des ressources.

L'ensemble filtre comprend trois filtres qui séparent les résidus de nourriture de l'eau de lavage pour ensuite faire circuler l'eau.

### N'utilisez pas le lave-vaisselle sans les filtres ou si un filtre est mal ajusté.

Au moins une fois par mois ou tous les 30 cycles, vérifiez l'assemblage du filtre et si nécessaire, nettoyez-le minutieusement sous l'eau courante, en utilisant une brosse non-métallique et en suivant les instructions ci-dessous :

1. Tournez le filtre cylindrique **A** dans le sens antihoraire et retirez-le (Fig. 1).
2. Enlevez le panier du filtre **B** en appliquant une légère pression sur les volets latéraux (Fig. 2).
3. Retirez la plaque du filtre en acier inoxydable **C** (Fig. 3).
4. Si vous trouvez des objets étrangers (comme du verre brisé, de la porcelaine, des os, des pépins de fruits, etc), enlevez-les minutieusement.
5. Inspecter la cavité et enlever les résidus de nourriture. **NE JAMAIS ENLEVER** la protection de la pompe du cycle de lavage (détails en couleur noir) (Fig 4).



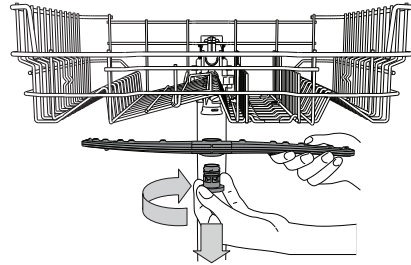
Après avoir nettoyé les filtres, assemblez de nouveau l'ensemble filtre et remettez-le en place correctement; c'est très important pour que le lave-vaisselle garde son efficacité.

## NETTOYER LE TUYAU D'ARRIVÉE D'EAU

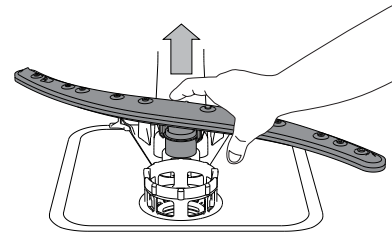
Si les tuyaux d'eau sont neufs ou s'ils n'ont pas été utilisés depuis longtemps, laissez l'eau couler pour vous assurer qu'il n'y a pas d'impureté ou de saleté avant de les brancher. Si vous n'effectuez pas cette opération, l'arrivée d'eau pourrait se boucher et endommager le lave-vaisselle.

## NETTOYER LES BRAS D'ASPERSION

À l'occasion, des résidus de nourriture s'incrument dans les bras d'aspersion et bloquent les trous utilisés pour asperger de l'eau. Il est donc conseillé de vérifier les bras de temps en temps et de les nettoyer avec une petite brosse non métallique.



Pour enlever le bras d'aspersion supérieur, tournez l'anneau de verrouillage en plastique dans le sens horaire. Le bras d'aspersion supérieur doit être replacé de façon que le côté avec le plus grand nombre de trous est placé vers le haut.



Le bras d'aspersion inférieur peut être enlevé en le tirant vers le haut.

## SYSTÈME ADOUCISSEUR D'EAU

L'adoucisseur d'eau réduit automatiquement la dureté de l'eau, en empêchant ainsi la formation de calcaire sur la résistance, et en contribuant également à une meilleure performance de nettoyage.



**Ce système se régénère avec du sel, il est donc nécessaire de remplir le bac de sel lorsqu'il est vide.**

La fréquence de régénération dépend du réglage du niveau de dureté de l'eau - la régénération a lieu une fois tous les **6** cycles Eco avec un niveau de dureté de l'eau réglé à **3**. Le processus de régénération débute lors du rinçage final et se termine en phase de séchage avant la fin du cycle.

- Une régénération simple consomme : ~3,5 L d'eau ;
- Prend jusqu'à 5 minutes supplémentaires pour le cycle ;
- Consomme moins de 0,005 kWh d'énergie.

# DÉPANNAGE

Si votre lave-vaisselle ne fonctionne pas correctement, vérifiez si le problème peut être résolu en suivant la liste ci-après. Pour d'autres erreurs ou problèmes, contactez le Service après-vente agréé dont les coordonnées peuvent être trouvées dans le livret de garantie. Les pièces de rechange seront disponibles pour une période allant jusqu'à 7 ou jusqu'à 10 ans, selon les exigences spécifiques du règlement.

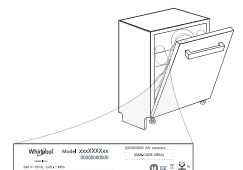
PROBLÈMES	CAUSES POSSIBLES	SOLUTIONS
 L'indicateur de sel est allumé	Le réservoir de sel est vide. (Après le remplissage, il est possible que le voyant du niveau de sel régénérant ne s'éteigne qu'au bout de plusieurs cycles de lavage).	Remplissez le réservoir de sel régénérant (pour plus d'informations, reportez-vous à la page 2). Réglez la dureté de l'eau - reportez-vous au tableau de la page 2.
 Le voyant de liquide de rinçage est allumé	Le distributeur de liquide de rinçage est vide. (Après le remplissage, il est possible que le voyant du niveau de liquide de rinçage ne s'éteigne qu'au bout de plusieurs cycles de lavage).	Remplissez le distributeur de liquide de rinçage (pour plus d'informations, reportez-vous à la page 2).
Le lave-vaisselle ou les commandes ne fonctionnent pas.	L'appareil n'est pas bien branché.	Insérez la fiche dans la prise de courant.
	Panne de courant.	Pour des raisons de sécurité, le lave-vaisselle ne redémarrera pas automatiquement lors du retour de l'alimentation électrique. Ouvrez la porte du lave-vaisselle, appuyez sur le bouton DÉPART/Pause, et fermez la porte dans les 4 secondes.
	La porte du lave-vaisselle n'est pas fermée. Broche NaturalDry non entrée.	Poussez vigoureusement la porte pour entendre le « clic ».
	Le cycle est interrompu par une ouverture de la porte supérieure à 4 secondes.	Appuyer sur DÉPART/Pause et fermer la porte dans les 4 secondes.
Le lave-vaisselle ne se vidange pas. L'afficheur indique : <b>3</b> et le voyant MARCHE/ARRÊT clignote rapidement.	Le cycle de lavage n'est pas encore terminé.	Attendre que le cycle se termine.
	Le tuyau de vidange est plié.	Assurez-vous que le tuyau de vidange n'est pas plié (voir <i>CONSIGNES D'INSTALLATION</i> ).
	Le conduit de vidange de l'évier est bouché.	Nettoyez le conduit de vidange de l'évier.
	Le filtre est bouché par des résidus de nourriture.	Nettoyez le filtre (voir <i>NETTOYAGE DE L'ENSEMBLE FILTRE</i> ).
Le lave-vaisselle fait beaucoup de bruit.	La vaisselle s'entrechoque.	Remplacez la vaisselle (voir <i>CHARGEMENT DES PANIERS</i> ).
	Il y a une trop grande quantité de mousse.	Le détergent a été mal mesuré ou il n'est pas adéquat pour les lave-vaisselles (voir <i>REMPLIR LE DISTRIBUTEUR DE DÉTERGENT</i> ). Relancez le cycle en cours en éteignant le lave-vaisselle, puis en le rallumant, sélectionnez un nouveau programme, appuyez sur Départ/Pause et fermez la porte dans les 4 secondes. Merci de ne pas ajouter de détergent.
La vaisselle n'est pas propre.	La vaisselle n'est pas bien placée.	Remplacez la vaisselle (voir <i>CHARGEMENT DES PANIERS</i> ).
	Les bras d'aspersion ne bougent pas librement, ils sont gênés par la vaisselle.	Remplacez la vaisselle (voir <i>CHARGEMENT DES PANIERS</i> ).
	Le cycle de lavage est trop délicat.	Sélectionnez le cycle de lavage approprié (voir <i>TABLEAU DES PROGRAMMES</i> ).
	Il y a une trop grande quantité de mousse.	Le détergent a été mal mesuré ou il n'est pas adéquat pour les lave-vaisselles (voir <i>REMPLIR LE DISTRIBUTEUR DE DÉTERGENT</i> ).
	Le bouchon du compartiment de liquide de rinçage n'est pas bien fermé.	Assurez-vous que le bouchon du distributeur de liquide de rinçage est fermé.
	Le filtre est sale ou bouché.	Nettoyez l'ensemble de filtre (voir <i>NETTOYAGE ET ENTRETIEN</i> ).
L'eau n'arrive pas au lave-vaisselle. L'afficheur indique : <b>H, 6</b> et le voyant MARCHE/ARRÊT clignote rapidement.	Il n'y a pas de sel.	Remplir le réservoir de sel (voir <i>REMPLIR LE RÉSERVOIR DE SEL</i> ).
	L'alimentation d'eau est vide ou le robinet est fermé.	Assurez-vous qu'il y a de l'eau dans le circuit d'alimentation ou que le robinet est ouvert.
	Le tuyau d'arrivée est plié.	Assurez-vous que le tuyau d'entrée n'est pas plié (voir <i>INSTALLATION</i> ) reprogrammez le lave-vaisselle et relancez-le.
Le lave-vaisselle termine le cycle prématurément. L'afficheur indique : <b>15</b> et le voyant MARCHE/ARRÊT clignote rapidement.	Le tamis dans le tuyau d'arrivée d'eau est obstrué ; il est nécessaire de le nettoyer.	Après avoir complété la vérification et le nettoyage, éteignez et rallumez le lave-vaisselle et redémarrez le programme.
	Le tuyau de vidange est positionné trop bas ou se vide dans le système d'évacuation domestique.	Vérifiez si l'extrémité du tuyau de vidange est placée à la hauteur correcte (voir <i>INSTALLATION</i> ). Vérifiez la vidange dans le système d'évacuation domestique, installez une vanne d'admission d'air si nécessaire.
	De l'air est présent dans l'alimentation en eau.	Vérifiez si l'alimentation en eau présente des fuites ou d'autres problèmes laissant entrer de l'air.

**Vous trouverez les documents normatifs, la documentation standard, le classement des pièces de rechange et des informations supplémentaires sur les produits:**



- En visitant notre site web [docs.whirlpool.eu/docs](https://docs.whirlpool.eu/docs) et [parts-selfservice.europeanappliances.com](https://parts-selfservice.europeanappliances.com)
- Utilisant un QR Code
- En variante, **contactez notre Service après-vente** (le numéro de téléphone se trouve dans le livret de garantie). Lorsque vous contactez notre Service Après-vente, veuillez indiquer les codes visibles sur la plaque signalétique de votre produit.

Les informations relatives au modèle peuvent être trouvées en utilisant le QR-Code figurant sur l'étiquette énergétique. L'étiquette comprend également l'identifiant du modèle qui peut être utilisé pour consulter le portail du registre sur le site <https://eprel.ec.europa.eu>



**400011452739B**

12/2024 ks - Xerox Fabriano



# MINDENNAPI HASZNÁLATI ÚTMUTATÓ



**KÖSZÖNJÜK, HOGY A WHIRLPOOL TERMÉKÉT  
VÁLASZTOTTA!** Teljes körű támogatásért kérjük, regisztrálja  
termékét honlapunkon: [www.whirlpool.eu/register](http://www.whirlpool.eu/register)

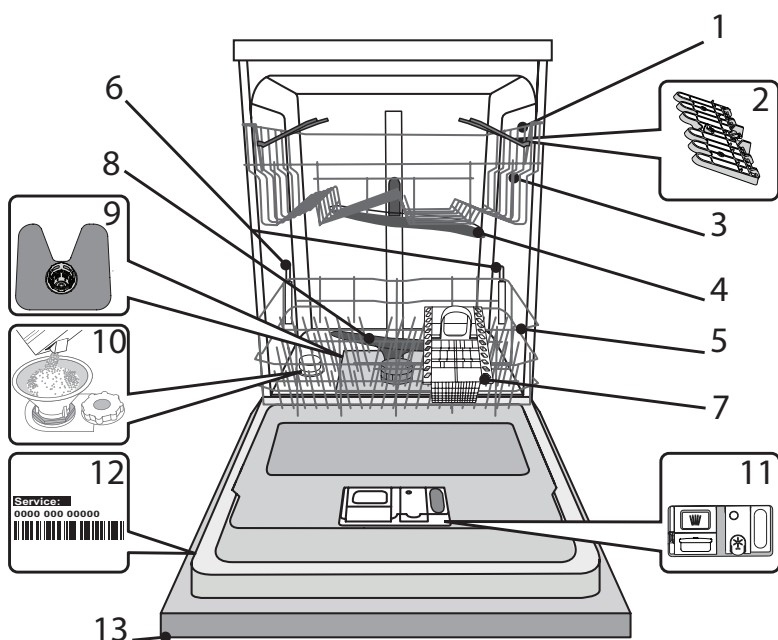


Ha szeretné letölteni a Biztonsági útmutatót és a  
Használati útmutatót, látogassa meg a webhelyün-  
ket: [docs.whirlpool.eu](http://docs.whirlpool.eu) és kövesse a füzet hátulján  
található utasításokat.

**A készülék használata előtt olvassa el figyelmesen a Biztonsági útmutatót.**

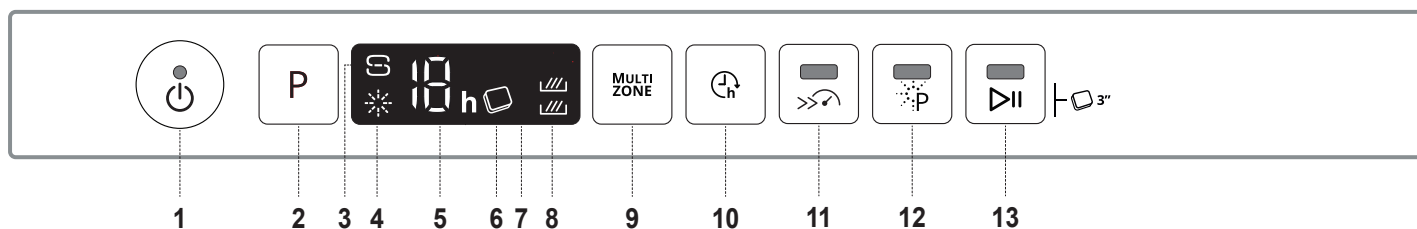
## A TERMÉK BEMUTATÁSA

### KÉSZÜLÉK



1. Felső kosár
2. Lehajtható polcok
3. Felső kosár magasságbeállítója
4. Felső permetezőkar
5. Alsó kosár
6. Power Clean támogatás
7. Evőeszközkosár
8. Alsó permetezőkar
9. Szűrőegység
10. Sótartály
11. Mosogatószer- és öblítőszer-adagoló
12. Adattábla
13. Kezelőpanel

### KEZELŐPANEL



1. Be/Ki/Újrindítás gomb és jelzőfény
2. Programválasztó gomb
3. Só utántöltése jelzőfény
4. Öblítőszer utántöltése jelzőfény
5. Program száma és a késleltetés kijelzése
6. Tabletta (Tab) jelzőfény
7. Kijelző
8. Multizone jelzőfénye
9. Multizone gomb
10. Késleltetés gomb
11. Turbo gomb és jelzőfény
12. Power Clean® gomb és jelzőfény
13. Indítás/Szünet gomb és jelzőfény / Tabletta (Tab)

# ELSŐ HASZNÁLAT SÓ, ÖBLÍTŐSZER ÉS MOSOGATÓSZER


## TANÁCSOK AZ ELSŐ HASZNÁLATHOZ

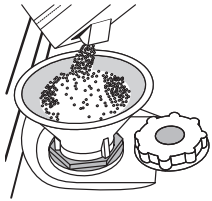
Az üzembe helyezés után távolítsa el az ütközőket a kosarokról és a rugalmas rögzítőelemeket a felső kosárról.

## A SÓTARTÁLY FELTÖLTÉSE

Só használatával elkerülhető, hogy VÍZKŐ képződjön az edényeken és a gép funkcionális alkatrészein.

- Feltétlenül szükséges, hogy a **SÓTARTÁLY SOHA NE LEGYEN ÜRES.**
- Fontos, hogy a vízkeménység be legyen állítva.

A sótartály a mosogatógép alsó részén található (lásd **TERMÉK BEMUTATÁSA**), és akkor kell feltölteni, amikor a kezelőpanelen az, **SÓ UTÁNTÖLTÉSE** jelzőfény  világítani kezd.



1. Vegye ki az alsó kosarat, és csavarja ki a tartály kupakját (az óramutató járásával ellentétes irányba).
2. **Csak a legelső használatkor: tölts fel vízzel a sótartályt!**
3. Helyezze be a tölcsért (lásd az ábrát), és tölts fel teljesen a sótartályt (ehhez kb. 1 kg só szükséges). Előfordulhat, hogy egy kevés víz kifolyik a rekeszből.
4. Vegye ki a tölcsért, és törölje le az esetlegesen kiszóródott sót a nyílás környékéről.

Zárja vissza szorosan a kupakot úgy, hogy a mosogatási program során ne kerülhessen mosogatószer a tartályba (ellenkező esetben a vízlágyító helyrehozhatatlanul károsodhat).

**Ha esedékes a só hozzáadása, mindenképpen el kell végezni az eljárást a mosogatási ciklus megkezdése előtt a korrózió elkerülése érdekében.**

## A VÍZKEMÉNYSÉG BEÁLLÍTÁSA

A vízlágyító akkor működik tökéletesen, ha a vízkeménységet a lakóhelyén elérhető víz tényleges keménysége alapján állítja be. Ezzel kapcsolatban érdeklődjön a helyi vízműveknél.

A gyár beállítja a vízkeménység alapértelmezett értékét.

- Kapcsolja be a készüléket a **BE/KI** gombbal.
- Kapcsolja ki a készüléket a **BE/KI** gombbal.
- Nyomja meg és tartsa lenyomva a **P** gombot 5 másodpercig, amíg sípolás nem hallatszik.
- Kapcsolja be a készüléket a **BE/KI** gombbal.
- Villogni kezd az aktuálisan kiválasztott szintet jelző szám és asótöltetet jelző fény.
- Nyomja meg a **P** gombot a kívánt keménységi szint kiválasztásához (lásd **VÍZKEMÉNYSÉGI TÁBLÁZAT**).

Vízkeménységi táblázat

Szint	°dH Német rendszer	°fH Francia rendszer	°Clark Angol rendszer
1 Lágy	0 - 6	0 - 10	0 - 7
2 Közepes	7 - 11	11 - 20	8 - 14
3 Átlagos	12 - 16	21 - 29	15 - 20
4 Kemény	17 - 34	30 - 60	21 - 42
5 Nagyon kemény	35 - 50	61 - 90	43 - 62

- Kapcsolja ki a készüléket a **BE/KI** gombbal.

A beállítás megtörtént.

Ezután edények nélkül futtasson le egy programot.

**Kizárólag mosogatógépekhez készült sót használjon.**

Miután sót öntött a készülékbe, a „SÓ UTÁNTÖLTÉSE” jelzőfény kialszik.

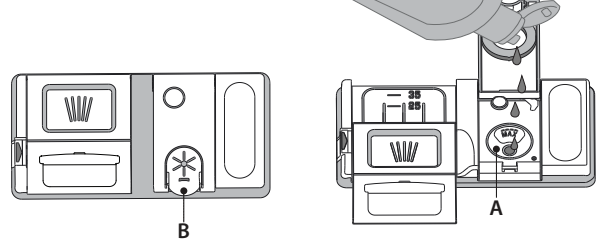
**Ha nem tölti fel a sótartályt, a vízlágyító és a fűtőelem a vízkő felhalmozódása miatt károsodhat.**

**Só használata bármilyen mosogatószer mellett ajánlott.**

## AZ ÖBLÍTŐSZER-ADAGOLÓ FELTÖLTÉSE

Az öblítőszerezrel könnyebben SZÁRADNAK az edények.

Az öblítőszerezadagolót **A** akkor kell feltölteni, ha az **ÖBLÍTŐSZER UTÁNTÖLTÉSE** jelzőfény  világít a kezelőpanelen.



1. Nyissa ki az adagolót **B** úgy, hogy a fedélen lévő fület lenyomja, majd felfelé húzza.
2. Óvatosan öntse be az öblítőszert. Ne lépje túl a tartályban jelölt maximális mennyiséget (110 ml), és ne öntse ki a folyadékot. Ha ez mégis megtörténik, azonnal törölje fel a kiömlött folyadékot egy száraz ruhával.
3. Csukja vissza a fedelet: ehhez nyomja le, amíg kattanás nem hallatszik. **SOHA ne öntse az öblítőszert közvetlenül a mosogatótérbe.**

## AZ ÖBLÍTŐSZER ADAGOLÁSA

Ha nem elégedett a szárítási eredménnyel, módosítsa a használt öblítőszerez mennyiségét.

- Kapcsolja be a mosogatógépet a **BE/KI** gombbal.
- Kapcsolja ki a készüléket a **BE/KI** gombbal.
- Nyomja meg háromszor a **P** gombot, ekkor sípolás hallatszik.
- Kapcsolja be a készüléket a **BE/KI** gombbal.
- Az aktuálisan kiválasztott szintet jelző szám és az öblítőszerez jelzőfénye villog.
- Az adagolandó öblítőszerez mennyiségét jelző szint beállításához nyomja meg a **P** gombot.
- Kapcsolja ki a készüléket a **BE/KI** gombbal.

A beállítás megtörtént.

Ha az öblítőszerez szintjét 0-ra állítja (ÖKO), a készülék nem adagol öblítőszerez. Az **ÖBLÍTŐSZER UTÁNTÖLTÉSE** jelzőfény nem fog kigyulladni, amikor kifogy az öblítőszerez.

A mosogatógép típusától függően legfeljebb 5 szint állítható be. A gyári beállítás a modelltől függ – az adott készüléken történő meghatározáshoz kövesse a fenti utasításokat.

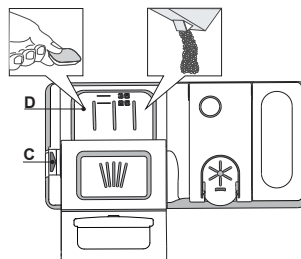
- Ha kékes csíkok jelennek meg az edényeken, alacsony értéket állítson be (1-2).
- Ha vízcsapok vagy vízkő látható az edényeken, magas értéket állítson be (3-4).

## A MOSOGATÓSZER-ADAGOLÓ FELTÖLTÉSE

**A mosogatószerez-adagoló nyitására használja az C eszközt.**

**A mosogatószerez kizárólag a száraz D adagolóba önthető.**

**Az előmosogatóshoz használt mosogatószerez közvetlenül a mosogatótérbe helyezze.**






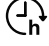




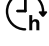




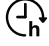





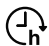

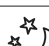
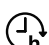


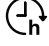

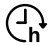

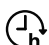
1. A mosogatószerez kimérésekor a helyes mennyiség meghatározását az eddigi információk alapján végezze. A mosogatószerez-adagoló **D** belsejében elhelyezett jelzések segítenek a megfelelő mennyiség meghatározásában.
2. Törölje le a kiömlött mosogatószerez az adagoló széléről, majd zárja vissza a fedelet kattanásig.
3. Zárja vissza a mosogatószerez-adagoló fedelét: húzza felfelé, amíg a zárszerkezet rögzül.

A mosogatószerez-adagoló automatikusan kinyílik, amikor a program az adott szakaszba ér.

Kombinált mosogatószerez használatkor javasoljuk, hogy nyomja meg a **TABLETTA** gombot. Ezzel a program úgy módosul, hogy a legjobb mosogatósi és szárítási eredményt nyújtsa.

**A nem mosogatógéphez készült mosogatószerez használata a készülék hibás működését vagy sérülését okozhatja.**

# PROGRAMTÁBLÁZAT

Program	Száritási fázis	Natural-Dry	Választható beállítások *)	A mosogatási program időtartama (óra:perc)**	Vízfogyasztás (liter/ciklus)	Energiafogyasztás (kWh/ciklus)
1. Öko ECO 50°	✓	✓	  	3:10	9,5	0,75
2. 6 <sup>th</sup> Sense 50-60°	✓	✓	 MULTI ZONE   	1:25 - 3:00	7,0 - 14,0	0,90 - 1,40
3. Intenzív 	✓	✓	 MULTI ZONE   	2:50	14,0	1,50
4. Gyors mosogatás és száritás 	✓	✓	 MULTI ZONE 	1:25	11,5	1,10
5. Kristálypohár 	✓	✓	 MULTI ZONE 	1:40	11,5	1,20
6. Gyors 30' 	-	-	 MULTI ZONE 	0:30	9,0	0,50
7. Halk 	✓	✓	 	3:30	15,0	1,15
8. Fertőtlenítő 	✓	-		1:40	10,0	1,30
9. Előmosás 	-	-	 MULTI ZONE	0:12	4,5	0,01
10. Öntisztítás 	-	-		0:50	8,0	0,85

Az ÖKO program adatainak mérése laboratóriumi körülmények között, az EN 60436:2020 európai szabvány előírásainak megfelelően történt. Megjegyzés a vizsgáló laboratóriumok számára: az EN összehasonlító vizsgálatainak körülményeivel kapcsolatos információért írjon a következő címre: [dw\\_test\\_support@europeanappliances.com](mailto:dw_test_support@europeanappliances.com).

Az edények előkezelése egyik programnál sem szükséges.

\*) Nem minden opció használható egyszerre.

\*\*) Az energiatakarékos programtól eltérő programokhoz megadott értékek csak tájékoztató jellegűek. A tényleges időtartam számos tényezőtől függ, mint például a belépő víz hőmérsékletétől és nyomásától, a helyiség hőmérsékletétől, a mosogatószer mennyiségétől, az edények mennyiségétől és típusától, a súlyelosztástól, a kiválasztott kiegészítő funkcióktól és az érzékelő kalibrációjától. Az érzékelő kalibrációja akár 20 perccel is növelheti a program hosszát.

## A PROGRAMOK BEMUTATÁSA

Utasítások a mosogatási ciklus kiválasztásához.

### 1 ÖKO

Az energiatakarékos programmal átlagosan szennyezett edényeket tisztíthat, amely a kombinált energia- és vízfogyasztása miatt a leghatékonyabb program, és a segítségével kiértékelhető, hogy a készülék megfelel-e az EU energiatakarékos kivitelre vonatkozó jogszabálynak.

### 2 6<sup>th</sup> SENSE®

Normál szennyezettségű edényekhez, melyeken rászáradt ételmaradék található. Érzékeli a szennyezettség szintjét az edényeken, és a programot ennek megfelelően állítja be. Amikor az érzékelő a szennyezettségi szintet méri fel, a kijelzőn egy animáció látható, és frissül a mosogatási ciklus időtartama.

### 3 INTENZÍV

Erősen szennyezett edényekhez ajánlott program, amely különösen serpenyőkhoz és sütőedényekhez ideális (kényes edényekhez nem használható).

### 4 GYORS MOSOGATÁS ÉS SZÁRÍTÁS

Normál mértékben szennyezett edényekhez használható. Mindennap használható program, amely rövid idő alatt optimális mosogatási és száritási eredményt nyújt.

### 5 KRISTÁLYPOHÁR

Program az olyan kényes edényekhez, melyek az átlagnál érzékenyebbek a magas hőmérsékletre (például üvegpoharak, csészék).

### 6 GYORS 30'

Program fél töltenyén szennyezett edényhez, amelyen nincs rászáradt ételmaradék. Nem rendelkezik száritási szakasszal.

### 7 HALK

Ha a készüléket éjszaka kívánja működtetni, ez a megfelelő program. Optimális mosogatási és száritási eredményt nyújt a legalacsonyabb zajszint mellett.

### 8 FERTŐTLENÍTŐ

Normál vagy erősen szennyezett edényekhez használható program, amely egy kiegészítő antibakteriális mosogatást is tartalmaz. A mosogatógép karbantartására is használható.

### 9 ELŐMOSÁS

Az edények frissítéséhez, amennyiben azokat később szeretné elmosogatni. Ehhez a programhoz nem kell mosogatószert használni.

### 10 ÖNTISZTÍTÁS

A mosogatógép karbantartására szolgáló programot csak akkor alkalmazza, ha a mosogatógép ÜRES, valamint használjon a mosogatógép karbantartására alkalmas, speciális tisztítószert.

#### Megjegyzések:

Vegye figyelembe, hogy a Gyors 30' program enyhén szennyezett edényekhez használható.

# OPCIÓK ÉS FUNKCIÓK

Az OPCIÓK kiválasztásához nyomja meg a megfelelő gombot (lásd: KEZELŐPANEL).

**Ha valamely opció nem kompatibilis a kiválasztott programmal (lásd: PROGRAMOK TÁBLÁZATA), a megfelelő LED háromszor gyorsan felvillan, és sípoló hangjelzések hallhatók. Az opció nem aktív.**

## MULTI MULTIZONE

**ZONE** Ha nincs sok mosatlan edény, vizet, áramot és mosogatószert takaríthat meg úgy, hogy fél töltséggel indítja el a készüléket. Válassza ki a programot, majd nyomja meg a MULTIZONE gombot: megjelenik a választott kosárhoz tartozó szimbólum a kijelzőn. Alapértelmezett beállításként a készülék mindkét kosárban elvégzi a mosogatást. Ha csak az egyik kosár tartalmát szeretné elmosni, nyomja meg többször a gombot:



látható a kijelzőn (csak az alsó kosár aktív)



látható a kijelzőn (csak a felső kosár aktív)



látható a kijelzőn (a beállítás KIVAN KAPCSOLVA, a készülék az összes kosár tartalmát elmossa).

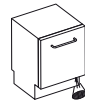
**Ne feledje, hogy elegendő csak a felső vagy az alsó kosarat megtölteni, és ennek megfelelően csökkenthető a mosogatószert mennyisége is.**

**Ha a felső kosár ki van véve, a mosogatószert közvetlenül a tartályba adagolja, ne a mosogatószert-adagolóba.**



## TABLETTA (TAB)

Ezzel a beállítással a használt mosogatószert típusának megfelelően optimalizálható a program hatékonysága. Ha tablettá formájában kombinált (öblítőt, sót és mosogatószert egyaránt tartalmazó) mosogatószert használ, nyomja meg és tartsa lenyomva a INDÍTÁS/SZÜNET gombot 3 másodpercig (kigyullad a megfelelő szimbólum). **Ha mosogatóport vagy folyékony mosogatószert használ, ezt az opciót ki kell kapcsolni.**



## MŰKÖDÉS KIJELZŐJE

A padlóra vetített LED-fény jelzi, hogy a mosogatógép működik. A következő üzemmódok választhatók ki:

- Kikapcsolt funkció.
- A ciklus indításakor a jelzőfény néhány másodpercig világít, a ciklus időtartama alatt nem világít, míg a ciklus végén villog.
- A jelzőfény a ciklus időtartama alatt világít, majd a ciklus végén villog (alapértelmezett beállítás).

Ha a késleltetett indítás aktív, a jelzés világít a visszaszámlálás első néhány másodpercében vagy a teljes hossza alatt (attól függően, hogy a b) vagy c) üzemmódot választotta).

Az ajtó nyitásakor a fény kialszik. A kívánt üzemmód kiválasztásához kapcsolja be a gépet, nyomja meg és tartsa lenyomva a **P** gombot, amíg a három betű valamelyike meg nem jelenik a kijelzőn, majd nyomja meg a **P** gombot többször egymás után, amíg meg nem jelenik a kívánt betű (vagy üzemmód). A kiválasztás megerősítéséhez tartsa lenyomva a **P** gombot.

**Megjegyzés: Ha a NaturalDry aktív és kinyitja az ajtót, a működés kijelzője nem villog a ciklus végén.**



## KÉSLELTETÉS

A program indítása **1–12** órával késleltethető.

- Nyomja meg a KÉSLELTETÉS gombot: a kijelzőn kigyullad a megfelelő „h” szimbólum; a gomb minden megnyomása után nő a beállított mosogatási ciklus indításáig hátralévő idő (1 óra, 2 óra stb., de legfeljebb 12 óra).
- Válassza ki a mosogatási programot, nyomja meg a INDÍTÁS/SZÜNET gombot, és zárja be az ajtót 4 másodpercen belül. Az időzítő elkezd a visszaszámlálást.
- A beállított idő leteltekor kialszik a „h” jelzőfény, és elindul a mosogatási ciklus.

A késleltetési idő módosításához, azaz rövidebb idő kiválasztásához nyomja meg a KÉSLELTETÉS gombot. A késleltetés törléséhez nyomja meg többször egymás után a gombot, amíg a késleltetett indításhoz tartozó „h” jelzőfény kialszik.

**A KÉSLELTETÉS funkció nem állítható be, ha a mosogatási ciklus már fut.**



## TURBO

Ezzel az opcióval a fő programok hossza lerövidíthető úgy, hogy a mosogatási és szárítási teljesítmény változatlan marad. A program kiválasztása után nyomja meg a TURBO gombot. A jelzőfény kigyullad. A beállítás törléséhez nyomja meg ismét a gombot.



## POWER CLEAN®

A nagynyomású vízugaraknak köszönhetően ez az opció intenzívebb és hatékonyabb mosogatást biztosít az alsó kosár meghatározott területén. Ez az opció lábasok és tálak mosogatásához ajánlott. A gomb megnyomásával aktiválhatja a POWER CLEAN funkciót (a jelzőfény kigyullad).

## NaturalDry

*NaturalDry* egy olyan konvekciós szárítórendszer, amely automatikusan kinyitja az ajtót a szárítási fázis közben/után a folyamatos, kiemelkedően jó szárítási eredmény érdekében. Az ajtó csak olyan hőmérsékleten nyílik ki, amely nem károsítja a konyhaszerekényeket, tehát a TURBO funkció során az ajtó nem fog kinyílni.

A gőz ellen további védelmet nyújt a mosogatógéphez mellékelte, külön erre a célra tervezett védőfólia. A védőfólia felhelyezésének lépéseit az ÜZEMBE HELYEZÉSI ÚTMUTATÓBAN találja.

A *NaturalDry* működését a felhasználó kikapcsolhatja:

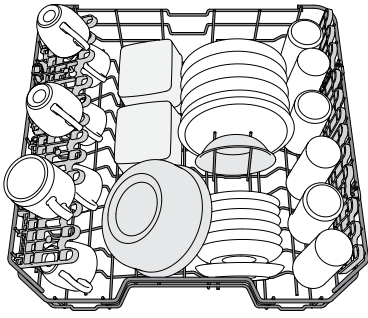
- Lépjön be a mosogatógép szoftver menüjébe a **P** gomb nyomva tartásával (kb. 6 másodpercig).
- Ekkor a Light Control (Fényszabályzás) menü nyílik meg (lásd MŰKÖDÉS KIJELZŐJE leírása). Ha nem kíván semmit átállítani, nyomja meg ismét és tartsa lenyomva a **P** gombot (amíg a három betű valamelyike meg nem jelenik a kijelzőn).
- Ekkor megjelenik a *NaturalDry* Control (*NaturalDry* vezérlés) menü, ahol a **P** gombbal ki- vagy bekapcsolhatja a *NaturalDry* funkciót:

**E** – engedélyez                      **d** – letilt

A beállítás jóváhagyásához és a menüből való kilépéshez tartsa lenyomva a **P** gombot (3 másodpercig).

# A KOSARAK MEGTÖLTÉSE

## FELSŐ KOSÁR



Ide helyezhetők a kényesebb és könnyű edények, például poharak, csészék, tálkák, kis salátástálak.

(Példa a megtöltött felső kosárra)

## A FELSŐ KOSÁR MAGASSÁGÁNAK BEÁLLÍTÁSA

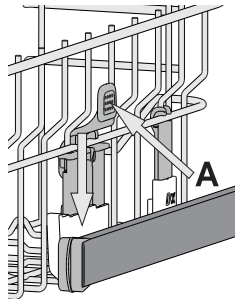
A felső kosár magassága állítható. Ha a felső állásba állítja, az alsó kosárba nagyobb edények helyezhetők; ha az alsó állásba állítja, maximálisan kihasználhatók a lehajtható rögzítőelemek: függőlegesen több hely áll rendelkezésre, és az alsó kosárba pakolt edényeknek is elegendő hely jut.

A **felső kosár magasságbeállítóval** rendelkezik (lásd az ábrát). Magasabbra állításához fogja meg a kosár két oldalát, és az emelőkarok megnyomása nélkül emelje azt feljebb. A kosár a felső helyzetbe áll.

Az alsó helyzetbe állításához nyomja meg a kosár két oldalán lévő emelőkarokat A, és tolja lefelé a kosarat.

**Kifejezetten javasoljuk, hogy ne módosítsa a kosár magasságát akkor, amikor a kosárban edények találhatók.**

**A kosár lejjebb vagy feljebb helyezésekor SOHA ne csak az egyik oldal magasságát módosítsa.**



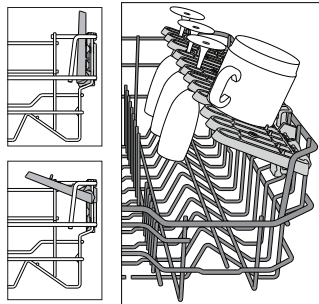
## ÁLLÍTHATÓ MAGASSÁGÚ LEHAJTHATÓ POLCOK

A kosárban lévő edények optimális elrendezése érdekében az oldalsó polcok fel- és lehajthatók.

A borospoharak biztonságosan helyezhetők a lehajtható polcokra: a poharak talpát illessze a megfelelő nyílásokba.

Készüléktípustól függően:

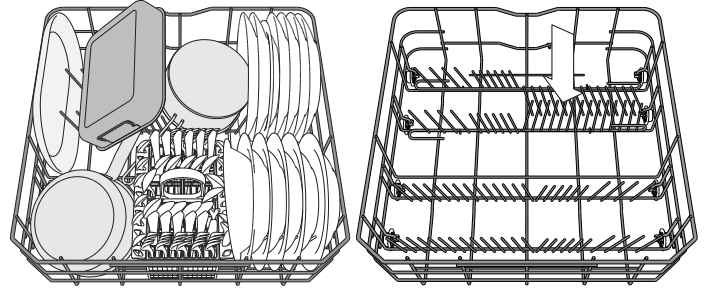
- a polcok lehajtásához csúsztassa azokat fel és forgassa el, vagy vegye ki a rögzítőkből és húzza lefelé.
- a polcok felhajtásához forgassa azokat el és csúsztassa lefelé, vagy húzza felfelé és rögzítse.



## ALSÓ KOSÁR

Ide fазekak, fedők, tányérok, salátástálak, evőeszközök stb. pakolhatók. A nagyobb tányérok és fedőket lehetőség szerint a kosár szélére helyezze, hogy biztosan ne érjenek a szórókarokhoz.

Az alsó kosár lehajtható tartóelemekkel rendelkezik: függőleges helyzetbe állítva tányérok, lábasokat pakolhat be egyszerűen.



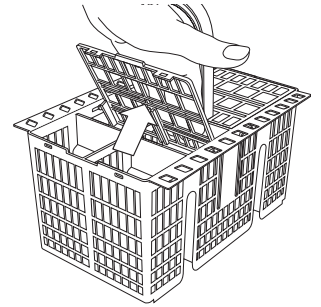
(Példa a megtöltött alsó kosárra)

## EVŐESZKÖZKOSÁR

A kosár felső ráccsal rendelkezik, melynek segítségével jobban elrendezhetők az evőeszközök.

Az evőeszközkosár kizárólag az alsó kosár elülső részére helyezhető.

**A késeket és egyéb éles eszközöket hegyükkel lefelé rakja az evőeszközkosárba, vagy helyezze azokat vízszintesen a felső kosár lehajtható tartóelemeire.**



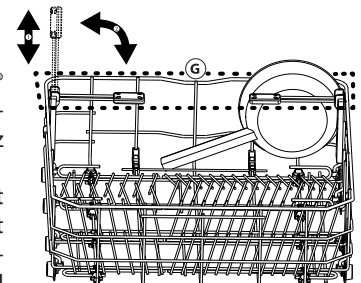
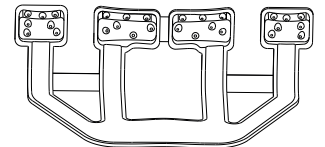
## POWER CLEAN® AZ ALSÓ KOSÁRBAN

A Power Clean® során a készülék a mosogatótér hátsó része felől érkező vízsugarak segítségével intenzíven mossa el az erősen szennyezett edényeket. Az alsó kosárban található egy ún nagyterű zóna. Ez a speciális, kihúzható tartóelem a kosár hátsó részén található, és lehetővé teszi a serpenyők és tepsik függőleges helyzetben történő elhelyezését, amivel hely takarítható meg.

Helyezze be a gépbe a fazekakat/tálakat úgy, hogy a Power Clean® berendezés felé nézzenek, majd kapcsolja be a kezelőpanelen a **POWER CLEAN** opciót.

A Power Clean® funkció használata:

1. Készítse elő a Power Clean® területet (G): hajtsa le a hátsó tányértartókat, hogy beférjenek az edények.
2. Tegye be a fazekakat és a tálakat úgy, hogy a Power Clean® terület felé dőljenek. A fazekakat a nagy nyomású vízsugarak felé kell megdönteni.



# MINDENNAPI HASZNÁLAT

## 1. ELLENŐRIZZE A VÍZBEKÖTÉST

Ellenőrizze, hogy a mosogatógép rá van-e kötve a vízhalózatra, és hogy a csap nyitva van-e.

## 2. KAPCSOLJA BE A MOSOGATÓGÉPET

Nyissa ki a készülék ajtaját, és nyomja meg a **BE/KI** gombot.

## 3. A KOSARAK MEGTÖLTÉSE (lásd: A KOSARAK MEGTÖLTÉSE)

## 4. A MOSOGATÓSZER-ADAGOLÓ FELTÖLTÉSE

## 5. A PROGRAM KIVÁLASZTÁSA ÉS A CIKLUS BEÁLLÍTÁSA

Az edények típusa és szennyezettségi szintje alapján válassza ki a leginkább megfelelő programot (lásd: PROGRAMOK ISMERTETÉSE) a **P** gombbal.

Állítsa be a kívánt opciókat (lásd: OPCÍÓK ÉS FUNKCIÓK).

## 6. INDÍTÁS

Indítsa el a programot úgy, hogy megnyomja az **INDÍTÁS/Szünet** gombot (a LED kigyullad), majd 4 másodpercen belül becsukja a készülék ajtaját. A program indítását egy hangjelzés jelzi. Ha az ajtót nem csukja be 4 másodpercen belül, riasztás hallható. Ilyenkor nyissa ki az ajtót, nyomja meg ismét az **INDÍTÁS/Szünet** gombot, majd 4 másodpercen belül csukja be az ajtót.

## 7. A MOSOGATÁSI CIKLUS VÉGE

A mosogatósi ciklus végén sípoló hangjelzések hallhatók, és a kijelzőn villogni kezd a mosogatósi ciklus száma.

Nyissa ki az ajtót, és kapcsolja ki a készüléket a **BE/KI** gombbal. Az égési sérülések elkerülése érdekében az edények kipakolása előtt várjon néhány percet. Vegye ki az edényeket. Először az alsó kosarat ürítse ki.

**Az energiafogyasztás csökkentése érdekében a készülék automatikusan kikapcsol, ha bizonyos ideig nem használják. Ha az edények enyhén szennyezettek, vagy a mosogatógépbe helyezes előtt vízzel leöblítették azokat, használjon kevesebb mosogatószert.**

## FUTÓ PROGRAM MÓDOSÍTÁSA

Ha nem megfelelő programot választott, az közvetlenül az indulás után még módosítható: nyissa ki az ajtót, és tartsa nyomva a **BE/KI** gombot, amíg a készülék kikapcsol.

Kapcsolja vissza a mosogatógépet a **BE/KI** gombbal, majd válassza ki az új mosogatósi ciklust és az esetleges opciókat. Indítsa el a programot úgy, hogy megnyomja az **INDÍTÁS/Szünet** gombot, majd 4 másodpercen belül becsukja a készülék ajtaját.

## TOVÁBBI EDÉNYEK HOZZÁADÁSA

A készülék kikapcsolása nélkül nyissa ki az ajtót. Ekkor az **INDÍTÁS/Szünet** LED villogni kezd (**vigyázzon a kicsapó FORRÓ gőzre!**), majd tegyen be további edényeket a mosogatógépbe. Nyomja meg az **INDÍTÁS/Szünet** gombot, majd 4 másodpercen belül csukja be az ajtót. A készülék onnan folytatja a mosogatósi ciklust, ahol az félbeszakadt.

## VÉLETLEN MEGSZAKÍTÁS

Ha a mosogatósi ciklus közben kinyitják az ajtót, vagy elmegy az áram, a ciklus leáll. Nyomja meg az **INDÍTÁS/Szünet** gombot, majd 4 másodpercen belül csukja be az ajtót. A készülék onnan folytatja a mosogatósi ciklust, ahol az félbeszakadt.

# TANÁCSOK ÉS TIPPEK

## TANÁCSOK

A kosarak megtöltése előtt távolítsa el az ételmaradékokat az edényekről, és ürítse ki a poharakat. **Mosogatósi előtt nem szükséges folyó vízzel leöblíteni az edényeket.**

Az edényeket úgy rendezze el, hogy biztosan álljanak, ne dőljenek el könnyen. Az edények nyílása lefelé nézzen, és a homorú/domború részek ferdén álljanak, hogy a víz mindenhova elérjen, és akadálytalanul folyhasson.

**Vigyázat!** A fedők, fogantyúk, tálak és serpenyők nem állítják meg a forgó szórókarokat.

A kisebb tárgyakat az evőeszközkosárba helyezze. Az erősen szennyezett edényeket az alsó kosárba kell helyezni, mivel ott erősebb a vízpermet, azaz jobb a mosogatósi eredmény. A készülék megtöltése után ellenőrizze, hogy a szórókarok forgását nem akadályozza-e valami.

## GÉPBE NEM MOSOGATHATÓ EDÉNYEK

- Fából készült edények és evőeszközök.
- Kényes, díszes poharak, kézműves és antik edények. Ezek a díszítések nem bírják a gépi mosogatóst.
- Szintetikus anyagból készült részek, amelyek nem bírják a magas hőmérsékletet.
- Réz- és bádagedények.
- Hamuval, viasszal, kenőzsírral vagy tintával szennyezett edények.

A poharakon lévő díszítés és az alumínium- vagy ezüstedények színe megváltozhat, kifakulhat a mosogatósi során. Egyes üvegtípusok (pl. kristályüveg) néhány mosogatósi ciklus után homályossá válhatnak.

## A POHARAK ÉS AZ EDÉNYEK KÁROSODÁSA

- A készülékbe kizárólag olyan üveg- és porcelánedények helyezhetők, amelyek a gyártó állítása szerint mosogatógépben mosogathatók.
- Az edényekhez megfelelő, kémálló mosogatószert használjon.
- Az edényeket és az evőeszközöket a mosogatósi ciklus végeztével azonnal vegye ki a mosogatógépbe.

## A POHARAK ÉS AZ EDÉNYEK KÁROSODÁSA

- Ha a háztartási mosogatógépet a gyártó utasításainak megfelelően használják, **az edények mosogatógépben történő mosogatása általában KEVESEBB ENERGIÁT és vizet igényel, mint a kézi mosogatósi.**
- A mosogatógép hatékonyságának maximalizálásához javasolt **a mosogatósi programot a mosogatógép teljes betöltése után indítani.** Ha a háztartási mosogatógépet a gyártó által jelzett kapacitásig tölti fel, azzal energiát és vizet takaríthat meg. Az edények helyes betöltésével kapcsolatos információt a **KOSARAK MEGRAKODÁSA** című fejezetben talál. Részleges betöltés esetén javasolt a megfelelő mosogatósi beállítást (Fél töltet / Zónamosogatósi / Multizone) használni, ha lehetséges, csak a kijelölt kosarakat használva. A mosogatógép helytelen betöltése vagy túltöltése fokozhatja az erőforrások (például víz, energia és idő) felhasználását, megnövelheti a zajszintet, és csökkentheti a mosogatósi és szárítási teljesítményt.
- Az edények manuális előöblítése megnövekedett víz- és energiafogyasztást eredményezhet, és nem javasolt.

## HIGIÉNYIA

A mosogatógépben keletkező kellemetlen szag és lerakódások elkerülése érdekében legalább havonta egyszer futtasson le egy magas hőmérsékletű programot. Használjon egy teáskanál mosogatószert, és a készülék tisztításához futtassa le a programot edények nélkül.

# ÁPOLÁS ÉS KARBANTARTÁS

## A SZŰRŐEGYSÉG TISZTÍTÁSA

Rendszeresen tisztítsa ki a szűrőegységet, így megelőzhető a szűrők eltömődése, és a víz szabadon tud távozni.

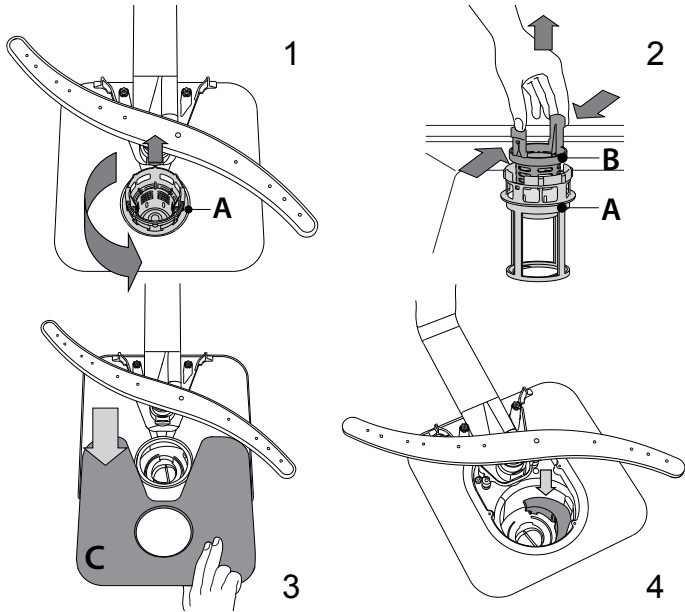
Ha a mosogatógép használata során a szűrők el vannak tömődve, illetve ha a szűrőrendszerben vagy a szórókarokban tárgyak vannak, az a berendezés nem megfelelő működését okozhatja, ami a teljesítmény csökkenését, zajos működést vagy nagyobb erőforrás-felhasználást eredményezhet.

A szűrőegység három szűrőből áll, amelyek eltávolítják az ételmaradékokat a mosogatóvízből, majd visszaforgatják a vizet.

**A mosogatógép nem használható szűrők nélkül vagy meglazult szűrővel.**

Havonta legalább egyszer vagy 30 programonként ellenőrizze a szűrőegységet, és szükség esetén tisztítsa meg alaposan folyó víz alatt, nemfémes kefével, az alábbi utasításoknak megfelelően:

1. Forgassa a henger alakú szűrőt **A** az óramutató járásával ellentétes irányba, majd húzza ki (1. ábra).
2. Vegye ki a kehely alakú szűrőt **B** úgy, hogy enyhén megnyomja az oldalsó füleket (2. ábra).
3. Csúsztassa ki a rozsdamentes acélból készült szűrőlemezt **C** (3. ábra).
4. Ha idegen tárgyat (például törött üveget, porcelánt, csontot, gyümölcsmagot stb.) talál, **óvatosan távolítsa el azt**.
5. Ellenőrizze a szűrőrészt, és távolítsa el az ételmaradékokat. **SOHA NE TÁVOLÍTSA EL** a mosogatóciklust végző pumpa védőfedelét (feketével jelölve) (4. ábra)!



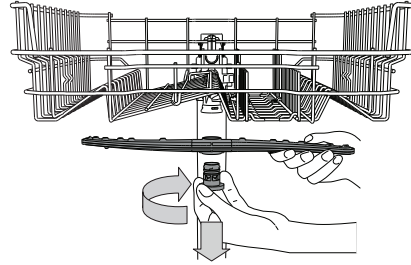
A szűrők tisztítása után helyezze vissza a szűrőegységet, és rögzítse megfelelően a helyére. Ez elengedhetetlen a mosogatógép hatékony működéséhez.

## A VÍZBEVEZETŐ TÖMLŐ TISZTÍTÁSA

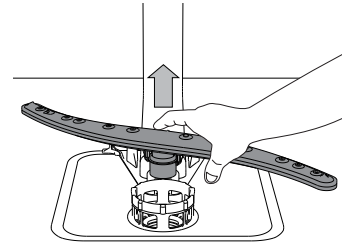
Ha a víztömlők újak, vagy azokat hosszabb ideig nem használták, a csatlakoztatás előtt folyasson át rajtuk vizet, hogy biztosan tiszták és szennyezédtől mentesek legyenek. Ha nem végzi el ezt az óvintézkedést, a vízbevezető tömlő eltömődhet, és károsíthatja a mosogatógépet.

## A SZÓRÓKAROK TISZTÍTÁSA

Időnként ételmaradék száradhat a szórókarokra, és eltömítheti a víz permetezésére szolgáló nyílásokat. Ezért javasoljuk, hogy rendszeresen ellenőrizze a szórókarokat, és tisztítsa meg azokat egy kisméretű, nemfémes kefével.



A felső szórókar leszereléséhez forgassa el a műanyag rögzítőgyűrűt az óramutató járásával megegyező irányba. A felső szórókar visszahelyezésekor ügyeljen arra, hogy a több nyílást tartalmazó oldala nézzen felfelé.



Az alsó szórókart felfelé húzva lehet kivenni a helyéről.

## VÍZLÁGYÍTÓ RENDSZER

A vízlágyító rendszer automatikusan csökkenti a víz keménységét, így megelőzve a vízkő felhalmozódását a fűtőszálon, így jobb mosogatási hatékonyságot biztosítva.

**A rendszer sóval regenerálja magát, ezért a sótárolót kiürülés esetén fel kell tölteni.**



A regenerálás gyakorisága a vízkeménység szintjének beállításától függ - a regenerálás **6** Eco ciklusként történik meg **3**-ra állított vízkeménység szinttel.

A regenerálás a végső öblítés közben kezdődik, és a szárítási fázisban, a program vége előtt fejeződik be.

- Egyetlen regenerálás során a készülék: ~3,5 l vizet használ fel;
- A program 5 perccel tovább tart;
- Kevesebb, mint 0,005 kWh energiát használ fel.

# HIBAELEHÁRÍTÁS

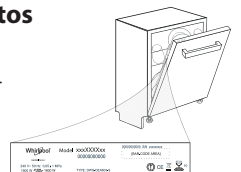
Ha a mosogatógép nem megfelelően működik, ellenőrizze, hogy a probléma javítható-e az alábbi lista lépéseinek végrehajtásával. Más hibák vagy problémák esetében lépjen kapcsolatba a hivatalos vevőszolgálattal, amelynek kapcsolattartási adatai a garanciafüzetben találhatóak. A pótalkatrészek akár 7, akár 10 évig is rendelkezésre állnak, az adott rendelet követelményeinek megfelelően.

HIBA	LEHETSÉGES OK	MEGOLDÁS
 A só jelzőfényje ég	A sótartály üres. (A sótartály feltöltése után előfordulhat, hogy néhány mosogatási programon keresztül a sószint jelzőfényje tovább világít).	Töltse fel a tartályt sóval (további tudnivalók: 2. oldal). Állítsa be a vízkeménységet. Lásd a 2. oldalon található táblázatot.
 Az öblítőszer jelzőfényje ég	Az öblítőszer adagolója üres. (Az öblítőszer tartály feltöltése után előfordulhat, hogy néhány mosogatási programon keresztül az öblítőszer szintjének jelzőfényje tovább világít).	Töltse fel az adagolót öblítőszerrel (további tudnivalók: 2. oldal).
A mosogatógép nem indul vagy nem reagál a parancsokra.	Nem megfelelően csatlakoztatta a készüléket. Áramkimaradás. Nincs bezárva a mosogatógép ajtaja. A NaturalDry-fül nincs bepattintva. Az ajtó nyitása miatt a program félbeszakad > 4 másodpercre. A készülék nem reagál a parancsokra. A kijelzőn olvasható felirat: Az <b>9</b> vagy <b>12</b> és a BE/KI LED gyorsan villog.	Csatlakoztassa a dugót a hálózati aljzatba. A mosogatógép biztonsági okokból nem indul újra automatikusan az áramszolgáltatás visszatértekor. Nyissa ki a mosogatógép ajtaját, nyomja meg az INDÍTÁS/Szünet gombot, majd 4 másodpercen belül csukja be az ajtót. Erőteljesen nyomja be az ajtót, amíg kattantást nem hall. Nyomja meg az INDÍTÁS/Szünet gombot, és csukja be az ajtót 4 másodpercen belül.
A mosogatógép túl hangosan működik. A kijelzőn olvasható felirat: Az <b>3</b> és a BE/KI LED gyorsan villog.	Még tart a mosogatási ciklus. Meghajlott a leeresztőtömlő. Eltömődött a mosogató lefolyócsöve. Az ételmaradékok eltömítették a szűrőt.	Várja meg, amíg a mosogatási ciklus véget ér. Ellenőrizze, hogy nem hajlott-e meg a leeresztőtömlő (lásd BESZERELÉSI ÚTMUTATÓ). Tisztítsa meg a mosogató lefolyócsövét. Tisztítsa ki a szűrőt (lásd A SZÜRŐEGYSÉG TISZTÍTÁSA).
A mosogatógép túl hangosan működik.	Az edények egymáshoz ütődnek. Túl sok hab képződött.	Az edényeket megfelelően rendezze el (lásd A KOSARAK MEGTÖLTÉSE). Nem megfelelően mérte ki a mosogatószert, vagy az nem használható mosogatógépben (lásd A MOSOGATÓSZER-ADAGOLÓ FELTÖLTÉSE). Indítsa el újra az aktuális programot a BE/KI gombbal, majd kapcsolja be ismét a készüléket, válasszon egy új programot, nyomja meg az INDÍTÁS/Szünet gombot, és csukja be az ajtót 4 másodpercen belül. Ne töltsön bele mosogatószert.
Az edények nem tiszták.	Nem megfelelően rendezte el az edényeket. A szűrőkarok nem forognak szabadon, mivel az edények útban vannak. A mosogatási ciklus túlzottan kímélő. Túl sok hab képződött. Nem megfelelően zárta vissza az öblítőszer rekeszének kupakját. A szűrő szennyezett vagy eltömődött. Kifogyott a só.	Az edényeket megfelelően rendezze el (lásd A KOSARAK MEGTÖLTÉSE). Az edényeket megfelelően rendezze el (lásd A KOSARAK MEGTÖLTÉSE). Válasszon megfelelő mosogatási ciklust (lásd: PROGRAMOK TÁBLÁZATA). Nem megfelelően mérte ki a mosogatószert, vagy az nem használható mosogatógépben (lásd A MOSOGATÓSZER-ADAGOLÓ FELTÖLTÉSE). Zárja vissza az öblítőszer-adagoló kupakját. Tisztítsa ki a szűrőegységet (lásd ÁPOLÁS ÉS KARBANTARTÁS). Töltse fel a tartályt (lásd A SÓTARTÁLY FELTÖLTÉSE).
A készülék nem vesz fel vizet. A kijelzőn olvasható felirat: Az <b>H</b> , <b>6</b> és a BE/KI LED gyorsan villog.	Nem jön víz a vízvezetékbe, vagy el van zárva a vízcsap. Meghajlott a vízbevezető tömlő. Eltömődött a vízbevezető tömlőben lévő szűrő; ki kell tisztítani.	Ellenőrizze, hogy jön-e víz a vízvezetékbe, és a vízcsap nyitva van-e. Ellenőrizze, hogy nincs-e megtörve a vízvezető tömlő (lásd: ÜZEMBE HELYEZÉS), állítsa be újra a mosogatógépet, majd indítsa újra. Az ellenőrzés és a tisztítás után kapcsolja ki, majd be a mosogatógépet, és indítson el egy új programot.
A mosogatógép idő előtt befejezi a programot. A kijelzőn olvasható felirat: Az <b>15</b> és a BE/KI LED gyorsan villog.	A leeresztőtömlő túl alacsonyra van pozicionálva, vagy háztartási szennyvízelvezető rendszerbe vezet le. Levegő van a vízrendszerben.	Ellenőrizze, hogy a leeresztőtömlő vége megfelelő magasságban van-e (lásd: ÜZEMBE HELYEZÉS). Ellenőrizze a levezetést a háztartási szennyvízelvezető rendszerbe, és ha szükséges, szereljen be légbevezető szelepet. Ellenőrizze, hogy a vízrendszer nem szivárog-e, illetve más probléma miatt nem jut-e be levegő.

**A szabályzatok, a szabványos dokumentáció, a tartalékalkatrészek rendelése és a termékkel kapcsolatos további információk az alábbi elérhetőségeken találhatóak:**



- Látogasson el a [docs.whirlpool.eu/docs](https://docs.whirlpool.eu/docs) and [parts-selfservice.europeanappliances.com](https://parts-selfservice.europeanappliances.com) weboldalra QR-kód használatával
- Vagy vegye fel a kapcsolatot a vevőszolgálattal (a telefonszámot lásd a garanciafüzetben). Amennyiben a vevőszolgálathoz fordul, kérjük, adja meg a termék adattábláján feltüntetett kódokat. A modell adataihoz olvassa be az energiafogyasztást jelölő címkén található QR-kódot. A címkén található modellazonosító segítségével használható a regisztrációs portál <https://eprel.ec.europa.eu>



**400011452739B**

12/2024 ks - Xerox Fabriano



# SNELLE REFERENTIEGIDS HANDLEIDING



**DANK U WEL VOOR UW AANKOOP VAN EEN WHIRLPOOL PRODUCT.**

Voor verdere assistentie kunt u het apparaat registreren op:  
[www.whirlpool.eu/register](http://www.whirlpool.eu/register)

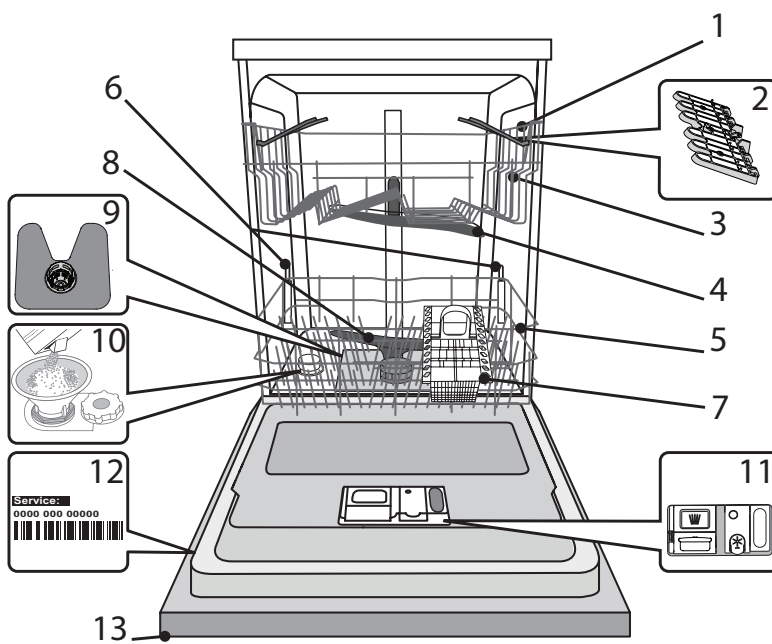


U kunt de Veiligheidsaanwijzingen en de Gebruiker-handleiding, downloaden van onze website [docs.whirlpool.eu](http://docs.whirlpool.eu), volg de Aanwijzingen achteraan deze handleiding.

**Voordat u het apparaat gebruikt leest u de Veiligheidsvoorschriften zorgvuldig door.**

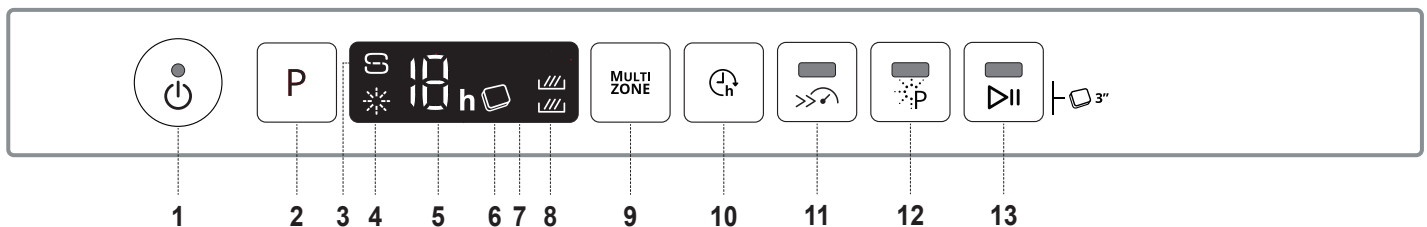
## PRODUCTBESCHRIJVING

### APPARAAT



1. Bovenste rek
2. Opvouwbare kleppen
3. Afsteller hoogte bovenste rek
4. Bovenste sproeierarm
5. Onderste rek
6. Power Clean®-ondersteuning
7. Bestekkorf
8. Onderste sproeierarm
9. Filtersysteem
10. Zoutreservoir
11. Doseerbakjes vaatwasmiddel en glansspoelmiddel
12. Typeplaatje
13. Bedieningspaneel

### BEDIENINGSPANEEL



1. Aan-Uit/Reset-toets met controlelampje
2. Programmakeuzetoets
3. Controlelampje zout bijvullen
4. Controlelampje bijvullen glansspoelmiddel
5. Nummer programma en controlelampje tijd van uitstel
6. Controlelampje tablet (tab)
7. Display
8. Controlelampje Multizone
9. Multizone toets
10. Uitstel toets
11. Turbo toets met controlelampje
12. Power Clean® toets met controlelampje
13. Start/Pauze-toets met controlelampje/ Tablet (Tab)

# EERSTE GEBRUIK

## ZOUT, GLANSSPOELMIDDEL EN VAATWASMIDDEL

### ADVIES MET BETREKKING TOT HET EERSTE GEBRUIK

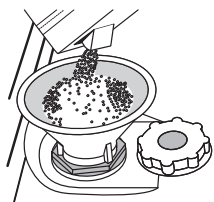
Verwijder na het installeren de stoppen uit de rekken en de elastische borgelementen uit het bovenste rek.

### HET ZOUTRESERVOIR BIJVULLEN

MHet gebruik van zout voorkomt de vorming van KALKAANSLAG op het vaatwerk en op de functionele onderdelen van de machine.

- Het is noodzakelijk dat **HET ZOUTRESERVOIR NOOIT LEEG IS**.
- Het is belangrijk dat de hardheid van het water wordt ingesteld.

Het zoutreservoir bevindt zich in het onderste deel van de afwasmachine (zie **PRODUCTBESCHRIJVING**) en moet worden gevuld wanneer het **controlelampje ZOUT BIJVULLEN** in het bedieningspaneel brandt.



1. Verwijder het onderste rek en draai de dop van het reservoir los (linksom).
2. **Alleen de eerste maal dat u dit doet: vul het zoutreservoir met water.**
3. Plaats de trechter (zie afbeelding) en vul het zoutreservoir tot aan de rand (ongeveer 1 kg); het is niet ongebruikelijk dat er een beetje water uit lekt.
4. Verwijder de trechter en veeg alle zoutresten weg van de opening.

Zorg ervoor dat de dop strak is aangedraaid, zodat geen vaatwasmiddel in de container kan komen tijdens het wasprogramma (dit kan de waterontharder onherstelbaar beschadigen).

**Wanneer u zout moet toevoegen, is u verplicht om de procedure helemaal uit te voeren alvorens de wascyclus te starten om corrosie te voorkomen.**

### DE WATERHARDHEID INSTELLEN

Als u de waterontharder perfect wilt laten werken is het essentieel dat de instelling van de waterhardheid is gebaseerd op de werkelijke waterhardheid in uw huis. Deze informatie kan bij uw lokale waterleverancier worden opgevraagd.

De fabriek stelt de defaultwaarde voor de waterhardheid in.

- Het apparaat inschakelen door op de toets **AAN/UIT** te drukken.
- Het apparaat uitschakelen door op de toets **AAN/UIT** te drukken.
- De toets **P** 5 seconden ingedrukt houden totdat u een piep hoort.
- Het apparaat inschakelen door op de toets **AAN/UIT** te drukken.
- Het huidige niveaunummer van de selectie en het controlelampje van het zout knipperen allebei.
- De toets **P** indrukken om het gewenste hardheidsniveau te selecteren (zie **TABEL WATERHARDHEID**).

Tabel waterhardheid			
Niveau	°dH Duitse graden	°fH Franse graden	°Clark Engelse graden
1	Zacht	0 - 6	0 - 10
2	Gemiddeld	7 - 11	11 - 20
3	Gemiddeld	12 - 16	21 - 29
4	Hard	17 - 34	30 - 60
5	Zeer hard	35 - 50	61 - 90

- Het apparaat uitschakelen door op de toets **AAN/UIT** te drukken.

Instellen is voltooid!

Zodra deze procedure voltooid is voert u een programma zonder lading uit.

**Gebruik alleen zout dat speciaal voor afwasmachines is bestemd.**

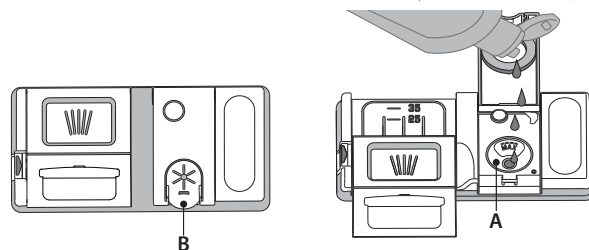
Wanneer het zout in de machine is gestrooid wordt het lampje **ZOUT BIJVULLEN** uitgeschakeld.

**Als het zoutreservoir niet gevuld wordt, kunnen de waterverzachter en het verwarmingselement beschadigd raken als gevolg van de accumulatie van ketelsteen.**

**Het gebruik van zout wordt aanbevolen met elk type vaatwasmiddel.**

### HET GLANSSPOELMIDDELRESERVOIR BIJVULLEN

Glansspoelmiddel maakt het DROGEN van de vaat gemakkelijker. Het glansspoelmiddelreservoir **A** moet worden gevuld wanneer het **controlelampje GLANSSPOELMIDDEL BIJVULLEN** op het display brandt.



1. Open het doseerbakje B door de tab op het deksel in te drukken en omhoog te trekken.
2. Het glansspoelmiddel zorgvuldig inbrengen tot aan de maximum (110 ml) insteekgleuf van de vulruimte - voorkom morsen. Wanneer dit gebeurt het gemorste glansspoelmiddel onmiddellijk met een droge doek reinigen.
3. Om het te sluiten het deksel naar beneden drukken totdat u een klik hoort.

**Het glansspoelmiddel NOOIT rechtstreeks in de kuip gieten.**

### DE DOSERING GLANSSPOELMIDDEL AANPASSEN

Als u niet volledig tevreden bent over de droogresultaten kunt u de gebruikte hoeveelheid glansspoelmiddel aanpassen.

- De afwasmachine inschakelen met de toets **AAN/UIT**.
- Uitschakelen met de toets **AAN/UIT**.
- Driemaal op de toets **P** drukken - er klinkt een pieptoon.
- Inschakelen met de toets **AAN/UIT**.
- Het huidige niveaunummer van de selectie en het controlelampje van het glansspoelmiddel knipperen.
- De toets **P** indrukken om het niveau van het te leveren glansspoelmiddel te selecteren.
- Uitschakelen met de toets **AAN/UIT**

Instellen is voltooid!

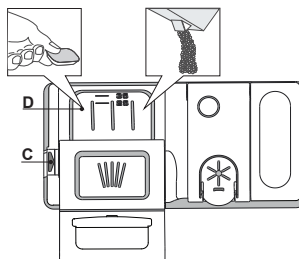
Als het niveau van het glansspoelmiddel is ingesteld op NUL (ECO) zal geen glansspoelmiddel worden afgegeven. Het controlelampje **LAAG GLANSSPOELMIDDEL** zal niet branden als het glansspoelmiddel op is.

Er kan een maximum van 5 niveaus worden ingesteld, afhankelijk van het model afwasmachine. De fabriekinstelling is specifiek voor het model. Volg de bovenstaande instructies om te controleren of dat ook voor uw machine geldt.

- Als u blauwe strepen op het vaatwerk ziet stel dan een laag getal in (1-2).
- Als er druppels water of kalkaanslag op het vaatwerk zijn stel dan een hoog getal in (3-4).

### HET VAATWASMIDDELDOSEERBAKJE VULLEN

**Gebruik de opening apparaat C om het vaatwasmiddeldoseerbakje te openen. Het vaatwasmiddel alleen in het droge doseerbakje D invoeren. Plaats de hoeveelheid vaatwasmiddel voor voorspoelen direct in de kuip.**



1. Raadpleeg bij het afmeten van het vaatwasmiddel de eerder vermelde informatie om de juiste hoeveelheid toe te voegen. In het doseerbakje **D** vindt u de aanwijzingen voor het doseren van het vaatwasmiddel.
2. Verwijder de resten vaatwasmiddel van de randen van het doseerbakje en sluit het deksel totdat het klikt.
3. Sluit het deksel van het vaatwasmiddeldoseerbakje door het omhoog te trekken tot het sluitingsmechanisme is vastgezet.

Het vaatwasmiddeldoseerbakje opent automatisch op het juiste moment, volgens het programma. Bij gebruik van alles-in-één vaatwasmiddelen is het raadzaam om de toets **TABLET** te gebruiken, omdat het programma dan zodanig wordt aangepast dat de beste was- en droogresultaten worden bereikt.

**Het gebruik van vaatwasmiddelen die niet bedoeld zijn voor vaatwasmachines kan de slechte werking van het apparaat veroorzaken of het beschadigen.**

# PROGRAMMATABEL

Programma	Drogen fase	NaturalDry	Beschikbare functies *)	Duur van wasprogramma (h:min) <sup>*)</sup>	Waterverbruik (liter/ cyclus)	Energieverbruik (kWh/ cyclus)
1. Eco ECO 50°	✓	✓		3:10	9,5	0,75
2. 6 <sup>th</sup> Sense 6 <sup>th</sup> sense 50-60°	✓	✓	MULTI ZONE	1:25 - 3:00	7,0 - 14,0	0,90 - 1,40
3. Intensief 65°	✓	✓	MULTI ZONE	2:50	14,0	1,50
4. Snel wassen en drogen 50°	✓	✓	MULTI ZONE	1:25	11,5	1,10
5. Kristallen 45°	✓	✓	MULTI ZONE	1:40	11,5	1,20
6. Snel 30' 50°	-	-	MULTI ZONE	0:30	9,0	0,50
7. Stil 50°	✓	✓		3:30	15,0	1,15
8. Desinfecterende 65°	✓	-		1:40	10,0	1,30
9. Voorspoelen -	-	-	MULTI ZONE	0:12	4,5	0,01
10. Zelfreinigend 65°	-	-		0:50	8,0	0,85

De gegevens van het ECO-programma worden gemeten onder laboratoriumomstandigheden, volgens de Europese norm EN 60436:2020.

Aanwijzing voor de Proeflaboratoria: Voor gedetailleerde informatie over de omstandigheden van de EN-vergelijkingsproef kunt u contact opnemen met: [dw\\_test\\_support@europeanappliances.com](mailto:dw_test_support@europeanappliances.com)

Voorbehandeling van het vaatwerk vóór de programma's is niet nodig.

\*) Niet alle opties kunnen tegelijkertijd gebruikt worden.

\*\*) Waarden aangegeven voor andere programma's dan het Eco-programma zijn slechts indicatief. De werkelijke tijd is afhankelijk van vele factoren, zoals de temperatuur en de druk van het toevoerwater, de kamertemperatuur, hoeveelheid vaatwasmiddel, de hoeveelheid en soort lading, evenwicht van de lading, extra gekozen opties en de kalibratie van de sensor. De kalibratie van de sensor kan de duur van het programma met max. 20 min. verlengen.

## BESCHRIJVING PROGRAMMA'S

### Instructies over het selecteren van het wasprogramma.

#### 1 ECO

Het Eco-programma is geschikt voor het reinigen van normaal vervuild vaatwerk, dat voor dit gebruik het meest efficiënte programma is wat betreft de combinatie van energie- en waterverbruik en in overeenstemming is met de Europese Ecodesign-wetgeving.

#### 2 6<sup>th</sup> SENSE

Voor normaal vervuilde vaat met opgedroogde etensresten. Meet de mate van vervuiling van het serviesgoed af en past het programma dienovereenkomstig aan. Wanneer de sensor de mate van vervuiling meet, verschijnt er een animatie in de display en wordt de cyclusduur aangepast.

#### 3 INTENSIEF

Aanbevolen programma voor sterk vervuild serviesgoed, met name geschikt voor pannen en koekenpannen (mag niet gebruikt worden voor kwetsbare stukken).

#### 4 SNEL WASSEN EN DROGEN

Normaal vervuild serviesgoed. Dagelijkse cyclus, die een optimale reinigende en drogende werking in kortere tijd garandeert.

#### 5 KRISTALLEN

Programma voor kwetsbare stukken die gevoeliger zijn voor hoge temperaturen, bijvoorbeeld glazen en kopjes.

#### 6 SNEL 30'

Programma dat kan worden gebruikt voor een halve lading licht vervuilde vaat zonder opgedroogde etensresten. Heeft geen droogfase.

#### 7 STIL

Geschikt voor werking van het apparaat in de nacht. Garandeert een optimale reinigende en drogende werking met de laagste geluidsemisatie.

#### 8 DESINFECTERENDE

Normally or heavily soiled crockery, with additional antibacterial wash. Can be used to perform maintenance of the dishwasher.

#### 9 VOORSPOELEN

Gebruikt om servies vochtig te houden dat later gewassen moet worden. Met dit programma wordt er geen vaatwasmiddel gebruikt.

#### 10 ZELFREINIGEND

Programma te gebruiken voor het onderhoud van de afwasmachine, wordt enkel uitgevoerd wanneer de afwasmachine LEEG is met gebruik van specifieke reinigingsmiddelen die speciaal ontworpen zijn voor het onderhoud van de afwasmachine

#### Opmerkingen:

Gelieve er rekening mee te houden dat de cyclus *Snel 30'* bedoeld is voor licht vervuilde vaat.

# OPTIES EN FUNCTIE

OPTIES kunnen direct worden geselecteerd door het indrukken van de daarbij behorende toets (zie *BEDIENINGSPANEEL*).

**Als een optie niet compatibel is met het geselecteerde programma (zie *PROGRAMMATABEL*) gaat de bijbehorende LED 3 keer snel knipperen en klinken er pieptonen. De optie wordt niet ingeschakeld.**

## MULTI MULTIZONE

**ZONE** Als er niet veel vaatwerk is kan er een programma «halve lading» worden gebruikt, om water, elektriciteit en vaatwasmiddel te besparen.

Selecteer het programma en druk daarna op de MULTIZONE-toets: het symbool van het gekozen rek verschijnt op het display. Standaard wast het apparaat vaatwerk in alle rekken. Druk herhaaldelijk op deze toets om alleen in een bepaald rek af te wassen:



verschijnt op het display (alleen onderste rek)



verschijnt op het display (alleen bovenste rek)



verschijnt op het display (optie is uitgeschakeld en het apparaat wast het vaatwerk in alle rekken).

**Vergeet niet om alleen het bovenste of onderste rek te laden en de hoeveelheid vaatwasmiddel dienovereenkomstig te verlagen. Als het bovenste rek is verwijderd, breng dan het vaatwasmiddel rechtstreeks in de kuip aan in plaats van in het vaatwasmiddelreservoir.**

## UITSTEL

De starttijd van het programma kan worden uitgesteld voor een periode tussen **1** en **12** uur.

1. De UITSTEL-toets indrukken: het overeenkomstige symbool «h» verschijnt op het display; telkens wanneer u de toets indrukt zal de tijd (1u, 2u, enz. tot max. 12 u) vanaf het begin van het geselecteerde wasprogramma worden verhoogd.
2. Kies het wasprogramma, druk op de toets START/PAUZE en sluit binnen 4 seconden de deur: de timer begint met aftellen.
3. Wanneer de tijd verstreken is, wordt het controlelampje «h» uitgeschakeld en begint het wasprogramma.

Druk op de UITSTEL-toets om de uitsteltijd aan te passen en een kortere periode te selecteren. Om te wissen, druk de toets herhaaldelijk in totdat het controlelampje «h» van de gekozen uitstelstart wordt uitgeschakeld.

**Wanneer er een wasprogramma is gestart, kan de UITSTEL-functie niet meer worden ingesteld.**

## TURBO

Deze optie kan worden gebruikt om de duur van de hoofdprogramma's te verlagen, met behoud van dezelfde was- en droogprestaties.

Druk na het selecteren van het programma op de TURBO-toets en het controlelampje wordt ingeschakeld. Druk dezelfde toets opnieuw in om de optie uit te schakelen.

## POWER CLEAN®

Dankzij de extra krachtige stralen biedt deze functie een intensievere en krachtigere afwasprogramma op de betreffende plek in het onderste rek. Deze functie wordt aanbevolen voor het afwassen van pannen en ovenschalen. Druk op deze toets om POWER CLEAN te activeren (het controlelampje gaat branden).

## TABLET (Tab)

Met deze instelling kan de prestatie van het programma geoptimaliseerd worden, aan de hand van het afwasmiddel dat gebruikt wordt.

Druk de toets START/PAUZE gedurende 3 seconden in (het bijbehorende symbool gaat branden) als u gecombineerde vaatwasmiddelen in tabletvorm gebruikt (glansspoelmiddel, zout en wasmiddel in 1 dosis).

**Als u poeder of vloeibaar afwasmiddel gebruikt moet deze optie worden uitgeschakeld.**



## BEDRIJFSCONTROLELAMPJE

Er wordt LED-licht op de vloer geprojecteerd om aan te geven dat de afwasmachine in bedrijf is. Er kan een van de volgende bedrijfsmodussen worden geselecteerd:

- a) Uitgeschakelde functie.
- b) Wanneer de cyclus begint gaat het licht een paar seconden aan, blijft tijdens de cyclus uit en knippert op het einde van de cyclus.
- c) Het licht blijft tijdens de cyclus branden en knippert op het einde van de cyclus (standaard modus).

Als de uitgestelde start was ingesteld gaat het licht voor de eerste paar seconden aan of voor de gehele duur van het aftellen, op basis van of de modus b) of c) was ingesteld.

Telkens wanneer de deur wordt geopend gaat het licht uit. Voor het selecteren van de gewenste modus de machine inschakelen, de toets **P** ingedrukt houden totdat een van de drie letters op het display verschijnt, de toets **P** indrukken totdat u de gewenste letter (of modus) bereikt, de toets **P** i.

**Opmerking: Als NaturalDry actief is en de deur opent, zal de werkingsindicator niet knipperen aan het einde van de cyclus.**

## NaturalDry

*NaturalDry* is een convectiedroogstelsel dat de deur tijdens/na de droogfase automatisch opent om elke dag voor buitengewone droogprestaties te zorgen. De deur gaat open wanneer de temperatuur veilig is voor uw keukenmeubelen, de deur gaat bijgevolg niet open wanneer de optie TURBO ingeschakeld is.

Als extra bescherming tegen stoom wordt een speciaal ontworpen beschermingsfolie geleverd met de vaatwasser. Raadpleeg de *INSTALLATIEGIDS* om te zien hoe u de beschermingsfolie aanbrengt.

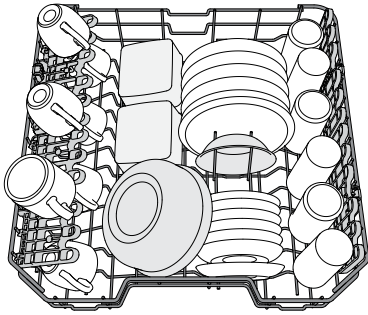
De *NaturalDry*-functie kan door de gebruiker als volgt worden uitgeschakeld:

1. Ga naar het software-menu van de afwasmachine door de knop **P** ingedrukt te houden (6 sec).
2. U bevindt zich eerst in het lichtregelingsmenu (raadpleeg de beschrijving van *BEDRIJFSCONTROLELAMPJE*). Als u niets wilt wijzigen, houd dan de knop **P** ingedrukt (tot een van de twee letters op het display verschijnt).
3. U bent overgeschakeld naar het *NaturalDry*-bedieningsmenu. U kunt de status van de *NaturalDry*-functionaliteit wijzigen door op de knop **P** te drukken:  
**E** – ingeschakeld                      **d** – uitgeschakeld

Om de wijziging te bevestigen en het bedieningsmenu te verlaten, houd de knop **P** ingedrukt (3 sec).

# REKKEN VULLEN

## BOVENSTE REK



(laadvoorbeeld voor het bovenste rek)

Laden van kwetsbaar en licht vaatwerk: glazen, kopjes, schoteltjes, lage saladekommen.

### DE HOOGTE VAN HET BOVENSTE REK AFSTELLEN

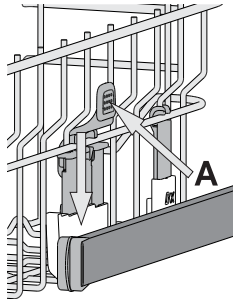
De hoogte van het bovenste rek kan worden afgesteld: hoge stand voor groot serviesgoed in de onderste mand en lage stand om optimaal gebruik te maken van de opklapbare steunen, door het creëren van meer ruimte naar boven en botsen met de items die in het onderste rek zijn geladen te voorkomen.

Het bovenste rek is uitgerust met een **hoogteversteller bovenste rek** (zie afbeelding), zonder op de hefboomen te hoeven drukken, opheffen door gewoon de zijkanten van het rek vast te houden, zodra het rek stabiel in de bovenste positie staat.

Voor herstellen naar de lagere positie op de hefboomen **A** aan de zijkanten van het rek drukken en de mand naar beneden verplaatsen.

**Het is raadzaam de hoogte van het rek niet aan te passen wanneer het is geladen.**

**NOOIT de mand slechts aan één kant verhogen of verlagen.**



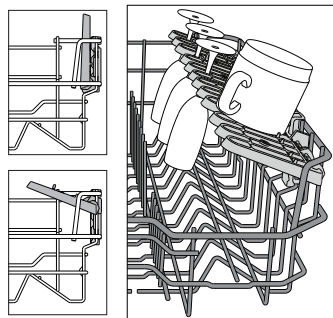
### OPVUWBARE KLEPPEN MET VERSTELBARE STAND

De opvouwbare kleppen aan de zijkant kunnen worden opgevouwen of opgevouwen voor een optimale rangschikking van het serviesgoed in het rek.

Wijn glazen kunnen veilig in de opvouwbare kleppen worden geplaatst door de steel van elk glas in de overeenkomstige sleuven in te voeren.

Afhankelijk van het model:

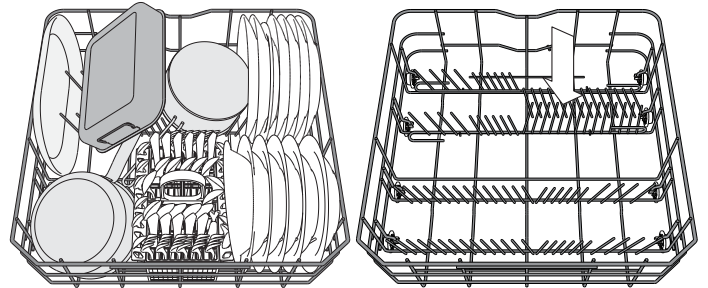
- om de kleppen open te vouwen moet u ze omhoog schuiven en roteren of ze losmaken van de klemmen en omlaag trekken.
- om de kleppen op te vouwen moet u ze roteren en omlaag schuiven of ze omhoog trekken en aan de klemmen vastmaken.



## ONDERSTE REK

Voor potten, deksels, platen, saladekommen, bestek enz. Grote platen en deksels moeten idealiter aan de zijkanten worden geplaatst, om aanraking met de sproeierarmen te voorkomen.

Het onderste rek heeft opklapbare steunen die in een verticale positie kunnen worden gebruikt bij het schikken van platen of in een horizontale positie (lager) om pannen en saladekommen te laden.

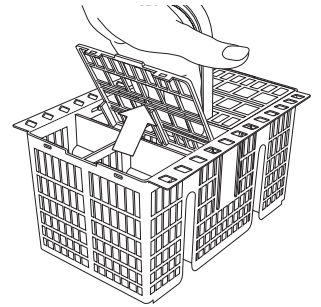


(laadvoorbeeld voor het onderste rek)

### BESTEKMAND

De mand is uitgerust met rasters aan de bovenkant, om het bestek beter te kunnen rangschikken. De bestekmand mag alleen aan de voorkant van het onderste rek worden geplaatst.

**Messen en andere gebruiksvoorwerpen met scherpe randen moeten in de bestekmand worden gezet met de punten naar beneden gericht of horizontaal geplaatst in de opklapbare compartimenten op het bovenste rek.**



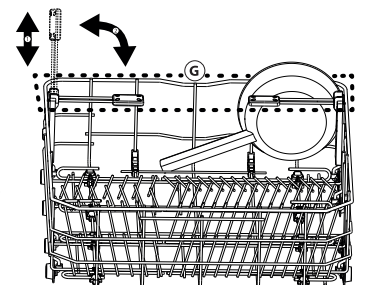
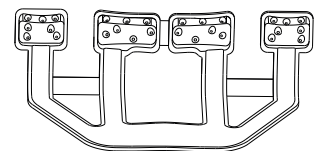
### POWER CLEAN IN ONDERSTE REK

Power Clean® maakt gebruik van speciale waterstralen aan de achterzijde van de ruimte voor een intensievere reiniging van zeer vuile items. Het onderste rek heeft een lege ruimte, een speciale uittrekbare steun aan de achterzijde van het rek, die kan worden gebruikt ter ondersteuning van koekenpannen of braadpannen in verticale positie, zodat ze minder ruimte in beslag nemen.

Activeer POWER CLEAN op het paneel tijdens het plaatsen van de pannen / ovenschalen tegenover het Power Clean® component.

Power Clean® gebruiken:

1. Pas het Power Clean gebied (G) aan door de achterste bordenhouders omlaag te klappen om potten en pannen te laden.
2. Laad potten, pannen en schalen verticaal gekanteld in het Power Clean gebied. Potten en pannen moeten naar de krachtige waterstralen toe gekanteld worden.



# DAGELIJKS GEBRUIK

## 1. WATERAANSLUITING CONTROLEREN

Controleer of de wasmachine is aangesloten op de waterleiding en of de waterkraan open is.

## 2. DE AFWASMACHINE INSCHAKELLEN

Open de deur en druk op de toets **AAN/UIT**.

## 3. DE REKKEN VULLEN

(zie **REKKEN VULLEN**)

## 4. HET VAATWASMIDDELMIDDELDOSEERBAKJE VULLEN

## 5. HET PROGRAMMA KIEZEN EN DE CYCLUS AANPASSEN

Selecteer het meest geschikte programma in overeenstemming met het soort serviesgoed en het niveau van vervuiling (zie **BESCHRIJVING PROGRAMMA**) door de **P**-toets in te drukken. Selecteer de gewenste opties (zie **OPTIES EN FUNCTIES**).

## 6. START

Start het de wascyclus door op de **START/Pauze**-toets (het led-lampje brandt) te drukken en de deur binnen 4 seconden te sluiten. U hoort een enkele piep wanneer het programma start.

Als de deur niet binnen 4 seconden is gesloten, hoort u een geluid ter waarschuwing. Open in dat geval de deur, druk op de **START/Pauze**-toets en sluit de deur weer binnen 4 seconden.

## 7. EINDE VAN HET WASPROGRAMMA

Het einde van de wascyclus wordt aangegeven door pieptonen en door knipperen van het nummer van de wascyclus op het display. De deur openen en het apparaat uitschakelen door op de toets **AAN/UIT** te drukken.

Een paar minuten wachten voordat het serviesgoed wordt verwijderd - om brandwonden te voorkomen. De rekken uitladen, te beginnen met het onderste rek.

**De machine wordt tijdens bepaalde langere perioden van inactiviteit automatisch uitgeschakeld, om het elektriciteitsverbruik te minimaliseren. Als het serviesgoed slechts licht bevuild is of als het voordat het in de afwasmachine wordt geplaatst met water is afgespoeld kan de hoeveelheid vaatwasmiddel dienovereenkomstig worden verminderd.**

## WIJZIGEN VAN EEN LOPEND PROGRAMMA

Als u een verkeerd programma heeft gekozen, kunt u het programma wijzigen mits het net is begonnen: open de deur en houd de **AAN/UIT**-toets ingedrukt. De machine wordt uitgeschakeld.

Schakel de machine weer in met de **AAN/UIT**-toets en selecteer het nieuwe wasprogramma en eventuele gewenste opties; start de wascyclus door de **START/Pauze**-toets in te drukken en de deur te sluiten binnen 4 seconden.

## EXTRA SERVIESGOED TOEVOEGEN

Open de deur (**START/Pauze**-ledlampje begint te knipperen) zonder de machine uit te schakelen (pas op voor hete stoom!) en plaats het serviesgoed in de afwasmachine. Druk op de **START/Pauze**-toets en sluit de deur binnen 4 seconden. Het programma gaat verder vanaf het punt waarop het was onderbroken.

## ONGEWENSTE ONDERBREKINGEN

Als de deur geopend wordt tijdens de wascyclus, of als er sprake is van een stroomonderbreking, stopt het programma. Om de cyclus te hernemen vanaf het punt waarop het was onderbroken, drukt u op de **START/Pauze**-toets-knop en sluit u de deur binnen 4 seconden.

# ADVIEZEN EN TIPS

## ADVIEZEN

Verwijder alvorens de manden te laden alle voedselresten uit het serviesgoed en leeg de glazen. **Het serviesgoed hoeft niet tevoren onder stromend water afgespoeld te worden.**

Het serviesgoed zo rangschikken dat het stevig op zijn plaats staat en niet omslaat; rangschik de containers met de openingen naar beneden gericht en de holle/bolle onderdelen schuin geplaatst, waardoor het water elk oppervlak kan bereiken en vrij kan stromen.

**Waarschuwing:** zorg ervoor dat deksels, grepen, platen en koekenpannen de sproeierarmen niet belemmeren bij het draaien.

Plaats geen kleine voorwerpen in de bestekmand.

Erg vervuild vaatwerk en pannen moeten in de onderste mand worden geplaatst, omdat in deze ruimte de watersproeiers sterker zijn en hogere wasprestaties hebben.

Zorg ervoor dat na het laden van het apparaat de sproeierarmen vrij kunnen draaien.

## ONGESCHIKT SERVIESGOED

- Houten servies en bestek.
- Kwetsbare gedecoreerde glazen, artistiek handwerk en antiek serviesgoed. Hun decoraties zijn hier niet tegen bestand.
- Delen van synthetisch materiaal die niet bestand zijn tegen hoge temperaturen.
- Koperen en tinnen serviesgoed.
- Serviesgoed bevuild met as, was, smeervet of inkt.

De kleuren van glasdecoraties en aluminium/zilveren stukken kunnen wijzigen en vervagen tijdens het wasproces. Sommige soorten glas (bv. kristallen voorwerpen) kunnen na een aantal wascyclussen ook dof worden.

## SCHADE AAN GLASWERK EN SERVIESGOED

- Gebruik alleen glas en porselein waarvan de fabrikant garandeert dat het veilig is voor de afwasmachine.
- Gebruik een zacht vaatwasmiddel dat geschikt is voor serviesgoed.
- Haal glazen en bestek uit de afwasmachine zodra het wasprogramma afgelopen is.

## TIPS VOOR ENERGIEBESPARING

- Wanneer de huishoudelijke vaatwasmachine gebruikt wordt volgens de aanwijzingen van de fabrikant, **verbruikt het wassen van vaatwerk in een vaatwasmachine gewoonlijk MINDER ENERGIE en water dan met de hand afwassen.**
- Om de efficiëntie van de vaatwasmachine te maximaliseren wordt aanbevolen om **de wascyclus eerst te starten wanneer de vaatwasmachine helemaal gevuld is.** De huishoudelijke vaatwasmachine vullen tot de hoeveelheid aangegeven door de fabrikant draagt bij tot het besparen van energie en water. Informatie over het correct laden van vaatwerk vindt u in het hoofdstuk **DE REKKEN VULLEN**. Als de machine gedeeltelijk is gevuld, wordt aanbevolen om de speciaal daarvoor bedoelde wasopties, indien voorzien, te gebruiken (Halve lading/ Zone Wash/ Multizone) en enkel geselecteerde rekken te vullen. De vaatwasmachine onjuist of overmatig vullen kan het gebruik van de hulpbronnen verhogen (zoals water, energie en tijd, en ook het geluidsniveau) en de reinigings- en droogprestaties verlagen.
- Vaatwerk vooraf met de hand spoelen verhoogt het water- en energieverbruik en wordt niet aanbevolen.

## HYGIËNE

Om te voorkomen dat zich geur en afzetting ophoopt in de afwasmachine moet u ten minste één per maand een programma met hoge temperatuur laten draaien. Gebruik een theelepel vaatwasmiddel en laat het apparaat zonder lading draaien.

# REINIGING EN ONDERHOUD

## HET FILTERSISTEEM REINIGEN

einig het filtersysteem regelmatig, zodat de filters niet verstopten en het afvalwater correct weg stroomt.

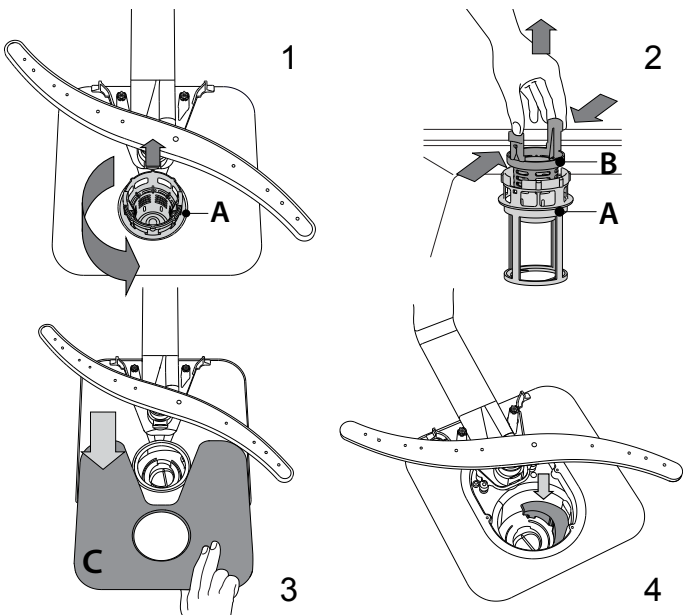
Het gebruik van vaatwasmachines met verstopte filters of vreemde voorwerpen in het filtersysteem of de sproeierarmen kan de slechte werking ervan en bijgevolg lagere prestaties, lawaai of een hoger verbruik van hulpbronnen veroorzaken.

Het filtersysteem bestaat uit drie filters die voedselresten uit het afwaswater verwijderen en vervolgens het water opnieuw laten circuleren.

**De afwasmachine mag niet worden gebruikt zonder filters of als het filter is losgeraakt.**

Controleer tenminste eens per maand of na elke 30 cyclussen het filtersysteem en reinig het eventueel grondig onder stromend water, met een niet-metalen borstel en volgens de onderstaande instructies:

1. Draai het cilindrische filter **A** linksom en trek het uit (Afb. 1).
2. Verwijder het houderfilter **B** door licht op de zijkleppen te drukken (Afb. 2).
3. Schuif de roestvrij stalen plaat filter **C** er uit (Afb. 3).
4. Als u vreemde voorwerpen vindt (gebroken glas, porselein, beenderen, zaden van vruchten, enz.), **verwijderd u ze zorgvuldig**.
5. Inspecteer de sifon en verwijder eventuele voedselresten. **VERWIJDER NOOIT** de pompbescherming van het wasprogramma (zwart detail) (Afb. 4).



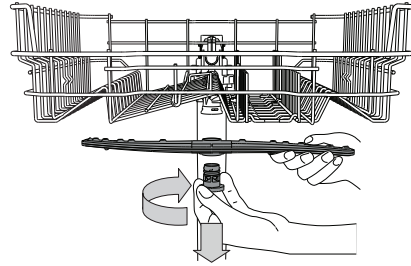
Na het schoonmaken van het filter het filtersysteem opnieuw plaatsen en goed op zijn plaats zetten; dit is essentieel voor het behoud van de efficiënte werking van de afwasmachine.

## DE TOEVOERSLANG REINIGEN

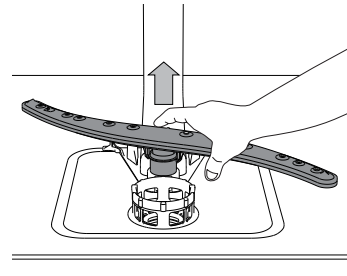
Als de waterslangen nieuw zijn of een langere periode niet zijn gebruikt laat dan, voordat de benodigde aansluitingen worden uitgevoerd, het water lopen, om ervoor te zorgen het helder is en vrij van onzuiverheden. Als deze voorzorgsmaatregel niet wordt genomen kan de waterinlaat geblokkeerd worden en kan de afwasmachine beschadigd raken.

## DE SPROEIERARMEN REINIGEN

Af en toe kunnen er voedselresten op de sproeierarmen vastzitten en worden de openingen voor het water sproeien geblokkeerd. Het is daarom raadzaam dat u de armen van tijd tot tijd controleert en ze met een kleine niet-metalen borstel schoonmaakt.



Voor het verwijderen van de bovenste sproeierarm de kunststof borging rechtsom draaien. De bovenste sproeierarm moet worden vervangen, zodat de zijde met het grotere aantal openingen naar boven is gericht.



De onderste sproeierarm kan worden verwijderd door het omhoog te trekken.

## WATERVERZACHTEND SYSTEEM

Waterverzachters reduceren automatisch de waterhardheid en voorkomen bijgevolg ketelsteenvorming op de verwarmers en dragen bij tot een efficiëntere reiniging.

**Dit systeem wordt automatisch met zout geregenereerd, u dient dus het zoutreservoir te vullen wanneer het leeg is.**

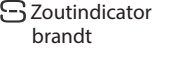

De frequentie van de regeneratie hangt af van de instelling van het waterhardheidsniveau - de regeneratie wordt uitgevoerd om de **6** Eco-cyclussen met het waterhardheidsniveau ingesteld op **3**.

Het regeneratieproces start tijdens de laatste spoeling en eindigt tijdens de droogfase, voordat de cyclus beëindigt.

- Eén enkele regeneratie verbruikt: ~3,5 liter water;
- Doet de cyclus 5 minuten langer duren;
- Verbruikt minder dan 0,005 kWh energie.

# PROBLEMEN OPLOSSEN

Als uw vaatwasmachine niet goed werkt, doorloopt u de onderstaande lijst om te controleren u of u het probleem kunt verhelpen. Voor andere fouten of problemen neemt u contact op met de bevoegde Consumentenservice, de contactgegevens ervan vindt u in de garantieboekje. Reserveonderdelen zijn beschikbaar voor een periode van maximaal 7 of maximaal 10 jaar, afhankelijk van de regels die van toepassing zijn.

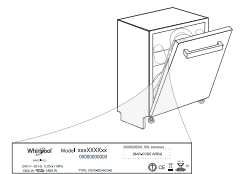
PROBLEMEN	MOGELIJKE OORZAKEN	OPLOSSINGEN
 Zoutindicator brandt	Zoutreservoir is leeg. (Na het bijvullen kan het controlelampje van het zoutniveau blijven branden gedurende een aantal afwascycli).	Vul reservoir bij met zout (voor meer informatie - raadpleeg pagina 2). Pas de waterhardheid aan - zie tabel, pagina 2.
 Glansspoelmiddelindicator brandt	Glansspoelmiddelreservoir is leeg. (Na het bijvullen kan het controlelampje van het glansspoelmiddel blijven branden gedurende een aantal afwascycli).	Vul reservoir bij met glansspoelmiddel (voor meer informatie - raadpleeg pagina 2).
De afwasmachine start niet of reageert niet op opdrachten.	Het apparaat is niet goed aangesloten.	Steek de stekker in het stopcontact.
	Stroomuitval.	Om veiligheidsredenen wordt de vaatwasmachine niet automatisch opnieuw gestart wanneer er opnieuw stroom is. Open de deur van de vaatwasmachine, druk op de START/Pauze-toets en sluit de deur binnen 4 sec.
	De deur van de afwasmachine is niet goed gesloten. De NaturalDry-pin is niet ingetrokken.	De deur krachtig aanduwen totdat u de „klik” hoort.
	De cyclus wordt onderbroken als de deur > 4 seconden wordt geopend.	Druk op START/Pauze en sluit de deur binnen 4 seconden.
De afwasmachine reageert niet op opdrachten. Weergave op het display: <b>9</b> of <b>12</b> en de AAN/UIT-led knippert snel	Het toestel uitschakelen door de knop AAN/UIT in te drukken, na ongeveer een minuut weer inschakelen en het programma opnieuw starten. Als het probleem aanblijft, trekt u de stekker van het apparaat 1 minuut lang uit, breng dan de stekker terug in..	
De afwasmachine pompt niet af. Weergave op het display: <b>3</b> en de AAN/UIT-led knippert snel.	Het wasprogramma is nog niet klaar.	Wacht totdat het wasprogramma klaar is.
	Er zit een knik in de afvoerslang.	Controleer of er geen knik zit in de afvoerslang (zie <i>INSTALLATIEGIDS</i> ).
	De pijp van de gootsteenafvoer is geblokkeerd.	Reinig de pijp van de gootsteenafvoer.
	Het filter is verstopt met voedselresten	Reinig het filter (zie <i>HET FILTERSISTEEM REINIGEN</i> ).
De afwasmachine maakt veel lawaai.	Het vaatwerk rammelt tegen elkaar.	Rangschik het serviesgoed goed (zie <i>REKKEN VULLEN</i> ).
	Er is een bovenmatige hoeveelheid schuim geproduceerd.	Het vaatwasmiddel is niet goed afgemeten of het is niet geschikt voor gebruik in afwasmachines (zie <i>REKKEN VULLEN</i> ). Start de actuele wascyclus opnieuw: schakel de afwasmachine UIT, vervolgens terug in, selecteer een nieuw programma, druk op START/Pauze en sluit de deur binnen 4 seconden. Voeg geen vaatwasmiddel toe.
Het vaatwerk is niet schoon.	Het serviesgoed is niet goed gerangschikt.	Rangschik het serviesgoed goed (zie <i>REKKEN VULLEN</i> ).
	De sproeierarmen kunnen niet vrij draaien, ze worden door het vaatwerk belemmerd.	Rangschik het serviesgoed goed (zie <i>REKKEN VULLEN</i> ).
	Het wasprogramma is te zacht.	Selecteer een geschikt wasprogramma (zie <i>PROGRAMMATABEL</i> ).
	Er is een bovenmatige hoeveelheid schuim geproduceerd.	Het vaatwasmiddel is niet goed afgemeten of het is niet geschikt voor gebruik in afwasmachines.
	De dop op het glansspoelmiddelcompartiment is niet correct afgesloten.	Zorg ervoor dat de dop van het glansspoelmiddelbakje is gesloten.
	Het filter is bevuild of verstopt.	Reinig het filtersysteem (zie <i>VERZORGING EN ONDERHOUD</i> ).
De afwasmachine vult zich niet met water. Weergave op het display: <b>H</b> , <b>6</b> en de AAN/UIT-led knippert snel.	Er is geen zout.	Vul het zoutreservoir (zie <i>HET ZOUTRESERVOIR BIJVULLEN</i> ).
	Geen water in de watertoevoer of de kraan is gesloten.	Zorg ervoor dat er water in de watertoevoer komt of dat de kraan loopt.
	Er zit een knik in de toevoerslang.	Controleer of er geen knik in de toevoerslang zit (zie <i>INSTALLATIE</i> ), de afwasmachine herprogrammeren en rebooten.
De vaatwasmachine beëindigt de cyclus voortijdig. Weergave op het display: <b>15</b> en de AAN/UIT-led knippert snel.	De zeef in de watertoevoerslang is verstopt; het moet gereinigd worden.	Na het controleren en reinigen, de afwasmachine uitschakelen en inschakelen en een nieuw programma starten.
	De afvoerslang bevindt zich te laag of heveling in het huishoudelijke afvalwatersysteem.	Controleer of het uiteinde van de afvoerslang zich op de juiste hoogte bevindt (zie <i>INSTALLATIE</i> ). Controleer de heveling in het huishoudelijke afvalwatersysteem, installeer zo nodig een luchttoevoer klep.
	Lucht in watertoevoer.	Controleer de watertoevoer op lekken of andere problemen die lucht inlaten.

De bedrijfsregels, standaarddocumentatie, bestellen van onderdelen en aanvullende productinformatie kunt u vinden:



- Op onze website [docs.whirlpool.eu/docs](https://docs.whirlpool.eu/docs) en [parts-selfservice.europeanappliances.com](https://parts-selfservice.europeanappliances.com)
- Gebruik makend van de QR-code
- Anders, **contacteer onze Klantenservice** (Het telefoonnummer staat in het garantieboekje). Wanneer u contact neemt met de Klantenservice, gelieve de codes te vermelden die op het identificatieplaatje van het apparaat staan.

De modelinformatie kan gevonden worden aan de hand van de QR-code die op het energielabel aangegeven is. Het label bevat ook de model-ID die kan worden gebruikt om het portaal van het register te raadplegen op <https://eprel.ec.europa.eu>



**400011452739B**

12/2024 ks - Xerox Fabriano



# INSTRUKCJA CODZIENNEJ EKSPLOATACJI



**DZIĘKUJEMY ZA ZAKUP PRODUKTU WHIRLPOOL.**  
Aby uzyskać kompleksową pomoc, prosimy zarejestrować urządzenie na stronie: [www.whirlpool.eu/register](http://www.whirlpool.eu/register)

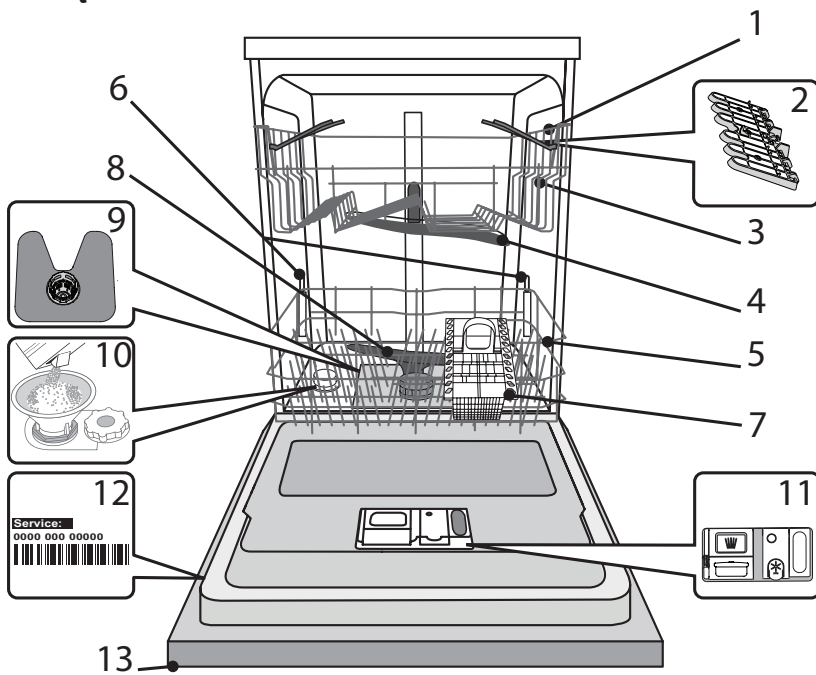


Instrukcję bezpieczeństwa oraz Podręcznik użytkownika, można pobrać z naszej strony internetowej [docs.whirlpool.eu](http://docs.whirlpool.eu); należy postępować zgodnie z zaleceniami opisanymi na odwrocie niniejszej książeczki.

Przez użyciem urządzenia przeczytać uważnie Instrukcję bezpieczeństwa.

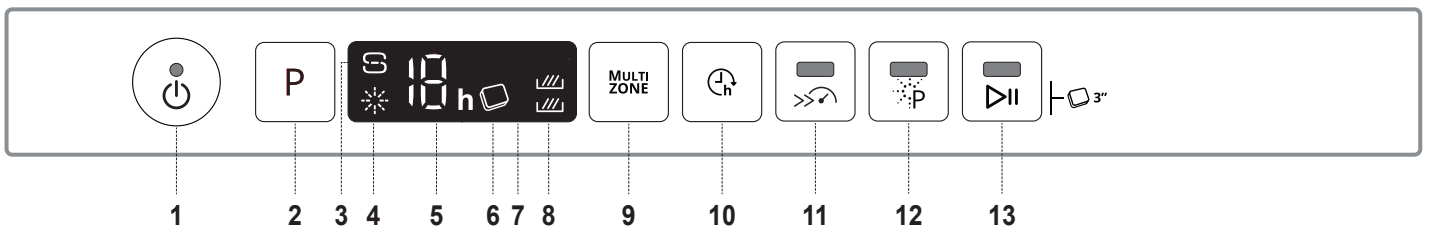
## OPIS PRODUKTU

### URZĄDZENIE



1. Górny kosz
2. Składane półeczki
3. Regulator wysokości górnego kosza
4. Górne ramię natryskowe
5. Dolny kosz
6. Wsporniki PowerClean®
7. Koszyk na sztućce
8. Dolne ramię natryskowe
9. Zespół filtra
10. Zbiornik soli
11. Dozowniki detergentu i płynu nablyszczającego
12. Tabliczka znamionowa
13. Panel sterowania

### PANEL STEROWANIA



1. Przycisk i kontrolka Wł.-Wył./Reset
2. Przycisk wyboru programu
3. Kontrolka „Brak soli”
4. Kontrolka „Brak płynu nablyszczającego”
5. Numer programu i wskaźnik „Opóźnienia”
6. Kontrolka „Tabletki”
7. Wyświetlacz
8. Kontrolka „Multizone”
9. Przycisk „Multizone”
10. Przycisk „Opóźnienie”
11. Przycisk i kontrolka „Turbo”
12. Przycisk i kontrolka „Power Clean®”
13. Przycisk i kontrolka „START/Pauza” / „Tabletka (Tab)”

# PIERWSZE UŻYCIE

## SÓL DO ZMYWAREK, DODATKI DO PŁUKANIA I DETERGENT

### WSKAZÓWKI DOTYCZĄCE PIERWSZEGO UŻYCIA URZĄDZENIA

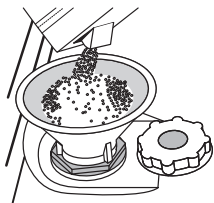
Po zainstalowaniu urządzenia należy wyjąć ograniczniki z koszy oraz elastyczne elementy mocujące z górnego kosza.

### NAPEŁNIANIE ZBIORNIKA SOLI

Zastosowanie soli zapobiega tworzeniu się KAMIENIA na naczyniach i funkcjonalnych podzespołach zmywarki.

- Konieczne jest, aby **ZBIORNIK SOLI NIGDY NIE BYŁ PUSTY**.
- Ważne też jest odpowiednie ustawienie twardości wody.

Zbiornik soli znajduje się w dolnej części zmywarki (patrz OPIS PRODUKTU), i powinien zostać napełniony, gdy na panelu sterowania świeci się kontrolka **BRAK SOLI**.



1. Wyjąć dolny kosz i odkręcić korek zbiornika (w kierunku przeciwnym do ruchu wskazówek zegara).
2. **Tylko podczas wykonywania czynności po raz pierwszy: Napełnić zbiornik soli wodą.**
3. Umieścić lejek (patrz rys.) i wsypać sól aż do krawędzi zbiornika (około 1 kg); niewielki wyciek wody jest tu normalny.
4. Wyjąć lejek i wytrzeć resztki soli wokół otworu.

Upewnić się, czy korek jest mocno dokręcony, aby detergent nie mógł przedostać się do zbiornika podczas programu zmywania (mogłoby to spowodować nienaprawialne uszkodzenie zmiękczacza wody).

**Jeśli trzeba uzupełnić ilość soli w urządzeniu, należy wykonać tę czynność przed rozpoczęciem cyklu zmywania aby uniknąć korozji.**

### USTAWIENIE TWARDOŚCI WODY

Aby zmiękczacze wody działał idealnie, istotne jest ustawienie twardości wody na podstawie rzeczywistej twardości doprowadzanej wody. Tę informację można uzyskać od lokalnego dostawcy wody.

Ustawienie fabryczne to domyślna wartość dla twardości wody.

- Włączyć urządzenie, naciskając przycisk **WŁ./WYŁ.**
- Wyłączyć urządzenie, naciskając przycisk **WŁ./WYŁ.**
- Przytrzymać przycisk **P** przez 5 sekund, aż będzie słychać sygnał dźwiękowy.
- Włączyć urządzenie, naciskając przycisk **WŁ./WYŁ.**
- Wybrany aktualnie numer poziomu twardości oraz kontrolka **BRAK SOLI** migają jednocześnie.
- Wcisnąć przycisk **P**, by wybrać żądany poziom twardości (patrz **TABELA TWARDOŚCI WODY**).

Tabela twardości wody				
Poziom	°dH St. niemieckie	°fH St. francuskie	°Clark St. brytyjskie	
				1
2	Średnia	7 - 11	11 - 20	8 - 14
3	Przeciętna	12 - 16	21 - 29	15 - 20
4	Twarda	17 - 34	30 - 60	21 - 42
5	Bardzo twarda	35 - 50	61 - 90	43 - 62

- Wyłączyć urządzenie, naciskając przycisk **WŁ./WYŁ.**

Ustawienie zostało wykonane!

Po zakończeniu tych czynności włączyć program bez wkładania naczyń.

**Należy stosować wyłącznie taką sól, która jest specjalnie przeznaczona do zmywarek.**

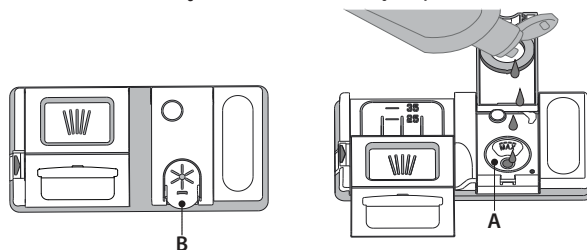
Po wsypaniu soli do zmywarki kontrolka **BRAK SOLI** gaśnie.

**Jeśli pojemnik z solą jest pusty, istnieje ryzyko uszkodzenia zmiękczacza wody oraz grzałki z powodu nagromadzenia osadu.**

**Stosowanie soli jest zalecane z każdym rodzajem detergentu do zmywarek.**

### NAPEŁNIANIE DOZOWNIKA PŁYNU NABŁYSZCZAJĄCEGO

Płyn nabłyszczający ułatwia **SUSZENIE** naczyń. Dozownik płynu nabłyszczającego **A** powinien zostać napełniony, gdy kontrolka **BRAK PŁYNU NABŁYSZCZAJĄCEGO** ✨, świeci się na panelu sterowania.



1. Otworzyć dozownik **B**, naciskając i podnosząc klapkę na pokrywce.
2. Ostrożnie wlewać płyn nabłyszczający, aż do kreski oznaczającej maksymalny poziom napełnienia (110 ml) - unikać rozlania płynu. Jeśli tak się stanie, należy natychmiast wytrzeć rozlany płyn suchą szmatką.
3. Zatrzasnąć pokrywkę.

**NIGDY nie wlewać płynu nabłyszczającego bezpośrednio do komory zmywarki.**

### REGULACJA DOZOWANIA PŁYNU NABŁYSZCZAJĄCEGO

Jeśli rezultaty suszenia nie są w pełni zadowalające, można wyregulować dozowanie używanego płynu nabłyszczającego.

- Włączyć zmywarkę za pomocą przycisku **WŁ./WYŁ.**
- Wyłączyć urządzenie za pomocą przycisku **WŁ./WYŁ.**
- Nacisnąć trzykrotnie przycisk **P** - będzie słychać sygnał dźwiękowy.
- Włączyć ją za pomocą przycisku **WŁ./WYŁ.**
- Miga wybrany aktualnie numer poziomu nabłyszczacza oraz kontrolka **BRAK PŁYNU NABŁYSZCZAJĄCEGO**.
- Nacisnąć przycisk **P**, aby wybrać poziom dozowania płynu nabłyszczającego.
- Wyłączyć urządzenie za pomocą przycisku **WŁ./WYŁ.**

Ustawienie zostało wykonane!

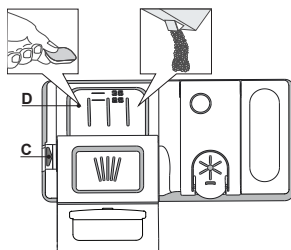
Jeśli poziom dozowania płynu nabłyszczającego został ustawiony na **ZERO (ECO)**, płyn nabłyszczający nie będzie dozowany. Kontrolka **BRAK PŁYNU NABŁYSZCZAJĄCEGO** nie będzie świecić, jeśli zabraknie płynu nabłyszczającego.

Można ustawić maksymalnie 5 poziomy, zależnie od modelu zmywarki. Ustawienia fabryczne zależą od modelu urządzenia. Aby sprawdzić ustawienia posiadanej zmywarki, należy postąpić według instrukcji powyżej.

- Jeśli na naczyniach są widoczne niebieskawe smugi, należy ustawić niski poziom (1-2).
- Jeśli na naczyniach pozostają krople wody lub oznaki kamienia, należy ustawić wysoki poziom (3-4).

### NAPEŁNIANIE DOZOWNIKA DETERGENTU

**Aby otworzyć dozownik detergentu, użyć urządzenia do otwierania C. Detergent wsypywać/wlewać tylko do suchego zasobnika D. Detergent przeznaczony do mycia wstępnego wsypywać/wlewać bezpośrednio do komory zmywarki.**



1. Odmierzając dawkę detergentu, należy uwzględnić informacje podane powyżej, aby dodana ilość detergentu była prawidłowa. Wewnątrz dozownika **D** znajdują się oznaczenia ułatwiające dozowanie detergentu.
2. Przed zatrzaśnięciem pokrywki usunąć pozostałości detergentu z krawędzi dozownika.
3. Zamknąć pokrywkę dozownika detergentu, pociągając ją w górę tak, aż urządzenie zamykające zostanie zablokowane na swoim miejscu.

Dozownik detergentu otwiera się automatycznie w odpowiednim czasie, zgodnie z danym programem.

Jeśli używany jest detergent typu „all-in-one” zalecamy używanie przycisku **TABLETKI**, ponieważ wtedy zostanie wybrany program pozwalający na osiągnięcie najlepszych rezultatów mycia i suszenia za każdym razem.

**Zastosowanie detergentów nieprzeznaczonych do użytku w zmywarkach może spowodować nieprawidłowe działanie lub uszkodzenie urządzenia.**

# TABELA PROGRAMÓW

Program	Faza suszenia	NaturalDry	Dostępne opcje *)	Czas trwania programu zmywania (godz.:min)**	Zużycie wody (litry/cykl)	Zużycie energii (kWh/cykl)	
1. Eco	ECO 50°	✓	✓		3:10	9,5	0,75
2. 6 <sup>th</sup> Sense®	50-60°	✓	✓		1:25 - 3:00	7,0 - 14,0	0,90 - 1,40
3. Intensywny	65°	✓	✓		2:50	14,0	1,50
4. Szybkie mycie i suszenie	50°	✓	✓		1:25	11,5	1,10
5. Kryształ	45°	✓	✓		1:40	11,5	1,20
6. Szybki 30'	50°	-	-		0:30	9,0	0,50
7. Cichy	50°	✓	✓		3:30	15,0	1,15
8. Dezynfekujący	65°	✓	-		1:40	10,0	1,30
9. Mycie wstępne	-	-	-		0:12	4,5	0,01
10. Samooczyszczenie	65°	-	-		0:50	8,0	0,85

Dane Programu Eco uzyskano na podstawie pomiarów wykonanych w warunkach laboratoryjnych zgodnie z normą europejską EN 60436:2020. Uwaga dla laboratoriów testowych: szczegółowe informacje dotyczące warunków testów porównawczych EN można uzyskać pod adresem: [dw\\_test\\_support@europeanappliances.com](mailto:dw_test_support@europeanappliances.com).

Przed żadnym z tych programów nie ma potrzeby wstępnego przygotowania naczyń.

\*) Nie wszystkie opcje mogą być używane jednocześnie.

\*\*) Wartości podane dla innych programów niż program Eco mają charakter referencyjny. Rzeczywisty czas może się zmieniać w zależności od wielu czynników, takich jak temperatura i ciśnienie dopływającej wody, temperatura otoczenia, ilość detergentu, wielkość i typ załadunku oraz jego wyważenie, a także od dodatkowo wybranych opcji i kalibracji czujnika. Kalibracja czujnika może wydłużyć czas trwania programu aż o 20 min.

## OPIS PROGRAMÓW

### Instrukcje wyboru cyklu zmywania.

#### 1 ECO

Program Eco jest przeznaczony do mycia naczyń o zwykłym stopniu zabrudzenia; dla tego zastosowania jest to najbardziej wydajny program pod względem zużycia energii elektrycznej i wody oraz w takim zastosowaniu program ten uzyskał certyfikat zgodności z dyrektywą unijną Ecodesign.

#### 2 6<sup>th</sup> SENSE®

Do mycia normalnie zabrudzonych naczyń z zaschniętymi resztkami potraw. Program jest automatycznie dostosowany w zależności od poziomu zabrudzenia. Gdy czujnik wykryje poziom zabrudzenia, na wyświetlaczu pojawi się animacja i czas trwania cyklu zostanie zaktualizowany.

#### 3 INTENSYWNY

Program do zmywania bardzo zabrudzonych naczyń, szczególnie zalecany do patelni i garnków (nie powinien być używany do delikatnych naczyń).

#### 4 SZYBKIE MYCIE I SUSZENIE

Normalnie zabrudzone naczynia. Cykl do codziennego stosowania, zapewniający optymalne rezultaty zmywania i suszenia w krótszym czasie.

#### 5 KRYSTAŁY

Program do mycia delikatnych naczyń, które są bardziej wrażliwe na wysoką temperaturę, np. szklanki i kubeczki.

#### 6 SZYBKIE 30'

Program należy stosować przy połowie załadunku lub lekko zabrudzonych naczyniach, na których nie zalegają resztki jedzenia. Nie zawiera fazy suszenia.

#### 7 CICHY

Odpowiedni do zmywania w nocy. Zapewnia optymalne rezultaty zmywania i suszenia przy najniższej emisji hałasu.

#### 8 DEZYNFEKUJĄCY

Średnio lub bardzo zabrudzone naczynia, z dodatkowym działaniem antybakteryjnym. Można wykorzystywać do wykonania czynności związanych z konserwacją zmywarki.

#### 9 MYCIE WSTĘPNE

Opłukiwanie naczyń przeznaczonych do późniejszego mycia. W tym programie nie używa się żadnego detergentu.

#### 10 SAMOCZYSZCZENIE

Program przeznaczony do przeprowadzania konserwacji zmywarki, tylko w przypadku gdy zmywarka jest PUSTA, z zastosowaniem specjalnych detergentów służących do konserwacji zmywarki.

#### Uwagi:

Należy pamiętać, że cykl Szybki 30' służy do mycia lekko zabrudzonych naczyń.

# OPCJE I FUNKCJE

OPCJE można wybierać bezpośrednio, naciskając odpowiedni przycisk (patrz PANEL STEROWANIA).

**Jeśli dana opcja nie może być używana z wybranym programem patrz TABELA PROGRAMÓW, odpowiednia dioda LED mignie szybko 3 razy i będzie słycać sygnał dźwiękowy. Opcja nie zostanie włączona.**

## MULTI ZONE MULTIZONE

Jeśli nie ma wielu naczyń do zmywania, można wykorzystać program «Połowa załadunku», w celu oszczędzenia wody, energii elektrycznej i detergentu.

Wybrać program i nacisnąć przycisk MULTIZONE: symbol wybranego kosza pojawia się na wyświetlaczu. Domyślnie urządzenie myje naczynia we wszystkich koszach.

Aby umyć zawartość tylko wybranego kosza, należy nacisnąć kilkakrotnie przycisk:



pokazany na wyświetlaczu (tylko dolny kosz)



pokazany na wyświetlaczu (tylko górny kosz)



pokazany na wyświetlaczu (opcja jest WYŁĄCZONA, a urządzenie będzie zmywać naczynia we wszystkich koszach).

**Uwaga: naczynia należy umieścić wyłącznie w wybranym koszu.**

**Jeśli wyjęto górny kosz, należy umieścić detergent bezpośrednio w zbiorniku zamiast w dozowniku detergentu.**

## OPÓŹNIENIE

Włączenie programu można opóźnić o pewien czas, od 1 do 12 godzin.

1. Nacisnąć przycisk OPÓŹNIENIE: na wyświetlaczu pojawi się odpowiedni symbol „h”; po każdym naciśnięciu przycisku, czas (1 godz., 2 godz., itd. do maks. 12 godz.) liczony od początku wybranego cyklu zmywania zostanie zwiększony.
2. Wybrać program zmywania, nacisnąć przycisk START/Pauza i w ciągu czterech sekund zamknąć drzwiczki: zegar zacznie odliczanie.
3. Po upływie ustawionego czasu kontrolka „h” zgaśnie i rozpocznie się cykl zmywania.

Aby ustawić czas opóźnienia i wybrać krótszy czas, należy nacisnąć przycisk OPÓŹNIENIE. Aby anulować wybór, nacisnąć i przytrzymać przycisk, aż kontrolka wybranego opóźnienia „h” zgaśnie.

Program zmywania rozpocznie się automatycznie, jak tylko zostaną zamknięte drzwiczki.

**Funkcji „OPÓŹNIENIE” nie można ustawić po rozpoczęciu cyklu zmywania.**

## TURBO

Ta opcja może być stosowana w celu zmniejszenia czasu trwania programu głównego, przy jednoczesnym uzyskaniu takich samych rezultatów mycia i suszenia.

Po wybraniu programu, nacisnąć przycisk TURBO. Zaświeci się kontrolka. Aby wyłączyć opcję, jeszcze raz nacisnąć ten sam przycisk.

## POWER CLEAN®

Dzięki dodatkowym silnym dyszom ta opcja zapewnia bardziej intensywne i dokładne mycie w koszu dolnym, w określonym jego obszarze. Opcja ta jest polecana do mycia garnków i patelni. Naciśnięcie tego przycisku włącza opcję Power Clean® (zapala się wskaźnik).

## TABLETKI (TAB)

Ustawienie to pozwala zoptymalizować wydajność programu zgodnie z typem zastosowanego detergentu.

Nacisnąć przycisk START/Pauza i przytrzymać przez 3 sekundy (zaświeci się odpowiedni symbol), jeśli używany jest wielofunkcyjny detergent w formie tabletki (płyn nabyliczający, sól i detergent w jednym).

**W przypadku korzystania z detergentu w proszku lub w płynie, opcja ta powinna być wyłączona.**



## KONTROLKA DZIAŁANIA

Lampka LED świecąca na podłogę wskazuje, że zmywarka działa. Można wybrać jeden z następujących trybów pracy:

- a) Funkcja wyłączona.
- b) Gdy rozpoczyna się cykl, kontrolka włącza się na kilka sekund, pozostaje wyłączona podczas cyklu i miga na koniec cyklu.
- c) Kontrolka pozostaje włączona podczas cyklu i miga po jego zakończeniu (tryb domyślny).

Jeżeli zostało ustawione opóźnienie, kontrolka może być włączona w ciągu pierwszych kilku sekund, albo przez cały okres odliczania, zależnie od tego, czy ustawiono tryb b), czy c). Kontrolka gaśnie za każdym razem, gdy zostaną otwarte drzwiczki. Aby wybrać preferowany tryb, należy włączyć urządzenie, nacisnąć i przytrzymać przycisk P, aż na wyświetlaczu pojawi się jedna z trzech liter, nacisnąć przycisk P, aż do osiągnięcia żądanej litery (lub trybu), przytrzymać przycisk P, aby potwierdzić wybór.

**Uwaga: Jeśli system NaturalDry jest aktywny i drzwiczki zostaną otwarte, wskaźnik pracy nie będzie migać na końcu cyklu.**

## NaturalDry

NaturalDry to konwekcyjny system suszenia, który automatycznie otwiera drzwiczki podczas/po fazie suszenia, aby zapewnić doskonałe rezultaty suszenia każdego dnia. Drzwiczki otwierają się w temperaturze, która jest bezpieczna dla mebli kuchennych, dlatego nie zostaną one otworzone, gdy włączona jest opcja TURBO.

Do zmywarki dołączono specjalnie zaprojektowaną folię ochronną, która pełni funkcję dodatkowej ochrony przed parą. Należy zapoznać się z PORADNIKIEM INSTALACJI, aby dowiedzieć się, jak zamontować folię ochronną.

Użytkownik może wyłączyć funkcję systemu NaturalDry w następujący sposób:

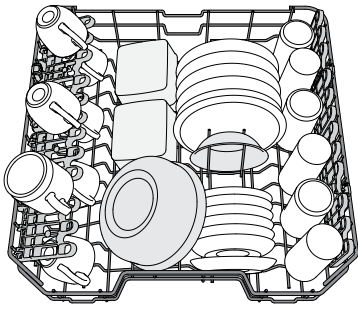
1. Przejść do menu oprogramowania zmywarki, naciskając i przytrzymując przycisk P (6 sek.).
2. Po wejściu do Light Control Menu (zapoznać się z rozdziałem KONTROLKA DZIAŁANIA), nacisnąć i przytrzymać przycisk P (dopóki na wyświetlaczu nie wyświetli się jedna z dwóch liter), o ile użytkownik nie chce niczego zmieniać.
3. Po przejściu do Menu Sterowania NaturalDry, można zmienić status tej funkcji, naciskając przycisk P:

**E** - włączone      **d** - wyłączony

Należy nacisnąć i przytrzymać przycisk P (3 sek.), aby potwierdzić zmianę i wyjść z Menu Sterowania.

# ŁADOWANIE KOSZY

## GÓRNY KOSZ



(przykładowe załadowanie górnego kosza)

Tu należy wkładać delikatne i lekkie naczynia: szklanki, filiżanki, talerzyki, małe miseczki do sałatek.

## REGULACJA WYSOKOŚCI GÓRNEGO KOSZA

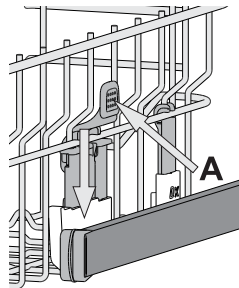
Wysokość górnego kosza można wyregulować: wyższe położenie umożliwia umieszczenie dużych naczyń w dolnym koszu, a niższe pozwala na najwyższe ustawienie podnoszonych wsporników, co daje więcej miejsca u góry, a jednocześnie pozwala uniknąć stykania się z naczyniami umieszczonymi w dolnym koszu.

Górny kosz jest wyposażony w **regulator wysokości górnego kosza** (patrz ilustracja); bez naciskania dźwigni, można łatwo podnieść kosz trzymając go za boczne części i umieszczając stabilnie w górnym położeniu.

Aby przywrócić dolne położenie, nacisnąć dźwignię **A** po bokach kosza i przesunąć kosz w dół.

**Zdecydowanie zalecamy, aby nie regulować wysokości kosza, gdy jest załadowany.**

**NIGDY nie podnosić lub opuszczać kosza tylko z jednej strony.**



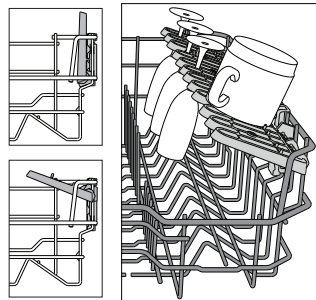
## SKŁADANE PÓLECZKI Z REGULOWANYM POŁOŻENIEM

Boczne składane klapy można złożyć lub rozłożyć, aby zoptymalizować ułożenie naczyń w koszyku.

Kieliszki do wina można bezpiecznie umieścić, wkładając nóżkę każdego kieliszka do odpowiedniego otworu.

W zależności od modelu:

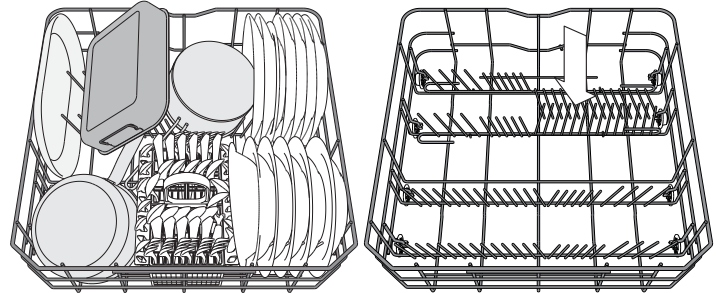
- aby rozłożyć klapy, należy wysunąć je do góry i obrócić lub zwolnić z zatrzasków i pociągnąć do dołu.
- aby złożyć klapy, należy obrócić je i wsunąć je do dołu lub wyciągnąć do góry i zamocować do zatrzasków.



## DOLNY KOSZ

Do garnków, pokrywek, talerzy, misek do sałatek, sztućców itp. Duże talerze i pokrywki powinny być umieszczane z boku, aby uniknąć stykania się z ramieniem natryskowym.

Dolny kosz jest wyposażony w podnoszone wsporniki, które mogą być używane w położeniu pionowym przy wkładaniu talerzy lub w położeniu poziomym, aby ułatwić wkładanie patelni i misek.

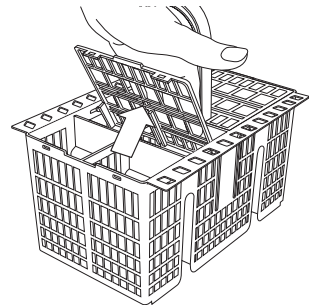


(przykład sposobu załadowania dolnego kosza)

## KOSZYK NA SZTUĆCE

Koszyk jest wyposażony w górne kratki, które pozwalają na lepsze rozmieszczenie sztućców. Koszyk na sztućce powinien być umieszczany tylko w przedniej części dolnego kosza.

**Noże i inne akcesoria o ostrych czubkach i krawędziach należy wkładać do koszyka na sztućce ostrzami skierowanymi w dół lub układać je poziomo na podnoszonych półeczkach, w górnym koszu.**



## SYSTEM POWER CLEAN W DOLNYM KOSZU

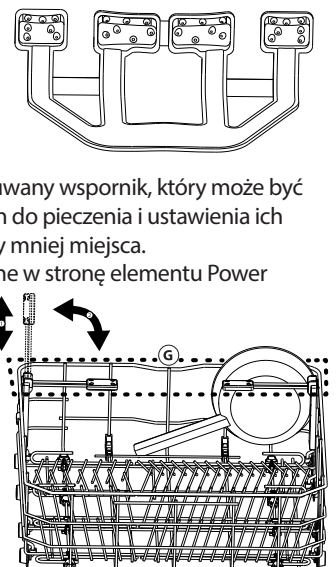
System Power Clean® wykorzystuje specjalne dysze wodne znajdujące się z tyłu komory, które pozwalają na intensywne mycie bardzo zabrudzonych naczyń. Dolny kosz posiada miejsce do umieszczenia dużych przedmiotów.

Z tyłu kosza znajduje się specjalny wysuwany wspornik, który może być używany do podparcia patelni lub blach do pieczenia i ustawienia ich pionowo, dzięki czemu będą zajmowały mniej miejsca.

Umieszczając garnki/patelnie skierowane w stronę elementu Power Clean®, należy włączyć **POWER CLEAN** na panelu sterowania.

Stosowanie opcji Power Clean®:

1. Dostosować obszar Power Clean (G), składając tylne uchwyty w taki sposób, aby móc włożyć garnki.
2. Włożyć przechylone w pionie garnki i patelnie w obszar Power Clean®. Garnki muszą być zwrócone w kierunku silnych dysz wodnych.



# CODZIENNA EKSPLOATACJA

## 1. SPRAWDZENIE PRZYŁĄCZA WODY

Sprawdzić, czy zmywarka jest podłączona do instalacji wodnej i czy zawór wody jest otwarty.

## 2. WŁĄCZANIE ZMYWARKI

Otworzyć drzwiczki i nacisnąć przycisk **WŁ./WYŁ.**

## 3. WKŁADANIE NACZYŃ DO KOSZA

(patrz ŁADOWANIE KOSZY)

## 4. NAPEŁNIANIE DOZOWNIKA DETERGENTU

## 5. WYBÓR PROGRAMU I DOSTOSOWANIE CYKLU

Wybrać najbardziej odpowiedni program, dostosowany do typu naczyń i stopnia ich zabrudzenia (patrz OPIS PROGRAMÓW), naciskając przycisk **P**.

Wybrać żądane opcje (patrz OPCJE I FUNKCJE).

## 6. START

Aby rozpocząć cykl zmywania, należy nacisnąć przycisk **START/Pauza** (zaświeci się dioda LED), a następnie w ciągu 4 sek. od tej czynności, zamknąć drzwiczki. Po uruchomieniu programu pojawi się pojedynczy sygnał dźwiękowy. Jeśli drzwiczki nie zostaną zamknięte w ciągu 4 sekund, rozlegnie się dźwięk alarmu. W takim przypadku otworzyć drzwiczki, nacisnąć przycisk **START/Pauza** i ponownie zamknąć drzwiczki w ciągu 4 sek.

## 7. KONIEC CYKLU ZMYWANIA

Zakończenie cyklu zmywania jest sygnalizowane przez sygnał dźwiękowy i migający komunikat numeru cyklu zmywania na wyświetlaczu.

Otworzyć drzwiczki i wyłączyć urządzenie, naciskając przycisk **WŁ./WYŁ.**

Przed wyjęciem naczyń odczekać kilka minut - aby uniknąć oparzenia. Wyjąć naczynia, zaczynając od dolnego kosza.

Po dłuższym czasie braku aktywności urządzenie wyłączy się automatycznie, w celu zminimalizowania zużycia energii elektrycznej. Gdy naczynia są tylko lekko zabrudzone lub przed umieszczeniem ich w zmywarce zostały spłukane wodą, można odpowiednio zmniejszyć ilość używanego detergentu.

## MODYFIKOWANIE URUCHOMIONEGO PROGRAMU

Jeżeli wybrano niewłaściwy program, można go zmienić, pod warunkiem, że właśnie się on rozpoczął: otworzyć drzwiczki, nacisnąć i przytrzymać przycisk **WŁ./WYŁ.**; urządzenie wyłączy się.

Włączyć zmywarkę z powrotem, za pomocą przycisku **WŁ./WYŁ.** i wybrać nowy cykl zmywania oraz żądane opcje; uruchomić cykl, naciskając przycisk **START/Pauza** i zamykając drzwiczki w ciągu 4 sek.

## UMIESZCZANIE DODATKOWYCH NACZYŃ

Otworzyć drzwiczki bez wyłączania urządzenia (**START/Pauza**, dioda ledowa zaczyna migać) (**uwaga na GORAĆĄ parę!**) i umieścić naczynia w zmywarce. Nacisnąć przycisk **START/Pauza** i zamknąć drzwiczki w ciągu 4 sek. Cykl zostanie wznowiony od momentu, w którym go przerwano.

## PRZYPADKOWE PRZERWY

Jeśli drzwiczki zostaną otwarte podczas zmywania lub nastąpi przerwa w zasilaniu, cykl zatrzyma się. Aby wznowić cykl od momentu, w którym został przerwany, nacisnąć przycisk **START/Pauza** i zamknąć drzwiczki w ciągu 4 sek.

# PORADY I WSKAZÓWKI

## PORADY

Przed włożeniem naczyń do kosza, należy usunąć wszystkie resztki jedzenia i opróżnić szklanki. **Nie trzeba ich wcześniej płukać pod bieżącą wodą.** Rozmieścić naczynia tak, aby były mocno utrzymywane na miejscu i nie mogły się przewrócić; pojemniki ułożyć tak, aby ich otwory były skierowane w dół, a wklęsłe/wypukłe elementy były ustawione ukośnie, dzięki czemu woda będzie mogła docierać do każdej powierzchni i swobodnie przepływać.

**Ostrzeżenie:** pokrywki, uchwyty, tace i patelnie nie mogą uniemożliwiać obracania się ramion natryskowych.

Wszystkie małe przedmioty należy umieszczać w koszyku na sztućce.

Bardzo zabrudzone naczynia i patelnie powinny być umieszczane w dolnym koszu, ponieważ w tej części komory zmywarki strumienie wody są silniejsze i zmywanie jest bardziej skuteczne.

Po włożeniu naczyń do zmywarki trzeba sprawdzić, czy ramiona natryskowe mogą obracać się swobodnie.

## NACZYŃNIA NIE NADAJĄCE SIĘ DO ZMYWANIA W ZMYWARKACH

- Naczynia i sztućce drewniane.
- Szklanki z delikatnym zdobieniem, wyroby artystyczne lub naczynia zabytkowe. Ich zdobienia nie są odporne.
- Elementy z tworzywa sztucznego, które nie są odporne na wysokie temperatury.
- Naczynia miedziane i cynowe.
- Naczynia zabrudzone popiołem, woskiem, smarem lub tuszem. Kolory szklanych dekoracji oraz aluminiowe/srebrne części mogą zmienić się lub ściemnieć podczas zmywania. Niektóre rodzaje wyrobów szklanych (np. kryształ) mogą stracić przezroczystość po zbyt wielu cyklach zmywania.

## USZKODZENIE NACZYŃ SZKLANYCH I PORCELANOWYCH

- W zmywarkach można myć tylko takie naczynia szklane i porcelanowe, których producent deklaruje, że są przeznaczone do zmywarek.
- Używać delikatnego detergentu, przeznaczonego do porcelany
- Naczynia szklane i porcelanowe należy wyjmować ze zmywarki, jak tylko zmywanie się skończy.

## WSKAZÓWKI DOTYCZĄCE OSZCZĘDZANIA ENERGII

- Jeśli zmywarka domowa użytkowana jest zgodnie z zaleceniami producenta, **zmywanie naczyń w zmywarce zazwyczaj pochłania MNIEJ ENERGII ELEKTRYCZNEJ i mniej wody niż zmywanie ręczne.**
- Aby maksymalnie zwiększyć wydajność zmywarki, **należy uruchamiać cykl zmywania po pełnym załadunku urządzenia.** Ładowanie zmywarki domowej w stopniu zalecanym przez producenta przyczyni się do oszczędności energii elektrycznej i wody. Informacje na temat prawidłowego ładowania naczyń w zmywarce można odnaleźć w rozdziale ŁADOWANIE KOSZY. W przypadku częściowego załadunku, zaleca się skorzystanie ze specjalnych opcji, jeśli są one dostępne (Połowa załadunku/ Zone Wash/ Multizone), zapelniając jedynie wybrane kosze. Nieprawidłowe lub nadmierne ładowanie zmywarki może spowodować zwiększenie zużycia mediów (np. wody, energii, czasu lub zwiększenie poziomu hałasu), co wpływa negatywnie na wydajność suszenia.
- Ręczne spłukiwanie naczyń przyczynia się do większego zużycia wody i energii elektrycznej i nie jest zalecane.

## DEZYNFEKCJA ZMYWARKI

Aby uniknąć powstawania nieprzyjemnych zapachów i tworzenia się osadów, które mogą pojawić się w zmywarce, **należy co najmniej raz w miesiącu włączyć program z wysoką temperaturą.** Aby wyczyścić zmywarkę, należy wyspać/wlać jedną łyżeczkę detergentu i włączyć program bez wkładania naczyń.

# UTRZYMANIE I KONSERWACJA

## CZYSZCZENIE ZESPOŁU FILTRA

Zespół filtra należy regularnie czyścić, zapobiegając jego zapychaniu i zapewniając prawidłowy odpływ ścieków.

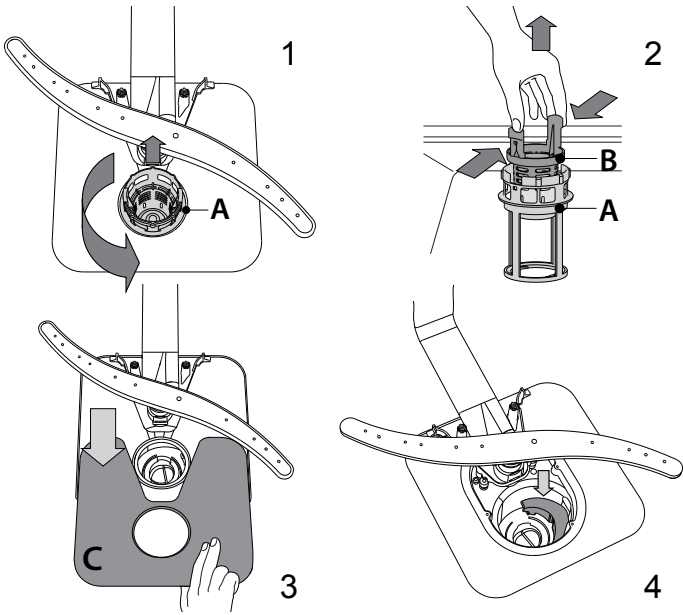
Używanie zmywarki, w której zablokowane są filtry lub zawierającej ciała obce w układzie filtrowania może spowodować nieprawidłowe działanie urządzenia, co prowadzi do obniżenia wydajności, głośnej pracy lub większego wykorzystania mediów.

Zespół filtra składa się z trzech filtrów, które usuwają resztki jedzenia z myjącej wody, a następnie umożliwiają jej obieg.

**Nie wolno używać zmywarki bez filtrów lub jeśli filtry są źle zamocowane.**

Co najmniej raz na miesiąc lub po każdym 30 cyklach zmywania należy sprawdzić zespół filtra i w razie potrzeby oczyścić go dokładnie pod bieżącą wodą za pomocą szczoteczki z niemetalem włosiem i postępując zgodnie z poniższymi instrukcjami:

1. Odkręcić filtr cylindryczny **A** w kierunku ruchu wskazówek zegara i wyciągnąć go (Rys. 1).
2. Zdjąć korek filtra **B** lekko naciskając boczne klapki (Rys. 2).
3. Wysunąć filtr płytkowy ze stali nierdzewnej **C** (Rys. 3).
4. W przypadku odnalezienia ciał obcych (np. potłuczonego szkła, porcelany, kości, pestek owoców itp.), **należy je ostrożnie wyjąć**.
5. Sprawdzić syfon i usunąć wszelkie resztki potraw. **NIGDY NIE NALEŻY WYJMOWAĆ** osłony pompy cyklu myjącego (czarny element) (Rys. 4).



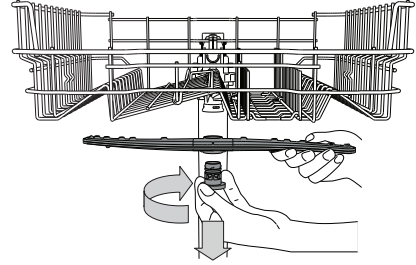
Po oczyszczeniu filtrów założyć z powrotem zespół filtra i zamocować go w prawidłowym położeniu; jest to niezbędne dla utrzymania sprawnego funkcjonowania zmywarki.

## CZYSZCZENIE WĘŻA DOPŁYWOWEGO WODY

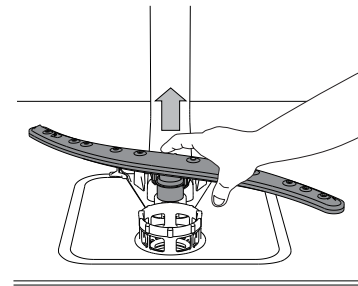
Jeśli węże wody są nowe lub nie były używane przez dłuższy czas, to przed wykonaniem niezbędnych połączeń należy przepuścić przez nie strumień wody, aby upewnić się, czy woda jest czysta i wolna od zanieczyszczeń. Jeśli takie środki ostrożności nie zostaną podjęte, wlot wody może zostać zablokowany, a zmywarka uszkodzona.

## CZYSZCZENIE RAMION NATRYSKOWYCH

Może się zdarzyć, że resztki potraw pozostaną na ramionach natryskowych i będą zatykać otwory, przez które wytryskiwana jest woda. Dlatego też zaleca się, aby od czasu do czasu sprawdzić ramiona natryskowe i oczyścić je małą szczoteczka z niemetalem włosiem.



Aby zdjąć górne ramię natryskowe należy przekręcić plastikowy pierścień blokujący w kierunku ruchu wskazówek zegara. Górne ramię natryskowe powinno zostać z powrotem założone w taki sposób, aby strona z większą liczbą otworów była skierowana do góry.



Dolne ramię natryskowe można wyjmować pociągając je w górę.

## SYSTEM ZMIĘKCZANIA WODY

Zmiękczacz wody automatycznie zmniejsza twardość wody, tym samym zapobiegając nagromadzeniu osadu na grzałce co z kolei przyczynia się do większej wydajności zmywania.

**System sam regeneruje się przy pomocy soli, zatem zbiornik soli należy uzupełniać jak tylko będzie pusty.**

Częstotliwość regeneracji jest uzależniona od ustawienia stopnia twardości wody - regeneracja ma miejsce raz na 6 cykli Eco przy poziomie twardości wody ustawionym na 3.

Proces regeneracji rozpoczyna się wraz z ostatnim płukaniem i kończy podczas etapu suszenia przed końcem cyklu.

- Podczas jednej regeneracji: ~Zużycie 3.5 L wody;
- Dodatkowe 5 minut cyklu;
- Zużycie poniżej 0,005 kWh energii elektrycznej.

# USUWANIE USTEREK

Jeśli zmywarka nie działa prawidłowo, należy sprawdzić czy problem można rozwiązać wykonując czynności opisane poniżej. W przypadku błędów lub problemów prosimy skontaktować się z zakładem serwisowym, którego dane kontaktowe można odnaleźć w książeczce gwarancyjnej. Części zamienne będą dostępne przez okres do 7 lub do 10 lat, zgodnie z określonymi wymaganiami rozporządzenia.

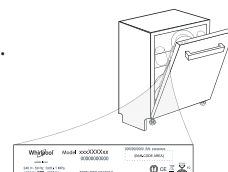
PROBLEM	MOŻLIWE PRZYCZYNY	ROZWIĄZANIE
Świeci się wskaźnik poziomu soli	Zbiornik soli jest pusty. (Po napełnieniu kontrolka poziomu soli może się świecić po zakończeniu kilku kolejnych programów zmywania).	Napełnić zbiornik solą (aby uzyskać więcej informacji, patrz strona 2). Dostosować poziom twardości wody, patrz tabela strona 2.
Świeci się wskaźnik dozownika płynu nablyszczającego	Dozownik płynu nablyszczającego jest pusty. (Po napełnieniu kontrolka dozownika płynu nablyszczającego może się świecić po zakończeniu kilku kolejnych programów zmywania).	Napełnić dozownik nablyszczaczem (aby uzyskać więcej informacji, patrz strona 2).
Zmywarka nie włącza się lub nie reaguje na polecenia.	Urządzenie nie zostało prawidłowo podłączone do zasilania. Przerwa w dopływie prądu. Drzwiczki zmywarki nie są zamknięte. Sworzeń NaturalDry nie jest wsunięty. Cykl został przerwany otwarciem drzwiczek przez > 4 sekundy. Nie reaguje na polecenia. Na wyświetlaczu widoczny jest komunikat: Dioda 9 albo 12 i Wł./Wył. szybko migają.	Włożyć wtyczkę przewodu zasilającego do gniazdka. Ze względów bezpieczeństwa, zmywarka nie wznowi automatycznie pracy po ponownym włączeniu prądu. Otworzyć drzwiczki zmywarki, nacisnąć przycisk START/Pauza i zamknąć drzwiczki w przeciągu 4 sekund. Energicznie popchnąć drzwiczki tak, aby było słychać że zostały "zatrzasknięte". Nacisnąć przycisk START/Pauza i zamknąć drzwiczki w ciągu 4 sekund. Wyłączyć urządzenie naciskając przycisk <b>WŁ./WYŁ.</b> , po ok. jednej minucie włączyć je z powrotem i zrestartować program. Jeśli problem nadal występuje, należy odłączyć urządzenie na 1 minutę a następnie podłączyć ponownie.
Zmywarka nie odpompowuje wody. Na wyświetlaczu widoczny jest komunikat: Dioda 3 i Wł./Wył. szybko migają.	Cykl zmywania jeszcze nie został zakończony. Wąż spustowy jest zagięty. Rura odpływu zlewu jest zatkana. Filtr jest zatkany resztkami potraw	Poczekać, aż skończy się cykl zmywania. Sprawdzić, czy wąż odpływowy nie jest zagięty (patrz INSTRUKCJA INSTALACJI). Oczyścić rurę odpływu w zlewie. Oczyścić filtr (patrz CZYSZCZENIE ZESPOŁU FILTRA).
Zmywarka pracuje zbyt głośno.	Naczynia uderzają o siebie. Wytwarzana jest nadmierna ilość piany.	Prawidłowo ułożyć naczynia (patrz ŁADOWANIE KOSZY). Porcja detergentu nie została poprawnie odmierzona, albo detergent nie nadaje się do stosowania w zmywarkach (patrz NAPEŁNIANIE DOZOWNIKA DETERGENTU). Zrestartować bieżący cykl wyłączając zmywarkę, następnie włączyć ponownie, wybrać nowy program, nacisnąć przycisk START/Pauza i zamknąć drzwiczki w przeciągu 4 sekund. Nie dodawać żadnego detergentu.
Naczynia nie są czyste.	Naczynia nie zostały prawidłowo rozmieszczone. Ramiona natryskowe nie mogą obracać się swobodnie, zaczepiają się o naczynia. Cykl zmywania jest zbyt delikatny. Wytwarzana jest nadmierna ilość piany. Pokrywka przegródki na płyn nablyszczający nie została prawidłowo zamknięta. Filtr jest brudny lub zatkany. Nie ma soli.	Prawidłowo ułożyć naczynia (patrz ŁADOWANIE KOSZY). Prawidłowo ułożyć naczynia (patrz ŁADOWANIE KOSZY). Wybierz odpowiedni cykl zmywania (patrz TABELA PROGRAMÓW). Porcja detergentu nie została poprawnie odmierzona, albo detergent nie nadaje się do stosowania w zmywarkach (patrz NAPEŁNIANIE DOZOWNIKA DETERGENTU). Upewnić się, czy dozownik płynu nablyszczającego jest zamknięty. Oczyścić zespół filtra (patrz UTRZYMANIE I KONSERWACJA). Napełnić zbiornik soli (patrz NAPEŁNIANIE ZBIORNIKA SOLI).
Zmywarka nie napełnia się wodą. Na wyświetlaczu widoczny jest komunikat: Dioda H, 6 i Wł./Wył. szybko migają.	Brak wody w sieci wodociągowej lub zawór jest zamknięty. Wąż dopływowy jest zagięty. Sitko w węży dopływowy wody jest zapchane; niezbędne jest jego oczyszczenie.	Sprawdzić, czy woda dopływa z sieci wodociągowej lub czy zawór jest otwarty. Sprawdzić czy wąż dopływowy nie jest zagięty (zobacz INSTALACJA), następnie ponownie zaprogramować i włączyć zmywarkę. Po wykonaniu sprawdzenia i oczyszczenia należy wyłączyć i włączyć zmywarkę, i rozpocząć nowy program.
Zmywarka kończy cykl przedwcześnie. Na wyświetlaczu widoczny jest komunikat: Dioda 15 i Wł./Wył. szybko migają.	Wąż dopływowy ustawiony jest zbyt nisko lub zasysa do kanalizacji domowej. Powietrze w dopływie wody.	Sprawdzić czy końcówka węża dopływowego umieszczona jest na prawidłowej wysokości (zobacz INSTALACJA). Należy sprawdzić pod kątem zasysania do kanalizacji domowej, w razie potrzeby zainstalować zawór wpustowy. Sprawdzić układ doprowadzania wody pod kątem wycieków lub innych problemów mogących wiązać się z przepuszczaniem powietrza.

Zasady, standardową dokumentację, informacje na temat zamawiania części zamiennych oraz dodatkowe informacje o produkcie można znaleźć:



- Odwiedzając naszą stronę internetową [docs.whirlpool.eu/docs](https://docs.whirlpool.eu/docs) i [parts-selfservice.europeanappliances.com](https://parts-selfservice.europeanappliances.com) Przy użyciu kodu QR
- Ewentualnie można skontaktować się z naszą obsługą posprzedażową (patrz numer telefonu w książeczce gwarancyjnej). Kontaktując się z naszą obsługą posprzedażową, należy podać kody zamieszczone na tabliczce znamionowej produktu.

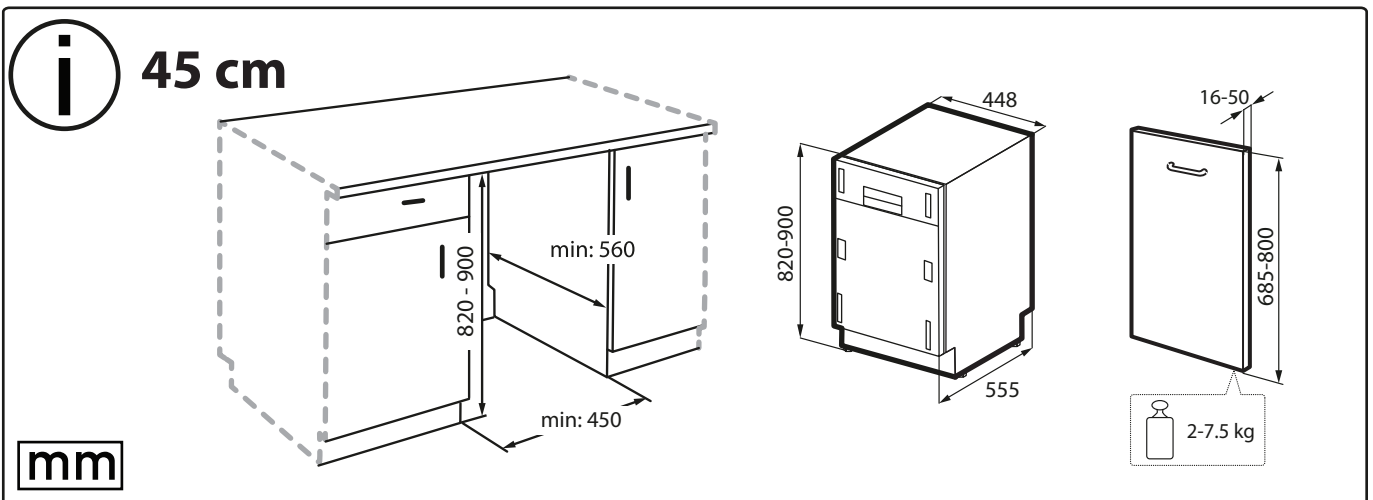
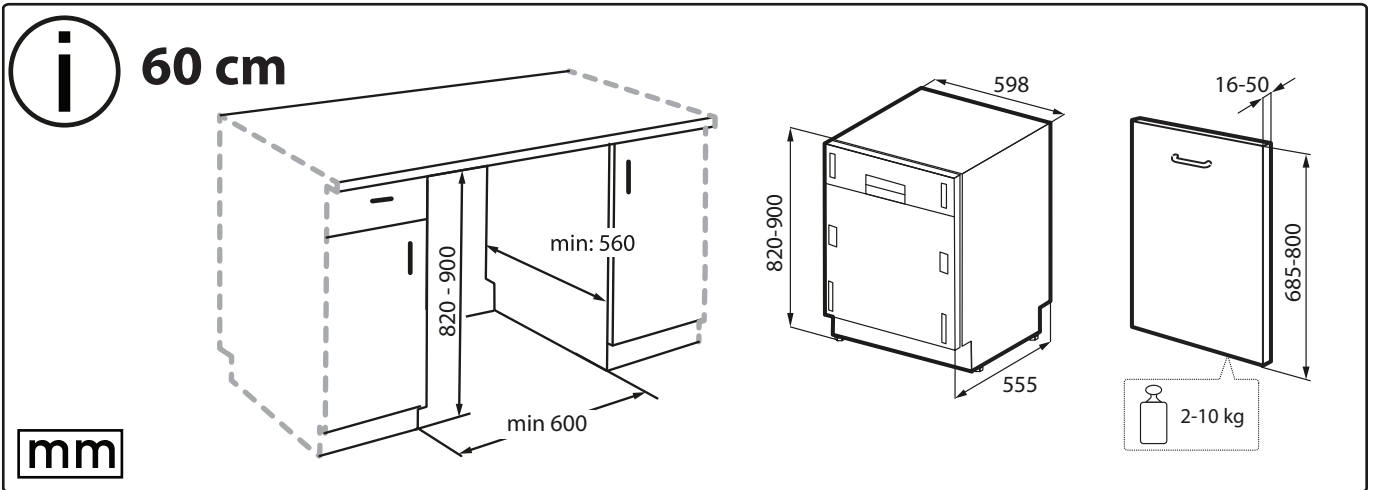
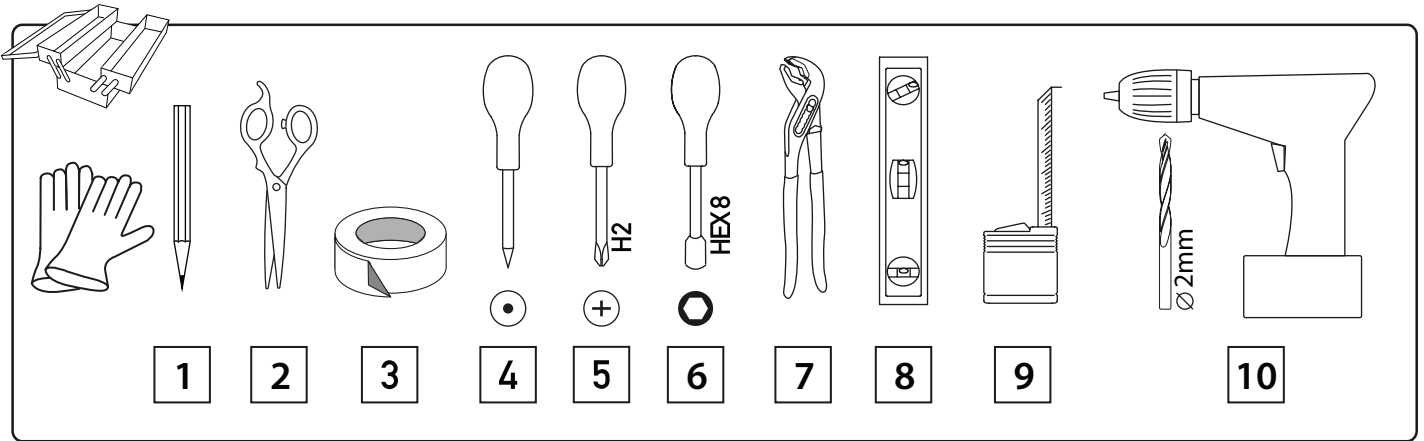
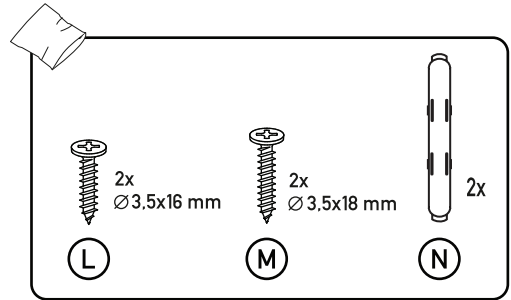
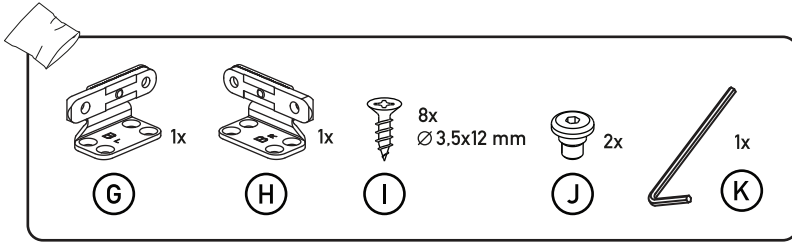
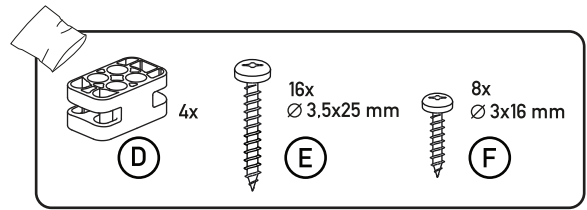
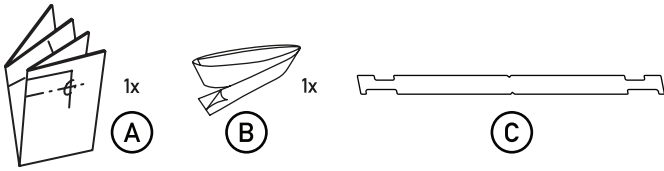
Informacje o modelu można uzyskać przy pomocy kodu QR podanego na etykiecie energetycznej. Etykieta zawiera również identyfikator modelu, którego można użyć do znalezienia informacji na portalu rejestru pod adresem <https://eprel.ec.europa.eu>

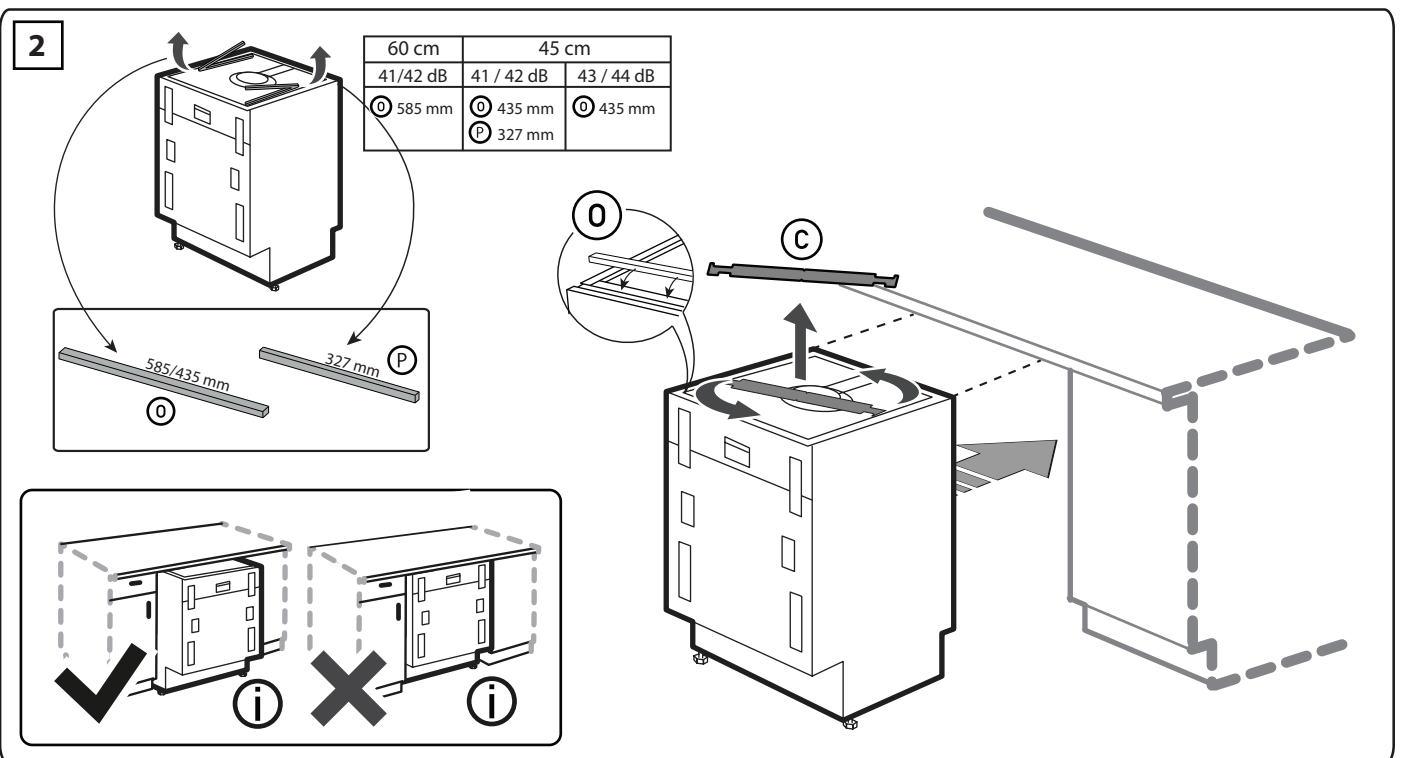
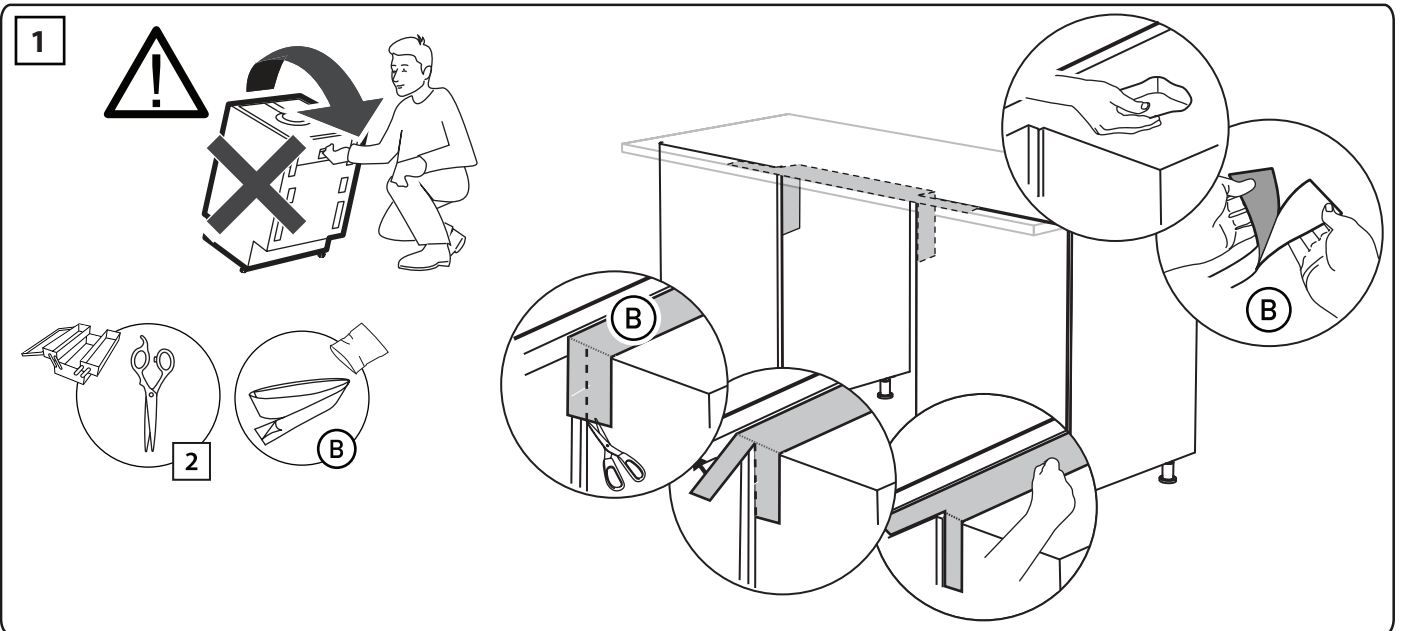
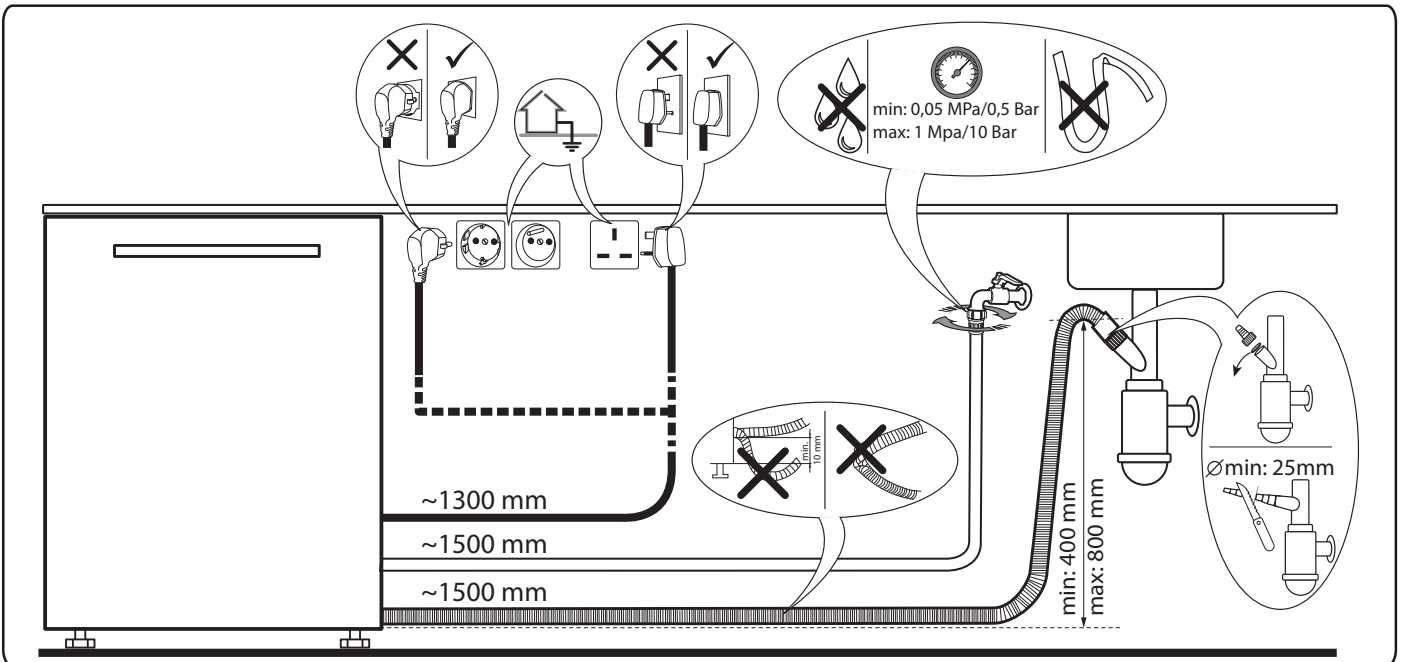


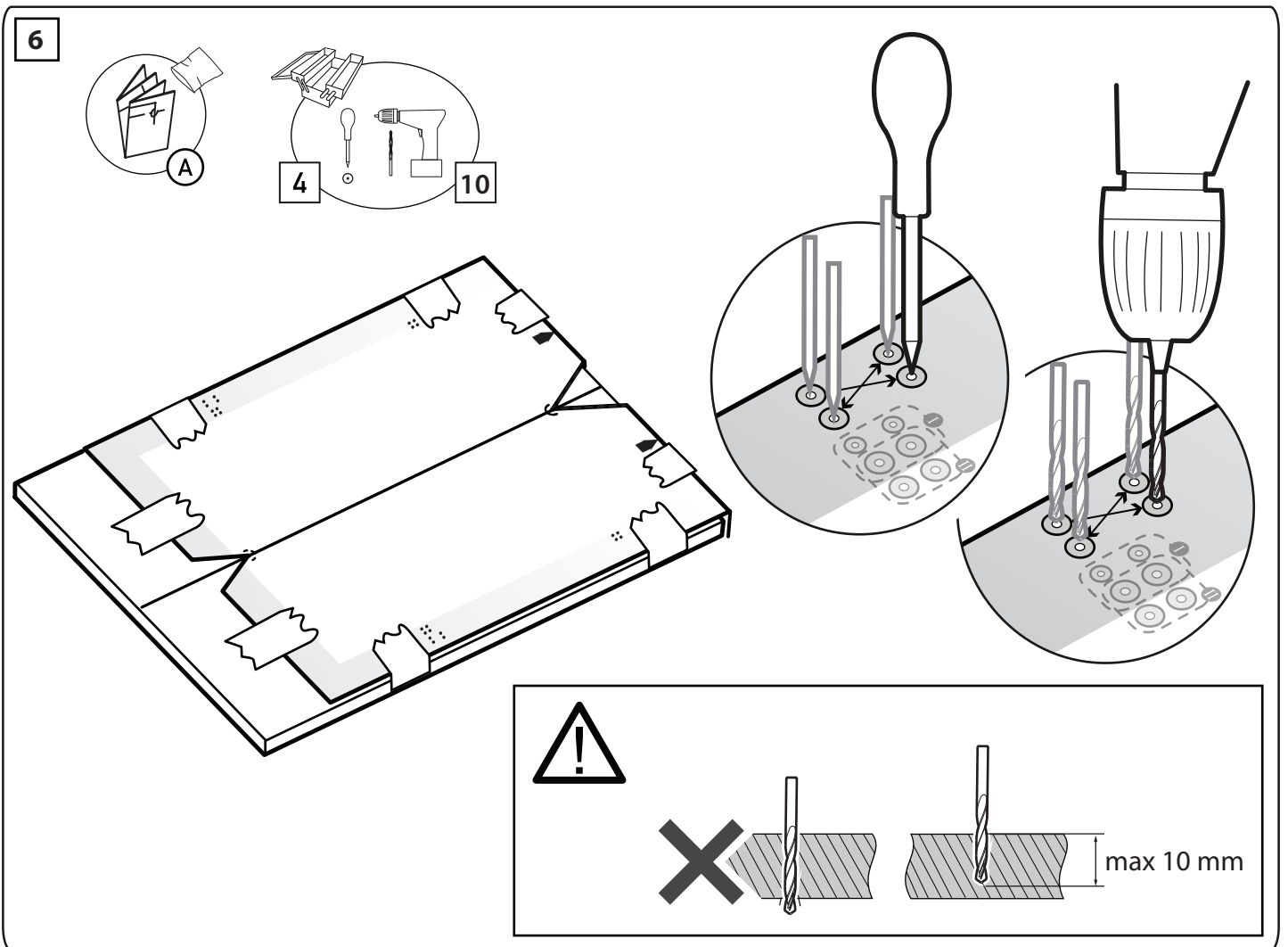
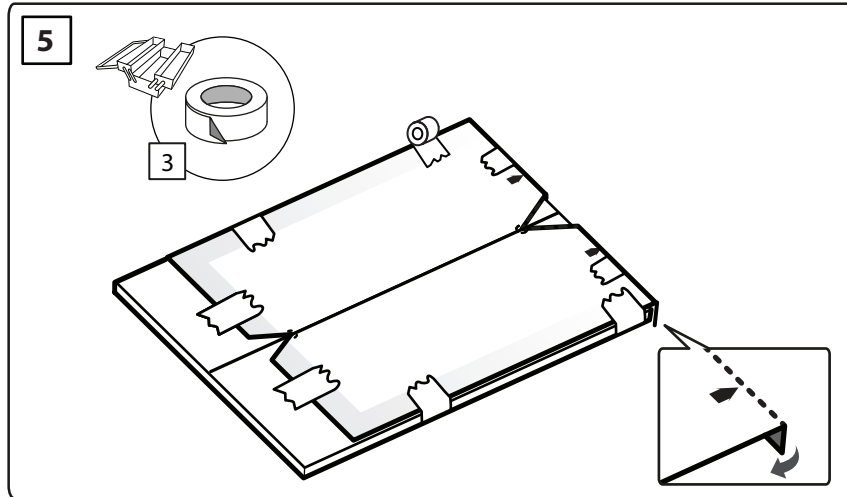
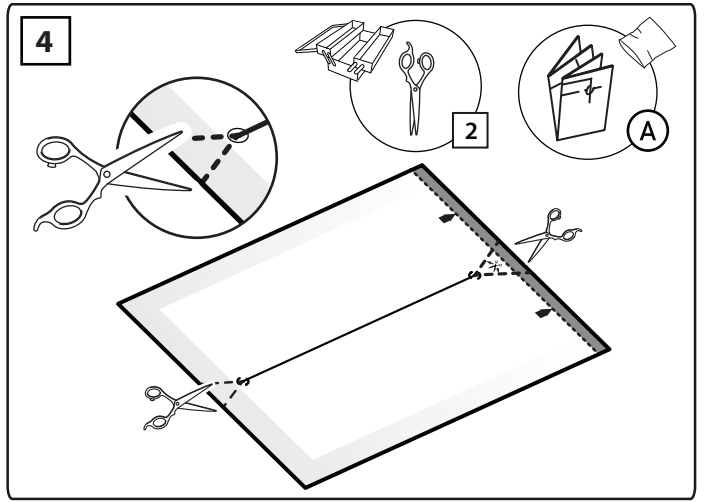
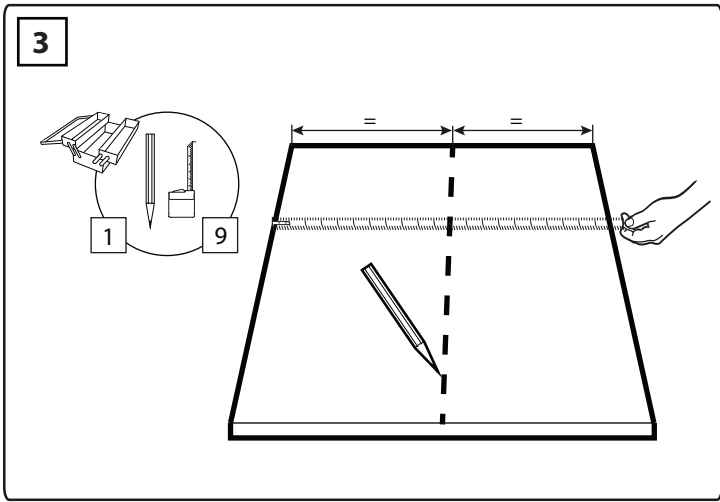
**400011452739B**

12/2024 ks - Xerox Fabriano

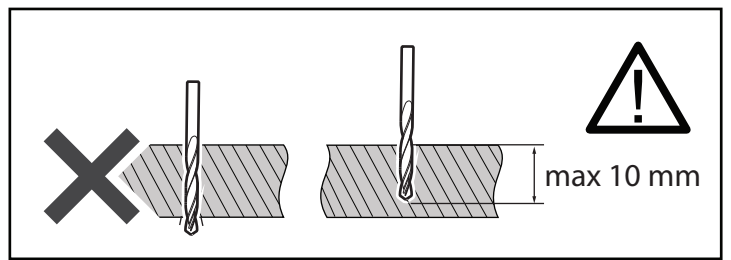
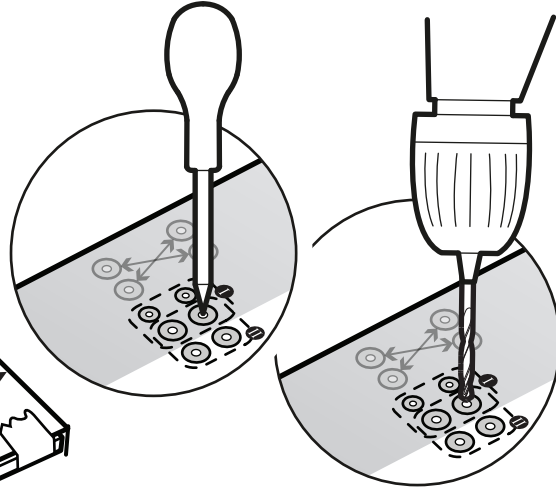
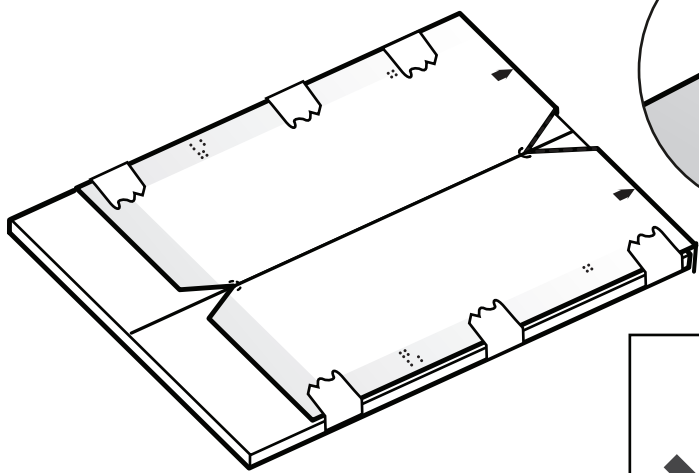
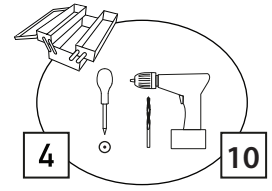
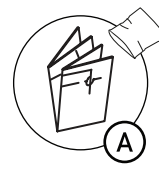
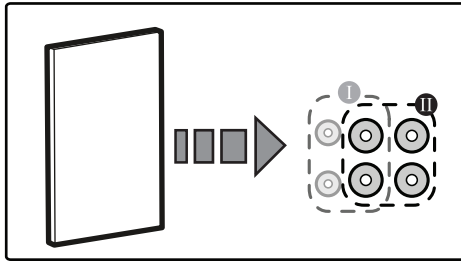
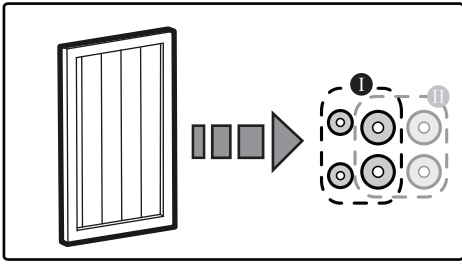




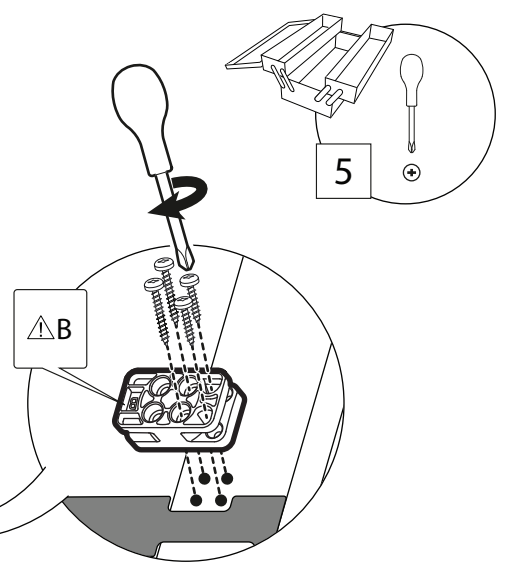
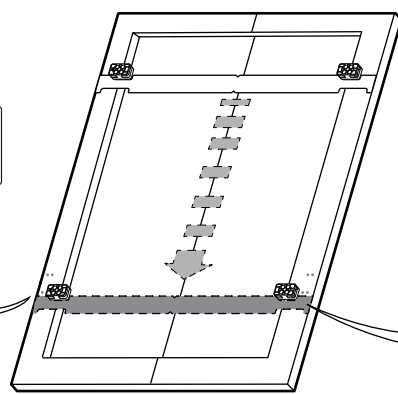
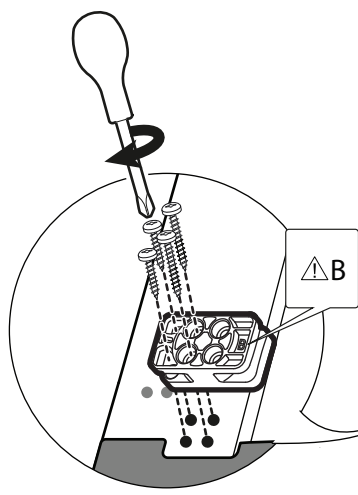
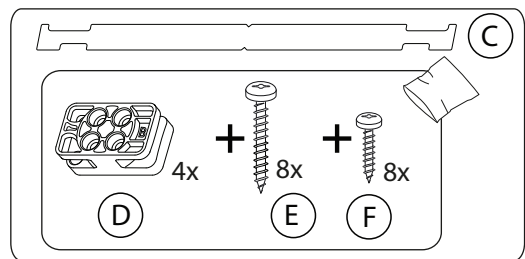
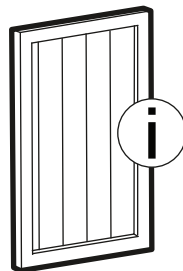
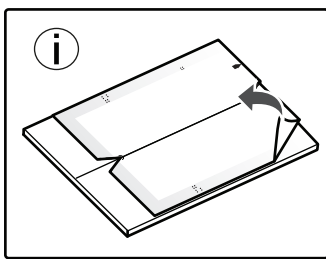




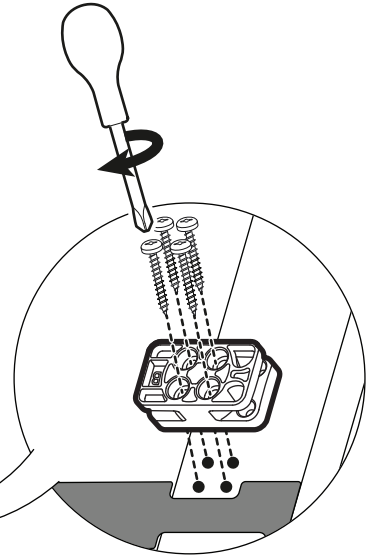
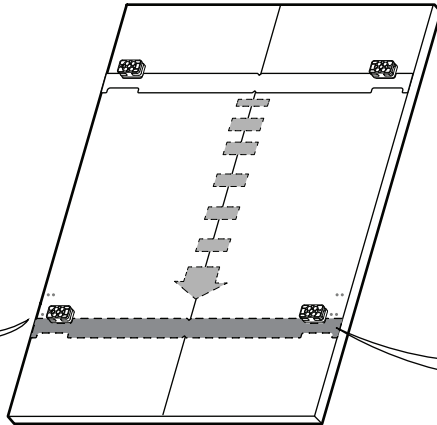
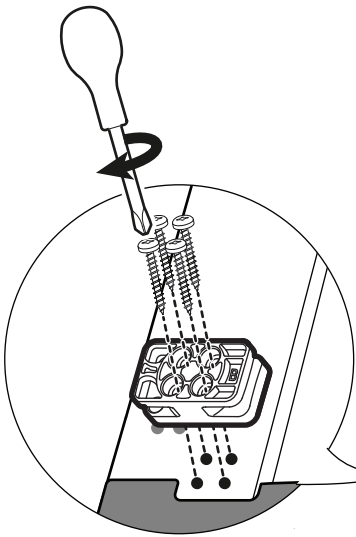
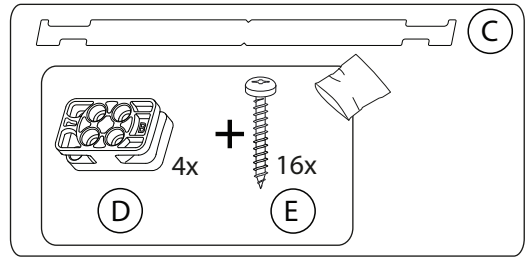
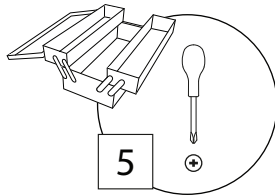
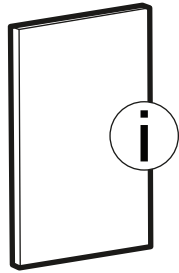
7



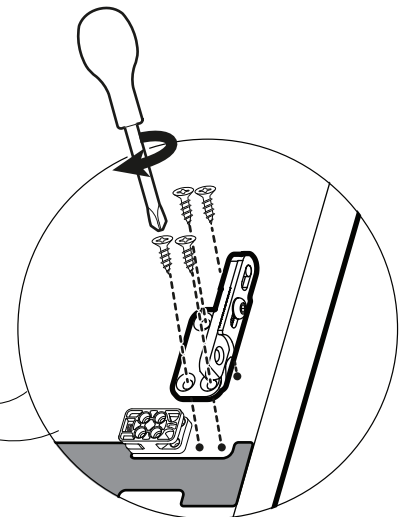
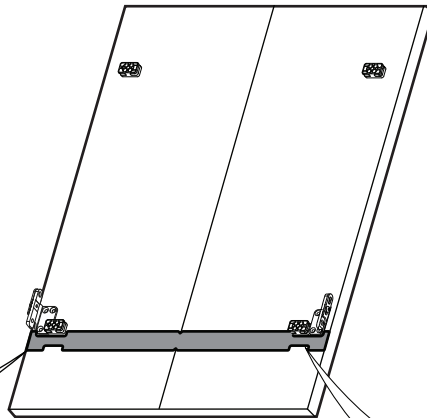
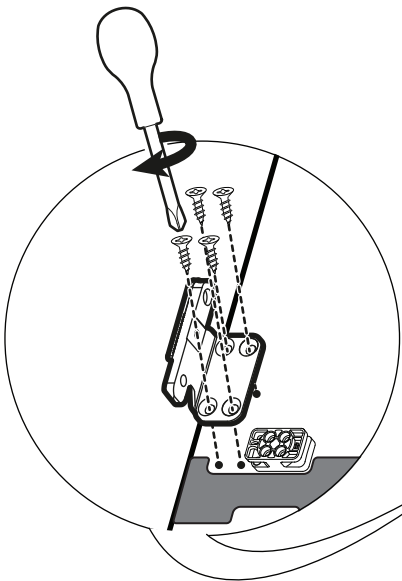
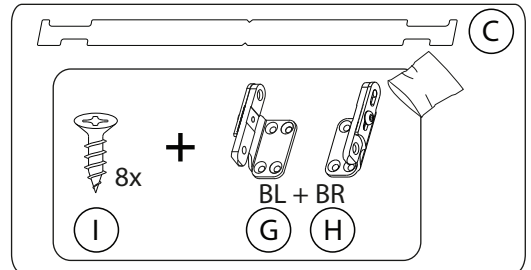
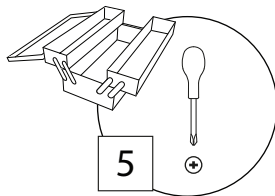
8-1

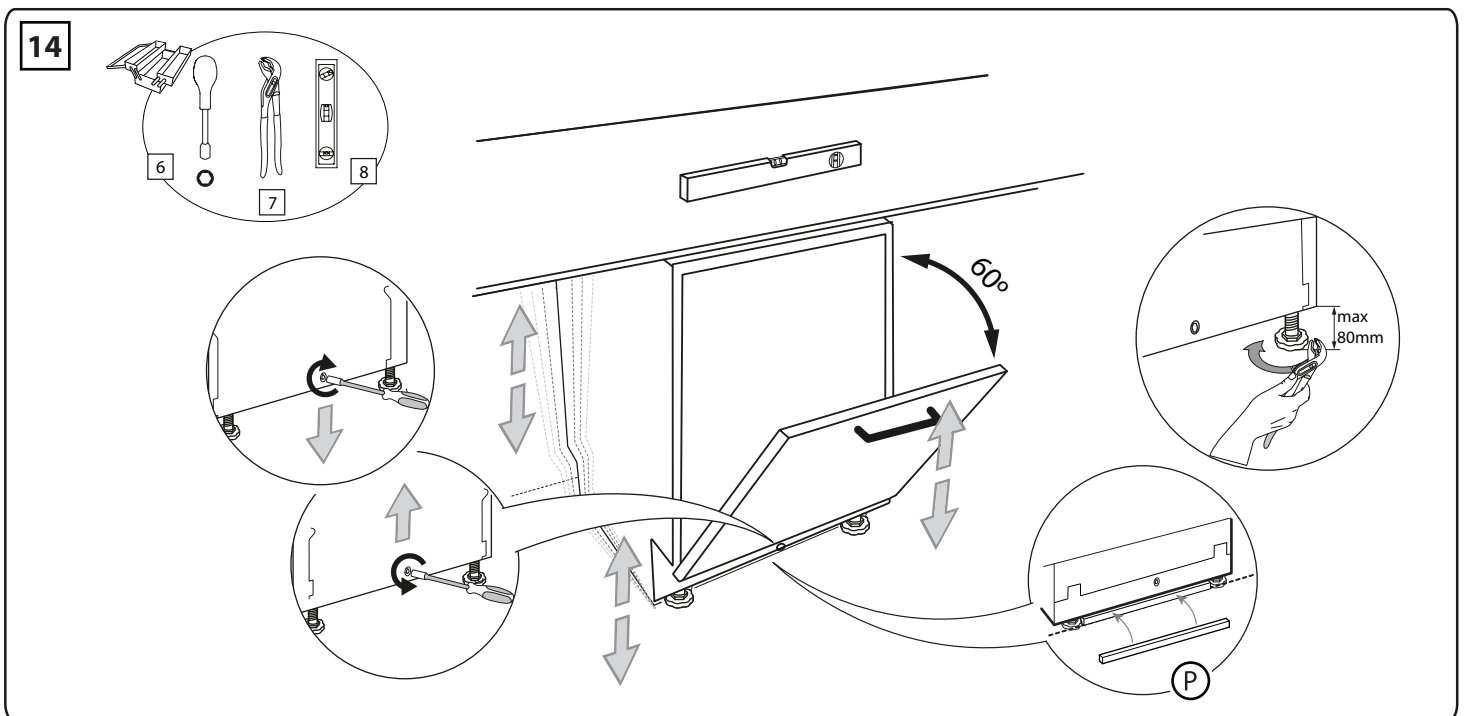
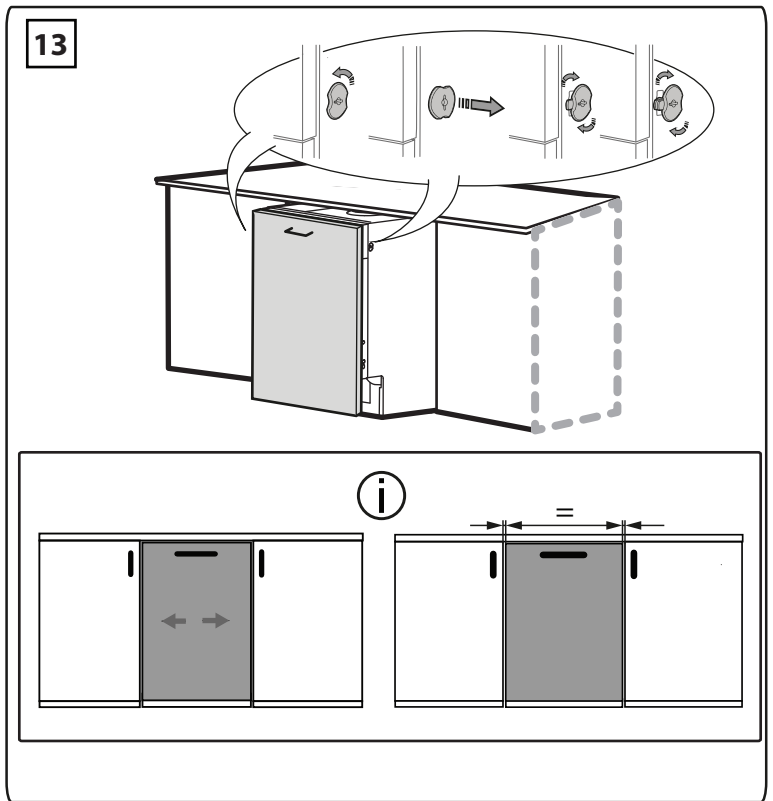
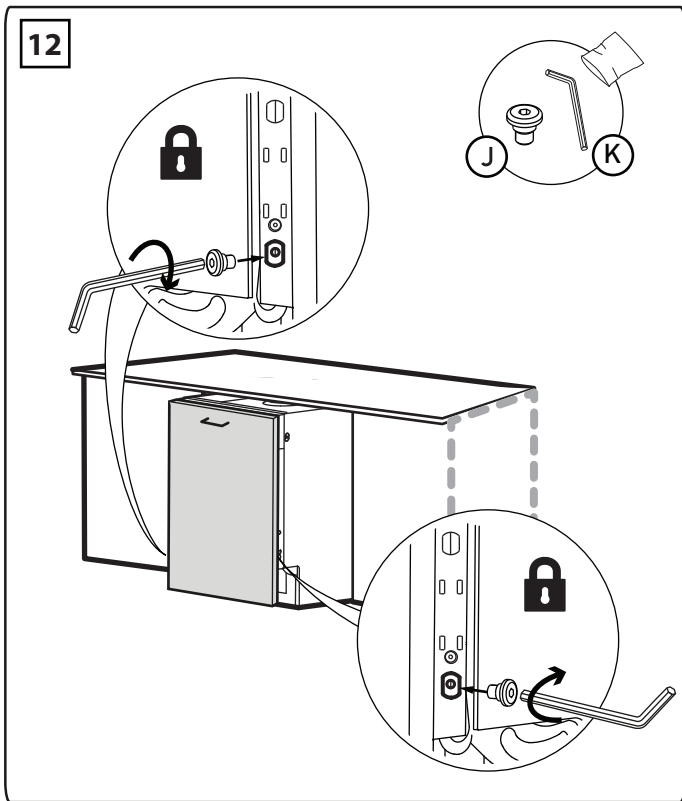
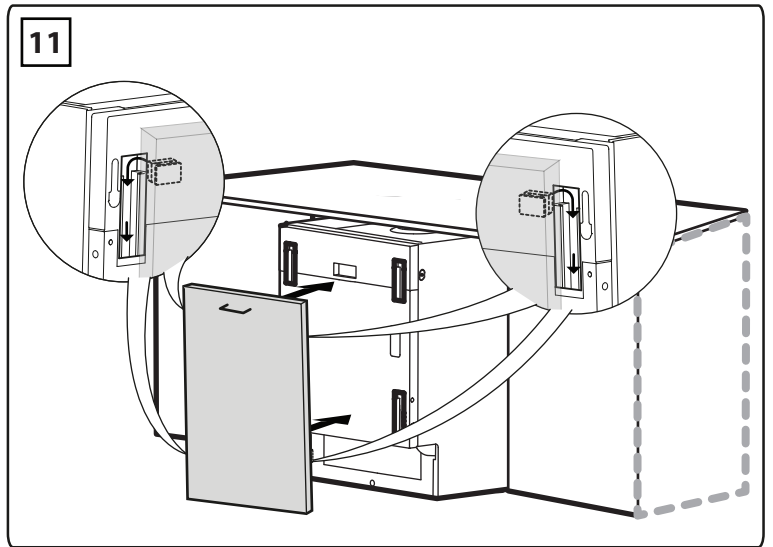
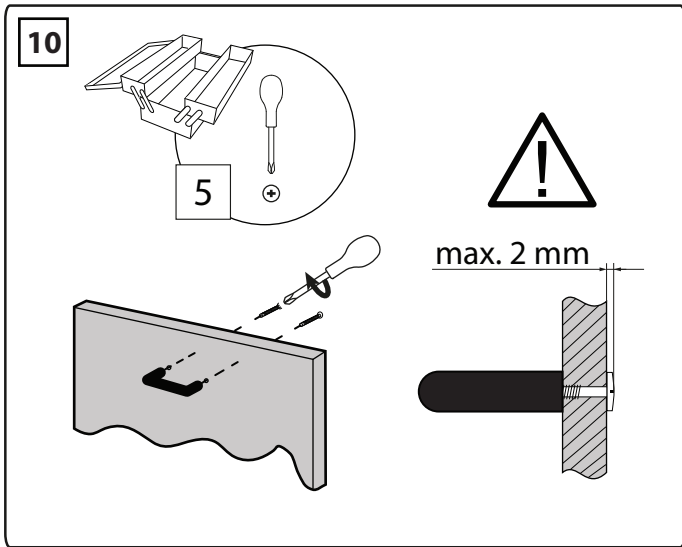


8-II

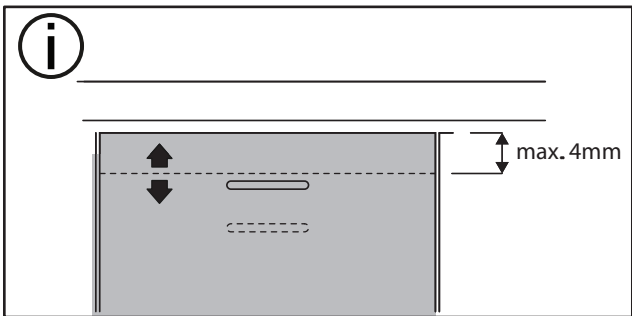
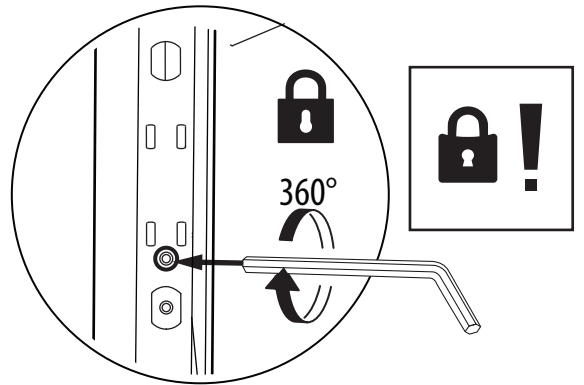
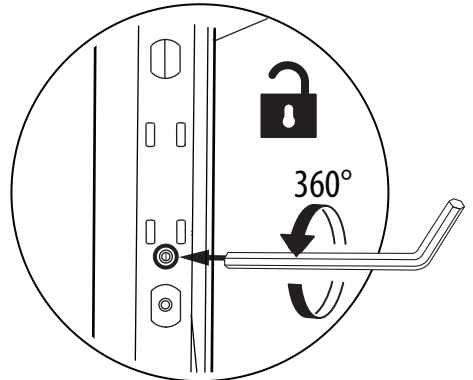
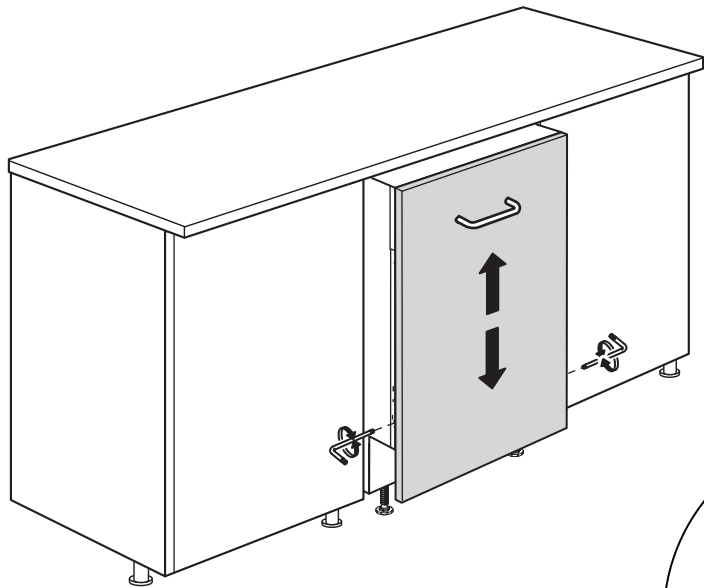
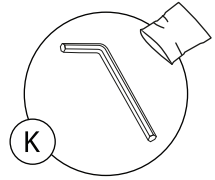
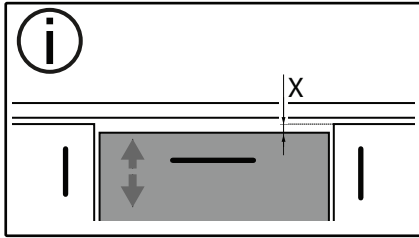
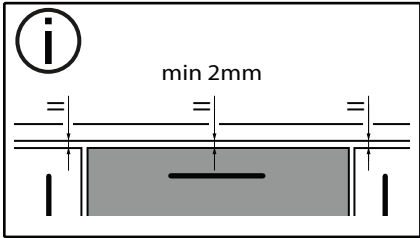


9

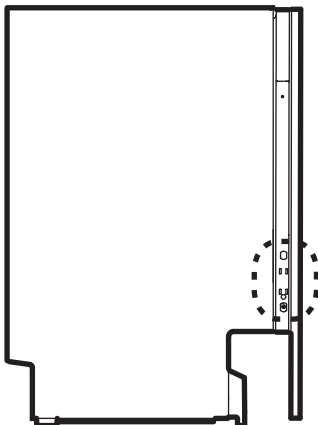
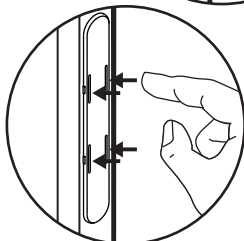
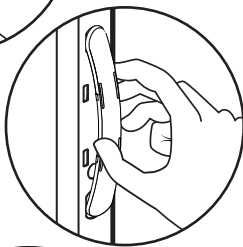
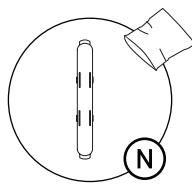
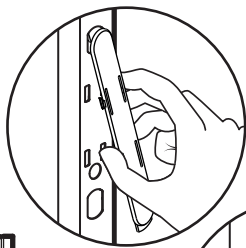
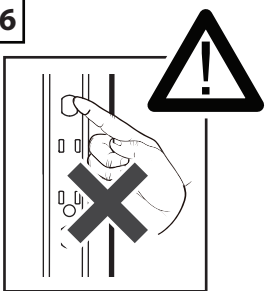




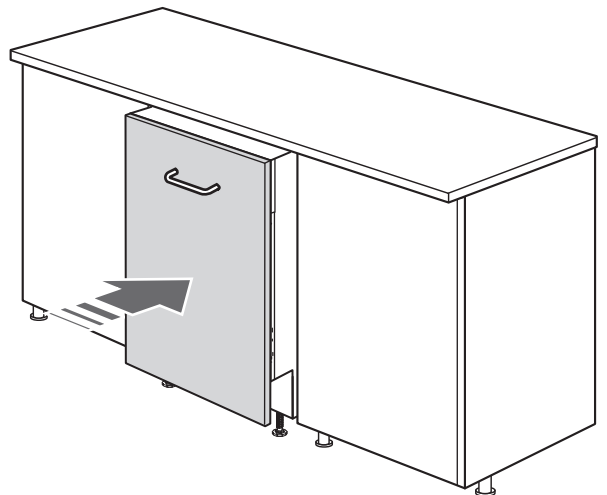
15



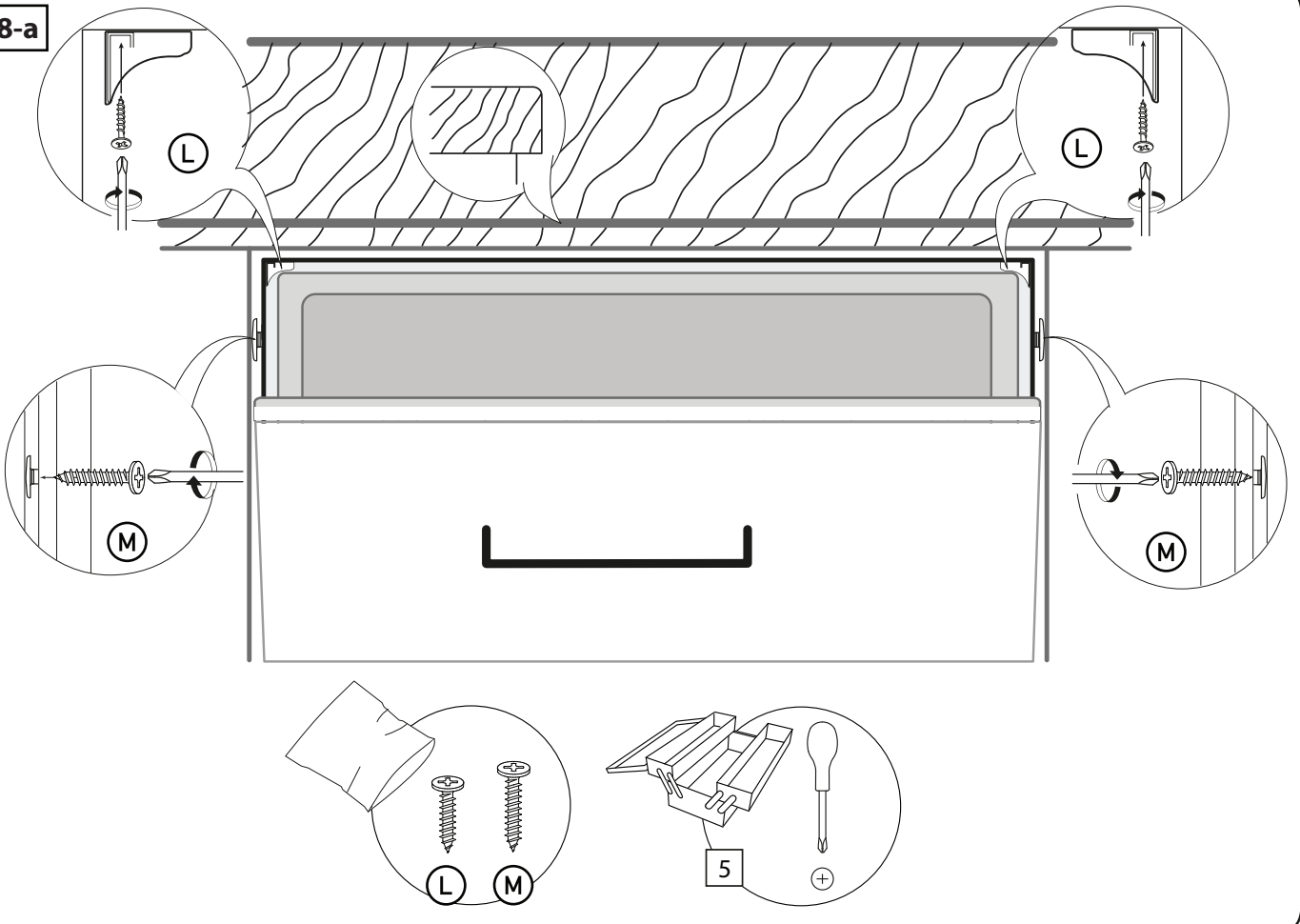
16



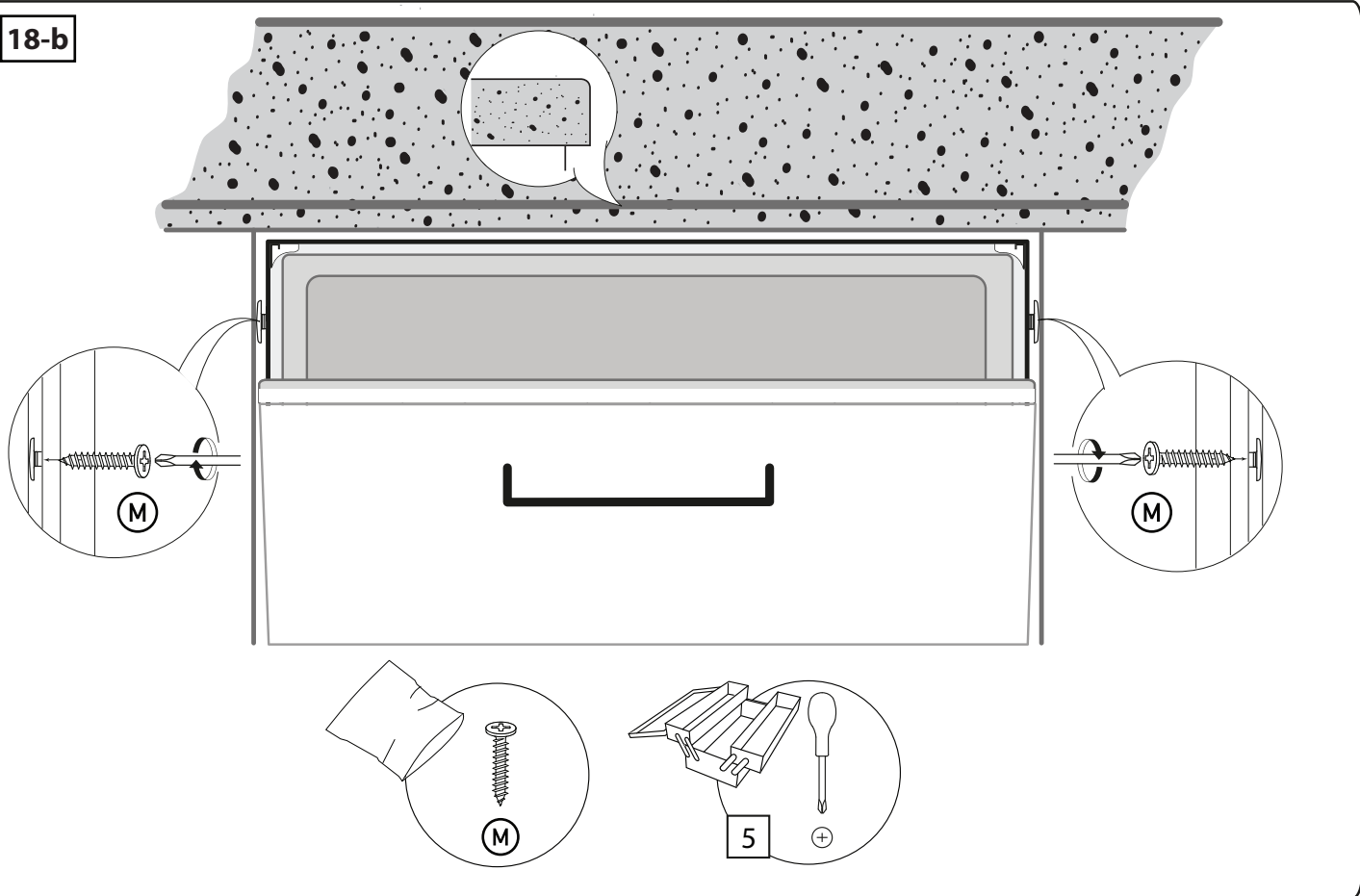
17



18-a



18-b



400011430081E

04/2021 as - Xerox Fabriano

