

# Haier

Models:

H2F-220WSAA

H2F-220WF

H2F-220SF

H2F-228WF

H2F-320WF

H2F-320SF

H2F-210WE

H2F-245WSA

H2F-255FSAA

H2F-255WSAA

<b>GB</b>	<b>Instruction for use Freezer</b>
<b>IT</b>	<b>Istruzioni sull'uso del congelatore</b>
<b>ES</b>	<b>Instrucciones de uso del congelador</b>
<b>DE</b>	<b>Gebrauchsanweisung Gefrierschrank</b>
<b>FR</b>	<b>Instructions d'utilisation Congélateur</b>
<b>NL</b>	<b>Gebruiksaanwijzing voor de vriezer</b>
<b>CS</b>	<b>Návod k použití Mraznička</b>
<b>PL</b>	<b>Instrukcja obsługi zamrażarki</b>
<b>EL</b>	<b>Οδηγίες χρήσης καταψύκτη</b>
<b>SL</b>	<b>Navodila za uporabo zamrzovalnika</b>

# INTRODUCTION

Thanks for purchasing a Haier Product

Please read these instructions carefully before using this appliance. The instructions contain important information which will help you get the best out of the appliance and ensure safe and proper installation, use and maintenance.

Keep this manual in a convenient place so you can always refer to it for the safe and proper use of the appliance.

If you sell the appliance, give it away, or leave it behind when you move house, make sure you also pass on this manual so that the new owner can become familiar with the appliance and safety warnings.

Manufacture : Qingdao Haier Special Icebox Co.,Ltd.  
Address : Haier Garden,Qianwangang Road,Economic  
Development Zone,Qingdao 266555,Shandong,P.R.China

<http://www.haier.com>

# INDEX

CAUTIONS .....	3
BEFORE USE.....	6
FUNCTIONS .....	8
MAINTENACE .....	14
TROUBLE-SHOOTING .....	15

# CAUTIONS

## Legend

- ⓘ Attention
- ⚠ Caution
- ⊘ Prohibited

## Before use...

ⓘ This appliance use AC power supply.

Please connect the appliance to normal voltage. In case of voltage fluctuation, the appliance may fail to start up, the temperature controller or the compressor may be damaged or has abnormal noises. At this time, please add proper stabilizer.

ⓘ An earthed (grounded) socket MUST be used.

You must ensure that the power supply is connected to earth and is properly grounded. The power cable (power cord) and its plug must not altered or changed. The plug and socket should be easily accessible when the appliance is installed in its final position, so the power can be safely switched off during cleaning or other maintenance.

Ensure the plug is always pushed fully into the socket.

⊘ Do not damage the power cord.

Do not pull the power cord to disconnect the plug. Please hold the plug to detach it directly from the socket. The body of the appliance shall not press on the power cord and do NOT stamp on the power cord.

⊘ When the power cord is damaged:

When the power cord is damaged or the plug is worn, do not use. The worn or damaged power cord must be replaced at the specified maintenance provider by the manufacturer or by the qualified personnel.

If a longer power cord is needed, the cross-sectional area of the added power cord shall not be less than 0.75 mm<sup>2</sup>.

ⓘ Keep ventilation openings, in the appliance enclosure or in the built-in structure, clear of obstruction.

ⓘ When flammable gas such as natural gas leaks:

Close the valve which leaks the gas. Open house door and window. DO NOT unplug/plug the power plug of the appliance or other electrical appliances.

ⓘ Be careful of frostbite

Do not touch the inside surface of the freezer storage compartment when in operation, especially with wet hands as your hands may freeze onto the surface.

ⓘ When the appliance falls into disuse:

Keep the appliance away from fire to avoid accidents. Remove the door of the appliance (open the door and hold it before removing the screws) to avoid children entering into the appliance and causing accident. Send the appliance to the designated place for disposal.

ⓘ Open the door by the handle.

ⓘ Do not store or use gasoline or other inflammable materials in the vicinity of the freezer to avoid a fire.

ⓘ Never store inflammables, explosives or highly corrosive acids, alkalis and other chemicals in the freezer.

ⓘ Never store bottled beer or beverages in the freezer, as these will burst during freezing.

ⓘ Do not use mechanical devices or other means to accelerate the defrosting process, other than those recommended by the manufacturer.

# CAUTIONS

⚠ Do not use electrical appliances inside the food storage compartments of the appliance, unless they are of the type recommended by the manufacturer.

⚠ This appliance can be used by children aged from 8 years and above and persons with reduced physical, sensory or mental capabilities or lack of experience and knowledge if they have been given supervision or instruction concerning use of the appliance in a safe way and understand the hazards involved.

⚠ Children shall not play with the appliance.

⚠ If the illuminating lamps is damaged, it must be replaced by the manufacturer or by the qualified person at the specified maintenance provider.



⚠ Keep away from water

Do not use water to spray on or flush the refrigerator, and do not place the refrigerator at wet place or the place which is easy to be splashed with water to avoid the impact to the electric insulation performance of the appliance or even electric shock or fire.

⚠ Do not damage the refrigerant circuit

Disassembly and alteration of the freezer must be authorized. Any agitated movement of the freezer may damage the cooling pipes. Repair of the appliance must be performed by professional personnel.

⚠ Detach the power plug when:

Before cleaning and maintenance, or in case of failure of appliance or power off, please detach the power plug of the refrigerator. When unplugging the appliance allow at least 5 minutes before restarting, as frequent starting be damage the compressor.

⚠ This freezer is a household appliance for storing food only. Do not store blood, medicines, biological products or other products in the appliance.

This appliance is intended to be used in household and similar applications such as

- staff kitchen areas in shops, offices and other working environments;
- farm houses and by clients in hotels, motels and other residential type environments;
- bed and breakfast type environments;
- catering and similar non-retail applications.

## Energy Saving Tips

Install the appliance in a cool, dry room with adequate ventilation.

When installing the appliance, a space of at least 10cm must be kept above and around the freezer to ensure adequate ventilation around the freezer.

Allow warm food to cool down before placing it in the appliance.


Do not keep the door of the appliance open for too long when putting food in or taking food out. The shorter time, for which the door is open, the less ice will form in the freezer.

Clean the rear of the freezer regularly. Dust increases energy consumption.

Do not set temperature colder than necessary.

Do not cover air vent openings.



- The  symbol on the product or on its packaging indicates that this product may not be treated as household waste. Instead it shall be handed over to the applicable collection point for the recycling of electrical and electronic equipment. By ensuring this product is disposed of correctly, you will help prevent potential negative consequences for the environment and human health, which could otherwise be caused by inappropriate waste handling of this product. For more detailed information about recycling of this product, please contact your local city office, your household waste disposal service or the shop where you purchased the product.

# CAUTIONS

## Freezing and storage of fresh food

Food shall be stored with a space in between, which is good for refrigeration cycle.

Food shall be stored in different categories so that you can find it more easily.

Food shall be sealed before stored in the freezer to avoid water loss and smell taint.

It's optional to pack food before putting it in the freezer. The outside of the packing must be dry to avoid bags sticking together. Packing materials should be odor-free, airtight, non poisonous and non-toxic.

We suggest to identify portion noting down information as follow:

Name of food

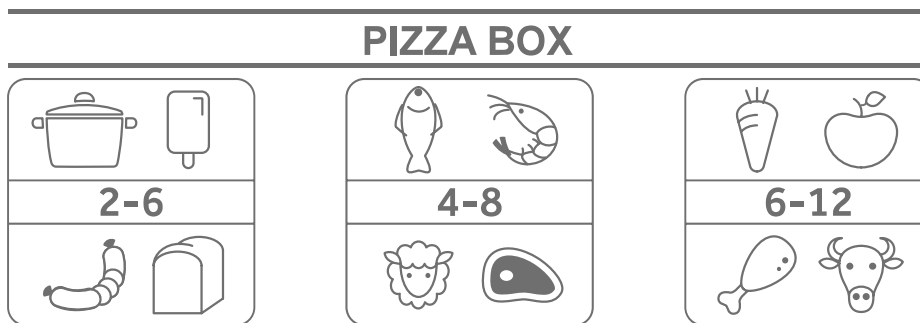
Weight of portion

Quantity (number of pieces)

Freezing date

Limit date of storage

See the diagram inside the freezer for common food storage time limit:



1. stew, ice cream, sausages, bread
2. Fish, shrimp, lamb, meat
3. Vegetables, fruits, poultry, beef

Food should be fresh, mature and of good quality.

Fresh vegetables and fruits must be frozen, if possible, immediately after harvest to maintain the most nutrients, structure, texture, color and taste.

Hot food should be cooled down to room temperature prior to placing it in the freezer.

⚠ Only take the required amount of food from the freezer. Defrosted food cannot be re-frozen unless it is first cooked, otherwise it may be less edible.

Avoid placing fresh food directly in contact with deep frozen food. Deep frozen food could defrost and may not outlast the foreseen storage time.

To freeze very well, insert fast freezing function (see functions chapter) 2 hours before storing fresh food.

⚠ Do not load excessive quantities of fresh food in the freezer. It is better to refer to the freezing capacity of the freezer.

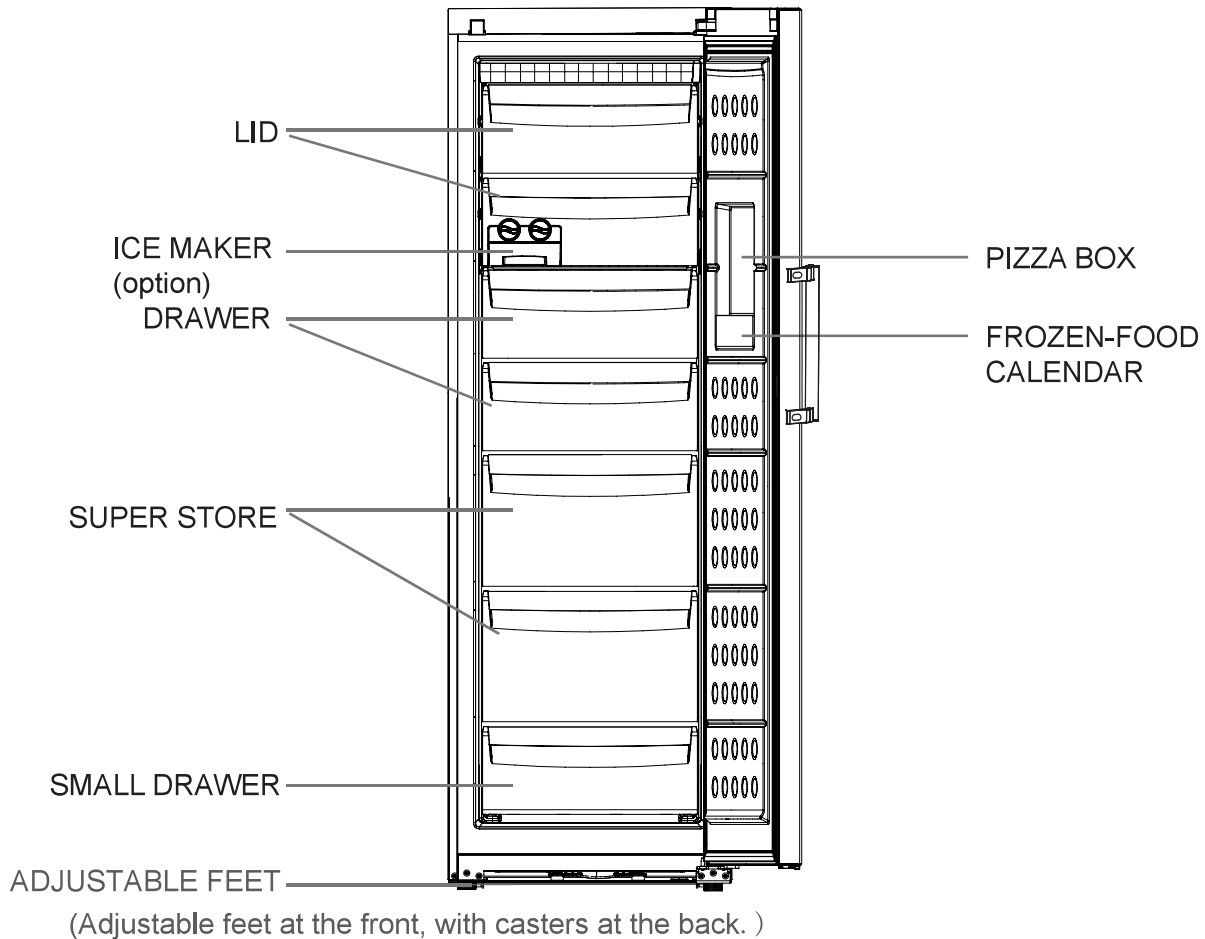
Usually 24 hours are enough to bring the freezing process to an end. After this time, function will be disabled automatically.

For freezing small quantity of food, it's possible to stop the function manually after few hours to avoid useless energy consumption.

# BEFORE USE

## Description

This diagram may be slightly different from the layout of the freezer you have just purchased.



Large drawers, super stores and small drawer can be removed to increase freezer storage space.

Different foods should be placed in different areas according to their properties

LID, SMALL DRAWER	Butter, cheese, Raw fresh food, etc
DRAWER	Meat products, snack foods, Pickled foods, etc.
SUIPER STORE	Canned food, tofu, dairy, Pasta, etc.

For appliances without a 4-star compartment: this refrigerating appliance is not suitable for freezing foodstuffs

For further information about the product, please consult <https://eprel.ec.europa.eu/> or scan the QR on the energy label supplied with the appliance.

To contact the technical assistance, visit our website:

<https://corporate.haier-europe.com/en/>

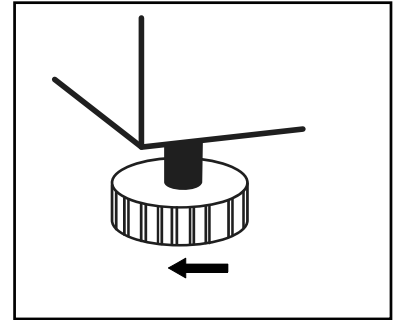
Under the section "website" , choose the brand of your product and your country. You will be redirected to the specific website where you can find the telephone number and form to contact the technical assistance

Note : This product contains a light source of energy efficiency class <G>.

# BEFORE USE

## Installing the freezer

The freezer should be placed on a flat and solid surface. If the appliance is placed on a pedestal, flat strong and fire-resistant materials must be used. Never use the foam packing material as a pedestal. If the freezer is unstable, you can adjust the feet by turning them clockwise or anticlockwise to lengthen or shorten the feet and stop the freezer rocking or wobbling. Do not place the freezer under the direct sunlight or in a place where it is exposed to heaters to ensure the performance of the Freezer. Install the appliance in a well ventilated place and a space of at least 10cm must be kept above and around the freezer.



Never place the freezer in a damp area or location where it may be splashed with water. Clean and dry any water splashes and stains with soft cloth in time to prevent rust.

Do not place the freezer where the temperature is too low (under 5°C). Do not keep freezer outside or under the rain.

## Preparation prior to use

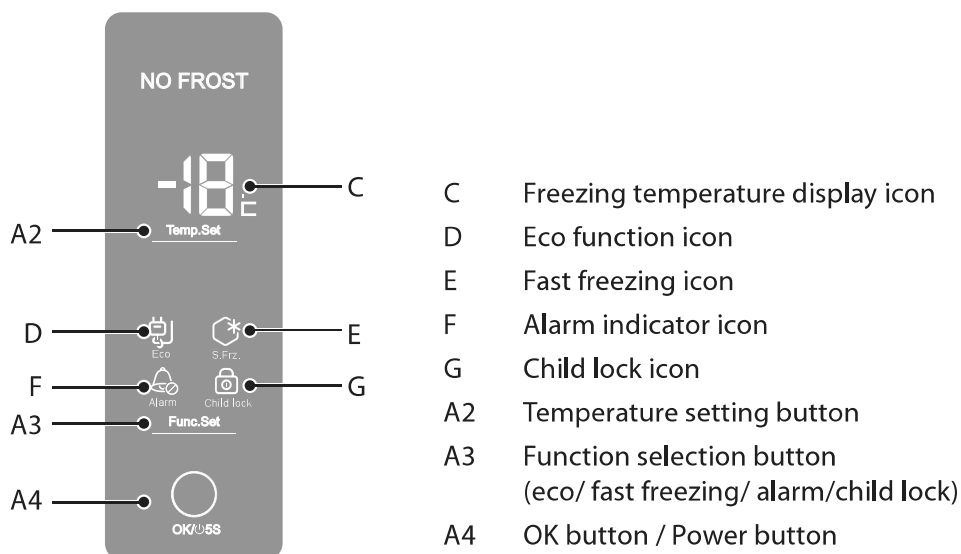
Remove all package parts, the foam base and the adhesive tape fixing accessories. Place the freezer in a proper location (please refer to Installing the freezer).

Clean the inside and outside of the freezer before use (please refer to Defrosting and Cleaning)

After the appliance has been leveled and cleaned, let it remain idle for at least 6h before switching it on so as to ensure its normal running.

# FUNCTIONS

## Controls panel



English

## Start-up

Please note: The high temperature alarm will not sound when the freezer is first switched on. It will only sound after 3 hours if the freezer has not cooled down below 0°C.

Insert the plug in the socket to switch on the freezer, at this time the C grid is showing the actual temperature inside the freezer.

The alarm led F and acoustic signal will indicate that the temperature inside freezer is not sufficiently cold for storage of foodstuffs. Pressing the button A3 to choose the "Alarm" function then press the button A4, you can disable acoustic signal, but warning light will be on till freezer will reach the temperature of 0°C. When display show the temperature of 0°C, alarm condition will stop automatically and freezer will be ready for food storage.

Check the Controls Panel:

Touch any button on the display screen and check whether the temperature area and the selected icon can illuminate.

Set temperature:

To set temperature, push the button A2. During temperature setting two numbers on display show the point set in flashing mode. Additional pressing on this button modify the set-point in cycling and decreasing mode from -14°C to -26°C.

Food can be stored in the freezer at a temperature of at least -18°C for 2 to 12 months, depending on its properties (e.g., meat: 3-12 months, vegetables: 6-12 months)

In order to avoid expiration of storage periods, please note the freezing date, time limit and name of the food on the packaging according to the storage periods of different foods.

If no action is done on the OK button within 5 sec, the set point will be stored automatically.

After the temperature is set, the two numbers on display come back to the freezer temperature visualization.

Manufacturer setting of temperature is -18°C, we recommend that you use the default setting, it does not need to be adjusted.

Power function:

Press the button A4 for 5 sec to turn off the power of the freezer; do it again the power will be turned on.

**⚠** Before any cleaning operation, make sure to disconnect the freezer from the power supply by pulling out the plug, it isn't enough to turn off the appliance pushing power button.

# FUNCTIONS

## Freezer functions

**FAST FREEZING:** Press the button A3 to choose the "S.FRZ" function, then press the button A4, you can activate fast freezing of fresh food.

The dedicate light E switches on to indicate that the function is on, and activation of the function is achieved.

light will be on until the FAST FREEZING function is switched off.

If you have a large amount of food to freeze at one time, it is recommended that the function be activated 30 hours before inserting food. Function will stop automatically after 56 hours or manually. Power consumption will increase when this function is on.

**FUNCTION ECO:** When the screen is unlocked, press the button A3 to choose the "ECO" function, then press the button A4, you can activate the function of energy saving, setting temperature within the range of -18°C to -14°C. If the temperature has been set at -19°C or lower, it will be set automatically at -18°C when the ECO function is on.

If this function is activated, led D will be on until the ECO function is switched off manually.

You can press the button A3 to choose the "ECO" function, then press the button A4 to disable the function. ECO function and Fast Freezing function can not be used simultaneously.

**FUNCTION ECO 2:** When the temperature is set within a range from -23°C to -26°C, after the freezer has run for 56 hours, it will automatically be set at -22°C, in order to save energy and to effectively preserve food. Ordinary food can be effectively preserved at -18°C or below, setting the temperature too low increases electricity consumption. (This function does not need to be manually

The most energy-saving configuration requires drawer, food box and shelves to be positioned in the appliance on factory-fresh condition, and food to be placed without blocking the air outlet of the duct

**Child Lock:** When the screen is unlocked, press the button A3 to select the Child Lock function and then press the button A4, the function will be on. **Unlock:** Touch any button on the screen, the display screen and the child lock button will be illuminated; press the button A3, the child lock button flickers; press the button A4, the screen will be unlock.

When the screen is locked, the button A2 is not effective; just the Child Lock function icon is enabled when the A3 button is pressed, then the A4 button power function is disabled.

## Alarm signals

**TEMPERATURE ALARM:** if temperature inside freezer is over 0°C, an intermittent buzzer and the flashing led F will indicate the temperature alarm. Display will show you code HH

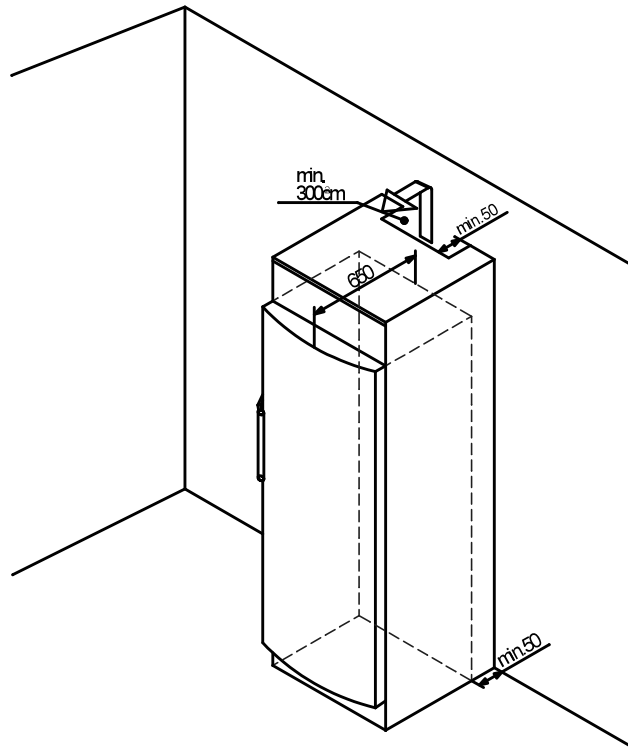
After the screen is unlocked, press the button A3 to choose the "Alarm" function, then press the button A4, it's possible to stop acoustic sign, but alarm condition will continue till internal temperature will be colder than 0°C.

**DOOR ALARM:** If the door is left open for 60 seconds, the condition will be notified by intermittent buzzer. The alarm condition will stop by closing the door or by pressing button to select Alarm function and pressing the OK button, but in this second case alarm condition will restart after 120 seconds if door is still open.

At this time please check as per the following procedures: (1) Whether the door closes and opens well; (2) Whether the door is frequently opened, or it is opened for too long at a time; (3) Too much food is put in at a time; if the above conditions exist you can cancel the alarm. Until the temperature inside the freezer drops to 0°C or below, the displayed "HH" will disappear.

# FUNCTIONS

## Insertion into a row of kitchen units



The freezer can be inserted into a row of kitchen units. To match the freezer to the height of the row of the units, a suitable stack cabinet can be added. When inserting the freezer into a row of standard kitchen units (max. depth 580 mm), the appliance can be installed directly next to the kitchen unit. The freezer door projects relative to the front of the kitchen unit by 34mm at the side and by 55mm in the middle of the freezer. It can be opened and closed perfectly as a result. **FOR a free standing appliance: this refrigerating appliance is not intended to be used as a built-in appliance**

### Important for the ventilation:

At the back of the stack cabinet, there has to be a ventilation duct of at least 50mm depth throughout the width of the stack cabinet.

The ventilation space under the ceiling has to be at least 300cm<sup>2</sup>.

The larger the ventilation space, the more energy-saving the freezer is in operation.

**If the freezer is installed with the hinges next to a wall, the distance between freezer and wall has to be at least 55mm. This corresponds to the projection of the handle when the door is open.**

# FUNCTIONS

## Use information

English

### 1. LID OPENING

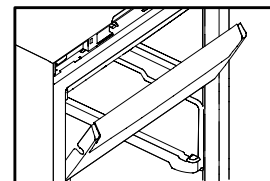
To open upper lids, lift them slightly and turn inside out.

Open the lid to put the food into the drawer.

Close the lid to avoid contact with the door.

The lid can be removed to increase storage space.

NOTE: Two layers in the upper are furnished with lids, but no food placement is allowed in the front part of the glass plate; or otherwise lids may fail to be closed, and if so, please check the food items, adjust their locations, and then re-close the lids. Warning: check if the lids are closed before shutting the door, and be sure to shut the door after the lids are properly closed so that no squeezing on the lids may occur.



### 2. REMOVING DRAWERS

Pull the drawers out fully, then lift them up slightly in order to remove.

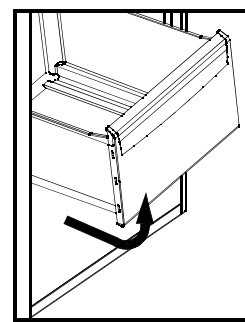
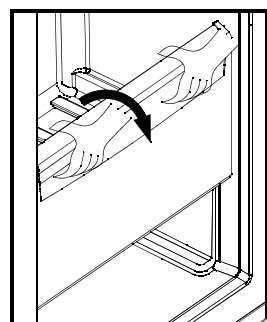
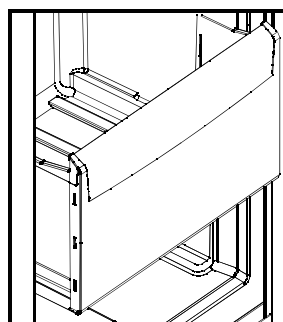
Drawers (except the bottom drawer) can be removed in order to obtain increased storage space.

Slides available for some models.

### 3. SUPER STORE DRAWER

Pull super store drawer out fully. Lift and pull it out of telescopic guides.

NOTE: Some models of the large drawer are set with slide structure. Proper way of drawer removing: first, take the food away from it and push it to the end; then lift its rear part and pull it out. Don't lift the drawer up until it is blocked, then it can be taken out easily; but if so failed, push it to the end and repeat the steps again.



### 4. ICE CUBES PRODUCTION

Some models are equipped with an ice system including ice cube trays with removal device and ice bin.

#### 5. Remove ice trays

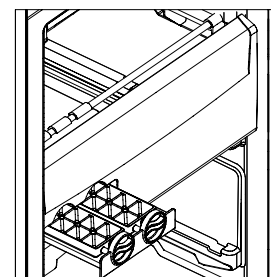
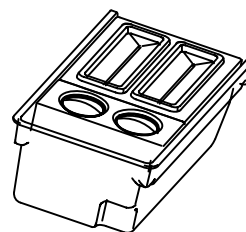
Clean and fill with water. Refit ice trays on its support.

Wait for a few hours for the ice to be ready, then turn the knobs to extract the ice cubes.

The ice cubes will fall directly into the ice container.

A

B



6. Boxes on the door may contain a packed PIZZA with a thickness of less than 30mm or other thin packaged food.

# FUNCTIONS

**I** Door reversibility:  
dismantling door from the right (①&②).  
(Graphical representation in instruction booklet  
last page.)

## ①(fig.①)

### 1、

1.1

Use a flat head screwdriver to dismantle the hinge cover on the right side, then separate the terminal connected to the top of the hinge

1.2

Use a crosshead screwdriver to loosen the hinge screws. Remove the upper hinge

1.3

Move the door assembly upward to remove the door assembly

### 2、

2.1

Use a flat head screwdriver to take apart the small cover on the left side of the cabinet. Install it into the hole on the right side of the cabinet.

2.2

Remove the cover plate on the front of the cabinet then pull the signal wire to the left side of the cabinet

2.3

Put the signal wire into the groove in the front cover plate, and fasten it with the front cover plate

### 3、

3.1

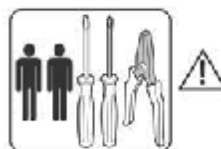
Dismantle the hinge shaft sleeve on the right side and the cover on the left side of the door

3.2

Press the signal wire on the right side of the door into the groove in the decorative strip, and close the cover.

3.3

Pull out the signal wire from the groove in the left side of the door, and push it into the hinge shaft sleeve, then put it into the decorative strip



Disconnect power and empty the appliance before you start the operation.

### 4、

4.1

Dismantle the metal stopper cross-piece on the right side of the door assembly, then install it in the corresponding position on the left side of the door assembly.

4.2

Use a crosshead screwdriver to remove the lower hinge.

### 5、

A. Use wrenches or pliers to remove the hinge shaft, and fix it in the hinge left hole.

B. Use a crosshead screwdriver to remove the screws on the left of the cabinet body, and mount the screws, on the right side of the cabinet. Mount the lower hinge on the left side.

### 6、

6.1

Install the door assembly onto the shaft on the compartment assembly.

### 7、

7.1

Take out the additional hinge and hinge cover from the freezer drawer, and put the dismantled hinge and hinge cover into a bag, and store them away.

7.2

Insert the hinge into the hole on the left side of the door assembly, then use the screws to fasten the hinge, and earth them by placing washers underneath the screws.

7.3

Connect the terminals on the cabinet to the terminals on the door assembly, then fasten the hinge cover on.

# FUNCTIONS

## ②(fig.②)

1

- A. Open the door
- B. Push downward to remove the two small covers respectively on the left and right
- C. Pry the front cover outward

2

- A. Use a screwdriver to remove the small cover on the right of the door body
- B. Use a screwdriver to pry inward to remove the decorative strips

3

- A. Use a crosshead screwdriver to loosen the hinge screws, Remove the upper hinge
- CAUTION: Support the door as you remove the door, take care not to damage the electrical wiring connecting the door to the main body of the freezer.
- B. Disconnect the wiring terminal

4

- A. Move the door body upward to remove the door body
- B. Use a crosshead screwdriver to remove the lower hinge

5

- A. Use wrenches or pliers to remove the hinge shaft, and fix it in the hinge left hole.
- B. Use a crosshead screwdriver to remove the screws on the left of the cabinet body, and mount the screws, on the right side of the cabinet. Mount the lower hinge on the left side.

## II

Direction for handle replacement: according to the different configurations (The figure is different).

### Assist handle: (fig.1&2)

- A. Use a flat-headed screwdriver to prise off the handle upper cover. Remove the two screws and then remove the handle.
- B. Use a flat-headed screwdriver to pry off the screw plug on the right of the door body. Move the screw plug to the left side and plug the screw hole. Fix the handle on the right side and have it covered.

6

- A. Use a flat-headed screwdriver to pry off the screw plug on the right of the door body.
- B. Remove the upper hinge shaft and fix it reversely on the hinge. Move the screw plug to the left side and plug the screw hole.

7

- A. Connect the electrical wiring in the door decorative strip to the terminal in the hinge. Carefully put the electrical wiring into the decorative strip cover.
- B. Fix the decorative strip and its small cover on the right side.
- C. Close the cabinet upper front cover. Insert the left and right small covers into the groove.

### Ordinary handle: (fig.3)

- A. Use a flat-headed screwdriver to prise off the handle upper cover. Remove the two screws and then remove the handle.
- B. Use a flat-headed screwdriver to pry off the screw plug on the right of the door body. Move the screw plug to the left side and plug the screw hole.
- C. Fix the handle on the right side and have it covered.

# MAINTENANCE

## Defrosting and cleaning

**DEFROSTING THE FREEZER:** The freezer defrosts automatically. No manual operation is needed.

**CLEANING:** The appliance should be cleaned regularly to prevent bad stored food odors.

Unplug the power cord before cleaning the freezer.

Clean the refrigerator with a soft cloth or sponge with warm water (can be added with mild detergent).

Dry water droplets on the refrigerator surface with a dry cloth.

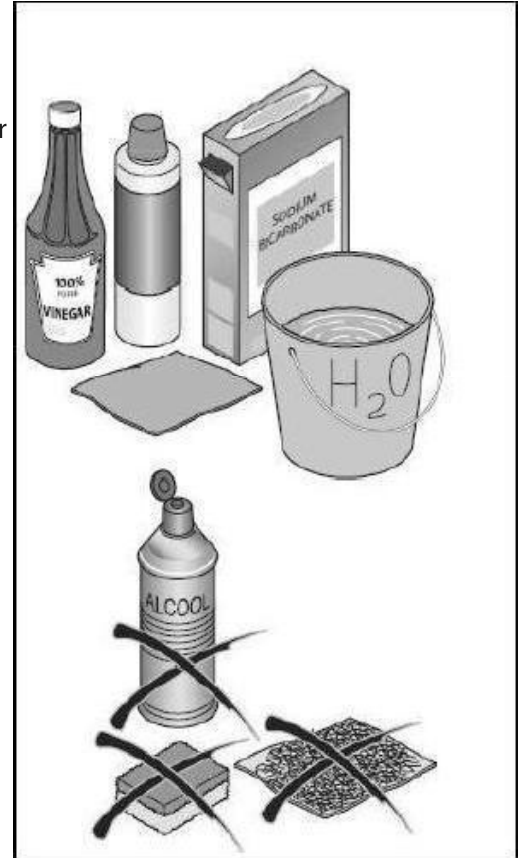
Always keep the door gasket clean.

**⚠** The refrigerator is very heavy. When you are moving it for cleaning or repair, take care not to damage the floor. Keep the freezer upright during moving. Do not move the freezer by rocking it to avoid damage to the floor.

**⚠** Do not spray or flush the freezer with water to avoid impact on its electrical insulation property.

**⚠** Do not clean with hard brush, wire brush, detergent powder, gasoline, amyl acetate, acetone and similar organic solutions, warm water or acid or alkaline solutions.

**⚠** When cleaning the display screen and other electrical appliances, do use dry cloth.



## Stopping use

If the freezer will not be used for an extended period, please unplug the power cord and clean it with the method described above.

Keep the freezer door open to prevent any food remaining in the compartment from producing bad odors.

**⚠** To ensure the service life of the appliance, it is recommended that the freezer not be turned off unless it is necessary.

## Moving the freezer

Detach the power plug and turn off the power.

Remove all food in the freezer.

Secure the drawers and other movable parts in the freezer with adhesive tape.

Close the door and secure with adhesive tape so that it will not be opened when moving.

Do not tilt the freezer more than 45 degrees (angle to vertical) to avoid damaging the refrigerating system when moving the freezer.

Wrap the feet of the freezer to avoid scratching the floor. Never move the freezer forcefully. Do not move the freezer by its handle, lid or pipes to avoid property damage or personal injury.

**⚠** Never place the refrigerating horizontally down.

# TROUBLE-SHOOTING

Before calling for service, please read the following troubleshooting table first. This can save both your time and money. The table contains common problems except those caused by defects in workmanship or material of the refrigerator.

PROBLEMS	CAUSES	SOLUTIONS
<b>Freezer operation</b>		
The compressor does not work	Product is in defrosting cycle. Freezer is not plugged into a power outlet. Product is turned OFF.	<ul style="list-style-type: none"> <li>□ This is normal for an automatic defrosting freezer.</li> <li>□ Check whether the plug, socket or fuse is damaged. Turn on the power when they are OK.</li> <li>□ Press the power button to start up the freezer again.</li> </ul>
The freezer runs frequently or runs for too long period	<p>The indoor or outdoor temperature is high.</p> <ul style="list-style-type: none"> <li>□ The freezer has been powered off for a period of time.</li> <li>□ The door is opened too frequently or for a long period at one time.</li> <li>□ The door of the freezer is not tightly closed.</li> <li>□ The temperature setting is too low.</li> <li>□ The door gasket is dirty, worn, cracked or mismatched.</li> <li>□ The condenser is dirty.</li> <li>□ The ventilation around the freezer is insufficient.</li> </ul>	<ul style="list-style-type: none"> <li>□ In this case, it is normal for freezer to run longer.</li> <li>□ Normally, it takes 8 to 12 hours for freezer to totally cool down.</li> <li>□ Warm air enters the freezer and causes it to start frequently. Please do not open the door too frequently.</li> <li>□ Ensure the freezer is located on a level ground and there is no food or container jarring the door.</li> <li>□ Set the temperature higher until a satisfactory freezer temperature is obtained. It takes 24 hours for freezer temperature.</li> <li>□ Clean or replace the door gasket. A leakage gap of door gasket can cause a longer running time of freezer in order to maintain desired temperature.</li> <li>□ Clean the condenser.</li> <li>□ Check the ventilation space is the recommended size and check it is not been blocked by any objects.</li> </ul>
<b>Too high temperature</b>		
Too high temperature inside product	<p>The door is opened too frequently or for too long each time.</p> <p>Temperature is set too high.</p> <p>The door is not closed tightly.</p> <p>Condenser is dirty.</p>	<p>Warm air will enter the refrigerator whenever the door is opened. Try to open the door as less frequently as possible.</p> <p>Reset the temperature.</p> <p>Ensure the freezer is located on a level ground and there is no food or container jarring the door.</p> <p>Clean the condenser.</p>
<b>Water / moisture / frost on outside surface of the freezer</b>		
Moisture accumulates on the freezer's outside surface	<p>Damp climate.</p> <p>The door is not closed tightly. This causes condensation of cold air in the freezer and the warm air outside it.</p>	<p>This is normal in damp climate.</p> <p>The moisture will decrease when the humidity drops.</p> <p>Make sure the ground is flat and no food or containers are preventing the door from closing fully.</p>

# TROUBLE-SHOOTING

PROBLEMS	CAUSES	SOLUTIONS
<b>Bad odors in the freezer</b>		
The inside of the freezer is dirty	The inside of the refrigerator needs cleaning. □ Food of strong odor is stored in the freezer.	Clean the internal of the refrigerator. (Please refer to Defrosting and Cleaning) □ Check whether the food is deteriorated. Take out deteriorated food or food of strong odor out of the freezer.
<b>If you hear</b>		
Beeps	The freezer door is open. □ The temperature in the freezer is too high. □ Some parts may be damaged.	Close the door or silence the alarm manually. □ The alarm is normal when it is first started or the food is stored for the first time. You can silence the alarm manually. □ Contact the after-sale service personnel.
Abnormal sound	The freezer is not located on a level place. □ The freezer touches some object around it.	Adjust the feet to level the refrigerator. □ Remove objects around it.
Slight sound similar to that of flowing water	This is the sound of the refrigerating system.	Normal.
Heating of cabinet	The refrigerating system is working refrigerating system.	This prevents condensation and is normal.

## Nameplate

The nameplate is located inside the freezer compartment fixed high up on the left side. The nameplate provides important information about the freezer and must not be tampered with or removed.

Valid capacity and rated power consumption shown on the nameplate is subject to relevant standards.

Regarding specification details, please consult the rating plate and energy label inside the product. This appliance is intended to be used at an ambient temperature indicated below :

SN	+ 10°C~+32°C
N	+ 16°C~+32°C
ST	+ 16°C~+38°C
T	+ 16°C~+43°C

Minimum guarantee is: 2 years for EU Countries, 3 years for Turkey, 1 year for UK, 1 year for Russia, 3 years for Sweden, 2 years for Serbia, 5 years for Norway, 1 year for Morocco, 6 months for Algeria, Tunisia no legal warranty required

Thermostats, temperature sensors, printed circuit boards and light sources are available for a minimum period of seven years after placing the last unit of the model on the market. Door handles, door hinges, trays and baskets for a minimum period of seven years and door gaskets for a minimum period of 10 year, after placing the last unit of the model on the market

Grazie per aver acquistato un prodotto Haier.

Prima di utilizzare l'apparecchio, leggere attentamente le istruzioni poiché contengono informazioni importanti che consentiranno di trarne il massimo e garantiranno un'installazione, un utilizzo e una manutenzione corretti e sicuri.

Tenere a portata di mano questo manuale per potervi fare riferimento in qualsiasi momento e utilizzare l'apparecchio in modo corretto e sicuro.

Se il congelatore viene venduto, regalato o lasciato in occasione di un trasloco, assicurarsi di consegnare il presente manuale al nuovo possessore in modo che possa acquisire familiarità con l'apparecchio e conoscere le avvertenze sulla sicurezza.

# SOMMARIO

PRECAUZIONI .....	3
PRIMA DELL'USO.....	6
FUNZIONI .....	8
MANUTENZIONE .....	14
RISOLUZIONE DEI PROBLEMI .....	15

# PRECAUZIONI

## Legenda

- ⓘ Attenzione
- ⚠ Precauzione
- ⊘ Divieto

## Smaltimento

La presenza di questo simbolo sul prodotto, sugli accessori o sui materiali accompagnati dalle presenti istruzioni indica che, al termine del suo ciclo di vita, il prodotto o i relativi accessori elettronici devono essere smaltiti separatamente dai normali rifiuti domestici.

Al fine di evitare danni all'ambiente o alla salute provocati da uno smaltimento non controllato dei rifiuti, separare questi prodotti dagli altri tipi di rifiuti e riciclarli per promuovere allo stesso tempo il riutilizzo sostenibile dei materiali.

Gli utenti domestici devono rivolgersi al rivenditore presso cui hanno acquistato il prodotto oppure alle autorità locali competenti per ricevere informazioni su un come smaltire il prodotto in modo sicuro per l'ambiente. Gli utenti aziendali devono contattare il proprio fornitore e verificare le condizioni di acquisto. Il presente prodotto e i relativi componenti elettronici non devono essere smaltiti assieme agli altri rifiuti industriali.



## Prima dell'uso...

ⓘ Collegare l'apparecchio alla tensione **nominale**. In caso di fluttuazioni di tensione, l'apparecchio potrebbe non riuscire ad avviarsi e il regolatore di temperatura o il compressore potrebbero subire danneggiamenti o presentare rumori anomali. In tale evenienza, chiamare un elettricista qualificato per inserire nel circuito domestico uno stabilizzatore di tensione.

ⓘ Utilizzare una presa a tre poli.

Assicurarsi che la presa sia collegata alla messa a terra e non modificare la spina o il cavo di alimentazione. La spina del cavo di alimentazione deve essere collegata saldamente alla presa, in caso contrario vi è il rischio di incendi. Una volta installato l'apparecchio, la spina deve essere facilmente accessibile in modo da poter essere prontamente scollegata in caso di incidenti.

⊘ Non danneggiare il cavo di alimentazione.

Non tirare il cavo di alimentazione per staccare la spina. Afferrare direttamente la spina per staccarla dalla presa.

EVITARE di calpestare il cavo di alimentazione o che questo venga schiacciato dall'apparecchio.

⊘ In caso di danni al cavo di alimentazione:

Se il cavo di alimentazione o la spina risultassero danneggiati o usurati, non utilizzarli. Il cavo di alimentazione danneggiato o usurato deve essere sostituito dal produttore o da personale qualificato. Se si necessita di un cavo di alimentazione più lungo, contattare il servizio assistenza.

ⓘ Mantenere libere da ostruzioni le aperture di ventilazione nell'involucro dell'apparecchio o nella struttura ad incasso.

ⓘ Pericolo di congelamento

Durante il funzionamento del congelatore, non toccare la superficie interna del vano di conservazione, soprattutto con le mani bagnate perché potrebbero congelarsi toccando la superficie.

# PRECAUZIONI

## ⚠ In caso di disuso dell'apparecchio:

Tenere l'apparecchio lontano dalle fiamme per evitare incidenti. Rimuovere lo sportello (aprire lo sportello e sorreggerlo prima di rimuovere le viti) per evitare il rischio di incidenti se dei bambini entrano nell'apparecchio. Smaltire l'apparecchio nel luogo preposto.

## ⚠ Aprire lo sportello dalla maniglia.

⚠ Non conservare o utilizzare benzina o altre sostanze infiammabili in prossimità del congelatore per evitare il rischio di incendi.

⚠ Non conservare mai nel congelatore sostanze acide altamente corrosive, esplosive o infiammabili, alcaline e altre sostanze chimiche.

⚠ Non conservare mai nel congelatore bottiglie contenenti bevande perché potrebbero esplodere durante il congelamento.

⚠ Non utilizzare apparecchi elettrici nei vani di conservazione degli alimenti, ad eccezione di quelli di tipo consigliato dal produttore.

⚠ Prestare attenzione ai bambini

⚠ Se le lampade si guastano, devono essere sostituite dal produttore o da personale qualificato presso il fornitore di servizi di manutenzione specificato.



⚠ Tenere lontano dall'acqua

Non spruzzare o rovesciare acqua nel congelatore per pulirlo. Non collocare l'apparecchio in ambienti umidi o dove è facilmente raggiungibile da schizzi d'acqua per evitare che ciò influisca sulle prestazioni dell'isolamento elettrico o provochi scosse elettriche o incendi.

⚠ Non danneggiare il circuito del refrigeratore

Il disassemblaggio del congelatore ed eventuali modifiche devono essere autorizzati. Qualsiasi movimento brusco esercitato sul congelatore può danneggiare i tubi del sistema di raffreddamento. L'apparecchio deve essere riparato da personale qualificato.

⚠ Scollegare la spina di alimentazione:

Prima della pulizia e della manutenzione o in caso di spegnimento o guasti all'apparecchio. Dopo aver scollegato l'apparecchio, attendere almeno 5 minuti prima di riavviarlo, poiché riavvii frequenti possono danneggiare il compressore.

⚠ Questo congelatore è per uso domestico ed è destinato esclusivamente alla conservazione di alimenti. Non conservare sangue, medicine, prodotti biologici o altri prodotti.

⚠ Mantenere libere da ostruzioni le aperture di ventilazione nell'involucro dell'apparecchio o nella struttura ad incasso.

L'utilizzo di questo apparecchio non è idoneo per persone con capacità fisiche, sensoriali o mentali ridotte (inclusi bambini) o senza un'adeguata esperienza e conoscenza del suo utilizzo, a meno che non vengano sorvegliate o ricevano istruzioni da una persona responsabile della loro sicurezza.

Questo apparecchio è concepito per essere utilizzato in applicazioni domestiche e simili, quali:

- aree di ristoro in negozi, uffici e altri ambienti lavorativi;
- agriturismi e camere in hotel, motel e altri ambienti di tipo residenziale;
- ambienti di tipo "bed and breakfast";
- catering e applicazioni simili di vendita non al dettaglio.

Consigli per il risparmio energetico

Installare l'apparecchio in una stanza fresca, asciutta e adeguatamente areata.

Lasciare uno spazio di almeno 10 cm sopra e intorno all'apparecchio, in modo da assicurare un'adeguata ventilazione.

Lasciare raffreddare gli alimenti caldi prima di inserirli nell'apparecchio.

Non tenere aperto lo sportello per troppo tempo quando si inseriscono o si prelevano gli alimenti dal congelatore: minore è il tempo di apertura dello sportello, minore sarà la formazione di ghiaccio all'interno.

# PRECAUZIONI

Pulire regolarmente la parte posteriore del congelatore. La presenza di polvere sulla griglia posteriore peggiora il rendimento del prodotto, aumentando il consumo energetico.

Non impostare una temperatura più fredda del necessario.

Non coprire le aperture di ventilazione.

## Congelamento e conservazione di alimenti freschi

Lasciare un po' di spazio tra gli alimenti conservati per favorire il ciclo di refrigerazione.

Suddividere gli alimenti per categorie, in modo da trovarli più facilmente.

Chiudere ermeticamente gli alimenti prima di inserirli nel congelatore per evitare perdite di liquidi e cattivi odori.

È facoltativo confezionare gli alimenti prima di riporli nel congelatore. La parte esterna della confezione deve essere asciutta per evitare che i sacchetti si attacchino gli uni agli altri. La confezione deve essere composta da materiale idoneo alla conservazione dei cibi.

Per identificare gli alimenti, si consiglia di annotare sopra le seguenti informazioni:

Nome dell'alimento

Peso della porzione







Quantità (numero di pezzi)

Data di congelamento

Data di scadenza

Vedere all'interno del congelatore lo schema sul limite di conservazione degli alimenti più comuni:

### VANO PIZZA

		
<b>2-6</b>	<b>4-8</b>	<b>6-12</b>
		

1. Zuppe, gelati, insaccati, pane
2. Pesce, gamberi, carne rossa e carne di agnello
3. Verdure, frutta, pollame, carne di manzo

Frutta e verdura fresca devono essere congelati possibilmente subito dopo la raccolta per mantenere inalterati gran parte delle sostanze nutritive, la composizione, la consistenza, il colore e il sapore.

Attendere che gli alimenti caldi raggiungano la temperatura ambiente prima di riporli nel congelatore.

⚠ Estrarre dal congelatore solo la quantità necessaria poiché una volta scongelati, gli alimenti non possono essere ricongelati se non previa cottura.

Evitare di mettere gli alimenti freschi a contatto diretto con quelli già congelati poiché questi ultimi potrebbero scongelarsi e il periodo di conservazione previsto non sarebbe più valido.

Per congelare gli alimenti freschi al meglio, 2 ore prima dell'inserimento attivare la funzione di congelamento rapido (vedere il capitolo sulle funzioni).

⚠ Non inserire nel congelatore una quantità eccessiva di alimenti freschi: vedere le informazioni sulla capacità di congelamento dell'apparecchio.

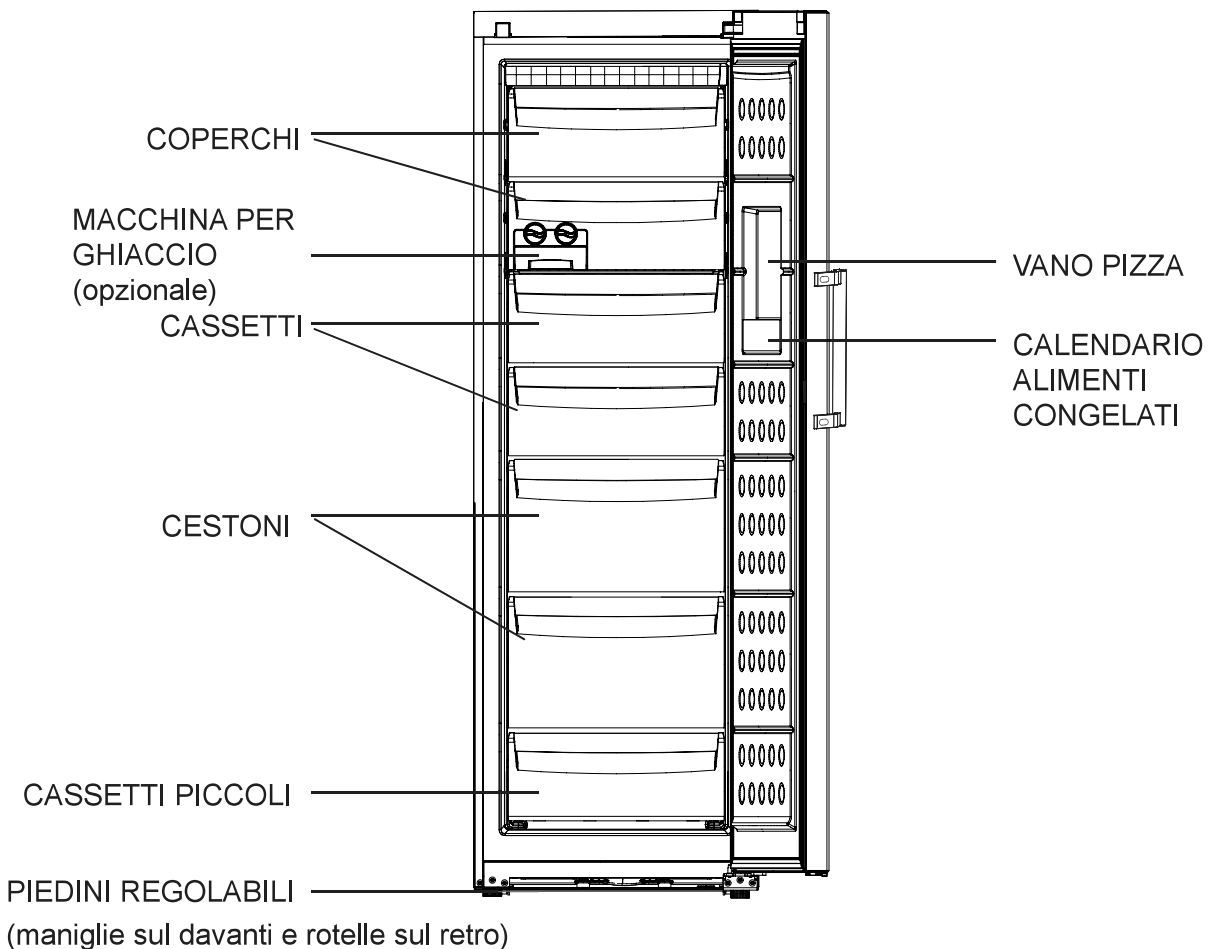
Generalmente il processo di congelamento rapido si conclude in 24 ore. Trascorso questo periodo, la funzione si disattiva automaticamente.

Per congelare piccole quantità, è possibile interrompere manualmente la funzione dopo poche ore per evitare un inutile consumo di energia.

# PRIMA DELL'USO

## Descrizione

Questa figura potrebbe risultare leggermente diversa dalla disposizione interna del congelatore acquistato.



È possibile rimuovere i cassetti grandi, i cestoni e i cassetti piccoli per aumentare lo spazio di conservazione del congelatore.

<b>COPERCHIO</b>	Burro, formaggio, alimenti freschi crudi ecc.
<b>CASSETTINO</b>	Prodotti a base di carne, snack, sottaceti ecc.
<b>CASSETTO</b>	Cibo in scatola, tofu, latticini, pasta ecc.
<b>SUPER STORE</b>	

Per gli elettrodomestici senza comparto a quattro stelle: questo dispositivo di refrigerazione non è adatto al congelamento di generi alimentari

Per ulteriori informazioni sul prodotto, consultare <https://eprel.ec.europa.eu/> o effettuare la scansione del codice QR sull'etichetta energetica fornita con l'elettrodomestico.

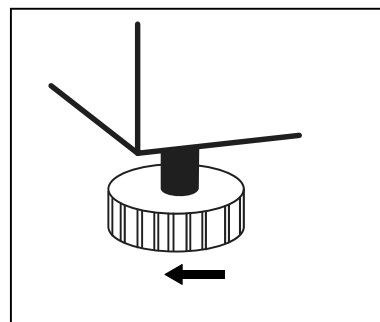
Per contattare l'assistenza tecnica, visitare il nostro sito web: <https://corporate.haier-europe.com/en/>  
Sotto la sezione "sito web", scegliere il marchio del proprio prodotto e il proprio paese. Sarà effettuato il reindirizzamento al sito web specifico con il numero di telefono e il modulo per contattare l'assistenza tecnica

Nota: questo prodotto contiene una sorgente luminosa con efficienza energetica di classe <G>.

# PRIMA DELL'USO

## Ambiente di installazione

Il congelatore deve essere installato su una superficie piana e solida. Se si utilizza una base, assicurarsi che sia realizzata con materiali robusti e ignifughi e che la superficie sia piana. Non utilizzare mai come base gli imballaggi in schiuma. Se il congelatore è leggermente instabile, è possibile allungare o accorciare i piedini regolabili ruotandoli in senso orario o antiorario per aumentare o ridurre l'altezza dell'apparecchio. Non esporre il congelatore alla luce diretta del sole e non installarlo in prossimità di radiatori per non comprometterne le prestazioni. Installare l'apparecchio in un ambiente ben ventilato, lasciando sopra e intorno a esso uno spazio di almeno 10 cm.



Non installare mai il congelatore in un ambiente umido o dove può essere raggiunto da schizzi d'acqua. Pulire e asciugare subito schizzi d'acqua e macchie con un panno morbido per evitare la formazione di ruggine.

Non installare il congelatore in ambienti con una temperatura troppo bassa (inferiore a 5°C). Non lasciare il congelatore all'aperto o sotto la pioggia.

## Preparazione prima dell'uso

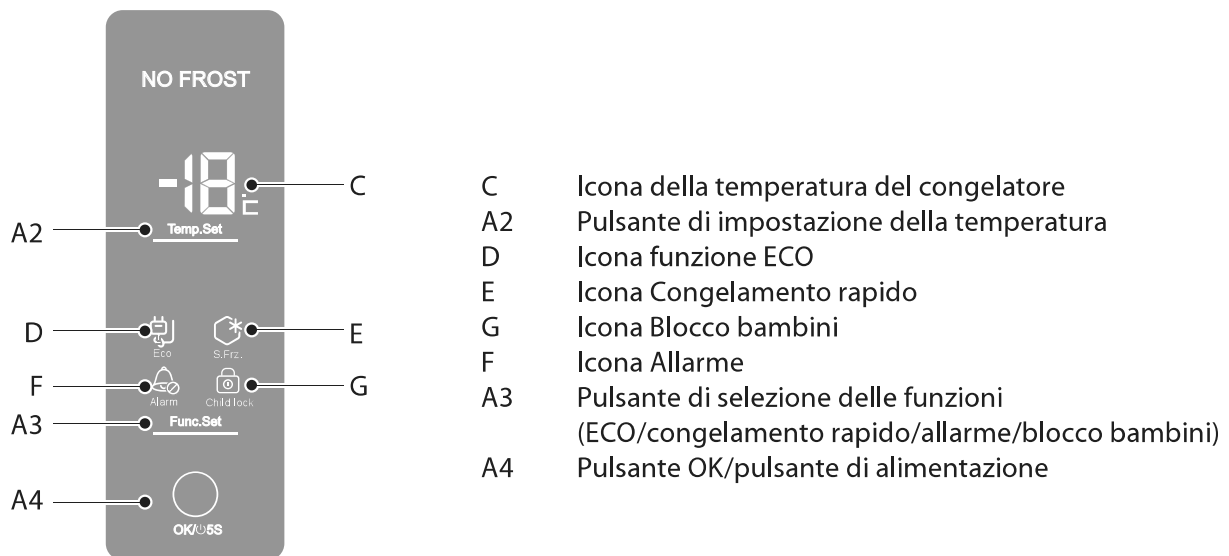
Rimuovere tutto l'imballaggio, la base in espanso e il nastro adesivo che fissa gli accessori. Installare il congelatore in un luogo adeguato (consultare Ambiente di installazione).

Pulire la parte interna ed esterna del congelatore prima dell'uso (consultare Sbrinamento e pulizia).

Dopo aver installato e pulito l'apparecchio, attendere almeno 6 ore prima di accenderlo per assicurare il normale funzionamento.

# FUNZIONI

## Pannello dei comandi



## Avvio

Attenzione: l'allarme di aumento della temperatura non si attiva appena il congelatore viene acceso. Suonerà solamente nel caso in cui non sia stata raggiunta una temperatura inferiore a 0° C dopo 3 ore dall'accensione.

Inserire la spina nella presa per accendere il congelatore ,A questo punto,la griglia C indicherà la temperatura effettiva all'interno del freezer.

Il LED F di allarme e il segnale acustico indicano che la temperatura interna del congelatore non è sufficientemente bassa per conservare gli alimenti. Il segnale acustico può essere disabilitato premendo il pulsante A3 per selezionare la funzione "Alarm" e successivamente il pulsante A4. Tuttavia la spia resta accesa finché il congelatore non raggiunge la temperatura di 0°C.

Quando questa viene visualizzata sul display, la condizione di allarme cessa automaticamente e il congelatore è pronto per la conservazione degli alimenti.

Controllo del Pannello dei comandi:

Toccare un pulsante qualsiasi sullo schermo del display e controllare se l'area della temperatura e l'icona selezionata si illuminano.

Impostazione della temperatura:

Premere il pulsante A2 per impostare la temperatura. Durante l'impostazione, i due numeri che lampeggiano sul display indicano il valore raggiunto. Premendo ripetutamente il pulsante, tale valore viene modificato in modo ciclico e decrescente da -14°C a -26°C.

Se entro 5 secondi non si preme il pulsante OK, viene ripristinato automaticamente il valore impostato.

Conclusa l'impostazione, sul display viene visualizzata nuovamente la temperatura del congelatore.

La temperatura predefinita è -18°C ,Si consiglia di utilizzare le impostazioni predefinite che non richiedono alcun tipo di regolazione.

Funzione di alimentazione:

Tenere premuto il pulsante A4 per 5 secondi per spegnere il congelatore; premendo di nuovo il pulsante il congelatore viene acceso.

**⚠** Prima di qualsiasi operazione di pulizia, assicurarsi di scollegare l'apparecchio dall'alimentazione staccando la spina, poiché non è sufficiente spegnerlo premendo il pulsante di alimentazione.

# FUNZIONI

## Funzioni del congelatore

**CONGELAMENTO RAPIDO:** premere il pulsante A3 per selezionare la funzione "S.FRZ", quindi premere il pulsante A4 per attivare il congelamento rapido di alimenti freschi.

La spia E si accende a indicare la funzione è attiva.

La spia resta accesa finché la funzione è attiva.

In caso di grandi quantità da congelare in una sola volta, attivare la funzione 30 ore prima. La funzione viene disattivata automaticamente dopo 56 ore oppure manualmente. Quando questa funzione è attiva, il consumo di corrente aumenta.

**FUNZIONE ECO:** con lo schermo sbloccato, premere il pulsante A3 per scegliere la funzione "ECO", quindi il pulsante A4 per attivare la funzione di risparmio energetico impostando una temperatura compresa tra -18°C e -14°C. Quando la funzione ECO è attiva, se la temperatura è stata impostata su -19°C o su un valore inferiore, verrà automaticamente portata a -18°C.

Quando la funzione è attiva, il LED D è acceso.

Per disattivare la funzione "ECO": premere il pulsante A3, selezionare funzione "ECO", quindi premere il pulsante A4.

Le funzioni ECO e Congelamento rapido non possono essere utilizzate contemporaneamente.

**FUNZIONE ECO 2:** Se è impostata in un intervallo tra -23°C e -26°C, dopo 56 ore di funzionamento del freezer, la temperatura sarà impostata automaticamente a -22°C per risparmiare energia e conservare gli alimenti in modo efficace. Il cibo comune può essere conservato efficacemente a una temperatura di -18°C o inferiore; una temperatura impostata ad un livello troppo basso fa salire il consumo di elettricità. (Non è necessario impostare questa funzione manualmente)

La configurazione che garantisce il massimo risparmio energetico richiede che il cassetto, i vani per gli alimenti e i ripiani siano collocati nell'elettrodomestico così come configurato in fabbrica e che gli alimenti siano collocati senza ostruire l'uscita dell'aria dal condotto

**BLOCCO BAMBINI:** con lo schermo sbloccato, premere il pulsante A3 per selezionare la funzione Blocco bambini, quindi il pulsante A4 per attivare la funzione. Se viene toccato qualsiasi pulsante sullo schermo, il display e il pulsante Blocco bambini si illuminano. **SBLOCCO:** premere il pulsante A3; il pulsante Blocco bambini lampeggia; premere quindi il pulsante A4 per sbloccare lo schermo.

Quando lo schermo è bloccato, il tasto A2 non funziona; quando si preme il tasto A3 solo l'icona della funzione "Blocco bambini" è abilitata, quindi il tasto A4 della funzione accensione è disabilitato.

## Segnalazione di allarme

**ALLARME TEMPERATURA:** se la temperatura interna del congelatore è superiore a 0°C, un segnale acustico intermittente e un led lampeggiante indicano l'allarme temperatura. Sul display viene visualizzato il codice HH.

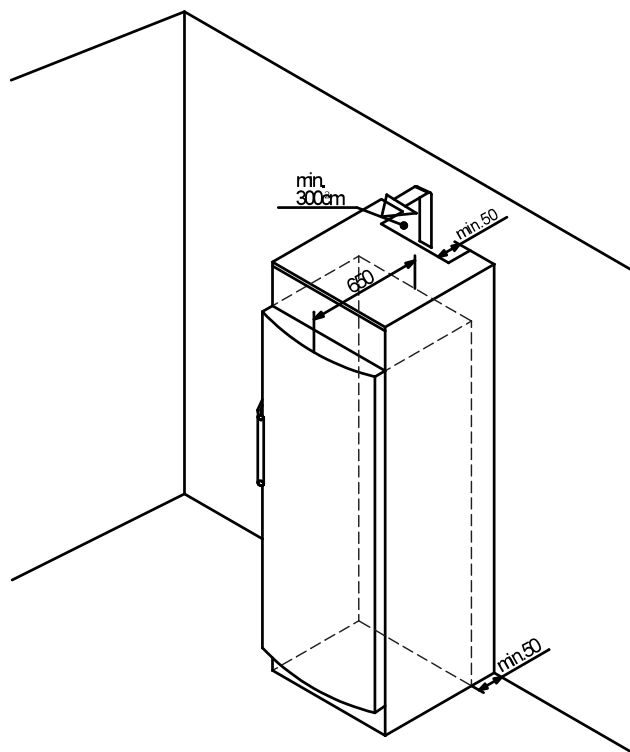
Dopo aver sbloccato lo schermo, premere il pulsante A3 per scegliere la funzione "Alarm", quindi premere il pulsante A4. Ciò consente di interrompere il segnale acustico ma la condizione di allarme continua finché la temperatura interna non scende sotto 0°C.

**ALLARME SPORTELLLO:** se lo sportello viene lasciato aperto per 60 secondi, questa condizione anomala viene indicata attraverso un segnale acustico intermittente. La condizione di allarme si interrompe chiudendo lo sportello oppure premendo il pulsante per selezionare la funzione Alarm e il pulsante OK. Tuttavia, nel secondo caso, la condizione di allarme si riattiva dopo 120 secondi se lo sportello non viene chiuso.

A questo punto, attenendosi alle seguenti procedure, verificare che: (1) lo sportello si chiuda e si apra in modo corretto; (2) lo sportello venga aperto frequentemente, o sia stato lasciato aperto a lungo; (3) sia stato inserito troppo cibo al suo interno in una sola volta; se le condizioni di cui sopra sono presenti è possibile annullare l'allarme. Una volta che la temperatura all'interno del freezer raggiunge 0°C o meno, il messaggio "HH" visualizzato scomparirà.

# FUNZIONI

## Inserimento in una sequenza di cucina componibile



L'apparecchio può essere incassato nella sequenza di una cucina componibile. Affinché si trovi alla stessa altezza delle altre unità, è possibile impilare un mobile adatto. Quando l'apparecchio viene inserito nella sequenza di una cucina componibile standard (profondità massima di 580 mm), può essere installato immediatamente accanto all'unità. La proiezione dello sportello dell'apparecchio rispetto alla parte anteriore dell'unità è di circa 34 mm sul lato e di 55 mm al centro dell'apparecchio. In tal modo può essere aperto e chiuso perfettamente.

Per un elettrodomestico a libera installazione: questo dispositivo di refrigerazione non è destinato ad essere utilizzato come elettrodomestico da incasso

Importante per la ventilazione:

Sul retro del mobile impilato deve essere presente per tutta la sua larghezza un condotto di ventilazione di almeno 50 mm.

Lo spazio per la ventilazione sotto il soffitto deve essere di almeno 300 cm<sup>2</sup>.

Più ampio risulta questo spazio, meno energia viene consumata dall'apparecchio durante il funzionamento.

Se l'apparecchio viene installato con i cardini vicino alla parete, la sua distanza dalla parete deve essere di almeno 55 mm (ossia la proiezione della maniglia quando viene aperto lo sportello).

## Informazioni sull'uso

### 1. APERTURA DEL COPERCHIO

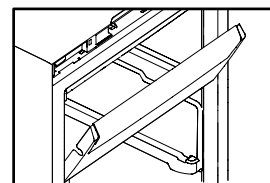
Per aprire i coperchi superiori, sollevarli leggermente tirandoli verso l'esterno.

Aprire il coperchio per riporre gli alimenti nel cassetto.

Chiudere il coperchio per evitare che tocchi lo sportello.

Il coperchio può essere rimosso per aumentare lo spazio di conservazione.

NOTA: due ripiani nella parte superiore sono provvisti di coperchi, ma gli alimenti non devono essere collocati nella parte anteriore della lastra in vetro onde evitare la chiusura non ermetica dei coperchi. Nel caso in cui i coperchi la corretta chiusura dei coperchi prima di chiudere lo sportello e assicurarsi che quest'ultimo sia nella posizione di chiusura appropriata onde evitare una pressione anomala sui coperchi.



### 2. RIMOZIONE DEI CASSETTI

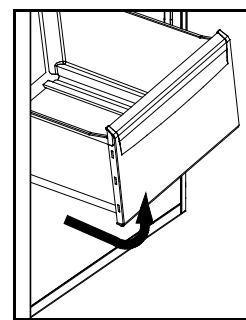
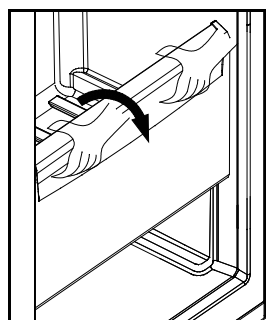
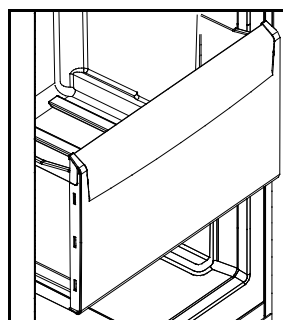
Per rimuovere i cassetti, estrarli completamente, quindi sollevarli leggermente. I cassetti (fatta eccezione per quello inferiore) possono essere rimossi per aumentare lo spazio di conservazione.

In alcuni modelli sono disponibili delle guide di scorrimento.

### 3. CESTONE

Estrarre completamente il cestone. Sollevarlo ed estrarlo dalle guide telescopiche.

NOTA: alcuni modelli del cassetto grande sono stati realizzati con struttura a scorrimento. Corretta rimozione del cassetto: per prima cosa, estrarre gli del cassetto ed estrarlo. Sollevare la parte posteriore del cassetto solo una volta che questo si è bloccato in posizione; in tal modo la procedura di rimozione sarà molto semplice. Se non è stata raggiunta la posizione corretta di blocco del.

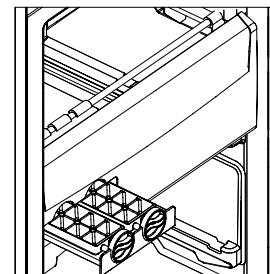
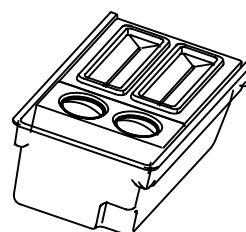


### 4. PRODUZIONE DI CUBETTI DI GHIACCIO

Alcuni modelli sono dotati di un sistema per la produzione di ghiaccio che include le vaschette per i cubetti di ghiaccio, un dispositivo per la rimozione e un contenitore per il ghiaccio.

A

B



### 5. Rimozione delle vaschette per il ghiaccio

Pulire le vaschette per il ghiaccio, riempirle d'acqua e rimetterle sul relativo supporto.

Attendere qualche ora che il ghiaccio sia pronto, quindi girare i pomelli per estrarre i cubetti di ghiaccio.

Questi cadranno direttamente nell'apposito contenitore.

6. I vani sullo sportello possono contenere una PIZZA confezionata dallo spessore inferiore a 30 mm oppure altri alimenti confezionati di spessore sottile.

Il vano può anche essere impiegato per riporre gli accumulatori di freddo usati nelle borse termiche.

# FUNZIONI

**I** Invertibilità dello sportello:  
smontaggio dello sportello partendo da destra  
(①&②).

(Rappresentazione grafica in pagina dell'ultimo del libretto di istruzioni.)

## ① (figura ①)

### 1、

#### 1.1

Usare un cacciavite a testa piatta per rimuoverla coper-  
tura della cerniera sul lato destro, quindi staccare il  
terminale collegato nella parte superiore della cerniera.

#### 1.2

Usare un cacciavite a stella per svitare le viti della  
cerniera. Rimuovere la cerniera superiore.

#### 1.3

Solleverla struttura dello sportello per rimuoverla.

### 2、

#### 2.1

Usare un cacciavite a testa piatta per smontare il piccolo  
coperchiosul lato sinistro del quadro comandi. Montarlo-  
sul foro a destra del quadro comandi.

#### 2.2

Rimuovere la piastra di copertura che si trova nella parte  
anteriore del quadro comandi, quindi tirare il cavo del  
segnale a sinistra del quadro comandi.

#### 2.3

Inserire il cavo del segnale nella scanalatura che si trova  
sulla piastra di copertura anteriore e stringerlo con la  
piastra di copertura anteriore.

### 3、

#### 3.1

Smontare il manicotto dell'albero a cerniera sul lato  
destro e la copertura sul lato sinistro dello sportello.

#### 3.2

Spingere il cavo del segnale a destradello sportello nella  
scanalatura all'interno della striscia decorativa, e chiudere  
la copertura.

#### 3.3

Far uscire il cavo del segnale dalla scanalatura a sinis-  
tradello sportello e spingerlo all'interno del manicotto  
dell'albero a cerniera, quindi inserirlo nella striscia decora-  
tiva.



Scollegare l'apparecchio e svuotarlo  
prima di iniziare questa operazione.

### 4、

#### 4.1

Smontare la chiusura metallica trasversale che si trova a  
destra della struttura dello sportello, quindi installarla  
nella posizione corrispondente a sinistra del della  
struttura dello sportello.

#### 4.2

Usare un cacciavite a stella per rimuovere la cerniera  
inferiore.

### 5、

A. Utilizzare una chiave inglese o un paio di pinze per rimuovere  
l'albero a cerniera, quindi fissarlo nel foro del cardine a sinistra.

B. Utilizzare un cacciavite a croce per rimuovere le viti del  
congelatore a sinistra e montarle a destra dello stesso. Montare  
il cardine inferiore sul lato sinistro.

### 6、

#### 6.1

Installare la struttura dello sportello sull'albero del  
gruppo del cassetto.

### 7、

#### 7.1

Togliere la cerniera aggiuntiva e la copertura della  
cerniera dal cassetto del freezer, mettere la cerniera  
smontata e la copertura della cerniera in un conteni-  
tore e conservarli.

#### 7.2

Inserire la cerniera nel foro a sinistra della struttura  
dello sportello, quindi usare le viti per stringere la  
cerniera, e collegarle a terraposizionando le rondelle-  
sotto le viti.

#### 7.3

Collegare i terminali che si trovano sul quadro comandi  
ai terminali che si trovano sulla struttura dello sportello;  
quindi fissare la copertura della cerniera.

## ②(figura②)

1

- A. Aprire lo sportello.
- B. Premere con forza verso il basso per rimuovere i due piccoli coperchi che si trovano rispettivamente a destra e a sinistra.
- C. Sollevare verso l'esterno il coperchio anteriore

2

- A. Utilizzare un cacciavite per rimuovere il piccolo coperchio a destra dello sportello.
- B. Utilizzare un cacciavite per fare leva dall'interno e rimuovere le strisce decorative.

3

- A. Utilizzare un cacciavite a croce per allentare le viti dei cardini. Rimuovere il cardine superiore.
- B. Scollegare il terminale del cablaggio.

4

- A. Sollevare lo sportello per rimuoverlo.
- B. Utilizzare un cacciavite a croce per rimuovere il cardine in basso.

5

- A. Utilizzare una chiave inglese o un paio di pinze per rimuovere l'albero a cerniera, quindi fissarlo nel foro del cardine a sinistra.
- B. Utilizzare un cacciavite a croce per rimuovere le viti del congelatore a sinistra e montarle a destra dello stesso. Montare il cardine inferiore sul lato sinistro.

6

- A. Utilizzare un cacciavite a testa piatta per sollevare il tappo a vite a destra sullo sportello.
- B. Rimuovere l'albero a cerniera in alto, quindi montarlo al contrario sul cardine. Spostare a sinistra il tappo a vite e inserirlo nel foro apposito.

7

- decorativa dello sportello al terminale nel cardine. Rimettere a posto la bardatura posizionandola nel coperchio della striscia decorativa.
- B. Fissare la striscia decorativa e agganciare il piccolo coperchio sul lato destro.
- C. Chiudere il coperchio frontale superiore del congelatore. Inserire nella scanalatura i piccoli coperchi di destra e sinistra.

## II

Direzione di riposizionamento della  
(l'immagine è diversa dal modello).

Intervento sulla maniglia: (figura.1&2)

- A. Utilizzare un cacciavite a taglio per fare leva e aprire la maschera che ricopre la maniglia. Rimuovere le due viti e successivamente la maniglia.
- B. Utilizzare un cacciavite a taglio per inserire il tappo a vite a destra dello sportello. Spostare a sinistra il tappo a vite e inserirlo nel foro apposito. Fissare la maniglia sul lato destro e rimettere la maschera.

Maniglia ordinaria: (figura.3)

- A. Utilizzare un cacciavite a taglio per far leva e sollevare il coperchio superiore della maniglia. Rimuovere le due viti e successivamente la maniglia.
- B. Utilizzare un cacciavite a taglio per sollevare il tappo a vite a destra sullo sportello. Spostare a sinistra il tappo a vite e inserirlo nel foro apposito.
- C. Fissare la maniglia sul lato destro e rimettere la maschera.

## Sbrinamento e pulizia

**SBRINAMENTO DEL CONGELATORE:** il congelatore si sbrina automaticamente. Non è necessaria alcuna operazione manuale.

**PULIZIA:** l'apparecchio deve essere pulito regolarmente per evitare odori provocati da una cattiva conservazione degli alimenti.

Scollegare il cavo di alimentazione prima di pulire il congelatore.

Pulire il congelatore con panno morbido o una spugna e acqua calda (è possibile aggiungere un detergente delicato).

Asciugare le gocce d'acqua sulla superficie del frigorifero con un panno asciutto.

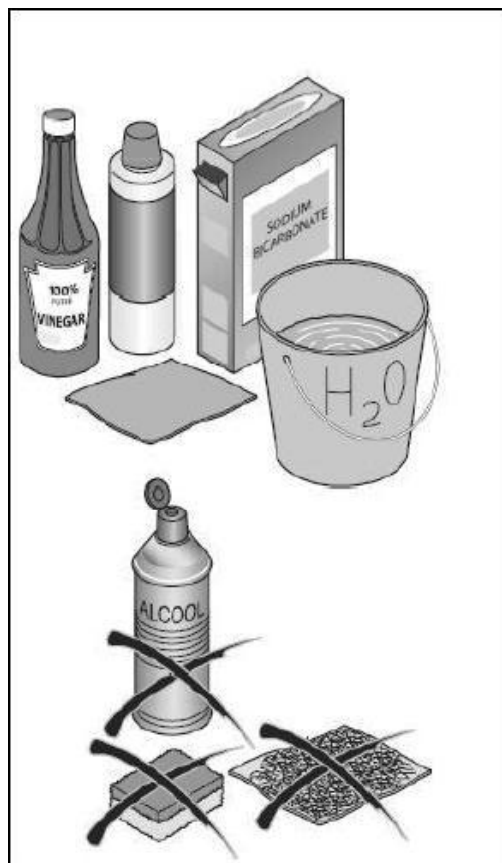
Tenere sempre pulite le guarnizioni dello sportello.

**⚠** Il congelatore è molto pesante. In caso di pulizia o riparazione, fare attenzione a non danneggiare lo sportello durante lo spostamento dell'apparecchio. Durante lo spostamento, tenere il congelatore in posizione verticale. Spostare il congelatore con attenzione per evitare di danneggiare il pavimento.

**⚠** Non spruzzare o rovesciare acqua sul congelatore per evitare che ciò influisca sulle proprietà di isolamento elettrico.

**⚠** Non pulire l'apparecchio utilizzando una spazzola a setole dure, una spazzola metallica, detersivo in polvere, benzina, amilacetato, acetone e soluzioni organiche simili, acqua calda o soluzioni acide o alcaline.

**⚠** Durante la pulizia dello schermo del display, utilizzare un panno asciutto.



## Interruzione dell'uso

Se si prevede di non utilizzare il congelatore per un periodo prolungato, scollegarlo e pulirlo seguendo la procedura sopra descritta.

Lasciare aperto lo sportello del congelatore per evitare che eventuali residui di cibo nel vano producano cattivi odori.

**⚠** Per assicurare il buon funzionamento dell'apparecchio, si consiglia di non spegnere il congelatore a meno che non sia necessario.

## Spostamento del congelatore

Scollegare la spina per isolarsi dall'alimentazione elettrica.

Rimuovere tutti gli alimenti dal congelatore.

Fissare con del nastro adesivo i cassetti e le altre parti rimovibili nel congelatore.

Chiudere lo sportello e fissarlo con del nastro adesivo per evitare che si apra durante lo spostamento.

Non inclinare il congelatore oltre i 45° (angolo in base alla verticale) per evitare di danneggiare il sistema del refrigeratore durante lo spostamento.

Ricoprire i piedini del congelatore per evitare graffi sul pavimento. Non forzare lo spostamento del congelatore; non spostare il congelatore tenendolo per la maniglia, per il coperchio o per i tubi per evitare danni o lesioni personali e per evitare danni al prodotto stesso.

**⚠** Non mettere mai il congelatore in posizione orizzontale.

# RISOLUZIONE DEI PROBLEMI

Prima di contattare l'assistenza, leggere la seguente tabella sulla risoluzione dei problemi, perché può far risparmiare tempo e denaro.

Italiano

PROBLEMI	CAUSE	SOLUZIONI
<b>Funzionamento del congelatore</b>		
Il compressore non funziona	Il prodotto si trova in fase di sbrinamento. Il congelatore non è collegato alla presa elettrica. Il prodotto è SPENTO.	<ul style="list-style-type: none"> <li>☐ Ciò è normale per un congelatore con sbrinamento automatico.</li> <li>☐ Controllare che la spina, la presa o il fusibile non siano danneggiati. Se sono IN BUONO STATO, accendere l'apparecchio.</li> <li>☐ Premere il pulsante di accensione per avviare di nuovo il congelatore.</li> </ul>
Il congelatore si attiva spesso o troppo a lungo	<p>La temperatura interna o esterna è elevata.</p> <ul style="list-style-type: none"> <li>☐ Il congelatore è rimasto spento per un periodo di tempo.</li> <li>☐ Lo sportello viene aperto troppo di frequente o viene lasciato aperto troppo a lungo.</li> <li>☐ Lo sportello del congelatore non è chiuso bene.</li> <li>☐ La temperatura impostata è troppo bassa.</li> <li>☐ La guarnizione dello sportello non è quella giusta, è sporca, danneggiata.</li> <li>☐ Il condensatore è sporco.</li> </ul>	<ul style="list-style-type: none"> <li>☐ In questo caso la prolungata attivazione del congelatore è normale.</li> <li>☐ Generalmente, sono necessarie dalle 8 alle 12 ore per il completo raffreddamento del congelatore.</li> <li>☐ L'aria calda entra nel congelatore provocando il suo frequente avvio. Non aprire lo sportello frequentemente.</li> <li>☐ Assicurarsi che il congelatore sia posizionato in piano e che non ci siano alimenti o contenitori che urtano lo sportello.</li> <li>☐ Impostare la temperatura a un livello più alto finché il congelatore non raggiunge una temperatura soddisfacente. Sono necessarie 24 ore per raggiungere la temperatura del congelatore.</li> <li>☐ Pulire e riposizionare la guarnizione dello sportello. Una guarnizione difettosa può causare l'attivazione prolungata del congelatore per mantenere la temperatura desiderata.</li> <li>☐ Pulire il condensatore rimuovendo la polvere con un panno, oppure usando un aspirapolvere domestico</li> </ul>
<b>Temperatura troppo alta</b>		
Temperatura troppo alta all'interno del prodotto	<p>Lo sportello viene aperto troppo di frequente oppure ogni volta viene lasciato aperto per troppo tempo.</p> <ul style="list-style-type: none"> <li>☐ La temperatura viene impostata su un valore troppo alto.</li> <li>☐ Lo sportello non è chiuso bene.</li> <li>☐ Il condensatore è sporco.</li> </ul>	<p>L'aria calda entra nel frigorifero ogni volta che lo sportello viene aperto. Provare ad aprire lo sportello il meno possibile.</p> <ul style="list-style-type: none"> <li>☐ Ripristinare la temperatura.</li> <li>☐ Assicurarsi che il congelatore sia posizionato in piano e che non ci siano alimenti o contenitori che urtano lo sportello.</li> <li>☐ Pulire il condensatore rimuovendo la polvere con un panno, oppure usando un aspirapolvere domestico.</li> </ul>
<b>Acqua/condensa/ghiaccio sulla superficie esterna del congelatore</b>		
La condensa si accumula sulla superficie esterna del congelatore	<ul style="list-style-type: none"> <li>☐ Clima umido.</li> <li>☐ Lo sportello non è chiuso bene. Questo può produrre una condensa dell'aria fredda del congelatore e dell'aria calda proveniente dall'esterno</li> </ul>	<p>Ciò è normale in un clima umido. La condensa si riduce con l'abbassamento dell'umidità.</p> <ul style="list-style-type: none"> <li>☐ Assicurarsi che il pavimento sia una superficie piana e che non ci siano alimenti o contenitori che toccano lo sportello. Chiudere bene lo sportello</li> </ul>

# RISOLUZIONE DEI PROBLEMI

PROBLEMI	CAUSE	SOLUZIONI
<b>Cattivi odori nel congelatore</b>		
La parte interna del congelatore è sporca	È necessario inclinare la parte interna del frigorifero. ☐ Nel congelatore vengono conservati alimenti con forti odori.	Pulire la parte interna del congelatore (consultare Sbrinamento e pulizia). ☐ Controllare che gli alimenti non siano deteriorati. Estrarre dal congelatore gli alimenti deteriorati o che emanano cattivo odore.
<b>Se il congelatore emette</b>		
Un segnale acustico	Lo sportello del congelatore è aperto. ☐ La temperatura all'interno del congelatore è troppo alta. ☐ Alcune parti potrebbero essere danneggiate.	Chiudere lo sportello oppure interrompere manualmente il segnale acustico. ☐ Il segnale acustico è normale al primo avvio o quando gli alimenti vengono conservati per la prima volta. È possibile interromperlo manualmente. ☐ Contattare il personale del servizio post-vendita al numero 199-100912.
Un rumore anomalo	Il congelatore non è stato posizionato su una superficie piana. ☐ Il congelatore tocca alcuni oggetti che si trovano intorno.	Regolare il piedino per mettere in piano il congelatore. ☐ Rimuovere gli oggetti che si trovano intorno a esso.
Un suono leggero simile a quello dell'acqua che scorre	Si tratta del suono del sistema di refrigerazione.	Normale.
Calore dal congelatore	Il sistema di refrigerazione è in funzione.	Ciò è normale perché evita la formazione della condensa.

## Targhetta

La targhetta si trova all'interno del vano del congelatore, attaccata in basso a sinistra. Essa contiene informazioni importanti sull'apparecchio e quindi non va manomessa o rimossa. La capacità e il consumo di energia nominale indicati sulla targhetta sono soggetti agli standard in materia.

In relazione ai dettagli delle specifiche, consultare la targhetta e l'etichetta energetica all'interno del prodotto.

Questo elettrodomestico deve essere utilizzato alle temperature ambiente indicate di seguito:

SN	+ 10°C~+32°C
N	+ 16°C~+32°C
ST	+ 16°C~+38°C
T	+ 16°C~+43°C

La garanzia minima è: 2 anni per i Paesi UE, 3 anni per la Turchia, 1 anno per il Regno Unito, 1 anno per la Russia, 3 anni per la Svezia, 2 anni per la Serbia, 5 anni per la Norvegia, 1 anno per il Marocco, 6 mesi per l'Algeria; per la Tunisia non è richiesta alcuna garanzia legale.

"Termostati, sensori di temperatura, circuiti stampati e sorgenti luminose sono disponibili per un periodo minimo di sette anni dopo la collocazione sul mercato dell'ultima unità del modello. Maniglie degli sportelli, cerniere degli sportelli, vassoi e cestini per un periodo minimo di sette anni; guarnizioni degli sportelli per un periodo minimo di 10 anni dopo aver la collocazione sul mercato dell'ultima unità del modello".

## Gracias por comprar productos Haier

Lea estas instrucciones con detenimiento antes de usar el aparato. La información contenida en las instrucciones le servirá de ayuda para realizar una instalación correcta y segura y le indicará cómo darle el mejor uso y mantenimiento posibles al aparato para obtener así su máximo provecho.

Guarde bien este manual para que pueda consultarlo siempre que lo necesite y asegurarse de que hace un uso correcto del aparato.

En el caso de que venda, regale o abandone el aparato por cualquier motivo, asegúrese de que incluye este manual con el producto para que el nuevo propietario pueda familiarizarse con las opciones y las advertencias de seguridad del mismo.

# ÍNDICE

PRECAUCIONES.....	3
INFORMACIÓN PRELIMINAR.....	6
FUNCIONES .....	8
MANTENIMIENTO .....	14
SOLUCIÓN DE ANOMALÍAS .....	15

# PRECAUCIONES

## Símbolos

- ⚠ Atención
- ⚠ Precaución
- ⊘ Prohibición

## Desechado

La presencia de este símbolo en el producto, en los accesorios o en cualquier material que se proporcione con esta información indica que al final de su vida útil, el producto y sus accesorios electrónicos (por ejemplo, cargador, auriculares, cable USB) no se deben desechar junto con los demás residuos domésticos. Para evitar posibles efectos nocivos sobre el medio ambiente y la salud humana derivados de un vertido incontrolado de residuos, separe estos elementos de los demás tipos de residuos y recíclelos. De este modo promoverá la reutilización sostenible de los recursos materiales.

Cada usuario particular deberá ponerse en contacto con el comercio donde adquirió el producto o la autoridad local competente para obtener la información necesaria para reciclar cada elemento de una forma segura para el medio ambiente. En el caso de usuarios empresariales deberá ponerse en contacto con su proveedor y comprobar las condiciones de compra. Este producto y sus accesorios electrónicos no se deben mezclar con otros residuos comerciales.



## Información preliminar...

- ⚠ Este aparato utiliza una fuente de alimentación de CA.

Conecte el aparato a un voltaje normal. En caso de fluctuaciones del voltaje, es posible que el aparato no arranque, que el control de temperatura o el compresor sufran daños, o que se produzcan ruidos anormales. En este caso, añada un estabilizador adecuado.

- ⚠ Es necesario utilizar una toma de corriente adecuada.

En cualquier caso, asegúrese de que la toma de corriente está conectada a tierra y no realice ningún cambio en el cable de alimentación ni en el enchufe. El enchufe del cable de alimentación se debe conectar firmemente a la toma de corriente. De lo contrario, se podría producir un incendio. Una vez instalado el aparato, es necesario poder acceder al enchufe fácilmente para poder desconectarlo en caso de que se produzca algún incidente.

- ⊘ No dañe el cable de alimentación.

No tire del cable de alimentación para desconectar el enchufe. Sujete el enchufe para desconectarlo directamente de la toma de corriente.

El cuerpo del aparato no debe presionar el cable de alimentación. NO aplaste el cable de alimentación.

- ⊘ Si se producen daños en el cable de alimentación:

Si el cable de alimentación está dañado o el enchufe está desgastado, evite su uso. El cable de alimentación dañado o desgastado deberá ser reemplazado por el fabricante o por personal cualificado en el proveedor de mantenimiento especificado.

Si es necesario utilizar un cable de alimentación más largo, la sección transversal del cable de alimentación añadido no debe ser inferior a 0,75 mm<sup>2</sup>.

- ⚠ Mantenga las aperturas de ventilación libres de obstrucciones en el recinto donde esté colocado el aparato o en la estructura donde esté encastrado.

- ⚠ Si se producen fugas de gas inflamable como, por ejemplo, gas natural:

Cierre la válvula donde se está produciendo la fuga de gas. Abra las ventanas y puertas de la casa. NO conecte/desconecte el enchufe de alimentación del aparato ni otros aparatos eléctricos.

- ⚠ Peligro de congelación

No toque la superficie interior del compartimento de almacenamiento del congelador mientras el congelador está en funcionamiento, especialmente con las manos húmedas ya que las manos se le podrían congelar sobre la superficie.

# PRECAUCIONES

⚠ Si el aparato cae en desuso:

Mantenga el aparato alejado del fuego para evitar accidentes. Retire la puerta del aparato (abra la puerta y sujétela antes de retirar los tornillos) para evitar que los niños accedan al aparato y sufran un accidente. Envíe el aparato al lugar de eliminación designado.

⚠ Utilice el mango para abrir la puerta.

⚠ No almacene ni utilice gasolina ni ningún otro tipo de material inflamable cerca del congelador para evitar incendios.

⚠ No almacene nunca sustancias inflamables, explosivos, ácidos altamente corrosivos, álcalis ni otros tipos de productos químicos en el congelador.

⚠ No almacene nunca botellas de cerveza ni de otras bebidas en el congelador, ya que podrían explotar al congelarse.

⚠ No utilice aparatos eléctricos en el interior de los compartimentos de almacenamiento de alimentos del aparato, salvo que sean del tipo recomendado por el fabricante.

⚠ Preste atención a los niños

⚠ Si las bombillas están dañadas, deben ser sustituidas por el fabricante o por una persona competente del servicio de mantenimiento especificado.



⚠ Mantenga el aparato alejado del agua

No utilice agua para pulverizar ni rociar el congelador y no coloque el congelador en un lugar húmedo o un lugar donde sea sencillo que sea rociado de agua para evitar que esto afecte al rendimiento del aislamiento eléctrico del aparato o incluso que se produzca una descarga eléctrica o un incendio.

⚠ No dañe el circuito refrigerante

El desensamblaje y la alteración del congelador son operaciones que deben ser autorizadas. Cualquier movimiento de agitación del congelador podría dañar los tubos de refrigeración. La reparación del aparato la debe realizar personal profesional.

⚠ Desconecte el enchufe de alimentación en las siguientes circunstancias:

Antes de llevar a cabo tareas de limpieza y mantenimiento, o en caso de que el aparato esté apagado o de que se haya producido un fallo, desconecte el enchufe de alimentación del congelador. Cuando vaya a desconectar el enchufe del aparato, espere al menos 5 minutos antes de volver a arrancarlo de nuevo, ya que un arranque frecuente podría dañar el compresor.

⚠ Este congelador es un electrodoméstico destinado únicamente a almacenar alimentos. No almacene sangre, medicinas, productos biológicos ni cualquier otro producto en el aparato.

⚠ Mantenga las aperturas de ventilación libres de obstrucciones en el recinto donde esté colocado el aparato o en la estructura donde esté encastrado.

Este producto no está pensado para ser utilizado por personas (incluidos niños) con discapacidad mental, sensorial o física, o bien por quienes no tienen experiencia o carecen de conocimiento, a menos que otra persona responsable de su seguridad supervise su uso o le indique cómo debe hacerlo.

El uso previsto de este electrodoméstico es en hogares y lugares similares como

- zonas de cocina para personal de tiendas, oficinas y otros entornos laborales;
- viviendas en granjas y para clientes de hoteles, moteles y otros entornos residenciales;
- entornos de tipo pensión;
- catering y aplicaciones no minoristas parecidas.

Consejos para el ahorro de energía

Instale el aparato en una habitación seca y fresca con una ventilación adecuada.

Al instalar el aparato, mantenga un espacio de al menos 10 cm por encima y alrededor del congelador para garantizar una ventilación adecuada alrededor del aparato.

Deje que los alimentos se enfríen antes de introducirlos en el aparato.

No deje la puerta del aparato abierta durante demasiado tiempo mientras introduce o saca alimentos.

Cuanto menos tiempo esté abierta la puerta, menos hielo se formará en el congelador.

Limpie la parte trasera del congelador de forma habitual. El polvo aumenta el consumo de energía.

No ajuste una temperatura superior a la necesaria.

No cubra las aperturas de ventilación.

# PRECAUCIONES

## Congelación y almacenamiento de alimentos frescos

Los alimentos se deben almacenar manteniendo espacio entre los mismos, lo que beneficia el ciclo de refrigeración.

Los alimentos se deben almacenar en diferentes categorías, de modo que pueda encontrarlos de una forma más sencilla.

Es necesario sellar los alimentos antes de almacenarlos en el congelador para evitar olores y pérdida de agua.

Es opcional empaquetar los alimentos antes de colocarlos en el congelador. La superficie exterior del empaquetado debe estar seca para evitar que los envoltorios se peguen. Los materiales de los envoltorios deben ser inodoros, herméticos, no venenosos y no tóxicos.

Le sugerimos que identifique cada porción de alimento con la siguiente información:

- Nombre del alimento
- Peso de la porción
- Cantidad (número de piezas)
- Fecha de congelación
- Fecha límite de almacenamiento

Consulte el diagrama del interior del congelador para conocer los límites de tiempo de almacenamiento de alimentos habituales:

### CAJA DE PIZZA

		
<b>2-6</b>	<b>4-8</b>	<b>6-12</b>
		

1. Guisos, helados, embutidos, pan
2. Pescado, gambas, cordero, carne
3. Verduras, frutas, pollo, ternera

Los alimentos deben ser frescos, estar maduros y ser de buena calidad.

Las frutas y verduras frescas se deben congelar, si es posible, justo después de su recolección para conservar la mayoría de sus nutrientes, su estructura, su textura, su color y su sabor.

En el caso de la carne y las carnes de caza, es preferible esperar un período lo suficientemente prolongado antes de congelarlas.

La comida caliente debe ser enfriada previamente a temperatura ambiente antes de colocarla en el congelador.

⚠ Saque solo la cantidad de alimento que necesite del congelador. Los alimentos descongelados no se pueden volver a congelar, salvo que los cocine en primer lugar. De lo contrario, podrían ser menos comestibles.

Evite colocar alimentos frescos junto a alimentos que ya estén completamente congelados. Los alimentos ya congelados pueden descongelarse y es posible que no aguanten el tiempo de almacenamiento previsto.

Para realizar un proceso de congelación correcto, active la función de congelado rápido (consulte el capítulo sobre funciones) 2 horas antes de almacenar los alimentos frescos.

⚠ No introduzca grandes cantidades de alimentos frescos en el congelador. Le recomendamos que consulte la capacidad de congelación del congelador.

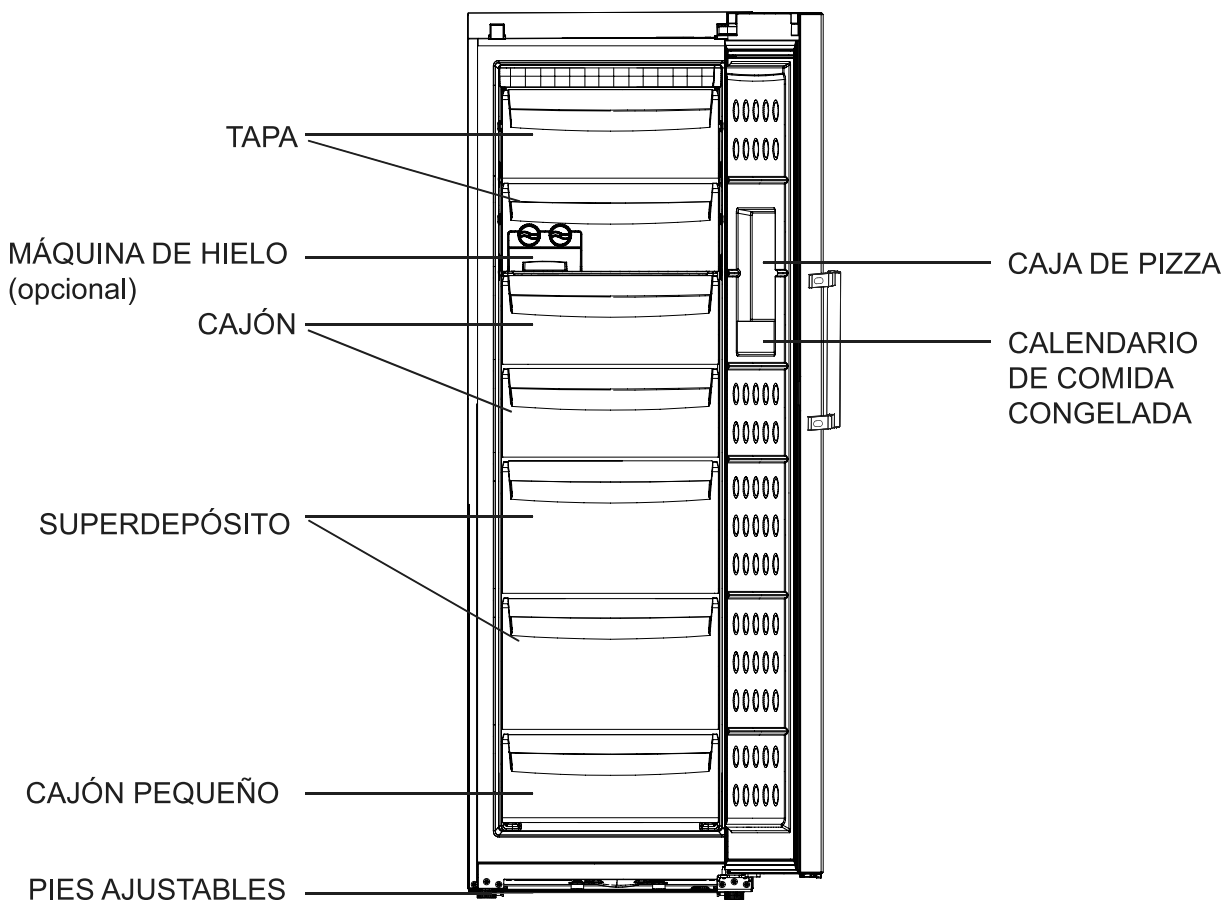
En general, basta con 24 horas para completar el proceso de congelación. Transcurrido este tiempo, la función se desactivará automáticamente.

Si va a congelar una pequeña cantidad de alimentos, es posible detener la función manualmente transcurridas unas pocas horas para evitar un consumo de energía innecesario.

# INFORMACIÓN PRELIMINAR

## Descripción

Este diagrama podría ser ligeramente diferente al diseño del congelador que acaba de comprar.



(asas de transporte en la parte frontal, ruedas de transporte en la parte posterior)

Los cajones grandes, los superdepósitos y los cajones pequeños se pueden extraer para aumentar el espacio de almacenamiento del congelador.

Diferentes alimentos deben ser colocados en diferentes áreas de acuerdo a sus propiedades

- |                   |  |
|-------------------|--|
| LID, SMALL DRAWER | Mantequilla, queso, comida fresca Raw, etc.                |
| DRAWER            | Productos de carne, aperitivos, alimentos encurtidos, etc. |
| SUIPER STORE      | Alimentos enlatados, tofu, lácteos, pasta, etc.            |

Para aparatos eléctricos sin compartimentos de cuatro estrellas: Estos aparatos de refrigeración no son adecuados para alimentos congelados

Para obtener más información sobre el producto, consulte <https://eprel.ec.europa.eu/> o escanee el QR en la etiqueta de energía suministrada con el aparato.

Para ponerse en contacto con la asistencia técnica, visite nuestro sitio web: <https://corporate.haier-europe.com/en/>

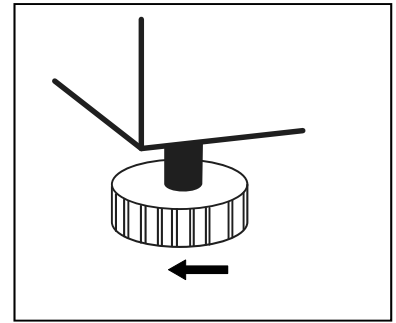
En la sección "sitio web", elija la marca de su producto y su país. Será redirigido a la página web específica donde podrá encontrar el teléfono número y formulario para ponerse en contacto con la asistencia técnica

Nota: este producto contiene una fuente de luz de clase de eficiencia energética <G>.

# INFORMACIÓN PRELIMINAR

## Lugar de emplazamiento

El congelador debe situarse sobre una superficie sólida y plana. Si el aparato se coloca sobre un pedestal, deberá utilizar materiales lisos, firmes y resistentes al fuego. No utilice nunca el material de embalaje de espuma como pedestal. Si la estabilidad del congelador es ligeramente deficiente, puede alargar o acortar las patas ajustables del congelador. Para ello, gírelas hacia la derecha o hacia la izquierda para aumentar o reducir la altura del congelador. No coloque el congelador bajo la luz directa del sol ni en un lugar donde esté expuesto a elevadas temperaturas para garantizar el rendimiento óptimo del mismo. Instale el aparato en un lugar bien ventilado y deje un espacio de al menos 10 cm por encima y alrededor del congelador.



No coloque nunca el congelador en una zona húmeda ni en una ubicación donde pueda salpicarle agua. Limpie y seque cualquier mancha y salpicadura de agua con un paño suave para evitar la oxidación.

No coloque el congelador en un lugar donde la temperatura sea demasiado baja (por debajo de 5 °C). No coloque el congelador en zonas exteriores ni bajo la lluvia.

## Preparación antes del uso

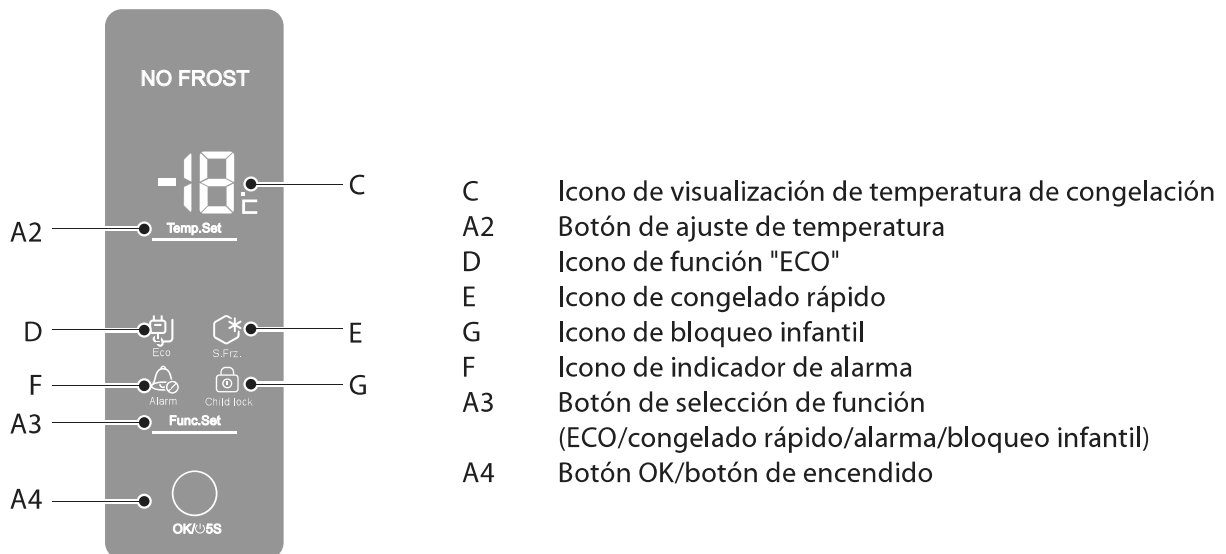
Saque todas las piezas del embalaje, la base de espuma y la cinta adhesiva que sujeta los accesorios. Coloque el congelador en el lugar adecuado (consulte el capítulo Lugar de emplazamiento).

Limpie el interior y el exterior del congelador antes de utilizarlo (consulte el capítulo Descongelación y limpieza).

Después de nivelar y limpiar el aparato, déjelo en reposo durante al menos 6 horas antes de conectarlo para garantizar un funcionamiento normal.

# FUNCIONES

## Panel de controles



## Arranque

"Nota: - La alarma de alta temperatura no sonará cuando el congelador se encienda por primera vez. Solamente sonará después de 3 horas si el congelador no se ha enfriado por debajo de los 0 °C."

Introduzca el enchufe en la toma de corriente para conectar el congelador. En este momento la parrilla C muestra la temperatura real en el interior del congelador.

El indicador LED de alarma F y la señal acústica le indicarán que la temperatura en el interior del congelador no es lo suficientemente baja como para almacenar alimentos. Pulse el botón A3 para elegir la función "Alarm" (Alarma) y, a continuación, pulse el botón A4 para desactivar la señal acústica. No obstante, la luz de advertencia seguirá encendida hasta que el congelador alcance una temperatura de 0 °C. Cuando en la pantalla aparezca la temperatura de 0 °C, el estado de alarma se detendrá automáticamente y el congelador estará listo para almacenar alimentos.

Comprobación del panel de controles:

Toque cualquier botón de la pantalla y compruebe si la zona de temperatura y el icono seleccionado se pueden iluminar.

Ajuste de la temperatura:

Para ajustar la temperatura, pulse el botón A2. Durante el ajuste de la temperatura, dos números en pantalla mostrarán el punto de ajuste de forma intermitente. Pulse más veces este botón para modificar el punto de ajuste de forma cíclica y descendente de -14 °C a -26 °C.

Si no realiza ninguna acción mediante el botón OK en 5 segundos, el punto de ajuste se almacenará automáticamente.

Una vez ajustada la temperatura, los dos números de la pantalla volverán al modo de visualización de temperatura del congelador.

El ajuste de temperatura del fabricante es -18 °C. Se recomienda utilizar la configuración por defecto; no es necesario ajustarla.

Función de encendido:

Pulse el botón A4 durante 5 segundos para apagar el congelador. Vuelva a pulsarlo para encender de nuevo el congelador.

**⚠** Antes de realizar cualquier tarea de limpieza, asegúrese de desconectar el aparato de la fuente de alimentación. Para ello, tire del enchufe; no es suficiente con apagar el aparato pulsando el botón de encendido.

# FUNCIONES

## Funciones del congelador

**CONGELADO RÁPIDO:** pulse el botón A3 para elegir la función "S.FRZ" (Congelado rápido) y, a continuación, pulse el botón A4 para activar la congelación rápida de alimentos frescos.

El indicador luminoso E se encenderá para indicar que la función está activada.

El indicador luminoso permanecerá encendido hasta que se desactive la función.

Si va a congelar una gran cantidad de alimentos a la vez, se recomienda activar la función 30 horas antes de introducir los alimentos. La función se puede detener manualmente o puede esperar a que se detenga automáticamente transcurridas 56 horas. El consumo de energía aumentará mientras que la función se encuentre activada.

**FUNCIÓN ECO:** con la pantalla desbloqueada, pulse el botón A3 para elegir la función "ECO" y, a continuación, pulse el botón A4 para activar la función de ahorro de energía y ajustar la temperatura en un intervalo de entre -18 °C y -14 °C. Si la temperatura es de -19 °C o inferior, al activar la función ECO se ajustará automáticamente a -18 °C.

Si esta función se encuentra activada, el indicador LED D estará encendido hasta que se desactive la función. Puede pulsar el botón A3 para elegir la función "ECO" y, a continuación, pulsar el botón A4 para desactivar la función.

La función "ECO" y la función de congelado rápido no se pueden utilizar a la vez.

**FUNCIÓN ECO 2:** Cuando la temperatura se configura en un rango de -23 °C a -26 °C, esta se configura automáticamente en -22 °C cuando el congelador lleva 56 horas en funcionamiento para ahorrar energía y conservar los alimentos de forma efectiva. Los alimentos comunes pueden conservarse efectivamente a -18 °C o menos. Configurar una temperatura demasiado baja aumenta el consumo de energía eléctrica. (No es necesario ajustar esta función manualmente.)

La configuración que más ahorro de energía permite requiere que el cajón, los cajones de alimentos y los estantes se coloquen en el aparato en la posición original de fábrica, y que los alimentos se coloquen sin obstruir la salida de aire del conducto.

**Bloqueo infantil:** con la pantalla desbloqueada, pulse el botón A3 para seleccionar la función Bloqueo infantil y, a continuación, pulse el botón A4 para activar la función. Desbloqueo: toque cualquier botón de la pantalla. La pantalla y el botón de bloqueo infantil se iluminarán. Pulse el botón A3 y el botón de bloqueo infantil parpadeará. Pulse el botón A4, la pantalla quedará desbloqueada.

Cuando la pantalla está bloqueada, el botón A2 no funciona. Cuando el botón A3 está pulsado, solo se activa la función de bloqueo para niños, y la función de encendido del botón A4 se desactiva.

## Señales de alarma

**ALARMA DE TEMPERATURA:** si la temperatura del interior del congelador es superior a 0°C, la alarma intermitente y el indicador LED F parpadeando le avisarán del estado de alarma. En la pantalla aparecerá el código HH.

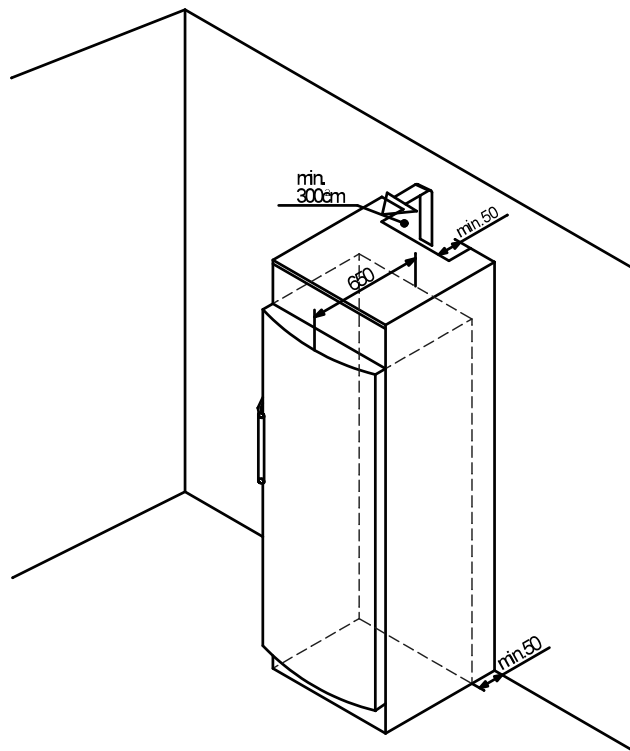
Una vez desbloqueada la pantalla, pulse el botón A3 para elegir la función "Alarm" (Alarma) y, a continuación, pulse el botón A4. Puede detener la señal acústica, pero el estado de alarma continuará hasta que la temperatura interna sea inferior a 0°C.

**ALARMA DE PUERTA:** si se deja la puerta abierta durante 60 segundos, este estado anómalo se notificará mediante una alarma intermitente. El estado de alarma se detendrá si cierra la puerta o si pulsa el botón para seleccionar la función "Alarm" (Alarma) y, a continuación, el botón OK. No obstante, en este segundo caso el estado de alarma volverá a comenzar transcurridos 120 segundos si la puerta sigue abierta.

En este punto, realice las siguientes comprobaciones según el procedimiento indicado: (1) Si la puerta se cierra y abre correctamente. (2) Si la puerta se abre frecuentemente, o si permanece abierta demasiado tiempo seguido. (3) Si se introducen demasiados alimentos a la vez. Si se producen las condiciones anteriores, puede cancelar la alarma. El mensaje "HH" desaparecerá hasta que la temperatura del interior del congelador descienda a 0 °C o menos.

# FUNCIONES

## Colocación del aparato en una fila de muebles de cocina



El aparato se puede colocar en una fila de muebles de cocina. Para que el aparato se ajuste a la altura de la fila de muebles se puede añadir un armario para encastrarlo. Si coloca el aparato en una fila de muebles de cocina estándar (máx. profundidad 580 mm), el aparato se puede instalar justo al lado del mueble de cocina. La puerta del aparato sobresale 34 mm por el lado y 55 mm en la zona media del aparato con respecto al mueble de cocina. De este modo es posible abrir y cerrar la puerta perfectamente.

Para dispositivos independientes: Este dispositivo de refrigeración no está destinado a ser utilizado como un dispositivo integrado

Importante para la ventilación:

En la parte trasera del armario debe haber un conducto de ventilación de al menos 50 mm de profundidad que ocupe todo el ancho del armario.

El espacio de ventilación por debajo del techo debe ser de al menos 300 cm<sup>2</sup>.

Cuanto mayor sea el espacio de ventilación, mayor será el ahorro de energía del aparato.

Si el aparato se instala con las bisagras cerca de una pared, la distancia entre el aparato y la pared debe ser de al menos 55 mm. Esta medida se corresponde con la distancia que sobresale el mango cuando la puerta está abierta.

## Información de uso

### 1. APERTURA DE TAPAS

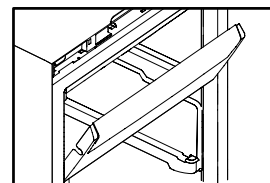
Para abrir las tapas superiores, levántelas ligeramente y tire de ellas hacia afuera.

Abra la tapa para colocar alimentos en el interior del cajón.

Cierre la tapa para evitar el contacto con la puerta.

La tapa se puede extraer para aumentar el espacio de almacenamiento.

NOTA: las dos capas de la parte superior incorporan tapas, pero no se permite la colocación de alimentos en la parte delantera de la placa de cristal, de lo contrario, puede que las tapas no cierren. Si es el caso, compruebe los alimentos, ajuste su ubicación y vuelva a cerrar las tapas. Advertencia: compruebe que las tapas están cerradas antes de cerrar la puerta. Asegúrese de cerrar la puerta después de cerrar las tapas correctamente para que no se produzca presión sobre estas.



### 2. EXTRACCIÓN DE CAJONES

Saque los cajones completamente y, a continuación, levántelos ligeramente para extraerlos.

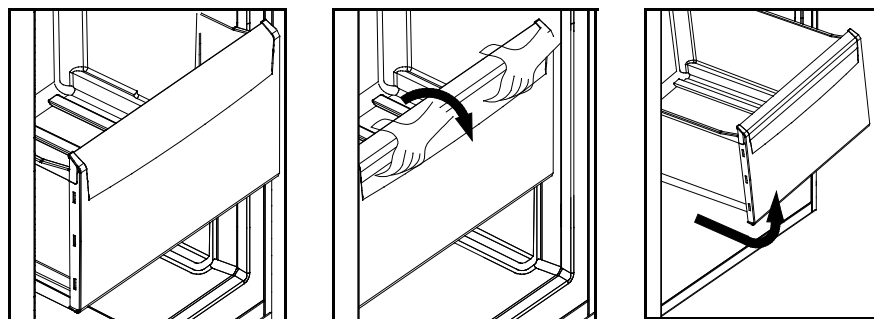
Los cajones (salvo los cajones inferiores) se pueden extraer completamente para aumentar el espacio de almacenamiento.

Algunos modelos disponen de guías de deslizamiento.

### 3. SUPERDEPÓSITO

Saque el superdepósito completamente. Levántelo y sáquelo de las guías telescópicas.

NOTA: algunos modelos del cajón grande incluyen una estructura deslizante. Modo correcto de extraer el cajón: primero, saque los alimentos y empuje el cajón hasta el fondo, después eleve la parte posterior y tire de él. No eleve el cajón hasta que esté bloqueado, después podrá sacarlo fácilmente. Si no lo consigue, empújelo hasta el fondo y vuelva a repetir los pasos.

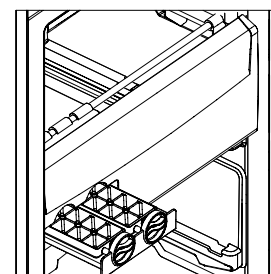
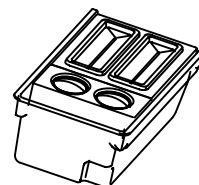


### 4. PRODUCCIÓN DE CUBITOS DE HIELO

Algunos modelos están equipados con un sistema de producción de hielo que incluye bandejas de cubitos de hielo con dispositivo de extracción y una cubeta de hielo.

A

B



### 5. Extracción de las bandejas de hielo

Limpie y rellene de agua las bandejas de hielo. Vuelva a colocarlas en el soporte.

Espere unas horas hasta que el hielo esté listo. A continuación, gire los tiradores para extraer los cubitos de hielo.

Los cubitos de hielo caerán directamente al contenedor.

6. En los cajones de la puerta se pueden almacenar pizzas envasadas con un grosor inferior a 30 mm u otro tipo de alimento envasado.

Algunos modelos disponen de placas eutécticas. Además, puede comprar placas eutécticas y colocarlas en el congelador. El grosor de las placas eutécticas debe ser inferior a 30 mm.

# FUNCIONES

**I** Inversión de puerta:  
desmontaje de la puerta desde la derecha(①&②).  
(Representación gráfica en página del último del librete de la instrucción.)

## ① (figura ①)

### 1、

#### 1.1

Utilice un destornillador plano para desmontar la cubierta de la bisagra del lado derecho y luego separe el terminal conectado a la parte superior de la bisagra.

#### 1.2

Utilice un destornillador de estrella para aflojar los tornillos de la bisagra. Retire la bisagra superior.

#### 1.3

Desplace el montaje de la puerta hacia arriba para retirarlo.

### 2、

#### 2.1

Utilice un destornillador de cabeza plana para desmontar la cubierta pequeña del lado izquierdo del compartimento del congelador. Instálela en el orificio que hay en el lado derecho del compartimento del congelador.

#### 2.2

Retire la cubierta protectora en la parte frontal del compartimento y tire del cable de señal hacia el lado izquierdo del compartimento.

#### 2.3

Introduzca el cable de señal en la hendidura de la cubierta protectora frontal y fíjelo con dicha placa.

### 3、

#### 3.1

Desmonte el manguito del eje de la bisagra del lado derecho y la cubierta del lado izquierdo de la puerta.

#### 3.2

Apriete el cable de señal para introducirlo en la hendidura de la banda decorativa del lado derecho de la puerta, y luego cierre la cubierta.

#### 3.3

Extraiga el cable de señal de la muesca del lado izquierdo de la puerta e introdúzcalo en el manguito del eje de la bisagra, para finalmente introducirlo en la banda decorativa.



Desconecte y vacíe el aparato antes de comenzar la operación.

### 4、

#### 4.1

Desmonte la cruceta del tope metálico del lado derecho del montaje de la puerta, y luego instálelo en la posición correspondiente en el lado izquierdo del montaje de la puerta.

#### 4.2

Utilice un destornillador de estrella para retirar la bisagra inferior.

### 5、

A. Utilice una llave inglesa o unos alicates para retirar el eje de la bisagra y colocarlo en el orificio izquierdo de bisagra.

B. Utilice un destornillador de estrella para retirar los tornillos del lado izquierdo del cuerpo del armario y monte los tornillos en el lado derecho del armario. Monte la bisagra inferior en el lado izquierdo.

### 6、

#### 6.1

Instale el montaje de la puerta en el eje del montaje del compartimento.

### 7、

#### 7.1

Extraiga la bisagra y la cubierta de recambio del cajón del congelador y guarde la bisagra y la cubierta desmontadas en una bolsa.

#### 7.2

Introduzca la bisagra en el orificio del lado izquierdo del montaje de la puerta, fije la bisagra con los tornillos y conéctela a tierra colocando arandelas debajo de los tornillos.

#### 7.3

Conecte los terminales del compartimento del congelador a los terminales del montaje de la puerta y luego fije la cubierta de la bisagra.

## ②(figura ②)

1

- A. Abra la puerta.
- B. Presione con fuerza hacia abajo para extraer las dos pequeñas cubiertas situadas a derecha e izquierda.
- C. Extraiga la cubierta frontal haciendo palanca hacia afuera.

2

- A. Utilice un destornillador para retirar la pequeña cubierta situada en el lado derecho de la puerta.
- B. Utilice un destornillador para hacer palanca hacia dentro y retirar las tiras decorativas.

3

- A. Utilice un destornillador de estrella para desenroscar los tornillos de la bisagra. Retire la bisagra superior.
- B. Desconecte el terminal de cableado.

4

- A. Tire de la puerta hacia arriba para extraerla.
- B. Utilice un destornillador de estrella para retirar la bisagra inferior.

5

- A. Utilice una llave inglesa o unos alicates para retirar el eje de la bisagra y colocarlo en el orificio izquierdo de bisagra.
- B. Utilice un destornillador de estrella para retirar los tornillos del lado izquierdo del cuerpo del armario y monte los tornillos en el lado derecho del armario. Monte la bisagra inferior en el lado izquierdo.

6

- A. Utilice un destornillador plano para retirar haciendo palanca el tapón de tornillo situado en el lado derecho de la puerta.
- B. Retire el eje de la bisagra superior y colóquelo al revés en la bisagra. Mueva el tapón de tornillo hacia la izquierda e introdúzcalo en el orificio de tornillo.

## II

Cambio de la orientación del mango: en función de las distintas configuraciones (la figura es diferente).

Mango auxiliar: (figura.1&2)

- A. Utilice un destornillador plano para extraer haciendo palanca la cubierta superior. Retire los dos tornillos y, a continuación, retire el mango.
- B. Utilice un destornillador plano para retirar haciendo palanca el tapón de tornillo situado en el lado derecho de la puerta. Mueva el tapón de tornillo hacia la izquierda e introdúzcalo en el orificio de tornillo. Coloque el mango en el lado derecho y coloque la cubierta.

7

- A. Conecte la línea de señal de la tira decorativa de la puerta al terminal de la bisagra. Ordene el cable y colóquelo en la cubierta de la tira decorativa.
- B. Fije la tira decorativa y coloque la pequeña cubierta del lado derecho.
- C. Cierre la cubierta frontal superior del armario. Introduzca las pequeñas cubiertas de la izquierda y la derecha en la ranura.

Mango normal: (figura.3)

- A. Utilice un destornillador plano para extraer haciendo palanca la cubierta superior. Retire los dos tornillos y, a continuación, retire el mango.
- B. Utilice un destornillador plano para retirar haciendo palanca el tapón de tornillo situado en el lado derecho de la puerta. Mueva el tapón de tornillo hacia la izquierda e introdúzcalo en el orificio de tornillo.
- C. Coloque el mango en el lado derecho y coloque la cubierta.

# MANTENIMIENTO

## Descongelación y limpieza

**DESCONGELACIÓN DEL CONGELADOR:** el congelador se descongela automáticamente. No es necesario realizar ninguna operación manual.

**LIMPIEZA:** el aparato se debe limpiar de forma habitual para evitar que se acumulen malos olores producidos por los alimentos.

Desconecte el cable de alimentación antes de limpiar el congelador.

Limpe el congelador con un paño suave o una esponja y agua templada (puede añadir un detergente suave).

Seque las gotas de agua de la superficie del congelador con un paño seco.

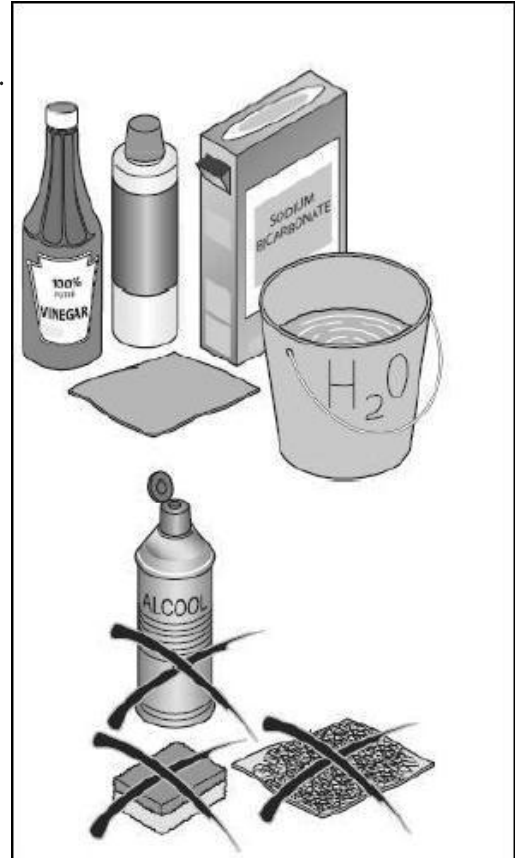
Mantenga siempre limpia la junta de la puerta.

**⚠** El congelador es un aparato muy pesado. Cuando vaya a moverlo para limpiarlo o repararlo, tenga cuidado de no dañar el suelo. Mantenga el congelador en vertical mientras lo mueve. No mueva el congelador sacudiéndolo para no dañar el suelo.

**⚠** No pulverice ni rocíe el congelador con agua para evitar que esto afecte a su capacidad de aislamiento eléctrico.

**⚠** No utilice para la limpieza cepillos duros, cepillos metálicos, detergentes en polvo, gasolina, acetato de amilo, acetona ni soluciones orgánicas similares, agua caliente, ácidos o soluciones alcalinas.

**⚠** Cuando limpie la pantalla u otros aparatos eléctricos, utilice un paño seco.



## Suspensión de uso

Si el congelador no se va a utilizar durante un amplio período de tiempo, desconecte el cable de alimentación y limpie el aparato siguiendo el método descrito anteriormente.

Deje la puerta de congelador abierta para evitar que cualquier alimento que se haya quedado en algún compartimento genere malos olores.

**⚠** Para garantizar la vida útil del aparato, se recomienda no volver a encender el congelador hasta que sea necesario.

## Traslado del congelador

Apague el aparato y desconecte el cable de alimentación.

Saque todos los alimentos del congelador.

Asegure los cajones y otras partes móviles del congelador con cinta adhesiva.

Cierre la puerta y asegúrela con cinta adhesiva para que no se abra durante el traslado.

No incline el congelador más de 45 grados (con respecto a la vertical) para evitar daños en el sistema de refrigeración durante el traslado del congelador.

Envuelva las patas del congelador para evitar rallar el suelo. Nunca mueva el congelador con demasiada fuerza.

No mueva el congelador tirando del mango, de la tapa o de los tubos para evitar daños materiales o personales.

**⚠** Nunca coloque el congelador en posición horizontal mirando hacia abajo.

# SOLUCIÓN DE ANOMALÍAS

Antes de llamar al servicio técnico, consulte primero la siguiente tabla de soluciones de anomalías. Esta acción puede ahorrarle tiempo y dinero. La tabla contiene los problemas más habituales, salvo aquellos causados por defectos de materiales o fabricación del congelador.

PROBLEMAS	CAUSAS	SOLUCIONES
<b>Funcionamiento del congelador</b>		
El compresor no funciona	El producto está en ciclo de descongelación. El congelador no está conectado a la toma de corriente. El producto está APAGADO.	<input type="checkbox"/> Es normal en el caso de un congelador con descongelación automática. <input type="checkbox"/> Compruebe si el enchufe, la toma de corriente o el fusible están dañados. Si ha comprobado que todos los elementos anteriores están bien, encienda el aparato. <input type="checkbox"/> Pulse el botón de encendido para volver a encender el congelador.
El congelador se pone en marcha frecuentemente o se pone en marcha durante un largo período de tiempo	La temperatura interior o exterior es elevada. <input type="checkbox"/> El congelador ha estado apagado durante un tiempo. <input type="checkbox"/> La puerta se abre con demasiada frecuencia o se ha quedado abierta durante un largo período de tiempo. <input type="checkbox"/> La puerta del congelador no cierra correctamente. <input type="checkbox"/> El ajuste de la temperatura es demasiado bajo. <input type="checkbox"/> La junta de la puerta está sucia, desgastada, agrietada o desajustada. <input type="checkbox"/> El condensador está sucio.	<input type="checkbox"/> En este caso, es normal que el congelador se ponga en marcha durante más tiempo. <input type="checkbox"/> Normalmente, el congelador tarda entre 8 y 12 horas en enfriarse totalmente. <input type="checkbox"/> El aire caliente entra en el congelador y hace que se ponga en marcha con frecuencia. No abra la puerta con demasiada frecuencia. <input type="checkbox"/> Asegúrese de que el congelador está colocado a nivel del suelo y que no hay alimentos ni recipientes obstaculizando la puerta. <input type="checkbox"/> Aumente la temperatura hasta obtener la temperatura ideal para el congelador. El congelador tarda 24 horas en lograr la temperatura ideal. <input type="checkbox"/> Limpie o sustituya la junta de la puerta. Una fisura en la junta de la puerta puede provocar que el congelador se ponga en marcha durante más tiempo para mantener la temperatura deseada. <input type="checkbox"/> Limpie el condensador.
<b>Temperatura demasiado elevada</b>		
Temperatura demasiado elevada dentro del producto	La puerta se abre con demasiada frecuencia o se ha quedado abierta durante un largo período de tiempo. <input type="checkbox"/> Se ha ajustado una temperatura demasiado elevada. <input type="checkbox"/> La puerta no cierra correctamente. <input type="checkbox"/> El condensador está sucio.	El aire caliente entra en el congelador siempre que la puerta esté abierta. Intente abrir la puerta con la menor frecuencia posible. <input type="checkbox"/> Reajuste la temperatura. <input type="checkbox"/> Asegúrese de que el congelador está colocado a nivel del suelo y que no hay alimentos ni recipientes obstaculizando la puerta. <input type="checkbox"/> Limpie el condensador.
<b>Agua/humedad/escarcha en la superficie exterior del congelador</b>		
Se acumula humedad en la superficie exterior del congelador.	<input type="checkbox"/> Clima húmedo. <input type="checkbox"/> La puerta no cierra correctamente. Esto provoca la condensación del aire frío del congelador y el aire caliente del exterior.	Se trata de algo habitual en los climas húmedos. La humedad del congelador se reducirá cuando descienda la humedad del ambiente. <input type="checkbox"/> Asegúrese de que la superficie es plana y que ningún recipiente o alimento sobresale de la puerta. Cierre la puerta correctamente.

# SOLUCIÓN DE ANOMALÍAS

PROBLEMAS	CAUSAS	SOLUCIONES
<b>Malos olores en el congelador</b>		
El interior del congelador está sucio	Es necesario limpiar el interior del congelador. <input type="checkbox"/> Hay alimentos con fuertes olores almacenados en el congelador.	Limpie el interior del congelador. (Consulte el capítulo Descongelación y limpieza.) <input type="checkbox"/> Compruebe si los alimentos se han deteriorado. Saque los alimentos deteriorados o con fuertes olores del congelador.
<b>Si escucha</b>		
Pitidos	La puerta del congelador está abierta. <input type="checkbox"/> La temperatura del congelador es demasiado elevada. <input type="checkbox"/> Algunas piezas podrían estar dañadas.	Cierre la puerta o silencie la alarma manualmente. <input type="checkbox"/> La alarma es normal la primera vez que se pone en marcha el congelador o al almacenar alimentos por primera vez. Puede silenciar la alarma manualmente. <input type="checkbox"/> Póngase en contacto con el personal del servicio posventa.
Sonido anómalo	El congelador no está colocado en un lugar nivelado. <input type="checkbox"/> El congelador roza con algunos objetos situados alrededor de él.	Ajuste las patas para nivelar el congelador. <input type="checkbox"/> Retire los objetos situados alrededor del congelador.
Sonido suave parecido a agua fluyendo	Es el sonido del sistema de refrigeración.	Es normal.
Calentamiento del cuerpo del congelador	El sistema de refrigeración está en funcionamiento.	Esto evita la condensación y es normal.

## Placa de identificación

La placa de identificación se encuentra en el interior del compartimento del congelador pegada en la parte inferior izquierda.

La placa de identificación proporciona información importante acerca del aparato y no se debe manipular ni retirar.

Los datos de capacidad válida y consumo de potencia medio que aparecen en la placa de identificación se ajustan a las normas pertinentes.

Para conocer los detalles de las especificaciones técnicas, consulte la placa de características y la etiqueta energética del interior del producto.

Este electrodoméstico está destinado a ser utilizado a una temperatura ambiental que se indica a continuación:

SN	+ 10°C~+32°C
N	+ 16°C~+32°C
ST	+ 16°C~+38°C
T	+ 16°C~+43°C

La garantía mínima es: 2 años para los países de la UE, 3 años para Turquía, 1 año para el Reino Unido, 1 año para Rusia, 3 años para Suecia, 2 años para Serbia, 5 años para Noruega, 1 año para Marruecos, 6 meses para Argelia, Túnez no se requiere garantía legal."

"Los termostatos, sensores de temperatura, placas de circuito impreso y fuentes de luz están disponibles durante un período mínimo de siete años después de la comercialización de la última unidad del modelo.

Manijas de puertas, bisagras de puertas, bandejas y cestas por un período mínimo de siete años y juntas de puerta por un período mínimo de 10 años, después de colocar la última unidad del modelo en el mercado"

Vielen Dank, dass Sie sich für ein Haier-Produkt entschieden haben.

Bitte lesen Sie diese Anweisungen sorgfältig durch, bevor Sie das Gefriergerät in Gebrauch nehmen. Die darin enthaltenen wichtigen Informationen helfen Ihnen, das Gerät optimal zu nutzen und zu warten, und es sicher und ordnungsgemäß zu installieren.

Bewahren Sie dieses Handbuch gut erreichbar auf, so dass Sie es zum sicheren und ordnungsgemäßen Betrieb des Geräts jederzeit zu Rate ziehen können.

Wenn Sie das Gefriergerät verkaufen, verschenken oder bei einem Umzug zurücklassen, geben Sie dieses Benutzerhandbuch unbedingt weiter, damit sich der neue Besitzer mit dem Gerät und den Sicherheitshinweisen vertraut machen kann.

Hersteller : Qingdao Haier Special Icebox Co.,Ltd.

Adresse : Haier Garten, Qianwangang Straße, Wirtschaftsentwicklungszone,  
Qingdao 266555, Shandong, V.R.China

<http://www.haier.com>

# Inhaltsverzeichnis

VORSICHT.....	3
VOR INBETRIEBNAHME.....	6
FUNKTIONEN .....	8
WARTUNG .....	14
FEHLERBEHEBUNG.....	15

# VORSICHT

## Legende

- ⓘ Achtung
- ⚠ Vorsicht
- ⊘ Verboten

## Vor der Inbetriebnahme...

ⓘ Dieses Gerät läuft mit Wechselstrom.

Schließen Sie es an ein Netz mit normaler Spannung an. Bei Spannungsschwankungen kann es vorkommen, dass sich das Gerät nicht einschaltet, der Temperaturregler oder der Kompressor beschädigt wird oder unnatürliche Geräusche zu hören sind. Installieren Sie in diesem Fall einen geeigneten Spannungskonstanthalter.

ⓘ Es ist eine Zweifach-Steckdose zu verwenden.

Achten Sie auf jeden Fall darauf, dass die Steckdose geerdet ist, und nehmen Sie keine Veränderungen am Stromkabel und am Stecker vor. Der Netzstecker des Netzkabels muss fest in der Steckdose stecken, andernfalls besteht Brandgefahr. Der Netzstecker sollte nach Aufstellung des Geräts leicht zugänglich sein, so dass er im Störfall gezogen werden kann.

⊘ Beschädigen Sie das Stromkabel nicht.

Ziehen Sie den Netzstecker nie am Kabel aus der Dose. Fassen Sie immer direkt den Netzstecker, um ihn aus der Dose zu ziehen.

Das Gehäuse des Gefrierschranks darf das Stromkabel NICHT eindrücken oder einquetschen.

⊘ Wenn das Stromkabel beschädigt ist:

Ein beschädigtes Stromkabel oder einen abgenutzten Netzstecker nicht benutzen. Das abgenutzte oder beschädigte Stromkabel ist vom angegebenen Reparaturdienstleister, vom Hersteller oder einem qualifizierten Mitarbeiter auszutauschen.

Wenn ein längeres Stromkabel erforderlich ist, darf der Querschnitt der Verlängerung max. 0,75 mm<sup>2</sup> betragen.

ⓘ **WARNUNG:** Belüftungsöffnungen der Geräteverkleidung oder des Aufbaus von Einbaumöbeln nicht verschließen.

ⓘ Wenn entflammbares Gas wie Erdgas entweicht:

Schließen Sie das Ventil, aus dem das Gas austritt. Öffnen Sie die Haustür und die Fenster. Stecken Sie den Netzstecker des Gefriergerätes oder anderer elektrischer Geräte NICHT ein und ziehen Sie ihn NICHT heraus.

ⓘ Schützen Sie sich vor Erfrierungen.

Berühren Sie die Innenseite des Gefrierfachs nicht, solange es in Betrieb ist, vor allem nicht mit feuchten Händen, da sie auf der Oberfläche festfrieren könnten.

ⓘ Nach Ablauf der Gerätelebensdauer:

Schützen Sie das Gerät vor Feuer, um Unfälle zu vermeiden. Entfernen Sie die Gerätetür (öffnen Sie die Tür und halten Sie sie fest, bevor Sie die Schrauben lösen), um zu verhindern, dass Kinder in das Gerät klettern und verunglücken. Verbringen Sie das Gerät an eine entsprechende Entsorgungsstelle.

ⓘ Öffnen Sie die Tür am Griff.

ⓘ Lagern oder benutzen Sie kein Benzin oder andere brennbare Stoffe in der Nähe des Gefrierschranks, um Brände zu vermeiden.

ⓘ Lagern Sie niemals brennbare oder explosive Stoffe, stark ätzende Säuren, Alkalis oder andere Chemikalien im Gefrierschrank.

ⓘ Lagern Sie niemals Bier oder andere Getränke in Flaschen im Gefrierschrank, da diese während des Gefriervorgangs platzen.

Keine brennbaren Gegenständen wie Aerosol-Sprays mit entflammbarem Treibgas im Kühlschrank aufbewahren.


# VORSICHT

- ⚠ Zum Beschleunigen der Abtauung keine anderen mechanischen Einrichtungen oder sonstige künstlichen Mittel als die vom Hersteller empfohlenen benutzen.
- ⚠ Verwenden Sie keine Elektrogeräte im Inneren des Gefrierfachs, außer diese sind speziell vom Hersteller für diesen Zweck vorgesehen.
- ⚠ Dieses Gerät kann von Kindern ab 8 Jahren und darüber sowie von Personen mit verringerten physischen, sensorischen oder mentalen Fähigkeiten oder Mangel an Erfahrung und Wissen benutzt werden, wenn sie beaufsichtigt oder bezüglich des sicheren Gebrauchs des Gerätes unterwiesen wurden und die daraus resultierenden Gefahren verstehen.
- ⚠ Kinder dürfen nicht mit dem Gerät spielen.
- ⚠ Wenn die Lampen beschädigt sind, müssen sie durch den Hersteller oder durch einen qualifizierten Servicetechniker ausgetauscht werden. 
- ⚠ Falls die Beleuchtung nicht mehr funktioniert, muss diese durch den vom Hersteller autorisierten Kundendienst oder ähnlich qualifizierten Fachleuten gewechselt werden, um eine mögliche Gefährdung zu vermeiden.
- ⚠ Vor Wasser schützen  
Besprühen oder spülen Sie den Gefrierschrank nicht mit Wasser, und stellen Sie das Gerät nicht an einem feuchten oder spritzwassergefährdeten Ort auf, um Schäden an der elektrischen Isolierung, Stromschläge oder Feuer zu vermeiden.
- ⚠ Beschädigen Sie den Kühlmittelkreislauf nicht  
Der Gefrierschrank darf nur mit Genehmigung auseinandergebaut und verändert werden. Heftige Bewegungen des Gefriergeräts können die Kühlrohre beschädigen. Das Gerät darf nur von Fachpersonal repariert werden.
- ⚠ Ziehen Sie den Netzstecker:  
Vor Reinigung und Wartung, bei einem Geräteausfall oder Stromausfall. Warten Sie nach dem Ziehen des Steckers min. 5 Minuten, bevor Sie das Gerät wieder einschalten, da ein häufiges Starten den Kompressor beschädigen kann.
- ⚠ Dieser Gefrierschrank ist ein Haushaltsgerät, das nur dem Lagern von Lebensmitteln dient. Lagern Sie kein Blut, Medikamente, biologische oder andere Produkte im Gerät.  
Dieses Gerät ist für die Verwendung im Haushalt oder ähnlichen Anwendungsbereichen gedacht.

## Energiespartipps

Stellen Sie das Gerät in einem kühlen, trockenen, ausreichend belüfteten Raum auf.  
Stellen Sie den Gefrierschrank mit einem seitlichen und oberen Abstand von min. 10 cm auf, um eine ausreichende Belüftung des Geräts zu gewährleisten.  
Lassen Sie warme Speisen abkühlen, bevor Sie sie in den Gefrierschrank stellen.  
Lassen Sie die Gerätetür nicht zu lange offen, wenn Sie Lebensmittel hineinstellen oder herausholen. Je kürzer die Tür geöffnet ist, desto weniger Eis bildet sich im Gefrierschrank.



- Das  Symbol auf dem Produkt oder seiner Verpackung gibt an, dass das Produkt möglicherweise nicht als Haushaltsmüll behandelt werden kann. Stattdessen muss es an einen Sammelpunkt zum Recyceln von elektrischen und elektronischen Geräten übergeben werden. Indem Sie sicherstellen, dass dieses Produkt korrekt entsorgt wird, vermeiden Sie potenzielle negative Auswirkungen auf die Umwelt und die Gesundheit des Menschen, die durch die unsachgemäße Entsorgung entstehen würden. Um weitere Informationen zum Recycling dieses Produkts zu erhalten, wenden Sie sich an die Behörden vor Ort, Ihre Abfallstelle für Hausmüll oder die Verkaufsstelle.

# VORSICHT

Reinigen Sie die Rückseite des Gefrierschranks regelmäßig. Staub erhöht den Energieverbrauch.  
Stellen Sie die Temperatur nicht höher ein als notwendig.  
Stellen Sie nichts auf die Belüftungsöffnungen.

## Einfrieren und Aufbewahren von frischen Lebensmitteln

Um einen besseren Kühlkreislauf zu gewährleisten, sollte zwischen den einzelnen Lebensmitteln etwas Platz gelassen werden.

Lagern Sie die Lebensmittel nach Kategorien, damit Sie sie besser finden.

Versiegeln Sie Lebensmittel vor dem Einfrieren, um Wasserverlust und Geruchsbildung zu vermeiden.

Lebensmittel müssen vor dem Einfrieren nicht notwendigerweise eingepackt werden. Die Außenseite der Verpackungen muss trocken sein, damit sie nicht zusammenkleben. Verpackungsmaterialien sollten geruchsfrei, luftdicht, ungiftig und nicht toxisch sein.

Zur Kennzeichnung des Gefrierlags empfehlen wir folgende Angaben:

Bezeichnung des Lebensmittels

Gewicht

Menge (Anzahl der Teile)

Einfrierdatum

Ablaufdatum

Informationen zu normalen Lagerzeiten für Lebensmittel finden Sie im Diagramm an der Innenseite des Gefrierschranks:



1. Eintopf, Eiscreme, Wurst, Brot
2. Fisch, Shrimps, Lamm, Fleisch
3. Gemüse, Obst, Geflügel, Rind

Die Lebensmittel sollten frisch, reif und von guter Qualität sein.

Frisches Obst und Gemüse sollte möglichst sofort nach der Ernte eingefroren werden, um Nährstoffe, Struktur, Textur, Farbe und Geschmack zu erhalten.

Fleisch und Wild sollte vor dem Einfrieren ausreichend lange abgehangen werden.

Heiße Lebensmittel sollten auf Zimmertemperatur abgekühlt werden, bevor sie in den Gefrierschrank gelegt werden.

⚠ Nehmen Sie nur die notwendige Menge an Lebensmitteln aus dem Gefrierschrank. Aufgetaute Lebensmittel dürfen nicht wieder eingefroren werden, wenn sie nicht gekocht sind.

Legen Sie warme Lebensmittel nicht direkt auf tiefgefrorene Lebensmittel. Tiefgefrorene Lebensmittel werden dadurch möglicherweise aufgetaut und überdauern so nicht die vorgesehene Aufbewahrungszeit. Schalten Sie für ein gutes Gefrierergebnis 2 Stunden vor dem Einfrieren frischer Lebensmittel den Schnellfroster ein (s. Kapitel Funktionen).

⚠ Legen Sie nicht zu viele frische Lebensmittel in den Gefrierschrank. Beachten Sie die Gefrierkapazität des Geräts.

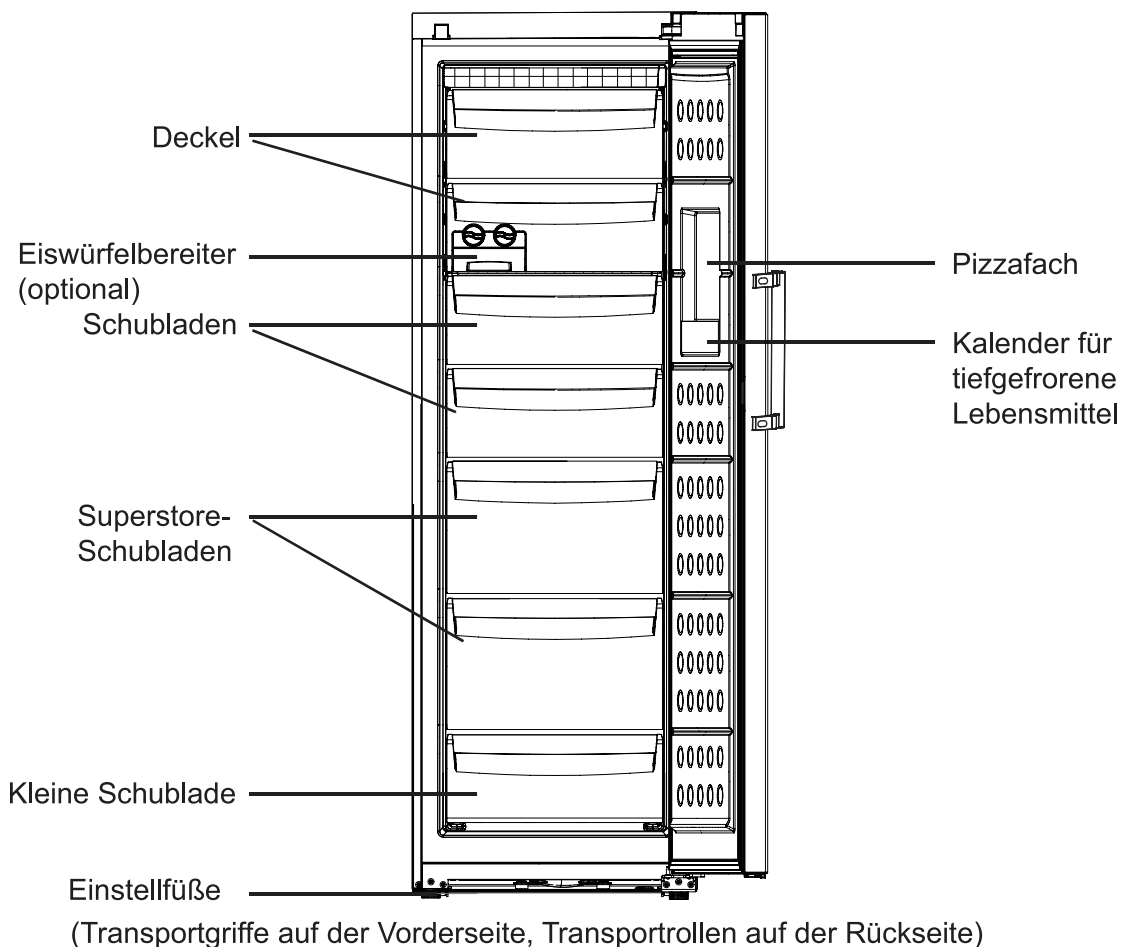
Der Gefriervorgang ist normalerweise nach max. 24 Stunden beendet. Nach dieser Zeit schaltet sich die Funktion automatisch aus.

Bei kleinen Mengen Lebensmitteln kann die Funktion nach einigen Stunden manuell ausgeschaltet werden, um Energie zu sparen.

# VOR INBETRIEBNAHME

## Beschreibung

Diese Abbildung kann sich von dem Gefriergerät, das Sie gekauft haben, leicht unterscheiden.



Die großen und kleinen Schubladen sowie die Superstore-Schubladen können herausgenommen werden, um den Nutzraum zu vergrößern.

Verschiedene Lebensmittel sollten je nach Ihren Eigenschaften in verschiedenen Bereichen platziert werden

DECKEL, KLEINES SCHUBFACH:	Butter, Käse, rohe frische Lebensmittel usw.
SCHUBFACH	Fleischprodukte, Snacks, eingelegte Lebensmittel usw.
SUPER STORE	Konserven, Tofu, Milchprodukte, Pasta, etc.

Für Geräte ohne 4-Sterne-Kühlfach: (Nr.2082161; dieses Kühlgerät ist nicht geeignet zum Gefrieren von Lebensmitteln)

Weitere Informationen zum Produkt finden Sie unter <https://eprel.ec.europa.eu/> oder scannen Sie den QR auf dem mitgelieferten Energieetikett des Geräts.

Den technischen Kundendienst können Sie über unsere Website kontaktieren:  
<https://corporate.haier-europe.com/en/>

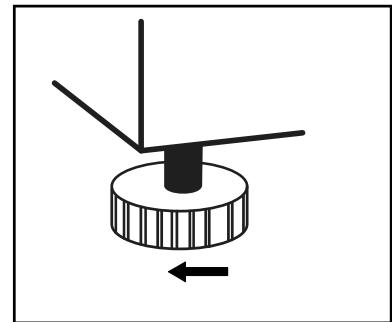
Wählen Sie unter dem Abschnitt "Website" die Marke Ihres Produkts und Ihr Land aus. Sie werden auf die jeweilige Website weitergeleitet, wo Sie die Telefonnummer und das Kontaktformular finden, um den technischen Kundendienst zu kontaktieren

Hinweis: Dieses Produkt enthält eine Lichtquelle der Energieeffizienzklasse <G>.

# VOR INBETRIEBNAHME

## Aufstellungsort

Das Gefriergerät sollte auf einem flachen, stabilen Untergrund aufgestellt werden. Falls das Gerät auf einem Sockel aufgestellt wird, sind dafür flache, stabile und feuerfeste Materialien zu verwenden. Verwenden Sie niemals die Styroporverpackung als Sockel. Wenn der Gefrierschrank etwas wackelig steht, können Sie die Einstellfüße herein- oder herausdrehen, indem Sie sie nach links oder rechts drehen und so die Höhe des Gefrierschranks verändern. Stellen Sie den Gefrierschrank nicht in direktem Sonnenlicht oder in der Nähe von Heizkörpern auf, um die Gefrierleistung nicht zu beeinträchtigen. Stellen Sie das Gerät an einem gut belüfteten Ort auf und achten Sie darauf, dass um das Gerät herum ein Mindestabstand von 10 cm besteht.



Stellen Sie das Gerät niemals an einem feuchten, spritzwassergefährdeten Ort auf. Entfernen Sie Spritzwasser und Flecken mit einem weichen Tuch, um Rost zu verhindern.

Stellen Sie das Gefriergerät nicht an einem Ort mit zu niedriger Temperatur (unter 5°C) auf. Lassen Sie den Gefrierschrank nicht draußen oder im Regen stehen.

## Inbetriebnahmepvorbereitung

Entfernen Sie sämtliche Verpackungsteile, das Styroporteil und das Klebeband, mit dem die Zubehörteile befestigt sind.

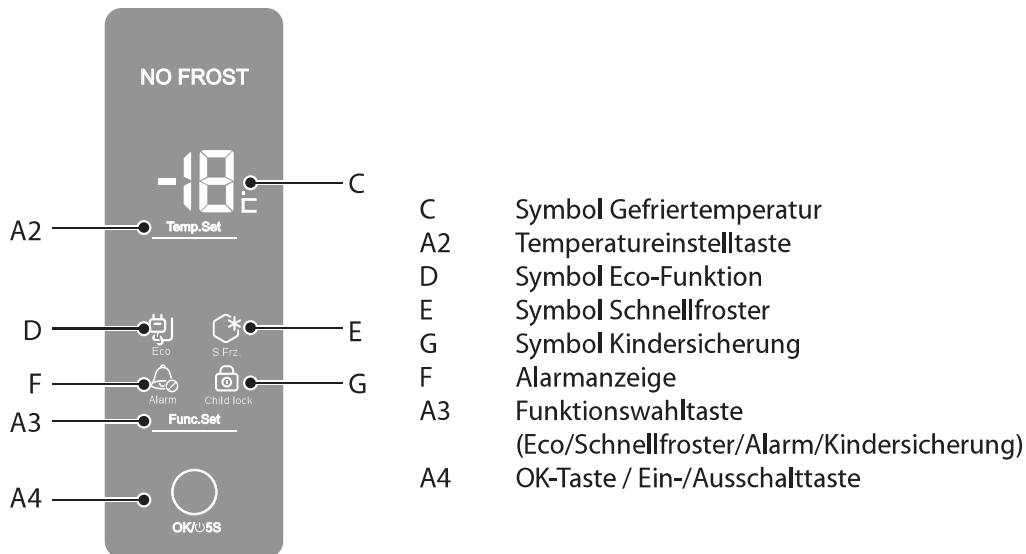
Stellen Sie den Gefrierschrank an einem geeigneten Ort auf (s. Aufstellungsort).

Reinigen Sie den Gefrierschrank vor der Inbetriebnahme von innen und außen (s. Abtauen und Reinigen)

Lassen Sie das Gerät nach der Ausrichtung und Reinigung für min. 6 Stunden stehen, bevor Sie es einschalten, um einen normalen Betrieb zu gewährleisten.

# FUNKTIONEN

## Bedien- und Kontrollleiste



## Inbetriebnahme

Der Temperaturalarm ertönt nicht, wenn das Gefriergerät zum ersten Mal eingeschaltet wird. Erst nach 3 Stunden, wenn er bis dahin keine Temperatur von unter 0°C erreicht hat.

Stecken Sie den Netzstecker in die Steckdose, um den Gefrierschrank einzuschalten. Zu diesem Zeitpunkt zeigt die Anzeige C die derzeitige Temperatur im Gefrierschrank an.

Die Alarm-LED F und ein Warnton zeigen an, dass die Temperatur im Gefrierschrank für die Lagerung von Lebensmitteln nicht ausreicht. Um den Warnton auszuschalten, wählen Sie die Funktion "Alarm" mit der Taste A3 und drücken Sie dann die Taste A4. Die Warnlampe leuchtet jedoch weiterhin auf, bis der Gefrierschrank die Temperatur von 0°C erreicht.

Wenn das Display eine Temperatur von 0°C anzeigt, erlischt der Alarm automatisch, und Sie können Lebensmittel im Gefrierschrank lagern.

Bedien- und Kontrollleiste überprüfen:

Berühren Sie alle Tasten auf dem Display und prüfen Sie, ob der Temperaturbereich und das ausgewählte Symbol aufleuchten.

Temperatur einstellen:

Drücken Sie zur Temperatureinstellung die Taste A2. Während der Temperatureinstellung wird die eingestellte Temperatur durch zwei blinkende Ziffern auf dem Display angezeigt. Durch erneuten Druck auf diese Taste können Sie den Sollwert absteigend von -14°C bis -26°C einstellen.

Wenn die OK-Taste innerhalb von 5 Sek. nicht gedrückt wird, wird der Sollwert automatisch gespeichert.

Wenn die Temperatur eingestellt ist, zeigen die beiden Ziffern auf dem Display wieder die Temperatur des Gefrierschranks an.

Werksseitig ist die Temperatur auf -18°C eingestellt. Wir empfehlen, dass Sie die Standardeinstellung verwenden. Diese muss nicht eingestellt werden.

Einschaltfunktion:

Halten Sie die Taste A4 5 Sekunden lang gedrückt, um den Gefrierschrank auszuschalten; schalten Sie ihn durch erneutes Drücken der Taste wieder ein.

**⚠** Bevor Sie das Gerät reinigen, ziehen Sie unbedingt den Netzstecker. Es reicht nicht aus, das Gerät über den Ein-/Ausschalter auszuschalten.

# FUNKTIONEN

## Gefrierfunktionen

**SCHNELLFROSTER:** Wählen Sie die Funktion "S.FRZ" mit der Taste A3. Mit der Taste A4 können Sie dann die Schnellfrosterfunktion für frische Lebensmittel einschalten.

Die Lampe E leuchtet auf und zeigt an, dass die Funktion eingeschaltet ist.

Die Lampe leuchtet solange, bis die Funktion ausgeschaltet wird.

Wenn Sie gleichzeitig große Mengen Lebensmittel einfrieren möchten, wird empfohlen, die Funktion 30 Stunden vor dem Einfrieren einzuschalten. Die Funktion schaltet sich nach 56 Stunden automatisch aus oder lässt sich manuell abschalten. Wenn diese Funktion eingeschaltet ist, erhöht sich der Stromverbrauch.

**ECO-FUNKTION:** Entsperren Sie den Bildschirm und wählen Sie mit der Taste A3 die Funktion "ECO". Mit der Taste A4 können Sie nun die Energiesparfunktion einschalten, indem Sie die Temperatur auf -18°C bis -14°C einstellen. Temperaturen von -19°C oder darunter werden in der ECO-Funktion automatisch auf -18°C eingestellt. Solange diese Funktion eingeschaltet ist, leuchtet die D-LED.

Wählen Sie die Funktion "ECO" mit der Taste A3 und schaltet Sie sie mit der Taste A4 aus.

Die ECO- und die Schnellfroster-Funktion können nicht gleichzeitig aktiviert werden.

**FUNKTION ECO 2:** Wenn die Temperatur im Bereich zwischen -23 °C und -26 °C eingestellt ist, stellt sich der Gefrierschrank nach einer Laufzeit von 56 Stunden zur Energieersparnis und zur wirksamen Aufbewahrung Ihrer Lebensmittel automatisch auf -22 °C. Normale Lebensmittel lassen sich gut bei -18 °C oder darunter aufbewahren. Eine zu tiefe Temperatureinstellung erhöht den Stromverbrauch. (Diese Funktion muss nicht manuell eingestellt werden.)

Die energiesparende Konfiguration erfordert, dass Schublade, Lebensmittelkiste und Regale im Gerät auf werksseitig frischem Zustand positioniert werden und Lebensmittel ohne die Luftaustrittsöffnung des Kanals blockiert werden.

**Kindersicherung:** Entsperren Sie den Bildschirm, wählen Sie die Funktion "Child Lock" mit der Taste A3 und schalten Sie die Funktion mit der Taste A4 ein. Entsperren: Berühren Sie eine beliebige Taste auf dem Bildschirm, das Display und die Kindersicherungstaste leuchten auf; drücken Sie die Taste A3, die Kindersicherungstaste blinkt; drücken Sie die Taste A4, um den Bildschirm zu entsperren.

Wenn der Bildschirm gesperrt ist, ist die Taste A2 nicht aktiviert. Bei einem Druck auf A3 ist nur die Funktion der Kindersicherung aktiviert, anschließend ist die Energiefunktion der Taste A4 deaktiviert.

## Alarmsignale

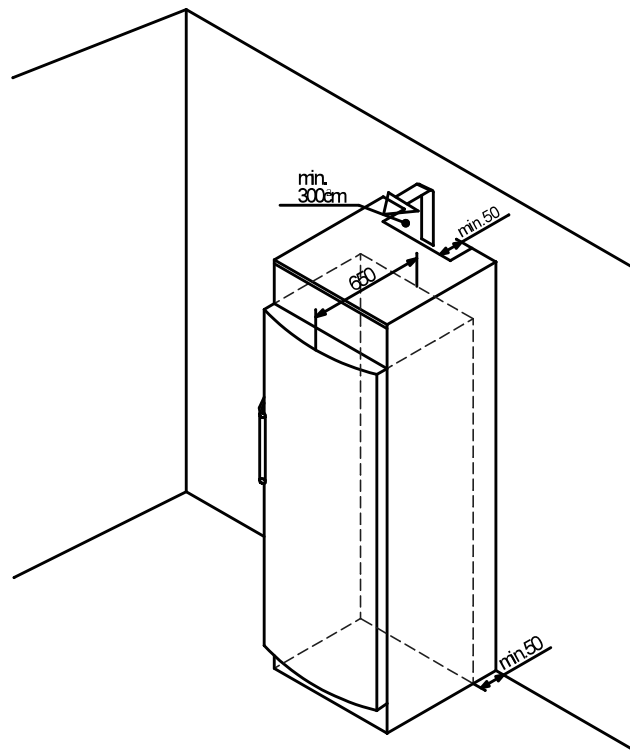
**TEMPERATURALARM:** wenn die Temperatur im Gefrierschrank 0°C übersteigt, wird dies durch einen unterbrochenen Summton und das Aufblinker der F-LED angezeigt. Auf dem Display erscheint der Code HH. Sie können den Warnton ausschalten, indem Sie den Bildschirm entsperren, mit der Taste A3 die Funktion "Alarm" wählen und die Taste A4 drücken. Doch der Alarm hält weiter an, bis die Temperatur im Gefrierschrank unter 0°C liegt.

**TÜRALARME:** Wenn die Tür für 60 Sekunden geöffnet ist, wird dies durch einen unterbrochenen Summton angezeigt. Die Alarmbedingung wird durch Schließen der Tür beendet, oder durch Auswahl der Funktion "Alarm" und Drücken der OK-Taste. In diesem Fall ertönt der Warnton jedoch nach 120 Sekunden, wenn die Tür weiterhin geöffnet bleibt.

Führen Sie zu diesem Zeitpunkt folgende Prüfschritte durch: (1) Öffnet und schließt sich die Tür ordnungsgemäß? (2) Wird die Tür häufig geöffnet oder bleibt sie zu lange offen? (3) Werden auf einmal zu viele Lebensmittel eingelagert? Bei einer der oben genannten Bedingungen kann der Alarm abgebrochen werden. Wenn die Temperatur im Gefrierschrank auf 0 °C oder darunter gesunken ist, wird die Anzeige „HH“ ausgeblendet.

# FUNKTIONEN

## Einbau in eine Küchenzeile



Deutsch

Das Gerät eignet sich zum Einbau in eine Küchenzeile. Mithilfe eines geeigneten Schranke kann das Gerät der Höhe der Küchenzeile angepasst werden. Beim Einbau in eine Standard-Küchenzeile (max. Tiefe 580 mm) kann das Gerät direkt neben der Kücheneinheit installiert werden. Die Gerätetür ragt seitlich um 34 mm und in der Mitte um 55 mm über die Front der Kücheneinbauten hinaus. So lässt sie sich hervorragend öffnen und schließen.

Für ein freistehendes Gerät: Dieses Kühlgerät ist nicht als Einbaugerät vorgesehen

Wichtig für die Belüftung:

An der Rückseite des Schranke muss sich eine min. 50 mm tiefe Belüftungsöffnung über die gesamte Breite des Schranke befinden.

Der Belüftungsraum bis zur Decke muss min. 300 cm<sup>2</sup> betragen.

Je größer der Belüftungsraum, desto mehr Energie wird beim Betrieb des Geräts gespart.

Wenn das Gerät mit dem Scharnier zur Wand installiert wird, muss der Abstand zwischen Gerät und Wand min. 55 mm betragen. Dies entspricht der Griffbreite bei geöffneter Tür.

## Gebrauchsanweisung

### 1. DECKEL ÖFFNEN

Heben Sie die oberen Deckel zum Öffnen leicht an und drehen Sie ihn von innen nach außen.

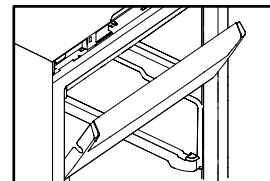
Öffnen Sie den Deckel, um die Lebensmittel in die Schublade zu legen.

Schließen Sie den Deckel, um Türkontakt zu vermeiden.

Der Deckel kann entfernt werden, um den Nutzraum zu vergrößern.

**HINWEIS:** Die beiden Ebenen im oberen Teil sind mit Deckeln ausgestattet. Es dürfen jedoch keine Lebensmittel im vorderen Teil der Glasplatte gelagert werden, da die Deckel sonst möglicherweise nicht richtig schließen.

Wenn dies der Fall ist, prüfen Sie die einzelnen Nahrungsmittel, platzieren Sie sie um, und schließen Sie die Deckel erneut. Achtung: Prüfen Sie die Deckel, bevor Sie die Tür schließen, und stellen Sie sicher, dass die Tür verschlossen ist, nachdem die Deckel richtig geschlossen wurden. So vermeiden Sie, dass Lebensmittel durch die Deckel eingedrückt werden.



### 2. SCHUBLADEN ENTFERNEN

Ziehen Sie die Schubladen vollständig heraus und heben Sie sie leicht an.

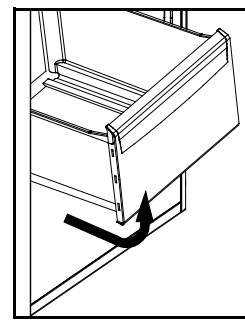
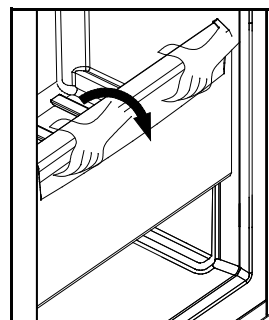
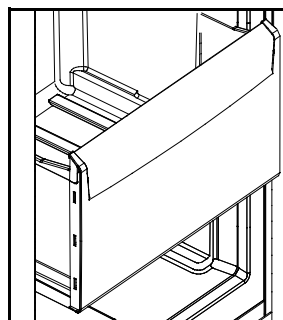
Die Schubladen (außer der unteren Schublade) können entfernt werden, um den Nutzraum zu vergrößern.

Für einige Modelle sind Schienen erhältlich.

### 3. SUPERSTORE-SCHUBLADE

Ziehen Sie die Superstore-Schublade vollständig heraus. Heben Sie sie an und ziehen Sie sie aus den Teleskop-schienen.

**HINWEIS:** Einige Modelle der großen Schublade sind mit einer Schiebefunktion ausgestattet. So entfernen Sie die Schublade korrekt: Entfernen Sie die Lebensmittel, und schieben Sie die Schublade bis zum Ende. Heben Sie nun den hinteren Teil an, und ziehen Sie die Schublade heraus. Heben Sie die Schublade nicht an, bevor sie blockiert. Erst dann kann sie ganz leicht entfernt werden. Ist dies nicht der Fall, schieben Sie sie wieder bis zum Ende, und wiederholen Sie diese Schritte.



### 4. EISWÜRFELBEREITER

Einige Modelle verfügen über ein Eissystem einschl. Eiswürfelfächern mit herausnehmbarem Eiswürfelbereiter und -behälter.

### 5. Nehmen Sie die Eisfächer heraus

Reinigen Sie sie und befüllen Sie sie mit Wasser.

Schieben Sie die Eisfächer wieder auf die Halterungen.

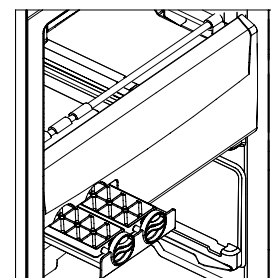
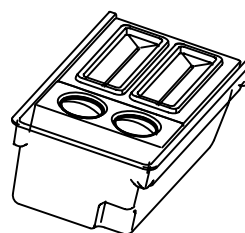
Lassen Sie das Wasser für einige Stunden gefrieren.

Drehen Sie dann den Knopf, um die Eiswürfel zu entnehmen.

Die Eiswürfel fallen direkt in den Eiswürfelbehälter.

A

B



6. In einem Fach in der Tür können eine verpackte, max. 30 mm dicke PIZZA oder andere dünne, verpackte Lebensmittel aufbewahrt werden.

Für einige Modelle sind Kältespeicher (Eutetika) verfügbar. Sie können auch gekaufte Kältespeicher in den Gefrierschrank geben. Sie dürfen max. 30 mm dick sein.

**I** Änderung des Türanschlags:  
montieren Sie die Tür von der rechten Seite ab  
(①&②).  
(Graphische Darstellung in der Anweisung Broschüre  
Letztseite.)

## ① (Diagramm ①)

### 1、

#### 1.1

Verwenden Sie einen Schlitzschraubendreher, um die Schutzabdeckung auf der rechten Seite abzubauen. Trennen Sie anschließend den Anschluss, der mit der Oberseite des Scharniers verbunden ist.

#### 1.2

Verwenden Sie einen Kreuzschlitzschraubendreher, um die Scharnierschrauben zu lösen. Entfernen Sie das obere Scharnier.

#### 1.3

Bewegen Sie das Türelement nach oben, um es zu entfernen.

### 2、

#### 2.1

Verwenden Sie einen Schlitzschraubendreher, um die kleine Abdeckung auf der linken Gehäusesseite zu zerlegen. Installieren Sie dies in der Vertiefung auf der rechten Gehäusesseite.

#### 2.2

Entfernen Sie die Abdeckplatte an der Gehäusevorderseite und ziehen Sie anschließend den Signaldraht zur linken Gehäusesseite.

#### 2.3

Setzen Sie den Signaldraht in die Nut der vorderen Abdeckplatte und befestigen Sie sie mit der vorderen Abdeckplatte.

### 3、

#### 3.1

Demontieren Sie die Scharnierwellenhülle auf der rechten Seite und die Abdeckung auf der linken Seite der Tür.

#### 3.2

Setzen Sie den Signaldraht auf der rechten Seite der Tür in die Nut der Zierleiste ein und schließen Sie die Abdeckung.

#### 3.3

Ziehen Sie den Signaldraht aus der Nut in der linken Seite der Tür und setzen Sie ihn in die Scharnierwellenhülle ein. Setzen Sie ihn danach in die Zierleiste ein.



Ziehen Sie den Stecker und leeren Sie das Gerät, bevor Sie mit den Arbeiten beginnen.

### 4、

#### 4.1

Entfernen Sie das Querstück des Metallzapfens auf der rechten Seite des Türelements und installieren Sie es anschließend auf der entsprechenden Position auf der linken Seite des Türelements.

#### 4.2

Verwenden Sie einen Kreuzschlitzschraubendreher, um das untere Scharnier zu entfernen.

### 5、

A. Bauen Sie die Scharnierwelle mit Schlüssel oder Zange aus und befestigen Sie sie im linken Gewindeloch.

B. Lösen Sie die Schrauben links am Schrankgehäuse mit einem Kreuzschlitz-Schraubenzieher und schrauben Sie die Schrauben an der rechten Schrankseite ein. Montieren Sie das untere Scharnier links.

### 6、

#### 6.1

Installieren Sie das Türelement auf der Welle der Einsatzbaugruppe.

### 7、

#### 7.1

Nehmen Sie das zusätzliche Scharnier und die Scharnierabdeckung aus dem Gefrierschrankeinschub und legen Sie das ausgebaute Scharnier und die ausgebaute Scharnierabdeckung in einen Beutel und legen Sie diesen auf die Seite.

#### 7.2

Setzen Sie das Scharnier in die Einbuchtung auf der linken Seite des Türelements ein. Verwenden Sie anschließend die Schrauben, um das Scharnier zu befestigen und ernen Sie diese, indem Sie unter den Schrauben Beilagscheiben verwenden.

#### 7.3

Verbinden Sie die Anschlüsse am Schrank mit den Anschlüssen am Türelement und befestigen Sie anschließend die Schutzabdeckung.

## ②(Diagramm ②)

1

- A. Öffnen Sie die Tür
- B. Nach unten drücken, um die beiden kleinen Abdeckungen links und rechts zu entfernen
- C. Vordere Abdeckung nach außen drücken

2

- A. Entfernen Sie die kleine Abdeckung rechts an der Tür mit einem Schraubenzieher
- B. Mit einem Schraubenzieher nach innen drücken, um die Zierleisten zu entfernen

3

- A. Lösen Sie die Scharnierschrauben mit einem Kreuzschlitz-Schraubenzieher Entfernen Sie das obere Scharnier
- B. Trennen Sie die Anschlussklemme

4

- A. Bewegen Sie die Tür nach oben, um sie zu entfernen
- B. Lösen Sie das untere Scharnier mit einem Kreuzschlitz-Schraubenzieher

5

- A. Bauen Sie die Scharnierwelle mit Schlüssel oder Zange aus und befestigen Sie sie im linken Gewindeloch.
- B. Lösen Sie die Schrauben links am Schrankgehäuse mit einem Kreuzschlitz-Schraubenzieher und schrauben Sie die Schrauben an der rechten Schrankseite ein. Montieren Sie das untere Scharnier links.

6

- A. Entfernen Sie die Verschlusschraube rechts an der Tür mit einem Flachkopf-Schraubenzieher.
- B. Entfernen Sie die obere Scharnierwelle und montieren Sie sie anders herum am Scharnier. Befestigen Sie die Verschlusschraube an der linken Seite am Schraubloch.

7

- A. Verbinden Sie die Signalleitung in der Zierleiste der Tür mit dem Anschluss im Scharnier. Legen Sie den Kabelbaum in die Abdeckung der Zierleiste.
- B. Befestigen Sie die Zierleiste und klemmen Sie die kleine Abdeckung an der rechten Seite ein.
- C. Schließen Sie die obere vordere Abdeckung des Schanks. Schieben Sie die kleinen Abdeckungen links und rechts in die Kerben.

## II

Anleitung zum Griffaustausch je nach Konfiguration (unterschiedliche Abbildungen).

Hilfsgriff: (Diagramm.1&2)

- A. Drücken Sie die obere Griffabdeckung mit einem Flachkopf-Schraubenzieher heraus. Entfernen Sie die beiden Schrauben und dann den Griff.
- B. Entfernen Sie mit einem Flachkopf-Schraubenzieher die Verschlusschraube rechts an der Tür. Befestigen Sie die Verschlusschraube an der linken Seite am Schraubloch. Montieren Sie den Griff an der rechten Seite und befestigen Sie die Abdeckung.

Normaler Griff: (Diagramm.3)

- A. Die obere Griffabdeckung mit einem Flachkopf-Schraubenzieher herausdrücken. Die beiden Schrauben und dann den Griff entfernen.
- B. Entfernen Sie die Verschlusschraube rechts an der Tür mit einem Flachkopf-Schraubenzieher. Befestigen Sie die Verschlusschraube an der linken Seite am Schraubloch.
- C. Den Griff an der rechten Seite montieren und die Abdeckung wieder anbringen.

# WARTUNG

## Abtauen und Reinigen

**ABTAUEN DES GEFRIERSCHRANKS:** Der Gefrierschrank taut automatisch ab. Es ist kein manuelles Abtauen erforderlich.

**REINIGUNG:** Das Gerät sollte regelmäßig gereinigt werden, um schlechte Gerüche zu vermeiden.

Ziehen Sie den Netzstecker, bevor Sie den Gefrierschrank reinigen.

Reinigen Sie den Gefrierschrank mit einem weichen Tuch oder Schwamm und warmem Wasser (evtl. mit einem milden Reinigungsmittel).

Entfernen Sie Wassertropfen auf der Oberfläche des Geräts mit einem trockenen Tuch.

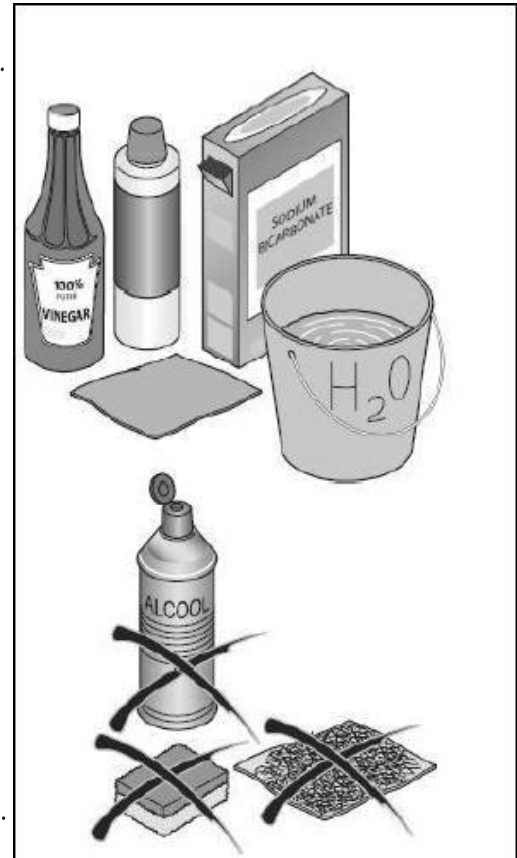
Halten Sie die Türdichtungen immer sauber.

**⚠** Der Gefrierschrank ist sehr schwer. Wenn Sie ihn zu Reinigungs- oder Reparaturzwecken bewegen müssen, achten Sie darauf, den Fußboden nicht zu beschädigen. Bewegen Sie den Gefrierschrank immer in aufrechter Position. Bewegen Sie das Gerät nicht durch Schaukelbewegungen. Diese können den Fußboden beschädigen.

**⚠** Besprühen oder spülen Sie den Gefrierschrank nicht mit Wasser, um die elektrische Isolierung nicht zu beeinträchtigen.

**⚠** Reinigen Sie das Gerät nicht mit harten Bürsten, Drahtbürsten, Reinigungspulver, Benzin, Amylacetat, Azeton oder ähnlichen organischen Lösungen, warmem Wasser, Säure oder Alkali-Lösungen.

**⚠** Reinigen Sie das Display und andere Elektrovorrichtungen nur mit einem trockenen Tuch.



## Außerbetriebnahme

Wenn der Gefrierschrank für längere Zeit nicht benutzt wird, ziehen Sie den Netzstecker und reinigen Sie das Gerät wie bereits beschrieben.

Lassen Sie die Gefrierschrantür geöffnet, damit Lebensmittel, die sich noch im Gerät befinden, keine schlechten Gerüche bilden.

**⚠** Um die Lebensdauer des Geräts zu gewährleisten, wird empfohlen, das Gerät nur auszuschalten, wenn dies erforderlich ist.

## Transport des Gefrierschranks

Ziehen Sie den Netzstecker und schalten Sie das Gerät aus.

Entnehmen Sie alle Lebensmittel.

Sichern Sie die Schubladen und andere bewegliche Teile im Gefrierschrank mit Klebeband.

Schließen Sie die Tür und sichern Sie sie mit Klebeband, damit sie sich beim Transport nicht öffnet.

Kippen Sie den Gefrierschrank um max. 45° (vertikaler Winkel), um zu vermeiden, dass das Kühlsystem während des Transports beschädigt wird.

Umwickeln Sie die Füße des Gefrierschranks, um den Fußboden nicht zu beschädigen. Bewegen Sie den Gefrierschrank niemals mit Gewalt. Bewegen Sie ihn nicht am Griff, dem Deckel oder den Rohren, um Schäden am Gerät und Verletzungen zu vermeiden.

**⚠** Legen Sie den Gefrierschrank niemals horizontal hin.

# FEHLERBEHEBUNG

Lesen Sie folgende Tabelle zur Fehlerbehebung durch, bevor Sie den Service rufen. Dies kann Zeit und Geld sparen. Die Tabelle beschreibt übliche Probleme, mit Ausnahme jener, die durch Verarbeitungs- oder Materialfehler verursacht werden.

Deutsch

PROBLEM	URSACHE	LÖSUNG
<b>Gefrierbetrieb</b>		
Der Kompressor arbeitet nicht	Gerät befindet sich im Abtauzyklus. Gefrierschrank ist nicht an Netzstrom angeschlossen. Gerät ist AUSGESCHALTET.	<input type="checkbox"/> Dies ist normal für einen Gefrierschrank mit Abtauautomatik. <input type="checkbox"/> Prüfen Sie, ob der Netzstecker, die Steckdose oder eine Sicherung defekt ist. Schalten Sie den Strom ein, wenn sie in Ordnung sind. <input type="checkbox"/> Schalten Sie den Gefrierschrank über den Ein-/Aus-Schalter wieder ein.
Der Gefrierschrank läuft häufig oder zu lange	Die Innen- oder Außentemperatur ist zu hoch. <input type="checkbox"/> Der Gefrierschrank war für einige Zeit ausgeschaltet. <input type="checkbox"/> Die Tür wurde zu häufig oder zu lange geöffnet. <input type="checkbox"/> Die Gefrierschranktür ist nicht richtig geschlossen. <input type="checkbox"/> Die Temperatur ist zu niedrig eingestellt. <input type="checkbox"/> Die Türdichtung ist verschmutzt, abgenutzt, gerissen oder sitzt nicht richtig. <input type="checkbox"/> Der Kondensator ist verschmutzt.	<input type="checkbox"/> In diesem Fall laufen Gefrierschränke für gewöhnlich länger. <input type="checkbox"/> Normalerweise benötigt ein Gefrierschrank 8 bis 12 Stunden, um vollständig abzukühlen. <input type="checkbox"/> Warme Luft gelangt in den Gefrierschrank, wodurch dieser wiederholt startet. Öffnen Sie die Tür nicht zu häufig. <input type="checkbox"/> Achten Sie darauf, dass der Gefrierschrank auf einer ebenen Fläche steht und keine Lebensmittel oder Behälter die Tür versperren. <input type="checkbox"/> Stellen Sie eine höhere Temperatur ein, bis eine zufriedenstellende Gefriertemperatur erreicht ist. Die Gefriertemperatur ist erst nach 24 Stunden erreicht. <input type="checkbox"/> Reinigen oder wechseln Sie die Türdichtung. Bei einer undichten Stelle in der Türdichtung muss der Gefrierschrank möglicherweise länger laufen, um die gewünschte Temperatur zu halten. <input type="checkbox"/> Reinigen Sie den Kondensator.
<b>Temperatur zu hoch</b>		
Temperatur im Gerät zu hoch	Die Tür wurde zu häufig oder zu lange geöffnet. <input type="checkbox"/> Die Temperatur ist zu hoch eingestellt. <input type="checkbox"/> Die Tür schließt nicht dicht. <input type="checkbox"/> Der Kondensator ist verschmutzt.	Bei jedem Öffnen der Tür gelangt warme Luft in den Gefrierschrank. Öffnen Sie die Tür so wenig wie möglich. <input type="checkbox"/> Stellen Sie die Temperatur zurück. <input type="checkbox"/> Achten Sie darauf, dass der Gefrierschrank auf einer ebenen Fläche steht und keine Lebensmittel oder Behälter die Tür versperren. <input type="checkbox"/> Reinigen Sie den Kondensator.
<b>Wasser/Feuchtigkeit/Frost an der Außenfläche des Gefrierschranks</b>		
An der Außenseite des Gefrierschranks sammelt sich Feuchtigkeit	<input type="checkbox"/> Feuchtes Klima. <input type="checkbox"/> Die Tür schließt nicht dicht. Dadurch kondensieren die kalte Luft im Gefrierschrank und die warme Außenluft.	In feuchtem Klima ist dies normal. Die Feuchtigkeit nimmt ab, wenn die Luftfeuchte sinkt. <input type="checkbox"/> Achten Sie darauf, dass der Boden eben ist und keine Lebensmittel oder Behälter aus der Tür ragen. Schließen Sie die Tür fest.

# FEHLERBEHEBUNG

PROBLEM	URSACHE	LÖSUNG
<b>Schlechte Gerüche im Gefrierschrank</b>		
Der Innenbereich des Gefrierschranks ist verschmutzt.	Der Innenbereich des Gefrierschranks muss gereinigt werden. □ Es werden stark riechende Lebensmittel im Gefrierschrank aufbewahrt.	Reinigen Sie den Innenraum des Gefrierschranks. (S. Abtauen und Reinigen) □ Prüfen Sie, ob die Lebensmittel verdorben sind. Nehmen Sie verdorbene oder stark riechende Lebensmittel aus dem Gefrierschrank.
<b>Wenn Sie</b>		
Pieptöne hören,	ist die Gefrierschranktür geöffnet. □ Die Temperatur im Gefrierschrank ist zu hoch. □ Möglicherweise sind einige Teile defekt.	Schließen Sie die Tür oder schalten Sie den Alarm manuell ab. □ Der Alarm wird normalerweise bei der Erstinbetriebnahme oder dem erstmaligen Einfrieren von Lebensmitteln ausgelöst. Sie können ihn manuell abschalten. □ Wenden Sie sich an den Kundendienst.
Ungewöhnliche Geräusche	Der Gefrierschrank steht nicht gerade. □ Der Gefrierschrank berührt umstehende Gegenstände.	Richten Sie den Gefrierschrank mithilfe der Einstellfüße aus. □ Entfernen Sie umstehende Gegenstände.
Leises Geräusch, ähnlich wie fließendes Wasser	Das ist das Geräusch des Kühlsystems.	Normal.
Erwärmung des Schranks	Das Kühlsystem arbeitet.	Dies verhindert Kondensation und ist normal.

## Typenschild

Das Typenschild befindet sich unten links im Gefrierfach.

Das Typenschild enthält wichtige Informationen zum Gerät und darf nicht manipuliert oder entfernt werden.

Fassungsvermögen und Stromverbrauch laut Typenschild unterliegen den geltenden Standards.

Details zur Spezifikation finden Sie auf dem Typenschild und dem Energielabel im Produkt. Dieses Gerät ist für die Verwendung bei folgender Umgebungstemperatur ausgelegt:

SN	+ 10°C~+32°C
N	+ 16°C~+32°C
ST	+ 16°C~+38°C
T	+ 16°C~+43°C

Die Mindestgarantie ist: 2 Jahre für EU-Länder, 3 Jahre für die Türkei, 1 Jahr für das Vereinigte Königreich, 1 Jahr für Russland, 3 Jahre für Schweden, 2 Jahre für Serbien, 5 Jahre für Norwegen, 1 Jahr für Marokko, 6 Monate für Algerien, Tunesien keine gesetzliche Garantie erforderlich."

"Thermostate, Temperatursensoren, Leiterplatten und Lichtquellen sind für einen Mindestzeitraum von sieben Jahren nach dem Inverkehrbringen der letzten Einheit des Modells verfügbar. Türgriffe, Türscharniere, Schalen und Körbe für einen Mindestzeitraum von sieben Jahren und Türdichtungen für einen Mindestzeitraum von 10 Jahren, nachdem die letzte Einheit des Modells in Verkehr gebracht wurde".."

Merci d'avoir choisi un produit Haier

Lisez attentivement ces instructions avant de commencer à utiliser votre appareil. Elles contiennent des informations importantes qui vous aideront à tirer le meilleur parti de votre appareil et à l'installer, l'utiliser et l'entretenir correctement et en toute sécurité.

Conservez ce mode d'emploi à portée de main de façon à pouvoir le consulter chaque fois que nécessaire.

Si vous vendez l'appareil, le donnez ou le laissez dans votre ancien domicile en cas de déménagement, n'oubliez pas de remettre ce manuel à son nouveau propriétaire afin qu'il puisse se familiariser avec le fonctionnement de l'appareil et les avertissements de sécurité.

# INDEX

AVERTISSEMENTS .....	3
AVANT UTILISATION .....	6
FONCTIONS .....	8
MAINTENANCE.....	14
RESOLUTION DES PROBLEMES.....	15

# AVERTISSEMENTS

## Légende

- ⚠ Attention
- ⚠ Avertissement
- ⊘ Interdiction

## Mise au rebut

La présence de ce symbole sur les produits, accessoires ou matériaux concernés par les présentes instructions indique qu'à la fin de sa durée de vie utile, le produit ou ses accessoires électroniques (ex. chargeur, kit piéton, câble USB) ne doivent pas être éliminés avec les déchets domestiques. L'élimination non maîtrisée des déchets pouvant porter préjudice à l'environnement ou à la santé humaine, veuillez séparer ces articles des autres types de déchets et les recycler. Cette précaution contribuera à la réutilisation durable des ressources matérielles.

Les particuliers sont invités à contacter le distributeur leur ayant vendu le produit ou à se renseigner auprès de leur mairie pour connaître les décharges dans lesquelles le produit usagé doit être mis au rebut dans le cadre de sa réutilisation et de la protection de l'environnement. Les entreprises sont invitées à contacter leurs fournisseurs et à consulter les conditions de leur contrat de vente. Ce produit et ses accessoires électroniques ne doivent pas être mélangés avec les autres déchets industriels.



## Avant utilisation

- ⚠ Cet appareil est alimenté par du courant alternatif.

Connectez l'appareil à une tension normale. Toute fluctuation de la tension peut empêcher le démarrage de l'appareil, endommager le régulateur de température ou le compresseur, voire entraîner des bruits anormaux. Dans ce cas, ajoutez le stabilisateur nécessaire.

- ⚠ Il convient d'utiliser des prises appropriées.

Assurez-vous que la prise est raccordée au fil de terre et ne procédez à aucune modification du cordon d'alimentation ou de la fiche. La fiche du cordon d'alimentation doit être solidement fixée à la prise afin d'éviter tout risque d'incendie. Lors de l'installation de l'appareil, il convient de veiller à ce que la fiche soit facilement accessible afin de pouvoir la retirer rapidement en cas d'accident.

- ⊘ N'endommagez pas le cordon d'alimentation.

Ne tirez pas sur le cordon d'alimentation pour débrancher la fiche. Tenez fermement la fiche pour la débrancher directement de la prise.

Le corps de l'appareil ne doit PAS coincer le cordon d'alimentation ni l'écraser.

- ⊘ En cas d'endommagement du cordon d'alimentation :

Si le cordon d'alimentation est endommagé ou si la fiche est usée, n'utilisez pas l'appareil. Le cordon d'alimentation usé ou endommagé doit être remplacé auprès du fournisseur de maintenance spécifique, par le fabricant lui-même ou par une personne qualifiée.

S'il est nécessaire d'utiliser un cordon d'alimentation plus long, la section que vous ajoutez ne doit pas être inférieure à 0,75 mm<sup>2</sup>.

- ⚠ Les ouvertures de ventilation prévues dans le corps de l'appareil ou dans la structure encastrable doivent être libres de toute obstruction.

- ⚠ En cas de fuite de gaz inflammable, tel que du gaz naturel :

Fermez le robinet de gaz qui fuit. Ouvrez la porte et la fenêtre de la maison. NE débranchez/branchez PAS le cordon d'alimentation de l'appareil ou d'autres appareils électriques.

- ⚠ Attention aux engelures

Ne touchez pas la surface intérieure du compartiment de stockage du congélateur lorsque celui-ci fonctionne, en particulier avec les mains mouillées, car celles-ci pourraient adhérer à la surface et geler.

# AVERTISSEMENTS

## ⚠ Lorsque l'appareil tombe en désuétude :

Maintenez l'appareil à l'écart du feu pour éviter les accidents. Retirez la porte de l'appareil (ouvrez-la et maintenez-la avant de retirer les vis) pour éviter que les enfants n'entrent dans l'appareil et ne causent un accident. Expédiez l'appareil à l'endroit approprié pour sa mise au rebut.

## ⚠ Ouvrez la porte par la poignée.

⚠ N'entreposez pas et n'utilisez pas d'essence ni d'autres matériaux inflammables à proximité du congélateur afin d'éviter un incendie.

⚠ N'entreposez jamais de produits inflammables, d'explosifs ni d'acides, d'alcalins ou d'autres produits chimiques hautement corrosifs dans le congélateur.

⚠ N'entreposez jamais de bière ni d'autres boissons en bouteille dans le congélateur, car celles-ci éclateraient lors de la congélation.

⚠ N'utilisez pas d'appareils électriques à l'intérieur des compartiments de stockage des aliments de l'appareil, sauf s'ils correspondent au type recommandé par le fabricant.

⚠ Portez une attention particulière aux enfants

⚠ Si les lampes sont endommagées, elles doivent être remplacées par le fabricant ou par une personne qualifiée chez le prestataire de service d'entretien agréé.



⚠ Tenez l'appareil à l'écart de l'eau

Ne vaporisez pas d'eau sur le congélateur et ne le rincez pas non plus. Ne placez pas le congélateur dans un endroit humide ou propice aux éclaboussures car cela pourrait avoir un impact sur la performance de l'isolation électrique de l'appareil, entraîner un choc électrique, voire déclencher un incendie.

⚠ N'endommagez pas le circuit réfrigérant

Tout démontage ou toute altération du congélateur doivent faire l'objet d'une autorisation. Tout mouvement brusque du congélateur risque d'endommager les tuyaux de refroidissement. Toute réparation de l'appareil doit être effectuée par un personnel qualifié.

⚠ Débranchement de la fiche d'alimentation :

Il convient de débrancher la fiche d'alimentation du congélateur avant le nettoyage et l'entretien, ou en cas de défaillance ou de mise hors tension de l'appareil. Une fois l'appareil débranché, attendez au moins 5 minutes avant de le redémarrer, car des démarrages fréquents pourraient endommager le compresseur.

⚠ Ce congélateur est un appareil ménager destiné uniquement à la conservation d'aliments. Ne stockez pas de sang, de médicaments, de produits biologiques ni d'autres produits dans l'appareil.

⚠ Les orifices de ventilation prévus dans le corps de l'appareil ou dans la structure encastrable doivent être libres de toute obstruction.

Cet appareil n'est pas destiné à être utilisé par des enfants, par des personnes aux capacités physiques, sensorielles ou mentales réduites, ni par des personnes dénuées de l'expérience ou des connaissances nécessaires, sauf si elles ont pu bénéficier, par l'intermédiaire d'une personne responsable de leur sécurité, d'une supervision ou d'instructions préalables concernant l'utilisation de l'appareil.

Cet appareil est prévu pour être utilisé dans des environnements domestiques ou dans des contextes similaires tels que

- les espaces « cuisine » réservés au personnel dans les magasins, les bureaux et autres environnements professionnels ;
- les fermes-auberges, les hôtels, les motels et d'autres environnements de type résidentiel quand l'appareil est mis à disposition des clients ;
- les chambres d'hôtes et tout environnement semblable ;
- la restauration et la vente en gros.

Conseils pour économiser l'énergie

Installez l'appareil dans une pièce fraîche, sèche et bien aérée.

Lors de l'installation de l'appareil, veillez à laisser un espace d'au moins 10 cm au-dessus et autour du congélateur pour assurer une ventilation adéquate.

Laissez refroidir les aliments chauds avant de les entreposer dans l'appareil.

Ne laissez pas la porte de l'appareil ouverte trop longtemps lors du dépôt ou du retrait de nourriture. Une ouverture prolongée de la porte favoriserait la formation de glace dans le congélateur.

Nettoyez régulièrement la partie arrière du congélateur. La poussière augmente la consommation d'énergie.

Ne réglez pas la température plus bas que nécessaire.

Ne couvrez pas les ouvertures d'aération.

# AVERTISSEMENTS

## Congélation et conservation des aliments frais

Il convient d'espacer les aliments lors de leur stockage de façon à optimiser le cycle de réfrigération. Il est conseillé de stocker les aliments en fonction de leur nature, afin de les retrouver plus facilement. Les aliments doivent être emballés dans des récipients étanches avant d'être stockés dans le congélateur afin d'éviter les fuites d'eau et les mauvaises odeurs.

Il n'est pas obligatoire d'emballer la nourriture avant de la placer dans le congélateur. L'extérieur de l'emballage doit être sec pour éviter que les sacs n'adhèrent les uns aux autres. Les matériaux d'emballage ne doivent pas dégager d'odeur ; ils doivent être hermétiques et non toxiques.

Nous vous suggérons de marquer les portions congelées de la façon suivante :

- Aliment
- Poids de la portion
- Quantité (nombre de pièces)
- Date de congélation
- Date limite de stockage

Reportez-vous au diagramme situé à l'intérieur du congélateur pour la limite de stockage habituel de la nourriture :



1. Ragoût, crème glacée, saucisses, pain
2. Poisson, crevettes, agneau, viande
3. Légumes, fruits, volaille, bœuf

Les aliments doivent être frais, mûrs et de bonne qualité.

Si possible, les fruits et les légumes frais doivent être congelés immédiatement après la récolte afin de préserver au maximum leurs nutriments, leur structure, leur texture, leur couleur et leur goût.

Dans le cas de la viande et du gibier, il est recommandé de les pendre pendant une période suffisamment longue avant leur congélation.

Laissez refroidir les aliments chauds avant de les placer dans le congélateur.

⚠ Ne retirez du congélateur que la quantité nécessaire de nourriture. Un aliment décongelé ne peut être recongelé que s'il est préalablement cuit, sans quoi il risque d'être moins comestible.

Evitez de placer des aliments encore frais au contact de produits surgelés. Les produits surgelés pourraient en effet se décongeler ce qui réduirait leur durée de conservation.

Pour optimiser la congélation, activez la fonction de congélation rapide (voir chapitre Fonctions) 2 heures avant de congeler des aliments frais.

⚠ Ne placez pas une quantité excessive d'aliments frais dans le congélateur. Il est préférable de se référer à la capacité de congélation du congélateur.

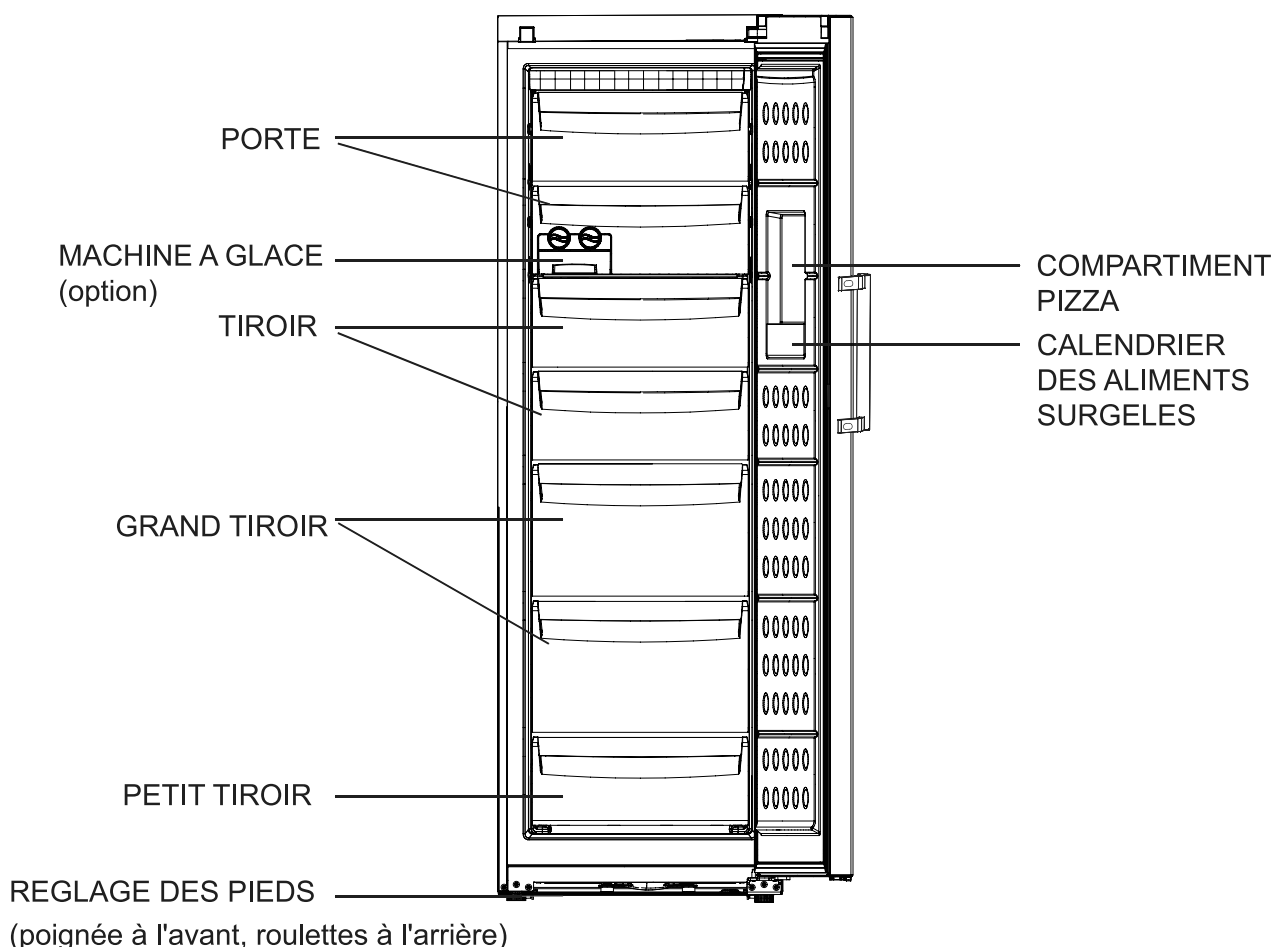
Habituellement, 24 heures suffisent pour congeler intégralement la nourriture. Passé ce délai, la fonction se désactive automatiquement.

En cas de congélation d'une petite quantité de nourriture, il est possible de désactiver la fonction manuellement après quelques heures afin d'éviter une consommation d'énergie inutile.

# AVANT UTILISATION

## Description

Ce schéma peut être légèrement différent de la disposition du congélateur que vous venez d'acheter.



Il est possible de retirer les grands tiroirs, les bacs et le petit tiroir pour augmenter l'espace de stockage du congélateur.

Les différents aliments doivent être placés dans différentes zones en fonction de leurs propriétés

COUVERCLE, PETIT TIROIR	Beurre, fromage, aliments frais crus, etc.
TIROIR	Produits carnés, snacks, condiments, etc.
SUPER STORE	Conserves, tofu, produits laitiers, pâtes, etc.

Pour les appareils sans compartiment 4 étoiles : ce type d'appareil réfrigérant ne convient pas à la congélation des aliments

Pour plus d'informations sur le produit, veuillez consulter <https://eprel.ec.europa.eu/> ou scanner le QR code sur l'étiquette énergétique fournie avec l'appareil.

Pour contacter l'assistance technique, visitez notre site Web : <https://corporate.haier-europe.com/en/>

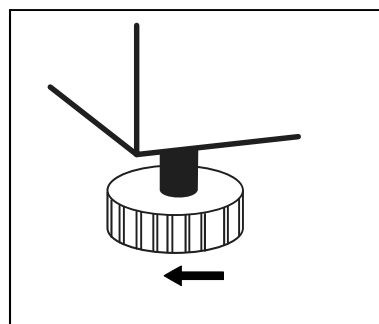
Dans la section « site Web », choisissez la marque de votre produit et votre pays. Vous serez redirigé vers le site web spécifique où vous pourrez trouver le numéro de téléphone et le formulaire pour contacter l'assistance technique

Remarque : ce produit contient une source de lumière appartenant à la classe d'efficacité énergétique <G>.

# AVANT UTILISATION

## Environnement de l'appareil

Le congélateur doit être placé sur une surface plane et solide. Si l'appareil est placé sur un piédestal, celui-ci doit être fabriqué avec des matériaux plats, solides et résistants au feu. N'utilisez jamais la mousse de l'emballage comme piédestal. Si le congélateur est légèrement instable, ajustez la hauteur de ses pieds réglables en les tournant dans le sens horaire ou antihoraire pour adapter la hauteur de l'appareil. Pour garantir la bonne performance du congélateur, ne l'exposez pas à la lumière directe du soleil et ne le placez pas non plus dans un endroit soumis à des températures élevées. Installez l'appareil dans un endroit bien ventilé avec un espace d'au moins 10 cm au-dessus et autour du congélateur.



Ne placez jamais le congélateur dans un environnement humide ni dans un endroit exposé aux éclaboussures. Nettoyez et séchez rapidement les éclaboussures et les taches avec un chiffon doux pour empêcher la rouille.

Ne placez pas le congélateur dans un endroit soumis à une température trop basse (inférieure à 5 °C). Ne placez pas le congélateur à l'extérieur ni sous la pluie.

## Préparation avant utilisation

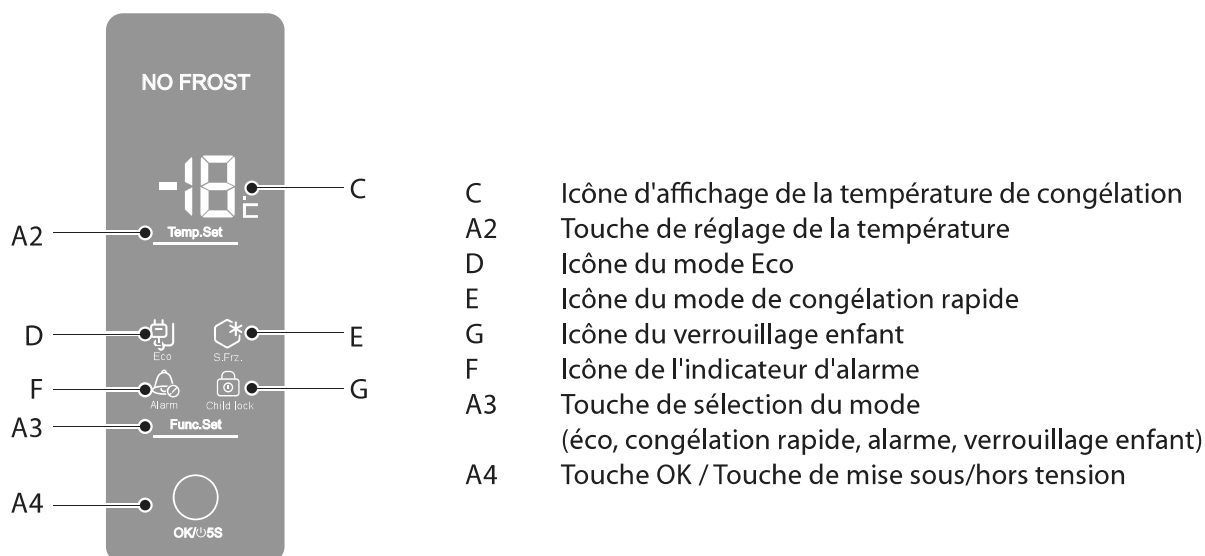
Retirez tous les emballages, la base de mousse et le ruban adhésif fixant les accessoires. Placez le congélateur dans un endroit approprié (voir chapitre Environnement de l'appareil).

Nettoyez les parties intérieure et extérieure du congélateur avant son utilisation (voir chapitre Dégivrage et nettoyage)

Pour garantir un fonctionnement optimal, attendez au moins 6 h pour brancher l'appareil après l'avoir placé de niveau et nettoyé.

# FONCTIONS

## Panneau de commande



## Démarrage

« Remarque : L'alarme de température élevée ne déclenche pas si le congélateur est mis en marche. L'alarme retentira qu'au bout de 3 heures si le congélateur n'a pas refroidi en dessous de 0°C » .

Insérez la fiche dans la prise pour mettre le congélateur sous tension. La zone C indique alors la température actuelle dans le congélateur.

Le témoin d'alarme F et un signal sonore indiquent que la température intérieure du congélateur n'est pas suffisamment basse pour le stockage des denrées alimentaires. Appuyez sur la touche A3 pour choisir la fonction « Alarm », puis sur la touche A4 pour désactiver le signal sonore. Le témoin reste néanmoins allumé tant que la température du congélateur n'a pas atteint 0°C.

Lorsque l'affichage indique la température de 0°C, le mode d'alarme s'arrête automatiquement et le congélateur est prêt pour le stockage des aliments.

Contrôle du panneau de commande :

Appuyez sur n'importe quelle touche de l'écran d'affichage et vérifiez si la plage de température et l'icône sélectionnée s'allument.

Réglage de la température :

Pour régler la température, appuyez sur la touche A2. Pendant le réglage de la température, deux chiffres clignotants indiquent la valeur de consigne. Appuyez à nouveau sur la touche pour modifier la valeur de consigne en mode cyclique décroissant de -14 °C à -26 °C.

Si vous n'appuyez pas sur la touche OK dans les 5 secondes, la valeur de consigne sera automatiquement enregistrée.

Une fois la température réglée, l'affichage à deux chiffres indique de nouveau la température du congélateur.

L'appareil est réglé en usine sur -18 °C. L'appareil est réglé en usine sur -18 °C. Nous vous recommandons d'utiliser le réglage par défaut, il n'est pas nécessaire de l'ajuster.

Alimentation :

Appuyez sur la touche A4 pendant 5 secondes pour couper l'alimentation du congélateur ; appuyez de nouveau sur la touche pour le remettre sous tension.

**⚠** Avant toute opération de nettoyage, veillez à débrancher l'appareil en retirant la fiche de la prise. Il ne suffit pas d'appuyer sur la touche de mise hors tension.

# FONCTIONS

## Fonctions du congélateur

**CONGELATION RAPIDE** : appuyez sur la touche A3 et choisissez le mode « S.Frz », puis appuyez sur la touche A4 pour activer la congélation rapide des aliments frais.

Le voyant E s'allume pour indiquer que la fonction est activée. L'activation de la fonction est terminée. Le voyant reste allumé tant que la fonction n'est pas désactivée.

En cas de grandes quantités de nourriture à congeler en une seule fois, il est recommandé d'activer la fonction 30 heures avant leur congélation. La fonction s'arrête automatiquement après 56 heures ou peut être désactivée manuellement. La consommation électrique augmente lorsque cette fonction est activée.

**MODE ECO** : lorsque l'écran est déverrouillé, appuyez sur la touche A3 pour choisir le mode « ECO », puis sur la touche A4 pour activer la fonction d'économie d'énergie réglant la plage de température entre -18 °C et -14 °C. Si la température a été précédemment réglée sur -19 °C ou sur une température inférieure, elle est automatiquement définie sur -18 °C lorsque la fonction ECO est activée.

Le voyant D reste allumé tant que cette fonction est activée.

Appuyez sur la touche A3 pour sélectionner le mode « ECO », puis sur la touche A4 pour le désactiver.

Les modes ECO et Congélation rapide ne peuvent pas être utilisés simultanément.

**FONCTION ECO 2** : lorsque la température est réglée dans une plage de -23°C à -26°C, après 56 heures de fonctionnement du congélateur, il se règle automatiquement à -22°C afin d'économiser l'énergie et de conserver efficacement les aliments. La plupart des aliments sont efficacement conservés à une température de -18°C ou plus basse, un réglage de température trop bas augmente la consommation d'électricité. (Cette fonction nécessite pas de réglage manuel.)

La configuration la plus économe en énergie nécessite que les tiroirs, les boîtes à aliments et les étagères soient placés dans l'appareil dans les conditions de sortie d'usine et que les aliments soient placés sans bloquer la sortie d'air du conduit.

**Verrouillage enfant** : lorsque l'écran est déverrouillé, appuyez sur la touche A3 pour choisir le mode « Child lock », puis sur la touche A4 pour activer la fonction. Déverrouillage : appuyez sur n'importe quelle touche de l'écran. Celui-ci s'allume et la touche de verrouillage enfant s'éclaire. Appuyez sur la touche A3, la touche de verrouillage enfant scintille. Appuyez alors sur la touche A4 pour déverrouiller l'écran.

Si l'écran est verrouillé, la touche A2 est inactive ; seule l'icône de la fonction Verrouillage enfant est active lorsque l'on appuie sur la touche A3, la fonction d'alimentation de la touche A4 est alors désactivée.

## Signaux d'alarme

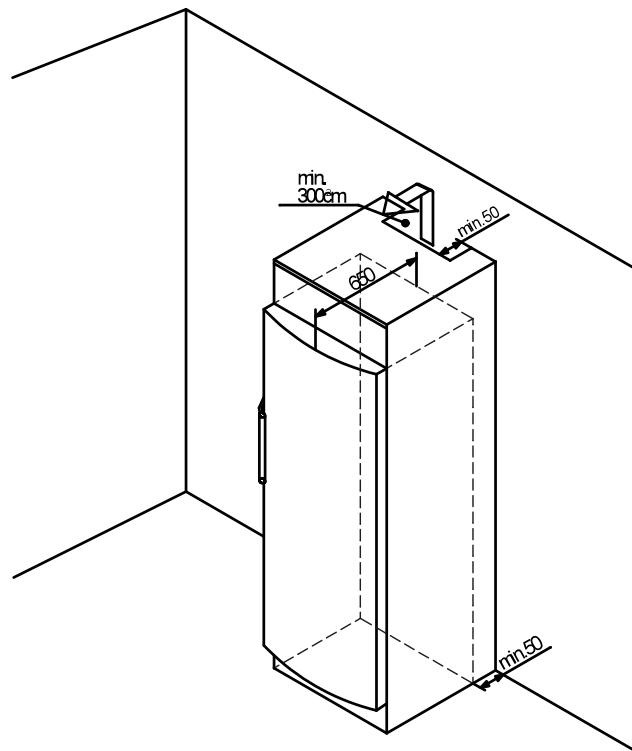
**ALARME DE TEMPERATURE** : si la température intérieure du congélateur est supérieure à 0°C, une sonnerie intermittente retentit et le voyant F clignote pour signaler l'activation de l'alarme de température. L'écran affiche le code HH

Après avoir déverrouillé l'écran, appuyez sur la touche A3 pour choisir le mode « Alarm », puis sur la touche A4. Il est possible d'arrêter le signal sonore, mais le mode d'alarme reste actif tant que la température intérieure n'a pas atteint au moins 0°C.

**ALARME D'OUVERTURE DE LA PORTE** : si la porte reste ouverte pendant 60 secondes, une sonnerie intermittente retentit. Le mode d'alarme s'interrompt lorsque vous fermez la porte ou que vous appuyez sur la touche de sélection du mode d'alarme, suivie de la touche OK. Dans ce second cas, néanmoins, le mode d'alarme redémarre après 120 secondes si la porte est toujours ouverte.

Veillez alors exécuter les procédures de contrôle suivantes : (1) Fermeture et ouverture de la porte efficaces ; (2) Ouverture fréquente de la porte ou durées des ouvertures trop longues ; (3) Quantité de nourriture introduite en une fois trop importante ; si les conditions ci-dessus sont constatées, vous pouvez annuler l'alarme. Lorsque la température à l'intérieur du congélateur atteint 0°C ou moins, l'indication « HH » n'est plus affichée.

## Montage dans un bloc d'éléments de cuisine



L'appareil peut être encastré dans un bloc d'éléments de cuisine. Pour adapter la hauteur de l'appareil à celle de la rangée d'éléments, une structure encastrée appropriée peut être ajoutée. Lors du montage de l'appareil dans une rangée d'éléments de cuisine standard (profondeur max. 580 mm), l'appareil peut être installé directement à côté de l'élément de cuisine. La porte de l'appareil doit dépasser la partie avant des éléments de cuisine (de 34 mm sur les côtés et de 55 mm au centre de l'appareil). Cette installation permet d'ouvrir et de fermer parfaitement la porte. Pour un équipement autonome : cet équipement de réfrigération n'est pas destiné à être utilisé en tant qu'équipement intégré

Remarque importante pour la ventilation :

Il convient de laisser un espace de ventilation d'au moins 50 mm de profondeur sur toute la largeur de l'élément, à l'arrière de celui-ci.

L'espace de ventilation sous le plafond doit être d'au moins 300 cm<sup>2</sup>.

Plus l'espace de ventilation est important, plus la consommation d'énergie est réduite lors de l'utilisation de l'appareil.

Si ce dernier est installé avec les charnières côté mur, la distance entre l'appareil et le mur doit être d'au moins 55 mm. Cette distance correspond au dépassement de la poignée lors de l'ouverture de la porte.

## Instructions d'utilisation

### 1. OUVERTURE DES COUVERTCLES

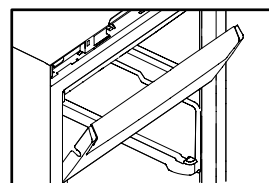
Pour ouvrir les couvercles supérieurs, il convient de les soulever légèrement et de les faire basculer.

Ouvrez le couvercle pour placer la nourriture dans le tiroir.

Fermez le couvercle de façon à éviter son contact avec la porte.

Il est possible de retirer le couvercle pour augmenter la capacité de stockage.

REMARQUE : deux clayettes de la partie supérieure sont équipées de portes mais vous ne devez pas placer de nourriture sur l'avant de la plaque en verre. Cela pourrait empêcher la fermeture correcte des portes. Si c'est le cas, veuillez vérifier si de la nourriture gêne la fermeture, rangez votre nourriture de façon à ne pas gêner la fermeture et refermez les portes. Avertissement : vérifiez que les portes des clayettes soient fermées avant de fermer la porte de l'appareil et veillez à ne fermer la porte de l'appareil qu'une fois les portes des clayettes bien fermées afin qu'elles ne subissent aucune pression.



### 2. RETRAIT DES TIROIRS

Tirez les tiroirs jusqu'à la butée, soulevez-les légèrement pour les enlever.

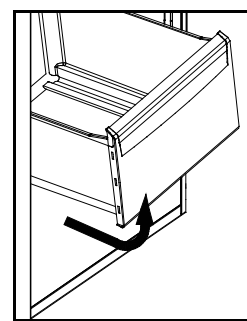
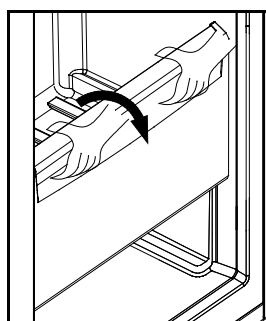
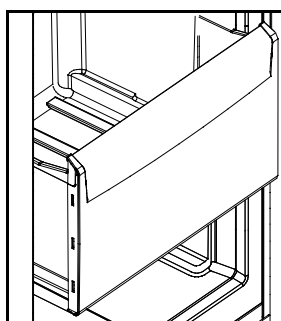
Les tiroirs (sauf le tiroir inférieur) peuvent être enlevés pour augmenter l'espace de stockage.

Glissières disponibles pour certains modèles.

### 3. GRAND BAC

Tirez le grand bac jusqu'à la butée. Soulevez-le et retirez-le des glissières télescopiques.

REMARQUE : sur certains modèles, le grand bac est équipé d'une structure coulissante. Retirer les tiroirs correctement : retirez dans un premier temps toute nourriture et poussez le tiroir à fond ; levez ensuite la partie arrière du tiroir et tirez-le. Ne soulevez pas le tiroir avant qu'il ne soit bloqué, il s'enlèvera facilement à ce moment-là ; si cela ne fonctionne pas, poussez à nouveau le tiroir à fond et répétez ces étapes.

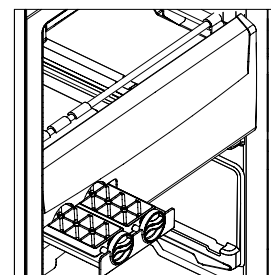
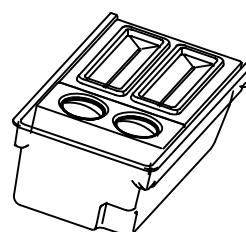


### 4. PRODUCTION DE GLAÇONS

Certains modèles sont équipés d'un système de production de glaçons à bacs avec dispositif de retrait et bac à glace.

**A**

**B**



### 5. Retirez les bacs à glaçons.

Nettoyez-les et remplissez-les d'eau.

Remplacez les bacs à glaçons sur leur support.

Attendez quelques heures pour que la glace se soit formée avant de tourner les boutons pour extraire les glaçons.

### 6. Les glaçons tombent directement dans le container à glaçons.

Les compartiments de la porte peuvent contenir une PIZZA emballée d'une épaisseur de moins de 30 mm ou tout autre aliment emballé.

Eutectiques disponibles pour certains modèles. Il est également possible d'acheter des eutectiques et de les placer dans le congélateur ; leur épaisseur doit être inférieure à 30 mm.

# FONCTIONS

**I** Réversibilité de la porte :  
Démontage de la porte côté droit (①&②).  
(Représentation graphique en page de bout de livret  
d'instruction.)

## ① (figura ①)

### 1、

#### 1.1

Démontez le cache de la charnière droite à l'aide d'un tournevis plat puis débranchez la prise connectée au sommet de la charnière.

#### 1.2

Démontez les vis de la charnière à l'aide d'un tournevis cruciforme. Retirez la charnière supérieure.

#### 1.3

Soulevez la porte pour la déposer.

### 2、

#### 2.1

Démontez le petit cache sur la gauche de l'armoire avec un tournevis plat. Installez-le dans le trou sur la droite de l'armoire.

#### 2.2

Retirez la plaque de fermeture à l'avant de l'armoire et tirez le câble de signaux vers la gauche de l'armoire.

#### 2.3

Placez le câble de signaux dans la gorge de la plaque de fermeture avant et attachez-le avec la plaque de fermeture avant.

### 3、

#### 3.1

Démontez l'axe de la charnière du côté droit et le cache du côté gauche de la porte.

#### 3.2

Pressez le câble de signaux sur la droite de la porte dans la gorge de la bande décorative puis fermez le cache.

#### 3.3

Sortez le câble de signaux de la gorge du côté gauche de la porte et poussez-le dans l'axe de la charnière puis placez-le dans la bande décorative.

### 4、

#### 4.1

Démontez la butée en croix métallique sur la droite de la porte puis montez-la dans la position correspondante sur la gauche de la porte.



Débranchez l'alimentation et videz l'appareil avant de commencer l'opération.

#### 4.2

Démontez la charnière inférieure à l'aide d'un tournevis cruciforme.

### 5、

A. Utilisez des clés ou des pinces pour enlever l'axe d'articulation, puis le fixer dans l'orifice gauche de la charnière.

B. Utilisez un tournevis cruciforme pour retirer les vis situées à gauche de l'armoire, puis insérez-les sur le côté droit. Montez la charnière inférieure sur le côté gauche.

### 6、

#### 6.1

Posez la porte sur l'axe du compartiment.

### 7、

#### 7.1

Prenez la charnière et le cache de charnière supplémentaires dans le tiroir du congélateur puis mettez la charnière et le couvercle de charnière démontés dans un sac afin de les ranger.

#### 7.2

Insérez la charnière dans le trou sur la gauche de la porte puis vissez les vis dans la charnière et réalisez la liaison de terre et plaçant des rondelles derrière les vis.

#### 7.3

Branchez les prises de l'armoire aux prises de la porte puis attachez le cache de la charnière.

## ②(figura②)

1

- A. Ouvrez la porte
- B. Forcez vers le bas pour retirer les deux petits caches à gauche et à droite
- C. Soulevez le cache frontal vers l'extérieur

2

- A. Utilisez un tournevis pour retirer le petit cache situé sur la partie droite de la porte
- B. Utilisez un tournevis pour faire levier vers l'intérieur et enlever les bandes décoratives

3

- A. Utilisez un tournevis cruciforme pour retirer les vis des charnières. Retirez la charnière supérieure
- B. Débranchez la borne de câblage

4

- A. Relevez légèrement la porte pour la démonter
- B. Utilisez un tournevis cruciforme pour retirer la charnière inférieure

5

- A. Utilisez des clés ou des pinces pour enlever l'axe d'articulation, puis le fixer dans l'orifice gauche de la charnière.
- B. Utilisez un tournevis cruciforme pour retirer les vis situées à gauche de l'armoire, puis insérez-les sur le côté droit. Montez la charnière inférieure sur le côté gauche.

6

- A. Utilisez un tournevis à tête plate pour enlever le bouchon fileté situé sur la partie droite de la porte.
- B. Retirez l'axe d'articulation supérieur et fixez-le de l'autre côté sur la charnière. Placez le bouchon fileté sur le côté gauche et bouchez l'orifice de la vis.

7

- A. Connectez le fil de transmission situé au niveau de la bande décorative de la porte à la borne de la charnière. Dégagez les fils d'alimentation et placez-les derrière le cache de la bande décorative.
- B. Fixez la bande décorative et remettez son cache du côté droit.
- C. Fermez le cache frontal supérieur de l'armoire. Insérez les caches gauche et droit dans la rainure.

## II

Instructions pour le remplacement de la poignée : selon configuration (dessin différent).

Poignée mécanique : (figura.1&2)

- A. Utilisez un tournevis à tête plate pour dévisser le cache supérieur de la poignée. Retirez les deux vis, puis enlevez la poignée.
- B. Utilisez un tournevis à tête plate pour retirer le bouchon fileté sur la droite de la porte. Placez le bouchon fileté sur le côté gauche et bouchez l'orifice de la vis. Fixez la poignée sur le côté droit et recouvrez-la.

Poignée classique : (figura.3)

- A. Utilisez un tournevis à tête plate pour dévisser le cache supérieur de la poignée. Retirez les deux vis, puis enlevez la poignée.
- B. Utilisez un tournevis à tête plate pour enlever le bouchon fileté situé sur la partie droite de la porte. Placez le bouchon fileté sur le côté gauche et bouchez l'orifice de la vis.
- C. Fixez la poignée sur le côté droit et recouvrez-la.

# MAINTENANCE

## Dégivrage et nettoyage

**DEGIVRAGE DU CONGELATEUR :** le congélateur dégivre automatiquement. Aucune opération manuelle n'est nécessaire.

**NETTOYAGE :** l'appareil doit être nettoyé régulièrement pour éviter les mauvaises odeurs de nourriture.

Débranchez le cordon d'alimentation avant de nettoyer le congélateur.

Nettoyez le congélateur avec un chiffon doux ou une éponge imbibée d'eau chaude (éventuellement avec un détergent doux).

Essuyez les gouttelettes d'eau sur la surface du congélateur à l'aide d'un chiffon sec.

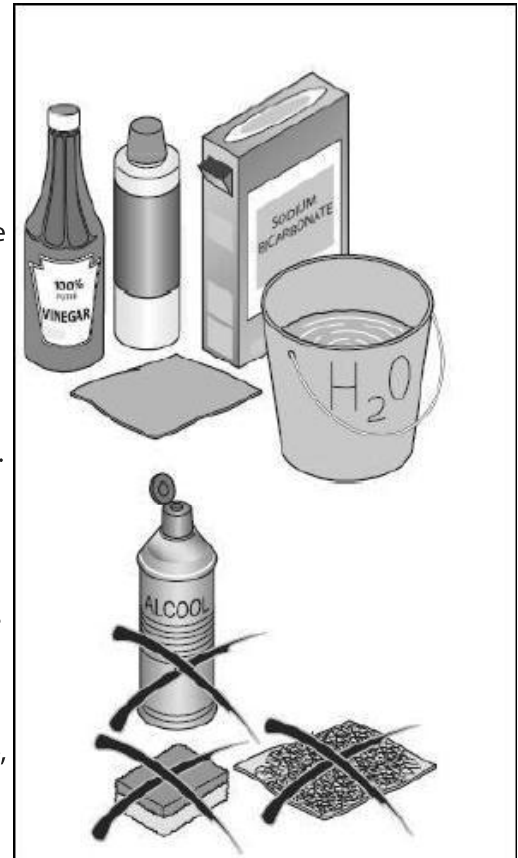
Assurez-vous que le joint de la porte reste toujours propre.

**⚠** Le congélateur est très lourd. S'il doit être déplacé pour un nettoyage ou une réparation, veillez à ne pas endommager le sol. Maintenez le congélateur à la verticale pendant son déplacement. Ne déplacez pas le congélateur en le balançant de droite à gauche, vous risqueriez d'endommager le sol.

**⚠** Ne vaporisez pas d'eau sur le congélateur et n'en utilisez pas non plus pour le rincer pour éviter de réduire les performances de son isolation électrique.

**⚠** Ne nettoyez pas l'appareil avec une brosse dure, une brosse métallique, du détergent en poudre, de l'essence, de l'acétate d'amyle, de l'acétone ou toute autre solution organique similaire, de l'eau chaude ou des solutions acides ou alcalines.

**⚠** Lors du nettoyage de l'écran d'affichage et des autres appareils électriques, utilisez toujours un chiffon sec.



## Arrêt de l'utilisation

Si le congélateur ne doit pas être utilisé pendant une période prolongée, il convient de débrancher le cordon d'alimentation et de nettoyer l'appareil comme décrit ci-dessus.

Maintenez la porte du congélateur ouverte pour éviter la formation de mauvaises odeurs dues à des aliments restés stockés dans le compartiment de congélation.

**⚠** Pour assurer une durée de vie prolongée de l'appareil, il est recommandé de n'éteindre le congélateur qu'en cas d'absolue nécessité.

## Déplacement du congélateur

Débranchez le cordon d'alimentation et mettez l'appareil hors tension.

Retirez tous les aliments du congélateur.

Fixez les tiroirs et les autres parties mobiles dans le congélateur avec du ruban adhésif.

Fermez et fixez la porte avec du ruban adhésif afin qu'elle ne puisse pas s'ouvrir lors du transport.

N'inclinez pas le congélateur à plus de 45 degrés (par rapport à la verticale) pour éviter d'endommager le système de réfrigération lors du déplacement du congélateur.

Enveloppez les pieds du congélateur pour éviter de rayer le sol. Ne forcez jamais lors du déplacement du congélateur. Ne le déplacez pas non plus par sa poignée, ses couvercles ou ses tuyaux pour éviter les dommages matériels ou corporels.

**⚠** Ne placez jamais le congélateur à l'horizontale.

# RESOLUTION DES PROBLEMES

Avant d'appeler le service après-vente, veuillez vous reporter au préalable au tableau de dépannage ci-dessous. Vous gagnerez ainsi un peu de temps et ferez quelques économies. Le tableau contient une liste des problèmes les plus fréquents, à l'exception des problèmes dus à des défauts de fabrication ou de matériau.

PROBLEMES	CAUSES	SOLUTIONS
<b>Fonctionnement du congélateur</b>		
Le compresseur ne fonctionne pas	Le produit est en cycle de dégivrage. Le congélateur n'est pas branché dans une prise de courant. Le produit est hors tension.	<input type="checkbox"/> Cette situation est normale pour un congélateur à dégivrage automatique. <input type="checkbox"/> Vérifiez que la fiche, la prise ou le fusible n'est pas endommagé. Mettez le produit sous tension après avoir confirmé leur bon état de fonctionnement. <input type="checkbox"/> Appuyez sur la touche d'alimentation pour redémarrer le congélateur.
Le congélateur fonctionne souvent ou trop longtemps	La température intérieure ou extérieure est élevée. <input type="checkbox"/> Le congélateur a été mis hors tension pendant un certain temps. <input type="checkbox"/> La porte est ouverte trop fréquemment ou trop longtemps. <input type="checkbox"/> La porte du congélateur n'est pas correctement fermée. <input type="checkbox"/> La température réglée est trop basse. <input type="checkbox"/> Le joint de la porte est sale, usé, fissuré ou inadapté. <input type="checkbox"/> Le condenseur est sale.	<input type="checkbox"/> Dans ce cas, il est normal que le congélateur fonctionne plus longtemps. <input type="checkbox"/> Normalement, il faut 8 à 12 heures au congélateur pour refroidir intégralement. <input type="checkbox"/> L'air chaud pénètre dans le congélateur, ce qui entraîne fréquemment son démarrage. Il est conseillé de ne pas ouvrir la porte trop souvent. <input type="checkbox"/> Assurez-vous que le congélateur a été placé sur une surface plane et qu'aucun aliment ou récipient ne heurte la porte. <input type="checkbox"/> Augmentez la température jusqu'à l'obtention d'une température de congélation satisfaisante. Il faut 24 heures pour atteindre la température de congélation. <input type="checkbox"/> Nettoyez ou remplacez le joint de porte. Toute fuite constatée au niveau du joint de la porte peut prolonger la durée de fonctionnement du congélateur dans le but de maintenir la température souhaitée. <input type="checkbox"/> Nettoyez le condenseur.
<b>Température trop élevée</b>		
Température trop élevée à l'intérieur du produit	La porte est ouverte trop fréquemment ou trop longtemps. <input type="checkbox"/> La température est trop élevée. <input type="checkbox"/> La porte n'est pas fermée hermétiquement. <input type="checkbox"/> Le condenseur est sale.	L'air chaud s'engouffre dans le congélateur à chaque ouverture de la porte. Ouvrez la porte le moins souvent possible. <input type="checkbox"/> Réinitialisez la température. <input type="checkbox"/> Assurez-vous que le congélateur a été placé sur une surface plane et qu'aucun aliment ou récipient ne heurte la porte. <input type="checkbox"/> Nettoyez le condenseur.
<b>Présence d'eau, d'humidité ou de givre sur la surface extérieure du congélateur</b>		
L'humidité s'accumule sur la surface extérieure du congélateur	<input type="checkbox"/> Environnement humide. <input type="checkbox"/> La porte n'est pas fermée hermétiquement, ce qui provoque la condensation de l'air froid dans le congélateur et de l'air chaud à l'extérieur.	Une situation de cette nature est tout à fait normale dans un environnement humide. L'humidité sur l'appareil diminue avec l'humidité du climat. <input type="checkbox"/> Assurez-vous que le sol est plat et qu'aucun aliment ou récipient ne dépasse de la porte. Fermez la porte hermétiquement.

# RESOLUTION DES PROBLEMES

PROBLEMES	CAUSES	SOLUTIONS
<b>Mauvaises odeurs dans le congélateur</b>		
L'intérieur du congélateur est sale	L'intérieur du congélateur doit être nettoyé. <input type="checkbox"/> Des aliments dégageant une forte odeur sont stockés dans le congélateur.	Nettoyez l'intérieur du congélateur. (Voir chapitre Dégivrage et nettoyage) <input type="checkbox"/> Vérifiez que la nourriture n'est pas avariée. Retirez du congélateur les aliments avariés ou dégageant une forte odeur.
<b>En cas de...</b>		
Bips sonores	La porte du congélateur est ouverte. <input type="checkbox"/> La température dans le congélateur est trop élevée. <input type="checkbox"/> Certaines pièces peuvent être endommagées.	Fermez la porte ou désactivez l'alarme manuellement. <input type="checkbox"/> Le déclenchement de l'alarme est normal au premier démarrage ou lors de la première congélation d'aliments. L'alarme peut être coupée manuellement. <input type="checkbox"/> Contactez le personnel du service après-vente.
Bruit anormal	Le congélateur n'est pas placé sur une surface plane. <input type="checkbox"/> Le congélateur est en contact avec un autre meuble ou objet.	Ajustez la hauteur des pieds pour mettre le congélateur de niveau. <input type="checkbox"/> Retirez les objets autour de l'appareil.
Léger bruit semblable à celui de l'eau qui coule	Il s'agit du bruit du système de réfrigération.	Normal.
Dégagement de chaleur de l'armoire	Le système de réfrigération fonctionne.	Cette situation est tout à fait normale et empêche la condensation.

## Plaque signalétique

La plaque signalétique est fixée en bas à gauche, à l'intérieur du compartiment de congélation. La plaque signalétique fournit des renseignements importants sur l'appareil et ne doit pas être endommagée ni retirée.

La capacité valide et la consommation de puissance absorbée nominale indiquées sur la plaque signalétique sont soumises aux normes correspondantes.

Concernant les spécifications, reportez-vous à la plaque signalétique et à l'étiquette énergie à l'intérieur du produit.

Cet appareil doit être utilisé à une température ambiante indiquée ci-dessous :

SN	+ 10°C~+32°C
N	+ 16°C~+32°C
ST	+ 16°C~+38°C
T	+ 16°C~+43°C

La garantie minimale est : 2 ans pour les pays de l'UE, 3 ans pour la Turquie, 1 an pour le Royaume-Uni, 1 an pour la Russie, 3 ans pour la Suède, 2 ans pour la Serbie, 5 ans pour la Norvège, 1 an pour le Maroc, 6 mois pour l'Algérie, aucune garantie légale requise pour la Tunisie. »

« Les thermostats, les capteurs de température, les circuits imprimés et les sources lumineuses sont disponibles pour une période minimale de sept ans après commercialisation de la dernière unité du modèle sur le marché. Les poignées de porte, charnières de porte, plateaux et paniers sont disponibles pour une période minimale de sept ans et les joints de porte pour une période minimale de 10 ans après commercialisation de la dernière unité du modèle sur le marché ».

## Dank u voor uw aankoop van een Haier-product

Lees de volgende instructies goed door voordat u het apparaat in gebruik neemt. De instructies bevatten belangrijke informatie waarmee u het apparaat optimaal kunt gebruiken en veilig en correct kunt installeren, gebruiken en onderhouden.

Bewaar deze gebruiksaanwijzing op een gemakkelijk bereikbare plaats, zodat u deze altijd direct kunt raadplegen om uw apparaat veilig en correct te kunnen blijven gebruiken.

Als u het apparaat doorverkoopt, weggeeft of achterlaat wanneer u verhuist, geef deze gebruiksaanwijzing dan aan de nieuwe eigenaar, zodat hij of zij vertrouwd kan raken met uw apparaat en de veiligheidswaarschuwingen.

# INHOUDSOPGAVE

WAARSCHUWINGEN .....	3
VOORDAT U DE VRIEZER IN GEBRUIK NEEMT .....	6
FUNCTIES .....	8
ONDERHOUD.....	14
PROBLEMEN OPLOSSEN .....	15

# WAARSCHUWINGEN

## Legenda

- ⓘ Let op
- ⚠ Waarschuwing
- ⊘ Verbod

## Huisafval

Dit symbool op het product, de accessoires of materialen bij deze informatie geeft aan dat het product of de elektronische accessoires (bijv. oplader, headset, USB-kabel) niet mogen worden weggegooid bij ander huisafval. Om mogelijke schade aan het milieu of de gezondheid als gevolg van ongereguleerde afvalverwerking te voorkomen, moeten deze voorwerpen worden gescheiden van ander afval en worden gerecycled. Dit bevordert het duurzame hergebruik van materiaalbronnen.

Huishoudelijke gebruikers dienen contact op te nemen met de winkelier van wie ze het product hebben gekocht of met de plaatselijke autoriteiten voor informatie over hoe het voorwerp op een milieuvriendelijke en veilige wijze kan worden verwerkt. Bedrijven dienen contact op te nemen met hun leverancier en de voorwaarden van de aankoop na te gaan. Dit product en de bijbehorende elektronische accessoires mogen niet worden gemengd met commercieel afval.



## Voor gebruik...

- ⓘ Dit apparaat gebruikt een wisselstroomvoeding.

Sluit het apparaat aan op het normale voltage. Bij fluctuaties in het voltage is het mogelijk dat het apparaat niet wordt gestart of dat de temperatuurregelaar of de compressor beschadigd raakt of een ongewoon geluid produceert. Gebruik een goede stabilisator.

- ⓘ Er moet een stopcontact met aarding worden gebruikt.

Zorg er altijd voor dat het stopcontact via de aardingsdraad is verbonden met de aarde en breng geen wijzigingen aan de stroomkabel en de stekker aan. De stroomkabel dient stevig op het stopcontact te zijn aangesloten om brandgevaar te beperken. Nadat het apparaat is geïnstalleerd, moeten de stekkers gemakkelijk toegankelijk zijn zodat ze op tijd kunnen worden losgetrokken bij ongevallen.

- ⊘ Beschadig de stroomkabel niet.

Trek niet aan de stroomkabel om de stekker uit het stopcontact te halen. Houd de stekker zelf vast om deze los van het stopcontact trekken.

De behuizing van het apparaat mag geen druk uitoefenen op de stroomkabel en er mag niet op de stroomkabel worden gestapt.

- ⊘ Wanneer de stroomkabel is beschadigd:

Gebruik de stroomkabel niet wanneer deze is beschadigd of wanneer de stekker is versleten. De versleten of beschadigde stroomkabel moet worden vervangen door de aangewezen onderhoudsleverancier, door de fabrikant of door bevoegd personeel.

Als er een langere stroomkabel nodig is, mag de dwarsdoorsnede van de toegevoegde kabel niet minder zijn dan 0,75 mm<sup>2</sup>.

- ⓘ Houd de ventilatieopeningen in de behuizing van het apparaat of in de ingebouwde structuur vrij van obstakels.

- ⓘ Bij lekkage van ontvlambaar gas zoals aardgas:

Sluit de kraan waaruit het gas lekt. Open deuren en ramen. Steek de stekker van het apparaat of van andere elektrische apparaten niet in het stopcontact en verwijder deze ook niet.

- ⓘ Pas op voor bevriezing

Raak het binnenoppervlak van het bewaarcompartiment van de vriezer niet aan wanneer deze in gebruik is. Dit is vooral belangrijk wanneer uw handen nat zijn en aan het oppervlak kunnen vastvriezen.

# WAARSCHUWINGEN

## ⚠ Wanneer het apparaat niet meer wordt gebruikt:

Houd het apparaat uit de buurt van vuur om ongevallen te voorkomen. Verwijder de deur van het apparaat (open de deur, houd deze vast en verwijder de schroeven), om ongevallen met kinderen die in het apparaat kruipen te voorkomen. Stuur het apparaat naar de aanwezen plek voor afvalverwerking.

## ⚠ Open de deur met de hendel.

⚠ Bewaar en gebruik geen benzine of andere ontvlambare stoffen in de buurt van de vriezer om brand te voorkomen.

⚠ Bewaar nooit ontvlambare stoffen, explosieven of sterk corrosieve zuren/basen en andere chemische stoffen in de vriezer.

⚠ Bewaar geen flessen bier of andere dranken in de vriezer aangezien deze kunnen barsten tijdens het bevriezen.

⚠ Gebruik geen elektrische apparaten binnen de opslagcompartimenten in het apparaat, tenzij ze van een door de fabrikant aanbevolen type zijn.

⚠ Let op uw kinderen

⚠ Als de lampen beschadigd zijn, moeten deze worden vervangen door de fabrikant of door de gekwalificeerde persoon bij de gespecificeerde onderhoudsspecialist.



⚠ Blijf uit de buurt van water

Spuut geen water op de vriezer en spoel deze niet door met water. Zet de vriezer niet op een natte locatie of waar deze kan worden bespat met water, om te voorkomen dat de elektrische isolatie beschadigd raakt of tot schokken of brand leidt.

⚠ Beschadig het koelmiddelcircuit niet

Demontage en aanpassing van de vriezer moet eerst worden geautoriseerd. Bij schuddende bewegingen van de vriezer kunnen de koelleidingen beschadigd raken. Reparatie van het apparaat moet worden uitgevoerd door professioneel personeel.

⚠ Haal de stekker in dit geval uit het stopcontact:

Voordat reinigings- of onderhoudswerkzaamheden worden uitgevoerd of bij storingen of uitschakeling, dient u de stekker van de vriezer uit het stopcontact te halen. Wacht minstens 5 minuten nadat u de stekker van het apparaat hebt verwijderd omdat bij vaak herhaaldelijk starten de compressor beschadigd kan raken.

⚠ Deze vriezer is een huishoudelijk apparaat dat alleen is bedoeld voor het bewaren van voedsel. Bewaar geen bloed, medicijnen, biologische producten en andere producten in het apparaat.

⚠ Houd de ventilatieopeningen in de behuizing van het apparaat of in de ingebouwde structuur vrij van obstakels.

Dit apparaat is niet bedoeld voor gebruik door personen (waaronder kinderen) met lichamelijke, zintuiglijke of geestelijke beperkingen, of voor personen die niet beschikken over kennis of ervaring, tenzij zij onder supervisie staan van een persoon die voor hun veiligheid verantwoordelijk is of van een dergelijk persoon instructies hebben gekregen over het gebruik van het apparaat.

Dit apparaat is bedoeld voor huishoudelijk gebruik en voor soortgelijke omgevingen, zoals

- personeelskeukens in winkels, kantoren en andere werkomgevingen;
- boerderijen en bij gasten in hotels, motels en andere woonomgevingen;
- bed & breakfasts;
- catering en soortgelijke omgevingen.

Tips voor energiebesparing

Installeer het apparaat in een koele, droge ruimte met voldoende ventilatie.

Bij het installeren van het apparaat moet een ruimte van minstens 10 cm boven en rondom de vriezer worden vrijgehouden om voor voldoende ventilatie rondom de vriezer te zorgen.

Laat warm voedsel afkoelen alvorens dit in de vriezer te plaatsen.

Laat de deur van het apparaat niet te lang open staan wanneer u er voedsel in plaatst of uithaalt. Hoe korter de deur open blijft, hoe minder ijs zich ophoopt in de vriezer.

Maak de achterkant van de vriezer regelmatig schoon. Stof verhoogt het energieverbruik.

Zet de temperatuur niet lager dan nodig.

Bedek de luchtopeningen niet.

# WAARSCHUWINGEN

## Invriezen en opslaan van vers voedsel

Laat ruimte open tussen etenswaren; dit is goed voor de koelcirculatie.

Plaats etenswaren per categorie, zodat u ze gemakkelijker kunt vinden.

Verpak etenswaren goed voordat u ze bewaart in de vriezer, om waterverlies en geuren te voorkomen.

Het verpakken van voedsel voordat u het in de vriezer plaatst, is optioneel. De buitenkant van de verpakking moet droog zijn om te voorkomen dat zakken aan elkaar vriezen. Verpakkingsmateriaal moet geurvrij en luchtdicht zijn en mag geen giftige stoffen bevatten.

Wij adviseren het voedsel te identificeren door de volgende informatie op te schrijven:

Naam van het voedsel

Gewicht van de portie

Aantal (stuks)

Datum van invriezing

Houdbaarheidsdatum

Zie het diagram binnen in de vriezer voor houdbaarheidstermijnen van veelvoorkomende soorten voedsel:



1. Stoofpot, ijs, worst, brood
2. Vis, garnalen, lam, vlees
3. Groenten, fruit, gevogelte, rundvlees

Het voedsel dient vers, rijp en van goede kwaliteit te zijn.

Verse groenten en fruit moeten indien mogelijk direct na het oogsten worden ingevroren om de voedingsstoffen, structuur, textuur, kleur en smaak zoveel mogelijk te behouden.

Bij vlees en wild is het beter dit enige tijd te laten hangen alvorens het in te vriezen.

Heet voedsel moet worden afgekoeld tot kamertemperatuur voordat u het in de vriezer mag plaatsen.

⚠ Haal slechts de hoeveelheid voedsel uit de vriezer die u nodig hebt. Ontdooid voedsel mag niet opnieuw worden ingevroren tenzij het eerst wordt gekookt, omdat de smaak dan verloren gaat.

Voorkom dat u vers voedsel direct in contact met diepgevroren voedsel brengt. Ingevroren voedsel kan hierdoor ontdooien, waardoor de verwachte bewaartijd mogelijk korter wordt.

Schakel om goed in te vriezen de snelvriesfunctie (zie het hoofdstuk over functies) 2 uur voordat u vers voedsel plaatst in.

⚠ Plaats geen te grote hoeveelheden vers voedsel in de vriezer. Het is raadzaam om op de vriescapaciteit van de vriezer te letten.

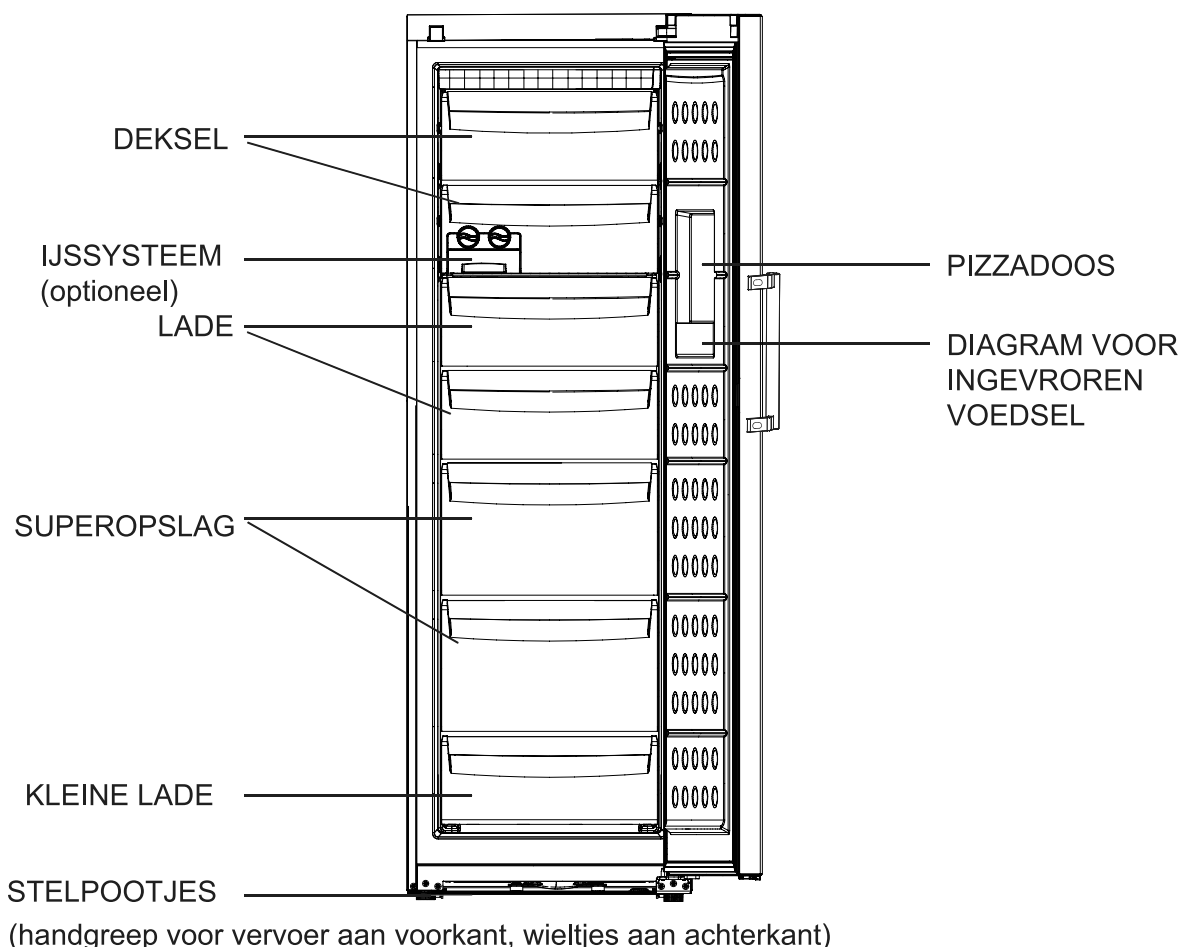
24 uur is meestal genoeg om het bevroeringsproces te beëindigen. Na deze tijd wordt de functie automatisch uitgeschakeld.

Voor het invriezen van kleine hoeveelheden voedsel is het mogelijk de functie handmatig na enkele uren te stoppen om onnodig energieverbruik te voorkomen.

# VOORDAT U DE VRIEZER IN GEBRUIK NEEMT

## Omschrijving

Dit diagram kan iets anders zijn dan de indeling van de vriezer die u hebt gekocht.



Grote lades, superopslagruimten en de kleine lade kunnen worden verwijderd om de opslagruimte in de vriezer te vergroten.

Verschillende voedingsmiddelen moeten in verschillende gebieden worden geplaatst op basis van hun eigenschappen.

DEKSEL, KLEINE LADE	Boter, kaas, rauw vers voedsel, etc.
LADE	Vleesproducten, snacks, ingelegde voedingsmiddelen, etc.
SUPER OPSLAG	Conserven, tofu, zuivel, pasta, etc.

Voor apparaten zonder 4-sterrencompartiment: dit koelapparaat is niet geschikt voor het invriezen van levensmiddelen.

Ga voor meer informatie over het product naar <https://eprel.ec.europa.eu/> of scan de QR-code op het energielabel op het apparaat.

Bezoek onze website om contact op te nemen met de technische dienst:

<https://corporate.haier-europe.com/en/>

Kies onder de rubriek 'website' het merk van uw product en uw land.

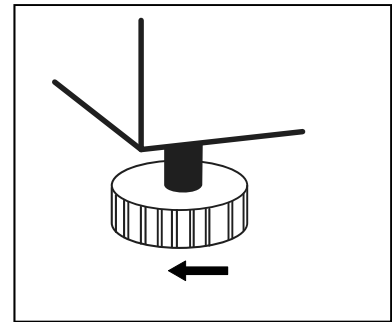
U wordt doorgestuurd naar de specifieke website waar u het telefoonnummer en een formulier om contact op te nemen met de technische dienst vindt.

Opmerking: Dit product bevat een lichtbron van energie-efficiëntieklasse <G>.

# VOORDAT U DE VRIEZER IN GEBRUIK NEEMT

## Omgeving van plaatsing

De vriezer moet op een plat en solide oppervlak worden geplaatst. Als het apparaat op een verhoging wordt geplaatst, dienen vlakke, sterke en brandbestendige materialen te worden gebruikt. Gebruik nooit schuimmateriaal als verhoging. Als de vriezer instabiel is, kunt u de stelplaatjes van de vriezer langer of korter maken door ze links- of rechtsom te draaien en de hoogte van de vriezer aan te passen. Plaats de vriezer niet in direct zonlicht of in de buurt van verwarmingselementen om ervoor te zorgen dat de vriezer optimaal blijft presteren. Installeer de vriezer op een goed geventileerde plaats en houd een ruimte van minstens 10 cm vrij boven en rondom de vriezer.



Plaats de vriezer nooit in een vochtige locatie of waar deze kan worden bespat met water. Verwijder en droog waterspatten en vlekken tijdig met een zachte doek om roest te voorkomen.

Plaats de vriezer niet op een plaats waar de temperatuur te laag is (onder 5°C). Plaats de vriezer niet buiten of in de regen.

## Vorbereiding voor gebruik

Verwijder alle onderdelen van de verpakking, de schuimbasis en het plakband waarmee de accessoires zijn bevestigd.

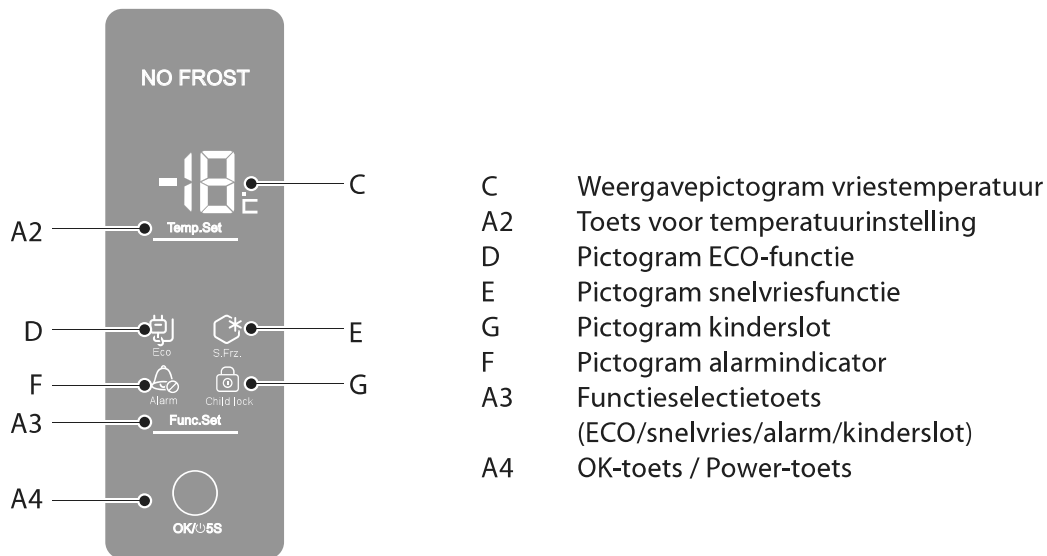
Plaats de vriezer op een goede locatie (zie Omgeving van plaatsing).

Maak de vriezer voorafgaand aan het gebruik van binnen en buiten schoon (zie Ontdooien en reinigen)

Nadat het apparaat waterpas is geplaatst en gereinigd, moet het minstens 6 uur leeg blijven voordat het wordt ingeschakeld om voor een normale werking te zorgen.

# FUNCTIES

## Bedieningspaneel



## Beginnen

"Let op: - De hoge temperatuur alarm klinkt niet als de vriezer voor het eerst wordt ingeschakeld. Het zal alleen klinken na 3 uur als de vriezer niet beneden 0 ° C is afgekoeld. "

Steek de stekker in het stopcontact om de vriezer in te schakelen. Het rooster C geeft vervolgens de actuele temperatuur binnenin de vriezer weer.

Het alarmlampje F en het geluidssignaal geven aan dat de temperatuur in de vriezer niet laag genoeg is voor het bewaren van voedsel. U kunt het geluidssignaal uitschakelen door op de A3-toets te drukken, de functie Alarm te kiezen en daarna op de A4-toets te drukken. Het waarschuwinglampje blijft branden totdat er een temperatuur van 0°C wordt bereikt.

Wanneer het scherm een temperatuur van 0°C toont, dan stopt de alarmconditie automatisch en kan er voedsel worden bewaard in de vriezer.

Het bedieningspaneel bekijken:

Raak een toets op het scherm aan en kijk of het temperatuurgebied en het geselecteerde pictogram verlicht kunnen worden.

Temperatuur instellen:

Druk op de A2-toets om de temperatuur in te stellen. Tijdens het instellen van de temperatuur wordt de instelling aangegeven door twee knipperende cijfers. Als u nogmaals op de toets drukt, wordt de instelling in cyclusmodus of in aflopende modus gewijzigd van -14°C tot -26°C.

Als er gedurende 5 seconden geen actie wordt uitgevoerd met de OK-toets, dan wordt de instelling automatisch opgeslagen.

Nadat de temperatuur is ingesteld, geven de twee cijfers op het scherm de temperatuur van de vriezer weer aan.

De fabrieksinstelling van de temperatuur is -18°C. We bevelen aan dat u de standaard instelling gebruikt. Deze dient niet te worden aangepast.

Power-functie:

Druk 5 seconden op de A4-toets om de vriezer uit te schakelen. Doe dit opnieuw om de vriezer weer in te schakelen.

**⚠** Voordat u het apparaat gaat reinigen moet u de stekker uit het stopcontact halen. Het uitschakelen van het apparaat met de power-toets is niet voldoende.

# FUNCTIES

## Vriezerfuncties

**SNELVRIESFUNCTIE** Druk op de A3-toets en kies de functie "S.FRZ". Druk daarna op de A4-toets om het snel invriezen van vers voedsel te activeren.

Het speciale lampje E gaat aan om aan te geven dat de functie is ingeschakeld.

Het lampje blijft branden totdat de functie wordt uitgeschakeld.

Als u een grote hoeveelheid voedsel tegelijk wilt invriezen, dan wordt aanbevolen de functie 30 uur van tevoren in te schakelen. De functie wordt na 56 uur automatisch uitgeschakeld en kan ook handmatig worden uitgeschakeld. Het stroomverbruik neemt toe wanneer de functie is ingeschakeld.

**ECO-functie:** Wanneer het scherm is ontgrendeld, drukt u op de A3-toets om de ECO-functie te selecteren en vervolgens op de A4-toets. Zo kunt u de energiebesparingsfunctie selecteren, waardoor de temperatuur tussen -18°C en -14°C wordt ingesteld. Als de temperatuur was ingesteld op -19°C of lager, dan wordt deze automatisch ingesteld op -18°C wanneer de ECO-functie is ingeschakeld.

Als deze functie is ingeschakeld, gaat lampje D branden totdat de functie wordt uitgeschakeld.

U kunt op de A3-toets drukken om de ECO-functie te selecteren en daarna op de A4-toets drukken om de functie uit te schakelen.

De ECO- en snelvriesfuncties kunnen niet gelijktijdig worden gebruikt.

**ECO 2-FUNCTIE:** Als de temperatuur tussen -23°C en -26°C is ingesteld en de vriezer is gedurende 56 uur ingeschakeld, dan wordt de temperatuur automatisch op -22°C ingesteld om energie te besparen en de etenswaren op een goede manier te bewaren. Gewone etenswaren kunnen op -18°C of lager goed worden bewaard. De temperatuur te laag instellen zorgt voor een hoger stroomverbruik. (Deze functie dient niet handmatig te worden ingesteld.)

De meest energiebesparende configuratie vereist dat de lade, de voedseldoos en de planken in nieuwstaat in het apparaat worden geplaatst en dat levensmiddelen zo worden geplaatst dat ze de uitlaat van het luchtkanaal niet blokkeren.

**Kinderslot:** Wanneer het scherm is ontgrendeld, drukt u op de A3-toets om de kinderslotfunctie te selecteren. Druk daarna op de A4-toets om de functie in te schakelen. Ontgrendelen: Raak een toets op het scherm aan. Het display en de knop voor het kinderslot worden verlicht. Druk op de A3-toets. De knop voor het kinderslot gaat knipperen. Druk op de A4-toets. Het scherm wordt ontgrendeld.

Wanneer het scherm is vergrendeld, is de A2-toets niet actief; enkel het pictogram van de kinderslotfunctie wordt geactiveerd wanneer de A3-toets wordt ingedrukt, de stroomfunctie van de A4-toets wordt vervolgens uitgeschakeld.

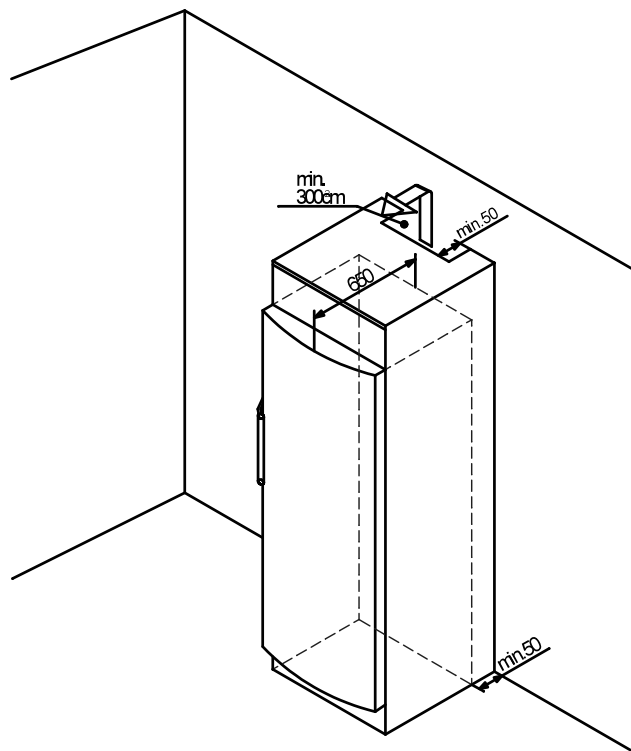
## Alarmsignalen

**TEMPERATUURALARM:** Als de temperatuur in de vriezer hoger is dan 0°C, dan klinkt er een onderbroken zoemsignaal en knippert lampje F om een temperatuuralarm aan te geven. Het scherm toont code HH. Druk nadat het scherm is ontgrendeld op de A3-toets om de alarmfunctie te kiezen. Druk daarna op de A4-toets. Het geluidssignaal kan worden uitgeschakeld, maar de alarmconditie blijft bestaan totdat de temperatuur lager is dan 0°C.

**DEURALARM:** Als de deur 60 seconden open blijft staan, dan wordt deze situatie aangegeven door het onderbroken zoemsignaal. De alarmconditie stopt wanneer de deur wordt gesloten of wanneer op een toets wordt gedrukt om de alarmfunctie te selecteren en daarna op de OK-toets wordt gedrukt. In het tweede geval wordt de alarmconditie echter herhaald als de deur na 120 seconden nog steeds open staat.

Controleer vervolgens het volgende: (1) Of de deur goed sluit en opent; (2) Of de deur vaak werd geopend of gedurende een lange tijd werd geopend; (3) Te veel voedsel tegelijkertijd in de vriezer is geplaatst; als bovenstaande omstandigheden aanwezig zijn, annuleer het alarm. Het weergegeven "HH" verdwijnt zodra de temperatuur binnenin de vriezer 0°C of lager is.

## Plaatsing in een rij keukenunits



Het apparaat kan worden geplaatst in een rij keukenunits. Om het apparaat te laten passen in de hoogte van de rij keukenunits kan een geschikte stapelkast worden toegevoegd. Als het apparaat in een rij standaard keukenunits wordt geplaatst (max. diepte 580 mm), dan kan het apparaat direct naast de keukenunit worden geïnstalleerd. De deur van het apparaat steekt, gezien vanuit de voorzijde van de keukenunit, 34 mm aan de zijkant en 55 mm in het midden van het apparaat uit. Hierdoor kan de deur perfect worden geopend en gesloten.

Voor een vrijstaand apparaat: dit koelapparaat is niet bedoeld om als inbouwapparaat te worden gebruikt

Belangrijk voor de ventilatie:

Aan de achterzijde van de stapelkast moet over de gehele breedte een ventilatieleiding met een diepte van minstens 50 mm zijn.

De ventilatieruimte onder het plafond moet minstens 300 cm<sup>2</sup> zijn.

Hoe groter de ventilatieruimte, hoe meer energiebesparing het apparaat biedt tijdens de werking.

Als het apparaat wordt geïnstalleerd met de scharnieren naast een muur, dan moet de afstand tussen het apparaat en de muur minstens 55 mm zijn. Dit correspondeert met de positie van de hendel wanneer de deur open staat.

## Gebruiks informatie

### 1. OPENING VAN DEKSEL

Open de bovendeckels door ze iets op te tillen en binnenstebuiten te draaien.

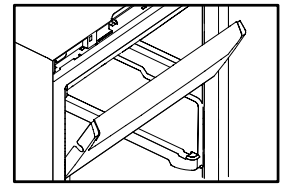
Open het deksel om voedsel in de lade te plaatsen.

Sluit het deksel om contact met de deur te vermijden.

Het deksel kan worden verwijderd om de opslagruimte te vergroten.

OPMERKING: twee lagen in het bovenste deel zijn voorzien van een afdekking. Plaats geen voedsel op het voorste deel van de glasplaat, de afdekkingen sluiten dan mogelijk niet meer volledig. Is dit wel het geval? Verplaats het voedsel dan dusdanig dat de afdekkingen wel volledig kunnen worden gesloten.

Waarschuwing: controleer voor u de deur sluit of de afdekkingen volledig zijn gesloten. Sluit de deur pas nadat alle afdekkingen volledig zijn gesloten om druk op de afdekkingen te voorkomen.



### 2. LADEN VERWIJDEREN

Trek de laden volledig uit en til ze iets op om ze te verwijderen.

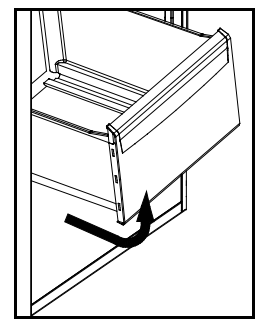
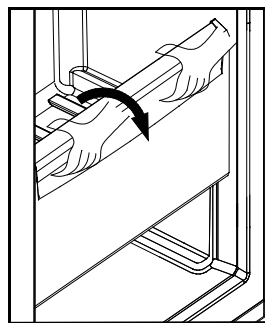
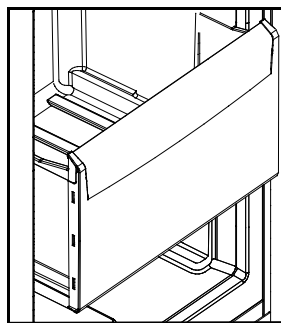
Laden (behalve de onderste lade) kunnen worden verwijderd om meer opslagruimte te krijgen.

Voor sommige modellen zijn schuiven (rails) beschikbaar.

### 3. SUPEROPSLAGLADE

Trek de superopslaglade volledig uit. Til de lade op en trek deze uit de uitschuifbare geleiders.

OPMERKING: bepaalde modellen lades zijn voorzien van een schuifstelsel. De lade op de juiste wijze verwijderen: neem het voedsel uit de lade en duw vervolgens de lade helemaal dicht. Til vervolgens de achterkant op en til de lade uit het apparaat. Til de lade pas op als deze is vergrendeld. Pas dan kan de lade eenvoudig worden verwijderd. Lukt dit niet, duw dan de lade weer helemaal dicht en voer de stappen opnieuw uit.

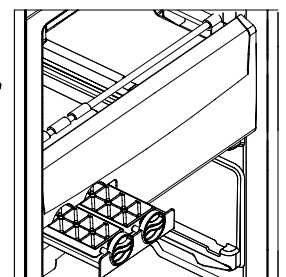
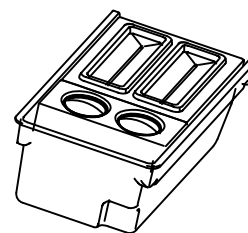


### 4. PRODUCTIE VAN IJSBLOKJES

Sommige modellen zijn voorzien van een ijssysteem met ijsblokkbakjes, een verwijderingsapparaat en een opvangbak.

A

B



### 5. Verwijder de ijsblokkbakjes

Reinig en vul met water. Plaats ijsblokkbakjes terug op de steun.

Wacht enkele uren totdat het ijs klaar is en draai aan de knop om de ijsblokjes eruit te halen.

De ijsblokjes vallen direct in de opvangbak.

6. In vakken in de deur kunnen verpakte pizza's met een dikte tot 30 mm of andere soorten verpakt voedsel worden bewaard.

Voor sommige modellen zijn koude-accumulators beschikbaar. U kunt ook koude-accumulators kopen en deze in de vriezer plaatsen. De dikte hiervan mag niet meer zijn dan 30 mm.

I Omkeerbaarheid van de deur:  
deur van rechts verwijderen (①&②).  
(De grafische vertegenwoordiging in instructieboekje  
duurt pagina.)

## ① (cijfer ①)

### 1、

#### 1.1

Verwijder de scharnierkap aan de rechterkant met behulp van een platkopschroevendraaier. Maak vervolgens de aansluitklem die met de bovenkant van het scharnier is verbonden los.

#### 1.2

Maak de scharnierschroeven los met behulp van een kruiskopschroevendraaier. Verwijder het bovenste scharnier.

#### 1.3

Breng het deurgedeelte omhoog om te verwijderen.

### 2、

#### 2.1

Haal de kleine kap aan de linkerkant van de kast af met behulp van een platkopschroevendraaier. Installeer deze in de opening aan de rechterkant van de kast.

#### 2.2

Verwijder de afdekplaat vooraan de kast en trek vervolgens de signaaldraad naar de linkerkant van de kast.

#### 2.3

Breng de signaaldraad in de groef in de voorste afdekplaat en bevestig deze met de voorste afdekplaat.

### 3、

#### 3.1

Verwijder de aslager van het scharnier op de rechterkant en de kap op de linkerkant van de deur.

#### 3.2

Druk de signaaldraad op de rechterkant van de deur in de groef in de sierstrip en sluit de kap.

#### 3.3

Trek de signaaldraad uit de groef in de linkerkant van de deur en duw deze in de aslager van het scharnier, breng vervolgens in de sierstrip.

### 4、

#### 4.1

Haal de metalen kruisvormige stopper op de rechterkant van het deurgedeelte af en installeer deze in de overeenkomstige positie op de linkerkant van het deurgedeelte.



Sluit de stroomkabel af en maak het apparaat leeg voordat u met deze bewerking begint.

#### 4.2

Verwijder het onderste scharnier met behulp van een kruiskopschroevendraaier.

### 5、

A. Gebruik sleutels of tangen om de pen van het scharnier te verwijderen en steek deze in het gat aan de linkerkant van de scharnier.

B. Gebruik een kruiskopschroevendraaier om de schroeven uit de linkerkant van de behuizing van de kast te halen, en bevestig deze schroeven aan de rechterkant van de kast. Bevestig de onderste scharnier aan de linkerkant.

### 6、

#### 6.1

Installeer het deurgedeelte op de as van het vakgedeelte.

### 7、

#### 7.1

Haal het extra scharnier en scharnierkap uit de vrieslade en steek het afgehaald scharnier met de scharnierkap in een tas alvorens op te bergen.

#### 7.2

Breng het scharnier in de opening op de linkerkant van het deurgedeelte, maak het scharnier vervolgens vast met de schroeven en aard deze door sluitringen onder de schroeven te plaatsen.

#### 7.3

Verbind de aansluitklemmen op de kast met de aansluitklemmen op het deurgedeelte en bevestig vervolgens de scharnierkap.

## ②(cijfer ②)

1

- A. Open de deur
- B. Duw omlaag om de twee kleine deksels aan respectievelijk de linker- en rechterkant te verwijderen
- C. Wrik het voordeksel naar buiten

2

- A. Verwijder het kleine deksel aan de rechterkant van de behuizing van de deur met een schroevendraaier
- B. Verwijder de sierstroken door met een schroevendraaier naar binnen te wrikken

3

- A. Maak scharnierschroeven los met een kruiskopschroevendraaier. Verwijder het bovenste scharnier
- B. Koppel de kabelaansluiting los

4

- A. Beweeg de behuizing van de deur naar boven om deze te verwijderen
- B. Verwijder het onderste scharnier met een kruiskopschroevendraaier

5

- A. Gebruik sleutels of tangen om de pen van het scharnier te verwijderen en steek deze in het gat aan de linkerkant van de scharnier.
- B. Gebruik een kruiskopschroevendraaier om de schroeven uit de linkerzijde van de behuizing van de kast te halen, en bevestig deze schroeven aan de rechterzijde van de kast. Bevestig de onderste scharnier aan de linkerzijde.

6

- A. Gebruik een platkopschroevendraaier om de schroefplug aan de rechterkant van de behuizing van de deur los te wrikken.
- B. Verwijder de pen van het bovenste scharnier en bevestig deze omgekeerd aan het scharnier. Verplaats de schroefplug naar de linkerzijde en steek deze in het schroefgat.

7

- A. Sluit de signaallijn in de sierstrip aan op de verbinding in het scharnier. Berg de stroomdraad goed op en plaats deze in het deksel van de sierstrook.
- B. Bevestig de sierstrook en maak het kleine deksel vast aan de rechterkant.
- C. Sluit het bovenste voordeksel van de kast. Plaats de kleine linker- en rechterdeksels in de groef.

## II

Aanwijzingen voor vervanging van de hendel:  
volgens de verschillende configuraties (de  
illustratie wijkt af).

Hulphendel: (cijfer.1&2)

- A. Wrik het deksel van de hendel los met een schroevendraaier. Verwijder de twee schroeven en vervolgens de hendel.
- B. Gebruik een schroevendraaier om de schroefplug aan de rechterkant van de behuizing van de deur los te wrikken. Verplaats de schroefplug naar de linkerzijde en steek deze in het schroefgat. Plaats de hendel aan de rechterzijde en bedek deze.

Gewone hendel: (cijfer.3)

- A. Wrik het deksel van de hendel los met een schroevendraaier. Verwijder de twee schroeven en vervolgens de hendel.
- B. Gebruik een schroevendraaier om de schroefplug aan de rechterkant van de behuizing van de deur los te wrikken. Verplaats de schroefplug naar de linkerzijde en steek deze in het schroefgat.
- C. Plaats de hendel aan de rechterzijde en bedek deze.

# ONDERHOUD

## Ontdooien en reinigen

DE VRIEZER ONTDOOIEN: de vriezer wordt automatisch ontdooid. Er is geen handmatige tussenkomst vereist.

REINIGEN: het apparaat moet regelmatig worden gereinigd om geur van etenswaren te voorkomen.

Sluit de stroomkabel af voordat u de vriezer reinigt.

Reinig de vriezer met een zachte doek of een spons met warm water (eventueel met een mild reinigingsmiddel).

Droog waterdruppels op het oppervlak af met een droge doek.

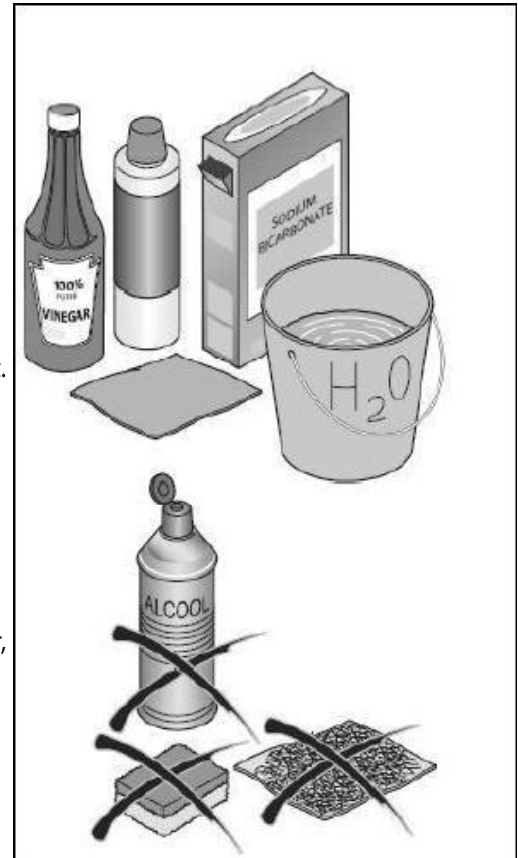
Houd de pakking van de deur altijd schoon.

**⚠** De vriezer is zeer zwaar. Let er bij het verplaatsen van het apparaat voor reiniging of reparatie op dat u de vloer niet beschadigt. Houd de vriezer rechtop tijdens het verplaatsen. Verplaats de vriezer niet door te kantelen om schade aan de vloer te voorkomen.

**⚠** Bespuit de vriezer niet met water en gebruik geen water om de vriezer door te spoelen om schade aan de elektrische isolatie te voorkomen.

**⚠** Reinig niet met een harde borstel, staalborstel, reinigingspoeder, benzine, pentylacetaat, aceton en vergelijkbare organische oplossingen, of oplossingen met warm water of zuur of basen.

**⚠** Gebruik een droge doek bij het reinigen van het scherm en andere elektrische onderdelen.



## Als het apparaat niet wordt gebruikt

Als het apparaat voor een langdurige periode niet zal worden gebruikt, sluit dan de stroomkabel af en reinig het met een van de hierboven beschreven methodes.

Laat de deur van de vriezer open staan om te voorkomen dat voedselresten in het vak onaangename geuren produceren.

**⚠** Voor een optimale levensduur van het apparaat wordt aanbevolen het apparaat niet uit te schakelen tenzij dit nodig is.

## De vriezer verplaatsen

Verwijder de stekker en zet het apparaat uit.

Verwijder al het voedsel uit de vriezer.

Bevestig lades en andere bewegende onderdelen van de vriezer met plakband.

Sluit de deur en bevestig deze met plakband zodat deze niet worden geopend bij verplaatsingen.

Kantel de vriezer niet meer dan 45 graden wanneer deze wordt verplaatst, zodat het koelsysteem niet wordt beschadigd.

Wikkel iets om de stelootjes van de vriezer om krassen op de vloer te voorkomen. Gebruik nooit overmatige kracht bij het verplaatsen van de vriezer. Verplaats de vriezer niet door aan de hendel, het deksel of de buizen te trekken om schade en persoonlijk letsel te voorkomen.

**⚠** Leg de vriezer nooit horizontaal neer.

# PROBLEMEN OPLOSSEN

Lees de volgende probleemoplossingstabel voordat u belt voor service. Dit kan u zowel tijd als geld besparen. De tabel noemt veelvoorkomende problemen, behalve problemen die worden veroorzaakt door productie- of materiaaldefecten in de vriezer.

PROBLEMEN	OORZAKEN	OPLOSSING
<b>Werking van vriezer</b>		
De compressor werkt niet	Het product bevindt zich in een ontdooiingscyclus. De vriezer is niet aangesloten op een stopcontact. Het product is uitgeschakeld.	<input type="checkbox"/> Dit is normaal voor een automatisch ontdooiende vriezer. <input type="checkbox"/> Kijk of de stekker, het stopcontact of de zekering is beschadigd. Zet het apparaat aan wanneer deze onderdelen in goede conditie zijn. <input type="checkbox"/> Druk op de power-toets om de vriezer weer op te starten.
De vriezer gaat vaak of voor lange tijd aan	De binnen- of buitentemperatuur is te hoog. <input type="checkbox"/> De vriezer is enige tijd uitgeschakeld geweest. <input type="checkbox"/> De deur wordt te vaak of te lang geopend. <input type="checkbox"/> De deur van de vriezer wordt niet stevig gesloten. <input type="checkbox"/> De temperatuurinstelling is te laag. <input type="checkbox"/> De pakking van de deur is vervuild, versleten of beschadigd of past niet goed. <input type="checkbox"/> De condensator is vervuild.	<input type="checkbox"/> In dit geval is het normaal dat de vriezer voor langere tijd werkt. <input type="checkbox"/> Normaal gesproken duurt het 8 tot 12 uur voordat de vriezer volledig is afgekoeld. <input type="checkbox"/> Warme lucht komt de vriezer binnen, waardoor deze vaak aanslaat. Open de deur niet te vaak. <input type="checkbox"/> Zorg dat de vriezer zich op een vlakke ondergrond bevindt en dat de deur niet wordt geblokkeerd door voedsel of verpakking. <input type="checkbox"/> Stel een hogere temperatuur in totdat de gewenste vriezertemperatuur is bereikt. Het bereiken van de vriezertemperatuur duurt 24 uur. <input type="checkbox"/> Reinig en vervang de deuropakking. Een lekkage of opening in de deuropakking kan ertoe leiden dat de vriezer langer werkt om de gewenste temperatuur te behouden. <input type="checkbox"/> Reinig de condensator.
<b>Te hoge temperatuur</b>		
Te hoge temperatuur in het product	De deur wordt te vaak of te lang per keer geopend. <input type="checkbox"/> De temperatuur is te hoog ingesteld. <input type="checkbox"/> De deur is niet goed gesloten. <input type="checkbox"/> De condensator is vervuild.	Er komt warme lucht in de vriezer wanneer de deur wordt geopend. Probeer de deur zo weinig mogelijk te openen. <input type="checkbox"/> Stel de temperatuur opnieuw in. <input type="checkbox"/> Zorg dat de vriezer zich op een vlakke ondergrond bevindt en dat de deur niet wordt geblokkeerd door voedsel of verpakking. <input type="checkbox"/> Reinig de condensator.
<b>Water / vocht / aanvriezing aan de buitenkant van de vriezer</b>		
Er hoopt zich vocht op op het buitenste oppervlak van de vriezer	<input type="checkbox"/> Vochtig klimaat. <input type="checkbox"/> De deur is niet goed gesloten. Dit leidt ertoe dat koude lucht in de vriezer en de warme lucht erbuiten condenseert.	Dit is normaal in een vochtig klimaat. Het vocht neemt af wanneer de luchtvochtigheid afneemt. <input type="checkbox"/> Zorg ervoor dat de ondergrond vlak is en dat er geen etenswaren of verpakkingen uit steken. Sluit de deur stevig.

# PROBLEMEN OPLOSSEN

PROBLEMEN	OORZAKEN	OPLOSSING
<b>Onprettige geuren in de vriezer</b>		
De binnenkant van de vriezer is niet schoon	De binnenkant van de vriezer moet worden gereinigd. □ Er ligt sterk ruikend voedsel in de vriezer.	Maak de binnenkant van de vriezer schoon. (Zie Ontdooien en reinigen) □ Controleer of het voedsel is bedorven. Verwijder sterk ruikend bedorven voedsel uit de vriezer.
<b>U hoort</b>		
piepsignalen	De deur van de vriezer staat open. □ De temperatuur van de vriezer is te hoog ingesteld. □ Sommige onderdelen kunnen beschadigd zijn.	Sluit de deur of schakel het alarm handmatig uit. □ Het alarm is normaal wanneer het apparaat voor het eerst wordt ingeschakeld of wanneer er voor het eerst voedsel wordt bewaard. U kunt het alarm handmatig uitschakelen. □ Neem contact op met het servicecentrum.
ongewoon geluid	De vriezer bevindt zich niet op een vlakke ondergrond. □ De vriezer raakt voorwerpen eromheen aan.	Pas de stelvoetjes aan om de vriezer waterpas te maken. □ Verwijder objecten eromheen.
zacht geluid dat op stromend water lijkt	Dit is het geluid van het koelsysteem.	Dit is normaal.
De kast wordt warm	Het koelsysteem werkt.	Dit voorkomt condensatie en is normaal.

## Naamplaat

De naamplaat bevindt zich binnenin het vriezercompartiment aan de onderkant van de linkerzijde. De naamplaat bevat belangrijke informatie over het apparaat. Deze moet intact worden gelaten en mag niet worden verwijderd.

De capaciteit en het stroomverbruik die op de naamplaat worden genoemd zijn onderhevig aan de relevante normen.

Raadpleeg voor specificatiegegevens het typeplaatje en energielabel in het product.

Dit apparaat is bedoeld voor gebruik bij de hieronder aangegeven omgevingstemperatuur:

SN	+ 10°C~+32°C
N	+ 16°C~+32°C
ST	+ 16°C~+38°C
T	+ 16°C~+43°C

Minimumgarantie is: 2 jaar voor EU-landen, 3 jaar voor Turkije, 1 jaar voor het Verenigd Koninkrijk, 1 jaar voor Rusland, 3 jaar voor Zweden, 2 jaar voor Servië, 5 jaar voor Noorwegen, 1 jaar voor Marokko, 6 maanden voor Algerije, Tunesië geen wettelijke garantie vereist.

Thermostaten, temperatuursensoren, printplaten en lichtbronnen zijn beschikbaar voor een minimumperiode van zeven jaar na het op de markt brengen van de laatste eenheid van het model. Deurgrepen, deurscharnieren, trays en manden voor een periode van minimaal zeven jaar en deurrubbers voor een periode van minimaal 10 jaar, na het op de markt brengen van de laatste eenheid van het model.

Děkujeme za zakoupení výrobku společnosti Haier.

Než začnete zařízení používat, přečtěte si důkladně tyto pokyny. Tyto pokyny obsahují důležité informace, které vám pomohou maximálně využít možnosti zařízení a zajistit jeho bezpečnou a správnou instalaci, používání a údržbu.

Tuto příručku uschovejte na vhodném místě, abyste ji měli vždy k dispozici pro ověření bezpečného a správného použití zařízení.

Pokud zařízení prodáte, věnujete nebo ponecháte při stěhování na původním místě, předejte se zařízením i tuto příručku, aby se mohl nový majitel seznámit s jeho funkcí a bezpečnostními pokyny.

# REJSTŘÍK

UPOZORNĚNÍ.....	3
PŘED POUŽITÍM .....	6
FUNKCE.....	8
ÚDRŽBA .....	14
ODSTRAŇOVÁNÍ PROBLÉMŮ .....	15

# UPOZORNĚNÍ

## Legenda

- ⚠ Pozor
- ⚠ Upozornění
- ⊘ Zákaz

## Likvidace

Přítomnost tohoto symbolu na produktu, příslušenství či materiálech, k nimž náleží tyto informace, znamená, že na konci životnosti se výrobek či jeho elektrické příslušenství (např. nabíječka, sluchátka, kabel USB) nesmí likvidovat společně s jiným odpadem z domácnosti.

Aby se zabránilo možné škodě na životním prostředí či lidském zdraví způsobené nekontrolovanou likvidací odpadu, separujte tyto předměty od jiných typů odpadu a recyklujte je. Tím zajistíte šetrné opakované použití materiálních zdrojů.

Spotřebitelé by se měli obrátit buď na maloobchod, ve kterém výrobek zakoupili, nebo na příslušné místní úřady, které jim sdělí, jak mohou zajistit bezpečnou recyklaci neohrožující životní prostředí. Komerční uživatelé by se měli obrátit na svého dodavatele a řídit se podmínkami prodeje. Tento výrobek včetně elektronického příslušenství by neměl být likvidován s jiným komerčním odpadem.



## Před použitím...

⚠ Toto zařízení využívá napájení střídavým elektrickým proudem.

Zařízení připojujte k normálnímu napětí. V případě kolísání napětí se zařízení nemusí rozběhnout, může dojít k poškození ovládací teploty či kompresoru, případně může být zařízení nadměrně hlučné. V takovém případě použijte vhodný stabilizátor napětí.

⚠ Je nutné použít zásuvku se zdířkami pro tři vodiče.

V každém případě zajistěte, aby byla zásuvka připojena k uzemňovacímu vodiči a neprovádějte žádné úpravy napájecího kabelu a zástrčky. Zástrčku napájecího kabelu je nutné zapojit do zásuvky pevně, jinak může způsobit požár. Po instalaci zařízení je nutné zajistit snadný přístup k zásuvce, aby bylo možné ji v případě nehody kdykoliv odpojit.

⊘ Nepoškozujte napájecí kabel.

Při odpojování zástrčky netahejte za napájecí kabel. Uchopte přímo zástrčku a odpojte ji ze zásuvky. Tělo zařízení nesmí tlačit na napájecí kabel a především na kabelu NESMÍ stát.

⊘ Pokud se napájecí kabel poškodí:

Pokud je napájecí kabel poškozený nebo zástrčka opotřebovaná, nepoužívejte je. Opotřebovaný či poškozený napájecí kabel je třeba nahradit za nový u poskytovatele servisu stanoveného výrobcem nebo kvalifikovaným pracovníkem. Pokud je potřeba delší napájecí kabel, nesmí být plocha průřezu přidaného napájecího kabelu menší než 0,75 mm<sup>2</sup>.

⚠ Větrací otvory v krytu nebo ve vnitřní konstrukci zařízení nesmí být zakryté.

⚠ V případě úniku hořlavého plynu, například zemního plynu:

Zavřete ventil, kterým plyn uniká. Otevřete dveře a okna. **NEODPOJUJTE ANI NEZAPOJUJTE** toto ani jiná elektrická zařízení.

⚠ Pozor na omrzliny

Během provozu se nedotýkejte vnitřních povrchů skladovacího prostoru mrazničky, především pokud máte mokré ruce, protože může dojít k jejich přimrznutí k povrchu.

# UPOZORNĚNÍ

## ⚠ Pokud se zařízení přestane používat:

Chraňte zařízení před ohněm, aby nedošlo k nehodám. Odmontujte dveře zařízení (otevřete dveře a přidržte je, než odstraníte šrouby), aby do zařízení nemohly vlézt děti a způsobit nehodu. Odešlete zařízení na určené místo likvidace.

## ⚠ Dveře otevírejte pomocí rukojeti.

## ⚠ Neskladujte v blízkosti mrazničky benzín a jiné hořlavé látky, aby nedošlo k požáru.

## ⚠ Nikdy v mrazničce neskladujte hořlaviny, výbušniny či silně žíravé kyseliny, louhy a jiné chemikálie.

## ⚠ Nikdy v mrazničce neskladujte pivo či nápoje v láhvích, protože při zmrazování praskají.

## ⚠ V prostorech pro skladování jídla v zařízení nepoužívejte elektrická zařízení, pokud se nejedná o typ doporučený výrobcem.

## ⚠ Dávejte pozor na své děti

## ⚠ Pokud se poškodí osvětlovací žárovky, výměnu musí provést výrobce nebo kvalifikovaná osoba pracující pro stanoveného poskytovatele údržby.



## ⚠ Pozor na vodu

Nestříkejte na mrazničku vodu ani ji s ní neoplachujte. Neumísťujte mrazničku na vlhká místa nebo místa, na které může snadno stříkat voda, aby nedošlo k narušení elektrické izolace zařízení nebo dokonce k elektrickému šoku či požáru.

## ⚠ Nepoškozujte chladicí okruh

Demontáž a úpravy mrazničky musí být předem schváleny. Jakýkoliv prudký pohyb mrazničky může způsobit poškození chladicího potrubí. Opravu zařízení musí provádět profesionální personál.

## ⚠ Napájecí zástrčku odpojte v následujících případech:

Před čištěním a prováděním údržby nebo v případě poruchy zařízení či výpadku napájení odpojte napájecí zástrčku mrazničky. Pokud jste zařízení odpojili, vyčkejte 5 minut před opakovaným spuštěním, protože časté spouštění může poškodit kompresor.

## ⚠ Tato mraznička je domácím zařízením určeným pouze pro skladování potravin. Neskladujte v zařízení krev, léky, biologické produkty či jiné produkty.

## ⚠ Větrací otvory v krytu nebo ve vnitřní konstrukci zařízení nesmí být zakryté.

Toto zařízení není určeno pro použití osobami (včetně dětí) se sníženými fyzickými, smyslovými nebo psychickými schopnostmi nebo nedostatečnými zkušenostmi a znalostmi, pokud nejsou pod dozorem nebo nebyly instruovány o použití zařízení osobou odpovědnou za jejich bezpečnost.

Toto zařízení je určeno pro použití v domácnosti a na podobných místech, např.

- v kuchyňkách pro zaměstnance v obchodech, na úřadech a v ostatních pracovních prostředích;
- farmách a klienty v hotelech, motelech a dalších ubytovacích zařízeních;
- v ubytovacích zařízeních typu „bed and breakfast“;
- pro catering a podobné neobchodní účely.

## Tipy pro šetření energie

Umístěte zařízení do chladné, suché místnosti s přiměřeným větráním.

Při instalaci zařízení je potřeba ponechat mezeru minimálně 10 cm nad mrazničkou a po jejích stranách, aby se kolem mrazničky zajistilo přiměřené větrání.

Teplé potraviny nechte před umístěním do zařízení vychladnout.

Při vkládání či vyjímání potravin nenechávejte dveře zařízení otevřené příliš dlouho. Čím kratší dobu budou dveře otevřené, tím méně námrazy se v mrazničce vytvoří.

Pravidelně čistěte zadní stěnu mrazničky. Prach zvyšuje spotřebu energie.

Nenastavujte teplotu na nižší hodnotu, než je nutné.

Nezakrývejte ventilační otvory.

# UPOZORNĚNÍ

## Zmrazení a skladování čerstvých potravin

Potraviny by se měly skladovat tak, aby mezi nimi byl prostor, což je výhodné z hlediska mrazicího cyklu. Potraviny by se měly skladovat podle kategorií, aby je bylo možné snadněji najít.

Před skladováním v mrazničce je vhodné potraviny dobře neprodyšně uzavřít, aby nedocházelo ke ztrátě vody a šíření zápachu.

Balení potravin před umístěním do mrazničky ale není povinné. Vnější strana balení musí být suchá, aby nedošlo ke slepení sáčků k sobě. Balicí materiály by měly být bez zápachu, vzduchotěsné a nejedovaté.

U každé porce doporučujeme poznačit následující informace:

- Název potraviny
- Hmotnost porce
- Množství (počet kusů)
- Datum zmrazení
- Koncové datum maximální doby skladování

Maximální doby skladování běžných potravin naleznete na diagramu uvnitř mrazničky:



- Dušené směsi, zmrzlina, párky, chleba
- Ryby, krevety, jehněčí, maso
- Zelenina, ovoce, drůbež, hovězí

Potraviny by měly být čerstvé, zralé a v dobré kvalitě.

Čerstvou zeleninu a ovoce je nutné zmrazit, je-li to možné, okamžitě po sklizni – jen tak dojde k uchování maximálního množství živin, vzhledu, textury, barvy a chuti.

V případě masa a zvěřiny je vhodné před zmrazením maso zavěsit a nechat jej dostatečnou dobu vyžrát.

Teplé potraviny je třeba před vložením do mrazničky nechat ochladit na pokojovou teplotu.

**!** Z mrazničky vybírejte jen potřebné množství potravin. Rozmražené jídlo, pokud se nejprve znovu tepelně nezpracuje, není možné opětovně zmrazit, jinak již nemusí být požitelné.

Zabraňte přímému kontaktu čerstvých potravin s hluboko zmrazenými potravinami. Hluboko zmrazené potraviny by se mohly rozmrazit, čímž by se zkrátila předpokládaná doba skladování.

Dobrého zmrazení dosáhnete použitím funkce rychlého mrazení (viz kapitola o funkcích) 2 hodiny před uložením čerstvých potravin.

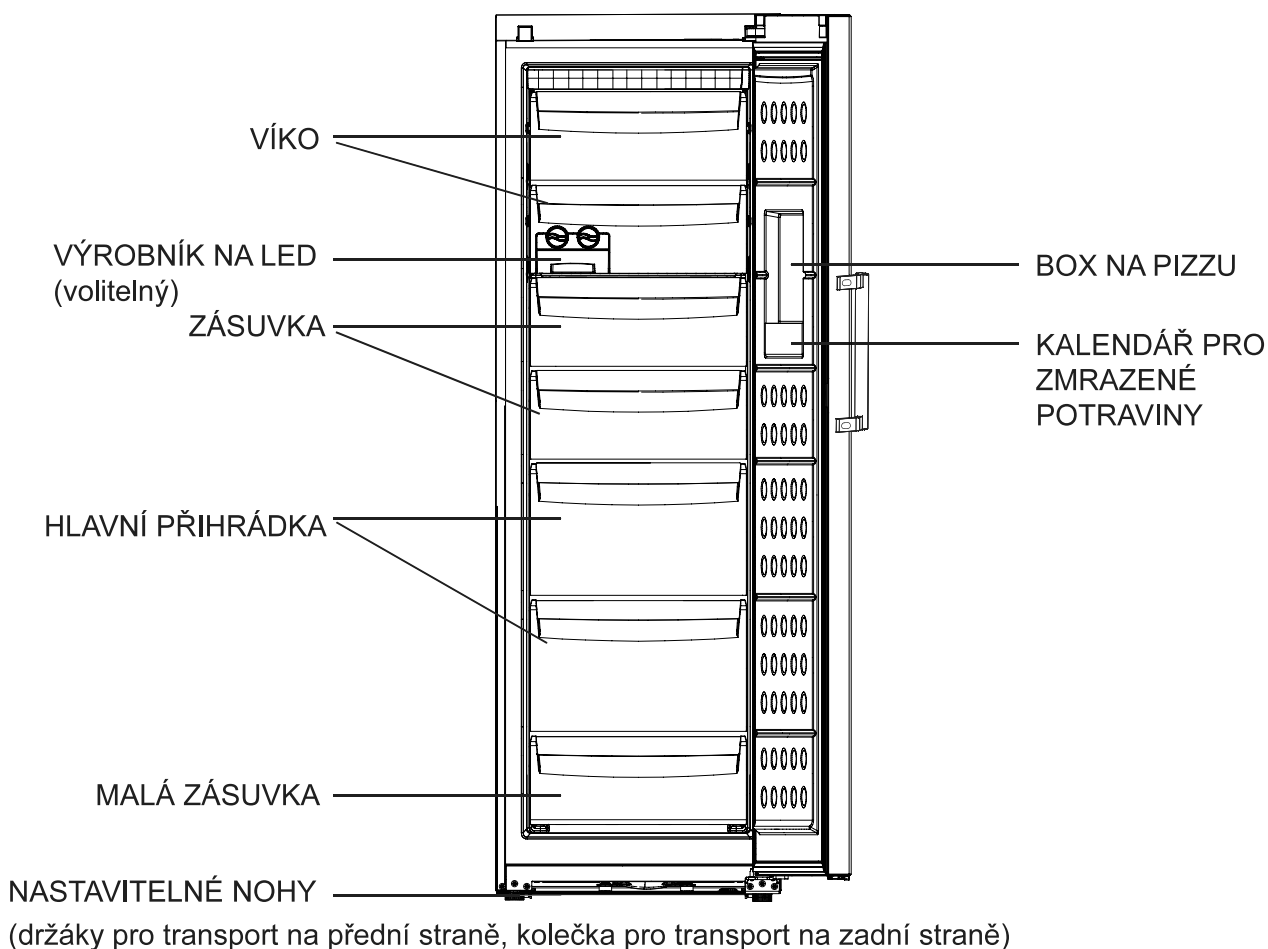
**!** Nevkládejte do mrazničky nadměrné množství čerstvých potravin. Lepší je dodržovat mrazicí kapacitu mrazničky.

Doba trvání procesu mrazení je obvykle do 24 hodin. Po uplynutí této doby se funkce automaticky ukončí. Při zmrazování malého množství potravin je možné funkci ukončit ručně po několika hodinách, aby nedocházelo ke zbytečné spotřebě energie.

# PŘED POUŽITÍM

## Popis

Tento náčrt se může mírně lišit od konstrukce mrazničky, kterou jste zakoupili.



Velké zásuvky, hlavní přihrádky a malou zásuvku je možné vyjmout, a zvětšit tak skladovací prostor mrazničky.

Různé potraviny by se měly ukládat na různá místa podle jejich vlastností

POKLOP, MALÁ ZÁSUVKA:	máslo, sýry, syrové čerstvé potraviny atd.
ZÁSUVKA:	masné výrobky, přesnídávky, nakládané potraviny atd.
SUPER STORE:	konzervy, tofu, mléčné výrobky, těstoviny atd.

Pro spotřebiče bez čtyřhvězdičkového prostoru: tento chladicí spotřebič není vhodný ke zmrazování potravin.

Chcete-li další informace o výrobku, navštivte stránky <https://eprel.ec.europa.eu/> nebo naskenujte kód QR na energetickém štítku dodaném se spotřebičem.

Chcete-li kontaktovat technickou pomoc, navštivte naše webové stránky:

<https://corporate.haier-europe.com/en/>

V části „Websites“ zvolte značku vašeho výrobku a vaši zemi.

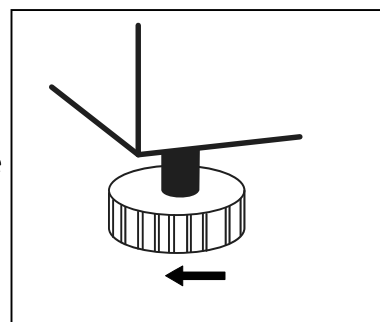
Budete přeměrováni na konkrétní webovou stránku, kde najdete telefonní číslo a kontaktní formulář technické pomoci.

Poznámka: Tento výrobek obsahuje světelný zdroj s třídou energetické účinnosti <G>.

# PŘED POUŽITÍM

## Místo pro umístění

Mrazničku je třeba umístit na rovný a pevný povrch. Pokud se zařízení umísťuje na podstavec, je nutné použít rovný a pevný materiál odolný proti ohni. Nikdy jako podstavec nepoužívejte balicí pěnový materiál. Pokud je mraznička mírně nestabilní, můžete prodloužit či zkrátit nastavitelné nožky mrazničky tak, že jejich otáčením po směru či proti směru hodinových ručiček zvyšujete či snižujete výšku mrazničky. Neumísťujte mrazničku na místo s přímým slunečním svitem nebo na místo, kde bude vystavena teplu, aby byl zaručen její dostatečný výkon. Nainstalujte zařízení na dobře větrané místo a nad mrazničkou a po jejích stranách ponechte mezeru minimálně 10 cm.



Nikdy mrazničku neumísťujte do vlhkého prostředí nebo na místo, kde ji může postříkat voda. Jakoukoliv vodu a skvrny včas vyčistěte a vysušte měkkým hadříkem, aby se zabránilo rezavění.

Neumísťujte mrazničku na místo, kde je příliš nízká teplota (pod 5 °C). Nenechávejte mrazničku ve venkovním prostředí nebo na dešti.

## Příprava před použitím

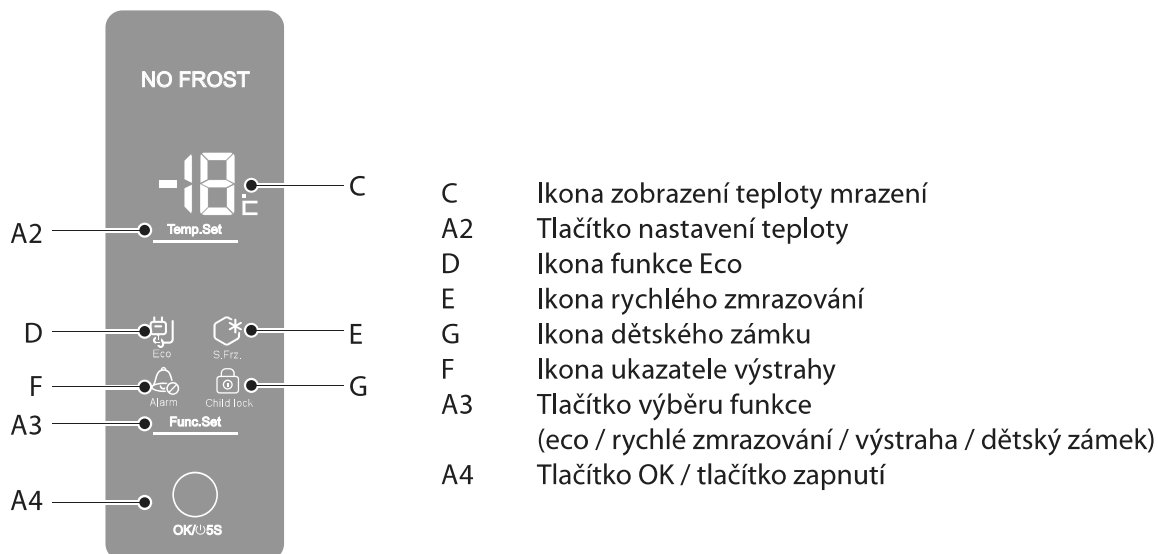
Odstraňte všechny součásti balení, pěnovou základnu a příslušenství přichycené lepicí páskou. Umísťte mrazničku na vhodné místo (viz část Místo pro umístění).

Před použitím vyčistěte vnitřek i vnější stěny mrazničky (viz část Odmrazování a čištění)

Po vyrovnání a vyčištění zařízení ho po dobu minimálně 6 hodin nezapínejte, aby se zajistil normální chod.

# FUNKCE

## Ovládací panel



## První spuštění

Upozornění: Alarm vysoké teploty nebude znít při prvním zapnutí mrazničky. Zazní až po 3 hodinách v případě, že mraznička není ochlazená pod 0°C.

Zasunutím zástrčky do zásuvky mrazničku zapnete. Síť C v tuto chvíli ukazuje skutečnou teplotu uvnitř mrazničky.

Kontrolka výstrahy F a zvukový signál značí, že teplota uvnitř mrazničky není dostatečně nízká pro skladování potravin. Stisknutím tlačítka A3 vyberte funkci „Alarm“ a poté stisknutím tlačítka A4 vypněte zvukový signál. Výstražná kontrolka ale zůstane svítit, dokud mraznička nedosáhne teploty 0°C. Až se na displeji zobrazí teplota 0°C, ukončí se automaticky stav výstrahy a mraznička bude opět připravená na skladování potravin.

### Kontrola ovládacího panelu:

Stiskněte libovolné tlačítko na obrazovce displeje a zkontrolujte, jestli je možné rozsvítit oblast teploty a vybranou ikonu.

### Nastavení teploty:

Teplotu nastavíte stisknutím tlačítka A2. Při nastavování teploty ukazují dvě čísla na displeji bod nastavený v režimu rychlého zmrazování. Další stisknutí tohoto tlačítka upraví nastavený bod v režimu cyklování a snižování v rozmezí od -14 °C to -26 °C.

Pokud se do 5 sekund neprovede žádná akce s tlačítkem OK, nastavený bod se uloží automaticky.

Po nastavení teploty se dvě čísla na displeji vrátí zpět k zobrazení teploty v mrazničce.

Teplota nastavená výrobcem je -18 °C. Doporučujeme použít výchozí nastavení, není potřeba je upravovat.

### Funkce zapínání:

Stisknutím tlačítka A4 na 5 sekund se mraznička vypne; stejným úkonem se poté zase zapne.

**⚠** Před čištěním nezapomeňte zařízení odpojit od přívodu proudu vytažením zástrčky – nestačí zařízení vypnout stisknutím tlačítka vypínání.

# FUNKCE

## Funkce mrazničky

**RYCHLÉ ZMRAZENÍ:** Stisknutím tlačítka A3 zvolte funkci „S.FRZ“, a poté stisknutím tlačítka A4 aktivujte rychlé zmrazení čerstvých potravin.

Vyhrazená kontrolka E se rozsvítí a signalizuje tak, že je funkce zapnutá a dosáhlo se aktivace funkce. Kontrolka zůstane svítit, dokud se funkce neukončí.

Pokud chcete naráz zmrazovat velké množství potravin, doporučuje se tuto funkci aktivovat 30 hodin před vložením potravin. Funkce se ukončí automaticky po 56 hodinách, nebo ručním vypnutím. Když je tato funkce zapnutá, spotřeba energie se zvýší.

**FUNKCE ECO:** Při odemknuté obrazovce stisknutím tlačítka A3 vyberte funkci „ECO“. Poté stisknutím tlačítka A4 můžete aktivovat funkci úspory energie a nastavit teplotu v rozsahu -18 °C a -14 °C. Pokud byla teplota nastavena na -19 °C nebo nižší, nastaví se při zapnutí funkce ECO automaticky na -18 °C.

Pokud je funkce aktivovaná, bude svítit kontrolka D, dokud funkce nebude vypnuta.

Stisknutím tlačítka A3 je možné zvolit funkci „ECO“ a poté ji stisknutím tlačítka A4 zase vypnout.

Funkci ECO a rychlé zmrazování není možné použít současně.

**FUNKCE ECO 2:** Pokud je teplota nastavená na rozsah -23 °C až -26 °C, pak poté, co mraznička běží po dobu 56 hodin, automaticky se nastaví na -22 °C, aby se šetřila energie a účinně se uchovály potraviny. Běžné potraviny je možné účinně uchovávat při teplotě -18 °C nebo nižší, přičemž nastavení příliš nízké teploty zvyšuje spotřebu elektřiny. (Tuto funkci není nutné nastavovat ručně.)

Energeticky nejúspornější konfigurace vyžaduje, aby byly ve spotřebiči nainstalovány přihrádky, schránka na potraviny a police ve stavu jako z výroby a aby uložené potraviny nezakrývaly výstup vzduchového kanálu.

**Dětský zámek:** Při odemknuté obrazovce stisknutím tlačítka A3 zvolte funkci Child Lock (Dětský zámek) a poté ji stisknutím tlačítka A4 zapněte. Odemknutí: Po stisknutí tlačítka na obrazovce se rozsvítí obrazovka displeje a tlačítko dětského zámku. Po stisknutí tlačítka A3 začne tlačítko dětského zámku blikat. Po stisknutí tlačítka A4 se obrazovka odemkne.

Když je obrazovka zablokována, tlačítko A2 není funkční; aktivní je pouze ikona funkce dětského zámku po stisknutí tlačítka A3, pak je funkce tlačítka A4 vypnutá.

## Výstražné signály

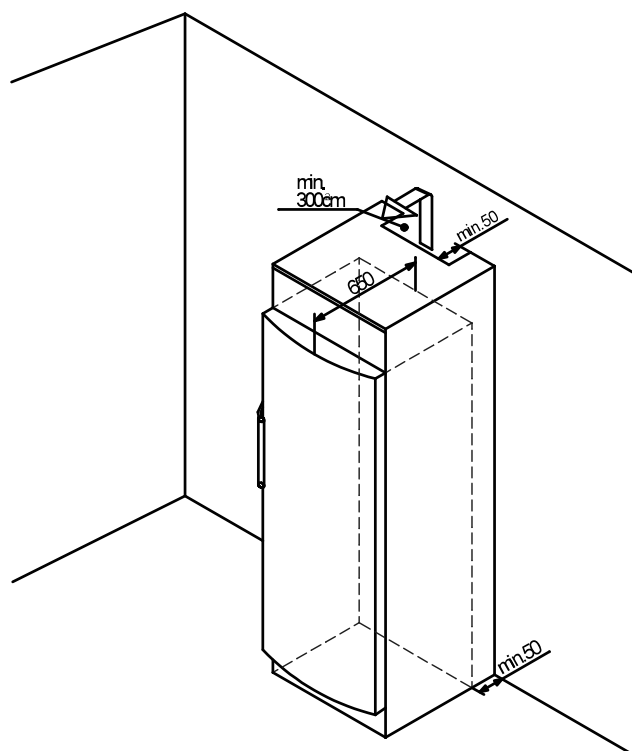
**VÝSTRAHA TEPLoty:** Pokud teplota uvnitř mrazničky stoupne na 0 °C, ohlásí výstrahu teploty přerušovaný zvuk bzučáku a blikající kontrolka F. Na displeji se zobrazí kód HH

Po odemknutí obrazovky stisknutím tlačítka A3 zvolte funkci „Alarm“. Poté je možné stisknutím tlačítka A4 ukončit zvukový signál, stav výstrahy ale bude trvat, dokud vnitřní teplota neklesne pod 0 °C.

**VÝSTRAHA DVEŘÍ:** Pokud dveře zůstanou otevřené po dobu 60 sekund, bude tento nezvyklý stav signalizovat přerušovaný zvuk bzučáku. Stav výstrahy se ukončí zavřením dveří nebo výběrem funkce Alarm pomocí tlačítka a následným stisknutím tlačítka OK. V tomto druhém případě se ale stav výstrahy po 120 sekundách obnoví, pokud budou dveře stále otevřené.

V tuto chvíli, prosím, zkontrolujte následující postupy: (1) Zda se dveře dobře zavírají a otevírají; (2) Zda se dveře často otevírají nebo zda jsou otevřené po dlouhou dobu; (3) Ukládá se příliš mnoho potravin najednou; jestliže existují výše uvedené podmínky, můžete zrušit alarm. Teprve když teplota uvnitř mrazničky klesne pod 0 °C nebo níže, zobrazený text „HH“ zmizí.

## Umístění do řady kuchyňských zařízení



Zařízení je možné umístit do řady kuchyňských zařízení. Aby výška zařízení odpovídala výšce řady zařízení, je možné k ní přidat vhodnou nastavnou skříň. Při umísťování zařízení do řady standardních kuchyňských zařízení (max. hloubka 580 mm) je možné ho instalovat přímo vedle dalšího kuchyňského zařízení. Dveře zařízení vyčnívají před jinými kuchyňskými zařízeními o 34 mm na bocích a o 55 mm uprostřed zařízení. V důsledku toho je možné dveře dokonale zavírat i otvírat. Pro volně stojící spotřebič: tento chladicí spotřebič není určen k používání jako vestavný spotřebič

Důležité upozornění kvůli větrání:

V zadní části skříňe musí být ventilační kanál hluboký alespoň 50 mm po celé délce skříňky. Větrací prostor pod stropem musí mít objem minimálně 300 cm<sup>2</sup>.

Čím větší je větrací prostor, tím více energie zařízení ušetří při provozu.

Pokud je zařízení umístěno se závěsy dveří vedle stěny, musí být vzdálenost mezi zařízením a stěnou nejméně 55 mm. To odpovídá vyčnívání rukojeti při otevřených dveřích.

## Informace o použití

### 1. OTEVÍRÁNÍ VÍK

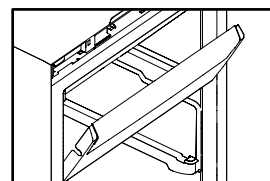
Horní víka se otvírají mírným nadzvednutím a vyklopením zevnitř ven.

Víko otvírejte při vkládání potravin do zásuvky.

Při zavírání víka zabraňte kontaktu s dveřmi.

Víko je možné vyjmout, a zvětšit tak skladovací prostor.

**POZNÁMKA:** Dvě vrstvy v horní části jsou vybaveny víky, ale do přední části skleněné desky byste neměli ukládat žádné potraviny, protože víka by poté nebylo možné dovřít. Pokud se tak stane, zkontrolujte porce potravin, přendejte je na jiné místo a poté víka znovu dovřete. **Varování:** Před zavřením dvířek zkontrolujte, zda jsou víka dovřená a dvířka zavřete až tehdy, když si budete jistí, že jsou víka správně dovřena, takže nedojde k jejich deformaci.



### 2. VYJÍMÁNÍ ZÁSUVK

Zásuvky zcela vytáhněte, potom je mírně zvedněte a vyjměte.

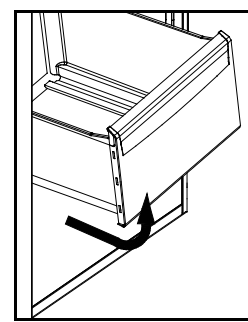
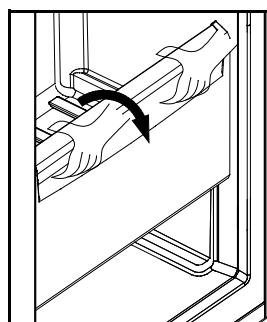
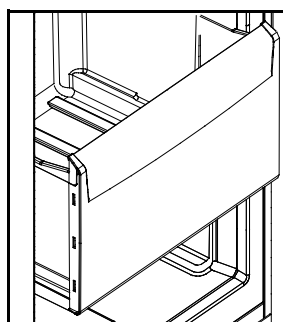
Zásuvky (s výjimkou spodní zásuvky) je možné vyjmout, a získat tak více skladovacího prostoru.

U některých modelů jsou k dispozici kluzná vedení.

### 3. ZÁSUVKA HLAVNÍ PŘIHRÁDKY

Zcela vytáhněte zásuvku hlavní přihrádky. Zvedněte ji a vytáhněte z teleskopických vodiček.

**POZNÁMKA:** Některé modely velké zásuvky jsou vybaveny posuvným systémem. Správný způsob vyjmutí zásuvky: Nejprve vyjměte veškeré potraviny a zatlačte zásuvku nadoraz; poté zvedněte její zadní část a vytáhněte ji. Nezvedejte zásuvku, dokud je zablokována, poté ji lze snadno vyjmout; ale pokud se to nepodaří, zatlačte ji nadoraz a zopakujte znovu jednotlivé kroky.

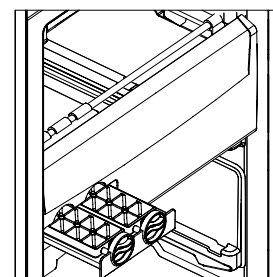
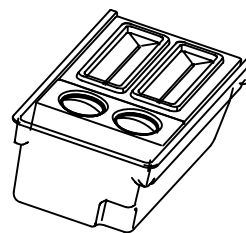


### 4. VÝROBA LEDOVÝCH KOSTEK

Některé modely jsou vybavené systémem na výrobu ledu, který zahrnuje misky na ledové kostky se zařízením na vyjímání ledu a kbelíkem na led.

**A**

**B**



### 5. Vyjímání ledu z misek na led

Misky vyčistěte a naplňte vodou. Vložte je zpět na podpěry.

Počkejte několik hodin, až se led vytvoří, poté otáčením knoflíků led uvolněte.

Ledové kostky vypadnou přímo do nádoby na led.

6. Do schránek na dveřích je možné vkládat balenou PIZZU s tloušťkou méně než 30 mm a jiné tenké balené potraviny.

Akumulátory chladu z eutektické slitiny dostupné pro některé modely. Je také možné zakoupit akumulátory chladu z eutektické slitiny a umístit je do mrazničky. Jejich tloušťka musí být menší než 30 mm.

# FUNKCE

**I** Obrácení otevírání dveří:  
demontáž dveří z pravé strany (①&②).  
(Grafické znázornění v instrukce brožura poslední stránku.)

## ① (Obrázek ①)

### 1、

1.1  
Plochým šroubovákem odmontujte kryt závěsu na pravé straně, poté oddělte svorku připojenou k horní části závěsu.

#### 1.2

Křížovým šroubovákem povolte šrouby závěsu.  
Odstraňte horní závěs.

#### 1.3

Pohněte sestavou dveří nahoru, aby ji bylo možné odstranit.

### 2、

2.1  
Plochým šroubovákem vyjměte malý kryt na levé straně skříně. Vložte jej do otvoru na pravé straně skříně.

#### 2.2

Odstraňte desku krytu v přední části skříně a vytáhněte signálový vodič na levou stranu skříně.

#### 2.3

Vložte signálový vodič do drážky v desce předního krytu a upevněte jej na desku předního krytu.

### 3、

3.1  
Demontujte objímku hřídele závěsu na pravé straně a kryt na levé straně dveří.

#### 3.2

Natlačte signálový vodič na pravé straně dveří do drážky v dekorační liště a zavřete kryt.

#### 3.3

Vytáhněte signálový vodič z drážky na levé straně dveří a vtlačte jej do objímky hřídele závěsu, poté jej vložte do dekorační lišty.

### 4、

4.1  
Odmontujte příčník kovové zářky na pravé straně sestavy dveří a namontujte jej do odpovídající pozice na levé straně sestavy dveří.



Před zahájením tohoto úkonu odpojte napájení a zařízení vyprázdněte.

#### 4.2

Křížovým šroubovákem odstraňte spodní závěs.

### 5、

A. Gebruik sleutels of tangen om de pen van het scharnier te verwijderen en steek deze in het gat aan de linkerkant van de scharnier.

B. Gebruik een kruiskopschroevendraaier om de schroeven uit de linkerzijde van de behuizing van de kast te halen, en bevestig deze schroeven aan de rechterzijde van de kast. Bevestig de onderste scharnier aan de linkerzijde.

### 6、

6.1  
Nasadte sestavu dveří na hřídel na sestavě přihrádky.

### 7、

7.1  
Vyjměte další závěs a kryt závěsu ze zásuvky mrazničky, uložte odmontovaný závěs a kryt do tašky a uložte je.

#### 7.2

Vložte závěs do otvoru na levé straně sestavy dveří, šrouby závěs utáhněte a uzemněte jej vložení podložek pod šrouby.

#### 7.3

Připojte svorky na skříně ke svorkám na sestavě dveří, poté utáhněte kryt závěsu.

## ②(Obrázek②)

1

- A. Open de deur
- B. Duw omlaag om de twee kleine deksels aan respectievelijk de linker- en rechterkant te verwijderen
- C. Wrik het voordeksel naar buiten

2

- A. Verwijder het kleine deksel aan de rechterkant van de behuizing van de deur met een schroevendraaier
- B. Verwijder de sierstroken door met een schroevendraaier naar binnen te wrikken

3

- A. Maak scharnierschroeven los met een kruiskopschroevendraaier. Verwijder het bovenste scharnier
- B. Koppel de kabelaan sluiting los

4

- A. Beweeg de behuizing van de deur naar boven om deze te verwijderen
- B. Verwijder het onderste scharnier met een kruiskopschroevendraaier

5

- A. Gebruik sleutels of tangen om de pen van het scharnier te verwijderen en steek deze in het gat aan de linkerkant van de scharnier.
- B. Gebruik een kruiskopschroevendraaier om de schroeven uit de linkerkant van de behuizing van de kast te halen, en bevestig deze schroeven aan de rechterkant van de kast. Bevestig de onderste scharnier aan de linkerkant.

6

- A. Gebruik een platkopschroevendraaier om de schroefplug aan de rechterkant van de behuizing van de deur los te wrikken.
- B. Verwijder de pen van het bovenste scharnier en bevestig deze omgekeerd aan het scharnier. Verplaats de schroefplug naar de linkerkant en steek deze in het schroefgat.

7

- A. Připojte signalizační vodič v dekorativním pásku dveří ke svorce v závěsu dveří. Narovnejte kabeláž a umístěte ji do krytu dekorativního pásku.
- B. Upevněte dekorativní pásek a připněte jeho malý kryt na pravou stranu.
- C. Uzavřete horní přední kryt skříně. Vložte do drážky levé a pravé malé kryty.

## II

Směr pro výměnu rukojeti: podle různých konfigurací (obrázky se liší).

Pomocná rukojeť:(Obrázek1&2)

- A. Pomocí plochého šroubováku páčením odstraňte horní kryt rukojeti. Vyšroubujte dva šrouby a pak rukojeť sejměte.
- B. Pomocí plochého šroubováku páčením odstraňte kryt šroubu na pravé straně tělesa dveří. Přemístěte kryt šroubu na levou stranu a zakryjte otvor šroubu. Upevněte rukojeť na pravou stranu a zakryjte ji.

Normální rukojeť: (Obrázek3)

- A. Pomocí plochého šroubováku páčením odstraňte horní kryt rukojeti. Vyšroubujte dva šrouby a pak odstraňte rukojeť.
- B. Pomocí plochého šroubováku páčením vyjměte kryt šroubu na pravé straně tělesa dveří. Přemístěte kryt šroubu na levou stranu a zakryjte otvor šroubu.
- C. Upevněte rukojeť na pravou stranu a zakryjte ji.

## Odmrazování a čištění

ODMRAZOVÁNÍ MRAZNIČKY: Mraznička se odmrazuje automaticky. Žádné ruční úkony nejsou potřeba.

ČIŠTĚNÍ: Zařízení je nutné pravidelně čistit, aby se zabránilo vzniku zápachu ze skladovaných potravin.

Před čištěním mrazničky odpojte napájecí kabel.

Mrazničku čistěte měkkým hadříkem nebo houbičkou s teplou vodou (je možné přidat slabý čisticí prostředek).

Suchým hadříkem vysušte kapky vody na povrchu mrazničky.

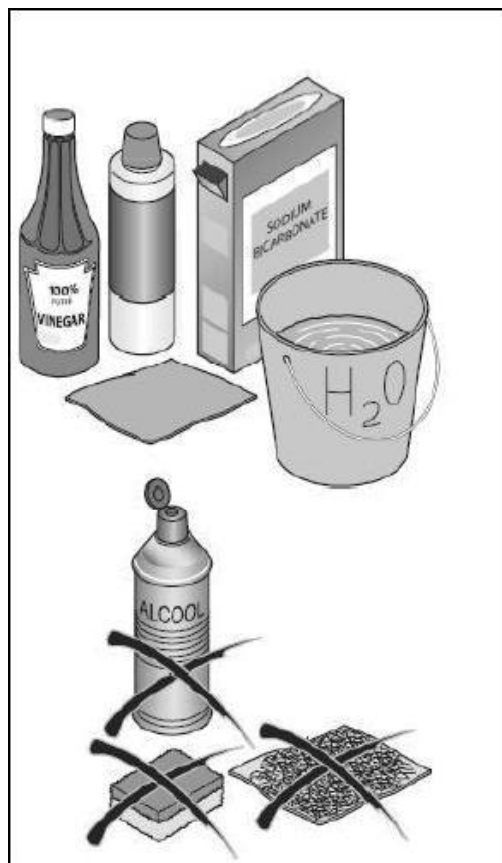
Těsnění dveří musí být vždy čisté.

**!** Mraznička je velmi těžká. Při jejím přemísťování kvůli čištění či opravám dávejte pozor, abyste nepoškodili podlahu. Při přemísťování udržujte mrazničku ve svislé poloze. Nepřemísťujte mrazničku kýváním, aby nedošlo k poškození podlahy.

**!** Nerozstříkujte v mrazničce vodu ani ji do mrazničky nenalévejte, aby se nenarušila elektrická izolace.

**!** Nečistěte mrazničku pomocí tvrdého kartáče, drátěného kartáče, čisticího prášku, benzínu, amlacetátu, acetonu a podobných organických rozpouštědel, teplé vody nebo kyselých či alkalických rozpouštědel.

**!** Při čištění obrazovky displeje a jiných elektrických součástí používejte suchý hadřík.



## Ukončení používání

Pokud se nebude mraznička po delší dobu používat, odpojte napájecí kabel a vyčistěte ji způsobem popsáním výše.

Nechte dveře mrazničky otevřené, aby jakékoliv zbytky jídla v oddílech nevytvářely zápach.

**!** Aby se zachovala životnost zařízení, doporučuje se mrazničku nevytáhnout, pokud to není nezbytné.

## Přemísťování mrazničky

Odpojte zástrčku napájení a mrazničku vypněte.

Vyjměte z mrazničky všechny potraviny.

Upevněte zásuvky a všechny pohyblivé součásti v mrazničce lepicí páskou.

Zavřete dveře a upevněte je lepicí páskou tak, aby se při pohybu nemohly otvírat.

Nenaklánějte mrazničku o více než 45 stupňů (ze svislého směru), aby při jejím přesunování nedošlo k poškození mrazicího systému.

Nohy mrazničky vhodným způsobem obalte, aby nedošlo k poškození podlahy. Nikdy nepřemísťujte mrazničku silou. Při přemísťování nadržte mrazničku za rukojeť, víka či trubky, aby nedošlo k jejich poškození či úrazu.

**!** Nikdy mrazničku nepokládejte vodorovně.

# ODSTRAŇOVÁNÍ PROBLÉMŮ

Než zavoláte servis, přečtete si nejprve následující tabulku pro odstraňování problémů. Může vám to ušetřit čas i peníze. Tabulka obsahuje běžné problémy s výjimkou problémů způsobených vadami zpracování či materiálů mrazničky.

PROBLÉMY	PŘÍČINY	ŘEŠENÍ
<b>Provoz mrazničky</b>		
Kompresor nefunguje	Produkt je v cyklu odmrazování. Mraznička není zapojená do zásuvky. Produkt je VYPNUTÝ.	<input type="checkbox"/> To je u mrazničky s automatickým odmrazováním obvyklé. <input type="checkbox"/> Zkontrolujte, jestli není poškozená zásuvka, zástrčka či pojistka. Je-li všechno v pořádku, mrazničku zapněte. <input type="checkbox"/> Stisknutím tlačítka zapnutí mrazničku opět spustíte.
Mraznička se často rozbíhá nebo běží po příliš dlouhou dobu	Vnitřní či vnější teplota jsou příliš vysoké. <input type="checkbox"/> Mraznička byla po nějakou dobu vypnutá. <input type="checkbox"/> Dveře se otevírají příliš často nebo na příliš dlouhou dobu. <input type="checkbox"/> Dveře mrazničky nejsou pevně dovřené. <input type="checkbox"/> Příliš nízká nastavená teplota. <input type="checkbox"/> Těsnění dveří je špinavé, opotřebované, popraskané nebo překroucené. <input type="checkbox"/> Je zašpiněný kondenzátor.	<input type="checkbox"/> V takovýchto případech je normální, že mraznička běží déle. <input type="checkbox"/> Normálně trvá 8 až 12 hodin, než se mraznička úplně vychladí. <input type="checkbox"/> Do mrazničky proniká teplý vzduch a způsobuje její časté rozbíhání. Neotevírejte dveře příliš často. <input type="checkbox"/> Přesvědčte se, zda mraznička stojí na rovné ploše a zda nejsou dveře zablokované potravinami či nádobami. <input type="checkbox"/> Nastavte vyšší teplotu, dokud se nedosáhne uspokojivé teploty mrazničky. Dosáhnout teploty mrazničky trvá 24 hodin. <input type="checkbox"/> Vyčistěte či vyměňte těsnění dveří. Mezera v těsnění dveří může vést k dlouhé době spuštění mrazničky, nutné k dosažení požadované teploty. <input type="checkbox"/> Vyčistěte kondenzátor.
<b>Příliš vysoká teplota</b>		
Příliš vysoká teplota uvnitř produktu	Dveře se otevírají příliš často nebo pokaždé na příliš dlouho. <input type="checkbox"/> Příliš vysoká nastavená teplota. <input type="checkbox"/> Dveře nejsou pevně dovřené. <input type="checkbox"/> Je zašpiněný kondenzátor.	Jsou-li otevřené dveře, vniká do mrazničky teplý vzduch. Pokuste se dveře otevírat co nejméně často. <input type="checkbox"/> Znovu nastavte teplotu. <input type="checkbox"/> Přesvědčte se, zda mraznička stojí na rovné ploše a zda nejsou dveře zablokované potravinami či nádobami. <input type="checkbox"/> Vyčistěte kondenzátor.
<b>Na vnějším povrchu mrazničky je voda/vlhkost/námraza</b>		
Na vnějším povrchu mrazničky se sráží vlhkost	<input type="checkbox"/> Vlhké klima. <input type="checkbox"/> Dveře nejsou pevně dovřené. To vede ke kondenzaci studeného vzduchu uvnitř mrazničky a teplého vzduchu mimo ni.	To je ve vlhkém ovzduší normální. Vlhkost se sníží, jakmile klesne vzdušná vlhkost. <input type="checkbox"/> Přesvědčte se, zda je podklad rovný a žádná potravina či nádoba nevyčnívá do prostoru dveří. Zavřete pevně dveře.

# ODSTRAŇOVÁNÍ PROBLÉMŮ

PROBLÉMY	PŘÍČINY	ŘEŠENÍ
<b>Zápachy v mrazničce</b>		
Vnitřek mrazničky je zašpiněný	Vnitřek mrazničky je potřeba vyčistit. ☐ V mrazničce jsou uloženy silně zapáchající potraviny.	Vyčistěte vnitřek mrazničky. (Viz část Odmrazování a čištění.) ☐ Zkontrolujte, jestli potraviny nejsou zkažené. Vyměňte zkažené či silně zapáchající potraviny z mrazničky.
<b>Pokud slyšíte</b>		
Pípání	Dveře mrazničky jsou otevřené. ☐ Teplota v mrazničce je příliš vysoká. ☐ Některé součásti mohou být poškozené.	Zavřete dveře nebo výstrahu ztlumte ručně. ☐ K výstraze obvykle dochází při prvním spuštění nebo při prvním uložení potravin. Výstrahu je možné ztlumit ručně. ☐ Obráťte se na personál poprodejšího servisu.
Nezvyklý zvuk	Mraznička není umístěna na vodorovném místě. ☐ Mraznička se dotýká nějakého předmětu ve svém okolí.	Nastavte nohy tak, aby mraznička stála vodorovně. ☐ Odstraňte předměty v okolí mrazničky.
Slabý zvuk podobný tekoucí vodě	Jedná se o zvuk chladicího systému.	To je normální.
Zahřívání skříně	Chladicí systém pracuje.	Zabraňuje se tím kondenzaci a je to normální.

## Typový štítek

Typový štítek je přilepený uvnitř oddílu mrazničky v dolní části na levé straně.

Typový štítek obsahuje důležité informace o zařízení a nesmí se porušit nebo odstraňovat.

Údaje o platném objemu a jmenovité spotřebě energie uvedené na typovém štítku podléhají příslušným normám.

Specifikační údaje najdete na typovém štítku a energetickém štítku uvnitř výrobku.

Tento spotřebič je určen k používání v níže uvedeném rozsahu teplot okolí:

SN	+ 10°C~+32°C
N	+ 16°C~+32°C
ST	+ 16°C~+38°C
T	+ 16°C~+43°C

Minimální záruka: 2 roky pro země EU, 3 roky pro Turecko, 1 rok pro Spojené království, 1 rok pro Rusko, 3 roky pro Švédsko, 2 roky pro Srbsko, 5 let pro Norsko, 1 rok pro Maroko, 6 měsíců pro Alžírsko, Tunisko nevyžaduje žádnou zákonnou záruku.

„Termostaty, snímače teploty, desky s plošnými spoji a světelné zdroje budou k dispozici po dobu nejméně sedmi let od uvedení posledního modelu spotřebiče na trh.

Madla dveří, závěsy dveří, přihrádky a koše budou k dispozici po dobu nejméně sedmi let a těsnění dveří po dobu nejméně deseti let od uvedení posledního modelu spotřebiče na trh.“

Dziękujemy za zakup produktu firmy Haier

Prosimy o uważne przeczytanie niniejszej instrukcji przed rozpoczęciem korzystania z tego urządzenia. Instrukcje zawierają ważne informacje, które mogą pomóc w najlepszym wykorzystaniu urządzenia i zapewniają bezpieczną i właściwą instalację, korzystanie i konserwację.

Instrukcję należy przechowywać w dogodnym miejscu, aby zawsze można było z niej skorzystać w celu właściwego użytkowania urządzenia.

W przypadku sprzedaży urządzenia, oddania go lub pozostawienia w opuszczanym mieszkaniu należy też przekazać niniejszą instrukcję obsługi, aby nowy właściciel mógł się zapoznać z urządzeniem i ostrzeżeniami dotyczącymi bezpieczeństwa.

# SPIS TREŚCI

UWAGI .....	3
PRZED UŻYCIEM .....	6
FUNKCJE .....	8
KONSERWACJA.....	14
ROZWIĄZYWANIE PROBLEMÓW .....	15

# UWAGI

## Legenda

- ⓘ Uwaga
- ⚠ Uwaga
- ⊘ Zabronione

## Utylizacja

Występowanie tego symbolu na produkcie, akcesoriach lub materiałach przekazywanych wraz z tymi informacjami oznacza, że po zakończeniu okresu użytkowania produktu lub jego akcesoriów elektronicznych (np. ładowarki, zestawu głośnomówiącego, przewodu USB) nie należy go utylizować wraz z innym odpadami gospodarstwa domowego.

Aby uniknąć ewentualnego skażenia środowiska lub uszczerbku na zdrowiu na skutek niekontrolowanej utylizacji odpadów, należy oddzielić te przedmioty od odpadów innego typu oraz poddać je recyklingowi. Takie postępowanie zapewni możliwość ciągłego wykorzystywania przetworzonych zasobów.

Użytkownicy prywatni powinni skontaktować się ze sprzedawcą produktu lub odpowiednimi władzami lokalnymi, aby dowiedzieć się w jaki sposób zutylizować sprzęt w przyjazny dla środowiska i bezpieczny sposób. Użytkownicy korporacyjni powinni skontaktować się z dostawcą sprzętu i sprawdzić warunki zakupu. Tego produktu oraz jego akcesoriów elektronicznych nie wolno mieszać z innymi odpadami użytkowymi.



## Przed rozpoczęciem użytkowania...

ⓘ To urządzenie jest zasilane prądem zmiennym.

Urządzenie należy podłączyć do źródła normalnego napięcia. W przypadku wahań napięcia może dojść do problemów z uruchomieniem urządzenia, sterownika temperatury lub może dojść do uszkodzenia lub hałaśliwej pracy sprężarki. W takim przypadku należy podłączyć odpowiedni stabilizator napięcia.

ⓘ Należy stosować trójotworowe gniazdo.

W każdym przypadku należy się upewnić, że gniazdo jest połączone z przewodem uziemieniowym i nie modyfikować przewodu i wtyczki zasilającej. Wtyczkę przewodu zasilającego należy mocno podłączyć do gniazda, w przeciwnym razie może dojść do pożaru. Po zamontowaniu urządzenia wtyczka musi być łatwo dostępna, aby w sytuacji awaryjnej możliwe było jej szybkie odłączenie.

⊘ Nie uszkodzić przewodu zasilającego.

Nie wolno ciągnąć za przewód zasilający w celu odłączenia wtyczki od gniazda. Proszę chwycić wtyczkę dłońią, aby odłączyć ją bezpośrednio od gniazdka.

Korpus urządzenia nie może naciskać na przewód ani go przygniatać.

⊘ W przypadku uszkodzenia przewodu zasilania:

W przypadku uszkodzenia przewodu lub zużycia wtyczki należy zaprzestać dalszej eksploatacji. Zużyty lub uszkodzony przewód zasilający należy wymienić we wskazanym przez producenta punkcie konserwacyjnym lub zlecić to zadanie wykwalifikowanej osobie.

Jeżeli konieczne jest użycie większego przewodu zasilającego, należy użyć dodatkowego przewodu, którego przekrój poprzeczny jest nie mniejszy niż 0,75 mm<sup>2</sup>.

ⓘ Dbać o to, aby otwory wentylacyjne w obudowie urządzenia lub w zabudowie nie były zastonięte.

ⓘ W przypadku ulatniania się łatwopalnego gazu, takiego jak gaz ziemny:

Zamknąć zawór, z którego ulatnia się gaz. Otworzyć drzwi i okna w domu. **NIE** odłączać/podłączać wtyczki zasilającej urządzenia ani innych urządzeń elektrycznych.

ⓘ Uważać na odmrozenia

Nie dotykać wewnętrznej powierzchni komory zamrażarki podczas jej pracy, zwłaszcza mokrymi dłońmi, ponieważ mogą one przymarznąć do powierzchni.

# UWAGI

⚠ W przypadku zaprzestania użytkowania urządzenia:

Przechowywać je z dala od źródeł ognia, aby uniknąć wypadków. Wymontować drzwi urządzenia (otworzyć drzwi i unieruchomić je przed wykręceniem śrub), aby uniknąć możliwości wejścia do wnętrza dzieci. Wysłać urządzenie do wskazanego miejsca utylizacji.

⚠ Otworzyć drzwi za pomocą uchwytu.

⚠ Aby uniknąć pożaru, w pobliżu zamrażarki nie wolno przechowywać ani użytkować benzyny oraz innych łatwopalnych substancji.

⚠ W zamrażarce nie wolno przechowywać substancji łatwopalnych, wybuchowych oraz bardzo żrących kwasów, zasad ani innych chemikaliów.

⚠ Nie wolno przechowywać piwa butelkowego ani innych napojów w zamrażarce, ponieważ mogą one wybuchnąć podczas zamrażania.

⚠ Nie używać urządzeń elektrycznych wewnątrz komór do przechowywania żywności urządzenia, chyba że są to urządzenia zalecane przez producenta.

⚠ Zwracać uwagę na zachowanie dzieci.

⚠ Jeśli lampy oświetleniowe są uszkodzone, muszą zostać wymienione przez producenta lub przez wykwalifikowaną osobę w wyznaczonym serwisie.



⚠ Przechowywać z dala od wody

Nie używać wody do spryskiwania lub przepłukiwania lodówki oraz nie ustawiać lodówki w mokrym miejscu lub w miejscu, w którym może dochodzić do częstego oblewania wodą, aby uniknąć naruszenia izolacji elektrycznej urządzenia albo porażenia prądem i pożaru.

⚠ Nie uszkodzić obwodu układu chłodzenia

Rozmontowywanie i wprowadzanie zmian w zamrażarce wymaga zdobycia odpowiedniego zezwolenia. Gwałtowne przemieszczanie zamrażarki może doprowadzić do uszkodzenia przewodów chłodzących. Naprawą urządzenia mogą się zajmować wyłącznie profesjonaliści.

⚠ Odłączyć wtyczkę zasilającą w następujących sytuacjach:

Przed rozpoczęciem czyszczenia lub konserwacji lub w przypadku awarii urządzenia albo utraty zasilania należy odłączyć wtyczkę zasilającą lodówki. W przypadku odłączania urządzenia odczekać przynajmniej 5 minut przed ponownym uruchomieniem, ponieważ częste uruchamianie może doprowadzić do uszkodzenia sprężarki.

⚠ Ta zamrażarka jest urządzeniem gospodarstwa domowego, przeznaczonym wyłącznie do przechowywania żywności. W urządzeniu nie wolno przechowywać krwi, leków, produktów biologicznych, ani innych produktów tego rodzaju.

⚠ Należy utrzymywać pełną drożność otworów wentylacyjnych w obudowie lub wbudowanych w urządzenie. Urządzenie to nie jest przeznaczone do użytku przez osoby (w tym dzieci) o ograniczonych możliwościach fizycznych, sensorycznych lub umysłowych, lub nie posiadających dostatecznej wiedzy lub doświadczenia, o ile nie znajdują się one pod nadzorem lub nie zostały przeszkolone w obsłudze urządzenia przez osobę odpowiedzialną za ich bezpieczeństwo.

Urządzenie jest przeznaczone do użytku domowego oraz w takich miejscach jak

- pracownice zaplecza kuchenne w sklepach, biurach i innych zakładach pracy;
- gospodarstwa, pokoje w hotelach, motelach i innych kwaterach gościnnych;
- rezydencje oferujące zakwaterowanie ze śniadaniem;
- firmy cateringowe i podobne organizacje niedetaliczne.

Porady dotyczące oszczędzania energii

Zamontować urządzenie w chłodnym, suchym pomieszczeniu o odpowiedniej wentylacji.

Podczas zamontowywania urządzenia należy zachować odstęp przynajmniej 10 cm powyżej i wokół zamrażarki, aby zapewnić odpowiednią wentylację.

Poczekaj aż ciepła żywność ostygnie, zanim umieści się ją w urządzeniu.

Nie otwierać drzwi urządzenia przez zbyt długi czas podczas wkładania lub wyjmowania żywności. Im krócej otwarte są drzwi urządzenia, tym mniej lodu otworzy się w jego wnętrzu.

Regularnie czyścić tył zamrażarki. Kurz zwiększa zużycie energii.

Nie ustawiać temperatury na niższą niż to potrzebne.

Nie zasłaniać otworów wentylacyjnych.

# UWAGI

## Zamrażanie i przechowywanie świeżej żywności

Żywność należy przechowywać z zachowaniem odstępu między poszczególnymi paczkami, ponieważ zwiększa to wydajność chłodzenia.

Warto przechowywać żywność pogrupowaną na kategorie, aby łatwiej odnajdywać potrzebne paczki. Żywność należy szczelnie zamknąć przed umieszczeniem w zamrażarce, aby uniknąć utraty wody i zniekształcenia naturalnego zapachu.


Opcjonalnie można opakować żywność przed umieszczeniem jej w zamrażarce. Zewnętrzna powłoka opakowania musi być sucha, aby uniknąć przymarzania paczek do siebie. Materiały wykorzystywane do pakowania powinny być bezzapachowe, szczelne, nie trujące i nie toksyczne.

Zalecamy, aby oznaczyć porcję opisując ją następującymi informacjami:

- Nazwa żywności
- Masa porcji
- Ilość (ilość kawałków)
- Data zamrożenia
- Data końcowa przechowywania

Wewnątrz zamrażarki znajduje się schemat opisujący czas przechowywania standardowych rodzajów żywności:

### PUDEŁKO Z PIZZA

		
<b>2-6</b>	<b>4-8</b>	<b>6-12</b>
		

1. Potrawy, lody, kiełbasa, pieczywo
2. Ryby, krewetki, jagnięcina, mięso
3. Warzywa, owoce, drób, wołowina

Żywność powinna być świeża, dojrzała i dobrej jakości.

Świeże warzywa i owoce należy zamrozić, jeżeli jest to możliwe, niezwłocznie po zbiorach, aby zachować większość substancji odżywczych, strukturę, fakturę, kolor i smak.

W przypadku mięs i dziczyzny zaleca się, aby przed zamrożeniem produkty te odpowiednio długo dojrzewały na haku.

Gorąca żywność powinna być schłodzona do temperatury pokojowej przed umieszczeniem jej w zamrażarce.

**!** Z zamrażarki należy wyjmować tylko wymaganą ilość żywności. Nie wolno ponownie zamrażać odmrożonej żywności, chyba że została wcześniej ugotowana, w przeciwnym razie może dojść do pogorszenia jej właściwości.

Unikać kładzenia świeżej żywności bezpośrednio obok głęboko zmrożonej żywności. Głęboko zmrożona żywność może się rozmrozić i nie przetrwać przewidzianego okresu przechowywania.

W celu mocnego mrożenia włączyć funkcję szybkiego mrożenia (patrz rozdział dotyczący funkcji) na 2 godziny przed włożeniem do zamrażarki świeżej żywności.

**!** Nie wkładać zbyt dużych ilości świeżej żywności do zamrażarki. Lepiej zapoznać się z wydajnością chłodzenia zamrażarki.

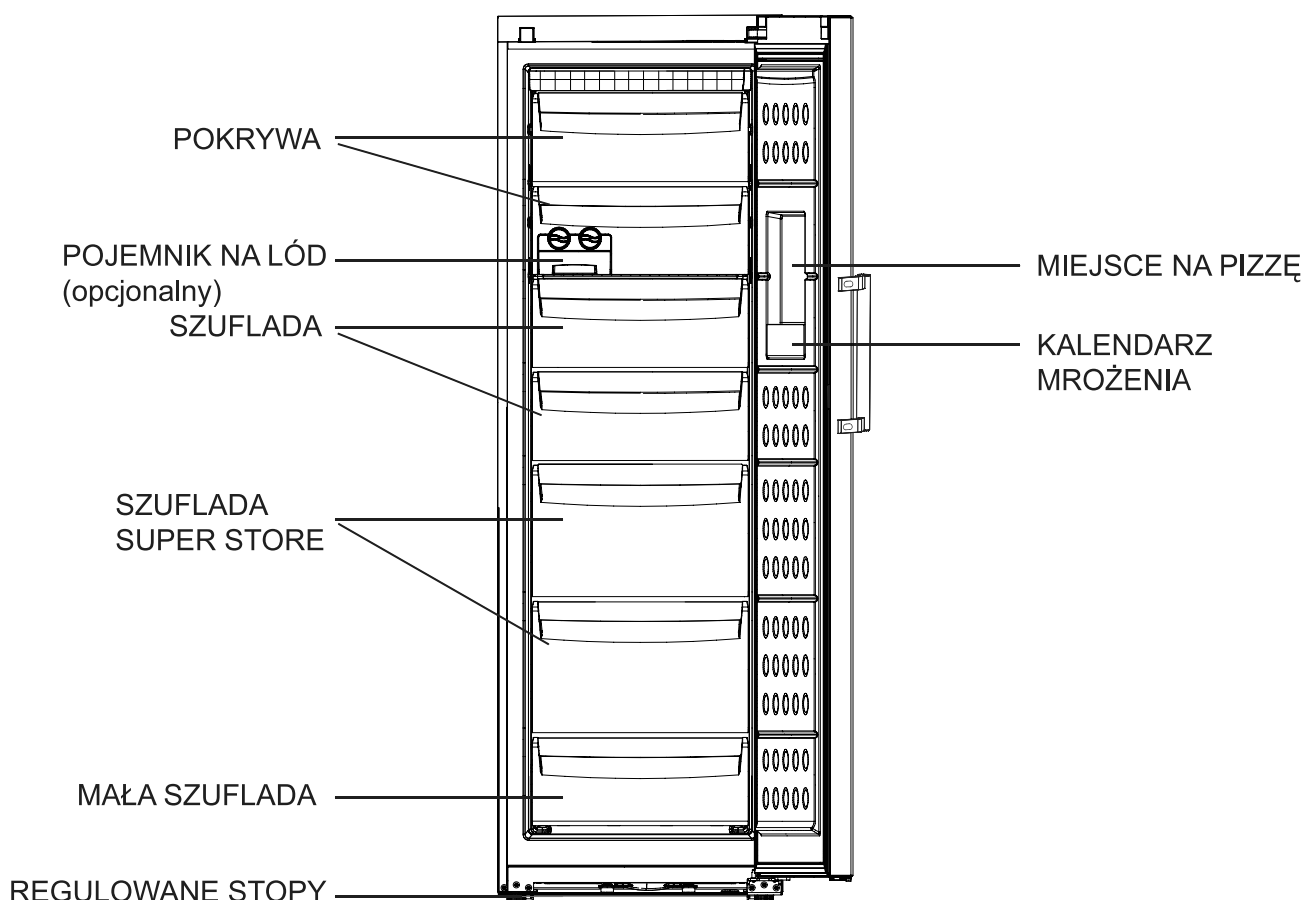
Zwykle 24 godziny wystarczają, aby zakończyć proces mrożenia. Po tym czasie funkcja zostanie automatycznie wyłączona.

W przypadku zamrażania małej ilości żywności można wyłączyć funkcję ręcznie po kilku godzinach, aby uniknąć niepotrzebnego zużycia energii.

# PRZED UŻYCIEM

## Opis

Ten schemat może być nieco inny niż układ zakupionej przez Państwa zamrażarki.



uchwyty transportowe z przodu, samonastawne kółka transportowe z tyłu

W celu zwiększenia przestrzeni w zamrażarce można wyciągnąć duże szuflady, schowek super store i małą szufladę.

Różne rodzaje żywności powinny być umieszczane w różnych miejscach, w zależności od ich właściwości.

**POKRYWA, MAŁA SZUFLADA:** masło, ser, świeża żywność itp.

**SZUFLADA:** Produkty mięsne, przekąski, marynowane potrawy itp.

**SUPER STORE:** Konserwy, tofu, nabiał, makaron itp.

W przypadku urządzeń bez przedziału 4-gwiazdkowego: To urządzenie chłodnicze nie nadaje się do zamrażania środków spożywczych

Więcej informacji na temat produktu można znaleźć na stronie <https://eprel.ec.europa.eu/> lub zeskanuj kod QR na etykiecie energetycznej dostarczonej z urządzeniem.

Aby skontaktować się z pomocą techniczną, odwiedź naszą stronę internetową: <https://corporate.haier-europe.com/en/>

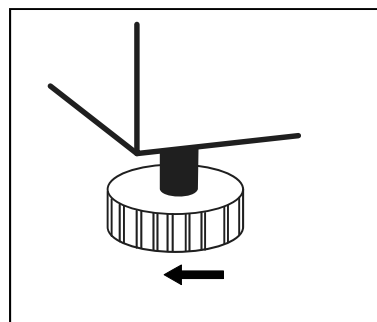
W sekcji „Strona internetowa” wybierz markę swojego produktu i swój kraj. Zostaniesz przekierowany na konkretną stronę internetową, gdzie możesz znaleźć numer telefonu i formularz, aby skontaktować się z pomocą techniczną

Uwaga: Ten produkt zawiera źródło światła o klasie efektywności energetycznej <G>.

# PRZED UŻYCIEM

## Lokalizacja urządzenia

Zamrażarka powinna być ustawiona poziomo na płaskiej i wytrzymałej powierzchni. W przypadku ustawienia urządzenia na podwyższeniu należy zastosować płaskie, wytrzymałe i ognioodporne materiały. Nie wolno stosować elementów opakowania piankowego do podwyższenia urządzenia. Jeżeli zamrażarka jest nieznacznie niestabilna, można wydłużyć lub skrócić regulowane stopki zamrażarki, dokręcając je w kierunku zgodnym lub przeciwnym do ruchu wskazówek zegara w celu zwiększenia lub zmniejszenia wysokości urządzenia. Aby zagwarantować wysoką wydajność zamrażarki, nie wolno ustawiać jej w miejscu bezpośrednio naświetlanym przez promienie słoneczne ani w miejscu, w którym byłaby ona narażona na działanie grzejników. Należy zamontować urządzenie w dobrze wentylowanym miejscu, zachowując przynajmniej 10 cm prześwitu ponad i wokół zamrażarki.



Nie wolno umieszczać zamrażarki w mokrym miejscu ani w miejscu, w którym może zostać oblana wodą. Wyczyścić i wysuszyć wszelkie kałuże i plamy miękką szmatką, aby zapobiec powstawaniu rdzy.

Nie ustawiać zamrażarki w miejscu, w którym temperatura jest zbyt niska (poniżej 5°C). Nie trzymać zamrażarki na zewnątrz ani w deszczu.

## Przygotowanie do użytkowania

Zdjąć wszystkie elementy opakowania, wymontować piankową podstawę oraz akcesoria przymocowane taśmą przylepną.

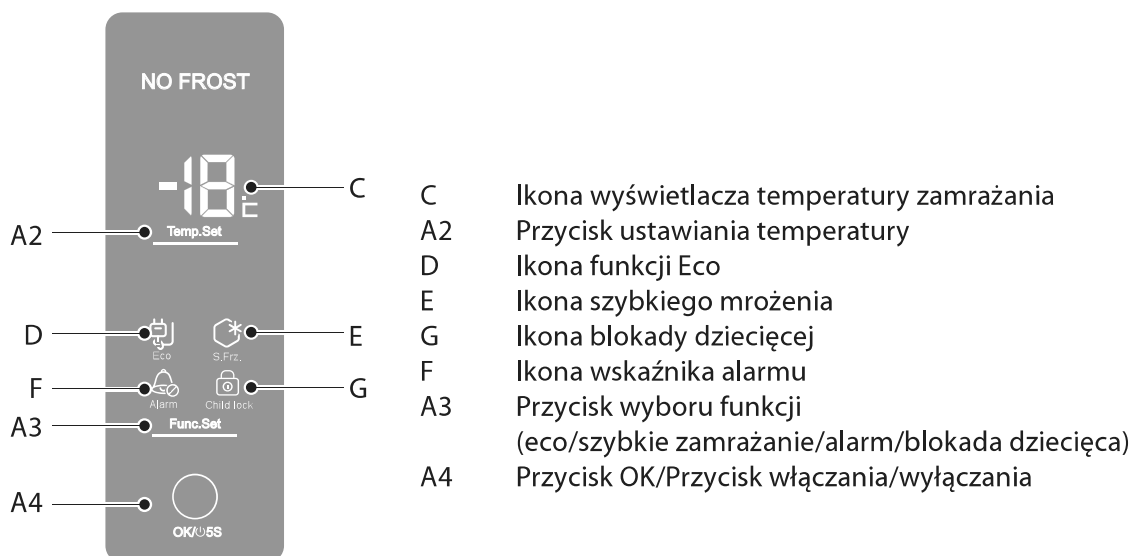
Umieścić zamrażarkę w odpowiednim miejscu (patrz informacje zawarte w rozdziale dotyczącym Lokalizacji urządzenia).

Wyczyścić wewnątrz i zewnątrz zamrażarki przed rozpoczęciem jej użytkowania (patrz rozdział dotyczący Odmrażania i czyszczenia).

Po wypoziomowaniu i wyczyszczeniu urządzenia należy pozostawić je w trybie pracy jałowej przez przynajmniej 6 godzin przed włączeniem, aby upewnić się, że pracuje w normalny sposób.

# FUNKCJE

## Panel sterowania



## Uruchamianie

"Uwaga: Wysoka temperatura alarm nie będzie dźwięk, gdy do lodówki po raz pierwszy włączony. to tylko dźwięk po 3 godzinach jeśli chłodnia nie przycichnie poniżej 0c. "

Włożyć wtyczkę do gniazdka, aby włączyć zamrażarkę. W tym momencie wskaźnik C wyświetla rzeczywistą temperaturę wewnątrz zamrażarki.

Dioda alarmowa F i sygnał dźwiękowy poinformują o tym, że temperatura wewnątrz zamrażarki nie jest wystarczająco niska, aby możliwe było przechowywanie żywności. Naciśnięcie przycisku A3 w celu wybrania funkcji „Alarm”, a następnie naciśnięcie przycisku A4 umożliwia wyłączenie sygnału dźwiękowego, jednak na zamrażarce będzie się świeciła kontrolka ostrzegawcza, dopóki urządzenie nie osiągnie temperatury 0 °C. Jeżeli na wyświetlaczu pojawia się temperatura 0°C, warunek alarmowy wyłączy się automatycznie, a zamrażarka będzie gotowa do przechowywania żywności.

Sprawdzić panel sterowania:

Dotknąć któregoś przycisku na ekranie wyświetlacza i sprawdzić, czy obszar wskazania temperatury i wybrana ikona są podświetlone.

Ustawianie temperatury:

Aby ustawić temperaturę, nacisnąć przycisk A2. Podczas ustawiania temperatury dwie liczby na wyświetlaczu będą pokazywały punkt nastawy w trybie migającym. Dodatkowe naciśnięcie tego przycisku zmieni wartość punktu nastawy w trybie pracy cyklicznej i w trybie zmniejszania z -14°C na -26°C.

W przypadku niewykonania żadnej czynności przyciskiem OK przez 5 sekund, ustawiona wartość zostanie automatycznie zapisana.

Po ustawieniu temperatury dwie liczby na wyświetlaczu zaczną ponownie wyświetlać temperaturę w zamrażarce.

Fabrycznie ustawiona wartość temperatury to -18°C. Zaleca się używanie domyślnych ustawień. Nie trzeba ich dostosowywać.

Funkcja zasilania:

Nacisnąć przycisk A4 przez 5 sekund w celu wyłączenia zamrażarki; ponowne naciśnięcie spowoduje jej włączenie.

**!** Przed rozpoczęciem czyszczenia upewnić się, że odłączono urządzenie od źródła zasilania poprzez wyciągnięcie wtyczki; nie wystarczy wyłączyć urządzenia za pomocą przycisku włączania/wyłączania.

# FUNKCJE

## Funkcje zamrażarki

**SZYBKIE ZAMRAŻANIE:** Nacisnąć przycisk A3 w celu wybrania funkcji „S.FRZ”, a następnie nacisnąć przycisk A4 w celu aktywowania trybu szybkiego mrożenia świeżej żywności.

Zapali się dedykowana lampka E, która oznacza, że funkcja jest włączona oraz udało się aktywować funkcję. Kontrolka będzie włączona do chwili wyłączenia funkcji.

Jeżeli konieczne jest zamrożenie dużej ilości żywności w tym samym czasie, zaleca się aby włączyć funkcję 30 godzin przed włożeniem żywności. Funkcja wyłączy się automatycznie po 56 godzinach lub można ją wyłączyć ręcznie. Zużycie energii zwiększy się, jeżeli funkcja będzie włączona.

**FUNKCJA ECO:** Jeżeli ekran jest odblokowany, nacisnąć przycisk A3 w celu wybrania funkcji „ECO”, następnie nacisnąć przycisk A4 w celu aktywowania funkcji oszczędzania energii, ustawiając temperaturę w zakresie od -18°C do -14°C. W przypadku ustawienia temperatury -19°C lub niższej, zostanie ona automatycznie zmieniona na -18°C, jeżeli funkcja ECO będzie włączona.

W przypadku włączenia funkcji dioda LED D będzie włączona do czasu wyłączenia funkcji.

Za pomocą przycisku A3 można wybrać funkcję „ECO”, następnie za pomocą przycisku A4 można wyłączyć funkcję.

Nie można używać równocześnie funkcji ECO i funkcji szybkiego zamrażania.

**FUNKCJA ECO 2:** Jeśli ustawiona została wartość temperatury z przedziału między -23°C a -26°C, po 56 godzinach pracy zamrażarki temperatura zostanie automatycznie przestawiona na -22°C w celu mniejszego zużycia energii i odpowiedniego zabezpieczenia żywności. Zwykła żywność będzie właściwie zabezpieczona w temperaturze -18°C lub niższej, jednak ustawienie zbyt niskiej temperatury zwiększa zużycie energii elektrycznej. (Funkcji nie trzeba ustawiać ręcznie).

Najbardziej energooszczędna konfiguracja wymaga, aby szuflady, pojemniki na żywność i półki były umieszczane w urządzeniach elektrycznych w warunkach fabrycznego chłodzenia oraz aby żywność była umieszczana bez blokowania wylotu powietrza z kanałów wentylacyjnych.

**Blokada dziecięca:** Po odblokowaniu ekranu nacisnąć przycisk A3, aby wybrać funkcję blokady dziecięcej, a następnie nacisnąć przycisk A4, co spowoduje włączenie funkcji. Odblokowanie: Dotknąć któregośkolwiek przycisku na ekranie, co spowoduje podświetlenie ekranu wyświetlacza i przycisku blokady dziecięcej; nacisnąć przycisk A3, przycisk blokady dziecięcej zacznie migać; nacisnąć przycisk A4, ekran zostanie odblokowany.

Jeśli ekran jest zablokowany, przycisk A2 nie działa. Po naciśnięciu przycisku A3 aktywna jest jedynie ikona funkcji Blokada dziecięca, natomiast funkcja wyłącznika zasilania przycisku A4 pozostaje niedostępna.

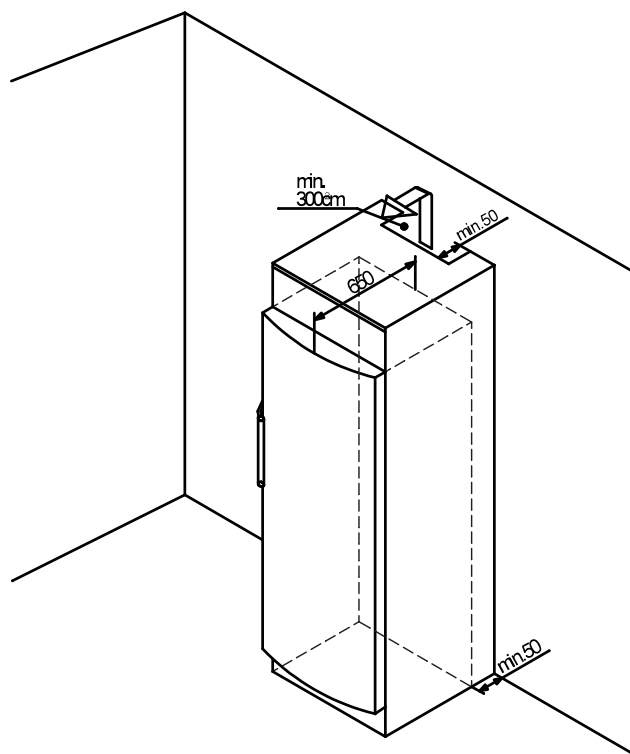
## Sygnaly alarmowe

**ALARM TEMPERATURY:** jeżeli temperatura w zamrażarce przekroczy 0°C, przerywany sygnał dźwiękowy i migająca dioda LED F poinformują o alarmie temperatury. Na wyświetlaczu pojawi się kod HH. Po odblokowaniu ekranu nacisnąć przycisk A3 w celu wybrania funkcji „Alarm”, następnie nacisnąć przycisk A4, co umożliwi wyłączenie sygnału dźwiękowego, jednak stan alarmu będzie włączony dopóki wewnętrzna temperatura nie spadnie poniżej 0°C.

**ALARM DRZWI:** W przypadku pozostawienia otwartych drzwi przez 60 sekund, przerywany sygnał dźwiękowy informuje o nienormalnych warunkach pracy. Warunek alarmowy zostanie wyłączony po zamknięciu drzwi lub po naciśnięciu przycisku wyboru funkcji Alarmu i naciśnięciu przycisku OK, jednak w drugim przypadku warunek alarmowy ponownie uruchomi sygnał dźwiękowy po 120 sekundach, jeżeli drzwi nadal będą otwarte.

W takim wypadku należy sprawdzić po kolei: (1) czy drzwi dobrze się zamykają i otwierają; (2) czy drzwi są często otwierane lub czy jednorazowo nie pozostają otwarte zbyt długo; (3) czy w zamrażarce nie umieszcza się zbyt dużo żywności naraz; jeżeli powyższe warunki są spełnione, alarm można wyłączyć. Dopóki temperatura wewnątrz zamrażarki nie spadnie do poziomu 0°C lub niższego, na wyświetlaczu będzie widniał kod „HH”.

## Zamontowanie urządzenia w zabudowie kuchennej



Urządzenie można zamontować w zabudowie kuchennej. W celu dopasowania urządzenia do wysokości elementów zabudowy kuchennej można dodać odpowiedni element podwyższający. W przypadku dodania urządzenia do zabudowy standardowych elementów kuchennych (maks. głębokość 580 mm) urządzenie można zamontować bezpośrednio obok elementu zabudowy kuchennej. Drzwi urządzenia wystają względem przodu kuchni o 34 mm z boku oraz 55 mm po środku urządzenia. Dzięki temu można je bez problemów otwierać i zamykać.

Urządzenie stojące: urządzenie chłodnicze nie jest przeznaczone do stosowania jako urządzenie zabudowane

Ważne informacje dotyczące wentylacji:

Z tyłu elementu podwyższającego należy zapewnić kanał wentylacyjny o głębokości przynajmniej 50 mm na całej szerokości elementu podwyższającego.

Przestrzeń wentylacyjna pod sufitem musi mieć powierzchnię przynajmniej 300cm<sup>2</sup>.

Im większa przestrzeń wentylacyjna, tym większe oszczędności energii podczas pracy urządzenia.

W przypadku zamontowania urządzenia zawiasami przy ścianie, odległość między urządzeniem a ścianą musi wynosić przynajmniej 55 mm. Wartość ta odpowiada odległości odstawania uchwyty po otwarciu drzwi.

## Informacje dotyczące użytkowania

### 1. OTWIERANIE POKRYWY

Aby otworzyć górną pokrywę, podnieść je delikatnie i otworzyć do zewnątrz. Otworzyć pokrywę w celu umieszczenia żywności w szufladzie.

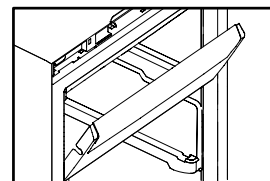
Zamknąć pokrywę, aby nie stykała się z drzwiami.

Istnieje również możliwość wyjęcia szuflady w celu zwiększenia miejsca w zamrażarce.

**UWAGA:** Do dwóch górnych półek przymocowano zamknięcia. Nie należy przechowywać jedzenia z przodu szklanej płyty, ponieważ może to utrudniać domknięcie. Aby domknąć drzwiczki, należy zmienić rozmieszczenie żywności.

**Ostrzeżenie:** Przed zamknięciem drzwi zamrażarki należy domknąć pokrywę.

Aby nie dopuścić do rozmrożenia, należy szczelnie zamykać drzwi zamrażarki.



### 2. WYJMOWANIE SZUFLAD

Wyciągnąć do końca szufladę, następnie delikatnie je podnieść w celu wyjęcia.

Szuflady (oprócz dolnej szuflady) można wyjąć w celu zwiększenia przestrzeni w urządzeniu.

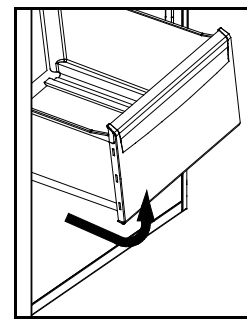
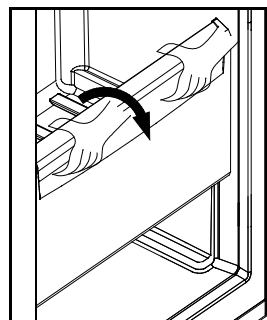
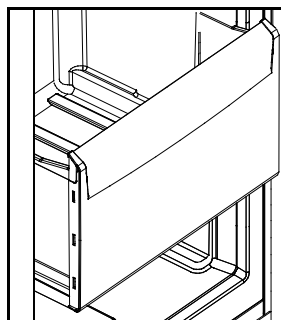
Suwaki dostępne w niektórych modelach.

### 3. SZUFLADA SUPER STORE

Całkowicie wyciągnąć szufladę super store. Podnieść i wyciągnąć ją z teleskopowych prowadnic.

**UWAGA:** Niektóre modele dużych szuflad są wysuwane. Jak poprawnie wysunąć szufladę: wyjmij z szuflady jedzenie i wsuń ją do końca, a następnie unieś tylną część i wysuń szufladę. Nie unosz szuflady póki jest zablokowana.

Po zwolnieniu blokady szuflada powinna wysunąć się bez problemu, jeśli jednak tak się nie stanie, ponownie wsuń ją do końca i powtórz czynności.

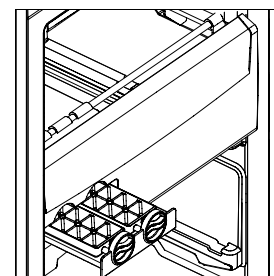
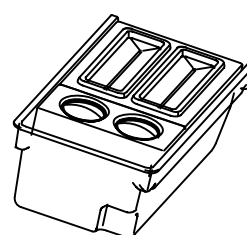


### 4. WYTWARZANIE KOSTEK LODU

Niektóre modele są wyposażone w system produkcji kostek lodu, zawierający tace na kostki z urządzeniem do wyjmowania oraz pojemnik na lód.

A

B



### 5. Wyjąć tace na lód

Wyczyścić i napełnić wodą. Zamontować tace na wsporniku.

Poczekaj kilka godzin na przygotowanie lodu, następnie obrócić pokrętła w celu wyjęcia kostek lodu.

Kostki lodu wypadną bezpośrednio do pojemnika na lód.

6. Pojemniki na drzwiach mogą pomieścić pakowaną PIZZĘ o grubości mniejszej niż 30 mm lub inną pakowaną żywność o małej grubości.

# FUNKCJE

**I** Możliwość zmiany kierunku otwierania drzwi  
wymontowywanie drzwi z prawej strony (①&②).  
(Graficzne przedstawienie w instrukcji obsługi, którą  
ostatnią stroną.)

## ① (Rysunek ①)

### 1、

#### 1.1

Za pomocą śrubokrętu płaskiego zdemontować osłonę zawiasu po prawej stronie, a następnie oddzielić złącze przymocowane u góry zawiasu.

#### 1.2

Za pomocą śrubokrętu krzyżowego poluzować śruby zawiasu. Zdjąć górny zawias.

#### 1.3

Unieść drzwi do góry, aby zdjąć je z zamrażarki.

### 2、

#### 2.1

Za pomocą śrubokrętu płaskiego zdjąć małą pokrywę po lewej stronie szafki. Zamontować ją w otworze po prawej stronie szafki.

#### 2.2

Zdjąć nakładkę z przedniej części szafki, a następnie pociągnąć przewód sygnałowy w lewą stronę szafki.

#### 2.3

Umieścić przewód sygnałowy w rowku przedniej nakładki i przymocować go do przedniej nakładki.

### 3、

#### 3.1

Zdemontować kołnierz wałka zawiasu po prawej stronie oraz pokrywę po lewej stronie drzwi.

#### 3.2

Docisnąć kabel sygnałowy po prawej stronie drzwi w rowek listwy dekoracyjnej i domknąć pokrywę.

#### 3.3

Wyciągnąć kabel sygnałowy z rowka po lewej stronie drzwi, docisnąć w kołnierzu wałka zawiasu, a następnie umieścić w listwie dekoracyjnej.

### 4、

#### 4.1

Zdemontować element metalowego ogranicznika po prawej stronie drzwi i przymocować go w odpowiednim miejscu po lewej stronie drzwi.



Odłączyć zasilanie i opróżnić urządzenie przed przystąpieniem do wykonywania czynności.

#### 4.2

Za pomocą śrubokrętu krzyżowego wymontować dolny zawias.

### 5、

A. Za pomocą kluczy lub szczypiec wymontować wałek zawiasu i zamocować go w lewym otworze zawiasowym.

B. Za pomocą śrubokrętu z łbem poprzecznym wykręcić śruby z lewej strony korpusu szafy zamrażarki i zamocować je z prawej strony. Zamocować dolny zawias z lewej strony.

### 6、

#### 6.1

Umieścić drzwi na wałku przytwierdzonym do komory.

### 7、

#### 7.1

Wyjąć dodatkowy zawias oraz osłonę zawiasu z szuflady zamrażarki i umieścić zdemontowany zawias oraz osłonę zawiasu w torbie, a następnie schować je w bezpiecznym miejscu.

#### 7.2

Umieścić zawias w otworze z lewej strony drzwi, a następnie przytwierdzić zawias za pomocą śrub i uziemić je, kładąc podkładki pod śrubami.

#### 7.3

Połączyć złącza na szafce ze złączami na drzwiach i przymocować osłonę zawiasu.

## ②(Rysunek ②)

1

- A. Open de deur
- B. Duw omlaag om de twee kleine deksels aan respectievelijk de linker- en rechterkant te verwijderen
- C. Wrik het voordeksel naar buiten

2

- A. Verwijder het kleine deksel aan de rechterkant van de behuizing van de deur met een schroevendraaier
- B. Verwijder de sierstroken door met een schroevendraaier naar binnen te wrikken

3

- A. Maak scharnierschroeven los met een kruiskopschroevendraaier. Verwijder het bovenste scharnier
- B. Koppel de kabelaansluiting los

4

- A. Beweeg de behuizing van de deur naar boven om deze te verwijderen
- B. Verwijder het onderste scharnier met een kruiskopschroevendraaier

5

- A. Gebruik sleutels of tangen om de pen van het scharnier te verwijderen en steek deze in het gat aan de linkerkant van de scharnier.
- B. Gebruik een kruiskopschroevendraaier om de schroeven uit de linkerkant van de behuizing van de kast te halen, en bevestig deze schroeven aan de rechterkant van de kast. Bevestig de onderste scharnier aan de linkerkant.

6

- A. Gebruik een platkopschroevendraaier om de schroefplug aan de rechterkant van de behuizing van de deur los te wrikken.
- B. Verwijder de pen van het bovenste scharnier en bevestig deze omgekeerd aan het scharnier. Verplaats de schroefplug naar de linkerkant en steek deze in het schroefgat.

## II

Zamiana strony otwierania uchwytu: zgodnie z różnymi konfiguracjami (rysunek wygląda inaczej).

Uchwyt pomocniczy: (Rysunek 1&2)

- A. Za pomocą śrubokręta z płaskim łbem odczepić górną osłonę uchwytu. Wykręcić dwie śruby, a następnie wymontować uchwyt.
- B. Za pomocą śrubokręta z płaskim łbem podważyć zatyczkę śruby z prawej strony korpusu drzwi. Przesunąć zatyczkę śruby w lewą stronę i zaślepić otwór na śrubę. Zamocować uchwyt z prawej strony i osłonić go.

7

- A. Podłączyć przewód sygnałowy w taśmie dekoracyjnej drzwi do terminala w zawiasie. Uwolnić wiązkę przewodów i umieścić ją w osłonie taśmy dekoracyjnej.
- B. Zamocować taśmy dekoracyjne i przypiąć ich małą osłonę z prawej strony.
- C. Zamknąć górną, przednią pokrywę szafki. Włożyć lewą i prawą, małą pokrywę w rowek.

Zwykły uchwyt: (Rysunek)

- A. Za pomocą śrubokręta z płaskim łbem odczepić górną osłonę uchwytu. Wykręcić dwie śruby, a następnie wymontować uchwyt.
- B. Za pomocą śrubokręta z płaskim łbem podważyć zatyczkę śruby z prawej strony korpusu drzwi. Przesunąć zatyczkę śruby w lewą stronę i zaślepić otwór na śrubę.
- C. Zamocować uchwyt z prawej strony i osłonić go.

# KONSERWACJA

## Rozmrażanie i czyszczenie

**ROZMRAŻANIE ZAMRAŻARKI:** Zamrażarka rozmraża się automatycznie. Nie wymaga to dodatkowych czynności ręcznych.

**CZYSZCZENIE:** Urządzenie należy regularnie czyścić, aby zapobiec brzydkiemu zapachowi przechowywanych produktów.

Przed rozpoczęciem czyszczenia zamrażarki odłączyć przewód zasilający.

Wyczyścić lodówkę ciepłą wodą za pomocą miękkiej szmatki lub gąbki (można dodać delikatnego środka czyszczącego).

Wyczyścić krople wody na powierzchni lodówki suchą szmatką.

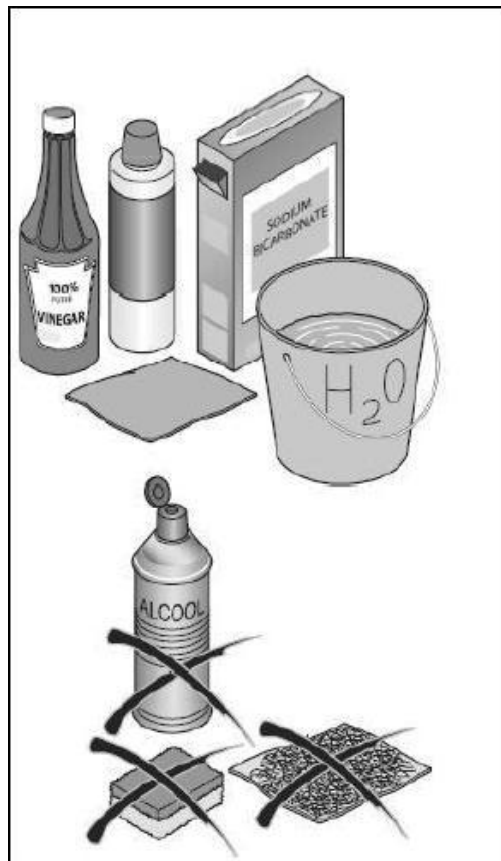
Należy zawsze utrzymywać w czystości uszczelkę drzwi.

**⚠** Lodówka jest bardzo ciężka. W przypadku przenoszenia jej w celu wyczyszczenia lub naprawy, należy uważać aby nie uszkodzić drzwi. Podczas przenoszenia zamrażarka powinna być ustawiona pionowo. Nie przemieszczać zamrażarki przechylając ją, aby uniknąć uszkodzenia podłogi.

**⚠** Nie ochlapywać ani nie sfluksiwać zamrażarki wodą, aby uniknąć uszkodzenia izolacji elektrycznej.

**⚠** Nie czyścić twardą szczotką, szczotką drucianą, środkiem czyszczącym w proszku, benzyną, octanem pentylu, acetonem ani innym, podobnymi roztworami organicznymi, ciepłą wodą ani roztworami kwasów lub zasad.

**⚠** Do czyszczenia ekranu wyświetlacza lub innych urządzeń elektrycznych nie wolno stosować suchej szmatki.



## Zakończenie użytkowania

Jeżeli zamrażarka nie będzie użytkowana przez dłuższy czas, należy odłączyć przewód zasilania i wyczyścić urządzenie w opisany wyżej sposób.

Zablokować drzwi zamrażarki w położeniu otwarcia, aby uniknąć zepsucia produktów pozostawionych w schowku.

**⚠** Aby zapewnić długi okres użytkowania urządzenia, nie należy wyłączać zamrażarki, o ile nie jest to konieczne.

## Przenoszenie zamrażarki

Odłączyć wtyczkę zasilającą i wyłączyć zasilanie.

Wyjąć żywność z zamrażarki.

Zabezpieczyć szuflady i inne ruchome części w zamrażarce za pomocą taśmy przylepnej.

Zamknąć drzwi i zabezpieczyć je taśmą przylepną, aby nie otworzyły się podczas przenoszenia.

Nie przechylać zamrażarki bardziej niż o 45 stopni (kąt względem położenia pionowego), aby uniknąć uszkodzenia układu chłodzącego podczas przenoszenia zamrażarki.

Owinąć stopy zamrażarki, aby uniknąć porysowania podłogi. Nie wolno przesuwając zamrażarki na siłę. Nie przeciągać zamrażarki za uchwyt, pokrywę lub przewody, aby uniknąć ich uszkodzenia i urazów.

**⚠** Nie ustawiać lodówki poziomo.

# ROZWIĄZYWANIE PROBLEMÓW

Przed skontaktowaniem się z serwisem należy najpierw zapoznać się z poniższą tabelą rozwiązywania problemów. Może ona pozwolić Państwu zaoszczędzić czas i ograniczyć wydatki. Tabela zawiera listę standardowych problemów, oprócz problemów wywołanych wadami fabrycznymi lub materiałowymi.

Polski

PROBLEMY	PRZYCZYNY	ROZWIĄZANIA
<b>Obsługa zamrażarki</b>		
Sprężarka nie działa	Urządzenie pracuje w cyklu rozmrażania. Zamrażarka nie jest podłączona do źródła zasilania. Urządzenie jest wyłączone.	<input type="checkbox"/> Jest to normalne w przypadku zamrażarki z funkcją automatycznego rozmrażania. <input type="checkbox"/> Sprawdzić, czy wtyczka, gniazdko lub bezpiecznik nie uległy uszkodzeniu. Jeżeli tak nie jest, włączyć zasilanie. <input type="checkbox"/> Nacisnąć przycisk włączania/wyłączania, aby ponownie włączyć zamrażarkę.
Zamrażarka włącza się często lub pracuje zbyt długo	Temperatura wewnątrz lub na zewnątrz jest zbyt wysoka. <input type="checkbox"/> Zamrażarka była wyłączona przez długi czas. <input type="checkbox"/> Zbyt często otwiera się drzwi lub pozostawia się je otwarte przez zbyt długi czas. <input type="checkbox"/> Drzwi zamrażarki nie są szczelnie zamknięte. <input type="checkbox"/> Ustawiono zbyt niską temperaturę. <input type="checkbox"/> Uszczelka drzwi jest brudna, zużyta, pęknięta lub niedopasowana. <input type="checkbox"/> Sprężarka jest brudna.	<input type="checkbox"/> W takim przypadku to normalne, że zamrażarka pracuje dłużej. <input type="checkbox"/> Zwykle całkowite schłodzenie zamrażarki trwa od 8 do 12 godzin. <input type="checkbox"/> Ciepłe powietrze wnika do zamrażarki i powoduje jej częste uruchamianie. Drzwi nie należy otwierać zbyt często. <input type="checkbox"/> Upewnić się, że zamrażarka jest ustawiona na płaskim podłożu i że żywność albo pojemnik nie blokują drzwi. <input type="checkbox"/> Ustawić wyższą temperaturę, aż do uzyskania zadowalającej temperatury wewnątrz zamrażarki. Dojście do żądanej temperatury zajmuje 24 godziny. <input type="checkbox"/> Wyczyścić lub wymienić uszczelkę drzwi. Szczelina odciekowa uszczelki drzwi wydłuża czas pracy sprężarki, potrzebny do utrzymania żądanej temperatury. <input type="checkbox"/> Wyczyścić skraplacz.
<b>Zbyt wysoka temperatura</b>		
Zbyt wysoka temperatura wewnątrz urządzenia	Zbyt często otwiera się drzwi lub pozostawia się je otwarte przez zbyt długi czas. <input type="checkbox"/> Temperatura jest ustawiona na zbyt dużą wartość. <input type="checkbox"/> Drzwi nie zamykają się szczelnie. <input type="checkbox"/> Skraplacz jest brudna.	Przy każdym otwarciu drzwi do lodówki wnika ciepłe powietrze. Należy w miarę możliwości jak najrzadziej otwierać drzwi. <input type="checkbox"/> Ponownie ustawić temperaturę. <input type="checkbox"/> Upewnić się, że zamrażarka jest ustawiona na płaskim podłożu i że żywność albo pojemnik nie blokują drzwi. <input type="checkbox"/> Wyczyścić skraplacz.
<b>Woda / wilgoć / szron na zewnątrz zamrażarki</b>		
Wilgoć gromadzi się na zewnętrznej powierzchni zamrażarki	<input type="checkbox"/> Wilgotne otoczenie. <input type="checkbox"/> Drzwi nie zamykają się szczelnie. Powoduje to kondensowanie zimnego powietrza wewnątrz zamrażarki i ciepłego na zewnątrz.	Jest to normalne w wilgotnym klimacie. Wilgoć zmniejsza się wraz ze spadkiem wilgotności powietrza. <input type="checkbox"/> Upewnić się, że podłoże jest płaskie i że drzwi nie są zablokowane przez żywność lub pojemniki; szczelnie zamknąć drzwi.

# ROZWIĄZYWANIE PROBLEMÓW

PROBLEMY	PRZYCZYNY	ROZWIĄZANIA
<b>Brzydki zapach w zamrażarce</b>		
Wnętrze zamrażarki jest brudne	Wnętrze zamrażarki wymaga wyczyszczenia. □ W zamrażarce przechowywana jest żywność wydzielająca mocny zapach.	Wyczyścić wnętrze lodówki. (Patrz Rozmrażanie i czyszczenie) □ Sprawdzić, czy nie doszło do zepsucia żywności. Wyjąć zepsutą żywność lub żywność wydzielającą mocny zapach z zamrażarki.
<b>W przypadku usłyszenia</b>		
krótkich sygnałów dźwiękowych	Drzwi zamrażarki są otwarte. □ Temperatura w zamrażarce jest zbyt wysoka. □ Niektóre części mogą być uszkodzone.	Zamknąć drzwi lub ręcznie wyłączyć alarm. □ Włączenie alarmu jest czymś normalnym podczas pierwszego uruchomienia lub podczas pierwszego chłodzenia żywności. Istnieje możliwość ręcznego wyłączenia alarmu. □ W tym celu należy się skontaktować z pracownikami obsługi posprzedażnej.
Nienormalny dźwięk	Zamrażarka nie jest umieszczona na płaskim podłożu. □ Zamrażarka dotyka przedmiotów w jej otoczeniu.	Wyregulować stopy, aby wypoziomować lodówkę. □ Usunąć przedmioty z jej otoczenia.
Delikatny dźwięk przypominający szum wody	Jest to dźwięk układu chłodzącego.	Normalny.
Ogrzewanie szafki	Układ chłodzący pracuje.	Zapobiega to kondensacji wilgoci i jest czymś normalnym.

## Tabliczka z nazwą

Tabliczka z nazwą znajduje się wewnątrz komory zamrażarki i jest przyklejona nisko u dołu, po lewej stronie.

Tabliczka z nazwą dostarcza ważnych informacji dotyczących urządzenia i nie wolno jej zmieniać ani zdejmować.

Pojemność i znamionowe zużycie energii na tabliczce z nazwą są zgodne z odpowiednimi normami.

Odnosnie szczegółów specyfikacji, należy zapoznać się z tabliczką znamionową i etykietą energetyczną wewnątrz produktu.

To urządzenie jest przeznaczone do użytku w temperaturze otoczenia wskazanej poniżej:

SN	+ 10°C~+32°C
N	+ 16°C~+32°C
ST	+ 16°C~+38°C
T	+ 16°C~+43°C

Minimalna gwarancja to: 2 lata dla krajów UE, 3 lata dla Turcji, 1 rok dla Wielkiej Brytanii, 1 rok dla Rosji, 3 lata dla Szwecji, 2 lata dla Serbii, 5 lat dla Norwegii, 1 rok dla Maroka, 6 miesięcy dla Algierii, Tunezja nie wymaga gwarancji prawnej."

„Termostaty, czujniki temperatury, płytki drukowane i źródła światła są dostępne przez okres co najmniej siedmiu lat po wprowadzeniu do obrotu ostatniej jednostki modelu.

Klamki drzwi, zawiasy drzwiowe, tace i kosze przez okres co najmniej siedmiu lat i uszczelki drzwi przez okres co najmniej 10 lat, po wprowadzeniu ostatniej jednostki modelu do obrotu”.

Ευχαριστούμε που αγοράσατε ένα προϊόν Haier.

Διαβάστε αυτές τις οδηγίες προσεκτικά πριν χρησιμοποιήσετε τη συσκευή. Οι οδηγίες περιέχουν σημαντικές πληροφορίες που θα σας βοηθήσουν να εκμεταλλευτείτε στο έπακρο τις δυνατότητες της συσκευής και να εξασφαλίσετε την ασφαλή και σωστή εγκατάσταση, χρήση και συντήρησή της.

Φυλάξτε αυτό το εγχειρίδιο σε βολικό σημείο, ώστε να μπορείτε πάντοτε να ανατρέχετε σε αυτό για την ασφαλή και σωστή χρήση της συσκευής.

Εάν πουλήσετε, χαρίσετε ή αφήσετε τη συσκευή στο προηγούμενό σας σπίτι μετά από μετακόμιση, φροντίστε να δώσετε αυτό το εγχειρίδιο στον επόμενο ιδιοκτήτη ώστε να μπορέσει να εξοικειωθεί με τη συσκευή και με τις προειδοποιήσεις για την ασφάλεια.

ΠΡΟΦΥΛΑΞΕΙΣ .....	3
ΠΡΙΝ ΑΠΟ ΤΗ ΧΡΗΣΗ .....	6
ΛΕΙΤΟΥΡΓΙΕΣ .....	8
ΣΥΝΤΗΡΗΣΗ .....	14
ΕΠΙΛΥΣΗ ΠΡΟΒΛΗΜΑΤΩΝ .....	15

# ΠΡΟΦΥΛΑΞΕΙΣ

## Επεξήγηση συμβόλων

- ⓘ Προσοχή
- ⚠ Προφύλαξη
- ⊘ Απαγόρευση

## Απόρριψη

Η εμφάνιση αυτού του συμβόλου επάνω στο προϊόν, στα αξεσουάρ ή στα υλικά που συνοδεύουν αυτές τις πληροφορίες υποδεικνύει ότι στο τέλος της ωφέλιμης ζωής του το προϊόν ή τα ηλεκτρονικά αξεσουάρ του (π.χ. φορτιστής, ακουστικό, καλώδιο USB) δεν πρέπει να απορρίπτονται με άλλα οικιακά απορρίμματα. Για να αποτρέψετε πιθανή βλάβη στο περιβάλλον και την ανθρώπινη υγεία από την ανεξέλεγκτη διάθεση απορριμμάτων, διαχωρίστε αυτά τα αντικείμενα από τους άλλους τύπους απορριμμάτων και ανακυκλώστε τα. Με τον τρόπο αυτό προωθείται η βιώσιμη επαναχρησιμοποίηση των υλικών πόρων.

Οι οικιακοί χρήστες θα πρέπει να επικοινωνήσουν είτε με το κατάστημα λιανικής πώλησης όπου αγόρασαν το προϊόν είτε με τις αρμόδιες τοπικές αρχές, για να πληροφορηθούν τον τρόπο με τον οποίο μπορούν να παραδώσουν αυτό το αντικείμενο για ανακύκλωση με τρόπο ασφαλή για το περιβάλλον. Οι επιχειρηματίες θα πρέπει να επικοινωνήσουν με τον προμηθευτή τους και να ελέγξουν τις συνθήκες αγοράς. Το προϊόν αυτό και τα ηλεκτρονικά αξεσουάρ του δεν θα πρέπει να αναμειγνύονται με άλλα εμπορικά απορρίμματα.



## Πριν από τη χρήση...

ⓘ Η συσκευή αυτή χρησιμοποιεί παροχή εναλλασσόμενου ρεύματος.

Συνδέστε τη συσκευή σε παροχή κανονικής τάσης. Αν παρουσιαστούν διακυμάνσεις τάσης, μπορεί να δημιουργηθούν προβλήματα στην εκκίνηση της λειτουργίας της συσκευής, βλάβη στον ελεγκτή θερμοκρασίας ή στο συμπιεστή ή να παράγονται μη φυσιολογικοί θόρυβοι. Στην περίπτωση αυτή, προσθέστε έναν κατάλληλο σταθεροποιητή τάσης.

ⓘ Χρησιμοποιήστε την κατάλληλη πρίζα.

Σε κάθε περίπτωση, βεβαιωθείτε ότι η πρίζα είναι συνδεδεμένη με καλώδιο γείωσης και μην κάνετε καμία τροποποίηση στο καλώδιο ρεύματος και στο φικ. Το φικ του καλωδίου ρεύματος πρέπει να είναι συνδεδεμένο σταθερά στην πρίζα, καθώς στην αντίθετη περίπτωση μπορεί να προκληθεί πυρκαγιά. Μετά την εγκατάσταση της συσκευής, το φικ πρέπει να είναι εύκολα προσβάσιμο, έτσι ώστε να μπορεί να αποσυνδεθεί σε περίπτωση ατυχήματος.

⊘ Μην προκαλείτε ζημιά στο καλώδιο ρεύματος.

Μην αποσυνδέετε το φικ τραβώντας το καλώδιο ρεύματος. Κρατήστε το φικ και αποσυνδέστε το απευθείας από την πρίζα.

Το σώμα της συσκευής δεν πρέπει να ασκεί πίεση ή να πατά πάνω στο καλώδιο ρεύματος.

⊘ Αν το καλώδιο ρεύματος υποστεί βλάβη:

Μην χρησιμοποιείτε το καλώδιο αν υποστεί βλάβη ή φθορά. Το φθαρμένο ή κατεστραμμένο καλώδιο πρέπει να αντικατασταθεί από τον πάροχο υπηρεσιών συντήρησης που καθορίζεται από τον κατασκευαστή, ή από κάποιον εξειδικευμένο τεχνικό.

Αν χρειάζεστε καλώδιο μεγαλύτερου μήκους, η περιοχή της διατομής του πρόσθετου καλωδίου ρεύματος δεν πρέπει να είναι μικρότερη από 0,75 mm<sup>2</sup>.

ⓘ Διατηρήστε τα ανοίγματα εξαερισμού στο περίβλημα της συσκευής ή στην ενσωματωμένη κατασκευή ελεύθερα από τυχόν εμπόδια.

ⓘ Στην περίπτωση εύφλεκτων αερίων, όπως κατά τις διαρροές φυσικού αερίου:

Κλείστε τη βαλβίδα που προκαλεί τη διαρροή του αερίου. Ανοίξτε τις πόρτες και τα παράθυρα του σπιτιού. ΜΗΝ αποσυνδέετε/συνδέετε το φικ ρεύματος της συσκευής ή άλλων ηλεκτρικών συσκευών.

ⓘ Προσέχετε τα κρουπαγήματα.

Μην αγγίζετε την εσωτερική επιφάνεια του θαλάμου αποθήκευσης όταν ο καταψύκτης βρίσκεται σε λειτουργία, ιδιαίτερα όταν τα χέρια σας είναι υγρά, επειδή μπορεί να παγώσουν πάνω στην επιφάνεια.

❗ Όταν η συσκευή δεν χρησιμοποιείται πλέον:

Διατηρήστε τη συσκευή μακριά από τη φωτιά, για να αποφύγετε τυχόν ατυχήματα. Αφαιρέστε την πόρτα της συσκευής (ανοίξτε και κρατήστε την πόρτα πριν αφαιρέσετε τις βίδες), για να αποφύγετε την είσοδο των παιδιών στο εσωτερικό της συσκευής και την πρόκληση ατυχήματος. Μεταφέρετε τη συσκευή στον καθορισμένο χώρο απόρριψης.

❗ Ανοίγετε την πόρτα από τη χειρολαβή.

❗ Μην αποθηκεύετε και μην χρησιμοποιείτε βενζίνη ή άλλα εύφλεκτα υλικά στην περιοχή του καταψύκτη, για να αποφύγετε την πρόκληση πυρκαγιάς.

❗ Μην αποθηκεύετε ποτέ εύφλεκτα υλικά, εκρηκτικά ή εξαιρετικά διαβρωτικά οξέα, αλκαλικά υγρά και άλλα χημικά στον καταψύκτη.

❗ Μην αποθηκεύετε ποτέ φιάλες μπίρας ή αναψυκτικών στον καταψύκτη, καθώς θα εκραγούν κατά τη διάρκεια της κατάψυξης.

❗ Μην χρησιμοποιείτε ηλεκτρικές συσκευές στο εσωτερικό των θαλάμων αποθήκευσης τροφίμων της συσκευής, εκτός αν ανήκουν σε τύπους που συνιστώνται από τον κατασκευαστή.

❗ Να είστε ιδιαίτερα προσεκτικοί με τα παιδιά.

❗ Εάν ο λαμπτήρας φωτισμού είναι κατεστραμμένος, πρέπει να αντικατασταθεί μόνο από τον κατασκευαστή ή από εξειδικευμένο άτομο που θα οριστεί από τον καθορισμένο πάροχο συντήρησης.



❗ Διατηρήστε τη συσκευή μακριά από το νερό.

Μην ψεκάζετε ή ξεπλένετε τον καταψύκτη με νερό και μην τον τοποθετείτε σε υγρό μέρος ή σε μέρος το οποίο είναι εύκολο να πιτσιλιστεί με νερό, ώστε να αποφύγετε τις επιπτώσεις στην απόδοση της ηλεκτρικής μόνωσης της συσκευής ή ακόμη και τον κίνδυνο ηλεκτροπληξίας ή πυρκαγιάς.

❗ Μην προκαλείτε ζημιά στο κύκλωμα του ψυκτικού υγρού.

Η αποσυναρμολόγηση και η τροποποίηση του καταψύκτη πρέπει να γίνεται από εξουσιοδοτημένα άτομα. Τυχόν έντονη μετακίνηση του καταψύκτη μπορεί να προκαλέσει βλάβη στους σωλήνες ψύξης. Η επισκευή της συσκευής πρέπει να εκτελείται από επαγγελματίες τεχνικούς.

❗ Αποσυνδέστε το φως ρεύματος στις εξής περιπτώσεις:

Πριν από τον καθαρισμό και τη συντήρηση ή στην περίπτωση βλάβης της συσκευής ή διακοπής ρεύματος, αποσυνδέστε το φως ρεύματος του καταψύκτη. Όταν αποσυνδέετε τη συσκευή, περιμένετε τουλάχιστον 5 λεπτά πριν την θέσετε ξανά σε λειτουργία, καθώς οι συχνές επανεκκινήσεις θα προκαλέσουν βλάβη στο συμπιεστή.

❗ Ο καταψύκτης είναι μια οικιακή συσκευή που προορίζεται μόνο για την αποθήκευση τροφίμων. Μην αποθηκεύετε αίμα, φάρμακα, βιολογικά σκευάσματα ή άλλα προϊόντα στη συσκευή.

❗ Διατηρήστε τα ανοίγματα εξαερισμού στο περίβλημα της συσκευής ή στην ενσωματωμένη κατασκευή ελεύθερα από τυχόν εμπόδια.

Η συσκευή δεν προορίζεται για χρήση από άτομα (συμπεριλαμβανομένων των παιδιών) με μειωμένες σωματικές, αισθητηριακές ή πνευματικές ικανότητες ή από άτομα χωρίς σχετική εμπειρία και γνώση, εκτός εάν επιβλέπονται ή έχουν λάβει οδηγίες σχετικά με τη χρήση της συσκευής από κάποιο άτομο υπεύθυνο για την ασφάλειά τους.

Η συσκευή προορίζεται για χρήση σε οικιακές ή παρόμοιες εφαρμογές, όπως

- κουζίνες προσωπικού σε καταστήματα, γραφεία και άλλα εργασιακά περιβάλλοντα
- αγροκτήματα και δωμάτια πελατών σε ξενοδοχεία, μοτέλ και άλλα περιβάλλοντα φιλοξενίας
- ξενοδοχεία τύπου bed and breakfast
- υπηρεσίες τροφοδοσίας και άλλες παρόμοιες μη εμπορικές εφαρμογές.

Συμβουλές εξοικονόμησης ενέργειας

Τοποθετήστε τη συσκευή σε δροσερό, ξηρό χώρο με επαρκή εξαερισμό.

Κατά την εγκατάσταση της συσκευής, διατηρήστε τουλάχιστον 10 εκ. ελεύθερου χώρου επάνω και γύρω από τον καταψύκτη, ώστε να εξασφαλίσετε επαρκή εξαερισμό γύρω από τη συσκευή.

Αφήνετε τα ζεστά τρόφιμα να κρυώσουν πριν τα τοποθετήσετε στη συσκευή.

Μην αφήνετε ανοιχτή την πόρτα της συσκευής για μεγάλο χρονικό διάστημα όταν τοποθετείτε ή αφαιρείτε τρόφιμα. Όσο συντομότερο είναι το χρονικό διάστημα κατά το οποίο η πόρτα μένει ανοιχτή, τόσο λιγότερος πάγος θα σχηματιστεί στο εσωτερικό του καταψύκτη.

# ΠΡΟΦΥΛΑΞΕΙΣ

Καθαρίζετε τακτικά την πίσω πλευρά του καταψύκτη. Η σκόνη αυξάνει την κατανάλωση ενέργειας. Μην επιλέγετε χαμηλότερη ρύθμιση θερμοκρασίας από αυτήν που χρειάζεται. Μην καλύπτετε τα ανοίγματα εξαερισμού.

## Κατάψυξη και αποθήκευση νωπών τροφίμων

Τα τρόφιμα πρέπει να αποθηκεύονται με ελεύθερο χώρο μεταξύ τους, καθώς αυτό είναι καλό για τον κύκλο ψύξης. Τα τρόφιμα πρέπει να αποθηκεύονται σε διαφορετικές κατηγορίες, έτσι ώστε να μπορείτε να τα βρίσκετε πιο εύκολα.

Τα τρόφιμα πρέπει να σφραγίζονται πριν αποθηκευτούν στον καταψύκτη, προκειμένου να αποφεύγεται η απώλεια νερού και η δημιουργία οσμών.

Η συσκευασία των τροφίμων πριν από την τοποθέτησή τους στον καταψύκτη είναι προαιρετική. Το εξωτερικό της συσκευασίας πρέπει να είναι στεγνό, ώστε να μην κολλούν οι σακούλες μεταξύ τους. Τα υλικά συσκευασίας πρέπει να είναι άοσμα, αεροστεγή, μη δηλητηριώδη και μη τοξικά.

Σας προτείνουμε να προσδιορίζετε τις μερίδες σημειώνοντας πληροφορίες ως εξής:

- Όνομα τροφίμων
- Βάρος μερίδας
- Ποσότητα (αριθμός τεμαχίων)
- Ημερομηνία κατάψυξης
- Ημερομηνία λήξης αποθήκευσης

Για τα κοινά χρονικά όρια αποθήκευσης των τροφίμων, ανατρέξτε στο διάγραμμα στο εσωτερικό του καταψύκτη:

## ΘΗΚΗ ΓΙΑ ΠΙΤΣΕΣ

		
<b>2-6</b>	<b>4-8</b>	<b>6-12</b>
		

- Μαγειρεμένα τρόφιμα, παγωτό, λουκάνικα, ψωμί
- Ψάρια, γαρίδες, αρνί, κρέας
- Λαχανικά, φρούτα, πουλερικά, μοσχάρι

Τα τρόφιμα θα πρέπει να είναι νωπά, ώριμα και καλής ποιότητας.

Τα νωπά λαχανικά και φρούτα πρέπει να καταψύχονται, εάν είναι εφικτό, αμέσως μετά τη συγκομιδή, ώστε να διατηρήσουν τα περισσότερα θρεπτικά συστατικά, τη δομή, την υφή, το χρώμα και τη γεύση τους.

Στην περίπτωση των κρεατικών και του κυνηγιού, συνιστάται να τα αφήσετε να σιτέψουν πριν τα βάλετε στην κατάψυξη.

Πρέπει να αφήνετε τα ζεστά τρόφιμα να κρυώσουν σε θερμοκρασία δωματίου πριν τα τοποθετήσετε στον καταψύκτη.

**!** Αφαιρείτε μόνο την απαιτούμενη ποσότητα τροφίμων από τον καταψύκτη. Τα αποψυγμένα τρόφιμα δεν μπορούν να καταψυχθούν ξανά εκτός αν μαγειρευτούν, καθώς στην αντίθετη περίπτωση μπορεί να είναι λιγότερο βρώσιμα.

Αποφεύγετε να τοποθετείτε τα νωπά τρόφιμα απευθείας σε επαφή με τρόφιμα που έχουν ήδη καταψυχθεί. Τα τρόφιμα που έχουν ήδη καταψυχθεί μπορεί να αποψυχθούν και να μην αντέξουν έως την προβλεπόμενη οριακή ημερομηνία αποθήκευσης.

Για τη σωστή κατάψυξη των τροφίμων, επιλέξτε τη λειτουργία ταχείας ψύξης (ανατρέξτε στο κεφάλαιο "Λειτουργίες") 2 ώρες πριν από την αποθήκευση των νωπών τροφίμων.

**!** Μην τοποθετείτε υπερβολικές ποσότητες φρέσκων τροφίμων στον καταψύκτη. Είναι καλύτερο να ανατρέχετε στην ικανότητα ψύξης του καταψύκτη.

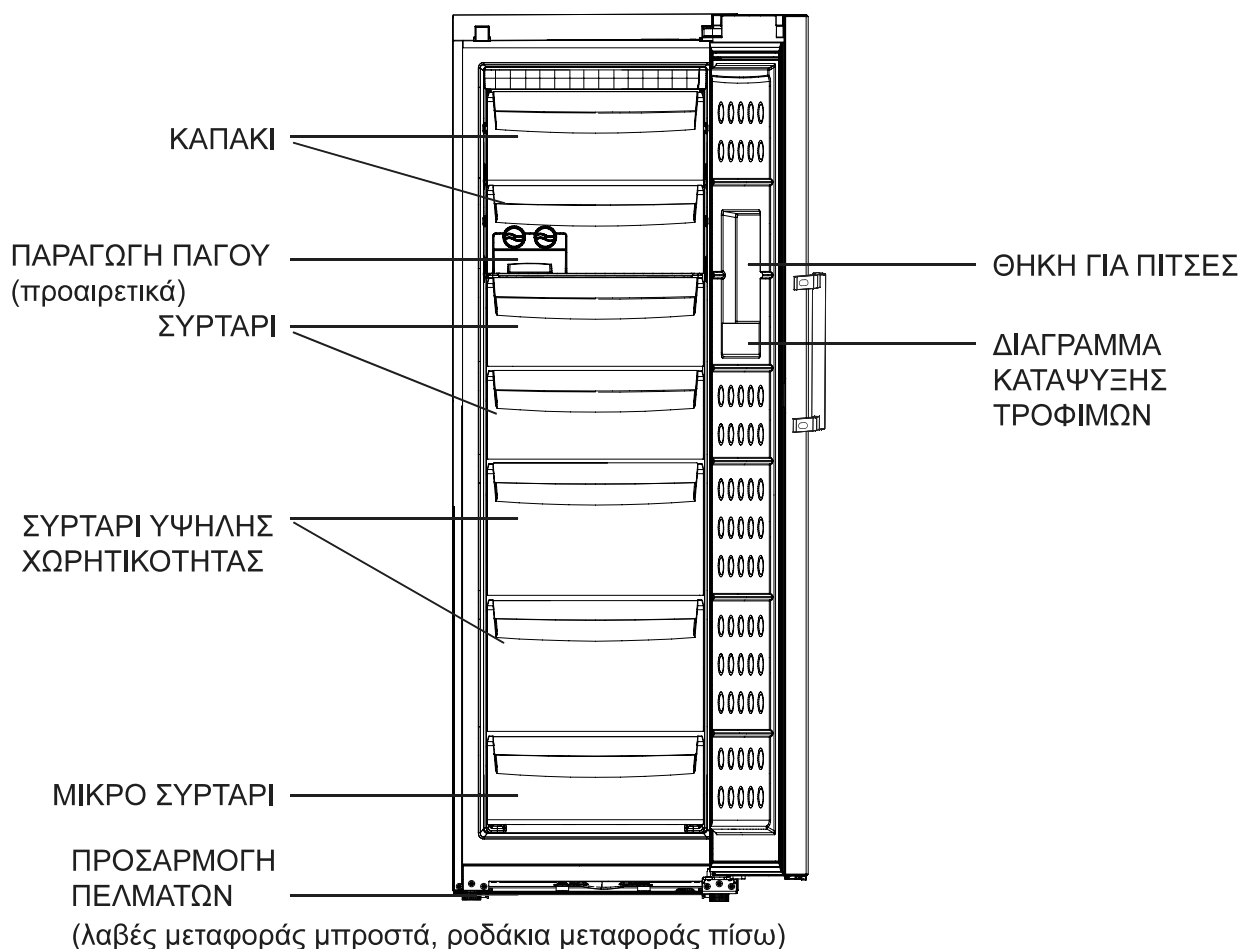
24 ώρες είναι συνήθως αρκετές για την ολοκλήρωση της διαδικασίας κατάψυξης. Μετά από αυτό το διάστημα, η λειτουργία θα απενεργοποιηθεί αυτόματα.

Όταν καταψύχετε τρόφιμα σε μικρές ποσότητες, μπορείτε να τερματίσετε τη λειτουργία με μη αυτόματο τρόπο μετά από μερικές ώρες, ώστε να αποφύγετε την άσκοπη κατανάλωση ενέργειας.

# ΠΡΙΝ ΑΠΟ ΤΗ ΧΡΗΣΗ

## Περιγραφή

Το διάγραμμα αυτό μπορεί να διαφέρει ελαφρώς από τη διάταξη του καταψύκτη που μόλις αγοράσατε.



Μπορείτε να αφαιρέσετε τα μεγάλα συρτάρια, τα συρτάρια υψηλής χωρητικότητας και το μικρό συρτάρι για να αυξήσετε το χώρο αποθήκευσης του καταψύκτη.

Διαφορετικά τρόφιμα θα πρέπει να τοποθετούνται σε διαφορετικές περιοχές ανάλογα με τις ιδιότητές τους

ΚΑΠΑΚΙ, ΜΙΚΡΟ ΣΥΡΤΑΡΙ

για το βούτυρο, τυρί, φρέσκα τρόφιμα, κλπ.

ΣΥΡΤΑΡΙΑ

Προϊόντα κρέατος, σνακ, τουρσί τρόφιμα, κλπ.

ΧΩΡΟΣ ΕΙΔΙΚΗΣ ΑΠΟΘΗΚΕΥΣΗΣ

Κονσερβοποιημένα τρόφιμα, tofu, γαλακτοκομικά, ζυμαρικά, κλπ.

Για συσκευές χωρίς διαμέρισμα 4 αστέρων: αυτή η ψυκτική συσκευή δεν είναι κατάλληλη για κατάψυξη τροφίμων

Για περισσότερες πληροφορίες σχετικά με το προϊόν, συμβουλευτείτε

<https://eprel.ec.europa.eu/> ή σαρώστε το QR στην ετικέτα ενέργειας που συσκευή.

Για να επικοινωνήσετε με την τεχνική βοήθεια, επισκεφθείτε την ιστοσελίδα μας:

<https://corporate.haier-europe.com/en/>

Στην ενότητα "ιστοσελίδα", επιλέξτε το εμπορικό σήμα του προϊόντος σας και τη χώρα σας.

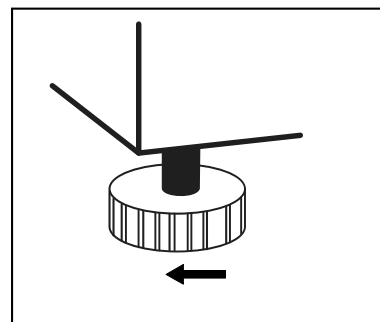
Θα μεταφερθείτε στη συγκεκριμένη ιστοσελίδα όπου μπορείτε να βρείτε το τηλέφωνο αριθμό και έντυπο για να επικοινωνήσετε με την τεχνική βοήθεια

Σημείωση: Αυτό το προϊόν περιέχει μια πηγή φωτός της ενεργειακής κλάσης απόδοσης <G>.

# ΠΡΙΝ ΑΠΟ ΤΗ ΧΡΗΣΗ

## Περιβάλλον εγκατάστασης

Ο καταψύκτης θα πρέπει να τοποθετηθεί σε επίπεδη και σταθερή επιφάνεια. Αν τοποθετήσετε τη συσκευή σε βάση, θα πρέπει να χρησιμοποιήσετε επίπεδα, ανθεκτικά και πυρίμαχα υλικά. Μην χρησιμοποιείτε ποτέ το αφρώδες υλικό συσκευασίας σαν βάση. Αν ο καταψύκτης δεν είναι απόλυτα σταθερός, μπορείτε να περιστρέψετε τα ρυθμιζόμενα πέλματα προς τα δεξιά ή προς τα αριστερά, ώστε να αυξήσετε ή να μειώσετε το ύψος τους. Για να εξασφαλίσετε τη σωστή απόδοση του καταψύκτη, μην τον τοποθετείτε στο άμεσο ηλιακό φως ή σε μέρη όπου είναι εκτεθειμένος σε θερμαντικά σώματα. Τοποθετήστε τον καταψύκτη σε μέρος με σωστό εξαερισμό και διατηρήστε ελεύθερο χώρο τουλάχιστον 10 εκ. επάνω και γύρω του.



Μην τοποθετείτε ποτέ τον καταψύκτη σε περιοχές με υγρασία ή σε θέση όπου μπορεί να πιτσιλιστεί από νερά. Καθαρίστε και στεγνώστε τυχόν πιτσιλίσματα και λεκέδες από νερό με ένα μαλακό πανί, ώστε να αποφύγετε τη δημιουργία σκουριάς.

Μην τοποθετείτε τον καταψύκτη σε χώρους με πολύ χαμηλή θερμοκρασία (μικρότερη από 5°C). Μην φυλάσσετε τον καταψύκτη σε εξωτερικούς χώρους και μην τον εκθέτετε στη βροχή.

## Προετοιμασία πριν από τη χρήση

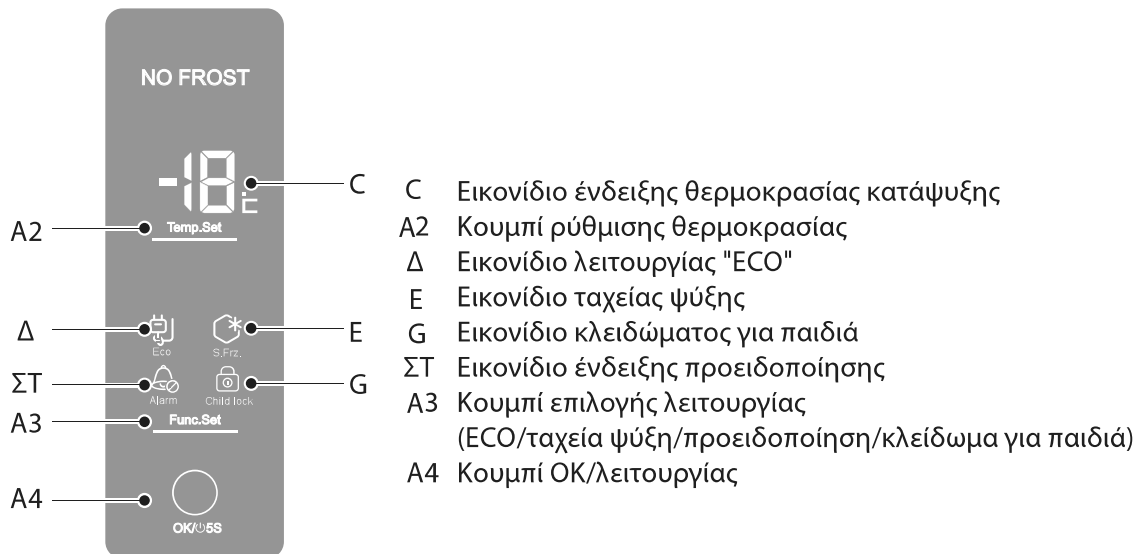
Αφαιρέστε όλα τα υλικά συσκευασίας, την αφρώδη βάση και την αυτοκόλλητη ταινία συγκράτησης των αξεσουάρ.

Τοποθετήστε τον καταψύκτη σε κατάλληλη θέση (ανατρέξτε στην ενότητα "Περιβάλλον εγκατάστασης").

Καθαρίστε το εσωτερικό και το εξωτερικό του καταψύκτη πριν από τη χρήση (ανατρέξτε στην ενότητα "Απόψυξη και καθαρισμός").

Αφού σταθεροποιήσετε και καθαρίσετε τη συσκευή, αφήστε την να παραμείνει σε αδράνεια για τουλάχιστον 6 ώρες πριν την ενεργοποιήσετε, ώστε να εξασφαλίσετε την κανονική λειτουργία της.

## Πίνακας ελέγχου



## Εκκίνηση λειτουργίας

"Σημείωση: Ο προειδοποιητικός ήχος υψηλής θερμοκρασίας δεν θα ηχήσει όταν ο καταψύκτης ανάψει για πρώτη φορά. Θα ηχήσει μόνο μετά από 3 ώρες εφόσον ο καταψύκτης δεν έχει ψυχθεί κάτω από 0°C".

Τοποθετήστε το φινιρίσμα στην πρίζα για να ενεργοποιήσετε τον καταψύκτη. Την παρούσα στιγμή το πλέγμα C προβάλλει την τρέχουσα θερμοκρασία στο εσωτερικό του καταψύκτη.

Η λυχνία LED "Alarm" (ΣΤ) και το ηχητικό σήμα επισημαίνουν ότι η θερμοκρασία στο εσωτερικό του καταψύκτη δεν είναι αρκετά χαμηλή για την αποθήκευση τροφίμων. Αν πατήσετε το κουμπί A3 για να επιλέξετε τη λειτουργία προειδοποίησης "Alarm" και στη συνέχεια πατήσετε το κουμπί A4, μπορείτε να απενεργοποιήσετε το ηχητικό σήμα. Ωστόσο, η προειδοποιητική λυχνία θα παραμείνει αναμμένη έως ότου η θερμοκρασία του καταψύκτη να φτάσει στους 0°C.

Όταν στην οθόνη εμφανιστεί η ένδειξη θερμοκρασίας 0°C, η κατάσταση προειδοποίησης τερματίζεται αυτόματα και ο καταψύκτης είναι έτοιμος για την αποθήκευση τροφίμων.

Ελέγξτε τον πίνακα ελέγχου:

Πατήστε οποιοδήποτε κουμπί στην οθόνη ενδείξεων και ελέγξτε εάν η περιοχή της θερμοκρασίας και το επιλεγμένο εικονίδιο φωτίζονται.

Ρυθμίστε τη θερμοκρασία:

Για να ρυθμίσετε τη θερμοκρασία, πατήστε το κουμπί A2. Κατά τη ρύθμιση της θερμοκρασίας, οι δύο αριθμοί στην οθόνη αναβοσβήνουν εμφανίζοντας το σημείο ρύθμισης. Αν εξακολουθήσετε να πατάτε αυτό το κουμπί, μπορείτε να τροποποιήσετε κυκλικά το σημείο ρύθμισης με μείωση της τιμής από -14°C έως -26°C.

Αν δεν πατήσετε το κουμπί OK μέσα σε 5 δευτερόλεπτα, το σημείο ρύθμισης θα αποθηκευτεί αυτόματα.

Αφού ρυθμίσετε τη θερμοκρασία, οι δύο αριθμοί στην οθόνη επανέρχονται στην ένδειξη της θερμοκρασίας του καταψύκτη.

Η ρύθμιση της θερμοκρασίας από τον κατασκευαστή είναι -18°C. Συστήνουμε να χρησιμοποιείτε την προεπιλογή, η οποία δεν απαιτεί άλλη ρύθμιση.

Λειτουργία ενεργοποίησης:

Πατήστε το κουμπί A4 για 5 δευτερόλεπτα για να απενεργοποιήσετε τον καταψύκτη. Πατήστε το ξανά για να επανέλθει σε λειτουργία.

**⚠** Πριν από οποιαδήποτε διαδικασία καθαρισμού, βεβαιωθείτε ότι έχετε αποσυνδέσει τη συσκευή από την παροχή ρεύματος τραβώντας το φινιρίσμα. Η απενεργοποίηση της συσκευής από το κουμπί λειτουργίας δεν επαρκεί.

# ΛΕΙΤΟΥΡΓΙΕΣ

## Λειτουργίες καταψύκτη

**ΤΑΧΕΙΑ ΨΥΞΗ:** Πατήστε το κουμπί A3 για να επιλέξετε τη λειτουργία "S.FRZ". Στη συνέχεια, αν πατήσετε το κουμπί A4, μπορείτε να ενεργοποιήσετε την ταχεία ψύξη των νωπών τροφίμων.

Η ειδική λυχνία (E) ανάβει, επισημαίνοντας ότι η λειτουργία έχει ενεργοποιηθεί.

Η λυχνία παραμένει αναμμένη μέχρι να απενεργοποιήσετε τη λειτουργία.

Για να καταψύξετε μεγάλη ποσότητα τροφίμων σε μία φορά, συνιστάται να ενεργοποιήσετε τη λειτουργία 30 ώρες πριν τοποθετήσετε τα τρόφιμα. Η λειτουργία θα τερματιστεί επίσης αυτόματα μετά από 56 ώρες, ή μπορείτε να την τερματίσετε εσείς με μη αυτόματο τρόπο. Όταν η λειτουργία αυτή είναι ενεργοποιημένη, η κατανάλωση ρεύματος αυξάνεται.

**ΛΕΙΤΟΥΡΓΙΑ ECO:** Όταν η οθόνη είναι ξεκλειδωτή, αν πατήσετε το κουμπί A3 για να επιλέξετε τη λειτουργία "ECO" και στη συνέχεια πατήσετε το κουμπί A4, μπορείτε να ενεργοποιήσετε τη λειτουργία εξοικονόμησης ενέργειας, ρυθμίζοντας τη θερμοκρασία μεταξύ του εύρους τιμών -18°C και -14°C. Αν έχετε επιλέξει θερμοκρασία -19°C ή χαμηλότερη, η ρύθμιση θα οριστεί αυτόματα στους -18°C όταν ενεργοποιηθεί η λειτουργία ECO. Αν η λειτουργία αυτή είναι ενεργοποιημένη, η λυχνία LED "Δ" θα παραμείνει αναμμένη μέχρι να την απενεργοποιήσετε.

Μπορείτε να πατήσετε το κουμπί A3 για να επιλέξετε τη λειτουργία "ECO" και στη συνέχεια να πατήσετε το κουμπί A4 για να απενεργοποιήσετε τη λειτουργία.

Οι λειτουργίες "ECO" και "Ταχεία ψύξη" δεν μπορούν να χρησιμοποιηθούν ταυτόχρονα.

**ΛΕΙΤΟΥΡΓΙΑ ECO 2:** Όταν η θερμοκρασία έχει ρυθμιστεί εντός ενός εύρους από -23°C έως -26°C, αφότου ο καταψύκτης έχει λειτουργήσει για 56 ώρες, θα τεθεί αυτόματα στους -22°C, ώστε να εξοικονομηθεί ενέργεια και να διατηρηθούν τα τρόφιμα με αποτελεσματικό τρόπο. Τα κανονικά τρόφιμα μπορούν να διατηρούνται με αποτελεσματικό τρόπο στους -18°C ή χαμηλότερα. Μια πολύ χαμηλή ρύθμιση της θερμοκρασίας θα αυξήσει την κατανάλωση ρεύματος. (Αυτή η λειτουργία δεν χρειάζεται να ρυθμίζεται χειροκίνητα.)

Η διαμόρφωση της επιπλέον εξοικονόμησης ενέργειας απαιτεί να τοποθετούνται στη συσκευή το συρτάρι, το κουτί τροφίμων και τα ράφια στη κατάσταση που παραλαμβάνονται από το εργοστάσιο, και τα τρόφιμα να τοποθετούνται χωρίς να εμποδίζεται η έξοδος του αέρα του αγωγού.

**Κλειδώμα για τα παιδιά:** Όταν η οθόνη είναι ξεκλειδωτή, αν πατήσετε το κουμπί A3 για να επιλέξετε τη λειτουργία "Κλειδώμα για τα παιδιά" και στη συνέχεια πατήσετε το κουμπί A4, η λειτουργία θα ενεργοποιηθεί. Ξεκλειδώμα: Αν πατήσετε οποιοδήποτε κουμπί στην οθόνη, η οθόνη ενδείξεων και το κουμπί της λειτουργίας κλειδώματος για τα παιδιά θα φωτιστούν. Αν πατήσετε το κουμπί A3, το κουμπί της λειτουργίας κλειδώματος για τα παιδιά αναβοσβήνει. Αν πατήσετε το κουμπί A4, η οθόνη θα ξεκλειδώσει.

Όταν η οθόνη είναι κλειδωμένη, το κουμπί A2 δεν λειτουργεί. Όταν πιεστεί το κουμπί A3 μόνο η λειτουργία κλειδώματος για παιδιά είναι ενεργοποιημένη, στη συνέχεια απενεργοποιείται η ισχύς του κουμπιού A4.

## Προειδοποιητικά σήματα

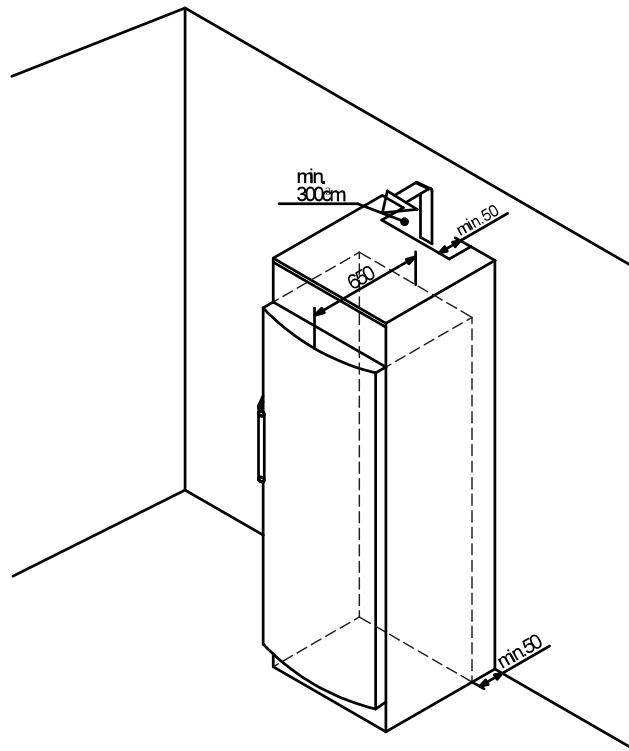
**ΠΡΟΕΙΔΟΠΟΙΗΣΗ ΘΕΡΜΟΚΡΑΣΙΑΣ:** Αν η θερμοκρασία στο εσωτερικό του καταψύκτη είναι μεγαλύτερη από 0°C, ο βομβητής παράγει ένα διακοπτόμενο ήχο και η λυχνία LED "ΣΤ" αναβοσβήνει, επισημαίνοντας την προειδοποίηση θερμοκρασίας. Στην οθόνη εμφανίζεται ο κωδικός "HH".

Αφού ξεκλειδώσετε την οθόνη, πατήστε το κουμπί A3 για να επιλέξετε τη λειτουργία προειδοποίησης "Alarm". Στη συνέχεια, αν πατήσετε το κουμπί A4, μπορείτε να σταματήσετε το ηχητικό σήμα, αλλά η κατάσταση της προειδοποίησης θα συνεχιστεί μέχρι η εσωτερική θερμοκρασία να πέσει κάτω από 0°C.

**ΠΡΟΕΙΔΟΠΟΙΗΣΗ ΠΟΡΤΑΣ:** Αν η πόρτα παραμείνει ανοιχτή για 60 δευτερόλεπτα, ο βομβητής παράγει ένα διακοπτόμενο ήχο επισημαίνοντας τη μη φυσιολογική κατάσταση. Η κατάσταση προειδοποίησης θα τερματιστεί αν κλείσετε την πόρτα ή αν πατήσετε το κουμπί για να επιλέξετε τη λειτουργία "Alarm" και στη συνέχεια πατήσετε το κουμπί OK. Στη δεύτερη περίπτωση, η κατάσταση προειδοποίησης θα επανεκκινηθεί μετά από 120 δευτερόλεπτα, αν η πόρτα εξακολουθεί να είναι ανοιχτή.

Την παρούσα στιγμή διεξάγετε έλεγχο σύμφωνα με τις εξής διαδικασίες: (1) Εάν η πόρτα κλείνει και ανοίγει καλά. (2) Εάν η πόρτα ανοίγει συχνά ή εάν ανοίγει για πολύ ώρα. (3) Εάν τοποθετούνται ταυτόχρονα πολλά τρόφιμα μαζί. Εάν ισχύουν οι ανωτέρω συνθήκες, μπορείτε να ακυρώσετε την προειδοποίηση. Έως ότου πέσει η θερμοκρασία στο εσωτερικό του καταψύκτη στους 0°C ή χαμηλότερα, θα εξαφανιστεί η προβαλλόμενη ένδειξη "HH".

## Εντοιχισμός σε σειρά ντουλαπιών κουζίνας



Η συσκευή μπορεί να εντοιχιστεί σε μια σειρά ντουλαπιών κουζίνας. Για να προσαρμόσετε τη συσκευή στο ύψος των ντουλαπιών, μπορείτε να προσθέσετε ένα κατάλληλο οριζόντιο ντουλάπι. Κατά τον εντοιχισμό της συσκευής σε μια σειρά τυπικών ντουλαπιών κουζίνας (μέγ. βάθος 580 mm), ο καταψύκτης μπορεί να εγκατασταθεί απευθείας δίπλα στο ντουλάπι. Η πόρτα της συσκευής προεξέχει από τη μπροστινή πλευρά του ντουλαπιού της κουζίνας κατά 34 mm στο πλάι και κατά 55 mm στο μέσο της συσκευής. Με τον τρόπο αυτό, ανοίγει και κλείνει χωρίς κανένα πρόβλημα. Για μόνιμη συσκευή: η παρούσα ψυκτική συσκευή δεν προορίζεται να χρησιμοποιηθεί ως ενσωματωμένη συσκευή

Σημαντικές σημειώσεις για τον εξαερισμό:

Στην πίσω πλευρά του οριζόντιου ντουλαπιού πρέπει να υπάρχει αγωγός εξαερισμού με βάθος τουλάχιστον 50 mm σε όλο το πλάτος του οριζόντιου ντουλαπιού.

Ο χώρος εξαερισμού κάτω από την οροφή πρέπει να είναι τουλάχιστον 300 cm<sup>2</sup>.

Όσο μεγαλύτερος είναι ο χώρος εξαερισμού, τόσο μεγαλύτερη είναι η εξοικονόμηση ενέργειας κατά τη λειτουργία της συσκευής.

Αν η συσκευή έχει εγκατασταθεί με τους μεντεσέδες δίπλα σε τοίχο, η απόσταση ανάμεσα στη συσκευή και στον τοίχο πρέπει να είναι τουλάχιστον 55 mm. Οι διαστάσεις αυτές αντιστοιχούν στην προβολή της χειρολαβής όταν η πόρτα είναι ανοιχτή.

## Πληροφορίες χρήστη

### 1. ΑΝΟΙΓΜΑ ΚΑΠΑΚΙΟΥ

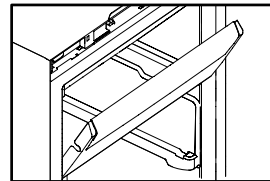
Για να ανοίξετε τα επάνω καπάκια, ανασηκώστε τα ελαφρά και στρέψτε τα από μέσα προς τα έξω.

Ανοίξτε το καπάκι για να τοποθετήσετε τα τρόφιμα στο εσωτερικό του συρταριού.

Κλείστε το καπάκι για να αποφύγετε την επαφή με την πόρτα.

Μπορείτε να αφαιρέσετε το καπάκι για να αυξήσετε το χώρο αποθήκευσης.

**ΣΗΜΕΙΩΣΗ:** Τα δύο επάνω επίπεδα είναι εξοπλισμένα με καπάκια. Μην τοποθετείτε φαγητό στο μπροστινό μέρος του γυαλιού, γιατί μπορεί τα καπάκια να μην κλείσουν σωστά. Αν συμβεί κάτι τέτοιο, ελέγξτε τα τρόφιμα, αλλάξτε τη θέση τους και κλείστε ξανά τα καπάκια. **Προειδοποίηση:** Πριν κλείσετε την πόρτα, ελέγξτε αν έχουν κλείσει τα καπάκια. Μην κλείσετε την πόρτα πριν κλείσουν καλά τα καπάκια, γιατί μπορεί να δημιουργηθεί πρόβλημα.



### 2. ΑΦΑΙΡΕΣΗ ΣΥΡΤΑΡΙΩΝ

Τραβήξτε εντελώς τα συρτάρια προς τα έξω και στη συνέχεια ανασηκώστε τα ελαφρώς για να τα αφαιρέσετε. Τα συρτάρια (εκτός από το κάτω συρτάρι) μπορούν να αφαιρεθούν, αν θέλετε να αυξήσετε τον χώρο αποθήκευσης.

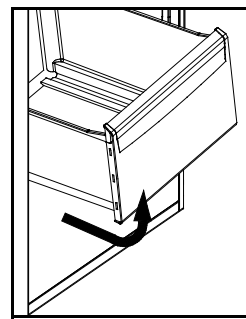
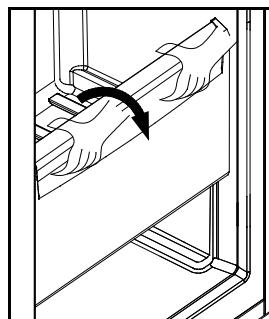
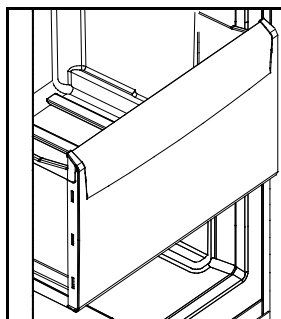
Σε ορισμένα μοντέλα υπάρχουν διαθέσιμοι μηχανισμοί ολίσθησης.

### 3. ΣΥΡΤΑΡΙ ΥΨΗΛΗΣ ΧΩΡΗΤΙΚΟΤΗΤΑΣ

Τραβήξτε εντελώς το συρτάρι υψηλής χωρητικότητας προς τα έξω.

Ανασηκώστε το και τραβήξτε το για να το αφαιρέσετε από τους τηλεσκοπικούς οδηγούς.

**ΣΗΜΕΙΩΣΗ:** Σε ορισμένα μοντέλα, τα μεγάλα συρτάρια διαθέτουν ράγες. Για να αφαιρέσετε το συρτάρι: Πρώτα αδειάστε το από τρόφιμα. Στη συνέχεια, σπρώξτε το συρτάρι προς τα μέσα μέχρι τέλος, ανασηκώστε το πίσω μέρος και τραβήξτε το προς τα έξω. Μην ανασηκώνετε το συρτάρι μέχρι επάνω, γιατί μπορεί να μπλοκάρει. Αν συμβεί κάτι τέτοιο, σπρώξτε το μέχρι το τέλος και επαναλάβετε ξανά τα βήματα.

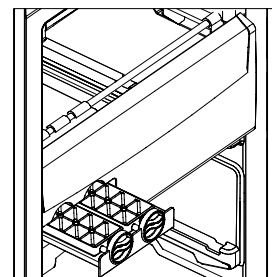
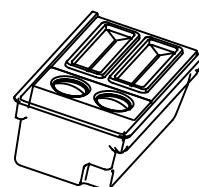


### 4. ΠΑΡΑΓΩΓΗ ΠΑΓΟΚΥΒΩΝ

Ορισμένα μοντέλα είναι εξοπλισμένα με σύστημα πάγου, το οποίο περιλαμβάνει θήκες παγοκύβων με συσκευή αφαίρεσης και κάδο συλλογής του πάγου.

A

B



### 5. Αφαιρέστε τις παγοθήκες.

Καθαρίστε τις και γεμίστε τις με νερό. Τοποθετήστε ξανά τις παγοθήκες στα εξαρτήματα στήριξης.

Περιμένετε μερικές ώρες, μέχρι να ετοιμαστεί ο πάγος, και στη συνέχεια γυρίστε τα στρογγυλά κουμπιά για να αφαιρέσετε τους παγοκύβους.

Τα παγάκια θα πέσουν απευθείας στο εσωτερικό του δοχείου συλλογής πάγου.

6. Στα πλαίσια της πόρτας μπορείτε να τοποθετήσετε συσκευασμένες πίτσες με πάχος μικρότερο από 30 mm ή άλλα τρόφιμα με λεπτή συσκευασία.

Σε ορισμένα μοντέλα υπάρχουν διαθέσιμες παγοκύστες. Μπορείτε επίσης να αγοράσετε παγοκύστες και να τις τοποθετήσετε στον καταψύκτη. Το πάχος των παγοκυστών πρέπει να είναι μικρότερο από 30 mm.

**I** Αντιστροφή πόρτας:  
αποσυναρμολόγηση πόρτας από τα δεξιά (①&②).  
(Η γραφική αντιπροσώπηση στο βιβλιάριο οδηγίας  
διαρκεί τη σελίδα.)

## ① (αριθμός ①)

### 1、

#### 1.1

Χρησιμοποιήστε ένα κατσαβίδι με επίπεδη κεφαλή για να αποσυναρμολογήσετε το κάλυμμα μεντεσέ στη δεξιά πλευρά, στη συνέχεια αποσυνδέστε τον ακροδέκτη που είναι συνδεδεμένος στο άνω μέρος του μεντεσέ.

#### 1.2

Χρησιμοποιήστε ένα σταυροκατσάβιδο για να λασκάρετε τις βίδες μεντεσέ. Απομακρύνετε τον άνω μεντεσέ.

#### 1.3

Μετακινήστε το συγκρότημα πόρτας προς τα επάνω για να απομακρύνετε το συγκρότημα πόρτας.

### 2、

#### 2.1

Χρησιμοποιήστε ένα κατσαβίδι με επίπεδη κεφαλή για να αποσυναρμολογήσετε το μικρό κάλυμμα στην αριστερή πλευρά του θαλάμου. Εγκαταστήστε το μέσα στην οπή στη δεξιά πλευρά του θαλάμου.

#### 2.2

Απομακρύνετε την πλάκα επικάλυψης στο μπροστινό μέρος του θαλάμου, μετά τραβήξτε το καλώδιο σήματος στην αριστερή πλευρά του θαλάμου.

#### 2.3

Τοποθετήστε το καλώδιο σήματος μέσα στην εγκοπή στην πλάκα μπροστινού καλύμματος και σφίξτε το με την μπροστινή πλάκα καλύμματος.

### 3、

#### 3.1

Αποσυναρμολογήστε το χιτώνιο άξονα μεντεσέ στη δεξιά πλευρά και το κάλυμμα στην αριστερή πλευρά της πόρτας.

#### 3.2

Πιέστε το καλώδιο σήματος στη δεξιά πλευρά της πόρτας μέσα στην εγκοπή στη διακοσμητική λωρίδα και κλείστε το κάλυμμα.

#### 3.3

Τραβήξτε έξω το καλώδιο σήματος από την εγκοπή στην αριστερή πλευρά της πόρτας και ωθήστε το μέσα στο χιτώνιο άξονα μεντεσέ, μετά βάλτε το μέσα στη διακοσμητική λωρίδα.



Αποσυνδέστε τη συσκευή από το ρεύμα και αφαιρέστε τα τρόφιμα πριν ξεκινήσετε τη διαδικασία.

#### 3.3

Τραβήξτε έξω το καλώδιο σήματος από την εγκοπή στην αριστερή πλευρά της πόρτας και ωθήστε το μέσα στο χιτώνιο άξονα μεντεσέ, μετά βάλτε το μέσα στη διακοσμητική λωρίδα.

### 4、

#### 4.1

Αποσυναρμολογήστε το μεταλλικό εγκάρσιο τεμάχιο στόπερ στη δεξιά πλευρά του συγκροτήματος πόρτας, μετά εγκαταστήστε το στην αντίστοιχη θέση στην αριστερή πλευρά του συγκροτήματος πόρτας.

#### 4.2

Χρησιμοποιήστε ένα σταυροκατσάβιδο για να απομακρύνετε τον κάτω μεντεσέ.

### 5、

A. Χρησιμοποιήστε κλειδί ή πένσα για να αφαιρέσετε τον άξονα του μεντεσέ και τοποθετήστε τον στην αριστερή οπή του μεντεσέ.  
B. Χρησιμοποιήστε ένα σταυροκατσάβιδο για να αφαιρέσετε τις βίδες στην αριστερή πλευρά του σώματος του θαλάμου και τοποθετήστε τις βίδες στη δεξιά πλευρά του θαλάμου. Τοποθετήστε τον κάτω μεντεσέ στην αριστερή πλευρά.

### 6、

#### 6.1

Εγκαταστήστε το συγκρότημα πόρτας επάνω στον άξονα στο συγκρότημα θαλάμου.

### 7、

#### 7.1

Βγάλτε έξω τον επιπρόσθετο μεντεσέ και το κάλυμμα του από το συρτάρι καταψύκτη, τοποθετήστε τον αποσυναρμολογημένο μεντεσέ και το κάλυμμα του μέσα σε μια τσάντα και φυλάξτε τα.

#### 7.2

Εισαγάγετε το μεντεσέ μέσα στην οπή στην αριστερή πλευρά του συγκροτήματος πόρτας, μετά χρησιμοποιήστε τις βίδες για να σφίξετε το μεντεσέ και γειώστε τις τοποθετώντας ροδέλες κάτω από τις βίδες.

#### 7.3

Συνδέστε τους ακροδέκτες στο θάλαμο με τους ακροδέκτες στο συγκρότημα πόρτας, μετά σφίξτε επάνω το κάλυμμα μεντεσέ.

## ②(αριθμός②)

1

- A. Ανοίξτε την πόρτα.  
B. Πιέστε με δύναμη προς τα κάτω για να αφαιρέσετε τα δύο μικρά καλύμματα στην αριστερή και τη δεξιά πλευρά αντίστοιχα.  
Γ. Ανασηκώστε το εμπρός κάλυμμα προς τα έξω.

2

- A. Χρησιμοποιήστε ένα κατσαβίδι για να αφαιρέσετε το μικρό κάλυμμα στη δεξιά πλευρά του σώματος της πόρτας.  
B. Χρησιμοποιήστε ένα κατσαβίδι για να ανασηκώσετε τις διακοσμητικές λωρίδες προς τα μέσα και να τις αφαιρέσετε.

3

- A. Χρησιμοποιήστε ένα σταυροκατσάβιδο για να χαλαρώσετε τις βίδες των μεντεσέδων Αφαιρέστε τον επάνω μεντεσέ.  
B. Αποσυνδέστε τον ακροδέκτη της καλωδίωσης.

4

- A. Μετακινήστε το σώμα της πόρτας προς τα επάνω για να το αφαιρέσετε.  
B. Χρησιμοποιήστε ένα σταυροκατσάβιδο για να αφαιρέσετε τον κάτω μεντεσέ.

5

- A. Χρησιμοποιήστε κλειδί ή πένσα για να αφαιρέσετε τον άξονα του μεντεσέ και τοποθετήστε τον στην αριστερή οπή του μεντεσέ.  
B. Χρησιμοποιήστε ένα σταυροκατσάβιδο για να αφαιρέσετε τις βίδες στην αριστερή πλευρά του σώματος του θαλάμου και τοποθετήστε τις βίδες στη δεξιά πλευρά του θαλάμου. Τοποθετήστε τον κάτω μεντεσέ στην αριστερή πλευρά.

6

- A. Χρησιμοποιήστε ένα κατσαβίδι με επίπεδη κεφαλή για να ανασηκώσετε και να αφαιρέσετε την τάπα της βίδας στη δεξιά πλευρά του σώματος της πόρτας.  
B. Αφαιρέστε τον άξονα του επάνω μεντεσέ και τοποθετήστε τον στο μεντεσέ από την αντίστροφη πλευρά. Μετακινήστε την τάπα της βίδας στην αριστερή πλευρά και τοποθετήστε την στην οπή της βίδας.

## II

Κατεύθυνση για την αντικατάσταση της χειρολαβής: ανάλογα με τις διαμορφώσεις (η εικόνα διαφέρει).

Βοηθητική λαβή: (αριθμός1&2)

- A. Χρησιμοποιήστε ένα κατσαβίδι με επίπεδη κεφαλή για να ανασηκώσετε και να αφαιρέσετε το επάνω κάλυμμα της χειρολαβής. Αφαιρέστε τις δύο βίδες και στη συνέχεια αφαιρέστε τη χειρολαβή.  
B. Χρησιμοποιήστε ένα κατσαβίδι με επίπεδη κεφαλή για να ανασηκώσετε και να αφαιρέσετε την τάπα της βίδας στη δεξιά πλευρά του σώματος της πόρτας. Μετακινήστε την τάπα της βίδας στην αριστερή πλευρά και τοποθετήστε την στην οπή της βίδας. Στερεώστε τη χειρολαβή στη δεξιά πλευρά και τοποθετήστε το κάλυμμα.

7

- A. Συνδέστε τη γραμμή σήματος στη διακοσμητική λωρίδα της πόρτας στον ακροδέκτη του μεντεσέ. Τακτοποιήστε το καλώδιο και τοποθετήστε το στο εσωτερικό του καλύμματος της διακοσμητικής λωρίδας.  
B. Στερεώστε τη διακοσμητική λωρίδα και ασφαλίστε το μικρό κάλυμμα στη δεξιά πλευρά.  
Γ. Κλείστε το επάνω μπροστινό κάλυμμα του θαλάμου. Τοποθετήστε τα μικρά καλύμματα αριστερά και δεξιά στην εσοχή.

## Απόψυξη και καθαρισμός

**ΑΠΟΨΥΞΗ ΤΟΥ ΚΑΤΑΨΥΚΤΗ:** Ο καταψύκτης αποψύχεται αυτόματα. Δεν χρειάζεται καμία χειροκίνητη ενέργεια.

**ΚΑΘΑΡΙΣΜΟΣ:** Η συσκευή θα πρέπει να καθαρίζεται τακτικά, ώστε να αποφύγετε τη δημιουργία δυσάρεστων οσμών από τα αποθηκευμένα τρόφιμα.

Αποσυνδέστε το καλώδιο ρεύματος από την πρίζα πριν καθαρίσετε τον καταψύκτη.

Καθαρίστε τη συσκευή με ένα μαλακό πανί ή σφουγγάρι και ζεστό νερό (μπορείτε να προσθέσετε ήπιο απορρυπαντικό).

Σκουπίστε και στεγνώστε τις σταγόνες του νερού από την επιφάνεια της συσκευής με ένα στεγνό πανί.

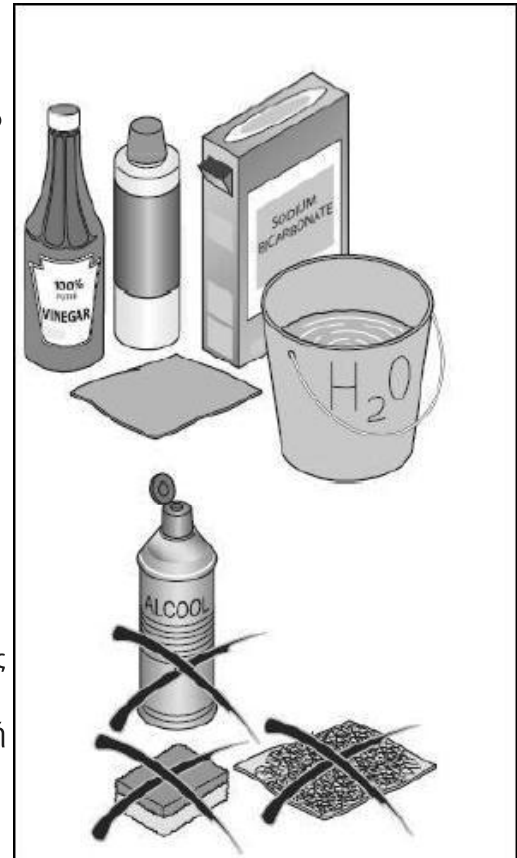
Διατηρείτε πάντα το λάστιχο της πόρτας καθαρό.

**⚠** Ο καταψύκτης είναι πολύ βαρύς. Κατά τη μετακίνησή του για καθαρισμό ή επισκευή, να είστε ιδιαίτερα προσεκτικοί ώστε να μην φθείρετε το δάπεδο. Διατηρήστε τον καταψύκτη σε όρθια θέση κατά τη μετακίνηση. Μην μετακινείτε τον καταψύκτη λικνίζοντάς τον, ώστε να αποφύγετε την πρόκληση φθοράς στο δάπεδο.

**⚠** Μην ψεκάζετε ή ξεπλένετε τον καταψύκτη με νερό, γιατί μπορεί να δημιουργηθούν προβλήματα στην ηλεκτρική μόνωση.

**⚠** Μην καθαρίζετε τη συσκευή με σκληρές βούρτσες, συρμάτινες βούρτσες, απορρυπαντικά σε σκόνη, βενζίνη, οξικό αμυλεστέρα, ακετόνη και παρόμοιους οργανικούς διαλύτες, ζεστό νερό, όξινα ή αλκαλικά διαλύματα.

**⚠** Καθαρίστε την οθόνη ενδείξεων και άλλες ηλεκτρικές συσκευές με ένα στεγνό πανί.



## Διακοπή χρήσης

Αν ο καταψύκτης δεν πρόκειται να χρησιμοποιηθεί για μεγάλο χρονικό διάστημα, αποσυνδέστε το καλώδιο ρεύματος από την πρίζα και καθαρίστε τον με τη μέθοδο που περιγράφεται παραπάνω.

Διατηρήστε την πόρτα του καταψύκτη ανοιχτή, για να αποφύγετε τη δημιουργία δυσάρεστων οσμών από τυχόν τρόφιμα που θα παραμείνουν στο θάλαμο.

**⚠** Για να εξασφαλίσετε την ωφέλιμη ζωή της συσκευής, συνιστάται να μην απενεργοποιείτε τον καταψύκτη, εκτός αν είναι απαραίτητο.

## Μετακίνηση του καταψύκτη

Αποσυνδέστε το φις ρεύματος και απενεργοποιήστε τον καταψύκτη.

Αφαιρέστε όλα τα τρόφιμα από τον καταψύκτη.

Ασφαλίστε τα συρτάρια και τα άλλα κινούμενα εξαρτήματα στο εσωτερικό του καταψύκτη με αυτοκόλλητη ταινία. Κλείστε την πόρτα και ασφαλίστε την με αυτοκόλλητη ταινία έτσι ώστε να μην ανοίξει κατά τη μετακίνηση.

Μην δίνετε στον καταψύκτη κλίση μεγαλύτερη από 45 μοίρες (από την κατακόρυφη θέση), ώστε να αποφύγετε την πρόκληση βλάβης στο σύστημα ψύξης κατά τη μετακίνηση της συσκευής.

Τυλίξτε τα πέλματα του καταψύκτη για να αποφύγετε την πρόκληση αμυχών στο δάπεδο. Μην μετακινείτε ποτέ βίαια τον καταψύκτη. Μην μετακινείτε τον καταψύκτη από τη λαβή, το καπάκι ή τους σωλήνες, ώστε να αποφύγετε τραυματισμούς ή την πρόκληση βλάβης στη συσκευή.

**⚠** Μην τοποθετείτε ποτέ τον καταψύκτη στο δάπεδο σε οριζόντια θέση.

# ΕΠΙΛΥΣΗ ΠΡΟΒΛΗΜΑΤΩΝ

Πριν ζητήσετε την επισκευή του καταψύκτη, διαβάστε πρώτα τον παρακάτω πίνακα επίλυσης προβλημάτων. Με τον τρόπο αυτό, μπορείτε να εξοικονομήσετε χρόνο και χρήματα. Ο πίνακας περιέχει κοινά προβλήματα, εκτός από αυτά που προκαλούνται από ελαττώματα στην ποιότητα εργασίας ή στα υλικά του καταψύκτη.

ΠΡΟΒΛΗΜΑΤΑ	ΑΙΤΙΕΣ	ΛΥΣΕΙΣ
<b>Λειτουργία καταψύκτη</b>		
Ο συμπιεστής δεν λειτουργεί.	<p>Η συσκευή βρίσκεται στον κύκλο απόψυξης.</p> <p>Ο καταψύκτης δεν είναι συνδεδεμένος στην πρίζα.</p> <p>Η συσκευή είναι απενεργοποιημένη.</p>	<p><input type="checkbox"/> Αυτό είναι φυσιολογικό για καταψύκτες με λειτουργία αυτόματης απόψυξης.</p> <p><input type="checkbox"/> Ελέγξτε αν υπάρχει βλάβη στο φως, στην πρίζα ή στην ασφάλεια. Ενεργοποιήστε τη συσκευή όταν δεν υπάρχει κανένα πρόβλημα.</p> <p><input type="checkbox"/> Πατήστε το κουμπί για να θέσετε ξανά τον καταψύκτη σε λειτουργία.</p>
Ο καταψύκτης λειτουργεί συχνά ή για πολύ μεγάλο χρονικό διάστημα.	<p>Η εσωτερική ή εξωτερική θερμοκρασία είναι υψηλή.</p> <p><input type="checkbox"/> Ο καταψύκτης έχει απενεργοποιηθεί για μεγάλο χρονικό διάστημα.</p> <p><input type="checkbox"/> Η πόρτα ανοίγει πολύ συχνά ή για μεγάλο χρονικό διάστημα κάθε φορά.</p> <p><input type="checkbox"/> Η πόρτα του καταψύκτη δεν κλείνει σωστά.</p> <p><input type="checkbox"/> Η ρύθμιση της θερμοκρασίας είναι πολύ χαμηλή.</p> <p><input type="checkbox"/> Το λάστιχο της πόρτας είναι λερωμένο, φθαρμένο, ραγισμένο ή δεν είναι κατάλληλο.</p> <p><input type="checkbox"/> Ο συμπυκνωτής είναι λερωμένος.</p>	<p><input type="checkbox"/> Στην περίπτωση αυτή, ο καταψύκτης είναι φυσιολογικό να λειτουργεί για μεγαλύτερο χρονικό διάστημα.</p> <p><input type="checkbox"/> Για να πέσει εντελώς η θερμοκρασία του καταψύκτη χρειάζονται συνήθως 8 έως 12 ώρες.</p> <p><input type="checkbox"/> Ο θερμός αέρας που εισέρχεται στον καταψύκτη προκαλεί τη συχνή επανεκκίνηση της λειτουργίας του. Μην ανοίγετε την πόρτα πολύ συχνά.</p> <p><input type="checkbox"/> Βεβαιωθείτε ότι ο καταψύκτης είναι τοποθετημένος σε επίπεδη επιφάνεια και ότι δεν υπάρχουν τρόφιμα ή δοχεία που εμποδίζουν την πόρτα.</p> <p><input type="checkbox"/> Επιλέξτε υψηλότερη ρύθμιση έως ότου η θερμοκρασία του καταψύκτη να είναι ικανοποιητική. Για την επίτευξη της θερμοκρασίας κατάψυξης χρειάζονται 24 ώρες.</p> <p><input type="checkbox"/> Καθαρίστε ή αντικαταστήστε το λάστιχο της πόρτας. Τα κενά διαρροής στο λάστιχο της πόρτας μπορεί να προκαλέσουν μεγαλύτερο χρόνο λειτουργίας του καταψύκτη για να διατηρηθεί η επιθυμητή θερμοκρασία.</p> <p><input type="checkbox"/> Καθαρίστε το συμπιεστή.</p>
<b>Πολύ υψηλή θερμοκρασία</b>		
Πολύ υψηλή θερμοκρασία στο εσωτερικό της συσκευής	<p>Η πόρτα ανοίγει πολύ συχνά ή για μεγάλο χρονικό διάστημα κάθε φορά.</p> <p><input type="checkbox"/> Η ρύθμιση της θερμοκρασίας είναι πολύ υψηλή.</p> <p><input type="checkbox"/> Η πόρτα δεν έχει κλείσει σωστά.</p> <p><input type="checkbox"/> Ο συμπυκνωτής είναι λερωμένος.</p>	<p>Κάθε φορά που ανοίγετε την πόρτα, στο εσωτερικό του καταψύκτη εισέρχεται θερμός αέρας. Προσπαθήστε να ανοίγετε την πόρτα όσο το δυνατόν λιγότερο συχνά.</p> <p><input type="checkbox"/> Ρυθμίστε ξανά τη θερμοκρασία.</p> <p><input type="checkbox"/> Βεβαιωθείτε ότι ο καταψύκτης είναι τοποθετημένος σε επίπεδη επιφάνεια και ότι δεν υπάρχουν τρόφιμα ή δοχεία που εμποδίζουν την πόρτα.</p> <p><input type="checkbox"/> Καθαρίστε το συμπιεστή.</p>
<b>Νερό/υγρασία/πάγος στην εξωτερική επιφάνεια του καταψύκτη</b>		
Συσσωρεύεται υγρασία στην εξωτερική επιφάνεια του καταψύκτη.	<p><input type="checkbox"/> Υγρό κλίμα.</p> <p><input type="checkbox"/> Η πόρτα δεν έχει κλείσει σωστά. Αυτό προκαλεί συμπύκνωση του ψυχρού αέρα στο εσωτερικό του καταψύκτη και του θερμού αέρα στο εξωτερικό του.</p>	<p>Αυτό είναι φυσιολογικό σε υγρά κλίματα. Η συμπύκνωση θα μειωθεί με τη μείωση της υγρασίας.</p> <p><input type="checkbox"/> Βεβαιωθείτε ότι το δάπεδο είναι επίπεδο και ότι δεν υπάρχουν τρόφιμα ή δοχεία που να προεξέχουν από την πόρτα. Κλείστε καλά την πόρτα.</p>

# ΕΠΙΛΥΣΗ ΠΡΟΒΛΗΜΑΤΩΝ

ΠΡΟΒΛΗΜΑΤΑ	ΑΙΤΙΕΣ	ΛΥΣΕΙΣ
<b>Δυσάρεστες οσμές στον καταψύκτη</b>		
Το εσωτερικό του καταψύκτη είναι λερωμένο.	Το εσωτερικό της συσκευής χρειάζεται καθάρισμα. <input type="checkbox"/> Στον καταψύκτη έχουν αποθηκευτεί τρόφιμα με έντονη οσμή.	Καθαρίστε το εσωτερικό του καταψύκτη. (Ανατρέξτε στην ενότητα "Απόψυξη και καθαρισμός") <input type="checkbox"/> Ελέγξτε εάν τα τρόφιμα έχουν αλλοιωθεί. Αφαιρέστε τα αλλοιωμένα τρόφιμα ή τα τρόφιμα με έντονη οσμή από τον καταψύκτη.
<b>Αν ακούγονται</b>		
Ηχητικά σήματα	Η πόρτα του καταψύκτη είναι ανοιχτή. <input type="checkbox"/> Η θερμοκρασία στο εσωτερικό του καταψύκτη είναι πολύ υψηλή. <input type="checkbox"/> Ορισμένα εξαρτήματα ενδέχεται να έχουν βλάβη.	Κλείστε την πόρτα ή απενεργοποιήστε την ηχητική προειδοποίηση με μη αυτόματο τρόπο. <input type="checkbox"/> Η ηχητική προειδοποίηση είναι φυσιολογική όταν ο καταψύκτης ξεκινά να λειτουργεί ή αποθηκεύονται τρόφιμα για πρώτη φορά. Μπορείτε να απενεργοποιήσετε την ηχητική προειδοποίηση με μη αυτόματο τρόπο. <input type="checkbox"/> Επικοινωνήστε με το προσωπικό του τμήματος Εξυπηρέτησης Πελατών.
Μη φυσιολογικός θόρυβος	Ο καταψύκτης δεν έχει τοποθετηθεί σε επίπεδη επιφάνεια. <input type="checkbox"/> Ο καταψύκτης έρχεται σε επαφή με κάποιο αντικείμενο γύρω του.	Ρυθμίστε τα πέλματα για να σταθεροποιήσετε τον καταψύκτη. <input type="checkbox"/> Απομακρύνετε τα αντικείμενα γύρω από τον καταψύκτη.
Ελαφρύς ήχος, παρόμοιος με νερό που ρέει	Πρόκειται για τον ήχο του συστήματος ψύξης.	Είναι φυσιολογικό.
Θέρμανση του περιβλήματος	Το σύστημα ψύξης βρίσκεται σε λειτουργία.	Αυτό αποτρέπει τη συμπύκνωση υγρασίας και είναι φυσιολογικό.

## Πινακίδα στοιχείων

Η πινακίδα στοιχείων είναι τοποθετημένη στην κάτω αριστερή πλευρά του θαλάμου του καταψύκτη. Η πινακίδα στοιχείων παρέχει σημαντικές πληροφορίες σχετικά με τη συσκευή και δεν πρέπει να αλλοιωθεί ή να αφαιρεθεί.

Η έγκυρη απόδοση και η ονομαστική κατανάλωση ισχύος που εμφανίζονται στην πινακίδα στοιχείων υπόκεινται στα σχετικά πρότυπα.

Όσον αφορά τις σχετικές λεπτομέρειες των προδιαγραφών, συμβουλευτείτε την πινακίδα βαθμολογίας και την ετικέτα ενέργειας μέσα στο προϊόν. Αυτή η συσκευή προορίζεται να χρησιμοποιηθεί στη θερμοκρασία περιβάλλοντος που αναφέρεται παρακάτω:

SN	+ 10°C~+32°C
N	+ 16°C~+32°C
ST	+ 16°C~+38°C
T	+ 16°C~+43°C

Ελάχιστη εγγύηση είναι: 2 χρόνια για τις χώρες της ΕΕ, 3 χρόνια για την Τουρκία, 1 έτος για το Ηνωμένο Βασίλειο, 1 έτος για τη Ρωσία, 3 χρόνια για τη Σουηδία, 2 χρόνια για τη Σερβία, 5 χρόνια για τη Νορβηγία, 1 έτος για το Μαρόκο, 6 μήνες για την Αλγερία, για την Τυνησία δεν απαιτείται νομική εγγύηση."

«Οι θερμοστάτες, οι αισθητήρες θερμοκρασίας, οι τυπωμένες πλακέτες πίνακες κυκλωμάτων και οι πηγές φωτός είναι διαθέσιμοι για μια ελάχιστη περίοδο επτά ετών μετά από ναθέσουν την τελευταία μονάδα του προτύπου στην αγορά.

Λαβές θυρών, μεντεσέδες θυρών, δίσκοι και καλάθια για ελάχιστη περίοδο επτά ετών και φλάντζες θυρών για ελάχιστη περίοδο 10 ετών, μετά τη διάθεση της τελευταίας μονάδας του μοντέλου στην αγορά»."

# UVOD

Zahvaljujemo se vam za nakup izdelka Haier

Pred uporabo aparata skrbno preberite ta navodila. Navodila vsebujejo pomembne informacije, ki vam bodo pomagale čim boljše izkoristiti aparat ter zagotoviti varno in pravilno namestitev, uporabo in vzdrževanje.

Ta priročnik hranite na priročnem mestu, da je vedno na dosegu roke za varno in pravilno uporabo aparata.

Če aparat prodate, ga podarite ali pustite za sabo, ko se selite, poskrbite, da boste ta priročnik predali novemu lastniku, da se bo lahko seznanil z aparatom in varnostnimi opozorili.




Izdelava : Qingdao Haier Special Icebox Co.,Ltd.  
Naslov : Haier Garden, Qianwangang Road, Economic  
Development Zone, Qingdao 266555, Shandong, LR Kitajska

<http://www.haier.com>

# KAZALO

SVARILA.....	3
PRED UPORABO.....	6
FUNKCIJE .....	8
VZDRŽEVANJE.....	14
ODPRAVLJANJE TEŽAV .....	15

## Legenda

-  Pozor
-  Previdno
-  Prepovedano

## Pred uporabo ...


-  Ta naprava uporablja napajanje z izmeničnim tokom.

Napravo priključite na normalno napetost. V primeru nihanja napetosti se lahko zgodi, da se naprava ne zažene, regulator temperature ali kompresor se lahko poškoduje ali ima nenormalne zvoke. V tem primeru in trenutku dodajte ustrezen stabilizator.


-  Uporabiti MORATE ozemljeno vtičnico.

Poskrbeti morate, da je napajanje priključeno na ozemljitev in pravilno ozemljeno. Napajalnega kabla in njegovega vtiča ne smete spreminjati. Vtič in vtičnica morata biti enostavno dostopna, ko je naprava na svojem končnem mestu, tako da lahko med čiščenjem ali drugim vzdrževanjem varno izklopите napajanje.


Prepričajte se, da je vtič vedno v celoti potisnjen v vtičnico.


-  Ne poškodujte napajalnega kabla.

Če želite odklopiti vtič, ne vlecite napajalnega kabla. Vtič pridržite, da ga odstranite neposredno iz vtičnice. Ohišje naprave ne sme pritiskati na napajalni kabel in NE stopajte na napajalni kabel.


-  Če je napajalni kabel poškodovan:

Če je napajalni kabel poškodovan ali je vtič obrabljen, ga ne uporabljajte. Izrabljen ali poškodovan napajalni kabel morate zamenjati pri ponudniku vzdrževanja, ki ga določi proizvajalec, ali ga mora zamenjati usposobljeno osebje. Če je potreben daljši napajalni kabel, površina prereza dodanega napajalnega kabla ne sme biti manjša od 0,75 mm<sup>2</sup>.

-  Poskrbite, da bodo prezračevalne odprtine na ohišju aparata ali na vgradnih elementih proste in neovirane.

-  Kadar uhaja vnetljiv plin, kot je zemeljski plin:


Zaprte ventil, pri katerem pušča plin. Odprite vrata in okna hiše. NE odklapljajte/priklaplajte vtiča naprave ali drugih električnih naprav.

-  Pazite se ozeblin


Med delovanjem se ne dotikajte notranjosti zamrzovalnega dela, zlasti z mokrimi rokami, saj lahko vaše roke primrznejo na površino.


-  Ko je naprava v mirovanju:


Napravo hranite stran od ognja, da preprečite nesreče. Odstranite vrata naprave (odprite vrata in jih pridržite, preden odstranite vijake), da se izognete vstopu otrok v napravo in povzročitvi nesreče. Napravo pošljite na predvideno mesto za odstranjevanje.

-  Vrata odprite tako, da primete za ročaj.

-  V bližini zamrzovalnika ne shranjujte ali uporabljajte bencina ali drugih vnetljivih materialov, da preprečite požar.

-  V zamrzovalniku nikoli ne shranjujte vnetljivih snovi, eksplozivov ali zelo jedkih kislin, lugov in drugih kemikalij.

-  V zamrzovalniku nikoli ne shranjujte ustekleničenega piva ali pijač, saj bodo steklenice med zamrzovanjem počile.

-  Ne uporabljajte mehanskih sredstev ali drugih sredstev za pospešitev odmrzovanja, razen sredstev, ki jih priporoča proizvajalec.

- ❗ Ne uporabljajte električnih naprav v prostorih za shranjevanje živil v aparatu, razen če njihovo uporabo priporoča proizvajalec.
- ❗ To napravo lahko uporabljajo otroci, starejši od 8 let, in osebe z zmanjšanimi fizičnimi, senzoričnimi ali umskimi zmožnostmi ali s pomanjkanjem izkušenj ter znanja, če so pod ustreznim nadzorom ali so prejeli navodila za varno uporabo naprave in razumejo s tem povezana tveganja.
- ❗ Otroci se z napravo ne smejo igrati.

- ❗ Če so svetilke poškodovane, jih mora zamenjati proizvajalec ali usposobljena oseba pri določenem vzdrževalcu.



- ❗ Če so luči za osvetlitev poškodovane, jih sme zamenjati samo proizvajalec, njegov servisni zastopnik ali drug kvalificiran serviser, da preprečite morebitna tveganja.

- ❗ Hraniti stran od vode

Ne uporabljajte vode za škropljenje ali izpiranje hladilnika in ne postavljajte hladilnika na mokro mesto ali mesto, ki se zlahka škropi z vodo, da se izognete vplivu na električno izolacijo naprave ali celo električnemu šoku oziroma požaru.

- ❗ Ne poškodujte hladilne napeljave

Za razstavljanje in spreminjanje zamrzovalnika morate dobiti odobritev. Vsako grobo premikanje zamrzovalnika lahko poškoduje hladilne cevi. Popravilo naprave mora izvesti strokovno osebo.

- ❗ Napajalni vtič odklopite v naslednjih primerih:

Pred čiščenjem in vzdrževanjem ali v primeru okvare naprave ali izklopa napajanja odklopite vtič hladilnika. Pred ponovnim zagonom aparata po odklopu počakajte vsaj 5 minut, saj lahko pogosti zagon poškoduje kompresor.

- ❗ Ta zamrzovalnik je gospodinjska naprava, namenjena samo za shranjevanje hrane. V napravi ne shranjujte krvi, zdravil, bioloških proizvodov ali drugih izdelkov.

Aparat je namenjen uporabi v gospodinjstvu in v podobne namene, kot npr.

- v čajnih kuhinjah v trgovinah, pisarnah in drugih delovnih okoljih,
- na kmetijah in v hotelskih, motelskih sobah in drugih nastanitvah za goste,
- v nastanitvah tipa B&B,
- v gostinskih storitvah in podobnih primerih, vendar ne v maloprodaji.

Namigi za varčevanje z električno energijo

Napravo namestite v hladen in suh prostor z ustreznim prezračevanjem.

Pri namestitvi naprave morate nad zamrzovalnikom in okoli njega pustiti 10 cm prostora, da zagotovite ustrezno prezračevanje okoli zamrzovalnika.

Počakajte, da se toplotno obdelana živila ohladijo in jih šele nato postavite v aparat.


Ne puščajte vrat naprave predolgo odprtih, ko vnašate hrano ali jo odnašate ven. Manj časa bodo vrata odprta, manj ledu bo nastalo v zamrzovalniku.

Redno čistite zadnji del zamrzovalnika. Prah povečuje porabo energije.

Temperaturo ne nastavljajte na nižjo od dejansko potrebne.

Ne pokrivajte odprtih za prezračevanje.



- **Simbol  na izdelku ali njegovi embalaži pomeni, da izdelek ne sodi med gospodinjske odpadke. Oddajte ga na ustreznem zbiralnem mestu za recikliranje električne in elektronske opreme. Če izdelek pravilno zavržete, prispevate k preprečevanju morebitnih negativnih posledic za okolje in človekovo zdravje, ki jih lahko povzroči neprimerno odstranjevanje tega izdelka. Za natančnejše informacije o recikliranju tega izdelka se obrnite na svoj lokalni urad, podjetje za gospodinjske odpadke ali na trgovino, kjer ste aparat kupili.**

## Zamrzovanje in hramba sveže hrane

Hrano postavite tako, da bo med posameznimi kosi prostor, kar je dobro za cikel hlajenja.

Hrano shranite v različnih kategorijah, da jo lahko lažje najdete.

Pred shranjevanjem hrane v zamrzovalniku morate hrano zatesniti, da preprečite izgubo vode in nastanek vonja.

Preden hrano postavite v zamrzovalnik, vam je ni treba pakirati. Zunanost embalaže mora biti suha, da se prepreči lepljenje vrečk. Embalažni materiali morajo biti brez vonja, nestrupeni in netoksični ter morajo tesniti.

Predlagamo, da porcijo hrane označite tako, da si zabeležite naslednje informacije:

- Ime živila
- Teža porcije
- Količina (število kosov)
- Datum zamrznitve
- Datum omejitve shranjevanja

Oglejte si diagram v zamrzovalniku za običajno časovno omejitev shranjevanja hrane:



1. Enolončnica, sladoled, klobase, kruh
2. Ribe, kozice, jagnjetina, meso
3. Zelenjava, sadje, perutnina, govedina

Hrana mora biti sveža, zrela in kakovostna.

Sveža zelenjava in sadje morata biti zamrznjena, če je mogoče, takoj po žetvi oziroma nabiranju, da se ohrani največ hranil, struktura, tekstura, barva in okus.

Vročo hrano je treba pred postavitvijo v zamrzovalnik ohladiti na sobno temperaturo.

❗ Iz zamrzovalnika vzemite samo potrebno količino hrane. Odmrznjene hrane ni mogoče znova zamrzniti, če je najprej ne skuhate, sicer je manj užitna.

Izogibajte se neposrednemu stiku sveže hrane z globoko zamrznjeno hrano. Globoko zamrznjena živila se lahko odmrznejo in ne trajajo do predvidenega časa skladiščenja.

Za zelo dobro zamrzovanje uporabite funkcijo hitrega zamrzovanja (glejte poglavje o funkcijah) 2 uri pred shranjevanjem sveže hrane.

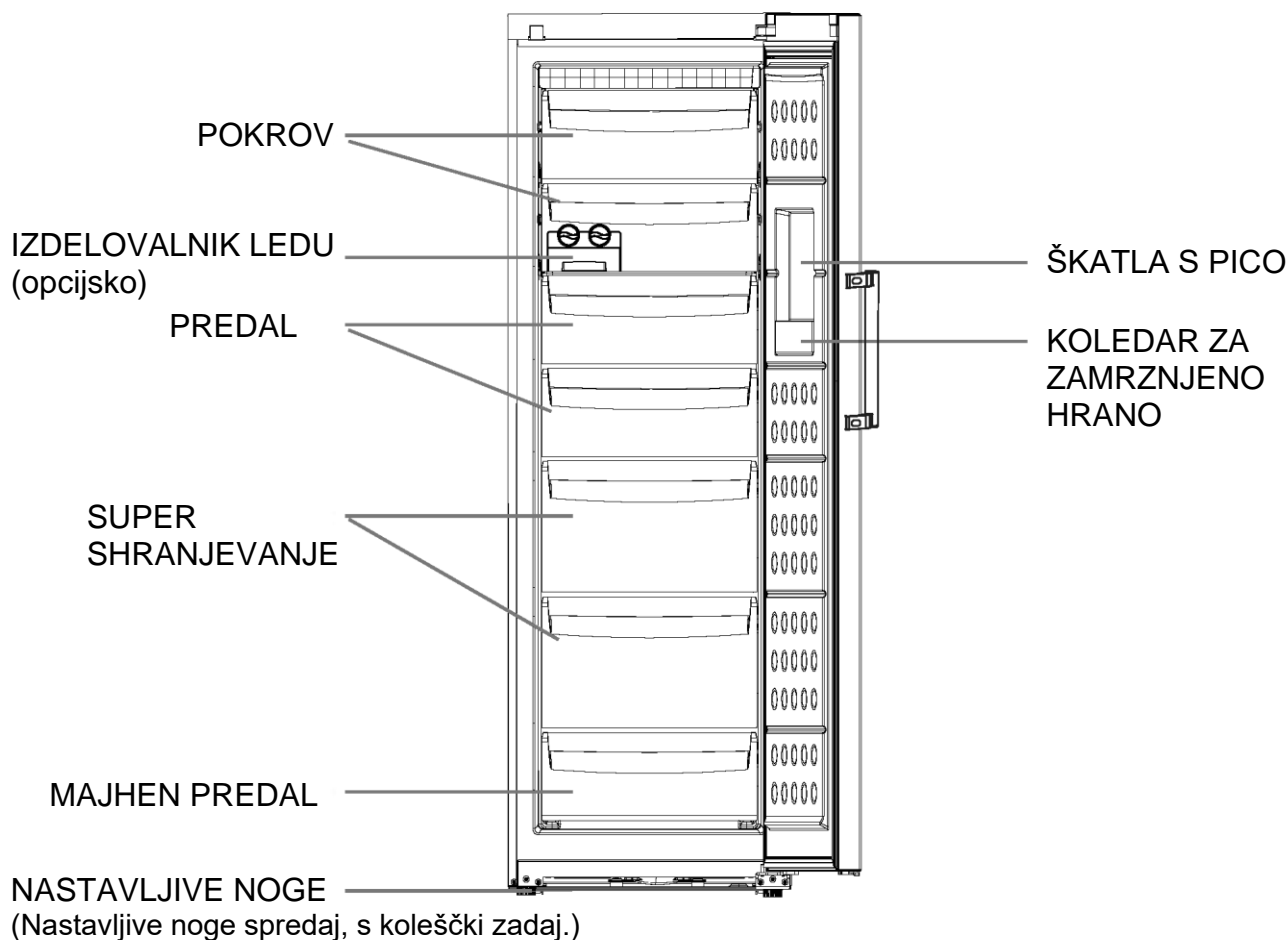
❗ V zamrzovalnik ne nalagajte prevelikih količin sveže hrane. Bolje je upoštevati zamrzovalno zmogljivost zamrzovalnika.

Običajno je za dokončanje procesa zamrzovanja dovolj 24 ur. Po tem času bo funkcija samodejno onemogočena. Za zamrzovanje majhne količine hrane lahko po nekaj urah ročno zaustavite funkcijo, da se izognete nepotrebni porabi energije.

# PRED UPORABO

## Opis

Ta slika se lahko nekoliko razlikuje od postavitve zamrzovalnika, ki ste ga pravkar kupili.



Velike predale, super trgovine in majhen predal je mogoče odstraniti, da povečate prostor za shranjevanje v zamrzovalniku.

Različna živila je treba postaviti na različna območja glede na njihove lastnosti

POKROV, MALEN	Maslo, sir, presna surova hrana itd
PREDALNIK	Mesni izdelki, prigrizki, vložena hrana itd. Konzervirana hrana, tofu, mlečni izdelki, testenine itd.
TRGOVINA SUIPER	

Za aparate brez predelka s 4 zvezdicami: ta hladilni aparat ni primeren za zamrzovanje živil

Za dodatne informacije o izdelku obiščite <https://eprel.ec.europa.eu/> ali skenirajte QR na energijski nalepki, ki je priložena napravi.

Če se želite obrniti na tehnično pomoč, obiščite našo spletno stran:

<https://corporate.haier-europe.com/en/>

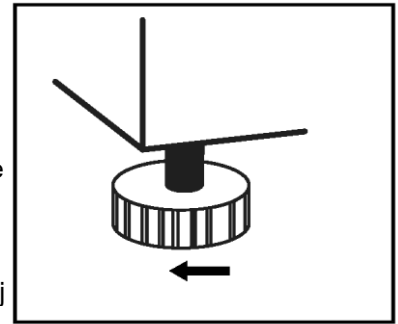
Pod razdelkom "spletna stran" izberite znamko svojega izdelka in svojo državo. Preusmerjeni boste na določeno spletno stran, kjer najdete telefonsko številko in obrazec za stik s tehnično podporo

Opomba: Ta izdelek vsebuje vir svetlobe razreda energijske učinkovitosti <G>.

# PRED UPORABO

## Namestitev zamrzovalnika

Zamrzovalnik mora biti postavljen na ravno in trdno površino. Če je naprava nameščena na podstavek, morate uporabiti ravne, močne in ognjevarne materiale. Za podstavek nikoli ne uporabljajte penastega materiala za pakiranje. Če je zamrzovalnik nestabilen, lahko noge nastavite tako, da jih obrnete v smeri urnega kazalca ali v nasprotni smeri urnega kazalca, da podaljšate ali skrajšate noge in preprečite zibanje ali tresenje zamrzovalnika. Zamrzovalnika ne postavljajte pod neposredno sončno svetlobo ali na mesto, kjer je izpostavljen grelnikom, da zagotovite delovanje zamrzovalnika. Napravo namestite na dobro prezračen prostor, nad zamrzovalnikom in okoli njega pa mora biti vsaj 10 cm prostora.



Zamrzovalnika nikoli ne postavljajte na vlažno mesto ali na mesto, kjer bi ga lahko polili z vodo. Pravočasno očistite in posušite vso poškropljeno vodo ter madeže z mehko krpo, da preprečite rjo.

Zamrzovalnika ne postavljajte na mesto, kjer je temperatura prenizka (pod 5 °C). Zamrzovalnika ne shranjujte zunaj ali v dežju.

## Priprava pred uporabo

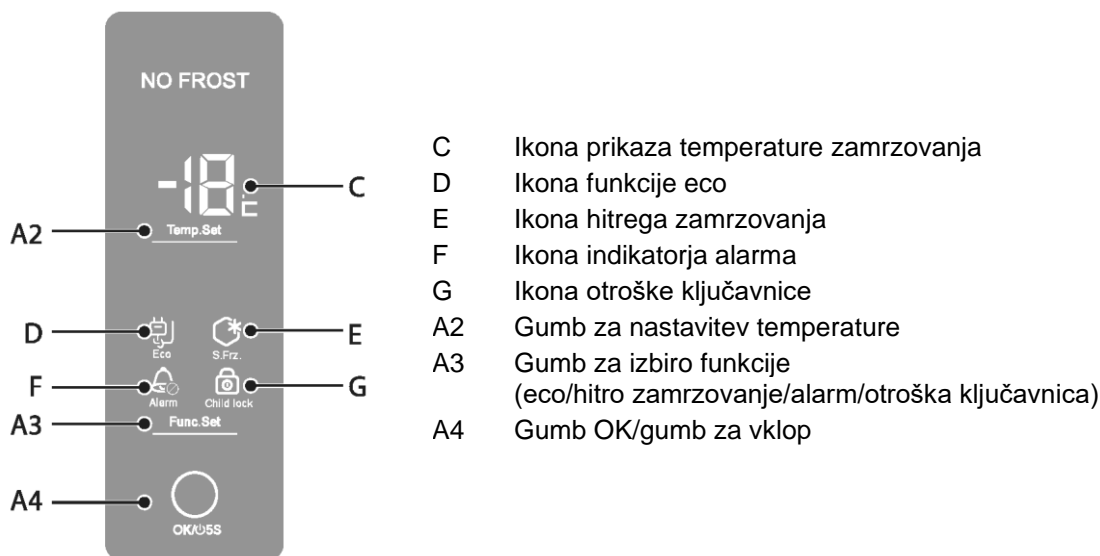
Odstranite vse dele embalaže, podlago iz pene in pribor za pritrditev lepilnega traku. Zamrzovalnik postavite na ustrezno mesto (glejte Namestitev zamrzovalnika).

Pred uporabo očistite notranjost in zunanost zamrzovalnika (glejte Odmrzovanje in čiščenje).

Ko je naprava poravnana in očiščena, jo pustite mirovati vsaj 6 ur, preden jo vklopite, da zagotovite njeno normalno delovanje.

# FUNKCIJE

## Nadzorna plošča



## Zagon

Prosimo, upoštevajte: Alarm za visoko temperaturo se ne bo oglasil ob prvem vklopu zamrzovalnika. Zvok se bo sprožil šele po 3 urah, če se zamrzovalnik ne bo ohladil pod 0 °C.

Vstavite vtič v vtičnico, da vklopite zamrzovalnik. V tem trenutku je na mreži C prikazana dejanska temperatura v zamrzovalniku.

Lučka LED F za alarm in zvočni signal bosta prikazala, da temperatura v zamrzovalniku ni dovolj hladna za shranjevanje živil. S pritiskom na gumb A3 izberete funkcijo »Alarm«, nato pritisnite gumb A4; zvočni signal lahko onemogočite, vendar bo opozorilna lučka svetila, dokler zamrzovalnik ne doseže temperature 0 °C. Ko je na zaslonu prikazana temperatura 0 °C, se alarm samodejno ustavi in zamrzovalnik bo pripravljen za shranjevanje hrane.

Preverite nadzorno ploščo:

Dotaknite se katerega koli gumba na zaslonu in preverite, ali lahko zasvetita temperaturno območje in izbrana ikona.

Nastavljena temperatura:

Za nastavitev temperature pritisnite gumb A2. Med nastavitvijo temperature dve utripajoči številki na zaslonu prikazujeta nastavljeno točko. Dodatni pritiski na ta gumb ciklično in z zmanjševanjem spreminjajo nastavljeno vrednost od -14 °C do -26 °C.

Živila lahko hranite v zamrzovalniku pri temperaturi najmanj -18° (od 2 do 12 mesecev, odvisno od njenih lastnosti (npr. meso: 3-12 mesecev, zelenjava: 6-12 mesecev)

Da bi se izognili izteku rokov skladiščenja, upoštevajte datum zamrzovanja, časovno omejitev in ime živila na embalaži glede na obdobja skladiščenja različnih živil.

Če gumba OK ne pritisnete v roku 5 sekund, se bo nastavljena točka shranila samodejno.

Po nastavitvi temperature se dve številki na zaslonu vrnete v prikaz temperature zamrzovalnika.

Proizvajalčeva nastavitev temperature je -18 °C, priporočamo, da uporabite privzeto nastavitev, ki je ni treba prilagajati.

Funkcija napajanja:

Pritisnite gumb A4 za 5 sekund, da izklopite napajanje zamrzovalnika; če ga pritisnete še enkrat, se bo napajanje vklopilo.

**⚠** Pred kakršnim koli čiščenjem se prepričajte, da odklopite zamrzovalnik iz napajanja tako, da izvlečete vtič, saj ni dovolj, da izklopite napravo s pritiskom na gumb za vklop/izklop.

## Funkcije zamrzovalnika

**HITRO ZAMRZOVANJE:** Pritisnite gumb A3, da izberete funkcijo »S.FRZ«, nato pritisnite gumb A4; aktivirate lahko hitro zamrzovanje sveže hrane.

Vklopi se posebna lučka E, ki označuje, da je funkcija vklopljena in da je aktiviranje funkcije doseženo.

Lučka bo prižgana, dokler se funkcija HITREGA ZAMRZOVANJA ne izklopi.

Če morate naenkrat zamrzniti veliko količino hrane, je priporočljivo, da funkcijo aktivirate 30 ur pred vstavitvijo hrane. Funkcija se samodejno ustavi po 56 urah ali ročno. Poraba energije se bo povečala, ko bo ta funkcija vklopljena.

**FUNKCIJA ECO:** Ko je zaslon odklenjen, pritisnite gumb A3, da izberete funkcijo »ECO«, nato pritisnite gumb A4; aktivirate lahko funkcijo varčevanja z energijo in nastavite temperaturo v območju od -18 °C do -14 °C. Če je temperatura nastavljena na -19 °C ali nižje, se samodejno nastavi na -18 °C, ko je funkcija ECO vklopljena.

Če je ta funkcija aktivirana, bo lučka LED D vklopljena, dokler funkcije »ECO« ne izklopite ročno.

S pritiskom na gumb A3 lahko izberete funkcijo »ECO«, nato pa s pritiskom na gumb A4 onemogočite to funkcijo. Funkcija ECO in funkcije hitrega zamrzovanja ni mogoče uporabljati hkrati.

**FUNKCIJA ECO 2:** Kadar je temperatura nastavljena v območju od -23 °C do -26 °C, se po 56-urnem delovanju zamrzovalnika samodejno nastavi na -22 °C, da se prihrani energija in učinkovito ohrani hrana. Običajno hrano je mogoče učinkovito hraniti pri -18 °C ali manj; nastavev prenizke temperature poveča porabo električne energije. (Te funkcije ni treba ročno

Energetsko najbolj varčna konfiguracija zahteva namestitvev predala, škatle za hrano in polic

v aparatu v tovarniško svežem stanju, živila pa položite brez blokiranja zraka

zhod iz kanala

**Otroška ključavnica:** Ko je zaslon odklenjen, pritisnite gumb A3 za izbiro funkcije otroške ključavnice in nato pritisnite gumb A4, funkcija bo vklopljena. **Odklepanje:** Dotaknite se katerega koli gumba na zaslonu, zaslon in gumb otroške ključavnice bosta osvetljena; pritisnite gumb A3, gumb otroške ključavnice utripa; pritisnite gumb A4, zaslon bo odklenjen.

Ko je zaslon zaklenjen, gumb A2 ne deluje; samo ikona funkcije otroške ključavnice je omogočena, ko pritisnete gumb A3, nato pa je funkcija gumba A4 onemogočena.

## Alarmni signali

**TEMPERATURNI ALARM:** če je temperatura v notranjosti zamrzovalnika višja od 0 °C, bosta vmesni zvočni signal in utripajoča lučka LED F označevala temperaturni alarm. Prikazovalnik bo prikazal kodo HH

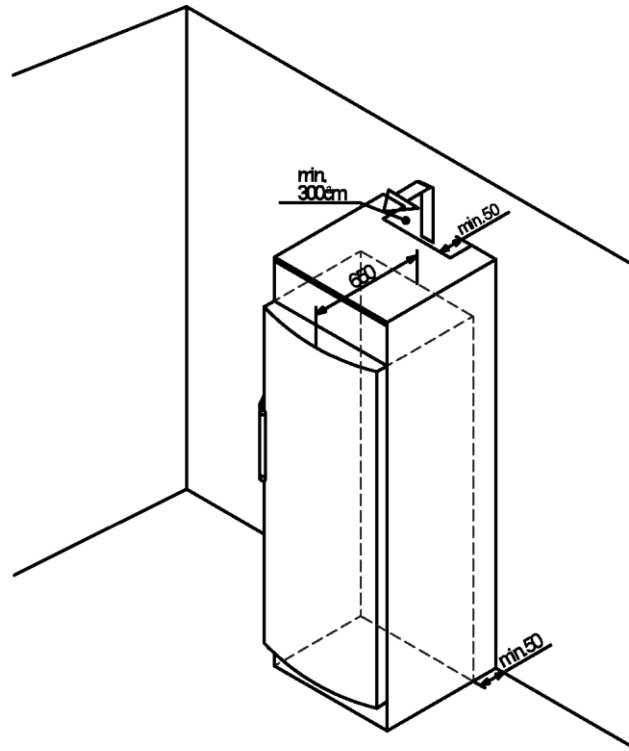
Ko je zaslon odklenjen, pritisnite gumb A3, da izberete funkcijo »Alarm«, nato pritisnite gumb A4; možno je ustaviti zvočni signal, vendar se bo stanje alarma nadaljevalo, dokler notranja temperatura ne bo hladnejša od 0 °C.

**ALARM ZA VRATA:** Če vrata ostanejo odprta 60 sekund, bo to stanje sporočeno s prekinjajočim zvočnim signalom. Alarm se bo ustavil, če zaprete vrata ali pritisnete gumb za izbiro funkcije Alarm in nato gumb OK, vendar se bo v tem drugem primeru alarm znova zagnal po 120 sekundah, če bodo vrata še odprta.

V tem primeru preverite v skladu z naslednjimi postopki: (1) Ali se vrata dobro zaprejo in odprejo; (2) ali se vrata pogosto odpirajo ali se odpirajo in so nato predolgo odprta; (3) preveč hrane se vstavi naenkrat; če obstajajo zgoraj navedeni pogoji, lahko alarm prekličete. Dokler temperatura v zamrzovalniku ne pade na 0 °C ali manj, bo prikazano besedilo »HH« izginilo.

# FUNKCIJE

## Vstavljanje v vrsto kuhinjskega pohištva



Zamrzovalnik lahko vstavite v vrsto kuhinjskega pohištva. Da bi se zamrzovalnik ujema z višino vrste enot pohištva, lahko dodate ustrezno omaro za shranjevanje. Pri vstavljanju zamrzovalnika v vrsto standardnih kuhinjskih enot pohištva (največja globina 580 mm), lahko napravo namestite neposredno ob kuhinjski enoti. Vrata zamrzovalnika se glede na sprednjo stran kuhinjske enote projicirajo za 34 mm na strani in za 55 mm na sredini zamrzovalnika. Zaradi tega je mogoče zamrzovalnik popolnoma odpreti in zapreti.

Pomembno za prezračevanje:

Na zadnji strani omarice za shranjevanje mora biti prezračevalni kanal globine najmanj 50 mm po celotni širini omarice.

Pod stropom mora biti vsaj 300 cm<sup>2</sup> prostora za prezračevanje.

Večji kot je prezračevalni prostor, več energije prihrani zamrzovalnik med delovanjem.

Če je zamrzovalnik nameščen s tečaji ob steni, mora biti razdalja med zamrzovalnikom in steno vsaj 55 mm. To ustreza dolžini štrljenja ročaja, ko so vrata odprta.

# FUNKCIJE

## Informacije o uporabi

### 1. ODPIRANJE POKROVA

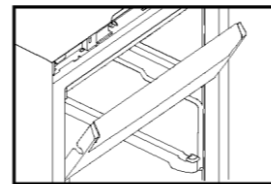
Če želite odpreti zgornje pokrove, jih rahlo dvignite in obrnite navzven.

Odprite pokrov, da vstavite hrano v predal.

Zaprte pokrov, da se izognete stiku z vrati.

Pokrov lahko odstranite, da povečate prostor za shranjevanje.

**OPOMBA:** Dve plasti v zgornjem delu sta opremljeni s pokrovi, vendar v srednjem delu steklene plošče ni dovoljeno vstavljati hrane; sicer se lahko zgodi, da se pokrovi ne zaprejo, če je temu tako, preverite prehrabene izdelke, prilagodite njihovo postavitve in nato znova namestite pokrove. Opozorilo: pred zapiranjem vrat preverite, ali so pokrovi zaprti, ko so pokrovi pravilno zaprti, morate zapreti vrata, da ne pride do stiskanja pokrovov.



### 2. ODSTRANJEVANJE PREDALOV

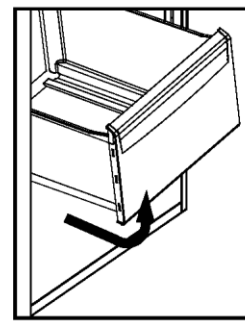
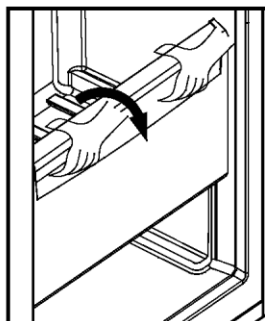
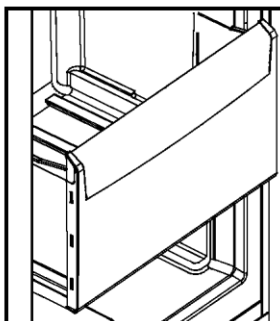
Predale v celoti izvlecite, nato jih rahlo dvignite, da jih odstranite.

Predale (razen spodnjega predala) lahko odstranite, da zagotovite več prostora za shranjevanje. Pri nekaterih modelih so na voljo drsni elementi.

### 3. PREDAL ZA SUPER SHRANJEVANJE

Popolnoma izvlecite predal za super shranjevanje. Dvignite ga in ga potegnite iz teleskopskih vodil.

**OPOMBA:** Nekateri modeli velikega predala imajo drsno konstrukcijo. Pravilno odstranjevanje predala: najprej vzemite hrano ven iz predala in potisnite predal do konca; nato dvignite njegov zadnji del in ga izvlecite. Predala ne dvigajte, dokler ni blokiran, nato ga lahko enostavno vzamete ven; če pa to ne uspe, ga potisnite do konca in ponovite korake.



### 4. IZDELAVA LEDENIH KOCK

Nekateri modeli so opremljeni s sistemom za led, vključno s pladnji za ledene kocke z napravo za odstranjevanje in posodo za led.

### 5. Odstranjevanje pladnjev za led

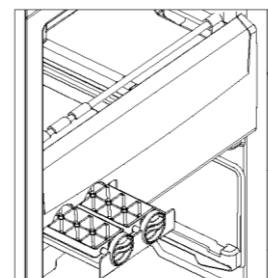
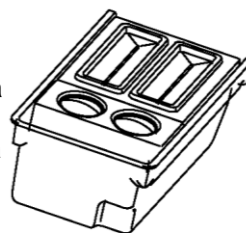
Očistite in napolnite z vodo, znova namestite pladnje za led na podporo.

Počakajte nekaj ur, da je led pripravljen, nato obrnite gumbe, da izvržete kocke ledu.

Ledene kocke bodo padle naravnost v posodo za led.

**A**

**B**



6. Škatle na vratih lahko vsebujejo pakirano PICO debeline manj kot 30 mm ali drugo tanko pakirano hrano.

## I

Reverzibilnost vrat: odstranjevanje vrat z desne (grafični prikaz na zadnji strani priročnika.)

### ① (sl. ①)

#### 1.

##### 1.1

S ploščatim izvijačem odstranite pokrov tečaja na desni strani, nato pa ločite priključek, povezan z vrhom tečaja

##### 1.2

Za rahljanje vijakov tečaja uporabite križni izvijač. Odstranite zgornji tečaj

##### 1.3

Premaknite sklop vrat navzgor, da odstranite sklop vrat

#### 2.

##### 2.1

S ploščatim izvijačem odstranite majhen pokrov na levi strani omarice. Namestite ga v odprtino na desni strani omarice.

##### 2.2

Odstranite pokrov na sprednji strani omarice in potegnite signalno žico na levo stran omarice

##### 2.3

Signalno žico vstavite v utor na sprednji plošči pokrova in jo pritrdite s sprednjo ploščo pokrova

#### 3.

##### 3.1

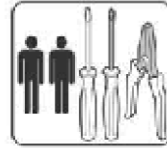
Odstranite tulec gredi tečaja na desni strani in pokrov na levi strani vrat

##### 3.2

Signalno žico na desni strani vrat pritisnite v utor v okrasnem traku in zaprite pokrov.

##### 3.3

Izvlcite signalno žico iz utora na levi strani vrat in jo potisnite v tulec gredi tečaja, nato pa jo vstavite v dekorativni trak



Pred začetkom delovanja odklopite napajanje in izpraznite napravo.

#### 4.

##### 4.1

Odstranite križni del kovinskega zaustavljalnika na desni strani sklopa vrat in ga namestite v ustrezen položaj na levi strani sklopa vrat.

##### 4.2

S križnim izvijačem odstranite spodnji tečaj.

#### 5.

A. S ključi ali kleščami odstranite gred tečaja in jo pritrdite v levo odprtino tečaja.

B. S križnim izvijačem odstranite vijake na levi strani ohišja omarice in vijake namestite na desno stran omarice. Na levi strani namestite spodnji tečaj.

#### 6.

##### 6.1

Namestite sklop vrat na gred na sklopu predela.

#### 7.

##### 7.1

Odstranite dodaten tečaj in pokrov tečaja s predela zamrzovalnika ter postavite odstranjen tečaj in pokrov tečaja v vrečko in ju shranite na drugem mestu.

##### 7.2

Vstavite tečaj v odprtino na levi strani sklopa vrat, nato z vijaki pritrdite tečaj in jih ozemljite tako, da pod vijake postavite podložke.

##### 7.3

Povežite priključke na omarici s priključki na sklopu vrat, nato pritrdite pokrov tečaja.

## ② (sl. ②)

1

- A. Odprite vrata
- B. Potisnite navzdol, da odstranite dva majhna pokrova na levi in desni strani
- C. Sprednji pokrov potisnite navzven

2

- A. Z izvijačem odstranite majhen pokrov na desni strani ohišja vrat
- B. Z izvijačem odstranite okrasne trakove navznoter

3

- A. S križnim izvijačem odvijte vijake tečaja, odstranite zgornji tečaj  
POZOR: Med odstranjevanjem podprite vrata, pazite, da ne poškodujete električne napeljave, ki povezuje vrata z glavnim delom zamrzovalnika.
- B. Odklopite priključek za ožičenje

4

- A. Premaknite ohišje vrat navzgor, da odstranite ohišje vrat
- B. S križnim izvijačem odstranite spodnji tečaj

5

- A. S ključi ali kleščami odstranite gred tečaja in jo pritrdite v levo odprtino tečaja.
- B. S križnim izvijačem odstranite vijake na levi strani ohišja omarice in vijake namestite na desno stran omarice. Na levi strani namestite spodnji tečaj.

## II

Smer za zamenjavo ročaja: glede na različne konfiguracije (slika je drugačna).

Pomožni ročaj: (sl. 1 in 2)

- A. S ploščatim izvijačem odstranite zgornji pokrov ročaja. Odstranite oba vijaka in nato odstranite ročaj.
- B. S ploščatim izvijačem odstranite čep vijaka na desni strani ohišja vrat. Premaknite čep vijaka na levo stran in zaprite odprtino vijaka. Pritrdite ročaj na desni strani in ga pokrijte.

6

- A. S ploščatim izvijačem odstranite čep vijaka na desni strani ohišja vrat.
- B. Odstranite gred zgornjega tečaja in jo pritrdite na tečaj v obratni smeri. Premaknite čep vijaka na levo stran in zaprite odprtino vijaka.

7

- A. Priključite električno napeljavo v okrasnem traku vrat na priključek v tečaju. Previdno postavite električno napeljavo v pokrov dekorativnega traka.
- B. Na desni strani pritrdite dekorativni trak in njegov majhen pokrov.
- C. Zaprite zgornji sprednji pokrov omarice. Vstavite leve in desne majhne pokrove v utor.

Navadni ročaj: (sl. 3)

- A. S ploščatim izvijačem odstranite zgornji pokrov ročaja. Odstranite oba vijaka in nato odstranite ročaj.
- B. S ploščatim izvijačem odstranite čep vijaka na desni strani ohišja vrat. Premaknite čep vijaka na levo stran in zaprite odprtino vijaka.
- C. Pritrdite ročaj na desni strani in ga pokrijte.

## Odmrzovanje in čiščenje

ODMRZOVANJE ZAMRZOVALNIKA: Zamrzovalnik se odmrzne samodejno. Ročni poseg ni potreben.

ČIŠČENJE: Napravo je treba redno čistiti, da preprečite neprijetne vonjave po shranjeni hrani.

Pred čiščenjem zamrzovalnika odklopite napajalni kabel.

Hladilnik očistite z mehko krpo ali gobo s toplo vodo (lahko ji dodate blag detergent).

Kapljice vode na površini hladilnika obrišite s suho krpo.

Tesnilo na vratih naj bo vedno čisto.

**⚠** Hladilnik je zelo težek. Ko ga premikate zaradi čiščenja ali popravila, pazite, da ne poškodujete tal. Med premikanjem naj bo zamrzovalnik postavljen pokonci. Zamrzovalnika ne premikajte tako, da ga ziblujete, da se izognete poškodbam tal.

**⚠** Ne škropite ali izpirajte zamrzovalnika z vodo, da se izognete vplivu na njegovo električno izolacijo.

**⚠** Ne čistite s trdo krtačo, žično krtačo, detergentom v prahu, bencinom, amil acetatom, acetonom in podobnimi organskimi raztopinami, toplo vodo ali kislimi ali alkalnimi raztopinami.

**⚠** Pri čiščenju zaslona in drugih električnih naprav uporabite suho krpo.



## Prenehanje uporabe

Če zamrzovalnika ne boste uporabljali dalj časa, odklopite napajalni kabel in ga očistite na zgoraj opisan način. Vrata zamrzovalnika naj bodo odprta, da preprečite, da bi hrana, ki je ostala v predalu, povzročala neprijetne vonjave.

**⚠** Za zagotovitev življenjske dobe naprave je priporočljivo, da zamrzovalnika ne izklapljate, razen če je to potrebno.

## Premikanje zamrzovalnika

Odklopite napajalni vtič in izklopite napajanje.

Vzemite vso hrano iz zamrzovalnika.

Predale in druge premične dele v zamrzovalniku zavarujte z lepilnim trakom.

Zaprte vrata in jih pritrdite z lepilnim trakom, da se pri premikanju ne bodo odprla.

Zamrzovalnika ne nagibajte za več kot 45 stopinj (kot na navpičnico), da se izognete poškodbam hladilnega sistema pri premikanju zamrzovalnika.

Zavijte noge zamrzovalnika, da preprečite praskanje tal. Zamrzovalnika nikoli ne premikajte na silo. Zamrzovalnika ne premikajte za ročaj, pokrov ali cevi, da se izognete poškodbam lastnine ali telesnim poškodbam.

**⚠** Nikoli ne postavljajte hladilnika vodoravno navzdol.

# ODPRAVLJANJE TEŽAV

Preden pokličete servis, najprej preberite naslednjo tabelo za odpravljanje težav. To vam lahko prihrani čas in denar. Tabela vsebuje pogoste težave, razen tistih, ki jih povzročajo napake v izdelavi ali materialu hladilnika.

TEŽAVE	VZROKI	REŠITVE
<b>Delovanje zamrzovalnika</b>		
Kompresor ne deluje	Izdelek je v ciklu odmrzovanja. Zamrzovalnik ni priključen v električno vtičnico. Izdelek je IZKLOPLJEN.	<input type="checkbox"/> To je normalno za zamrzovalnik s samodejnim odmrzovanjem. <input type="checkbox"/> Preverite, ali so vtič, vtičnica ali varovalka poškodovani. Če so v redu, vklopite napajanje. <input type="checkbox"/> Pritisnite gumb za vklop, da znova zaženete zamrzovalnik.
Zamrzovalnik deluje pogosto ali predolgo	Notranja ali zunanja temperatura je visoka. <input type="checkbox"/> Zamrzovalnik je bil nekaj časa izklopljen. <input type="checkbox"/> Vrata se odpirajo prepogosto ali za daljše obdobje naenkrat. <input type="checkbox"/> Vrata zamrzovalnika niso trdno zaprta. <input type="checkbox"/> Nastavitev temperature je prenizka. <input type="checkbox"/> Tesnila vrat so umazana, obrabljena, razpokana ali neustrezna. <input type="checkbox"/> Kondenzator je umazan. <input type="checkbox"/> Prezračevanje okoli zamrzovalnika je nezadostno.	<input type="checkbox"/> V tem primeru je normalno, da zamrzovalnik deluje dlje. <input type="checkbox"/> Običajno traja 8 do 12 ur, da se zamrzovalnik popolnoma ohladi. <input type="checkbox"/> Topel zrak vstopi v zamrzovalnik in povzroči pogost zagon. Vrat ne odpirajte prepogosto. <input type="checkbox"/> Zagotovite, da je zamrzovalnik nameščen na ravni podlagi in da vrat ne ovira nobena posoda ali hrana. <input type="checkbox"/> Nastavite višjo temperaturo, dokler ni dosežena zadovoljiva temperatura za zamrzovanje. Temperatura zamrzovalnika se doseže v 24 urah. <input type="checkbox"/> Očistite ali zamenjajte tesnilo vrat. Puščanje tesnila na vratih lahko povzroči daljši čas delovanja zamrzovalnika, da se ohrani želena temperatura. <input type="checkbox"/> Očistite kondenzator. <input type="checkbox"/> Preverite, ali je prezračevalni prostor priporočene velikosti in ali ga ni blokiral noben predmet.
<b>Previsoka temperatura</b>		
Previsoka temperatura znotraj izdelka	Vrata se odpirajo prepogosto ali so vsakič predolgo odprta. Temperatura je nastavljena previsoko. Vrata niso tesno zaprta. Kondenzator je umazan.	Topel zrak bo vstopil v hladilnik, kadar koli se bodo vrata odprla. Poskusite vrata odpirati čim manj pogosto. Ponastavite temperaturo. Zagotovite, da je zamrzovalnik nameščen na ravni podlagi in da vrat ne ovira nobena posoda ali hrana. Očistite kondenzator.
<b>Voda/vlaga/zmrzal na zunanji površini zamrzovalnika</b>		
Na zunanji površini zamrzovalnika se nabira vlaga	Vlažno podnebje. Vrata niso tesno zaprta. To povzroči kondenzacijo hladnega zraka v zamrzovalniku in toplega zraka zunaj njega.	To je normalno v vlažnem podnebju. Vlažnost se bo zmanjšala, ko bo vlaga padla. Prepričajte se, da so tla ravna in da nobena hrana ali posoda ne preprečuje popolnega zapiranja vrat.

# ODPRAVLJANJE TEŽAV

TEŽAVE	VZROKI	REŠITVE
<b>Slab vonj v zamrzovalniku</b>		
Notranjost zamrzovalnika je umazana	Notranjost hladilnika je treba počistiti. <input type="checkbox"/> V hladilniku je shranjena hrana z močnim vonjem.	Očistite notranjost hladilnika. (Glejte Odmrzovanje in čiščenje) <input type="checkbox"/> Preverite, ali je hrana pokvarjena. Iz zamrzovalnika vzemite pokvarjeno hrano ali hrano močnega vonja.
<b>Če slišite</b>		
Piske	Vrata zamrzovalnika so odprta. <input type="checkbox"/> Temperatura v zamrzovalniku je previsoka. <input type="checkbox"/> Nekateri deli so lahko poškodovani.	Zaprite vrata ali ročno utišajte alarm. <input type="checkbox"/> Alarm je normalen, ko ga prvič zaženete ali prvič shranite hrano. Alarm lahko utišate ročno. <input type="checkbox"/> Obrnite se na poprodajno servisno osebje.
Nenormalen zvok	Zamrzovalnik ni nameščen na ravnem mestu. <input type="checkbox"/> Zamrzovalnik se dotika določenega predmeta okoli njega.	Prilagodite noge, da poravnate hladilnik. <input type="checkbox"/> Odstranite predmete okoli izdelka.
Rahel zvok, podoben zvoku tekoče vode	To je zvok hladilnega sistema.	Običajno.
Ogrevanje omarice	Hladilni sistem deluje kot hladilni sistem.	To preprečuje kondenzacijo in je normalno.

Tablica s podatki

Tablica s podatki je v zamrzovalniku, pritrjena visoko na levi strani.

Na tablici s podatki so navedene pomembne informacije o zamrzovalniku; ne smete jih spreminjati ali odstranjevati.

Za veljavno zmogljivost in nazivno porabo električne energije, prikazano na označevalni tablici, veljajo ustrezni standardi.

Glede podrobnosti specifikacije si oglejte tipsko ploščico in energijsko nalepko v izdelku. Ta aparat je namenjen uporabi pri naslednji temperaturi okolice:

SN	+ 10 °C~+32 °C
N	+ 16 °C~+32 °C
ST	+ 16 °C~+38 °C
T	+ 16 °C~+43 °C

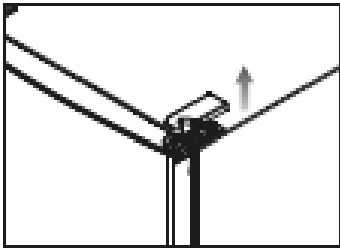
Minimalna garancija je: 2 leti za države EU, 3 leta za Turčijo, 1 leto za Združeno kraljestvo, 1 leto za Rusijo, 3 leta za Švedsko, 2 leti za Srbijo, 5 let za Norveško, 1 leto za Maroko, 6 mesecev za Alžirijo, Tunizija zakonsko jamstvo ni potrebno

Termostati, temperaturni senzorji, tiskana vezja in svetlobni viri so na voljo najmanj sedem let po dajanju zadnje enote modela na trg. Ročaji za vrata, tečaji vrat, pladnji in košare za najmanj sedem let in tesnila za vrata najmanj 10 let, po dajanju zadnje enote modela na trg

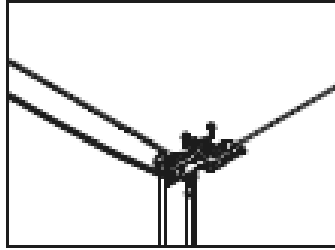
①

I

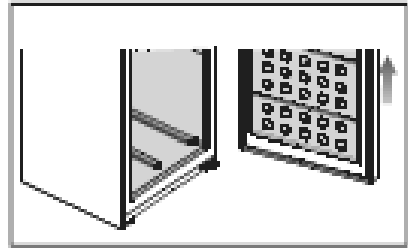
1.1



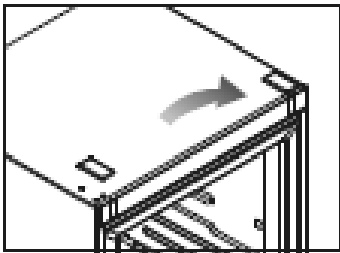
1.2



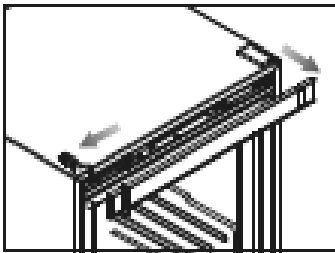
1.3



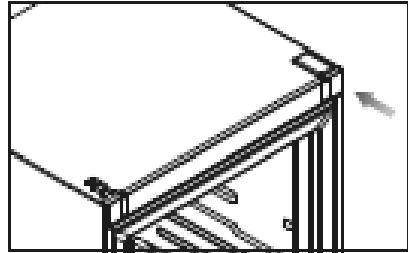
2.1



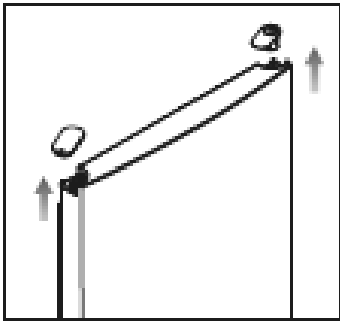
2.2



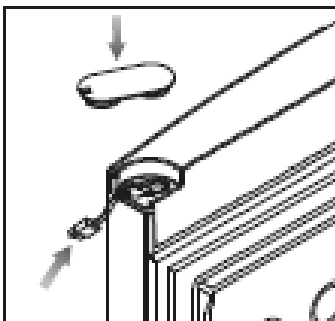
2.3



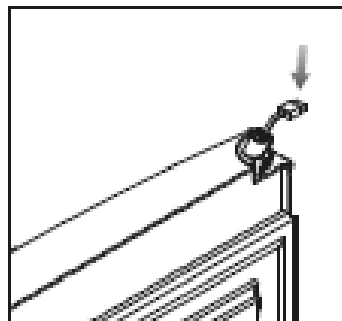
3.1



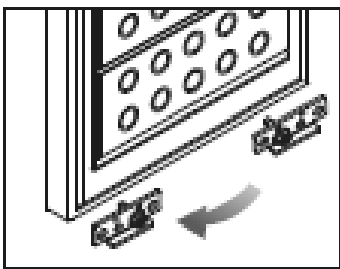
3.2



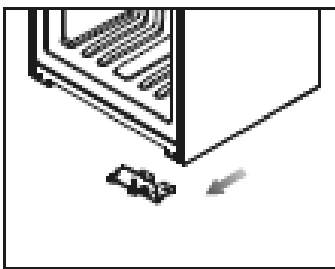
3.3



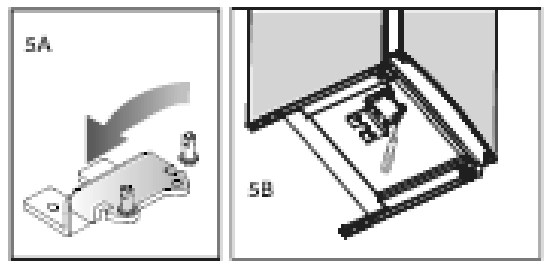
4.1



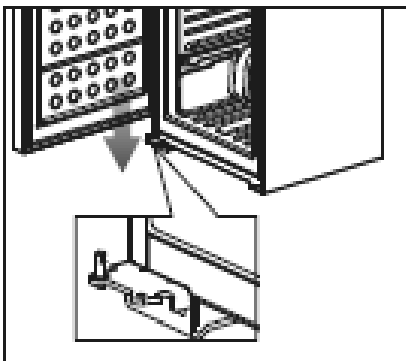
4.2



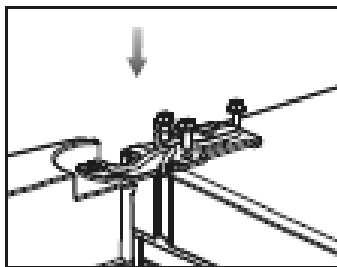
5



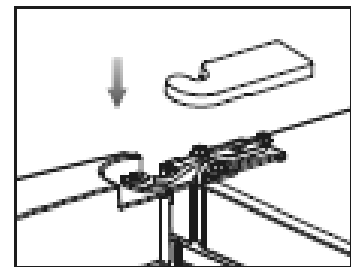
6.1



7.2

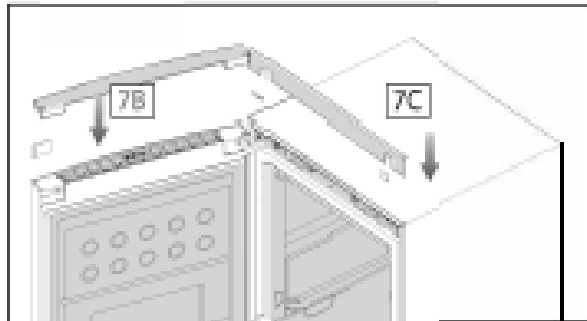
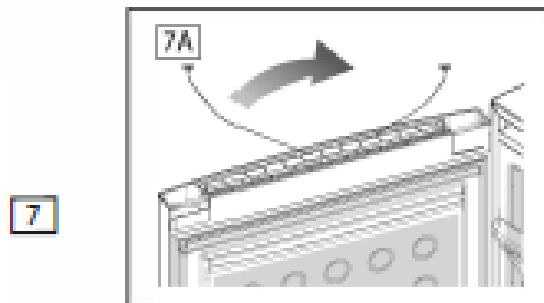
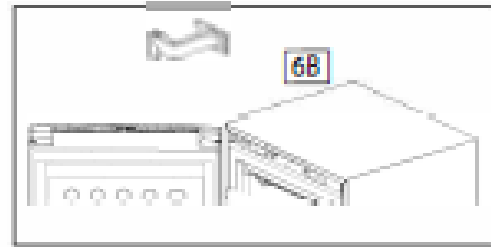
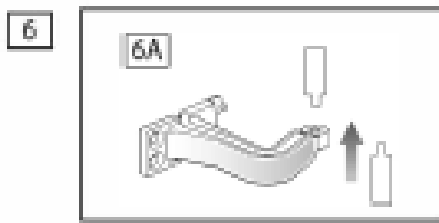
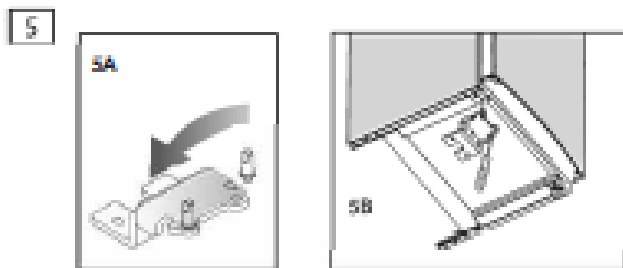
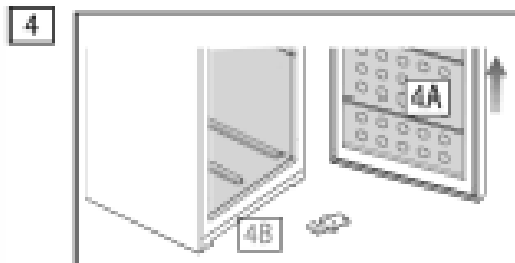
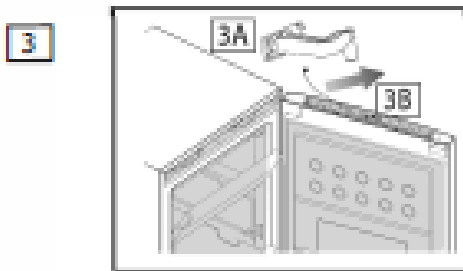
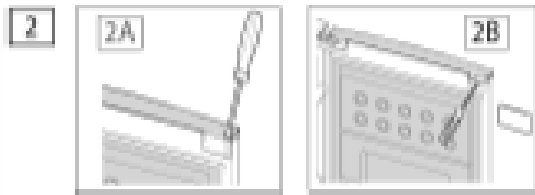
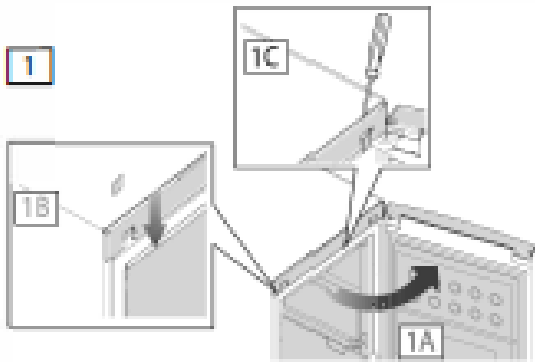


7.3

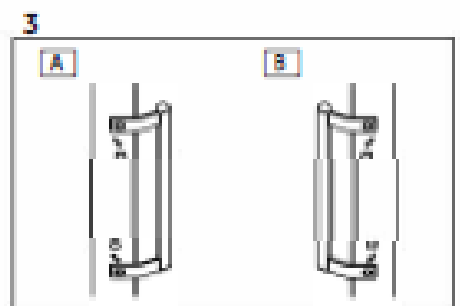
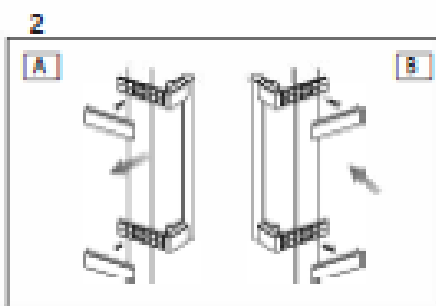
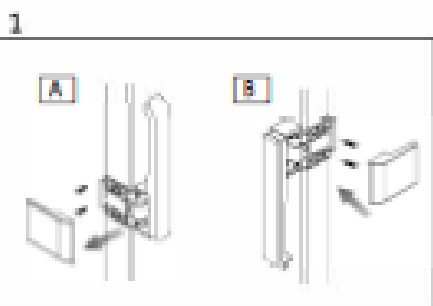


②

I



II





0070515623