

# Haier

HWS247GGU1

HWS236GDGU1



Wine Cellar  
User Guide

Weinkühler  
Bedienungsanleitung

Cave à vin  
Manuel d'Utilisation

Cantinetta per vini  
Manuale utente

Bodega de vinos  
Manual del Usuario

Chłodziarka do winnika  
Podręcznik użytkownika

Cavede Vinho  
Manual do Utilizador

Wijnkelder  
Handleiding

Hladilnik za vino  
Navodila za uporabo

Vinný sklípek  
Uživatelská příručka

Vinotéka  
Návod na použitie

EN

DE

FR

IT

ES

PL

PT

NL

SL

CS

SK

# Safety information



**EN WARNING: Risk of fire/flammable material.**

The symbol indicates there is a risk of fire since flammable materials are used. Take care to avoid causing a fire by igniting flammable material.

**DE WARNUNG: Brandgefahr/ brennbares Material.**

Das Symbol weist auf Brandgefahr hin, da brennbare Materialien verwendet werden. Verhindern Sie die Entstehung von Bränden, die durch entflammbare Materialien verursacht werden.

**FR ATTENTION: Risque d'incendie ou de matières inflammables.**

Le symbole montre qu'il y'a le risque de matériaux inflammables sont utilisés. Prendre soin d'éviter de provoquer un incendie en ingérant des matières inflammables.

**IT ATTENZIONE: Rischio di incendio/materiale infiammabile.** Il simbolo indica il rischio di incendio nel caso di utilizzo di materiali infiammabili. Fare attenzione ed evitare l'insorgere di incendi a causa della combustione di materiali infiammabili.

**ES ADVERTENCIA: Riesgo de incendio o material inflamable.** El símbolo indica que existe riesgo de incendio, dado que se utilizan materiales inflamables. Se debe procurar evitar incendios mediante la combustión de materiales inflamables.

**PL OSTRZEŻENIE: Ryzyko pożaru/materiał łatwopalny.** Symbol wskazuje, że istnieje ryzyko pożaru, ponieważ używane są materiały łatwopalne. Dbaj o to, aby uniknąć pożaru poprzez zapale nie łatwopalnego materiału.

**RT ADVERTÊNCIA: Risco de incêndio/material inflamável.** O símbolo indica que existe um risco de incêndio uma vez que são usados materiais inflamáveis. Ter cuidado para evitar provocar um incêndio por acender material inflamável.

**NL WAARSCHUWING: Brandrisico / brandbaar materiaal.** Het systeem geeft aan dat er een brandrisico bestaat aangezien brandbaar materiaal wordt gebruikt. Zorg ervoor dat er geen brand wordt veroorzaakt door brandbaar materiaal te ont steken.

**SI OPOZORILO: Nevarnost požara/vnetljiv material.** Simbol označuje nevarnost požara, saj se uporabljajo vnetljivi materiali. Pazite, da ne povzročite požara z žigom vnetljivega materiala.

**CS VAROVÁNÍ: Nebezpečí požáru/hořlavý materiál.**

Tento symbol signalizuje, že hrozí nebezpečí požáru kvůli použití hořlavých materiálů. Dejte pozor, abyste zamezili způsobení požáru zapálením hořlavého materiálu.

**SK VAROVANIE: Nebezpečenstvo požiaru/horľavý materiál.**

Symbol označuje nebezpečenstvo požiaru, pretože sa používajú horľavé materiály. Dávajte pozor, aby ste zabránili vzniku požiaru vznietením horľavého materiálu.



Haier

User Manual

Wine Cellar

HWS247GGU1  
HWS236GDGU1

EN

**Haier**

## Thank you for purchasing a Haier Product.

Please read these instructions carefully before using this appliance. The instructions contain important information which will help you get the best out of the appliance and ensure safe and proper installation, use and maintenance.

Keep this manual in a convenient place so you can always refer to it for the safe and proper use of the appliance.

If you sell the appliance, give it away, or leave it behind when you move house, make sure you also pass this manual so that the new owner can become familiar with the appliance and safety warnings.



### Legend

#### Warning – Important Safety information



General information and tips



Environmental information



### Disposal

Help protect the environment and human health. Put the packaging in applicable containers to recycle it. Help to recycle waste of electrical and electronic appliances. Do not dispose appliances marked with this symbol with the household waste. Return the product to your local recycling facility or contact your municipal office.



## WARNING!

### Risk of injury or suffocation!

Refrigerants and gases must be disposed of professionally. Ensure that the tubing of the refrigerant circuit is not damaged before being properly disposed of. Disconnect the appliance from the mains supply. Cut off the mains cable and dispose of it. Remove the trays and drawers as well as the door catch and seals, to prevent children and pets to get closed in the appliance.

Old appliances still have some residual value. An environmentally friendly method of disposal will ensure that valuable raw materials can be recovered and used again.

Cyclopentane, a flammable substance not harmful to ozone, is used as an expander for the insulating foam.

By ensuring this product is disposed of correctly, you will help prevent potential negative consequences for the environment and human health, which could otherwise be caused.

For more detailed information about recycling of this product, please contact your local council, your household waste disposal service or the shop where you purchased the product, handled by the professionals.

1- Safety information.....	4
2- Safety tips.....	7
3- Maintenance .....	11
4-Accessories.....	13
5- Product description .....	14
6- Installation .....	15
7- Use.....	19
8- Energy saving tips .....	24
9 - Equipment .....	25
10- Care and cleaning.....	26
11- Troubleshooting .....	27
12- Technical data .....	30
13- Customer Service .....	31
14- Wine bottle stacking.....	32

This appliance is intended to be used exclusively for the storage of wine. Before switching on the appliance for the first time read the following safety hints:



## WARNING!

### Before first use

- ▶ Make sure there is no transport damage.
- ▶ Remove all packaging and keep out of children's reach and dispose them in an environmentally friendly manner.
- ▶ Wait at least 0.5 hours before installing the appliance in order to ensure the refrigerant circuit is fully efficient.
- ▶ Handle the appliance always with at least two persons because it is heavy.

### Installation

- ▶ The appliance should be placed in a well-ventilated place. Ensure a space of at least 50mm above and around the appliance.
- ▶ **WARNING:** Keep ventilation openings, in the appliance enclosure or in the built-in structure, clear of obstruction.
- ▶ Never place the appliance in a damp area or location where it might be splashed with water. Clean and dry water splashes and stains with a soft clean cloth.
- ▶ Do not install your wine cellar in any location not properly insulated or heated e.g. garage etc. Your wine cellar was not designed to operate in ambient temperature below 10 °C.
- ▶ Do not install the appliance in direct sunlight or in the near of heat sources (e.g. stoves, heaters).
- ▶ Install and level the appliance in an area suitable for its size and use.
- ▶ Make sure that the electrical information on the rating plate agrees with the power supply. If it does not, contact an electrician.
- ▶ The appliance is operated by a 220-240 VAC/50 Hz power supply. Abnormal voltage fluctuation may cause the appliance to fail to start, or damage to the temperature control or compressor, or there may be an abnormal noise when operating. In such case, an automatic regulator shall be mounted.
- ▶ Do not use multi-plug adapters and extension cables.

**WARNING!**

- ▶ **WARNING:** Do not locate multiple portable socket outlets or portable power supplies at the rear of the appliance.
- ▶ **WARNING:** When positioning the appliance, ensure the supply cord is not trapped or damaged.
- ▶ Do not step on the power cable.
- ▶ Use a separate earthed socket for the power supply which is easy accessible. The appliance must be earthed.
- ▶ **Only for UK:** The appliance's power cable is fitted with 3-cord (grounding) plug that fits a standard 3-cord (grounded) socket. Never cut off or dismount the third pin (grounding). After the appliance is installed, the plug should be accessible.
- ▶ **WARNING:** Do not damage the refrigerant circuit.

**Daily use**

- ▶ This appliance can be used by children aged from 8 years and above and persons with reduced physical, sensory or mental capabilities or lack of experience and knowledge if they have been given supervision or instruction concerning use of the appliance in a safe way and understand the hazards involved.
- ▶ Children shall not play with the appliance.
- ▶ Children aged from 3 to 8 years are allowed to load and unload refrigerating appliances, but not allowed to clean and install the refrigerating appliances.
- ▶ Keep away children under 3 years of age from the appliance unless they are constantly supervised.
- ▶ Cleaning and user maintenance shall not be made by children without supervision.
- ▶ The appliance must be positioned so that the plug is accessible.
- ▶ If coal gas or other inflammable gas is leaking into vicinity of the appliance, turn off the valve of the leaking gas, open the doors and windows and do not unplug the power cable of the appliance.
- ▶ Wait at least 7 minutes to reconnect the power after the power has been disconnected.
- ▶ Do not lift the appliance by its door handles.
- ▶ The keys must be kept out of the reach of children and not in the vicinity of the appliance to prevent children from being locked inside the appliance.



## WARNING!

- ▶ Notice that the appliance is set for operation at the specific ambient range between 10 and 38°C. The appliance may not work properly if it is left for a long period at a temperature above or below the indicated range.
- ▶ Do not place unstable articles (heavy objects, containers filled with water) on top of the appliance, to avoid personal injury caused by falling or electric shock caused by contact with water.
- ▶ Open and close the door only with the handles. The gap between the door and the cabinet is very narrow. Do not put your hands in these areas to avoid pinching your fingers. Open or close the appliance doors only when there are no children standing within the range of door movement.
- ▶ Do not store or use inflammable, explosive or corrosive materials in the appliance or in the vicinity.
- ▶ Do not store explosive substances such as aerosol cans with a flammable propellant in this appliance.
- ▶ Do not store medicines, bacteria or chemical agents in the appliance. This appliance is a household appliance. It is not recommended to store materials that require strict temperatures.
- ▶ Do not set unnecessarily low temperature in the wine cabinet compartment. Minus temperatures may occur at high settings. Attention: Bottles can burst
- ▶ Do not touch the inside surface of the appliance compartment when in operation, especially with wet hands, as your hands may freeze onto the surface.
- ▶ For proper wine cooling, do not overload the appliance.
- ▶ Unplug the appliance in the event of a power interruption or before cleaning. Allow at least 7 minutes before restarting the appliance, as frequent starting may damage the compressor.
- ▶ **WARNING:** Do not use electrical devices inside the appliance, unless they are of the type recommended by the manufacturer. To avoid risks a damaged power cord must be replaced by the customer service (see warranty card).
- ▶ To prolong the service life of the appliance, avoid turning it off.
- ▶ Never place the appliance horizontally on the ground. After tilting the appliance more than 45°, wait for 24 hours before plugging it in.

**WARNING!****Maintenance / cleaning**

- ▶ Make sure children are supervised if they carry out cleaning and maintenance.
- ▶ Disconnect the appliance from the electrical supply before undertaking any routine maintenance. Allow at least 7 minutes before restarting the appliance, as frequent starting may damage the compressor.
- ▶ Hold the plug, not the cable, when unplugging the appliance.
- ▶ Do not clean the appliance with hard brushes, wire brushes, detergent powder, petrol, amyl acetate, acetone and similar organic solutions, acid or alkaline solutions. Please clean with special refrigerator/freezer detergent to avoid damage. Eventually use warm water and baking soda solution - about a tablespoon of baking soda to a litre/quart of water. Rinse thoroughly with water and wipe dry. Do not use cleaning powders or other abrasive cleaners. Do not wash removable parts in a dishwasher.
- ▶ **WARNING:** Do not use mechanical devices or other means to accelerate the defrosting process, other than those recommended by the manufacturer.
- ▶ If the supply cord is damaged, it must be replaced by the manufacturer, its service agent or similarly qualified persons in order to avoid a hazard.
- ▶ Do not try to repair, disassemble or modify the appliance by yourself. In case of repair please contact our customer service.
- ▶ If the illuminating lamps are damaged, it must be replaced by the manufacturer, its service agent or similarly qualified persons in order to avoid a hazard.
- ▶ Eliminate the dust on the back of the unit at least once in the year to avoid hazard by fire, as well as increased energy consumption.

- ▶ Do not spray or flush the appliance during cleaning.
- ▶ Do not use water spray or steam to clean the appliance.
- ▶ Do not clean the cold glass door with hot water. Sudden temperature change may cause the glass to break.
- ▶ If you leave your appliance out of use for an extended period, leave it open to prevent odour and unpleasant smells building up inside.

## Refrigerant gas information



### **WARNING!**

The appliance contains the flammable refrigerant ISOBUTANE (R600a). Make sure the refrigerant circuit is not damaged during transportation or installation. Leaking refrigerant may cause eye injuries or ignite. If a damage has occurred, keep away open fire sources, thoroughly ventilate the room, do not plug or unplug the power cords of the appliance or any other appliance. Inform the customer service.

In case of eyes get into contact with the refrigerant, rinse it immediately under running water and call immediately the eye specialist.

**WARNING:** The refrigeration system is under high pressure. Do not tamper with it. Since the flammable refrigerants are used, please, install, handle and service the appliance strictly according to the instruction and contact the professional agent or our after-sales service to dispose of the appliance.

**Intended use**


This appliance is intended to be used in household and similar applications such as

- staff kitchen areas in shops, offices and other working environments;
  - farm houses and by clients in hotels, motels and other residential type environments;
  - bed and breakfast type environments;
  - catering and similar non-retail applications.
- ▶ To ensure the safe preservation of wine, please comply with this instruction for use.
- ▶ The details on the most appropriate part in the compartment of the appliance where specific types of food shall be stored, considering the distribution of temperature that can be present in the different compartments of the appliance are in the other part of the manual.

Changes or modifications to the device are not allowed. Unintended use may cause hazards and loss of warranty claims.

## Disposal



The  symbol on the product or on its packaging indicates that this product may not be treated as household waste. Instead it shall be handed over to the applicable collection point for the recycling of electrical and electronic equipment. By ensuring this product is disposed of correctly, you will help prevent potential negative consequences for the environment and human health, which could otherwise be caused by inappropriate waste handling of this product. For more detailed information about recycling of this product, please contact your local city office, your household waste disposal service or the shop where you purchased the product.

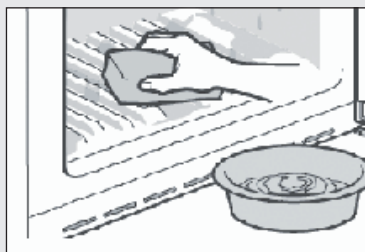
Since the flammable insulation blowing gases are used, please contact the professional agent or our after-sale service to dispose of the appliance.

## **WARNING!**

### **Risk of injury of suffocation!**

Refrigerants and gases must be disposed of professionally. Ensure that the tubing of the refrigerant circuit is not damaged before being properly disposed of. Disconnect the appliance from the mains supply. Cut off the mains cable and dispose of it. Remove the trays and drawers as well as the door catch and seals to prevent children and pets to get closed in the appliance.

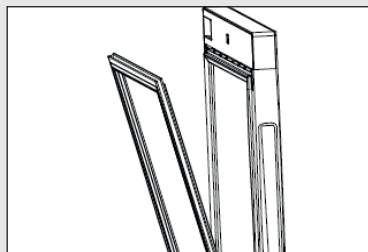
- ▶ **WARNING:** Disconnect the appliance from the power supply before cleaning.
- ▶ Do not clean the appliance with hard brushes, wire brushes, detergent powder, petrol, amyl acetate, acetone and similar organic solutions, acid or alkaline solutions. Please clean with special refrigerator detergent to avoid damage.
- ▶ Clean the appliance when only little or no wine is stored. It is only necessary to clean it when it is dirty.
- ▶ Clean the inside and housing of the appliance with a sponge damped in warm water and neutral detergent
- ▶ Rinse with clean warm water and dry with soft cloth.
- ▶ Do not clean any of the parts of the appliance in a dishwasher.
- ▶ Allow at least 7 minutes before re-starting the appliance as frequent starting may damage the compressor.



### Clean the door gasket:

- ▶ The door gaskets should be cleaned every 3 months to assure a proper seal. As below : Remove: Grasp the door gasket and pull it out according to the direction of arrow to remove the whole door gasket in order.

Dip the brush with water or food grade alcohol, clean up the door gasket groove firstly by pulling back and forth the brush. Then wipe door gasket surface with a towel dipped with water or food grade alcohol. Finally, wash the door gasket clean and wipe it dry with a clean towel.



## **Installation door gasket after cleaning:**

Before installation, make sure that there is no water on the door gasket. Insert the door gasket into the groove, and press the door gasket tightly from the top to the bottom by hand until the whole door gasket is inserted into the groove.

## **Cleaning the shelves:**

- ▶ All shelves can be taken out for cleaning.
- ▶ Take out all bottles.
- ▶ Lift each shelf a little and take it out.
- ▶ Clean the shelf with a soft towel.
- ▶ Wait until the shelves are dry before putting them back in.

## **WARNING:**

Wait at least 7 minutes to reconnect the power after the power has been disconnected.

Check the accessories and literature in accordance with this list:  
without isolation.

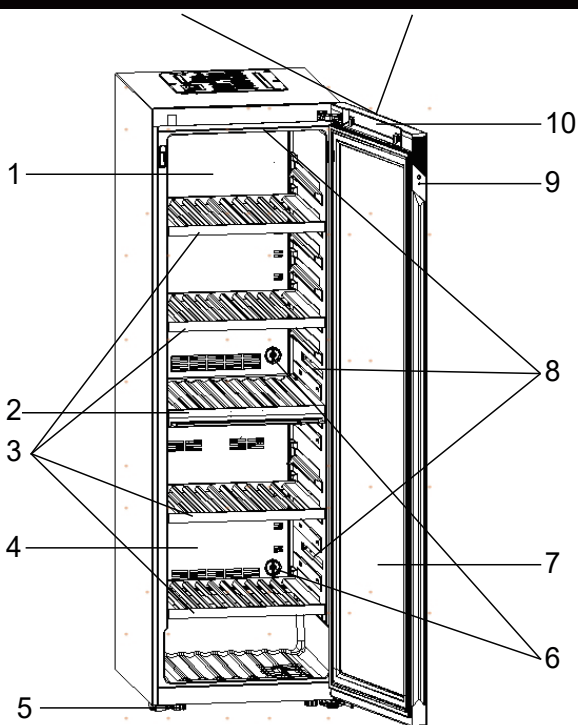
Name	User Manual	Service Card	Shelf	Hinger-Cover	Energy Label	Key
HWS247GGU1	1	1	5	1	1	2
HWS236GDGU1	1	1	4	1	1	2



## Notice

Due to technical changes and different models, some of the illustrations in this manual may differ from your model.

### Picture of appliance



(HWS236GDGU1)

- |                                 |                            |
|---------------------------------|----------------------------|
| 1. Upper air duct baffle        | 6. Activated carbon filter |
| 2. partition(except HWS247GGU1) | 7. Door                    |
| 3. Shelf                        | 8. LED lamp                |
| 4. Lower air duct baffle        | 9. Lock                    |
| 5. Adjustable feet              | 10. Display                |

## 1. Unpacking

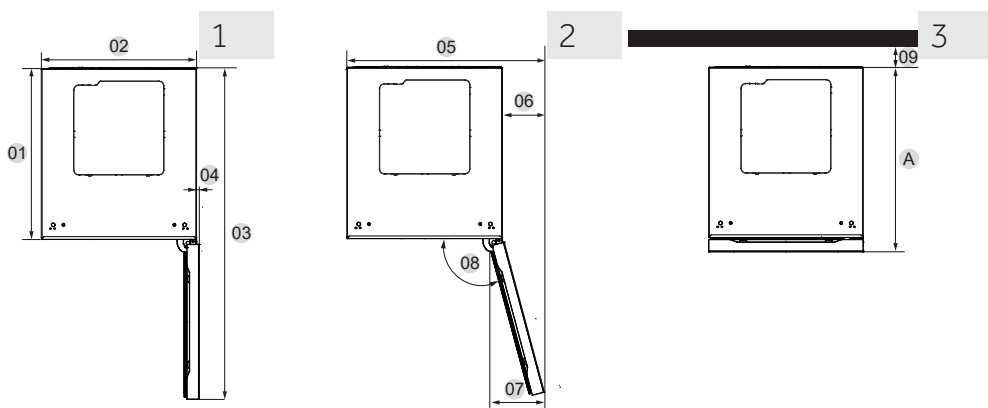
- ▶ Take the appliance out of the packaging.
- ▶ Remove all packaging materials including the foam base and all adhesive tape holding the accessories.

## 2. Environmental conditions

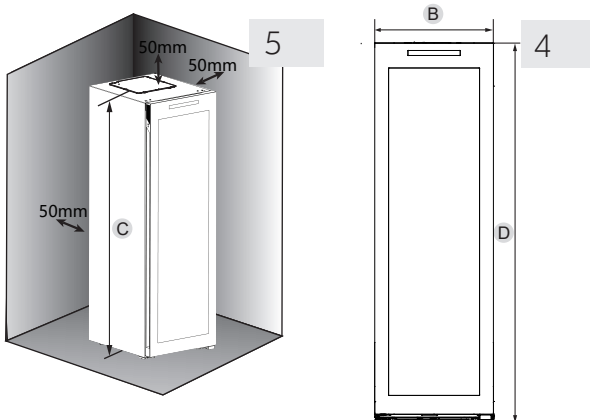
The room temperature should always be between 10 °C and 38 °C, since it can influence the temperature inside the appliance and its energy consumption. Do not install the appliance near other heat-emitting appliances (ovens, refrigerators) without isolation.

## 3. Space requirements

Required space to open the door (Fig. 1,2,3,4); For safety and energy reasons, the required ventilation distance of 50 mm in all directions must be observed (Fig.5).



Measurement: mm	HWS247GGU1	HWS236GDGU1
Depth A	714	714
Width B	597	597
Height C	1905	1905
Overall Height D	1900	1900
01	654	654
02	595	595
03	1273	1273
04	11	11
05	756	756
06	161	161
07	200	200
08	105°	105°
09	50	50





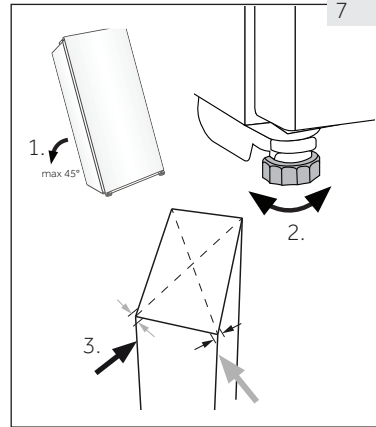
## WARNING!

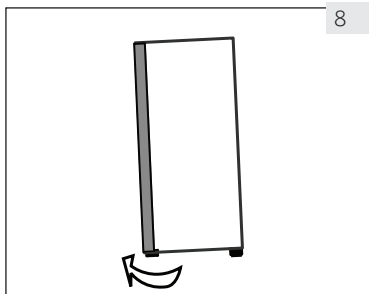
- ▶ Keep ventilation openings in the appliance or in the in-built structure clear of obstruction. This refrigerating appliance is not intended to be used as a built-in appliance.

### 5. Aligning the appliance

The appliance should be placed on a flat and solid surface.

1. Tilt the appliance slightly backwards (Fig. 7).
2. Set the adjustable front feet to the desired level by turning them.
3. The stability can be checked by alternately bumping on the diagonals. The slight swaying should be the same in both directions. Otherwise the frame can warp; possible leaking door seals are the result. A low tendency to the rear facilitates the closing of the door.





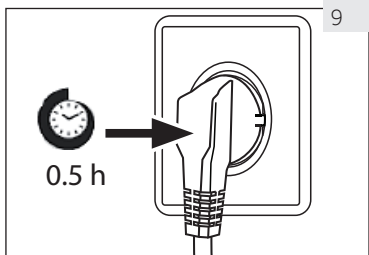
8

## 6. Fine tuning of the door

The appliance closes more easily if the levelling feet on the front are used:

Rotate the adjustable feet (Fig. 8) to turn them up or down:

- ▶ Turning the feet clockwise raises the appliance.
- ▶ Turning the feet counterclockwise lower the appliance.



9

## 7. Waiting time

The maintenance-free lubrication oil is located in the capsule of the compressor. This oil can get through the closed pipe system during transport if the appliance is tilted. Before connecting the appliance to the power supply, wait 0.5 hours (Fig. 9) so that the oil runs back into the capsule.

## 8. Electrical connection

Before each connection check if:

- ▶ power supply, socket and fusing are appropriate to the rating plate.
- ▶ the power socket is earthed and no multi-plug or extension.
- ▶ the power plug and socket are fit properly.

Connect the plug to a properly installed household socket.



### WARNING!

To avoid risks a damaged power cord must be replaced by the customer service (see warranty card).

## 9. Door Reversibility

Before connecting the appliance to the power supply you should check, whether the door swing must changed from right (as delivered) to left, if this is required by the installation location and the usability

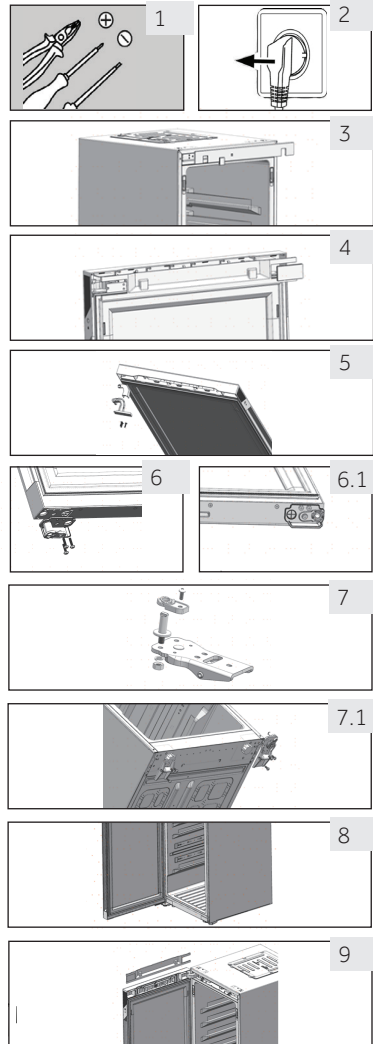


### WARNING!

- ▶ The appliance is heavy. You need two persons to carry out the door reversibility.
- ▶ Before any operation, first unplug the appliance from the mains.
- ▶ Do not tilt the appliance more than 45 ° to prevent damage of the cooling system.

## Assembly steps

1. Provide necessary tool.
2. Unplug the appliance.
3. Remove the upper beam cover and small cover, Left and right transposition installation of small cover.
4. Remove the cable tray cover and trim cover, Left and right transposition installation of decorative cover. Remove the black rubber plug from the left Keyhole on the inside of the door body and install it on the right keyhole.
5. Remove hinge cover, Use the tool to remove 3 screws and remove the portal body .
6. Remove the 3 screws under the portal body with the tool, portal body cam and door stop, the left and right transposition is installed on the other side of the portal body .
7. Remove the box hinge assembly with the tool, first remove the hinge cam in the lower hinge assembly, replace the hinge shaft to the right screw hole, assembly. Transposition installation with the caster support assembly on the right side of the box.
8. The portal body is installed vertically downward on the hinge shaft.
9. The upper hinge is inserted into the shaft hole of the portal body, fix the box with screws, install the wire box cover and the upper beam trim cover.



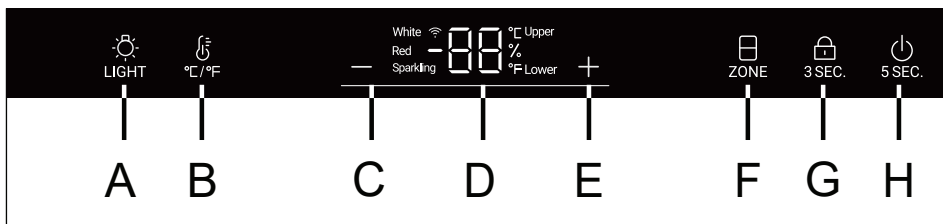
## 1. Before first use

- ▶ Remove all packaging materials. This includes the foam base and all adhesive tape holding the wine cellar accessories inside and outside. Keep them out of children's reach and dispose them in an environmentally friendly manner.
- ▶ Clean the inside and outside of the appliance with water and a mild detergent before putting any wine in it.
- ▶ After the appliance has been levelled and cleaned, wait for at least 2 hours before connecting it to the power supply. If your wine cellar has been tilted for any reason, wait 24 hours before plugging it in. See section INSTALLATION.
- ▶ Once you have plugged the unit into an electrical outlet, let the unit run for at least 30 minutes to acclimatize itself before making any adjustments.
- ▶ The temperature is automatically set to 12 °C. If desired, you can change the temperature manually. Please see TEMPERATURE.

## 2. Touch keys

The buttons on the control panel are touch keys, which respond when lightly touched with the finger.

## 3. Description for control panel



- |                                  |                                     |
|----------------------------------|-------------------------------------|
| A Interior light button          | E Temperature adjust button:up      |
| B °C /°F conversion button       | F Temperature zone selection button |
| C Temperature adjust button:down | G Lock button                       |
| D Display                        | H Power button                      |

## 4. Automatically locking function

In the lock screen state, long press the lock key for 3S, the display screen displays 3, 2 and 1, the display screen is unlocked, and the lock icon is half lit; If there is no operation, the screen will be locked automatically after 30s. In the lock screen state, all the lock key icons are on, and the keys on the display screen cannot be operated (except the lighting key);

## 5. Power button function

When the screen is off, touch any key and the display will light up; Long press the power key, the display screen displays 5, 4, 3, 2 and 1, and the power of the whole machine is turned off. When the power is off, long press the power key to display 5, 4, 3, 2, 1. The power is on.





## 6. Temperature setting

### Notice


#### Presettings



- ▶ Once you have plugged the unit into an electrical outlet, let the unit for at least 30 minutes to acclimatize itself before making any adjustments.
- ▶ When the appliance is switched on after disconnection from the main power supply, it may take several hours for the correct temperatures to be reached. The exact time varies depending on the environment and the temperature setting.



Press the  or  button, the display will start to flash. Press the  or  button to set the desired temperature. The temperature setting range :5-20°C(41-68°F). Stop pressing the key for 3second, the temperature is confirmed.

### 7. Mode or Zone function

Press the  button, The temperature switch from sparkling (8°C or 47°F) to white (12°C or 54°F) and red (16°C or 61°F). (for HWS247GGU1)

In the unlocking state, the  icon is fully on. If the current display is in the upper temperature zone, the upper icon will turn on and the lower icon is off. At this time, press the  key, the lower icon will be on and the upper icon will be off. (for HWS236GDGU1)

### Recommended temperature settings

The following drinking temperatures are recommended for the different types of wine.

Red wine	+13°C to +20°C (+55°F to +68°F)	Sparkling wine Prosecco	+5°C to +8°C (+41°F to 47°F)
White wine	+9°C to +12°C (+48°F to +54°F)		

If you store wine for long periods of time, it should be stored at a temperature between +10°C and +12°C (50°F and +54°F).

### 8. Standby-mode

The display screen is dimmed automatically 30 seconds.

It lights up automatically when any key is touched or the door is opened.



### Notice Influences on temperatures



The temperature inside the appliance is influenced by the following factors:

- ▶ Ambient temperature
- ▶ Frequency of door opening
- ▶ Amount of stored bottles
- ▶ The location of the appliance

The default setting is 12°C

When display stops flashing, it goes back to showing the current temperature inside the wine cellar. It will take some time to reach the set temperature.

## 9. Lighting mode setting

Press the  button. When the lights in the cabinet are on, the lights will be lighted up gradually. When pressed the  button once again the lights will be off gradually.

## 10. °C/°F function

Press the  button, switch between Fahrenheit and Celsius.

## 11. Power-Off Memory function

If a power outage, the cellar will automatically save the set temperature. After power recovery, it will run based on the temperature set before the power outage.

## 12. Low temperature compensation function

The wine cellar has a low temperature compensation function to ensure the stability of the temperature: When the ambient temperature is lower than the set temperature, the wine cellar automatically starts the low temperature compensation function, heating the application. When the temperature in the application reaches the set temperature, the low temperature compensation function is automatically turned off.

## 13. Door opening alarm

If the door is kept open for over 1 min, buzzer will be beeping to give an alarm till the door is closed or any key on display panel can be operated and then the buzzer will stop beeping.

## 14. Wi-Fi mode setting

### CONNECTIVITY WIRELESS PARAMETERS

Technology	Wi-Fi	Bluetooth
Standard	IEEE 802.11 b/g/n	Bluetooth v4.2, BR/EDR, BLE
Frequency Band(s) [MHz]	2401÷2483	2402÷2480
Maximum power [mW]Band(s) [MHz]	100	10

### PRODUCT INFORMATION

How to activate Wi-Fi module:

Press the light button for 3 seconds to activate the Wi-Fi

- The Wi-Fi module is switched on the Wi-Fi icon starts to blink
- If the wine cellar is enrolled but the Wi-Fi is off the icon will blink
- If the wine cellar is enrolled and connected the Wi-Fi icon is always on
- To reset the Wi-Fi press the light for 3 seconds

### IN APP PAIRING PROCEDURE

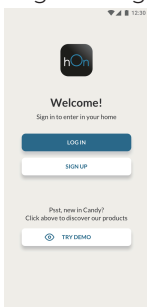
#### Step 1

- Download the hOn app on the stores



#### Step 2

- Log in or sign up



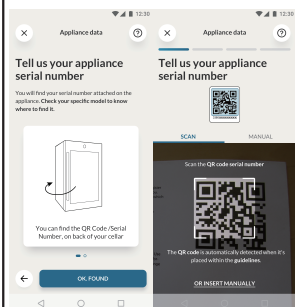
#### Step 3

- Add a new appliance selecting the wine cellar from the list



## Step 4

- Scan the QR or insert manually the serial number



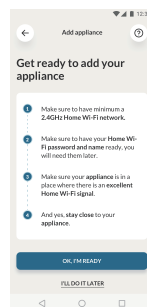
## Step 5

- Press the light button on the product for 3s to activate the Wi-Fi



## Step 6

- The wi-Fi icon will blink, the pairing process is in progress
- You will have 5 minutes to complete the pairing process
- When the process is completed the Wi-Fi icon will stop blinking and it will remain always on

**NOTE**



## Energy saving tips

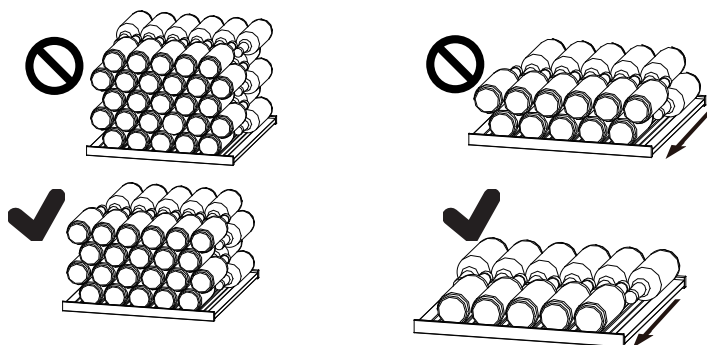
- ▶ Make sure the appliance is properly ventilated (see INSTALLATION).
- ▶ Do not install the appliance in direct sunlight or in the near of heat sources (e.g. stoves, heaters).
- ▶ Avoid unnecessarily low temperature in the appliance. The energy consumption increases the lower the temperature in the appliance is set.
- ▶ Open the appliance door as little and as briefly as possible.
- ▶ Do not exceed the designed amount of bottles to avoid obstructing the air flow.
- ▶ Keep door seals clean so that the door always closes correctly.
- ▶ The most energy-saving configuration requires drawer, food box and shelves to be positioned in the appliance on factory-fresh condition, and food to be placed without blocking the air outlet of the duct.

## 1. Shelf


1. The shelves are designed for easy storage and easy removal of the wine. They can be cleaned with a soft towel.
2. Regular bottles with diameter of 76mm can be stacked.
3. Magnum bottles can be stacked on the bottom shelf.
4. The quantity can vary from the depicted number or bottles if they are stacked in a different way.

### Advice for the layout of your wine cellar

We recommend that the number of wine bottles should not exceed four layers on each shelf, and the bearing capacity of the wine shelves should not exceed 60 kg. Before placing the bottles inside the wine cellar, confirm whether or not the wine shelves are completely stable. In addition, confirm whether or not any bottle protrudes from the shelves in order to prevent bottles hitting the glass door upon closing.



## 2. The light

The LED interior light comes on when the door is opened. To turn on the light while the door is closed, touch the  button. To turn the lights off, touch the button again. To increase the energy efficiency, the lights should be turned off when the wine cellar is not being viewed.

## 3. The lock

To lock the wine cellar, close the door and put the key in the lock:

- ▶ Lock the door by turning the key clockwise;
- ▶ Unlock the door by turning the key counterclockwise.

## 1. Defrosting

The defrosting of the wine cellar is done automatically; no manual operation is needed.

## 2. Replacing the LED lamp

The lamp uses LED as its light source, featuring low energy consumption and long service life. If there is any abnormality, please contact the customer service. See CUSTOMER SERVICE.



### WARNING!

Do not replace the LED lamp yourself. It must only be replaced by either the manufacturer or the authorised service agent.

### Parameters of LED lamp:

Voltage 12V

Max power: 18W

## 3. Non-use for a longer period

Unplug the power cord.

Clean the appliance and door gaskets as described above.

Keep the door open to prevent the creation of bad odours inside.

## 4. Moving the appliance

1. Remove all bottles and unplug the appliance.
2. Secure shelves and other moveable parts in the wine cellar with adhesive tape.
3. Do not tilt the wine cellar more than 45° to avoid damaging the refrigerating system.

## 5. Air exchange with activated carbon filter

The way in which wines continue to mature depends on the ambient conditions. The quality of the air is therefore decisive for preserving the wine. An activated carbon filter has been fitted in the lower area of the rear wall of the appliance to through put remains at an optimum quality.



### Notice

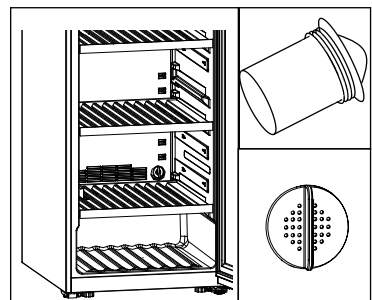
We recommend that you replace the filter once a year. Filters can be obtained from your dealer.

### Changing the filter:

Take the filter by the handle. Turn it to the left and remove.

### Inserting the filter:

Insert with the handle in a vertical position. Turn it to the right and insert.



Many occurring problems could be solved by yourself without specific expertise. In case of a problem please check all shown possibilities and follow below instructions before you contact an after sales service. See CUSTOMER SERVICE.

## WARNING!

- ▶ Before maintenance, deactivate the appliance and disconnect the mains plug from the mains socket.
- ▶ Electrical equipment should be serviced only by qualified electrical experts, because improper repairs can cause considerable consequential damages.
- ▶ A damaged supply should only be replaced by the manufacturer, its service agent or similarly qualified persons in order to avoid a hazard.

Error Code	Cause	Solution
L2	Low temperature alarm when the temperature of the control sensor is too low;	<ol style="list-style-type: none"> <li>1.Check the ambient temperature .</li> <li>2.Check the Compressor connector.</li> <li>3.Check the resistance of the temperature control sensor.</li> </ol>
H1	When the temperature of the control sensor is too high, the high temperature alarm will be displayed on the display screen;	<ol style="list-style-type: none"> <li>1.Check the connector of the control board or the display panel.</li> <li>2.Check the resistance and the voltage of the fan.</li> <li>3.Check the fan and the compressor connector.</li> </ol>

Problem	Possible Cause	Possible Solution
The compressor does not work.	<ul style="list-style-type: none"> <li>• Mains plug is not connected in the mains socket.</li> </ul>	<ul style="list-style-type: none"> <li>• Connect the mains plug.</li> </ul>
The appliance runs frequently or runs for a too long period of time.	<ul style="list-style-type: none"> <li>• The outdoor temperature is too high.</li> <li>• The appliance has been off power for a period of time.</li> <li>• A door of the appliance is not tightly closed.</li> <li>• The door has been opened too frequently or for too long.</li> <li>• The door gaskets are dirty, worn, cracked or mismatched.</li> <li>• The required air circulation is not guaranteed.</li> <li>• The temperature is set too low.</li> </ul>	<ul style="list-style-type: none"> <li>• In this case, it is normal for the appliance to run longer.</li> <li>• Normally, it takes a while for the appliance to cool down completely.</li> <li>• Close the door and ensure the appliance is located on a level ground and there is no food or container jarring the door.</li> <li>• Do not open the door too frequently.</li> <li>• Clean the door gasket or replace them by the customer service.</li> <li>• Ensure adequate ventilation.</li> <li>• The problem will resolved itself when the desired temperature has been reached.</li> </ul>
The inside of the wine cellar is dirty and/or smells..	<ul style="list-style-type: none"> <li>• The inside of the wine cellar needs cleaning.</li> </ul>	<ul style="list-style-type: none"> <li>• Clean the inside of the wine cellar.</li> </ul>
It is not cold enough inside the appliance.	<ul style="list-style-type: none"> <li>• The temperature is set too high.</li> <li>• Bottles have been added recently.</li> <li>• A door of the appliance is not tightly closed.</li> <li>• The door has been opened too frequently or for too long.</li> <li>• The door gaskets are dirty, worn, cracked or mismatched.</li> </ul>	<ul style="list-style-type: none"> <li>• Reset the temperature.</li> <li>• Allow time for recently added bottles to reach desired temperature.</li> <li>• Close the door.</li> <li>• Do not open the door too frequently.</li> <li>• Clean the doorgasket or replace them by the customer service..</li> </ul>
It is too cold inside the appliance.	<ul style="list-style-type: none"> <li>• The temperature is set too low.</li> </ul>	<ul style="list-style-type: none"> <li>• Reset the temperature.</li> </ul>
Moisture formation on the inside of the refrigerator compartment.	<ul style="list-style-type: none"> <li>• The climate is too warm and too-damp.</li> <li>• A door of the appliance is not tightly closed.</li> <li>• The door has been opened too frequently or for too long..</li> </ul>	<ul style="list-style-type: none"> <li>• Increase the temperature.</li> <li>• Close the door.</li> <li>• Do not open the door/drawer too frequently.</li> </ul>

Problem	Possible Cause	Possible Solution
Moisture accumulates on the wine cellar's outside surface.	<ul style="list-style-type: none"> <li>The climate is too warm and too damp</li> <li>The door is not closed tightly. The cold air in the appliance and the warm air outside it condensates.</li> </ul>	<ul style="list-style-type: none"> <li>This is normal in damp climate and will change when the humidity decreases.</li> <li>Ensure that the door is shut tightly and that the gaskets seal properly.</li> </ul>
The appliance makes abnormal sounds	<ul style="list-style-type: none"> <li>The appliance is not located on level ground.</li> <li>The appliance touches some object around it.</li> </ul>	<ul style="list-style-type: none"> <li>Adjust the feet to level the appliance.</li> <li>Remove objects around the appliance.</li> </ul>
A slight sound is to be heard similar water.	<ul style="list-style-type: none"> <li>This is normal</li> </ul>	<ul style="list-style-type: none"> <li>-</li> </ul>
The interior lighting or cooling system does not work.	<ul style="list-style-type: none"> <li>Mains plug is not connected to the mains socket.</li> <li>The power supply is not intact.</li> <li>The LED-lamp is out of order.</li> </ul>	<ul style="list-style-type: none"> <li>Connect the mains plug.</li> <li>Check the electrical supply to the room. Call the local electricity company.</li> <li>Please call the service for changing</li> </ul>
The sides of the cooler and door strip get warm	<ul style="list-style-type: none"> <li>This is normal.</li> </ul>	<ul style="list-style-type: none"> <li>-</li> </ul>
The door does not shut properly	<ul style="list-style-type: none"> <li>The appliance is not level.</li> <li>The door is blocked.</li> </ul>	<ul style="list-style-type: none"> <li>Level the appliance with the leveling feet.</li> <li>Check for blockages like bottles or shelves.</li> </ul>

To contact the technical assistance, visit our website:

<https://corporate.haier-europe.com/en/>

Under the section "website", choose the brand of your product and your country. You will be redirected to the specific website where you can find the telephone number and form to contact the technical assistance.

Product fiche according to regulation EU No. 2019/2016

Brand	Haier	Haier
Model name / identifier	HWS247GGU1	HWS236GDGU1
Category	Wine Cellar	Wine Cellar
Energy efficiency class	G	G
Annual energy consumption (kWh/annum) <sup>1)</sup>	184	184
Storage volume (L)	450	448
Climate class: This appliance is intended to be used at an ambient temperature between 10 °C and 38 °C.	SN NST	SN NST
Airborne acoustical noise emissions (db(A) re 1pW)	C(37)	C(37)
Type of appliance	Freestanding	Freestanding
This appliance is intended to be used exclusively for the storage of wine.	Yes	Yes
Dimensions (W/D/H in mm)	597/714/1900	597/714/1900

Explanations:

1)based on standard test results for 24 hours.The actual power consumption depends on the actual environment, the amount of bottling, the set temperature, the door opening and closing, etc.


2)The nominal power consumption is the value obtained according to the standard test when the wine cabinet does not turn on the internal light.

- extended temperate: 'this refrigerating appliance is intended to be used at ambient temperatures ranging from 10 °C to 32 °C';

- temperate: 'this refrigerating appliance is intended to be used at ambient temperatures ranging from 16 °C to 32 °C';

- subtropical: 'this refrigerating appliance is intended to be used at ambient temperatures ranging from 16 °C to 38 °C';

- tropical: 'this refrigerating appliance is intended to be used at ambient temperatures ranging from 16 °C to 43 °C';

**Standards and directives** 

This product meets the requirements of all applicable EC directives with the corresponding harmonised standards, which provide for CE marking.

We recommend our Haier Customer Service and the use of original spare parts.  
If you have a problem with your appliance, please first check section TROUBLESHOOTING.  
If you cannot find a solution there, please contact

- ▶ your local dealer or
- ▶ the Service & Support area at [www.haier.com](http://www.haier.com) where you can find telephone numbers and FAQs and where you can activate the service claim.

To contact our Service, ensure that you have the following data available.

The information can be found on the rating plate.

Model \_\_\_\_\_ Serial No. \_\_\_\_\_

Also check the Warranty Card supplied with the product in case of warranty.

For general business enquiries please find our addresses in Europe below:

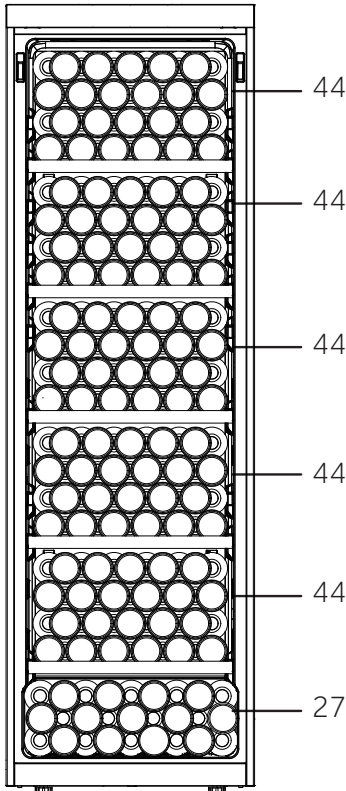
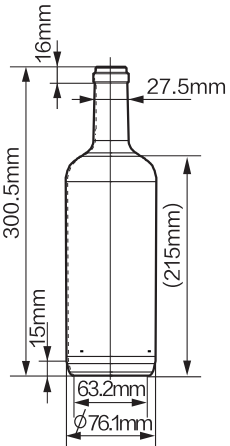
### European Haier addresses

Country*	Postal address	Country	Postal address
<b>Italy</b>	Haier Europe Trading SRL Via De Cristoforis, 12 21100 Verese ITALY	<b>France</b>	Haier Europe Trading SRL Via De Cristoforis, 12 21100 Verese ITALY
<b>Spain</b>	Haier Iberia SL Pg. Garcia Faria, 49-51 08019 Barcelona SPAIN	<b>Belgium-FR</b>	Haier Benelux SA Anderlecht Route de Lennik 451 BELGIUM
<b>Portugal</b>		<b>Belgium-NL</b>	
		<b>Netherlands</b>	
<b>Germany</b>	Haier Deutschland GmbH Hewlett-Packard-Str. 4 D-61352 Bad Homburg GERMANY	<b>Luxembourg</b>	
<b>Austria</b>		<b>Poland</b>	Haier Poland Sp. zo.o. Al. Jerozolimskie 181B 02-222 Warszawa POLAND
<b>United Kingdom</b>	Haier Appliances UK Co. Ltd. One Crown Square Church Street East Woking, Surrey, GU21 6HR UK	<b>Czechia</b>	
		<b>Hungary</b>	
		<b>Greece</b>	
		<b>Romania</b>	
		<b>Russia</b>	

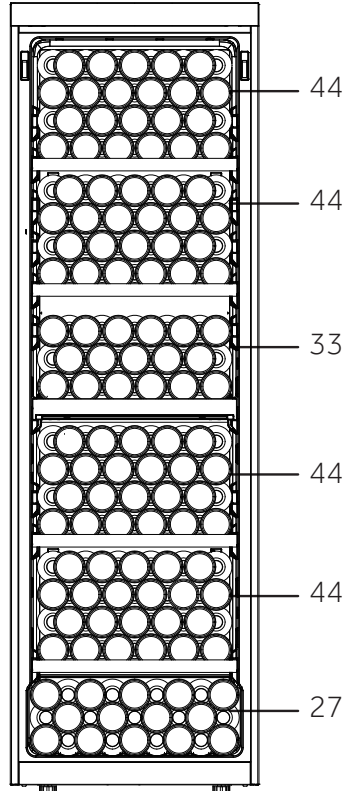
**AVAILABILITY OF SPARE PARTS:** Thermostats, temperature sensors, printed circuit boards and light sources are available for a minimum period of seven years after placing the last unit of the model on the market. Door handles, door hinges, trays and baskets for a minimum period of seven years and door gaskets for a minimum period of 10 year, after placing the last unit of the model on the market

**Minimum guarantee is:** 2 years for EU Countries, 3 years for Turkey, 1 year for UK, 1 year for Russia, 3 years for Sweden, 2 years for Serbia, 5 years for Norway, 1 year for Morocco, 6 months for Algeria, Tunisia no legal warranty required.

**For further information about the product, please consult <https://eprel.ec.europa.eu/> or scan the QR on the energy label supplied with the appliance.**



HWS247GGU1



HWS236GDGU1







Haier

# Benutzerhandbuch

Weinkeller

HWS247GGU1  
HWS236GDGU1

DE

**Haier**

## Vielen Dank für den Kauf eines Haier-Produkts.

Bitte lesen Sie diese Anweisungen sorgfältig durch, bevor Sie dieses Gerät benutzen. Die Anleitung enthält wichtige Informationen, die Ihnen helfen, das Gerät optimal zu nutzen und eine sichere und ordnungsgemäße Installation, Verwendung und Wartung zu gewährleisten.

Bewahren Sie diese Anleitung an einem geeigneten Ort auf, damit Sie jederzeit für die sichere und ordnungsgemäße Verwendung des Geräts darauf zurückgreifen können.

Wenn Sie das Gerät verkaufen, weggeben oder bei einem Umzug zurücklassen, vergewissern Sie sich, dass diese Anleitung auch beigelegt wird, damit sich der neue Besitzer mit dem Gerät und den Sicherheitshinweisen vertraut machen kann.



### Legende

**Warnung - Wichtige Sicherheitsinformationen**



Allgemeine Informationen und Tipps



Umweltinformationen



### Entsorgung

Tragen Sie zum Schutz der Umwelt und der menschlichen Gesundheit bei. Die Verpackung zum Recyceln in die entsprechenden Behälter entsorgen. Unterstützen Sie das Recycling von Elektro- und Elektronik-Altgeräten. Entsorgen Sie Geräte, die mit diesem Symbol gekennzeichnet sind, nicht mit dem Hausmüll. Geben Sie das Produkt an Ihre lokale Recyclinganlage zurück oder wenden Sie sich an Ihre Stadtverwaltung.



## WARNUNG!

### Verletzungs- oder Erstickungsgefahr!

Kältemittel und Gase müssen fachgerecht entsorgt werden. Überprüfen Sie, dass der Schlauch des Kühlkreislaufs nicht beschädigt wird, bevor er ordnungsgemäß entsorgt wird. Trennen Sie das Gerät von der Stromversorgung. Trennen Sie das Netzkabel und entsorgen Sie es. Entfernen Sie die Bleche und Schubladen sowie die Türöffnung und Dichtungen, um zu verhindern, dass Kinder und Haustiere im Gerät eingeschlossen werden.

Altgeräte haben noch einen gewissen Restwert. Eine umweltfreundliche Entsorgungsmethode gewährleistet, dass wertvolle Rohstoffe wieder verwertet und wiederverwendet werden können.

Cyclopentan ist eine entzündliche für Ozon nicht schädliche Substanz, die als Treibmittel im Isolierschaum verwendet wird.

Indem Sie sicherstellen, dass dieses Produkt ordnungsgemäß entsorgt wird, tragen Sie dazu bei, mögliche negative Folgen für die Umwelt und die menschliche Gesundheit zu vermeiden, die andernfalls verursacht werden könnten.

Für weitere Informationen über das Recycling dieses Produkts wenden Sie sich bitte an Ihre örtlich zuständige Behörde, Ihr Müllabfuhrunternehmen oder an das Geschäft, in dem Sie das Produkt erworben haben und das von Fachleuten geführt wird.

1-Sicherheitsinformationen.....	4
2-Sicherheitshinweise .....	7
3-Wartung .....	11
4-Zubehör .....	13
5-Produktbeschreibung.....	14
6-Installation .....	15
7-Nutzung .....	19
8-Energiespartipps.....	24
9-Ausrüstung.....	25
10-Pflege und Reinigung.....	26
11-Fehlerbehebung .....	27
12-Technische Daten.....	30
13-Kundenservice .....	31
14-Stapeln von Weinflaschen.....	32

Dieses Gerät ist ausschließlich für die Weinlagerung bestimmt. Lesen Sie vor dem ersten Einschalten des Geräts folgende Sicherheitshinweise:



## WARNUNG!

### Vor der ersten Inbetriebnahme

- ▶ Vergewissern Sie sich, dass keine Transportschäden vorliegen.
- ▶ Entfernen Sie sämtliches Verpackungsmaterial und bewahren Sie es außerhalb der Reichweite von Kindern auf und entsorgen Sie es umweltfreundlich.
- ▶ Warten Sie vor dem Einschalten des Geräts mindestens eine halbe Stunde, damit der Kühlkreislauf auch sicher und effektiv arbeitet.
- ▶ Das Gerät immer mit mindestens zwei Personen transportieren, da es schwer ist.

### Installation

- ▶ Das Gerät sollte an einem gut belüfteten Ort aufgestellt werden. Idealerweise müssen mindestens 50 mm rund um das Gerät frei bleiben.
- ▶ **WARNUNG:** Lüftungsschlitze am Gehäuse des Geräts oder in der Einbauöffnung freihalten.
- ▶ Stellen Sie das Gerät niemals in einem feuchten Bereich oder an einem Ort auf, wo es mit Wasser nassgespritzt werden könnte. Reinigen Sie Wasserspritzer und Flecken mit einem weichen, sauberen Tuch.
- ▶ Installieren Sie Ihren Weinklimaschrank nicht an Orten, die nicht richtig isoliert oder erwärmt sind, wie z. B. Garagen usw. Ihr Weinklimaschrank wurde nicht für den Betrieb bei Raumtemperatur unter 10 °C ausgelegt.
- ▶ Stellen Sie das Gerät nicht in direktem Sonnenlicht oder in der Nähe von Hitzequellen (z. B. Herden, Heizungen) auf.
- ▶ Installieren und richten Sie das Gerät in einem Bereich ein, der für seine Größe und Verwendung geeignet ist.
- ▶ Stellen Sie sicher, dass die elektrischen Informationen auf dem Typenschild der Stromversorgung entsprechen. Ist dies nicht der Fall, wenden Sie sich an einen Elektriker.
- ▶ Das Gerät wird über eine 220-240 V Wechselspannung/50 Hz betrieben. Unnormale Spannungsschwankungen könnten dazu führen, dass das Gerät nicht angeht, der Temperaturregler oder Kompressor beschädigt wird, oder dass während des Betriebs ein unnormales Geräusch auftritt. In einem solchen Fall ist ein automatischer Regler anzubringen.
- ▶ Verwenden Sie keine Mehrfachsteckadapter und Verlängerungskabel.

**WARNUNG!**

- ▶ **WARNUNG:** Keine Mehrfachsteckdosen oder Verlängerungen hinter dem Gerät platzieren.
- ▶ **WARNUNG:** Beim Aufstellen des Geräts darauf achten, dass das Stromkabel nicht eingeklemmt oder beschädigt wird.
- ▶ Nicht auf das Netzkabel treten
- ▶ Verwenden Sie eine separate, geerdete Steckdose für eine leicht zugängliche Stromversorgung. Das Gerät muss geerdet werden.
- ▶ **Nur für Großbritannien:** Das Gerätenetzkabel ist mit einem 3-adrigen Stecker (Erdungsstecker) ausgestattet, der in eine 3-adrige Norm-Buchse (geerdet) passt. Den dritten Stift (Erdung) auf keinen Fall kappen oder entfernen. Das Gerät muss so installiert werden, dass der Stecker erreichbar ist.
- ▶ **WARNUNG:** Den Kühlkreislauf nicht beschädigen.

**Täglicher Gebrauch**

- ▶ Dieses Gerät kann von Kindern ab 8 Jahren und Personen mit eingeschränkten körperlichen, sensorischen oder geistigen Fähigkeiten oder mangelnder Erfahrung und mangelndem Wissen benutzt werden, wenn diese in die sichere Bedienung des Geräts eingewiesen wurden oder beaufsichtigt werden und die damit verbundenen Gefahren verstanden haben.
- ▶ Kinder dürfen nicht mit dem Gerät spielen.
- ▶ Kinder im Alter von 3 bis 8 Jahren dürfen Kühlgeräte be- und entladen, aber die Kühlgeräte nicht reinigen und installieren.
- ▶ Kinder unter 3 Jahren vom Gerät fernhalten, es sei denn, sie werden ständig beaufsichtigt.
- ▶ Kinder dürfen Reinigungs- und Pflegeaufgaben nur unter Aufsicht ausführen.
- ▶ Das Gerät sollte so positioniert sein, dass der Stecker frei zugänglich ist.
- ▶ Wenn Kohlegas oder ein anderes brennbares Gas in die Nähe des Geräts gelangt, schalten Sie das Ventil des auslaufenden Gases ab, öffnen Sie die Türen und Fenster und ziehen Sie nicht den Gerätenetzstecker.
- ▶ Warten Sie nach dem Ausschalten mindestens 7 Minuten, bevor Sie den Netzstecker wieder einstecken.
- ▶ Heben Sie das Gerät nicht an seinen Türgriffen an.
- ▶ Die Schlüssel müssen außerhalb der Reichweite von Kindern und nicht in der Nähe des Geräts aufbewahrt werden, um zu verhindern, dass Kinder im Inneren des Geräts verriegelt werden.



## WARNUNG!

- ▶ Beachten Sie, dass das Gerät für den Betrieb im spezifischen Umgebungstemperaturbereich zwischen 10 und 38°C eingestellt ist. Das Gerät kann nicht richtig funktionieren, wenn es längere Zeit bei einer Temperatur über oder unter dem angegebenen Bereich verbleibt.
- ▶ Stellen Sie keine instabilen Gegenstände (schwere Gegenstände, mit Wasser gefüllte Behälter) auf das Gerät, um Verletzungen durch Herunterfallen oder elektrische Schläge durch Kontakt mit Wasser zu vermeiden.
- ▶ Die Tür nur mit den Griffen öffnen und schließen. Der Spalt zwischen Tür und Schrank ist sehr schmal. Stecken Sie nicht Ihre Hände in diese Bereiche, um zu vermeiden, dass Sie Ihre Finger eingeklemmt werden. Die Gerätetüren nur dann öffnen oder schließen, wenn keine Kinder im Bewegungsbereich der Tür stehen.
- ▶ Keine brennbaren, explosionsfähigen oder korrosiven Substanzen im Gerät oder in der Nähe verwenden.
- ▶ Keine explosiven Substanzen mit entzündlichen Treibgasen, wie Sprühdosen, in diesem Gerät lagern.
- ▶ Keine Arzneimittel, Bakterien oder Chemikalien im Gerät lagern. Dieses Gerät ist ein Haushaltsgerät. Es wird davon abgeraten, Materialien zu lagern, die extreme Temperaturen erfordern.
- ▶ Keine unnötig niedrigen Temperaturen im Weinklimaschrank einstellen. Bei hohen Einstellungen kann es zu Mindertemperaturen kommen. Achtung: Flaschen können platzen
- ▶ Berühren Sie nicht die Innenfläche des Geräteraums, insbesondere nicht mit nassen Händen, da die Finger an der Oberfläche festfrieren könnten.
- ▶ Um eine ordnungsgemäße Weinkühlung zu gewährleisten, darf das Gerät nicht überladen werden.
- ▶ Ziehen Sie den Gerätestecker aus der Steckdose, falls die Stromversorgung unterbrochen wird oder bevor Sie das Gerät reinigen. Warten Sie vor dem Neustart mindestens 7 Minuten, da durch häufiges Einschalten der Kompressor beschädigt werden kann.
- ▶ **WARNUNG:** Verwenden Sie keine elektrischen Geräte im Innern des Geräts, es sei denn, der Typ wurde vom Hersteller empfohlen. Um Gefahren zu vermeiden, muss ein beschädigtes Netzkabel vom Kundenservice ausgetauscht werden (siehe Garantiekarte).
- ▶ Um die Lebensdauer des Geräts zu verlängern, sollten Sie es nicht ausschalten.
- ▶ Stellen Sie das Gerät niemals waagrecht auf den Boden. Wenn das Gerät um mehr als 45° gekippt wurde, warten Sie 24 Stunden, bevor Sie es anschließen.

**WARNUNG!****Wartung / Reinigung**

- ▶ Kinder müssen beaufsichtigt werden, wenn sie das Gerät reinigen und warten.
- ▶ Trennen Sie das Gerät von der Stromversorgung, bevor Sie eine routinemäßige Wartung durchführen. Warten Sie vor dem Neustart mindestens 7 Minuten, da durch häufiges Einschalten der Kompressor beschädigt werden kann.
- ▶ Fassen Sie beim Herausziehen des Gerätesteckers aus der Steckdose, den Stecker und nicht das Kabel an.
- ▶ Reinigen Sie das Gerät nicht mit harten Bürsten, Drahtbürsten, Reinigungspulver, Benzin, Amylacetat, Aceton und ähnlichen organischen Lösungen, Säure oder Alkalilösungen. Bitte reinigen Sie das Gerät mit einem speziellen Reinigungsmittel für Kühl-/Gefriergeräte, um Beschädigungen zu vermeiden. Verwenden Sie ggf. warmes Wasser und eine Natronlösung - etwa einen Esslöffel Backnatron auf einen Liter/Winkel Wasser. Gründlich mit Wasser abspülen und trocken reiben. Verwenden Sie keine Reinigungspulver oder anderen Scheuermittel. Waschen Sie herausnehmbare Teile nicht in der Geschirrspülmaschine.
- ▶ **WARNUNG:** Keine mechanischen oder sonstigen Hilfsmittel verwenden, um den Abtauvorgang zu beschleunigen, es sei denn, dies ist vom Hersteller so empfohlen.
- ▶ Wenn das Stromkabel beschädigt ist, muss es vom Hersteller oder von seinem Service-Mitarbeiter, oder einer gleichwertig qualifizierten Person ausgetauscht werden, um jegliches Risiko zu vermeiden.
- ▶ Versuchen Sie nicht, das Gerät selbst zu reparieren, zu zerlegen oder zu verändern. Bei Reparaturen wenden Sie sich bitte an unseren Kundenservice.
- ▶ Wenn die Lampen beschädigt sind, müssen sie vom Hersteller, von seinem Service-Mitarbeiter, oder einer gleichwertig qualifizierten Person ausgetauscht werden, um jegliches Risiko zu vermeiden.
- ▶ Entfernen Sie den Staub auf der Geräterückseite mindestens einmal im Jahr, um Brandgefahr und einen erhöhten Energieverbrauch zu vermeiden.

- ▶ Das Gerät während der Reinigung nicht besprühen oder mit Wasser beschütten.
- ▶ Das Gerät nicht mit Wasser besprühen oder mit Dampf reinigen.
- ▶ Die kalte Glastür nicht mit heißem Wasser reinigen. Plötzliche Temperaturschwankungen können dazu führen, dass das Glas zerspringt.
- ▶ Wenn Sie das Gerät längere Zeit nicht benutzen, lassen Sie es offen, um zu verhindern, dass sich unangenehme Gerüche im Inneren bilden.

## Angaben zu Kältemittelgasen



### **WARNUNG!**

Das Gerät enthält das entzündliche Kältemittel ISOBUTAN (R600a). Stellen Sie sicher, dass der Kühlkreislauf während des Transports oder der Installation nicht beschädigt wird. Auslaufendes Kältemittel kann Augenverletzungen verursachen oder sich entzünden. Falls Schäden aufgetreten sind, halten Sie sich von offenen Brandquellen fern, lüften Sie den Raum gründlich, stecken Sie die Netzkabel des Geräts oder eines anderen Geräts nicht ein oder aus. Informieren Sie den Kundendienst.

Falls die Augen mit dem Kältemittel in Kontakt kommen, sofort unter fließendem Wasser ausspülen und den Augenarzt verständigen.

**WARNUNG:** Das Kühlsystem steht unter hohem Druck. Nicht daran manipulieren. Da entzündliche Kältemittel verwendet werden, bitte das Gerät entsprechend der Anweisung installieren, handhaben und warten. Wenden Sie sich an den Fachtechniker oder unseren Kundenservice, um das Gerät zu entsorgen.

### Bestimmungsgemäße Verwendung

Dieses Gerät ist ausschließlich für den Hausgebrauch und vergleichbare Verwendungen bestimmt.

- Personalküchen in Geschäften, Büros und anderen Arbeitsumgebungen,
  - in landwirtschaftlichen Betrieben, für die Nutzung durch Gäste von Hotels, Pensionen und ähnlichen Unterkünften,
  - Bed & Breakfast (B&B),
  - Catering-Dienste und ähnliche, nicht kommerzielle Zwecke.
- Um eine sichere Konservierung des Weins zu gewährleisten, halten Sie sich bitte an diese Gebrauchsanweisung.
- Einzelheiten über die Gerätebereiche, die je nach Temperaturverteilung in den verschiedenen Fächern am besten für die Lagerung bestimmter Lebensmittel geeignet sind, finden Sie im anderen Teil der Anleitung.

Änderungen oder Anpassungen am Gerät sind nicht erlaubt. Eine unsachgemäße Verwendung kann zu Gefahren und zum Verlust von Garantieansprüchen führen.

## Entsorgung



Das  Symbol auf dem Produkt oder auf der Verpackung weist darauf hin, dass es nicht als Hausmüll entsorgt werden darf. Stattdessen sollte es an die zuständige Sammelstelle für das Recycling von Elektro- und Elektronik-Altgeräten übergeben werden. Bitte stellen Sie sicher, dass das Produkt nach seiner Außerbetriebnahme ordnungsgemäß entsorgt wird. Damit tragen Sie dazu bei, gesundheits- und umweltschädigende Auswirkungen zu verhindern, die eine nicht korrekte Entsorgung am Ende der Nutzungsdauer zur Folge haben könnte. Für weitere Informationen über das Recycling dieses Produkts wenden Sie sich bitte an Ihre örtlich zuständige Behörde, Ihr Müllabfuhrunternehmen oder an das Geschäft, in dem Sie das Produkt erworben haben.

Da brennbare Isolationsblasgase verwendet werden, wenden Sie sich bitte an den Fachtechniker oder unseren Kundendienst, um das Gerät zu entsorgen.

## WARNUNG!

### Erstickungsgefahr!

Kältemittel und Gase müssen fachgerecht entsorgt werden. Überprüfen Sie, dass der Schlauch des Kühlkreislaufs nicht beschädigt wird, bevor es ordnungsgemäß entsorgt wird. Trennen Sie das Gerät von der Stromversorgung. Trennen Sie das Netzkabel und entsorgen Sie es. Entfernen Sie die Bleche und Schubladen sowie die Türöffnung und Dichtungen, um zu verhindern, dass Kinder und Haustiere im Gerät eingeschlossen werden.

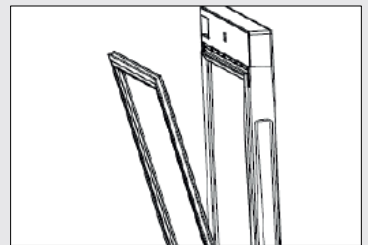
- ▶ **WARNUNG:** Trennen Sie das Gerät vor der Reinigung von der Stromversorgung.
- ▶ Reinigen Sie das Gerät nicht mit harten Bürsten, Drahtbürsten, Reinigungspulver, Acetat, Aceton und ähnlichen organischen Lösungen, Säure oder Alkalilösungen. Bitte reinigen Sie das Gerät mit einem speziellen Reinigungsmittel für Kühlgeräte, um Beschädigungen zu vermeiden.
- ▶ Reinigen Sie das Gerät, wenn nur wenig oder kein Wein gelagert wird. Das Gerät muss nur dann gereinigt werden, wenn es schmutzig ist.
- ▶ Reinigen Sie das Innere und das Gehäuse des Gerätes mit einem Schwamm, der mit warmem Wasser und einem neutralen Reinigungsmittel angefeuchtet wurde.
- ▶ Mit sauberem, warmen Wasser abspülen und mit einem weichen Tuch trocknen.
- ▶ Reinigen Sie Geräteteile nicht in einer Geschirrspülmaschine.
- ▶ Warten Sie vor dem Neustart mindestens 7 Minuten, da durch häufiges Einschalten der Kompressor beschädigt werden kann.



### Reinigen Sie die Türdichtung:

- ▶ Die Türdichtungen sollten alle 3 Monate gereinigt werden, um eine ordnungsgemäße Abdichtung zu gewährleisten. Wie unten: Entfernen: Fassen Sie die Türdichtung und ziehen Sie sie entsprechend der Pfeilrichtung heraus, um die gesamte Türdichtung der Reihe nach zu entfernen.

Tauchen Sie die Bürste in Wasser oder lebensmittelechtem Alkohol ein und reinigen Sie zuerst die Türdichtungsnut, indem Sie die Bürste hin- und herziehen. Wischen Sie dann die Türdichtung mit einem Tuch ab, das mit Wasser oder Alkohol in Lebensmittelqualität getränkt wurde. Reinigen Sie die Türdichtung und reiben Sie sie mit einem sauberen Tuch trocken.



## **Montage der Türdichtung nach der Reinigung:**

Vergewissern Sie sich, dass sich vor der Installation kein Wasser auf der Türdichtung befindet. Setzen Sie die Türdichtung in die Nut ein und drücken Sie die Türdichtung von oben nach unten fest an, bis die gesamte Türdichtung in die Nut eingeführt ist.

## **Reinigen der Einlegeböden:**

- ▶ Alle Einlegeböden können zur Reinigung herausgenommen werden.
- ▶ Alle Flaschen herausnehmen.
- ▶ Heben Sie jeden Einlegeboden ein wenig an und nehmen Sie ihn heraus.
- ▶ Reinigen Sie den Einlegeboden mit einem weichen Tuch.
- ▶ Warten Sie, bis die Einlegeböden trocken sind, bevor Sie sie wieder einsetzen.

## **WARNUNG:**

Warten Sie nach dem Ausschalten mindestens 7 Minuten, bevor Sie den Netzstecker wieder einstecken.

Überprüfen Sie Zubehör und Dokumentation gemäß dieser Liste:  
ohne Isolation.

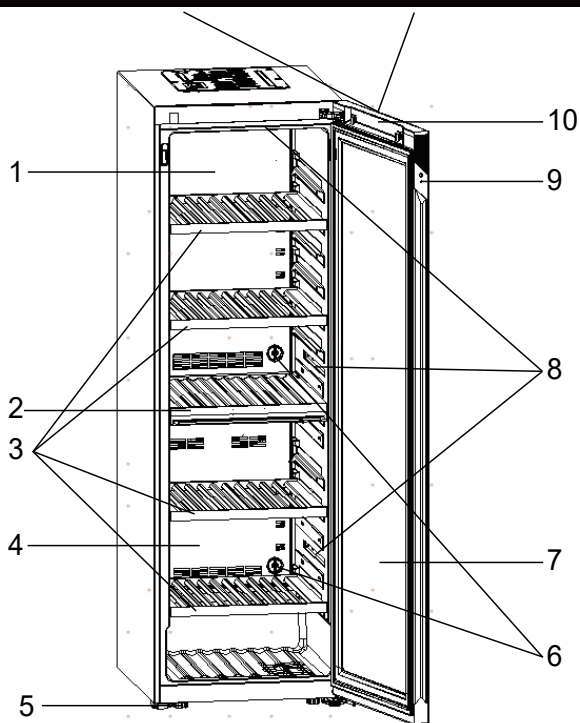
Name	Nutzer Handbuch	Service karte	Regal	Scharnier Abdeckung	Energie Kennzeich- nung	Taste
HWS247GGU1	1	1	5	1	1	2
HWS236GDGU1	1	1	4	1	1	2



## Hinweis

Aufgrund von technischen Änderungen und unterschiedlichen Modellen können einige der Abbildungen in dieser Anleitung von Ihrem Modell abweichen.

### Geräteabbildung



(HWS236GDGU1)

- |                           |              |
|---------------------------|--------------|
| 1. Obere Luftkanalblende  | 6. Tür       |
| 2. Einlegeboden           | 7. LED-Lampe |
| 3. Untere Luftkanalblende | 8. Sperren   |
| 4. Verstellbare Füße      | 9. Anzeige   |
| 5. Aktivkohlefilter       |              |

## 1. Auspacken

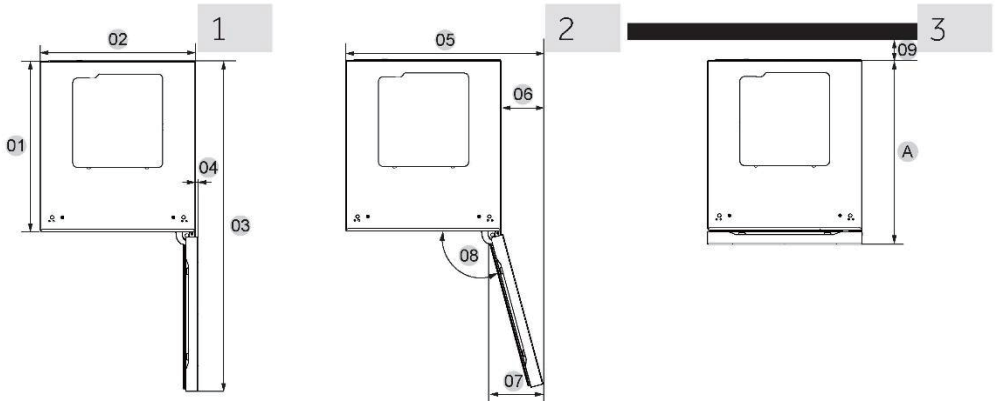
- ▶ Nehmen Sie das Gerät aus der Verpackung.
- ▶ Entfernen Sie alle Verpackungsmaterialien, einschließlich des Schaumstoffbodens und des Klebbandes, auf dem das Zubehör befestigt ist.

## 2. Umgebungsbedingungen

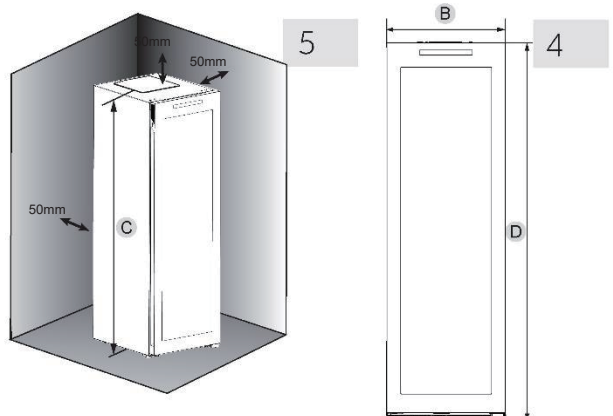
Die Raumtemperatur sollte immer zwischen 10 °C und 38 °C liegen, da sie die Temperatur im Inneren des Geräts und dessen Energieverbrauch beeinflussen kann. Das Gerät nicht in der Nähe anderer wärmeemittierender Geräte (Ofen, Kühlschränke) installieren.

## 3. Platzbedarf

Erforderlicher Platz zum Öffnen der Tür (Abb. 1,2,3,4). Aus Sicherheits- und Energiegründen ist der erforderliche Lüftungsabstand von 50 mm in alle Richtungen einzuhalten (Abb. 5).



Measurement: mm	HWS247GGU1	HWS236GDGU1
Depth A	714	714
Width B	597	597
Height C	1905	1905
Overall Height D	1900	1900
01	654	654
02	595	595
03	1273	1273
04	11	11
05	756	756
06	161	161
07	200	200
08	105°	105°
09	50	50





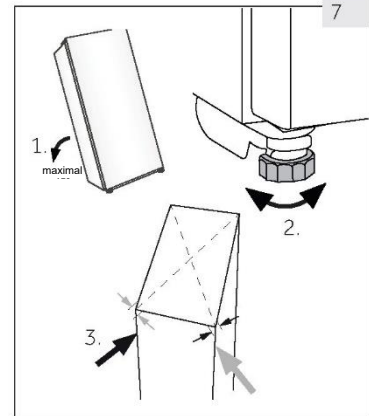
## WARNUNG!

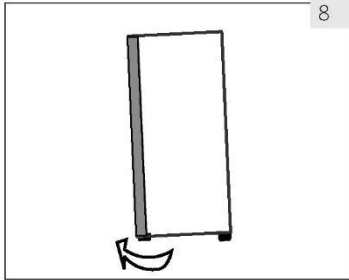
- ▶ Lüftungsschlitze am Gerät oder in der Einbaustruktur freihalten. Dieses Kühlgerät ist nicht zur Verwendung als Einbaugerät bestimmt

## 5. Geräteausrichtung

Das Gerät sollte auf einer flachen und festen Oberfläche aufgestellt werden.

1. Das Gerät leicht nach hinten neigen (Abb. 7).
2. Stellen Sie die verstellbaren Vorderfüße durch Drehen auf die gewünschte Höhe ein.
3. Die Stabilität kann durch abwechselndes Anschlagen gegen die Diagonalen überprüft werden. Das leichte Schwanken sollte in beide Richtungen gleich sein. Andernfalls kann sich der Rahmen verziehen; mögliche undichte Türdichtungen sind die Folge. Eine geringe Neigung nach hinten erleichtert das Schließen der Tür.





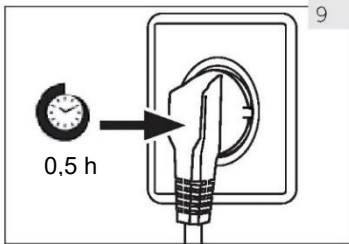
8

## 6. Feinabstimmung der Tür

Das Gerät schließt sich leichter, wenn die Nivellierfüße an der Vorderseite verwendet werden:

Drehen Sie die verstellbaren Füße (Abb. 8), um sie nach oben oder unten zu verstellen:

- ▶ Durch Drehen der Füße im Uhrzeigersinn wird das Gerät angehoben.
- ▶ Durch Drehen der Füße gegen den Uhrzeigersinn wird das Gerät abgesenkt.



9

## 7. Wartezeit

Das wartungsfreie Schmieröl befindet sich in der Kapsel des Kompressors. Dieses Öl kann beim Transport durch das geschlossene Rohrsystem gelangen, wenn das Gerät gekippt wird. Warten Sie 0,5 Stunden, bevor Sie das Gerät an die Stromversorgung anschließen, (Abb. 9), damit das Öl wieder in die Kapsel zurückfließt.

## 8. Elektrischer Anschluss

Überprüfen Sie vor jeder Verbindung, dass:

- ▶ die Stromversorgung, Steckdose und Sicherung den Angaben auf dem Typenschild entsprechen.
- ▶ die Steckdose geerdet ist und kein Mehrfachstecker oder Verlängerungskabel vorhanden ist.
- ▶ Netzstecker und Steckdose richtig zusammenpassen.

Schließen Sie den Stecker an eine ordnungsgemäß installierte Haushaltssteckdose an.



### WARNUNG!

Um Gefahren zu vermeiden, muss ein beschädigtes Netzkabel vom Kundenservice ausgetauscht werden (siehe Garantiekarte).

## 9. Reversibilität der Tür

Bevor Sie das Gerät an die Stromversorgung anschließen, sollten Sie prüfen, ob der Türanschlag von rechts (nach der Lieferung) nach links gewechselt werden muss, wenn der Installationsort und die Nutzbarkeit dies erfordern.



### WARNUNG!

- ▶ Das Gerät ist schwer. Sie benötigen zwei Personen, um die Reversibilität der Tür auszuführen.
- ▶ Vor dem Eingriff müssen Sie zuerst den Gerätestecker aus der Steckdose ziehen.
- ▶ Das Gerät nicht um mehr als 45 ° kippen, um Schäden am Kühlsystem zu vermeiden.

## Montageschritte

1. Das notwendige Werkzeug bereitstellen.
2. Ziehen Sie den Netzstecker des Gerätes.
3. Entfernen Sie die obere Abdeckungsleiste und die kleine Abdeckung, und versetzen Sie die kleine Abdeckung auf die andere Türseite.
4. Entfernen Sie Abdeckung der Verkabelung und die Blende, und versetzen Sie die Zierblende auf die andere Türseite. Entfernen Sie den schwarzen Gummistopfen aus dem linken Schlüsselloch an der Innenseite des Türkörpers und installieren Sie ihn am rechten Schlüsselloch.
5. Entfernen Sie die Scharnierabdeckung und drehen Sie mit dem Werkzeug die 3 Schrauben heraus, sodass Sie die Tür abnehmen können.
6. Drehen Sie die 3 Schrauben unter der Tür heraus, entfernen Sie Türzylinder und Türanschlag und montieren Sie alles auf der anderen Türseite.
7. Schrauben Sie die Scharnierbaugruppe vom Gehäuse ab, entfernen Sie dabei zuerst den Scharnierzylinder in der unteren Scharnierbaugruppe. Setzen Sie den Scharnierzylinder wieder in das rechte Schraubenloch ein und montieren Sie ihn. Versetzen Sie jetzt die Tür mit der Scharnierbaugruppe auf die andere Seite des Gehäuses.
8. Die Tür wird senkrecht nach unten ausgerichtet auf dem Scharnierzylinder montiert.
9. Das obere Scharnier wird in das Schachtloch der Tür eingesetzt und am Gehäuse festgeschraubt. Zum Schluss die Abdeckung der Verkabelung und die obere Abdeckungsleiste wieder anbringen.



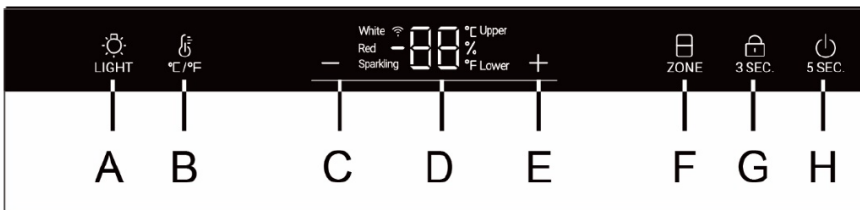
## 1. Vor der ersten Inbetriebnahme

- ▶ Entfernen Sie alle Verpackungsmaterialien. Dazu gehören der Schaumstoffboden und das gesamte Klebeband, mit dem die Zubehörteile des Weinklimaschranks innen und außen befestigt werden. Bewahren Sie sie außerhalb der Reichweite von Kindern auf und entsorgen Sie sie auf umweltfreundliche Weise.
- ▶ Reinigen Sie das Gerät innen und außen mit Wasser und einem milden Reinigungsmittel, bevor Sie Wein hineinlegen.
- ▶ Warten Sie nach dem Nivellieren und Reinigen mindestens 2 Stunden, bevor Sie das Gerät an die Stromversorgung anschließen. Wenn Ihr Weinklimaschrank aus irgendeinem Grund gekippt wurde, warten Sie 24 Stunden, bevor Sie ihn an die Stromversorgung anschließen. Siehe Abschnitt INSTALLATION.
- ▶ Sobald Sie das Gerät an eine Steckdose angeschlossen haben, lassen Sie es mindestens 30 Minuten laufen, um sich zu akklimatisieren, bevor Sie Anpassungen vornehmen.
- ▶ Die Temperatur wird automatisch auf 12 °C eingestellt. Sie können die Temperatur auch manuell ändern. Siehe Abschnitt TEMPERATUR.

## 2. Berührungstasten

Die Tasten auf dem Bedienfeld sind Berührungstasten, die bei leichter Berührung mit dem Finger ansprechen.

## 3. Beschreibung des Bedienfelds



- |                                        |                                    |
|----------------------------------------|------------------------------------|
| A Innenbeleuchtung-Taste               | E Temperaturanpassungstaste: höher |
| B °C /°F Konvertierungstaste           | F Auswahl der Temperaturzone       |
| C Temperaturanpassungstaste: niedriger | G Taste Displaysperre              |
| D Anzeige                              | H Einschalt-Taste                  |

## 4. Automatische Verriegelungsfunktion

Drücken Sie bei gesperrtem Display die Sperrtaste 3 Sekunden lang; auf dem Display werden 3, 2 und 1 angezeigt, der Bildschirm ist entsperrt und das Sperrsymbol leuchtet halb auf; wenn keine Bedienung erfolgt, wird der Bildschirm nach 30 Sekunden automatisch wieder gesperrt. Wenn das Display gesperrt ist, leuchten die Sperrtasensymbole und sie können nicht bedient werden (außer der Beleuchtung-Taste).

## 5. Einschalttasten-Funktion

Wenn das Display ausgeschaltet ist, berühren Sie eine beliebige Taste, und das Display leuchtet auf; drücken Sie die Einschalttaste lange, und auf dem Display werden 5, 4, 3, 2 und 1 angezeigt, und das gesamte Gerät wird ausgeschaltet. Wenn das Gerät ausgeschaltet ist, drücken Sie lange auf die Ein/Aus-Taste, um 5, 4, 3, 2, 1 anzuzeigen. Der Strom ist eingeschaltet.

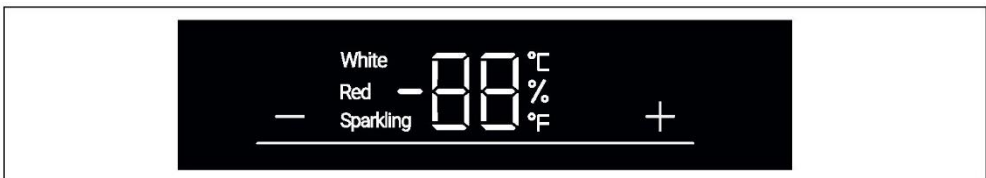
## 6. Temperatureinstellung



### Hinweis

#### Voreinstellungen

- ▶ Sobald Sie das Gerät an eine Steckdose angeschlossen haben, lassen Sie das Gerät mindestens 30 Minuten laufen, um sich zu akklimatisieren, bevor Sie Anpassungen vornehmen.
- ▶ Wenn das Gerät, nachdem es von der Hauptstromversorgung getrennt wurde, eingeschaltet wird, kann es mehrere Stunden dauern, bis die richtigen Temperaturen erreicht sind. Die genaue Zeit variiert je nach Umgebung und Temperatureinstellung.



Drücken Sie die Taste oder und die Anzeige beginnt zu blinken. Durch Drücken der Taste oder kann die Kühlschranktemperatur eingestellt werden. Der Temperatureinstellbereich: 5-20°C (41-68°F).

Halten Sie die Taste 3 Sekunden lang gedrückt, wird die Temperatur bestätigt.

## 7. Modus- Zone Funktion

Drücken Sie die Taste . Die Temperatur wechselt von der Kühlung für Schaumwein (Sparkling, 8°C oder 47°F) auf Weißwein (White, 12°C oder 54°F) und Rotwein (Red, 16°C oder 61°F). HWS247GGU1  
Im Entriegelungsstatus ist das Symbol voll eingeschaltet. Befindet sich die aktuelle Anzeige im oberen Temperaturbereich, wird das Oben-Symbol eingeschaltet und das Unten-Symbol wird ausgeschaltet. Drücken Sie an dieser Stelle die Taste, das Unten-Symbol wird eingeschaltet und das Oben-Symbol wird ausgeschaltet. (HWS236GDGU1)

### Empfohlene Temperatureinstellungen

Die folgenden Trinktemperaturen werden für die verschiedenen Weinsorten empfohlen.

Rotwein	+13°C bis +20°C (+55°F bis + 68°F)	Schaumwein Prosecco	+5°C bis +8°C (+41°F bis 47°F)
Weißwein	+9°C bis +12°C (+48°F bis +54°F)		

Wenn Sie Wein über einen längeren Zeitraum lagern, sollte er bei einer Temperatur zwischen +10°C und +12°C (50°F und +54°F) gelagert werden.

## 8. Standby-Modus

Der Bildschirm wird automatisch 30 Sekunden gedimmt.

Er leuchtet automatisch auf, wenn eine Taste berührt oder die Tür geöffnet wird.



## Hinweis

### Auswirkungen auf die Temperaturen



Die Temperatur im Geräteinnenraum wird durch folgende Faktoren beeinflusst:

- ▶ Umgebungstemperatur
- ▶ Menge der gelagerten Flaschen
- ▶ Häufigkeit der Türöffnung
- ▶ Standort des Geräts

Die Standardeinstellung beträgt 12 °C

Wenn die Anzeige das Blinken einstellt, zeigt sie wieder die aktuelle Temperatur im Inneren des Weinklimaschranks an. Es dauert einige Zeit, bis die eingestellte Temperatur erreicht ist.

## 9. Einstellung der Beleuchtungsart

Drücken Sie die  Taste. Wenn die Lampen im Schrank eingeschaltet sind, leuchten sie nach und nach auf. Sobald die  Taste erneut gedrückt wird, werden die Lichter nach und nach ausgeschaltet.

## 10. °C/°F-Funktion

Drücken Sie die  Taste, um zwischen Fahrenheit und Celsius zu wechseln.

## 11. Ausschalt Speicher-Funktion

Bei einem Stromausfall speichert das Gerät automatisch die eingestellte Temperatur. Nach Wiederherstellung der Stromversorgung wird diese auf Basis der vor dem Stromausfall eingestellten Temperatur ausgeführt.

## 12. Niedrigtemperatur-Kompensationsfunktion

Der Weinklimaschrank hat eine Niedrigtemperatur-Kompensationsfunktion, um die Stabilität der Temperatur zu gewährleisten: Liegt die Umgebungstemperatur unter der Soll-Temperatur, startet der Weinklimaschrank bei niedriger Temperatur automatisch die Kompensationsfunktion, um die Anwendung zu erwärmen. Erreicht die Temperatur in der Anwendung die Soll-Temperatur, wird die Niedrigtemperatur-Kompensationsfunktion automatisch ausgeschaltet.

## 13. Türöffnungsalarm

Wenn die Tür länger als 1 Minuten geöffnet bleibt, ertönt ein akustisches Signal, um einen Alarm auszulösen, bis die Tür geschlossen wird oder eine Taste auf dem Display betätigt wird, damit das akustische Signal verstummt.



## Energiespartipps

- ▶ Stellen Sie sicher, dass das Gerät ordnungsgemäß belüftet ist (siehe INSTALLATION).
- ▶ Stellen Sie das Gerät nicht in direktem Sonnenlicht oder in der Nähe von Hitzequellen (z. B. Herden, Heizungen) auf.
- ▶ Vermeiden Sie unnötig niedrige Temperaturen im Gerät. Je niedriger die im Gerät eingestellte Temperatur, umso höher der Energieverbrauch.
- ▶ Öffnen Sie die Gerätetür so wenig und so kurz wie möglich.
- ▶ Überschreiten Sie nicht die festgelegte Anzahl an Flaschen, um den Luftstrom nicht zu behindern.
- ▶ Halten Sie Türdichtungen sauber, damit die Tür immer richtig schließt.
- ▶ Die energiesparendste Konfiguration erfordert, dass Schublade, Lebensmittelbox und Einlegeböden im Gerät so wie geliefert eingesetzt sind und die Lebensmittel so platziert werden, dass sie den Luftauslass des Kanals nicht blockieren.

## 14. Wi-Fi-Modus-Einstellung

**KONNEKTIVITÄT  
DRAHTLOSPARAMETER**

Technologie	W-lan	Bluetooth
Standard	IEE 802.11 b/g/n	Bluetooth v4.2, BR/EDR, BLE
Frequenzband(en) [MHz]	2401÷2483	2402÷2480
Maximale Leistung [mW]Band(en) [MHz]	100	10

**PRODUKTINFORMATION**

- So aktivieren Sie das Wi-Fi-Modul:
  - Drücken Sie die Lichttaste 3 Sekunden lang, um das WLAN zu aktivieren
  - Das Wi-Fi-Modul ist eingeschaltet, das Wi-Fi-Symbol beginnt zu blinken
  - Wenn der Weinkeller angemeldet, aber das WLAN ausgeschaltet ist, blinkt das Symbol Wenn der Weinkeller angemeldet und verbunden ist, leuchtet das Wi-Fi-Symbol immer.

Um das Wi-Fi zurückzusetzen, drücken Sie 3 Sekunden lang auf das Licht

**IN APP PAIRING PROCEDURE**

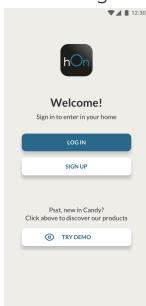
## Schritt 1

- Laden Sie die hOn-App in den Stores herunter



## Schritt 2

- Anmelden oder Registrieren



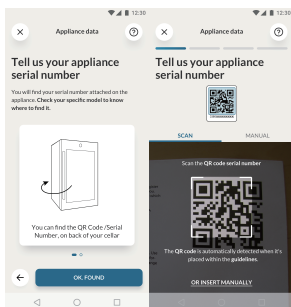
## Schritt 3

- Fügen Sie ein neues Gerät hinzu, indem Sie den Weinkeller aus dem auswählen



## Schritt 4

- Scannen Sie den QR-Code oder geben Sie die Seriennummer manuell ein



## Schritt 5

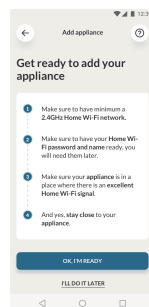
- Drücken Sie die Lichttaste am Produkt 3 Sekunden lang, um das WLAN zu aktivieren



## Schritt 6

- Das Wi-Fi-Symbol blinkt, der Kopplungsvorgang ist im Gange.
- Sie haben 5 Minuten Zeit, um den Kopplungsvorgang abzuschließen
- Wenn der Vorgang abgeschlossen ist, das Wi-Fi-Symbol auf zu blinken und bleibt immer an

## HINWEIS

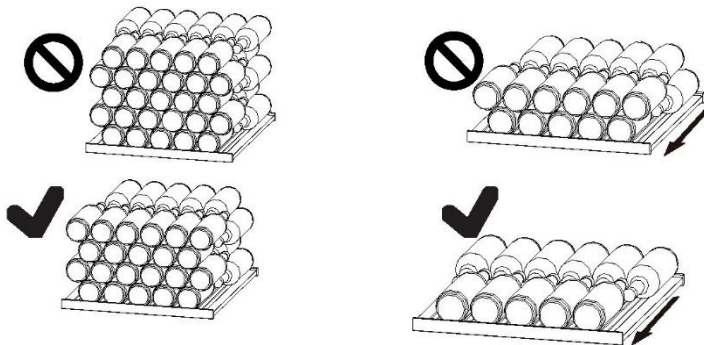


## 1. Einlegeböden


1. Die Einlegeböden sind für eine einfache Aufbewahrung und ein einfaches Herausnehmen des Weins ausgelegt. Sie können mit einem weichen Tuch gereinigt werden.
2. Reguläre Flaschen mit einem Durchmesser von 76 mm können gestapelt werden.
3. Magnum-Flaschen können im unteren Einlegeboden gestapelt werden.
4. Die Menge kann von der angegebenen Anzahl bzw. den Flaschen abweichen, wenn diese auf eine andere Weise gestapelt wurden.

### Ratschläge zum Einräumen Ihres Weinklimaschranks

Wir empfehlen, dass die Anzahl der Weinflaschen nicht mehr als vier Lagen pro Regal beträgt und die Tragfähigkeit der Weinregale 60 Flaschen im Weintemperierschrank nicht übersteigt. Sehen Sie nach, ob die Einlegeböden dem Gewicht gut standhalten. Vergewissern Sie sich außerdem, dass keine Flasche aus den Einlegeböden herausragt, um zu vermeiden, dass Flaschen beim Schließen gegen die Glastür schlagen.



## 2. Das Licht

Die LED-Innenbeleuchtung leuchtet, wenn die Tür geöffnet wird. Um das Licht beim Schließen der Tür einzuschalten, drücken Sie die  Taste. Zum Ausschalten der Lichter drücken Sie die Taste erneut. Um die Energieeffizienz zu erhöhen, sollten die Lichter ausgeschaltet werden, wenn Sie nicht in den Weinklimaschrank sehen.

## 3. Die Sperre

Zum Verriegeln des Weinklimaschranks schließen Sie die Tür und stecken Sie den Schlüssel in das Schloss:

- ▶ Türe durch Drehen des Schlüssels entgegen dem Uhrzeigersinn verschließen.
- ▶ Türe durch Drehen des Schlüssels im Uhrzeigersinn aufschließen.

## 1. Abtauen

Das Abtauen des Weinklimaschranks erfolgt automatisch, es ist keine manuelle Tätigkeit erforderlich.

## 2. Austausch der LED-Leuchte

Die Leuchte nutzt als Lichtquelle eine LED mit geringem Energieverbrauch und langer Lebensdauer. Bei Anomalien wenden Sie sich bitte an den Kundenservice. Siehe KUNDENSERVICE.



### WARNUNG!

Ersetzen Sie die LED-Leuchte nicht selbst. Sie darf nur vom Hersteller oder von einem autorisierten Service-Mitarbeiter ausgetauscht werden.

### Parameter der LED-Leuchte:

Spannung 12 V

Max. Leistung: 18 W

## 3. Nichtverwendung für einen längeren Zeitraum

Das Netzkabel abziehen.

Reinigen Sie das Gerät und die Türdichtungen wie oben beschrieben.

Halten Sie die Tür offen, um zu verhindern, dass sich schlechte Gerüche bilden.

## 4. Verstellen des Gerätes

1. Nehmen Sie alle Flaschen heraus und ziehen Sie den Gerätestecker.

2. Fixieren Sie die Einlegeböden und andere bewegliche Teile im Weinklimaschrank mit Klebeband.

3. Den Weinklimaschrank um maximal 45° kippen, um eine Beschädigung des Kühlsystems zu vermeiden.

## 5. Luftaustausch mit Aktivkohlefilter

Die Art und Weise, wie die Weine weiterhin reifen, hängt von den Umgebungsbedingungen ab.

Daher ist die Luftqualität entscheidend für die Konservierung des Weins. Im unteren Bereich der Geräte rückwand wurde ein Aktivkohlefilter eingebaut, um Rückstände optimal filtern zu können



### Hinweis

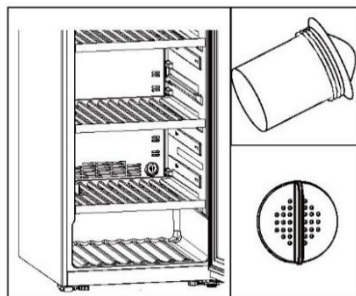
Wir empfehlen, den Filter einmal pro Jahr austauschen. Filter erhalten Sie bei Ihrem Händler.

### Filterwechsel:

Den Filter am Griff anfassen. Den Filter nach links drehen und entfernen.

### Filter einsetzen:

Mit dem Griff senkrecht einsetzen. Den Filter nach rechts und einfügen.



Viele auftretende Probleme können von Ihnen selbst ohne spezifische Fachkenntnisse gelöst werden. Bei Problemen prüfen Sie bitte alle angezeigten Möglichkeiten und befolgen Sie die nachstehenden Anweisungen, bevor Sie einen Kundenservice kontaktieren. Siehe KUNDENSERVICE.



### WARNUNG!

- ▶ Das Gerät vor der Wartung deaktivieren und den Netzstecker aus der Steckdose ziehen.
- ▶ Elektrische Geräte sollten nur von qualifizierten Fachelektrikern repariert werden, da unsachgemäße Reparaturen erhebliche Folgeschäden verursachen können.
- ▶ Eine beschädigte Lieferung sollte nur vom Hersteller, von seinem Service-Mitarbeiter oder einer gleichwertig qualifizierten Person ausgetauscht werden, um jegliches Risiko zu vermeiden.

Fehlercode	Ursache	Lösung
L2	Niedrigtemperaturalarm, wenn die Temperatur des Kontrollfühlers zu niedrig ist.	<ol style="list-style-type: none"> <li>1.Überprüfen Sie die Umgebungstemperatur.</li> <li>2.Überprüfen Sie die Verbindung des Kompressors.</li> <li>3.Prüfen Sie den Widerstand des Temperatursensors.</li> </ol>
H1	Wenn die Temperatur des Kontrollsensors zu hoch ist, wird auf dem Display ein Hochtemperaturalarm angezeigt.	<ol style="list-style-type: none"> <li>1.Überprüfen Sie die Verbindung der Steuerplatine oder des Anzeigefeldes.</li> <li>2.Prüfen Sie den Widerstand und die Stromversorgung des Lüfters.</li> <li>3.Prüfen Sie das Gebläse und die Verbindung des Kompressors.</li> </ol>

Problem	Mögliche Ursache	Mögliche Behebung
Der Kompressor funktioniert nicht.	<ul style="list-style-type: none"> <li>• Der Netzstecker ist nicht an die Steckdose angeschlossen.</li> </ul>	<ul style="list-style-type: none"> <li>• Netzstecker anschließen.</li> </ul>
Das Gerät läuft häufig oder zu lange.	<ul style="list-style-type: none"> <li>• Die Außentemperatur ist zu hoch.</li> <li>• Das Gerät wurde über einen längeren Zeitraum ausgeschaltet.</li> <li>• Eine Gerätetür wurde nicht richtig geschlossen.</li> <li>• Die Tür wurde zu häufig oder zu lange geöffnet.</li> <li>• Die Türdichtungen sind verschmutzt, verschlissen, gerissen oder verrutscht.</li> <li>• Die erforderliche Luftzirkulation ist nicht gewährleistet.</li> <li>• Temperatur zu niedrig eingestellt.</li> </ul>	<ul style="list-style-type: none"> <li>• In diesem Fall ist es normal, dass das Gerät länger läuft.</li> <li>• Normalerweise dauert es eine Weile, bis das Gerät vollständig abgekühlt ist.</li> <li>• Tür schließen und sicherstellen, dass das Gerät auf einem ebenem Untergrund steht und dass keine Lebensmittel oder Behälter gegen die Tür stoßen.</li> <li>• Tür nicht zu häufig öffnen.</li> <li>• Die Türdichtung reinigen oder vom Kundenservice ersetzen lassen.</li> <li>• Für ausreichende Belüftung sorgen.</li> <li>• Das Problem löst sich von selbst, sobald die gewünschte Temperatur erreicht ist.</li> </ul>
Das Innere des Weinklimaschranks ist schmutzig und/oder übelriechend.	<ul style="list-style-type: none"> <li>• Das Innere des Weinklimaschranks muss gereinigt werden.</li> </ul>	<ul style="list-style-type: none"> <li>• Das Innere des Weinklimaschranks reinigen.</li> </ul>
Das Innere des Geräts ist nicht kalt genug.	<ul style="list-style-type: none"> <li>• Temperatur zu hoch eingestellt.</li> <li>• Flaschen wurden erst kürzlich hinzugefügt.</li> <li>• Eine Gerätetür wurde nicht richtig geschlossen.</li> <li>• Die Tür wurde zu häufig oder zu lange geöffnet.</li> <li>• Die Türdichtungen sind verschmutzt, verschlissen, gerissen oder verrutscht.</li> </ul>	<ul style="list-style-type: none"> <li>• Temperatur zurücksetzen.</li> <li>• Lassen Sie den kürzlich hinzugefügten Flaschen Zeit, die gewünschte Temperatur zu erreichen.</li> <li>• Tür schließen.</li> <li>• Tür nicht zu häufig öffnen.</li> <li>• Die Türdichtung reinigen oder vom Kundenservice ersetzen lassen.</li> </ul>
Das Innere des Geräts ist zu kalt.	<ul style="list-style-type: none"> <li>• Temperatur zu niedrig eingestellt.</li> </ul>	<ul style="list-style-type: none"> <li>• Temperatur zurücksetzen.</li> </ul>
Feuchtigkeitsbildung im Innern des Kühlfachs.	<ul style="list-style-type: none"> <li>• Das Klima ist zu warm und zu feucht.</li> <li>• Eine Gerätetür wurde nicht richtig geschlossen.</li> <li>• Die Tür wurde zu häufig oder zu lange geöffnet.</li> </ul>	<ul style="list-style-type: none"> <li>• Temperatur erhöhen.</li> <li>• Tür schließen.</li> <li>• Tür/Schublade nicht zu häufig öffnen.</li> </ul>

Problem	Mögliche Ursache	Mögliche Behebung
An der Außenfläche des Weinklimaschranks sammelt sich Feuchtigkeit an.	<ul style="list-style-type: none"> <li>• Das Klima ist zu warm und zu feucht.</li> <li>• Tür nicht richtig geschlossen. Die kalte Luft im Gerät und die warme Außenluft kondensieren.</li> </ul>	<ul style="list-style-type: none"> <li>• Das ist bei feuchtem Klima normal und ändert sich, wenn die Feuchtigkeit abnimmt.</li> <li>• Achten Sie darauf, dass die Tür dicht verschlossen ist und die Dichtungen richtig abdichten.</li> </ul>
Das Gerät macht anormale Geräusche	<ul style="list-style-type: none"> <li>• Das Gerät befindet sich nicht auf einem ebenen Untergrund.</li> <li>• Das Gerät berührt einige Gegenstände um es herum.</li> </ul>	<ul style="list-style-type: none"> <li>• Füße einstellen, um das Gerät in die Waage zu bringen.</li> <li>• Die Gegenstände um das Gerät herum entfernen.</li> </ul>
Es ist ein leichtes Geräusch zu hören, ähnlich wie dem von fließendem Wasser.	<ul style="list-style-type: none"> <li>• Das ist normal</li> </ul>	<ul style="list-style-type: none"> <li>• -</li> </ul>
Die Innenbeleuchtung oder das Kühlsystem funktioniert nicht.	<ul style="list-style-type: none"> <li>• Der Netzstecker ist nicht an die Steckdose angeschlossen.</li> <li>• Die Stromversorgung ist nicht intakt.</li> <li>• Die LED-Leuchte ist defekt.</li> </ul>	<ul style="list-style-type: none"> <li>• Netzstecker anschließen.</li> <li>• Die Stromversorgung des Raums überprüfen. Den örtlichen Stromversorger anrufen.</li> <li>• Bitte rufen Sie den Kundenservice an, um Änderungen vorzunehmen.</li> </ul>
Die Seitenwände des Kühlgeräts und die Türleiste werden warm	<ul style="list-style-type: none"> <li>• Das ist normal.</li> </ul>	<ul style="list-style-type: none"> <li>• -</li> </ul>
Die Tür schließt nicht richtig	<ul style="list-style-type: none"> <li>• Das Gerät steht nicht gerade.</li> <li>• Tür blockiert.</li> </ul>	<ul style="list-style-type: none"> <li>• Das Gerät mit den Nivellierfüßen ausrichten.</li> <li>• Auf Blockierungen wie Flaschen oder Einlegeböden prüfen.</li> </ul>

Um den technischen Kundendienst zu kontaktieren, besuchen Sie unsere Website: <https://corporate.haier-europe.com/en/>  
Wählen Sie im Abschnitt „Website“ die Marke Ihres Produkts und Ihr Land aus. Sie werden auf die entsprechende Website weitergeleitet, auf der Sie die Telefonnummer und das Formular zur Kontaktaufnahme mit dem technischen Kundendienst finden.

## Produktdatenblatt gemäß EU-Nr. 2019/2016

Marke Modellname/	Haier	Haier
Kennung	HWS247GGU1	HWS236GDGU1
Kategorie	Wine Cellar	Wine Cellar
Energieeffizienzklasse	G	G
Jährlicher Energieverbrauch (kWh/Jahr) <sup>1</sup>	184	184
Speichervolumen(L)	450	448
Klimaklasse: Dieses Gerät ist für den Gebrauch bestimmt bei einer Umgebungstemperatur zwischen 10 °C und 38 °C.	SN N ST	SN N ST
Luftschallemission (db(A) re 1pW)	C(37)	C(37)
Gerätetyp	Freistehend	Freistehend
Dieses Gerät ist ausschließlich für den Gebrauch bestimmt zur Weinlagerung.	JA	JA
Abmessungen (B/T/H in mm)	597/714/1900	597/714/1900

### Erläuterungen:

1)basierend auf Standard- Testergebnissen für 24 Stunden. Der tatsächliche Energieverbrauch hängt von der aktuellen Umgebung, der Anzahl an Flaschen, der eingestellten Temperatur, dem Öffnen und Schließen der Tür, usw. ab

2)Die Nennleistungsaufnahme ist der Wert, der gemäß der Standardprüfung ermittelt wird, wenn das Innenlicht des Weinklimaschranks nicht eingeschaltet ist.

- Subnormal: Dieses Kühlgerät ist für die Verwendung bei einer Umgebungstemperatur zwischen 10°C und 32°C ausgelegt.
- Normal: Dieses Kühlgerät ist für die Verwendung bei einer Umgebungstemperatur zwischen 16 °C und 32°C ausgelegt.
- Subtropisch: Dieses Kühlgerät ist für die Verwendung bei einer Umgebungstemperatur zwischen 16 °C und 38 °C ausgelegt.
- Tropisch: Dieses Kühlgerät ist für die Verwendung bei einer Umgebungstemperatur zwischen 16 °C und 43 °C ausgelegt.

### Normen und Richtlinien

Dieses Produkt erfüllt die Anforderungen aller geltenden EG-Richtlinien mit den entsprechenden harmonisierten Normen, die eine CE-Kennzeichnung vorsehen.

Wir empfehlen unseren Haier Kundenservice und die Verwendung von Original-Ersatzteilen.

Wenn Sie Probleme mit dem Gerät haben, lesen Sie bitte zuerst den Abschnitt „FEHLERBEHEBUNG“. Wenn Sie dort keine Lösung finden, wenden Sie sich bitte an

- ▶ Ihren Händler vor Ort oder
- ▶ den Abschnitt Service & Support unter [www.haier.com](http://www.haier.com), wo Sie Telefonnummern und FAQs finden und wo Sie den Service-Anspruch aktivieren können.

Um unseren Service zu kontaktieren, stellen Sie sicher, dass Sie die folgenden Daten zur Hand haben.

Die Informationen finden Sie auf dem Typenschild.

Modell \_\_\_\_\_ Seriennummer \_\_\_\_\_

Prüfen Sie im Garantiefall auch die mit dem Produkt mitgelieferte Garantiekarte. Für allgemeine Geschäftsfragen finden Sie unten unsere Adressen in Europa:

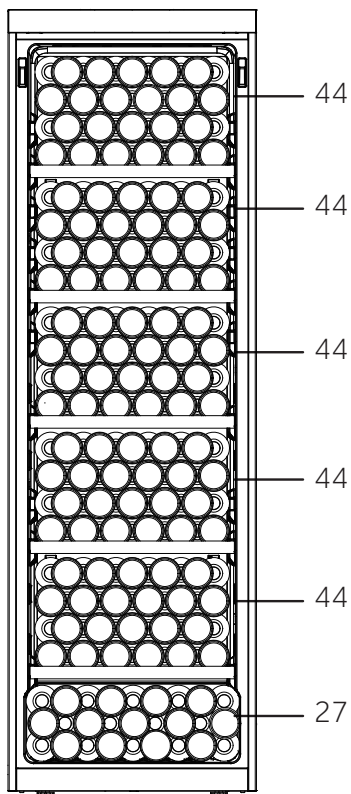
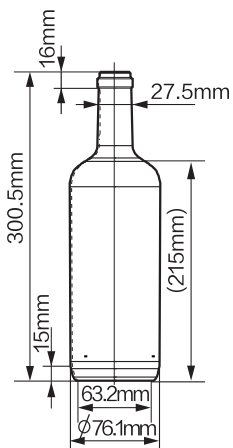
#### Haier-Standorte in Europa

Land*	Postanschrift	Land	Postanschrift
<b>Italien</b>	Haier Europe Trading SRL Via De Cristoforis, 12 21100 Varese ITALIEN	<b>Frankreich</b>	Haier Europe Trading SRL Via De Cristoforis, 12 21100 Varese ITALIEN
<b>Spanien Portugal</b>	Haier Iberia SL Pg. Garcia Faria, 49-51 08019 Barcelona SPANIEN	<b>Belgien-FR Belgien-NL Niederlande Luxemburg</b>	Haier Benelux SA Anderlecht Route de Lennik 451 BELGIEN
<b>Deutschland Österreich</b>	Haier Deutschland GmbH Hewlett-Packard-Str. 4 D-61352 Bad Homburg DEUTSCHLAND	<b>Polen Tschechien Ungarn Griechenland</b>	Haier Poland Sp. zo.o. Al. Jerozolimskie 181B 02-222 Warszawa POLEN
<b>Vereinigtes Königreich</b>	Haier Appliances UK Co. Ltd. One Crown Square Church Street East Woking, Surrey, GU21 6HR UK	<b>Rumänien Russland</b>	

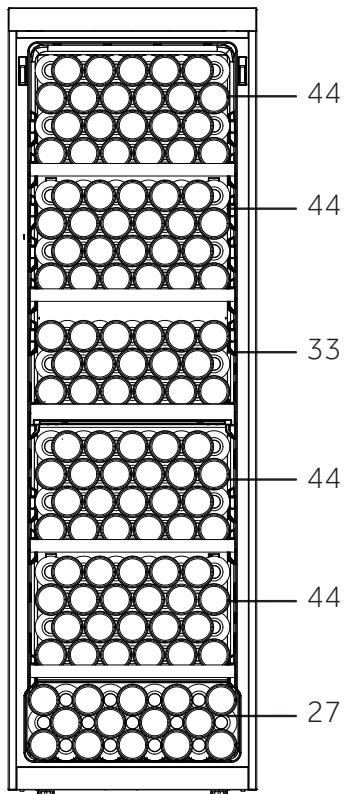
**VERFÜGBARKEIT VON ERSATZTEILEN:** Thermostate, Temperatursensoren, Leiterplatten und Leuchtmittel sind für einen Zeitraum von mindestens sieben Jahren nach Inverkehrbringen des letzten Gerätes des Modells erhältlich. Türgriffe, Türscharniere, Auszüge und Schubladen für eine Mindestdauer von sieben Jahren und Türdichtungen für eine Mindestdauer von 10 Jahren, nachdem das letzte Gerät des Modells in Verkehr gebracht wurde.

**Die Mindestgarantie beträgt:** 2 Jahre für EU-Länder, 3 Jahre für die Türkei, 1 Jahr für Großbritannien, 1 Jahr für Russland, 3 Jahre für Schweden, 2 Jahre für Serbien, 5 Jahre für Norwegen, 1 Jahr für Marokko, 6 Monate für Algerien, Tunesien keine gesetzliche Gewährleistung erforderlich.

**Weitere Informationen zum Produkt finden Sie unter <https://eprel.ec.europa.eu/> oder scannen Sie den QR-Code auf dem Energielabel, das dem Gerät beiliegt.**



**HWS247GGU1**



**HWS236GDGU1**







Haier

# Manuel de l'Utilisateur

Cave à vin

HWS247GGU1  
HWS236GDGU1

FR

**Haier**

## Merci d'avoir acheté un produit Haier.

Veillez lire attentivement ces instructions avant d'utiliser cet appareil. Les instructions contiennent des informations importantes qui vous aideront à tirer le meilleur parti de l'appareil et à assurer l'installation, l'utilisation et l'entretien sûrs et appropriés de celui-ci.

Conservez ce manuel dans un endroit pratique afin que vous puissiez toujours vous référer à celui-ci pour une utilisation sûre et appropriée de l'appareil.

Si vous vendez l'appareil, si vous le donnez ou si vous le laissez derrière vous lorsque vous déménagez, assurez-vous que vous transmettez également ce manuel pour que le nouveau propriétaire puisse se familiariser avec l'appareil et les consignes de sécurité.



### Légende

#### Avertissement - Informations importantes sur la sécurité



Informations générales et conseils



Informations environnementales



#### Mise au rebut

Contribuez à protéger l'environnement et la santé humaine. Jetez l'emballage dans les bacs correspondants pour le recycler. Aidez à recycler les déchets d'appareils électriques et électroniques. Ne jetez pas les appareils marqués de ce symbole avec les déchets ménagers. Ramenez le produit à votre déchetterie locale ou contactez votre bureau municipal.



## AVERTISSEMENT !

### Risque de blessure ou de suffocation !

Les frigorigènes et les gaz doivent être éliminés professionnellement. Assurez-vous que le tube du circuit réfrigérant n'est pas endommagé avant d'être correctement éliminé. Débranchez l'appareil du secteur. Coupez le câble d'alimentation et jetez-le. Retirez les clayettes et les tiroirs ainsi que le verrou et les joints de la porte, afin d'éviter que les enfants et les animaux domestiques ne se retrouvent enfermés dans l'appareil.

Les anciens appareils ont encore une valeur résiduelle. Une méthode de mise au rebut respectueuse de l'environnement permettra de récupérer et de réutiliser les matières premières de valeur.

Le cyclopentane, une substance inflammable non toxique pour l'ozone, est utilisé pour former la mousse isolante.

En veillant à ce que ce produit soit éliminé correctement, vous éviterez les effets négatifs potentiels sur l'environnement et la santé humaine, qui pourraient sinon être causés.

Pour plus d'informations sur le recyclage de ce produit, veuillez contacter votre conseil local, votre service d'élimination des déchets ménagers ou le magasin où vous avez acheté le produit, manipulé par les professionnels.

1- Informations sur la sécurité.....	4
2- Conseils de sécurité.....	7
3- Entretien .....	11
4- Accessoires.....	13
5- Description du produit.....	14
6- Installation .....	15
7- Utilisation .....	19
8- Conseils d'économie d'énergie .....	24
9- Matériel.....	25
10- Entretien et nettoyage .....	26
11- Dépannage .....	27
12- Données techniques .....	30
13- Service clientèle.....	31
14- Empilage des bouteilles de vin .....	32

Cet appareil est destiné à être utilisé exclusivement pour le stockage du vin. Avant d'allumer l'appareil pour la première fois, lisez les conseils de sécurité suivants :



## AVERTISSEMENT !

### Avant la première utilisation

- ▶ Assurez-vous qu'il n'a pas été endommagé pendant le transport.
- ▶ Retirez tous les emballages et gardez-les hors de la portée des enfants, puis jetez-les d'une manière respectueuse de l'environnement.
- ▶ Attendez au moins une demi-heure avant d'installer l'appareil afin de vous assurer que le circuit réfrigérant fonctionne parfaitement.
- ▶ Manipulez toujours l'appareil avec au moins deux personnes parce qu'il est lourd.

### Installation

- ▶ L'appareil doit être placé dans un endroit bien ventilé. Garantissez un espace d'au moins 50 mm au-dessus et autour de l'appareil.
- ▶ **AVERTISSEMENT** : Gardez les ouvertures de ventilation, dans le bâti de l'appareil ou dans la structure intégrée, exemptes d'obstruction.
- ▶ Ne placez jamais l'appareil dans un endroit humide ou un endroit où il pourrait être éclaboussé d'eau. Nettoyez et séchez les éclaboussures d'eau et les taches avec un chiffon doux et propre.
- ▶ N'installez pas votre cave à vin dans un endroit non correctement isolé ou chauffé, par ex. un garage, etc. Votre cave à vin n'a pas été conçue pour fonctionner à une température ambiante inférieure à 10 °C.
- ▶ N'installez pas l'appareil en plein soleil ou à proximité de sources de chaleur (par ex. cuisinières, chauffages).
- ▶ Installez et mettez à niveau l'appareil dans une zone adaptée à sa taille et à son utilisation.
- ▶ Assurez-vous que les informations électriques figurant sur la plaque signalétique sont conformes à l'alimentation électrique. Si ce n'est pas le cas, contactez un électricien.
- ▶ L'appareil est alimenté par une alimentation de 220-240 VCA/50 Hz. Les variations anormales de tension peuvent provoquer l'arrêt de l'appareil ou endommager le régulateur de température ou le compresseur, ou il peut y avoir un bruit anormal lors du fonctionnement. Dans ce cas, un régulateur automatique doit être monté.
- ▶ N'utilisez pas d'adaptateurs multiprises ni de rallonges.

**AVERTISSEMENT !**

- ▶ **AVERTISSEMENT** : Ne placez pas plusieurs prises portatives ou alimentations portatives à l'arrière de l'appareil.
- ▶ **AVERTISSEMENT** : Lors du positionnement de l'appareil, vérifiez que le cordon d'alimentation n'est pas coincé ou abîmé.
- ▶ Ne marchez pas sur le câble d'alimentation.
- ▶ Utilisez une prise de terre séparée pour l'alimentation électrique qui est facile d'accès. L'appareil doit être mis à la terre.
- ▶ **Uniquement pour le Royaume-Uni** : Le câble d'alimentation de l'appareil est équipé d'une fiche 3 pôles (de mise à la terre) qui s'adapte à une prise standard 3 pôles (de mise à la terre). Ne coupez jamais ou ne démontez jamais la troisième broche (mise à la terre). Une fois l'appareil installé, la fiche doit être accessible.
- ▶ **AVERTISSEMENT** : N'endommagez pas le circuit réfrigérant.

**Utilisation quotidienne**

- ▶ Cet appareil peut être utilisé par les enfants de plus de 8 ans et les personnes ayant des capacités physiques, sensorielles ou mentales réduites ou un manque d'expérience et de connaissances, s'ils ont été supervisés ou si on leur a appris à utiliser l'appareil en toute sécurité et qu'ils comprennent les risques courus.
- ▶ Les enfants ne doivent pas jouer avec l'appareil.
- ▶ Les enfants âgés de 3 à 8 ans sont autorisés à remplir et vider les appareils de réfrigération, mais ne sont pas autorisés à nettoyer et à installer les appareils de réfrigération.
- ▶ Gardez les enfants âgés de moins de 3 ans à l'écart de l'appareil à moins qu'ils ne soient constamment surveillés.
- ▶ Le nettoyage et l'entretien ne doivent pas être effectués par des enfants sans surveillance.
- ▶ L'appareil doit être positionné de manière à ce que la fiche soit accessible.
- ▶ Si du gaz de ville ou tout autre gaz inflammable fuit à proximité de l'appareil, fermez la vanne du gaz qui fuit, ouvrez les portes et les fenêtres et ne débranchez pas le câble d'alimentation de l'appareil.
- ▶ Attendez au moins 7 minutes pour remettre le courant après l'avoir coupé.
- ▶ Ne soulevez pas l'appareil par ses poignées de porte.
- ▶ Les clés doivent être gardées hors de la portée des enfants et pas à proximité de l'appareil pour empêcher que les enfants s'enferment à l'intérieur de l'appareil.



## AVERTISSEMENT !

- ▶ Notez que l'appareil est réglé pour fonctionner dans la plage ambiante spécifique entre 10 et 38 °C. L'appareil ne peut pas fonctionner correctement s'il est laissé pendant une longue période à une température supérieure ou inférieure à la plage indiquée.
- ▶ Ne placez pas d'objets instables (objets lourds, récipients remplis d'eau) sur le dessus de l'appareil, pour éviter les blessures corporelles causées par une chute ou un choc électrique causé par le contact avec de l'eau.
- ▶ Ouvrez et fermez la porte uniquement avec les poignées. L'écart entre la porte et la cave est très étroit. Ne mettez pas vos mains dans ces zones pour éviter de vous pincer les doigts. Ouvrez ou fermez les portes de l'appareil uniquement lorsqu'il n'y a pas d'enfants dans le rayon de mouvement de la porte.
- ▶ Ne conservez pas et n'utilisez pas de matières corrosives, explosives ou inflammables dans l'appareil ou à proximité.
- ▶ Ne rangez pas des substances explosives comme des bombes d'aérosol contenant un combustible inflammable dans cet appareil.
- ▶ Ne conservez pas de médicaments, de bactéries ou d'agents chimiques dans l'appareil. Cet appareil est un appareil électroménager. Il n'est pas recommandé pour stocker des produits qui nécessitent des températures strictes.
- ▶ Ne réglez pas une température inutilement basse dans le compartiment de la cave à vin. Des températures inférieures peuvent se produire à des réglages élevés. Attention : Les bouteilles peuvent éclater
- ▶ Ne touchez pas la surface intérieure du compartiment de l'appareil lorsqu'il est en fonctionnement, en particulier avec les mains mouillées, car vos mains peuvent geler sur la surface.
- ▶ Pour un refroidissement correct du vin, ne surchargez pas l'appareil.
- ▶ Débranchez l'appareil en cas de coupure de courant ou avant de le nettoyer. Attendez au moins 7 minutes avant de redémarrer l'appareil, car le démarrage fréquent risque d'endommager le compresseur.
- ▶ **AVERTISSEMENT** : N'utilisez pas d'appareils électriques à l'intérieur de l'électroménager, à moins qu'ils ne soient du type recommandé par le fabricant. Pour éviter tout risque, un câble d'alimentation endommagé doit être remplacé par le service à la clientèle (voir carte de garantie).
- ▶ Pour prolonger la durée de vie de l'appareil, évitez de l'éteindre.
- ▶ Ne placez jamais l'appareil à l'horizontale sur le sol. Après avoir incliné l'appareil de plus de 45°, attendez 24 heures avant de le brancher.

**AVERTISSEMENT !****Entretien/nettoyage**

- ▶ Veillez à superviser les enfants s'ils effectuent le nettoyage et l'entretien.
- ▶ Débranchez l'appareil du secteur avant d'effectuer tout entretien courant. Attendez au moins 7 minutes avant de redémarrer l'appareil, car le démarrage fréquent risque d'endommager le compresseur.
- ▶ Tenez la fiche, pas le câble, lorsque vous débranchez l'appareil.
- ▶ Ne nettoyez pas l'appareil à l'aide de brosses dures, de brosses métalliques, de détergents en poudre, d'essence, d'acétate d'amyle, d'acétone et de solutions organiques similaires, d'acides ou de solutions alcalines. Nettoyez-le avec un détergent spécial pour réfrigérateur/congélateur afin d'éviter de l'endommager. Enfin, utilisez de l'eau tiède et une solution de bicarbonate de soude : environ une cuillère à soupe de bicarbonate de soude pour un litre/quart d'eau. Rincez abondamment à l'eau et essuyez. N'utilisez pas de poudres de nettoyage ou d'autres nettoyeurs abrasifs. Ne lavez pas les pièces amovibles au lave-vaisselle.
- ▶ **AVERTISSEMENT :** N'utilisez pas des dispositifs mécaniques ou d'autres moyens pour accélérer le processus de dégivrage, hormis ceux recommandés par le fabricant.
- ▶ Si le cordon d'alimentation est endommagé, faites-le remplacer par le fabricant, le service après-vente ou un électricien qualifié pour éviter tout risque d'accident.
- ▶ N'essayez pas de réparer, démonter ou modifier l'appareil vous-même. En cas de réparation, veuillez contacter notre service clientèle.
- ▶ Si les lampes d'éclairage sont endommagées, elles doivent être remplacées par le fabricant, son service de maintenance ou des personnes de qualification similaire afin d'éviter tout danger.
- ▶ Éliminez la poussière à l'arrière de l'appareil au moins une fois par an pour éviter tout risque d'incendie, ainsi que l'augmentation de la consommation d'énergie.

- ▶ Ne pulvérisez pas et ne rincez pas l'appareil pendant le nettoyage.
- ▶ N'utilisez pas de jet d'eau ou de vapeur pour nettoyer l'appareil.
- ▶ Ne nettoyez pas la porte froide en verre à l'eau chaude. Un changement soudain de température peut casser le verre.
- ▶ Si vous laissez votre appareil hors d'usage pendant une période prolongée, laissez-le ouvert pour éviter que des odeurs désagréables se forment à l'intérieur.

## Informations sur les gaz réfrigérants



### AVERTISSEMENT !

L'appareil contient l'ISOBUTANE réfrigérant inflammable (R600a). Assurez-vous que le circuit du réfrigérant n'est pas endommagé pendant le transport ou l'installation. Les fuites de frigorigène peuvent provoquer des blessures oculaires ou s'enflammer. Si un dommage s'est produit, gardez les sources de feu ouvert à l'écart, aérez complètement la pièce, ne branchez pas ou ne débranchez pas les cordons d'alimentation de l'appareil ou de tout autre appareil. Informez le service à la clientèle.

En cas de contact du réfrigérant avec les yeux, rincez-les immédiatement à l'eau courante et appelez immédiatement un oculiste.

**AVERTISSEMENT :** Le système de réfrigération est sous haute pression. Ne le modifiez pas. Étant donné que des réfrigérants inflammables sont utilisés, veuillez installer, manipuler et entretenir l'appareil en suivant strictement les instructions et contactez l'agent professionnel ou notre service après-vente pour mettre l'appareil au rebut.

### Utilisation prévue


Cet appareil est conçu pour être utilisé dans une habitation et pour des applications similaires telles que

- coins-cuisine du personnel dans des magasins, bureaux et autres environnements de travail ;
  - habitations rurales et par des clients dans des hôtels, motels et autres environnements de type résidentiel ;
  - environnements de type chambres d'hôtes ou B&B ;
  - restauration et applications similaires non dédiées à la vente au détail.
- Pour assurer une conservation sûre du vin, veuillez respecter cette notice d'utilisation.
- Les détails de la partie la plus appropriée dans le compartiment de l'appareil où des types spécifiques d'aliments doivent être stockés, compte tenu de la répartition de la température pouvant être présente dans les différents compartiments de l'appareil, se trouvent dans l'autre partie du manuel.

Les changements ou modifications apportés à l'appareil ne sont pas autorisés. Une utilisation non prévue peut entraîner des risques et la perte de garantie.

## Mise au rebut



Le symbole  figurant sur le produit ou sur son emballage indique qu'il ne doit pas être traité comme des ordures ménagères. Vous devez l'apporter à un centre de tri pour le recyclage des produits électriques et électroniques. En éliminant correctement cet appareil, vous évitez toutes les conséquences négatives pour l'environnement et la santé humaine, susceptibles de se présenter si cet appareil n'est pas éliminé correctement. Pour plus d'informations sur le recyclage de ce produit, veuillez contacter votre mairie, votre service de collecte des ordures ménagères ou le magasin où vous avez acheté le produit.

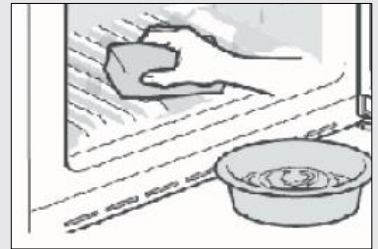
Étant donné que des gaz de soufflage d'isolation inflammables sont utilisés, veuillez contacter l'agent professionnel ou notre service après-vente pour la mise au rebut de l'appareil.

## AVERTISSEMENT !

### Risque de blessures ou de suffocation !

Les frigorigènes et les gaz doivent être éliminés professionnellement. Assurez-vous que le tube du circuit réfrigérant n'est pas endommagé avant d'être correctement éliminé. Débranchez l'appareil du secteur. Coupez le câble d'alimentation et jetez-le. Retirez les clayettes et les tiroirs ainsi que le verrou et les joints de la porte afin d'éviter que les enfants et les animaux domestiques ne se retrouvent enfermés dans l'appareil.

- ▶ **AVERTISSEMENT** : Débranchez l'appareil de l'alimentation électrique avant de le nettoyer.
- ▶ Ne nettoyez pas l'appareil à l'aide de brosses dures, de brosses métalliques, de détergents, d'acétate, d'acétone et de solutions organiques similaires, d'acides ou de solutions alcalines. Nettoyez-le avec un détergent spécial pour réfrigérateur afin d'éviter de l'endommager.
- ▶ Nettoyez l'appareil lorsqu'il n'y a qu'un peu de vin ou qu'il n'y a pas de vin à l'intérieur. Il ne faut le nettoyer que quand il est sale.
- ▶ Nettoyez l'intérieur et le bâti de l'appareil à l'aide d'une éponge imbibée d'eau tiède et de détergent neutre.
- ▶ Rincez à l'eau tiède propre et séchez à l'aide d'un chiffon doux.
- ▶ Ne nettoyez aucune des parties de l'appareil au lave-vaisselle.
- ▶ Attendez au moins 7 minutes avant de redémarrer l'appareil, car le démarrage fréquent risque d'endommager le compresseur.

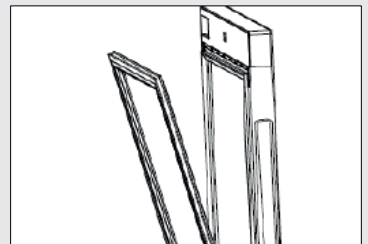


### Nettoyez le joint de la porte :

- ▶ Les joints de porte doivent être nettoyés tous les 3 mois pour assurer une bonne étanchéité. Comme suit : Retirez-le : Saisissez le joint de la porte et tirez-le selon le sens de la flèche pour enlever tout le joint de la porte dans l'ordre.

Trempez la brosse dans de l'eau ou de l'alcool alimentaire, nettoyez d'abord la rainure du joint de la porte en tirant vers passant la brosse de l'arrière vers l'avant.

Essayez ensuite la surface du joint de la porte avec un torchon imbibé d'eau ou d'alcool alimentaire. Enfin, lavez le joint de la porte et essuyez-le avec un torchon propre.



## **Montage du joint de porte après nettoyage :**

Avant de le monter, assurez-vous qu'il n'y a pas d'eau sur le joint de la porte. Insérez le joint de la porte dans la rainure et appuyez fermement sur le joint de la porte de haut en bas à la main jusqu'à ce que tout le joint de la porte soit inséré dans la rainure.

## **Nettoyage des clayettes :**

- ▶ Toutes les clayettes peuvent être retirées pour le nettoyage.
- ▶ Sortez toutes les bouteilles.
- ▶ Soulevez chaque clayette un peu et retirez-la.
- ▶ Nettoyez la clayette à l'aide d'un torchon doux.
- ▶ Attendez que les clayettes soient sèches avant de les remettre en place.

## **AVERTISSEMENT :**

Attendez au moins 7 minutes pour remettre le courant après l'avoir coupé.

Vérifiez les accessoires et la littérature conformément à cette liste : sans isolation.

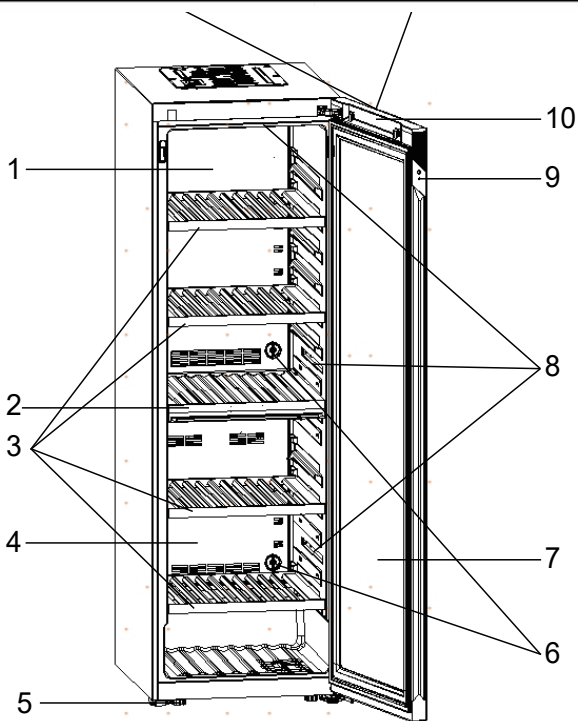
Nom	Manuel d'utilisation	Carte de service	Clayette	Cache de la charnière	Étiquette énergétique	Touches
HWS247GGU1	1	1	5	1	1	2
HWS236GDGU1	1	1	4	1	1	2



## Remarque

En raison des changements techniques et de différents modèles, certaines des illustrations de ce manuel peuvent différer de votre modèle.

### Image de l'appareil



(HWS236GDGU1)

- |                                          |                 |
|------------------------------------------|-----------------|
| 1. Déflecteur du conduit d'air supérieur | 6. Porte        |
| 2. Clayette                              | 7. Lampe LED    |
| 3. Déflecteur du conduit d'air inférieur | 8. Verrouillage |
| 4. Pieds réglables                       | 9. Affichage    |
| 5. Filtre à charbon actif                |                 |

## 1. Déballage

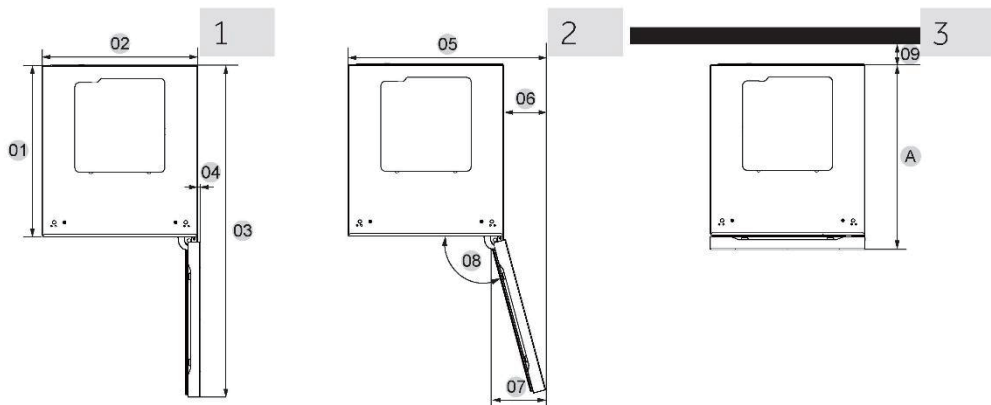
- ▶ Sortez l'appareil de l'emballage.
- ▶ Retirez tous les matériaux d'emballage, y compris la base en mousse et tout le ruban adhésif qui retient les accessoires.

## 2. Conditions environnementales

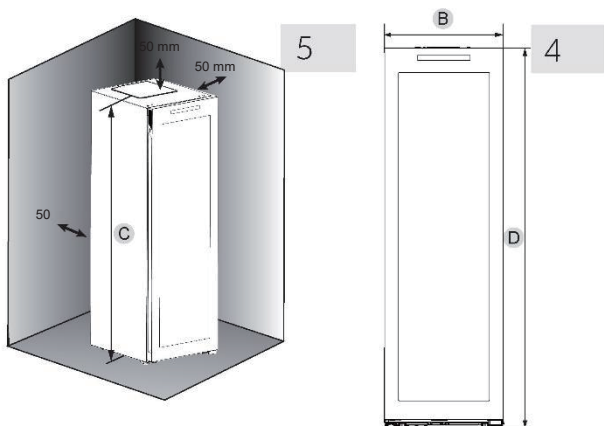
La température ambiante doit toujours être comprise entre 10 °C et 38 °C, car elle peut influencer sur la température à l'intérieur de l'appareil et sa consommation d'énergie. N'installez pas l'appareil à proximité d'autres appareils générant de la chaleur (fours, réfrigérateurs) sans isolation.

## 3. Espace requis

Espace nécessaire pour ouvrir la porte (fig. 1,2,3,4). Pour des raisons énergétiques et de sécurité, il faut respecter la distance de ventilation requise de 50 mm dans toutes les directions (fig. 5).



Measurement: mm	HWS247GGU1	HWS236GDGU1
Depth A	714	714
Width B	597	597
Height C	1905	1905
Overall Height D	1900	1900
01	654	654
02	595	595
03	1273	1273
04	11	11
05	756	756
06	161	161
07	200	200
08	105°	105°
09	50	50





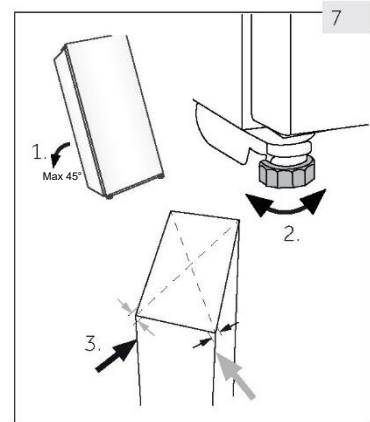
## AVERTISSEMENT !

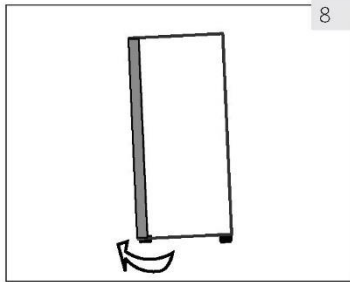
- Maintenez les ouvertures de ventilation situées dans l'appareil ou dans la structure encastrée libres de toute obstruction. Cet appareil de réfrigération n'est pas destiné à être utilisé comme un appareil encastré.

### 5. Alignement de l'appareil

L'appareil doit être placé sur une surface plane et solide.

1. Inclinez légèrement l'appareil vers l'arrière (Fig. 7).
2. Réglez les pieds avant réglables au niveau souhaité en les tournant.
3. La stabilité peut être vérifiée en alternant les diagonales. Le léger flottement doit être le même dans les deux directions. Dans le cas contraire, le cadre peut se déformer ; cela se traduit par des fuites au niveau des joints de la porte. Une faible tendance vers l'arrière facilite la fermeture de la porte.





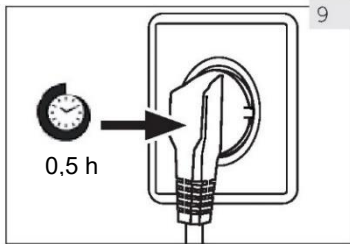
8

## 6. Réglage fin de la porte

L'appareil se ferme plus facilement si les pieds de nivellement sur le devant sont utilisés :

Tournez les pieds réglables (Fig. 8) pour les monter ou les baisser :

- ▶ La rotation des pieds dans le sens des aiguilles d'une montre soulève l'appareil.
- ▶ Tournez les pieds dans le sens contraire des aiguilles d'une montre pour baisser l'appareil.



9

## 7. Temps d'attente

L'huile de lubrification sans entretien se trouve dans la capsule du compresseur. Cette huile peut passer par le système fermé de tuyauterie pendant le transport si l'appareil est incliné. Avant de brancher l'appareil sur l'alimentation électrique, attendez 0,5 heures (Fig. 9) afin que l'huile revienne dans la capsule.

## 8. Branchement électrique

Avant chaque branchement, vérifiez si :

- ▶ l'alimentation, la prise et le fusible sont adaptés à la plaque signalétique.
- ▶ la prise de courant est mise à la terre et sans multiprise ni rallonge.
- ▶ la fiche d'alimentation et la prise sont adaptées l'une à l'autre.

Branchez la fiche sur une prise domestique correctement installée.



### AVERTISSEMENT !

Pour éviter tout risque, un câble d'alimentation endommagé doit être remplacé par le service à la clientèle (voir carte de garantie).

## 9. Réversibilité de la porte

Avant de brancher l'appareil sur l'alimentation électrique, vérifiez si le battant de porte doit passer de droite (tel qu'il est livré) à gauche, si cela est requis par l'emplacement d'installation et l'utilisation

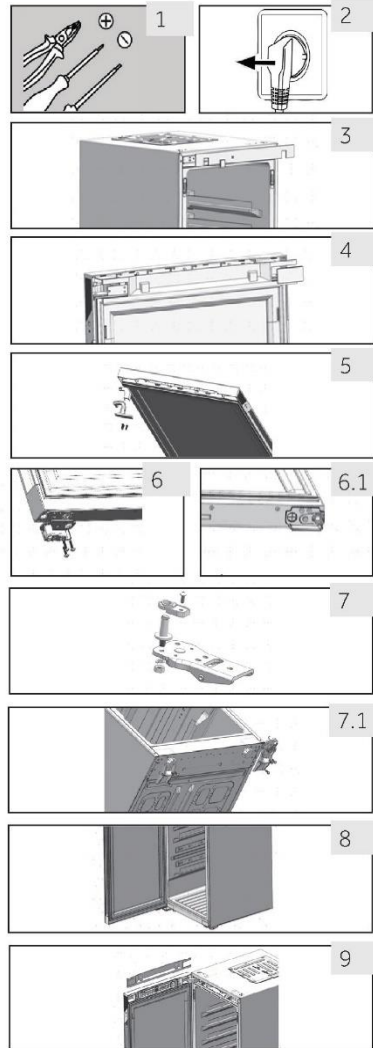


### AVERTISSEMENT !

- ▶ L'appareil est lourd. Vous avez besoin de deux personnes pour changer la porte de côté.
- ▶ Avant toute opération, débranchez tout d'abord l'appareil du secteur.
- ▶ N'inclinez pas l'appareil à plus de 45° pour éviter d'endommager le système de refroidissement.

## Étapes du montage

1. Munissez-vous de l'outil nécessaire.
2. Débranchez l'appareil.
3. Retirez le cache du faisceau supérieur et le petit couvercle. Installation et transposition à gauche et à droite du petit couvercle.
4. Retirez le couvercle du chemin de câbles et le couvercle de la garniture. Installation et transposition à gauche et à droite du couvercle décoratif. Retirez le bouchon en caoutchouc noir du trou de serrure gauche à l'intérieur du corps de la porte et installez-le sur le trou de serrure droit.
5. Retirez le cache de la charnière. Utilisez l'outil pour retirer 3 vis et enlever le corps du portail.
6. Retirez les 3 vis sous le corps du portail avec l'outil, la came du corps de portail et la butée de la porte, la transposition gauche et droite est installée de l'autre côté du corps du portail.
7. Retirez la charnière à l'aide de l'outil, retirez d'abord la came de charnière de l'ensemble de la charnière inférieure, remettez l'axe de charnière dans le trou de la vis de droite. Installation et transposition avec e support de roulettes sur le côté droit du boîtier.
8. Le corps de portail est installé verticalement vers le bas sur l'axe de la charnière.
9. La charnière supérieure est insérée dans le trou de l'arbre du corps du portail, fixez le boîtier à l'aide des vis, installez le couvercle du boîtier métallique et le couvercle supérieur de la garniture.



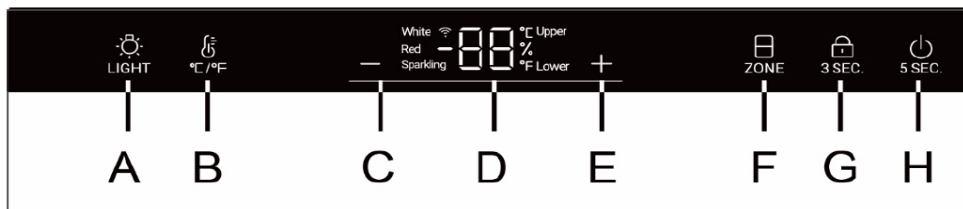
## 1. Avant la première utilisation

- ▶ Retirez tous les matériaux d'emballage. Cela inclut la base en mousse et tout le ruban adhésif tenant les accessoires de la cave à vin à l'intérieur et à l'extérieur. Gardez-les hors de portée des enfants et jetez-les d'une manière respectueuse de l'environnement.
- ▶ Nettoyez l'intérieur et l'extérieur de l'appareil avec de l'eau et un détergent doux avant d'y mettre du vin.
- ▶ Une fois l'appareil à plat et nettoyé, attendez au moins 2 heures avant de le brancher à l'alimentation électrique. Si votre cave à vin a été inclinée pour quelque raison que ce soit, attendez 24 heures avant de la brancher. Reportez-vous au paragraphe INSTALLATION.
- ▶ Une fois que vous avez branché l'appareil sur une prise électrique, laissez l'appareil fonctionner pendant au moins 30 minutes pour s'acclimater avant de procéder à des réglages.
- ▶ La température est automatiquement réglée à 12 °C. Si vous le souhaitez, vous pouvez modifier la température manuellement. Reportez-vous au paragraphe TEMPÉRATURE.

## 2. Touches tactiles

Les boutons du panneau de commande sont des touches tactiles qui réagissent lorsque le doigt les touche légèrement.

## 3. Description du panneau de commande



- |                                                     |                                                      |
|-----------------------------------------------------|------------------------------------------------------|
| A Bouton d'éclairage intérieur                      | E Bouton de réglage de la température : vers le haut |
| B Bouton de conversion °C /°F                       | F Sélection de la zone de température                |
| C Bouton de réglage de la température : vers le bas | G Bouton de verrouillage                             |
| D Affichage                                         | H Bouton d'alimentation                              |

## 4. Fonction de verrouillage automatique

Dans l'état de verrouillage de l'écran, appuyez longuement sur la touche de verrouillage pendant 3 s, l'écran affiche 3, 2 et 1, l'écran est déverrouillé et l'icône de verrouillage est à moitié allumée.

En l'absence d'opération, l'écran sera verrouillé automatiquement au bout de 30 s, dans l'état de verrouillage de l'écran, toutes les icônes de verrouillage sont allumées et les touches sur l'écran d'affichage ne peuvent pas être actionnées (sauf la touche d'éclairage) ;

## 5. Fonction bouton d'alimentation

Lorsque l'écran est éteint, appuyez sur n'importe quelle touche et l'écran s'allume. Appuyez longuement sur la touche d'alimentation, l'écran affiche 5, 4, 3, 2 et 1, et tout la machine est mise hors tension. Lorsque l'alimentation est coupée, appuyez longuement sur la touche d'alimentation pour afficher 5, 4, 3, 2, 1. L'appareil est sous tension.

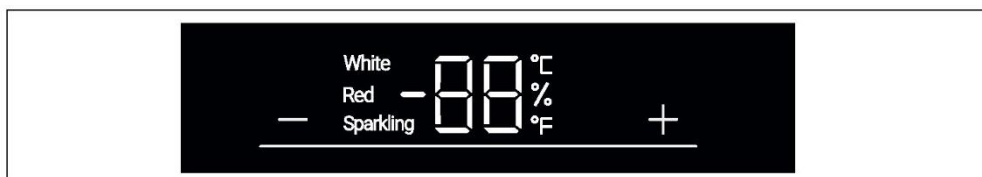
## 6. Réglage de la température



### Remarque

#### Préréglages

- ▶ Une fois que vous avez branché l'appareil sur une prise électrique, laissez à l'appareil au moins 30 minutes pour s'acclimater avant de procéder à des réglages.
- ▶ Lorsque l'appareil est allumé après avoir été débranché de l'alimentation secteur, il peut falloir plusieurs heures pour que les températures correctes soient atteintes. Le temps exact varie en fonction de l'environnement et du réglage de la température.



Appuyez sur le bouton ou , l'affichage commence à clignoter. Appuyez sur le bouton ou pour régler la température souhaitée. La plage de réglage de la température : 5-20 °C (41-68 °F). Cessez d'appuyer sur la touche pendant 3 secondes, la température est validée.

## 7. Fonction Mode ou Zone

Appuyez sur le bouton , la température passe de brillante (8 °C ou 47 °F) à blanc (12 °C ou 54 °F) et à rouge (16 °C ou 61 °F) HWS247GGU1.

Dans l'état de déverrouillage, l'icône est complètement allumée. Si l'affichage actuel se trouve dans la zone de température supérieure, l'icône supérieure est allumée et l'icône inférieure est éteinte. À ce moment-là, appuyez sur la touche , l'icône inférieure s'allume et l'icône supérieure s'éteint. HWS236GDGU1

### Paramètres de température recommandés

Les températures de dégustation suivantes sont recommandées pour les différents types de vin.

Vin rouge	+13 °C à +20 °C (+55 °F à +68 °C)	Vin mousseux Prosecco	+5 °C à +8 °C (+41 °F à 47 °F)
Vin blanc	+9 °C à +12 °C (+48 °F à +54 °F)		

Si vous conservez du vin pendant de longues périodes, il doit être conservé à une température comprise entre +10 °C et +12 °C (50 °F et +54 °F).

## 8. Mode veille

La lumière de l'écran s'atténue automatiquement pendant 30 secondes.

L'écran s'allume automatiquement lorsque n'importe quelle touche est touchée ou lorsque vous ouvrez la porte.



## Remarque

### Influence sur les températures

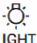

La température à l'intérieur de l'appareil est influencée par les facteurs suivants :

- ▶ Température ambiante
- ▶ Quantité de bouteilles stockées
- ▶ Fréquence d'ouverture de la porte
- ▶ L'emplacement de l'appareil


Le réglage par défaut est de 12 °C

Lorsque l'écran cesse de clignoter, il revient à l'indication de la température actuelle à l'intérieur de la cave à vin. Il faudra un certain temps pour atteindre la température définie.

## 9. Réglage du mode d'éclairage

Appuyer sur le bouton  LIGHT. Lorsque les lumières de l'armoire sont allumées, les lumières s'allument progressivement. Lorsque vous appuyez une fois de plus sur le bouton  LIGHT, les voyants s'éteignent progressivement.

## 10. Fonction °C/°F

Appuyez sur le bouton  pour basculer entre Fahrenheit et Celsius.

## 11. Fonction de mémoire en cas de coupure

En cas de coupure de courant, la cave enregistre automatiquement la température réglée. Lorsque le courant reviendra, elle fonctionnera à la température réglée avant la coupure de courant.

## 12. Fonction de compensation basse température

La cave à vin a une fonction de compensation basse température pour assurer la stabilité de la température : Lorsque la température ambiante est inférieure à la température définie, la cave à vin démarre automatiquement la fonction de compensation basse température, en chauffant l'application. Lorsque la température dans l'application atteint la température définie, la fonction de compensation basse température est automatiquement désactivée.

## 13. Alarme d'ouverture de porte

Si la porte reste ouverte pendant plus d'1 minute, un signal sonore retentit pour avertir jusqu'à ce que la porte soit fermée ou que toute touche du panneau d'affichage soit appuyée, puis le signal sonore s'interrompt.



## Conseils d'économie d'énergie

- ▶ Assurez-vous que l'appareil est bien ventilé (voir INSTALLATION).
- ▶ N'installez pas l'appareil en plein soleil ou à proximité de sources de chaleur (par ex. cuisinières, chauffages).
- ▶ Évitez une température inutilement basse dans l'appareil. Plus vous réglez bas la température de l'appareil, plus la consommation d'énergie augmente.
- ▶ Ouvrez la porte de l'appareil le moins souvent et le plus rapidement possible.
- ▶ Ne dépassez pas la quantité prévue de bouteilles pour éviter de bloquer la circulation de l'air.
- ▶ Gardez les joints de la porte propres afin que la porte se ferme toujours correctement.
- ▶ La configuration la plus économe en énergie nécessite que le tiroir, la boîte de rangement et les clayettes soient positionnés dans l'appareil dans les conditions d'usine, et que les aliments soient placés sans bloquer la sortie d'air du conduit.

## 14. Réglage du mode Wi-Fi

PARAMÈTRES DE  
CONNECTIVITÉ SANS FIL

Technologie	Wi-Fi	Bluetooth
Standard	IEEE 802.11 b/g/n	Bluetooth v4.2, BR/EDR, BLE
Bande(s) de fréquence [MHz]	2401÷2483	2402÷2480
Puissance maximale [mW]Bande(s) [MHz]	100	10

## INFORMATION PRODUIT

## Comment activer le module Wi-Fi :

- Appuyez sur le bouton lumière pendant 3 secondes pour activer le Wi-Fi
- Le module Wi-Fi est allumé l'icône Wi-Fi commence à clignoter
- Si la cave à vin est enregistrée mais que le Wi-Fi est désactivé, l'icône clignote Si la cave à vin est enregistrée et connectée, l'icône Wi-Fi est toujours allumée
- Pour réinitialiser le Wi-Fi, appuyez sur le voyant pendant 3 secondes

## DANS LA PROCÉDURE DE JUMELAGE DE L'APPLICATION

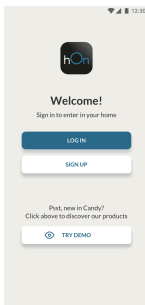
## Étape 1

- Téléchargez l'application hOn sur les stores



## Étape 2

Identifiez-vous ou inscrivez-vous



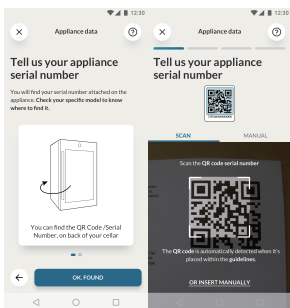
## Étape 3

- Ajoutez un nouvel appareil en sélectionnant la cave à vin dans liste



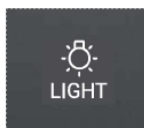
## Étape 4

· Scannez le QR ou insérez manuellement le numéro de série



## Étape 5

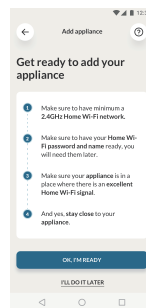
· Appuyez sur le bouton lumineux du produit pendant 3 secondes pour activer le Wi-Fi



## Étape 6

· L'icône Wi-Fi clignote, le processus d'appariement est en cours  
 · Vous aurez 5 minutes pour terminer le processus d'appariement  
 · Une fois le processus terminé, l'icône Wi-Fi cessera de clignoter et restera toujours allumée.

### REMARQUE

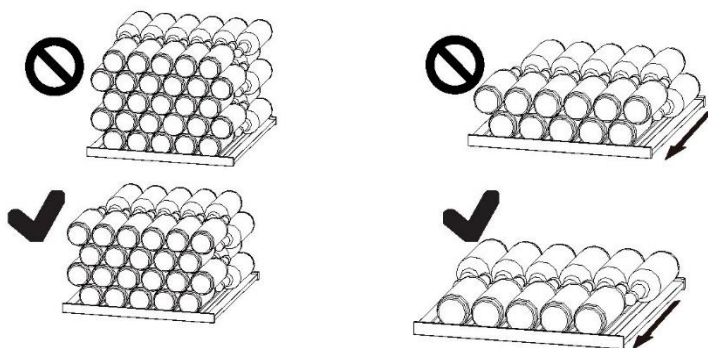


## 1. Clayette


1. Les clayettes sont conçues pour faciliter le stockage et faciliter le retrait du vin. Elles peuvent être nettoyées avec un torchon doux.
2. Les bouteilles normales d'un diamètre de 76 mm peuvent être empilées.
3. Les bouteilles Magnum peuvent être empilées sur la clayette du bas.
4. La quantité de bouteilles peut varier du nombre de bouteilles représentées si elles sont empilées d'une manière différente.

### Conseils pour le rangement de votre cave à vin

Nous recommandons de ne pas dépasser quatre couches de bouteilles de vin sur chaque clayette, tandis que la capacité d'appui des clayettes à vin ne doit pas dépasser 60 bouteilles à l'intérieur de la cave à vin. Vérifiez que les clayettes de vin soient parfaitement stables. Par ailleurs, vérifiez qu'aucune bouteille ne dépasse des clayettes afin d'éviter que les bouteilles heurtent la porte vitrée lorsque vous la fermez.



## 2. La lumière

La lumière LED à l'intérieur s'allume lorsque la porte est ouverte. Pour allumer la lumière lorsque la porte est fermée, appuyez sur le bouton  LIGHT. Pour éteindre la lumière, appuyez à nouveau sur le bouton. Pour augmenter l'efficacité énergétique, il faut éteindre la lumière lorsqu'on ne regarde pas la cave à vin.

## 3. Le verrou

Pour verrouiller la cave à vin, fermez la porte et mettez la clé dans la serrure :

- ▶ Verrouillez la porte en tournant la clé dans le sens des aiguilles d'une montre ;
- ▶ Déverrouillez la porte en tournant la clé dans le sens contraire des aiguilles d'une montre.

## 1. Dégivrage

Le dégivrage de la cave à vin se fait automatiquement ; aucune opération manuelle n'est nécessaire.

## 2. Remplacement de la lampe LED

La lampe utilise la LED comme source de lumière, avec une faible consommation d'énergie et une longue durée de vie. En cas d'anomalie, veuillez contacter le service clientèle. Reportez-vous au paragraphe SERVICE CLIENTÈLE.



### AVERTISSEMENT !

Ne remplacez pas la lampe LED vous-même. Elle ne doit être remplacée que par le fabricant ou l'agent de maintenance agréé.

### Paramètres de la lampe LED :

Tension 12 V

Puissance max : 18 W

## 3. Non-utilisation pendant une période plus longue

Débranchez le cordon d'alimentation.

Nettoyez l'appareil et les joints de la porte comme cela est décrit ci-dessus.

Gardez la porte ouverte pour éviter la formation de mauvaises odeurs à l'intérieur.

## 4. Déplacement de l'appareil

1. Retirez toutes les bouteilles et débranchez l'appareil.

2. Fixez les clayettes et les autres parties mobiles dans la cave à vin avec du ruban adhésif.

3. N'inclinez pas la cave à vin à plus de 45° pour éviter d'endommager le système de réfrigération.

## 5. Échange d'air avec filtre à charbon actif

La manière dont les vins continuent de vieillir dépend des conditions ambiantes. La qualité de l'air est donc décisive pour préserver le vin. Un filtre à charbon actif a été installé dans la partie inférieure de la paroi arrière de l'appareil pour assainir l'air ambiant.



### Remarque

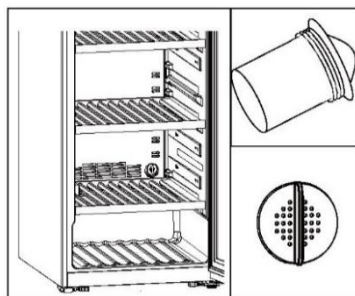
Nous vous recommandons de remplacer le filtre une fois par an. Les filtres peuvent être obtenus auprès de votre revendeur.

### Changement du filtre :

Prenez le filtre par la poignée. Tournez-le vers la gauche et retirez-le.

### Introduction du filtre :

Insérez-le avec la poignée à la verticale. Tournez-le vers la droite et insérez-le.



Vous pouvez résoudre de nombreux problèmes vous-même sans expertise spécifique. En cas de problème, veuillez vérifier toutes les possibilités indiquées et suivre les instructions ci-dessous avant de contacter un service après-vente. Reportez-vous au paragraphe SERVICE CLIENTÈLE.



### AVERTISSEMENT !

- ▶ Avant l'entretien, désactivez l'appareil et débranchez la fiche secteur de la prise secteur.
- ▶ L'équipement électrique ne doit être entretenu que par des experts électriques qualifiés, car des réparations inappropriées peuvent causer des dommages consécutifs considérables.
- ▶ Une alimentation endommagée ne devrait être remplacée que par le fabricant, son agent de maintenance ou des personnes avec une qualification similaire de manière à éviter tout danger.

Code d'erreur	Cause	Solution
L2	Alarme de température basse lorsque la température du capteur de contrôle est trop basse ;	<ol style="list-style-type: none"> <li>1. Vérifiez la température ambiante.</li> <li>2. Vérifiez le connecteur du compresseur.</li> <li>3. Vérifier la résistance du capteur de contrôle de la température.</li> </ol>
H1	Lorsque la température du capteur de contrôle est trop élevée, l'alarme de température élevée s'affiche à l'écran ;	<ol style="list-style-type: none"> <li>1. Vérifiez le connecteur du panneau de commande ou du panneau d'affichage.</li> <li>2. Vérifiez la résistance et la tension du ventilateur.</li> <li>3. Vérifiez le ventilateur et le connecteur du compresseur.</li> </ol>

Problème	Cause possible	Solution possible
Le compresseur ne fonctionne pas.	<ul style="list-style-type: none"> <li>La fiche secteur n'est pas branchée dans la prise secteur.</li> </ul>	<ul style="list-style-type: none"> <li>Branchez la fiche secteur.</li> </ul>
L'appareil fonctionne fréquemment ou fonctionne trop longtemps.	<ul style="list-style-type: none"> <li>La température extérieure est trop élevée.</li> <li>L'appareil a été hors tension pendant un certain temps.</li> <li>Une porte de l'appareil n'est pas bien fermée.</li> <li>La porte a été ouverte trop fréquemment ou trop longtemps.</li> <li>Les joints de la porte sont sales, usés, fissurés ou ne correspondent pas.</li> <li>La circulation de l'air requise n'est pas garantie.</li> <li>La température réglée est trop basse.</li> </ul>	<ul style="list-style-type: none"> <li>Dans ce cas, il est normal que l'appareil fonctionne plus longtemps.</li> <li>Normalement, il faut un moment pour que l'appareil refroidisse complètement.</li> <li>Fermez la porte et assurez-vous que l'appareil est situé sur un sol à niveau et qu'il n'y a pas d'aliment ou de récipient bloquant la porte.</li> <li>N'ouvrez pas trop souvent la porte.</li> <li>Nettoyez le joint de la porte ou faites-le remplacer par le service clientèle.</li> <li>Assurez une ventilation adéquate.</li> <li>Le problème se résoudra tout seul lorsque la température souhaitée sera atteinte.</li> </ul>
L'intérieur de la cave à vin est sale et/ou sent.	<ul style="list-style-type: none"> <li>L'intérieur de la cave a besoin de nettoyage.</li> </ul>	<ul style="list-style-type: none"> <li>Nettoyez l'intérieur de la cave à vin.</li> </ul>
Il ne fait pas suffisamment froid à l'intérieur de l'appareil.	<ul style="list-style-type: none"> <li>La température réglée est trop élevée.</li> <li>Des bouteilles ont été ajoutées récemment.</li> <li>Une porte de l'appareil n'est pas bien fermée.</li> <li>La porte a été ouverte trop fréquemment ou trop longtemps.</li> <li>Les joints de la porte sont sales, usés, fissurés ou ne correspondent pas.</li> </ul>	<ul style="list-style-type: none"> <li>Réinitialisez la température.</li> <li>Attendez que les bouteilles récemment ajoutées atteignent la température souhaitée.</li> <li>Fermez la porte.</li> <li>N'ouvrez pas trop souvent la porte.</li> <li>Nettoyez le joint de la porte ou faites-le remplacer par le service clientèle.</li> </ul>
Il fait trop froid à l'intérieur de l'appareil.	<ul style="list-style-type: none"> <li>La température réglée est trop basse.</li> </ul>	<ul style="list-style-type: none"> <li>Réinitialisez la température.</li> </ul>
Formation d'humidité à l'intérieur du compartiment du réfrigérateur.	<ul style="list-style-type: none"> <li>Le climat est trop chaud et trop humide.</li> <li>Une porte de l'appareil n'est pas bien fermée.</li> <li>La porte a été ouverte trop fréquemment ou trop longtemps.</li> </ul>	<ul style="list-style-type: none"> <li>Augmentez la température.</li> <li>Fermez la porte.</li> <li>N'ouvrez pas trop souvent la porte/le tiroir.</li> </ul>

Problème	Cause possible	Solution possible
L'humidité s'accumule sur la surface extérieure de la cave à vin.	<ul style="list-style-type: none"> <li>Le climat est trop chaud et trop humide</li> <li>La porte n'est pas fermée hermétiquement. L'air froid de l'appareil et l'air chaud à l'extérieur de celui-ci se condense.</li> </ul>	<ul style="list-style-type: none"> <li>C'est normal dans un climat humide et cela va changer lorsque l'humidité diminuera.</li> <li>Assurez-vous que la porte est bien fermée et que les joints d'étanchéité sont bien hermétiques.</li> </ul>
L'appareil émet des sons anormaux	<ul style="list-style-type: none"> <li>L'appareil n'est pas situé sur un sol plan.</li> <li>L'appareil touche un objet situé à proximité.</li> </ul>	<ul style="list-style-type: none"> <li>Réglez le pied pour mettre l'appareil à niveau.</li> <li>Retirez les objets autour de l'appareil.</li> </ul>
Un léger son similaire à celui de l'eau doit être entendu.	<ul style="list-style-type: none"> <li>Cela est normal</li> </ul>	<ul style="list-style-type: none"> <li>-</li> </ul>
Le système d'éclairage ou de refroidissement à l'intérieur ne fonctionne pas.	<ul style="list-style-type: none"> <li>La fiche secteur n'est pas branchée sur la prise secteur.</li> <li>L'alimentation n'est pas intacte.</li> <li>La lampe LED est hors service.</li> </ul>	<ul style="list-style-type: none"> <li>Branchez la fiche secteur.</li> <li>Vérifiez l'alimentation électrique de la pièce. Appelez la société d'électricité locale.</li> <li>Veillez appeler le service pour le changement</li> </ul>
Les côtés du réfrigérateur et de la bande de la porte se réchauffent	<ul style="list-style-type: none"> <li>Cela est normal.</li> </ul>	<ul style="list-style-type: none"> <li>-</li> </ul>
La porte ne se ferme pas correctement	<ul style="list-style-type: none"> <li>L'appareil n'est pas à niveau.</li> <li>La porte est bloquée.</li> </ul>	<ul style="list-style-type: none"> <li>Mettez l'appareil à niveau avec les pieds de nivellement.</li> <li>Vérifiez s'il y a des choses qui la bloquent, comme des bouteilles ou des clayettes.</li> </ul>

Pour contacter l'assistance technique, visitez notre site web :

<https://corporate.haier-europe.com/en/>

Dans la rubrique « site web », choisissez la marque de votre produit et votre pays. Vous serez redirigé vers le site web spécifique où vous trouverez le numéro de téléphone et le formulaire pour contacter l'assistance technique.

## Fiche du produit selon la réglementation UE n° 2019/2016

Marke	Haier	Haier
Model name / identifier	HWS247GGU1	HWS236GDGU1
Catégorie	Wine Cellar	Wine Cellar
Energy efficiency class	G	G
Consommation d'énergie annuelle (kWh/annum) <sup>1)</sup>	184	184
Volume de stockage(L)	450	448
Classe climatique:cet appareil est destiné à être utilisé à une température ambiante comprise entre 10 °C and 38 °C.	SN N ST	SN N ST
Emission acoustiques dans l'air(db(A) re 1pW)	C(37)	C(37)
Type d'appareil	Freestanding	Freestanding
Cet appareil est destiné à être utilisé exclusivement pour le stockage du vin.	Yes	Yes
Dimensions (L/P/H in mm)	597/714/1900	597/714/1900

Explications :

1)D'après les résultats des tests standard pendant 24 heures. La consommation réelle dépend de l'environnement réel, de la quantité de bouteilles, de la température réglée, de l'ouverture et de la fermeture de la porte, etc.

2)La consommation d'énergie nominale est la valeur obtenue en fonction de l'essai standard lorsque l'armoire à vin n'allume pas la lumière à l'intérieur.

## Normes et directives

- tempérée prolongée : « cet appareil de réfrigération est destiné à être utilisé à des températures ambiantes allant de 10 °C à 32 °C » ;
- tempérée : « cet appareil de réfrigération est destiné à être utilisé à des températures ambiantes allant de 16 °C à 32 °C » ;
- subtropicale : « cet appareil de réfrigération est destiné à être utilisé à des températures ambiantes allant de 16 °C à 38 °C » ;
- tropicale : « cet appareil de réfrigération est destiné à être utilisé à des températures ambiantes allant de 16 °C à 43 °C » ;

Ce produit satisfait aux exigences de toutes les directives CE applicables avec les normes harmonisées correspondantes, qui prévoient le marquage CE.

Nous recommandons notre Service Clientèle Haier et l'utilisation de pièces détachées d'origine. Si vous rencontrez un problème avec votre appareil, veuillez d'abord consulter le paragraphe DÉPANNAGE. Si vous ne trouvez pas de solution, veuillez contacter

- ▶ votre revendeur local ou
- ▶ l'espace Service & Assistance sur le site [www.haier.com](http://www.haier.com) où vous pouvez trouver les numéros de téléphone et les FAQ et où vous pouvez activer la demande de service.

Pour contacter notre Service, assurez-vous que vous disposez des données suivantes. Les informations se trouvent sur la plaque signalétique.

Modèle \_\_\_\_\_ N° de série \_\_\_\_\_

Vérifiez également la carte de garantie fournie avec le produit en cas de garantie. Pour toute question commerciale générale, veuillez trouver nos adresses en Europe ci-dessous :

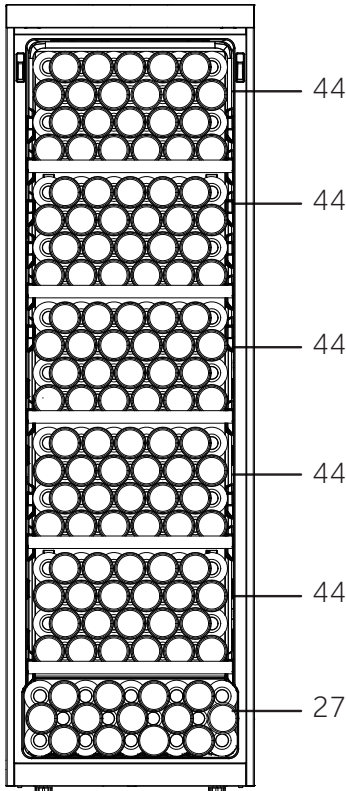
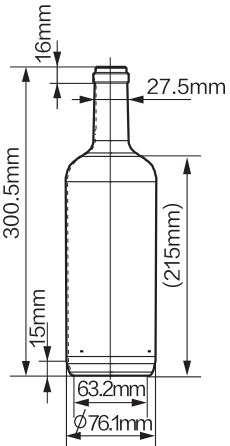
#### Adresses de Haier en Europe

Pays*	Adresse postale	Pays	Adresse postale
<b>Italie</b>	Haier Europe Trading SRL Via De Cristoforis, 12 21100 Varese ITALIE	<b>France</b>	Haier Europe Trading SRL Via De Cristoforis, 12 21100 Varese ITALIE
<b>Espagne Portugal</b>	Haier Iberia SL Pg. Garcia Faria, 49-51 08019 Barcelone ESPAGNE	<b>Belgique-FR Belgique-NL Pays-Bas Luxembourg</b>	Haier Benelux SA Anderlecht Route de Lennik 451 BELGIUM
<b>Allemagne Autriche</b>	Haier Deutschland GmbH Hewlett-Packard-Str. 4 D-61352 Bad Homburg ALLEMAGNE	<b>Pologne Tchéquie Hongrie Grèce Roumanie Russie</b>	Haier Pologne Sp. zo.o. Al. Jerozolimskie 181B 02-222 Warszawa POLOGNE
<b>Royaume- Uni</b>	Haier Appliances UK Co. Ltd. One Crown Square Church Street East Woking, Surrey, GU21 6HR ROYAUME-UNI		

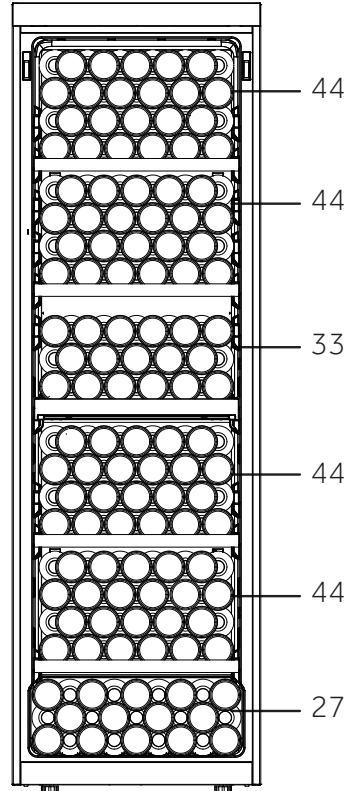
**DISPONIBILITÉ DES PIÈCES DÉTACHÉES :** Les thermostats, les capteurs de température, les circuits imprimés et les sources de lumière sont disponibles pendant une période minimale de 7 ans après la mise sur le marché de la dernière unité du modèle. Poignées de porte, charnières de porte, bacs et paniers pendant une période minimale de 7 ans et joints de porte pendant une période minimale de 10 ans, après la mise sur le marché de la dernière unité du modèle

**La garantie minimale est :** 2 ans pour les pays de l'UE, 3 ans pour la Turquie, 1 an pour le Royaume-Uni, 1 an pour la Russie, 3 ans pour la Suède, 2 ans pour la Serbie, 5 ans pour la Norvège, 1 an pour le Maroc, 6 mois pour l'Algérie, aucune garantie légale pour la Tunisie.

**Pour plus d'informations sur le produit, consultez <https://eprel.ec.europa.eu/> ou scannez le code QR sur l'étiquette énergétique fournie avec l'appareil.**



**HWS247GGU1**



**HWS236GDGU1**







Haier

Manuale d'uso

Cantinetta

HWS247GGU1  
HWS236GDGU1

IT

**Haier**

## Grazie per aver acquistato un prodotto Haier.

Leggere attentamente queste istruzioni prima di utilizzare l'elettrodomestico. Le istruzioni contengono informazioni importanti per ottimizzare l'uso dell'elettrodomestico e garantire l'installazione, l'uso e la manutenzione sicuri e corretti.

Conservare il presente manuale in un luogo comodo, in modo da poterlo sempre consultare per un uso sicuro e corretto dell'elettrodomestico.

Se l'elettrodomestico viene venduto, ceduto o abbandonato in caso di trasloco, trasferire anche il presente manuale in modo che il nuovo proprietario possa comprendere l'uso dell'elettrodomestico e delle avvertenze di sicurezza.



### Legenda

#### Avvertenza - Informazioni importanti per la sicurezza



Informazioni generali e consigli



Informazioni ambientali



### Smaltimento

Contribuire a proteggere l'ambiente e la salute umana. Collocare l'imballo in appositi contenitori affinché venga riciclato. Contribuire al riciclo dei rifiuti delle apparecchiature elettriche ed elettroniche. Non smaltire gli elettrodomestici contrassegnati con questo simbolo assieme ai rifiuti domestici. Conferire il prodotto presso la struttura di riciclo locale o rivolgersi all'ufficio comunale preposto.



## AVVERTENZA!

### Pericolo di lesioni o soffocamento!

I refrigeranti e i gas devono essere smaltiti in maniera professionale. Accertarsi che la tubazione del circuito del refrigerante non sia danneggiata prima di smaltirla correttamente. Scollegare l'elettrodomestico dalla rete elettrica. Tagliare il cavo di alimentazione e smaltirlo. Rimuovere vassoi e cassette, fermaporte e guarnizioni, per evitare che bambini e animali domestici rimangano chiusi nell'elettrodomestico.

Gli elettrodomestici vecchi possono avere ancora un valore residuo. Un metodo ecologico per lo smaltimento garantisce il recupero e il riutilizzo delle materie prime utili.

Il ciclopentano, una sostanza infiammabile che non danneggia l'ozono, viene utilizzato come espansore per la schiuma isolante.

Garantendo il corretto smaltimento del prodotto, si contribuisce a prevenire conseguenze negative per l'ambiente e per la salute umana.

Per informazioni più dettagliate sul riciclo di questo prodotto, rivolgersi alla municipalità locale, all'azienda addetta allo smaltimento dei rifiuti domestici o al punto vendita dov'è stato acquistato.

1-Informazioni per la sicurezza .....	4
2-Suggerimenti per la sicurezza.....	7
3-Manutenzione.....	11
4-Accessori .....	13
5-Descrizione del prodotto .....	14
6-Installazione .....	15
7-Utilizzo .....	19
8-Suggerimenti per il risparmio energetico.....	24
9-Dotazioni.....	25
10-Cura e pulizia.....	26
11-Soluzione dei problemi.....	27
12-Dati tecnici .....	30
13-Assistenza clienti.....	31
14-Impilaggio delle bottiglie di vino .....	32

Questo elettrodomestico deve essere utilizzato solo per la conservazione del vino. Prima di accendere l'elettrodomestico per la prima volta, leggere i seguenti consigli sulla sicurezza:



## AVVERTENZA!

### Operazioni preliminari al primo utilizzo

- ▶ Accertarsi dell'assenza di danni dovuti al trasporto.
- ▶ Rimuovere tutti gli imballi, tenerli fuori dalla portata dei bambini e smaltirli nel rispetto dell'ambiente.
- ▶ Per garantire la totale efficienza del circuito del refrigerante, attendere almeno mezz'ora prima di installare l'elettrodomestico.
- ▶ L'elettrodomestico deve essere maneggiato sempre da almeno due persone perché è pesante.

### Installazione

- ▶ Installare l'elettrodomestico in un luogo asciutto e ben ventilato. Lasciare uno spazio libero di almeno 50 mm sopra e attorno all'elettrodomestico.
- ▶ **AVVERTENZA:** le aperture di ventilazione nell'involucro dell'elettrodomestico o nella struttura a incasso devono rimanere sempre libere.
- ▶ Non collocare mai l'elettrodomestico in zone umide o soggette a schizzi d'acqua. Pulire e asciugare schizzi e macchie d'acqua con un panno morbido e pulito.
- ▶ Non installare la cantinetta in luoghi non adeguatamente isolati o riscaldati (ad es. in garage). La cantinetta non è stata progettata per funzionare con temperature ambiente inferiori a 10 °C.
- ▶ Non installare l'elettrodomestico esposto alla luce diretta del sole o in prossimità di fonti di calore (ad es. stufe o radiatori).
- ▶ Installare l'elettrodomestico a livello in un'area adatta alle dimensioni e all'uso.
- ▶ Accertarsi che i dati elettrici sulla targhetta siano conformi all'alimentazione elettrica. In caso contrario, rivolgersi a un elettricista.
- ▶ L'elettrodomestico funziona con corrente elettrica 220-240 Vca / 50 Hz. Oscillazioni anomale della tensione possono causare il mancato avvio dell'elettrodomestico, danni al controllo della temperatura o al compressore oppure rumori anomali durante il funzionamento. In tal caso, è opportuno montare un regolatore automatico.
- ▶ Non adoperare prese multiple o cavi di prolunga.

**AVVERTENZA!**

- ▶ **AVVERTENZA:** Non applicare prese multiple o alimentatori portatili sulla parte posteriore dell'elettrodomestico.
- ▶ **AVVERTENZA:** quando l'elettrodomestico viene collocato nella sede prescelta, accertarsi che il cavo di alimentazione non sia incastrato o danneggiato.
- ▶ Non calpestare il cavo di alimentazione.
- ▶ Per l'alimentazione elettrica utilizzare una presa separata collegata a terra e facilmente accessibile. L'elettrodomestico deve essere collegato a terra.
- ▶ **Solo per il Regno Unito:** il cavo di alimentazione dell'elettrodomestico è dotato di una spina a 3 conduttori (collegata a terra) adatta a una presa standard a 3 conduttori (collegata a terra). Non tagliare né smontare mai il terzo conduttore (collegamento a terra). Dopo l'installazione dell'elettrodomestico, la spina deve essere accessibile.
- ▶ **AVVERTENZA:** non danneggiare il circuito di refrigerazione.

**Utilizzo quotidiano**

- ▶ Questo elettrodomestico può essere utilizzato da bambini di almeno 8 anni, da persone con ridotte capacità fisiche, sensoriali o mentali e da persone inesperte solo sotto stretta sorveglianza o se hanno appreso le modalità di utilizzo sicuro dell'elettrodomestico e sono consapevoli dei relativi pericoli.
- ▶ Impedire ai bambini di giocare con l'elettrodomestico.
- ▶ I bambini di età da 3 a 8 anni possono riempire e svuotare gli elettrodomestici refrigeranti, ma non devono pulirli o installarli.
- ▶ Tenere lontano dall'elettrodomestico i bambini di età inferiore a 3 anni, a meno che non siano costantemente sorvegliati.
- ▶ La pulizia e la manutenzione non devono essere effettuate da bambini non sorvegliati.
- ▶ L'elettrodomestico deve essere posizionato in modo che la spina sia accessibile.
- ▶ In caso di perdite di gas illuminante o altri gas infiammabili in prossimità dell'elettrodomestico, spegnere la valvola del gas che fuoriesce, aprire porte e finestre e non staccare la spina del cavo di alimentazione dell'elettrodomestico.
- ▶ Attendere almeno 7 minuti per ricollegare l'alimentazione dopo averla scollegata.
- ▶ Non sollevare l'elettrodomestico mantenendolo per le maniglie della porta.
- ▶ Le chiavi devono essere conservate fuori dalla portata dei bambini e non vicine all'elettrodomestico, per evitare che i bambini restino chiusi all'interno dell'elettrodomestico.



## AVVERTENZA!

- ▶ Tenere presente che l'elettrodomestico è impostato per il funzionamento a un intervallo di temperatura ambiente specifico compreso tra 10 e 38 °C. L'elettrodomestico potrebbe non funzionare correttamente se lasciato per lunghi periodi a una temperatura superiore o inferiore all'intervallo indicato.
- ▶ Non collocare articoli instabili (oggetti pesanti, contenitori pieni d'acqua) sopra l'elettrodomestico, per evitare lesioni personali dovute a cadute o scosse elettriche causate dal contatto con l'acqua.
- ▶ Aprire e chiudere lo sportello solo adoperando le maniglie. La distanza tra lo sportello e il vano è molto limitata. Non collocare le mani in queste zone per evitare che le dita rimangano intrappolate. Aprire o chiudere gli sportelli dell'elettrodomestico solo quando non ci sono bambini nel raggio di movimento degli sportelli.
- ▶ Non conservare né utilizzare materiali esplosivi o corrosivi nell'elettrodomestico o nelle vicinanze.
- ▶ Non collocare sostanze esplosive (ad es. lattine di aerosol con propellente infiammabile) all'interno di questo elettrodomestico.
- ▶ Non conservare medicinali, batteri o sostanze chimiche nell'elettrodomestico. Questo apparecchio è un elettrodomestico. Si sconsiglia di conservare materiali che richiedono temperature rigide.
- ▶ Non impostare una temperatura inutilmente bassa nel vano cantinetta. Con impostazioni elevate possono crearsi temperature sotto zero. Attenzione: le bottiglie possono scoppiare.
- ▶ Non toccare la superficie interna dello scomparto dell'elettrodomestico durante il funzionamento, soprattutto con le mani bagnate, poiché le mani potrebbero congelare sulla superficie.
- ▶ Per un corretto raffreddamento del vino, non sovraccaricare l'elettrodomestico.
- ▶ In caso di blackout o prima della pulizia, scollegare l'elettrodomestico. Attendere almeno 7 minuti prima di riavviare l'elettrodomestico, poiché un avvio frequente può danneggiare il compressore.
- ▶ **AVVERTENZA:** Non adoperare apparecchiature elettriche all'interno degli scomparti per la conservazione degli alimenti, a meno che non siano del tipo consigliato dal produttore. Per evitare rischi, un cavo di alimentazione danneggiato deve essere sostituito dall'assistenza clienti (v. scheda di garanzia).
- ▶ Per prolungare la durata dell'elettrodomestico, evitare di spegnerlo.
- ▶ Non collocare mai l'elettrodomestico orizzontalmente a terra. Se l'elettrodomestico è stato inclinato di oltre 45°, attendere 24 ore prima di collegarlo.

**AVVERTENZA!****Manutenzione / pulizia**

- ▶ Accertarsi che i bambini siano sorvegliati se effettuano la pulizia e la manutenzione.
- ▶ Scollegare l'elettrodomestico dalla rete elettrica prima di effettuare operazioni di manutenzione ordinaria. Attendere almeno 7 minuti prima di riavviare l'elettrodomestico, poiché un avvio frequente può danneggiare il compressore.
- ▶ Quando si scollega l'elettrodomestico, mantenere la spina e non il cavo.
- ▶ Non pulire l'elettrodomestico con spazzole rigide, spazzole metalliche, detersivi in polvere, benzina, acetato di pentile, acetone e soluzioni organiche simili, soluzioni acide o alcaline. Per la pulizia adoperare un detersivo speciale per frigoriferi/congelatori per evitare danni. Alla fine utilizzare acqua calda e una soluzione di bicarbonato di sodio (un cucchiaino di bicarbonato di sodio per litro d'acqua). Sciacquare abbondantemente con acqua e asciugare con un panno. Non adoperare detersivi in polvere o altri detersivi abrasivi. Non lavare le parti rimovibili in lavastoviglie.
- ▶ **AVVERTENZA:** non usare oggetti meccanici o utensili diversi da quelli consigliati dal produttore per accelerare lo sbrinamento.
- ▶ Se il cavo di alimentazione è danneggiato, deve essere sostituito dal produttore, da un tecnico dell'assistenza o da una persona con analogo qualifica per evitare rischi.
- ▶ Non cercare di riparare, smontare o modificare personalmente l'elettrodomestico. Per le riparazioni rivolgersi all'assistenza clienti.
- ▶ Se le lampadine sono danneggiate, devono essere sostituite dal produttore, da un tecnico dell'assistenza o da una persona con analogo qualifica per evitare rischi.
- ▶ Eliminare la polvere sul retro dell'unità almeno una volta all'anno per scongiurare il rischio di incendio e limitare i consumi energetici.

- ▶ Non spruzzare o schizzare liquidi sull'elettrodomestico durante la pulizia.
- ▶ Per pulire questo elettrodomestico non utilizzare apparecchi a vapore.
- ▶ Non pulire lo sportello di vetro freddo con acqua calda. Un'improvvisa variazione della temperatura può causare la rottura del vetro.
- ▶ Se l'elettrodomestico deve rimanere inutilizzato per lungo tempo, lasciarlo aperto per evitare che all'interno si generino odori sgradevoli.

## Informazioni sul gas refrigerante



### AVVERTENZA!

L'elettrodomestico contiene il refrigerante infiammabile ISOBUTANO (R600a). Accertarsi che il circuito del refrigerante non abbia subito danni durante il trasporto o l'installazione. Eventuali perdite di refrigerante possono causare lesioni oculari o incendi. In caso di danni, tenere lontane fonti di fiamme libere, ventilare perfettamente l'ambiente, non collegare o scollegare i cavi di alimentazione dell'elettrodomestico o di altri elettrodomestici. Informare l'assistenza clienti.

In caso di contatto con gli occhi, sciacquare immediatamente con acqua corrente e rivolgersi immediatamente a un oculista.

**AVVERTENZA:** l'impianto di refrigerazione è ad alta pressione. Non manometterlo. Poiché sono utilizzati refrigeranti infiammabili, l'installazione, la movimentazione e la manutenzione dell'elettrodomestico devono essere effettuate attenendosi scrupolosamente alle istruzioni; per lo smaltimento dell'elettrodomestico, rivolgersi a un professionista o all'assistenza post-vendita.

### Uso previsto


Questo elettrodomestico è destinato all'uso domestico e a utilizzi simili a quelli di seguito indicati:

- Zone cucina per il personale di negozi, uffici e altri ambienti lavorativi.
  - Aziende agricole e clienti di hotel, motel e altri ambienti residenziali.
  - Bed & breakfast.
  - Catering e servizi simili non al dettaglio.
- ▶ Per garantire la conservazione sicura del vino, attenersi a queste istruzioni per l'uso.
  - ▶ L'altra parte del manuale contiene informazioni dettagliate sulla zona più appropriata nel vano dell'elettrodomestico dove conservare determinati tipi di alimenti, considerando la distribuzione della temperatura nei diversi vani dell'elettrodomestico.

Non sono consentiti cambiamenti o modifiche all'elettrodomestico. Utilizzi errati possono causare pericoli e annullare la garanzia.

## Smaltimento



Il simbolo  sul prodotto o sull'imballo indica che non può essere gestito come rifiuto domestico. Il prodotto deve essere conferito in un punto di raccolta per il riciclo delle apparecchiature elettriche ed elettroniche. Garantendo il corretto smaltimento del prodotto, è possibile evitare conseguenze negative per l'ambiente e per la salute umana dovute dalla gestione impropria dei rifiuti. Per informazioni più dettagliate sul riciclo di questo prodotto, rivolgersi all'ente locale competente, all'azienda addetta allo smaltimento dei rifiuti domestici o al punto vendita dov'è stato acquistato.

Poiché sono utilizzati gas infiammabili per l'isolamento, per lo smaltimento dell'elettrodomestico rivolgersi a un professionista o all'assistenza post-vendita.

## AVVERTENZA!

### Rischio di lesioni da soffocamento!

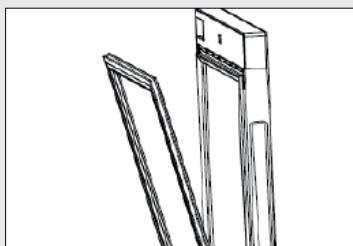
I refrigeranti e i gas devono essere smaltiti in maniera professionale. Accertarsi che la tubazione del circuito del refrigerante non sia danneggiata prima di smaltirla correttamente. Scollegare l'elettrodomestico dalla rete elettrica. Tagliare il cavo di alimentazione e smaltirlo. Rimuovere vassoi e cassette, fermaporta e guarnizioni, per evitare che bambini e animali domestici rimangano chiusi nell'elettrodomestico.

- ▶ **AVVERTENZA:** Prima di effettuare la pulizia, staccare la spina di alimentazione dell'elettrodomestico.
- ▶ Non pulire l'elettrodomestico con spazzole rigide, spazzole metalliche, detersivi, acetato, acetone e soluzioni organiche simili, soluzioni acide o alcaline. Per la pulizia adoperare un detergente speciale per frigoriferi per evitare danni.
- ▶ Pulire l'elettrodomestico quando è vuoto o quando contiene poco vino. È necessario pulirlo solo quando è sporco.
- ▶ Pulire l'interno e l'alloggiamento dell'elettrodomestico con una spugna inumidita in acqua calda e detergente neutro.
- ▶ Sciacquare con acqua calda e pulita e asciugare con un panno morbido.
- ▶ Non lavare i componenti dell'elettrodomestico in lavastoviglie.
- ▶ Attendere almeno 7 minuti prima di riavviare l'elettrodomestico, poiché un avvio frequente può danneggiare il compressore.



### **Pulire la guarnizione dello sportello:**

- ▶ Le guarnizioni dello sportello devono essere pulite ogni tre mesi per garantire una tenuta adeguata. Effettuare le seguenti operazioni:  
rimozione: afferrare la guarnizione dello sportello ed estrarla seguendo la direzione della freccia per rimuovere l'intera guarnizione dello sportello nell'ordine.  
Immergere la spazzola in acqua o alcool alimentare, pulire la scanalatura della guarnizione dello sportello tirando avanti e indietro la spazzola. Pulire, quindi, la superficie della guarnizione dello sportello con un asciugamano imbevuto di acqua o alcool alimentare. Lavare, infine, la guarnizione dello sportello e asciugarla con un asciugamano pulito.



## **Installazione della guarnizione dello sportello dopo la pulizia:**

Prima dell'installazione, accertarsi che non vi sia acqua sulla guarnizione dello sportello. Inserire la guarnizione dello sportello nella scanalatura e premerla a mano dall'alto verso il basso fino a inserire l'intera guarnizione dello sportello nella scanalatura.

## **Pulizia dei ripiani:**

- ▶ Tutti i ripiani per gli alimenti possono essere estratti per la pulizia.
- ▶ Togliere tutte le bottiglie.
- ▶ Sollevare lievemente ogni ripiano ed estrarlo.
- ▶ Pulire il ripiano con un panno morbido.
- ▶ Attendere che i ripiani siano asciutti prima di rimontarli.

## **AVVERTENZA:**

Attendere almeno 7 minuti per ricollegare l'alimentazione dopo averla scollegata.

Controllare gli accessori e la documentazione indicati nel seguente elenco: senza isolamento.

Nome	Manuale per l'utente	Scheda di servizio	Ripiano	Coperchio della cerniera	Etichetta energetica	Chiave
HWS247GGU1	1	1	5	1	1	2
HWS236GDGU1	1	1	4	1	1	2



## Avviso

A causa di modifiche tecniche e della varietà dei modelli, alcune illustrazioni riportate nel presente manuale possono essere diverse dall'aspetto reale del modello acquistato.

## Immagine dell'apparecchio



LIGHT



°C/°F



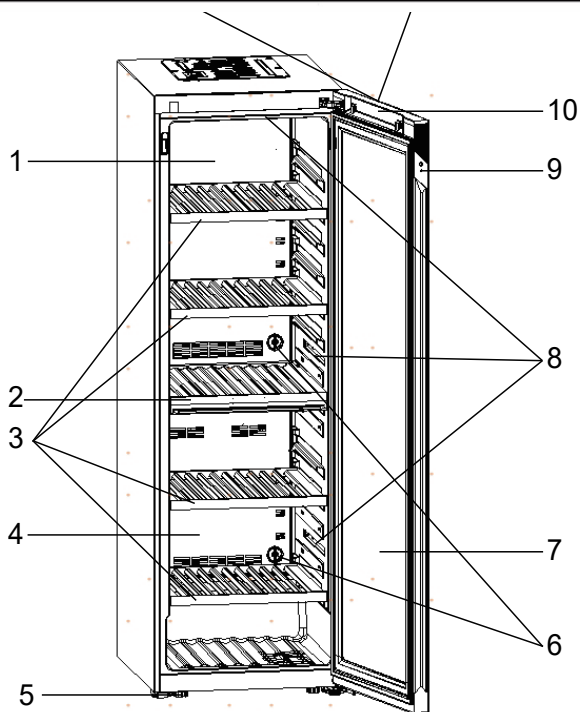
ZONE



3 SEC.



5 SEC.



(HWS236GDGU1)

- |                                                |                  |
|------------------------------------------------|------------------|
| 1. Deflettore del condotto dell'aria superiore | 6. Sportello     |
| 2. Ripiano                                     | 7. Lampada a LED |
| 3. Deflettore del condotto dell'aria inferiore | 8. Blocco        |
| 4. Piedini regolabili                          | 9. Display       |
| 5. Filtro a carboni attivi                     |                  |

## 1. Disimballo

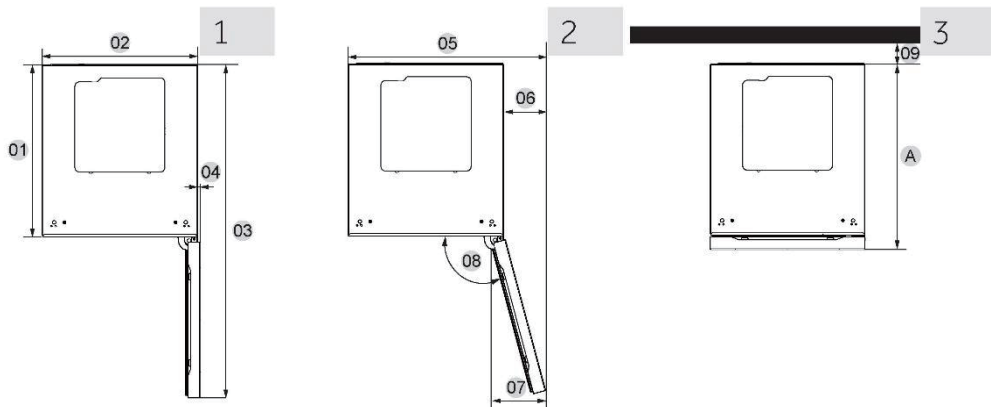
- ▶ Estrarre l'elettrodomestico dall'imballo.
- ▶ Rimuovere tutti i materiali dell'imballo, compresa la base in schiuma e tutto il nastro adesivo che fissa gli accessori.

## 2. Condizioni ambientali

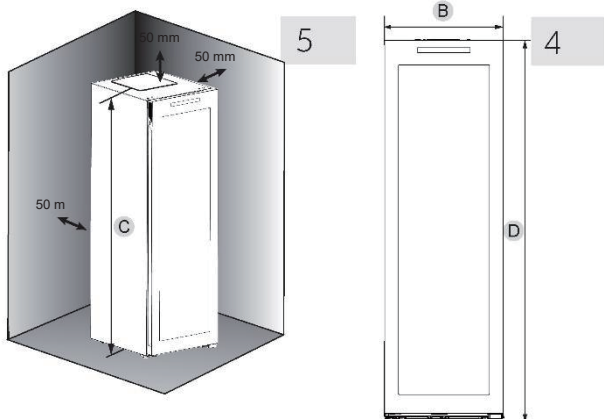
La temperatura ambiente deve essere sempre compresa tra 10 e 38 °C, poiché può influire sulla temperatura interna dell'elettrodomestico e sui consumi energetici. Non installare l'elettrodomestico vicino ad altri elettrodomestici che emettono calore (forni, frigoriferi) senza isolamento.

## 3. Requisiti di spazio

Spazio necessario per l'apertura dello sportello (Figure 1, 2, 3 e 4): per la sicurezza e il risparmio energetico, rispettare la distanza di ventilazione richiesta di 50 mm in tutte le direzioni (Fig. 5).



Measurement: mm	HWS247GGU1	HWS236GDGU1
Profondità A	714	714
Larghezza B	597	597
Altezza C	1905	1905
Altezza complessiva D	1900	1900
01	654	654
02	595	595
03	1273	1273
04	11	11
05	756	756
06	161	161
07	200	200
08	105°	105°
09	50	50





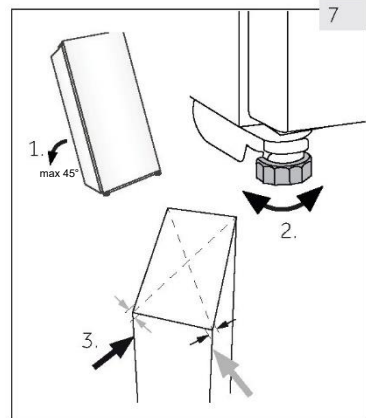
## AVVERTENZA!

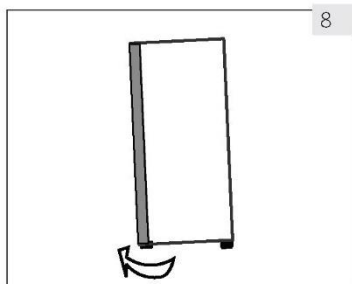
- Le aperture di ventilazione nell'elettrodomestico o nella struttura a incasso devono rimanere sempre libere. Questo elettrodomestico refrigerante non è progettato per l'installazione a incasso.

## 5. Allineamento dell'elettrodomestico

Installare l'elettrodomestico su una superficie solida e piana.

1. Inclinare lievemente all'indietro l'elettrodomestico (Fig. 7).
2. Regolare i piedini anteriori regolabili sul livello desiderato ruotandoli.
3. La stabilità può essere verificata spingendo diagonalmente l'elettrodomestico a destra e a sinistra. Il lieve ondeggiamento deve essere identico in entrambe le direzioni. In caso contrario, il telaio potrebbe deformarsi e le guarnizioni dello sportello potrebbero perdere. Una lieve inclinazione posteriore facilita la chiusura dello sportello.





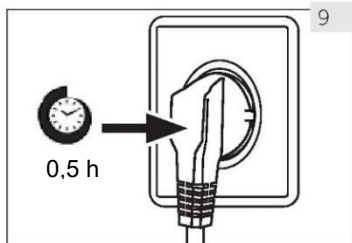
8

## 6. Regolazione precisa dello sportello

L'elettrodomestico si chiude più facilmente agendo sui i piedini di livellamento anteriori:

Ruotare i piedini regolabili (Fig. 8) per sollevarli o abbassarli:

- ▶ Ruotando i piedini in senso orario, l'elettrodomestico si solleva.
- ▶ Ruotando i piedini in senso antiorario, l'elettrodomestico si abbassa.



9

## 7. Tempo di attesa

L'olio di lubrificazione esente da manutenzione si trova nella capsula del compressore. Se l'elettrodomestico è inclinato, questo olio può percorrere il sistema di tubazioni chiuse durante il trasporto. Prima di collegare l'elettrodomestico all'alimentazione elettrica, attendere 0,5 ore (Fig. 9) in modo che l'olio torni nella capsula.

## 8. Collegamento elettrico

Prima di ogni collegamento, effettuare i seguenti controlli:

- ▶ La fonte di alimentazione, la presa e i fusibili sono conformi ai dati indicati nella targhetta.
- ▶ La presa di corrente è collegata a terra e non sono utilizzate prese multiple o prolunghie.
- ▶ La spina e la presa di corrente sono inserite correttamente.

Collegare la spina a una presa domestica installata correttamente.



### AVVERTENZA!

Per evitare rischi, un cavo di alimentazione danneggiato deve essere sostituito dall'assistenza clienti (v. scheda di garanzia).

## 9. Reversibilità dello sportello

Prima di collegare l'elettrodomestico all'alimentazione elettrica, controllare se l'apertura dello sportello deve essere invertita da destra (come consegnato) verso sinistra per facilitare l'uso.

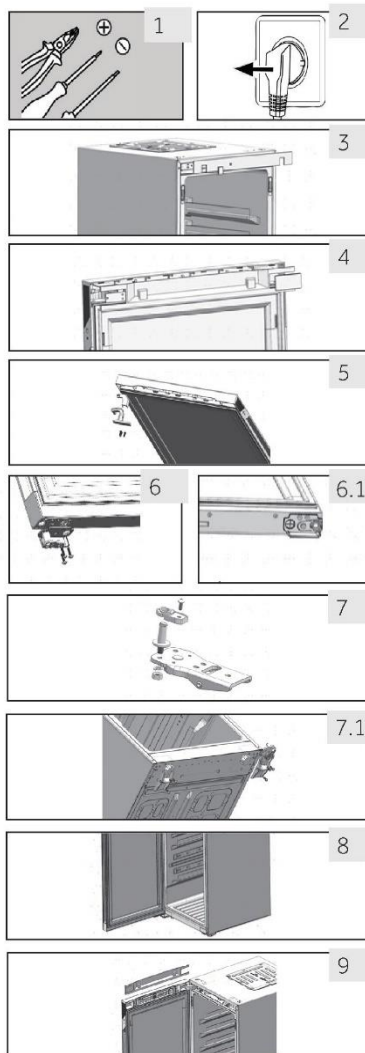


### AVVERTENZA!

- ▶ L'elettrodomestico è pesante. Per invertire lo sportello occorrono due persone.
- ▶ Prima di qualunque operazione, scollegare l'elettrodomestico dalla rete elettrica.
- ▶ Non inclinare l'elettrodomestico oltre 45° per evitare danni al sistema di raffreddamento.

## Fasi di montaggio

1. Procurarsi gli utensili necessari.
2. Staccare la spina dell'elettrodomestico.
3. Rimuovere la copertura superiore e il coperchietto, quindi procedere con l'installazione dell'inversione del coperchietto a sinistra e a destra.
4. Rimuovere il coperchio del vano cavi e il coperchio di rivestimento, quindi procedere con l'installazione dell'inver-sione del coperchio decorativo a sinistra e a destra. Rimuovere il tappo di gomma nera dal buco della serratura sinistro all'interno del corpo della porta e installarlo sul buco della serratura destro.
5. Togliere il coperchio della cerniera svitando le 3 viti e staccando lo sportello.
6. Svitare le 3 viti sotto lo sportello con l'utensile, rimuovere il meccanismo di rotazione dello sportello e l'arresto dello sportello. L'inversione a sinistra e a destra va installata sull'altro lato dello sportello.
7. Togliere il gruppo cerniera con l'utensile; rimuovere prima la camma della cerniera nel gruppo cerniera inferiore, quindi ricollocare l'asta della cerniera sul foro destro della vite e rimontare. Procedere con l'installazione dell'inversione con il gruppo di supporto della ruota girevole sul lato destro dell'elettrodomestico.
8. Lo sportello va installato verticalmente sull'asta della cerniera.
9. La cerniera inferiore va inserita nel foro dell'asta dello sportello; fissare con le viti e installare il coperchio del vano cavi e il coperchio di rivestimento superiore.



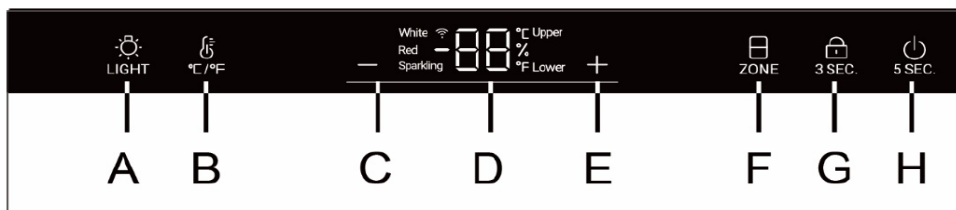
## 1. Operazioni preliminari al primo utilizzo

- ▶ Togliere tutti i materiali di imballo, compresa la base in schiuma e tutto il nastro adesivo che fissa gli accessori della cantinetta all'interno e all'esterno. Tenerli fuori dalla portata dei bambini e smaltirli nel rispetto dell'ambiente.
- ▶ Pulire l'interno e l'esterno dell'elettrodomestico con acqua e un detergente delicato prima di inserire il vino.
- ▶ Dopo l'installazione a livello e la pulizia dell'elettrodomestico, attendere almeno 2 ore prima di collegarlo all'alimentazione elettrica. Se la cantinetta è stata inclinata per un motivo qualunque, attendere 24 ore prima di collegarla. V. la sezione INSTALLAZIONE.
- ▶ Una volta collegata l'unità a una presa di corrente, prima di effettuare qualsiasi regolazione lasciarla in funzione per almeno 30 minuti per l'acclimatamento.
- ▶ La temperatura è impostata automaticamente a 12 °C, ma è possibile modificarla manualmente. V. TEMPERATURA.

## 2. Tasti a sfioramento

I pulsanti del pannello di controllo sono tasti a sfioramento che si attivano quando vengono sfiorati lievemente con un dito.

## 3. Descrizione per il pannello di controllo



- |                                                  |                                                 |
|--------------------------------------------------|-------------------------------------------------|
| A Pulsante luce interna                          | E Pulsante di regolazione della temperatura: su |
| B Pulsante di conversione °C / °F                | F Selezione della zona di temperatura           |
| C Pulsante di regolazione della temperatura: giù | G Pulsante di blocco                            |
| D Display                                        | H Pulsante di accensione                        |

## 4. Funzione di blocco automatico

Nello stato di blocco del display, tenere premuto per 3 secondi il tasto di blocco; il display indica 3, 2, 1, quindi si sblocca e l'icona di blocco si accende. Se non viene eseguita alcuna operazione, lo schermo si blocca automaticamente dopo 30 secondi. In stato di blocco dello schermo, tutte le icone dei tasti bloccati sono accese e i tasti sul display non funzionano, ad eccezione del tasto di illuminazione.

## 5. Funzione del pulsante di accensione

A schermo spento toccare un tasto qualunque per accendere il display. Tenendo premuto il tasto di accensione, il display indica 5, 4, 3, 2, 1, quindi l'elettrodomestico si spegne. Quando l'alimentazione è spenta, premere a lungo il tasto di accensione per visualizzare 5, 4, 3, 2, 1. L'alimentazione è attivata.

## 6. Impostazione della temperatura



### Avviso

#### Preimpostazioni

- Dopo aver collegato l'unità a una presa elettrica, attendere l'acclimatamento dell'unità per almeno 30 minuti prima di effettuare qualunque regolazione.
- Quando l'elettrodomestico viene acceso dopo averlo staccato dall'alimentazione elettrica, il raggiungimento delle temperature corrette potrebbe richiedere diverse ore. Il tempo esatto varia a seconda dell'ambiente e dell'impostazione della temperatura.



Premendo il tasto o pulsante, il display comincia a lampeggiare. Premere il tasto the o per impostare la temperatura desiderata. Intervallo di impostazione della temperatura: 5-20 °C (41-68 °F).

Tre secondi dopo la pressione del tasto, la temperatura viene confermata.

## 7. Funzione Modalità o Zona

Premendo il tasto si alterna temperatura per il vino frizzante (8 °C o 47 °F), il vino bianco (12 °C o 54 °F) e il vino rosso (16 °C o 61 °F). HWS247GGU1

In stato di sblocco, l'icona è accesa. Se la visualizzazione attuale è inclusa nella zona di temperatura superiore, l'icona superiore è accesa e l'icona inferiore è spenta. A questo punto, premere il tasto per accendere l'icona inferiore e spegnere quella superiore. HWS236GDGU1

### Impostazioni della temperatura consigliate

Si consiglia di impostare le seguenti temperature in base alle varie tipologie di vino.

Vino rosso	Da +13 °C a +20 °C (55-68 °F)	Vino frizzante prosecco	Da 5 a 8 °C (41-47 °F)
Vino bianco	Da +9 a +12 °C (48-54 °F)		

Se si conserva il vino per lunghi periodi di tempo, si consiglia una temperatura compresa tra 10 e 12 °C (50-54 °F).

## 8. Modalità standby

Lo schermo del display si attenua automaticamente dopo 30 secondi.

Si accende automaticamente quando si tocca un tasto qualsiasi o si apre lo sportello.



## Avviso

### Effetti sulle temperature

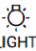
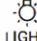
La temperatura nell'elettrodomestico dipende dai seguenti fattori:

- ▶ Temperatura ambiente
- ▶ Frequenza di apertura dello sportello
- ▶ Quantità di bottiglie immagazzinate
- ▶ Posizione dell'elettrodomestico

L'impostazione predefinita è 12 °C

Quando il display smette di lampeggiare, torna a indicare la temperatura corrente nella cantinetta. Per raggiungere la temperatura impostata occorrerà un po' di tempo.

## 9. Impostazione della modalità di illuminazione

Premere il pulsante  LIGHT. Quando le luci nel vano vengono accese, si accendono gradualmente. Premendo nuovamente il pulsante  LIGHT, le luci si spengono gradualmente.

## 10. Funzione °C/°F

Premere il pulsante  per commutare gradi Fahrenheit e Celsius.

## 11. Funzione di memoria di spegnimento

In caso di blackout, la cantinetta memorizza automaticamente la temperatura impostata. Al ripristino dell'alimentazione, verrà ripristinata la temperatura impostata prima del blackout.

## 12. Funzione di compensazione bassa temperatura

Per garantire una temperatura stabile, la cantinetta include una funzione di compensazione bassa temperatura: Quando la temperatura ambiente è inferiore a quella impostata, la cantinetta attiva automaticamente la funzione di compensazione bassa temperatura, riscaldando l'elettrodomestico. Al raggiungimento della temperatura impostata dell'elettrodomestico, la funzione di compensazione bassa temperatura si disattiva automaticamente.

## 13. Allarme sportello aperto

Se lo sportello viene tenuto aperto per più di 1 minuto, viene emesso un segnale acustico di allarme che si disattiva quando lo sportello viene chiuso o quando si preme un tasto qualunque sul pannello del display.



### Suggerimenti per il risparmio energetico

- ▶ Accertarsi che l'elettrodomestico sia adeguatamente ventilato (v. INSTALLAZIONE).
- ▶ Non installare l'elettrodomestico esposto alla luce diretta del sole o in prossimità di fonti di calore (ad es. stufe o radiatori).
- ▶ Evitare che la temperatura dell'elettrodomestico sia inutilmente bassa. Riducendo la temperatura impostata nell'elettrodomestico, il consumo energetico aumenta.
- ▶ Aprire lo sportello dell'elettrodomestico senza spalancarlo e per il più breve tempo possibile.
- ▶ Per evitare ostruzioni del flusso d'aria, non superare la quantità di bottiglie indicata.
- ▶ Mantenere pulite le guarnizioni dello sportello in modo che si chiuda sempre perfettamente.
- ▶ Per ottimizzare il risparmio energetico, collocare nell'elettrodomestico i cassetti, i contenitori degli alimenti e i ripiani, e riporre gli alimenti senza ostruire l'uscita dell'aria del condotto.

## 14. Impostazione della modalità Wi-Fi

### CONNETTIVITÀ WIRELESS PARAMETRI

Tecnologia	Wi-Fi	Bluetooth
Standard	IEEE 802.11 b/g/n	Bluetooth v4.2, BR/EDR, BLE
Banda/e di frequenza [MHz]	2401÷2483	2402÷2480
Potenza massima [mW]Banda/e [MHz]	100	10

### INFORMAZIONI SUL PRODOTTO

#### Come attivare il modulo Wi-Fi:

- Premere il pulsante luce per 3 secondi per attivare il Wi-Fi
  - Il modulo Wi-Fi è acceso l'icona Wi-Fi inizia a lampeggiare
  - Se la cantina è registrata ma il Wi-Fi è spento l'icona lampeggerà
  - Se la cantina è iscritta e connessa l'icona Wi-Fi è sempre accesa
- Per ripristinare il Wi-Fi premere la spia per 3 secondi

### NELLA PROCEDURA DI ABBINAMENTO DELL'APP

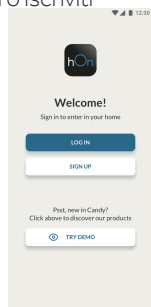
#### Step 1

- Scarica l'app hOn sugli store



#### Step 2

- Accedi o iscriviti



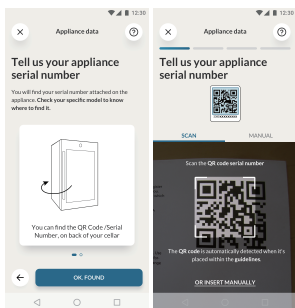
#### Step 3

- Aggiungi un nuovo elettrodomestico selezionando la cantina dall'elenco



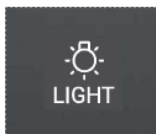
## Step 4

- Scansiona il QR o inserisci manualmente il numero di serie



## Step 5

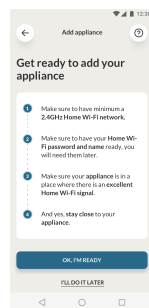
- Premere il pulsante della luce sul prodotto per 3 secondi per attivare il Wi-Fi



## Step 6

- L'icona Wi-Fi lampeggerà, il processo di associazione è in corso
- Avrai 5 minuti per completare il processo di associazione
- Al termine del processo l'icona Wi-Fi smetterà di lampeggiare e rimarrà sempre accesa

## NOTE

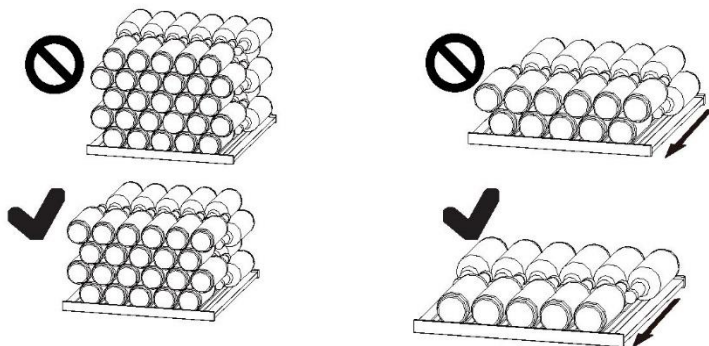


## 1. Ripiano


1. I ripiani sono progettati per facilitare la conservazione e la rimozione del vino. Possono essere puliti con un asciugamano morbido.
2. Le bottiglie normali con diametro di 76 mm possono essere impilate.
3. Le bottiglie magnum possono essere impilate sul ripiano inferiore.
4. La quantità può variare rispetto al numero o alle bottiglie raffigurate, se impilate in modo diverso.

### Consigli per organizzare la cantinetta

È preferibile non conservare più di quattro strati di bottiglie di vino su ogni ripiano; il carico sui ripiani del vino nella cantinetta non deve essere superiore a 60 bottiglie. Accertarsi che i ripiani del vino siano perfettamente stabili. Accertarsi, inoltre che le bottiglie non sporgano dai ripiani, per evitare che urtino sullo sportello in vetro quando viene chiuso.



## 2. Luce

La luce interna a LED si accende quando si apre lo sportello. Per accendere la luce con lo sportello chiuso, toccare il pulsante . Per spegnere le luci, toccare nuovamente il pulsante. Per incrementare l'efficienza energetica, spegnere le luci quando la cantinetta non è a vista.

## 3. Serratura

Per chiudere a chiave la cantinetta, chiudere lo sportello e inserire la chiave nella serratura:

- ▶ Bloccare lo sportello ruotando la chiave in senso orario.
- ▶ Sbloccare lo sportello ruotando la chiave in senso antiorario.

## 1. Sbrinamento

Lo sbrinamento della cantinetta avviene in modo automatico e non richiede alcuna operazione manuale.

## 2. Sostituzione della lampada a LED

La lampada utilizza una sorgente luminosa a LED, che riduce i consumi energetici e garantisce una lunga durata. In caso di anomalie, rivolgersi all'assistenza clienti. V. ASSISTENZA CLIENTI.



### AVVERTENZA!

Non sostituire personalmente la lampada a LED. La lampada a LED deve essere sostituita solo dal produttore o da un tecnico dell'assistenza autorizzato.

## Parametri della lampada a LED:

Tensione 12 V

Potenza max 18 W

## 3. Inutilizzo per lunghi periodi

Scollegare il cavo di alimentazione.

Pulire l'elettrodomestico e le guarnizioni dello sportello come descritto precedentemente.

Lasciare lo sportello aperto per evitare la produzione di cattivi odori all'interno.

## 4. Spostamento dell'elettrodomestico

1. Togliere tutte le bottiglie e scollegare l'elettrodomestico.

2. Fissare con nastro adesivo i ripiani e le altre parti mobili nella cantinetta.

3. Non inclinare la cantinetta oltre 45° per evitare di danneggiare il sistema di refrigerazione.

## 5. Ricambio dell'aria con filtro ai carboni attivi

La modalità con cui i vini continuano a maturare dipende dalle condizioni ambientali. La qualità dell'aria, quindi, è determinante per la conservazione del vino. Nella parte inferiore della parete posteriore dell'elettrodomestico è applicato un filtro ai carboni attivi per garantire sempre una qualità ottimale.



### Avviso

Si consiglia di sostituire il filtro una volta all'anno. I filtri sono disponibili presso il rivenditore.

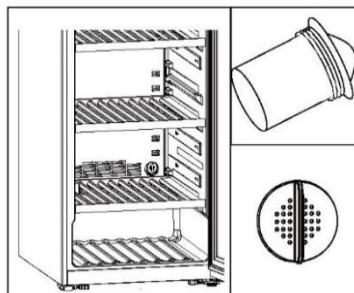
## Sostituzione del filtro:

Afferrare il filtro per il manico. Ruotarlo a sinistra e rimuoverlo.

## Inserimento del filtro:

Inserirlo con la maniglia in posizione verticale.

Ruotarlo a destra e inserirlo.



Molti problemi possono essere risolti personalmente senza particolari competenze. In caso di problemi, consultare tutte le soluzioni possibili indicate e attenersi alle seguenti istruzioni prima di contattare l'assistenza post-vendita. V. ASSISTENZA CLIENTI.



### AVVERTENZA!

- ▶ Prima di effettuare la manutenzione dell'elettrodomestico, spegnerlo e staccare la spina dalla presa di corrente.
- ▶ La manutenzione delle apparecchiature elettriche deve essere effettuata solo da elettricisti qualificati, dal momento che eventuali riparazioni improprie possono causare danni notevoli.
- ▶ Se il cavo di alimentazione è danneggiato, deve essere sostituito unicamente dal produttore, da un tecnico dell'assistenza o da una persona con analogha qualifica per evitare rischi.

Codice di errore	Causa	Soluzione
L2	Allarme di temperatura bassa quando la temperatura del sensore di controllo è troppo bassa.	<ol style="list-style-type: none"> <li>1. Controllare la temperatura ambiente.</li> <li>2. Controllare il connettore del compressore.</li> <li>3. Controllare la resistenza del sensore di controllo della temperatura.</li> </ol>
H1	Quando la temperatura del sensore di controllo è troppo alta, il display visualizza l'allarme di temperatura alta.	<ol style="list-style-type: none"> <li>1. Controllare il connettore della scheda di controllo o il pannello del display.</li> <li>2. Controllare la resistenza e la tensione della ventola.</li> <li>3. Controllare la ventola e il connettore del compressore.</li> </ol>

Problema	Causa possibile	Soluzione possibile
Il compressore non funziona.	<ul style="list-style-type: none"> <li>La spina non è collegata alla presa di corrente.</li> </ul>	<ul style="list-style-type: none"> <li>Collegare la spina alla presa di corrente.</li> </ul>
L'elettrodomestico si aziona frequentemente o per un periodo di tempo troppo lungo.	<ul style="list-style-type: none"> <li>La temperatura esterna è troppo elevata.</li> <li>L'elettrodomestico è rimasto spento per un certo periodo di tempo.</li> <li>Uno sportello dell'elettrodomestico non è chiuso ermeticamente.</li> <li>Lo sportello è stato aperto troppo spesso o troppo a lungo.</li> <li>Le guarnizioni dello sportello sono sporche, usurate, danneggiate o inadeguate.</li> <li>Non è garantita la circolazione dell'aria necessaria.</li> <li>La temperatura impostata è troppo bassa.</li> </ul>	<ul style="list-style-type: none"> <li>In questo caso è normale che l'elettrodomestico rimanga in funzione più a lungo.</li> <li>Normalmente occorre un po' di tempo prima che l'elettrodomestico si raffreddi completamente.</li> <li>Chiudere lo sportello e accertarsi che l'elettrodomestico sia a livello e che non vi siano alimenti o contenitori che possano urtare lo sportello.</li> <li>Non aprire lo sportello troppo spesso.</li> <li>Pulire la guarnizione dello sportello o farla sostituire dall'assistenza clienti.</li> <li>Garantire un'adeguata ventilazione.</li> <li>Una volta raggiunta la temperatura desiderata, il problema si risolverà automaticamente.</li> </ul>
L'interno della cantinetta è sporco e/o sono presenti cattivi odori.	<ul style="list-style-type: none"> <li>L'interno della cantinetta deve essere pulito.</li> </ul>	<ul style="list-style-type: none"> <li>Pulire l'interno della cantinetta.</li> </ul>
La temperatura nell'elettrodomestico non è sufficientemente bassa.	<ul style="list-style-type: none"> <li>La temperatura impostata è troppo alta.</li> <li>Sono state aggiunte bottiglie recentemente.</li> <li>Uno sportello dell'elettrodomestico non è chiuso ermeticamente.</li> <li>Lo sportello è stato aperto troppo spesso o troppo a lungo.</li> <li>Le guarnizioni dello sportello sono sporche, usurate, danneggiate o inadeguate.</li> </ul>	<ul style="list-style-type: none"> <li>Reimpostare la temperatura.</li> <li>Attendere che le bottiglie aggiunte recentemente raggiungano la temperatura desiderata.</li> <li>Chiudere lo sportello.</li> <li>Non aprire lo sportello troppo spesso.</li> <li>Pulire la guarnizione dello sportello o farla sostituire dall'assistenza clienti.</li> </ul>
La temperatura nell'elettrodomestico è troppo bassa.	<ul style="list-style-type: none"> <li>La temperatura impostata è troppo bassa.</li> </ul>	<ul style="list-style-type: none"> <li>Reimpostare la temperatura.</li> </ul>
Formazione di umidità all'interno del vano frigorifero.	<ul style="list-style-type: none"> <li>Il clima è troppo caldo e troppo umido.</li> <li>Uno sportello dell'elettrodomestico non è chiuso ermeticamente.</li> <li>Lo sportello è stato aperto troppo spesso o troppo a lungo.</li> </ul>	<ul style="list-style-type: none"> <li>Aumentare la temperatura.</li> <li>Chiudere lo sportello.</li> <li>Non aprire lo sportello o il cassetto troppo spesso.</li> </ul>

Problema	Causa possibile	Soluzione possibile
Si accumula umidità sulla superficie esterna della cantinetta.	<ul style="list-style-type: none"> <li>Il clima è troppo caldo e troppo umido.</li> <li>Lo sportello non è chiuso ermeticamente. L'aria fredda all'interno dell'elettrodomestico e l'aria calda all'esterno formano condensa.</li> </ul>	<ul style="list-style-type: none"> <li>Ciò è normale in un clima umido; la situazione cambia quando l'umidità diminuisce.</li> <li>Accertarsi che lo sportello sia chiuso ermeticamente e controllare la tenuta delle guarnizioni.</li> </ul>
L'elettrodomestico emette suoni anomali.	<ul style="list-style-type: none"> <li>L'elettrodomestico non è a livello.</li> <li>L'elettrodomestico urta qualche oggetto vicino.</li> </ul>	<ul style="list-style-type: none"> <li>Regolare i piedini per collocare l'elettrodomestico a livello.</li> <li>Rimuovere gli oggetti attorno all'elettrodomestico.</li> </ul>
Si sente un lieve rumore, simile a quello dell'acqua che scorre.	<ul style="list-style-type: none"> <li>È normale</li> </ul>	<ul style="list-style-type: none"> <li>-</li> </ul>
L'illuminazione interna o il sistema di raffreddamento non funziona.	<ul style="list-style-type: none"> <li>La spina non è collegata alla presa di corrente.</li> <li>Problema della fonte di alimentazione.</li> <li>La lampada a LED è fuori uso.</li> </ul>	<ul style="list-style-type: none"> <li>Collegare la spina alla presa di corrente.</li> <li>Controllare l'alimentazione elettrica. Chiamare l'azienda elettrica locale.</li> <li>Chiamare l'assistenza per la sostituzione.</li> </ul>
I lati del refrigeratore e la striscia dello sportello si riscaldano	<ul style="list-style-type: none"> <li>È normale.</li> </ul>	<ul style="list-style-type: none"> <li>-</li> </ul>
Lo sportello non si chiude correttamente.	<ul style="list-style-type: none"> <li>L'elettrodomestico non è a livello.</li> <li>Lo sportello è bloccato.</li> </ul>	<ul style="list-style-type: none"> <li>Mettere a livello l'elettrodomestico agendo sui piedini di livellamento.</li> <li>Accertarsi dell'assenza di ostruzioni (ad es. bottiglie o ripiani).</li> </ul>

Per contattare l'assistenza tecnica, visitare il nostro sito web:

<https://corporate.haier-europe.com/en/>

Nella sezione "sito web", scegliere la marca del proprio prodotto e il proprio paese. Si aprirà il sito web specifico contenente il numero di telefono e il modulo per contattare l'assistenza tecnica.

Specifiche del prodotto secondo il regolamento UE n. 2019/2016

Marca	Haier	Haier
Nome / identificativo del modello	HWS247GGU1	HWS236GDGU1
Categoria	Wine Cellar	Wine Cellar
Classe di efficienza energetica	G	G
Consumo energetico annuo (kWh/anno) <sup>1)</sup>	184	184
Volume di stoccaggio (litri)	450	448
Classe climatica: temperature ambiente comprese tra 10 e 38 °C	SN N ST	SN N ST
Emissioni acustiche (db(A) re 1pW)	C(37)	C(37)
Tipo di elettrodomestico	Freestanding	Freestanding
Questo elettrodomestico deve essere utilizzato solo per la conservazione del vino	Si	Si
Dimensioni (W/D/H in mm)	597/714/1900	597/714/1900

Descrizioni:

1) Sulla base dei risultati di test standard per 24 ore. Il consumo energetico effettivo dipende dall'ambiente reale, dalla quantità di bottiglie conservate, dalla temperatura impostata, dall'apertura e chiusura dello sportello ecc.

2) Il consumo energetico nominale è il valore ottenuto secondo la prova standard con la luce interna della cantinetta spenta.

- temperata estesa: "Questo elettrodomestico è destinato all'uso con temperature ambiente comprese tra 10 e 32 °C"
- temperata: "Questo elettrodomestico è destinato all'uso con temperature ambiente comprese tra 16 e 32 °C".
- subtropicale: "Questo elettrodomestico è destinato all'uso con temperature ambiente comprese tra 16 e 38 °C".
- tropicale: "Questo elettrodomestico è destinato all'uso con temperature ambiente comprese tra 16 e 43 °C".

## Norme e direttive

Questo prodotto è conforme ai requisiti di tutte le direttive CE vigenti con le corrispondenti norme armonizzate che prevedono il marchio CE.

Si consiglia di rivolgersi all'Assistenza Clienti Haier e di utilizzare ricambi originali. In caso di problemi con l'elettrodomestico, consultare prima la sezione SOLUZIONE DEI PROBLEMI. Se non si riesce a trovare una soluzione, contattare

- ▶ il rivenditore locale o
- ▶ l'area Service & Support su [www.haier.com](http://www.haier.com), che riporta numeri di telefono e domande frequenti, e le istruzioni per rivendicare la garanzia.

Per contattare l'assistenza, procurarsi i dati seguenti.

Le informazioni si trovano sulla targhetta.

Modello \_\_\_\_\_ N. di serie \_\_\_\_\_

Controllare anche la scheda di garanzia fornita con il prodotto. Per richieste di carattere generico, di seguito sono riportati i nostri indirizzi in Europa:

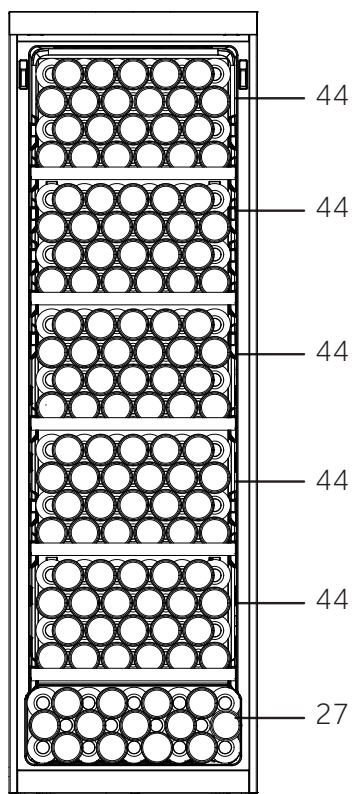
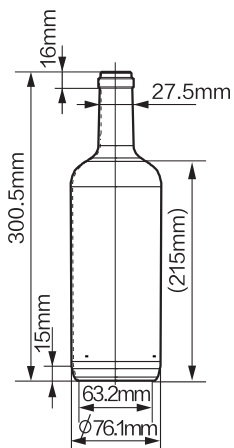
#### Indirizzi Haier europei

Paese*	Indirizzo postale	Paese	Indirizzo postale
<b>Italia</b>	Haier Europe Trading SRL Via De Cristoforis, 12 21100 Varese ITALIA	<b>Francia</b>	Haier Europe Trading SRL Via De Cristoforis, 12 21100 Varese ITALIA
<b>Spagna</b>	Haier Iberia SL Pg. Garcia Faria, 49-51 08019 Barcellona SPAGNA	<b>Belgio (FR)</b> <b>Belgio (NL)</b> <b>Paesi Bassi</b> <b>Lussemburgo</b>	Haier Benelux SA Anderlecht Route de Lennik 451 BELGIO
<b>Germania</b> <b>Austria</b>	Haier Deutschland GmbH Hewlett-Packard-Str. 4 D-61352 Bad Homburg GERMANIA	<b>Polonia</b> <b>Repubblica Ceca</b> <b>Ungheria</b>	Haier Poland Sp. zo.o. Al. Jerozolimskie 181B 02-222 Varsavia POLONIA
<b>Regno Unito</b>	Haier Appliances UK Co. Ltd. One Crown Square Church Street East Woking, Surrey, GU21 6HR UK	<b>Grecia</b> <b>Romania</b> <b>Russia</b>	

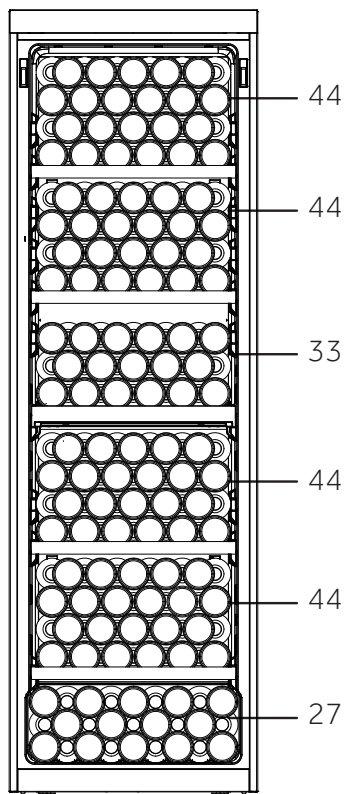
**DISPONIBILITÀ DEI RICAMBI:** Termostati, sensori di temperatura, circuiti stampati e lampade rimangono disponibili per almeno sette anni dopo l'immissione sul mercato dell'ultima unità del modello. Maniglie e cerniere degli sportelli, vassoi e cestelli rimangono disponibili per almeno di sette anni e le guarnizioni degli sportelli per almeno dieci anni dopo l'immissione sul mercato dell'ultima unità del modello.

**Garanzia minima:** 2 anni per i paesi UE, 3 anni per la Turchia, 1 anno per il Regno Unito, 1 anno per la Russia, 3 anni per la Svezia, 2 anni per la Serbia, 5 anni per la Norvegia, 1 anno per il Marocco, 6 mesi per l'Algeria; per la Tunisia non è obbligatoria alcuna garanzia legale.

Per ulteriori informazioni sul prodotto, consultare <https://eprel.ec.europa.eu/> o effettuare una scansione del codice QR apposto sull'etichetta energetica fornita con l'elettrodomestico.



**HWS247GGU1**



**HWS236GDGU1**







Haier

# Manual de usuario

Bodega de vino

HWS247GGU1

HWS236GDGU1

ES

**Haier**

## Gracias por comprar un producto Haier.

Lea atentamente estas instrucciones antes de utilizar este electrodoméstico. Las instrucciones contienen información importante que le ayudará a sacar el máximo provecho del electrodoméstico y a garantizar una instalación, uso y mantenimiento seguros y adecuados.

Guarde este manual en un lugar accesible para que siempre pueda consultarlo para el uso seguro y adecuado del electrodoméstico.

Si usted vende el electrodoméstico, lo dona o lo deja atrás al mudarse, asegúrese de dejar también este manual para que el nuevo propietario pueda familiarizarse con el electrodoméstico y las advertencias de seguridad.



### Leyenda

#### Advertencia: Información de seguridad importante



Información general y consejos



Información medioambiental



### Eliminación

Ayude a proteger el medio ambiente y la salud humana. Tire el embalaje en los contenedores correspondientes para reciclarlo. Ayude a reciclar los residuos de aparatos eléctricos y electrónicos. No deseche los aparatos marcados con este símbolo con los residuos domésticos. Lleve el producto a su planta de reciclaje local o póngase en contacto con su oficina municipal.



## ADVERTENCIA

### ¡Peligro de lesiones o asfixia!

Los refrigerantes y los gases deben desecharse de forma profesional. Asegúrese de que la tubería del circuito refrigerante no está dañada antes de desecharla adecuadamente. Desconecte el electrodoméstico de la red eléctrica. Corte el cable de red y deséchelo. Retire las bandejas y los cajones, así como el pestillo de la puerta y las juntas, para evitar que los niños y las mascotas se queden encerrados en el electrodoméstico.

Los electrodomésticos viejos todavía tienen algún valor residual. Un método de eliminación respetuoso con el medio ambiente garantizará que las valiosas materias primas puedan recuperarse y volver a utilizarse.

El ciclopentano, una sustancia inflamable que no daña el ozono, se utiliza como expansor para la espuma aislante.

Al garantizar que este producto se desecha correctamente, ayudará a prevenir posibles consecuencias negativas para el medio ambiente y la salud humana.

Para obtener información más detallada sobre el reciclaje de este producto, póngase en contacto con los profesionales de su ayuntamiento, su servicio de eliminación de residuos domésticos o la tienda donde compró el producto.

1- Información de seguridad.....	4
2- Consejos de seguridad.....	7
3- Mantenimiento.....	11
4- Accesorios.....	13
5- Descripción del producto.....	14
6- Instalación.....	15
7- Uso.....	19
8- Consejos para ahorrar energía.....	24
9- Equipo.....	25
10- Cuidado y limpieza.....	26
11- Solución de problemas.....	27
12- Datos técnicos.....	30
13- Atención al cliente.....	31
14- Apilamiento de las botellas de vino.....	32

Este electrodoméstico está destinado a ser utilizado exclusivamente para el almacenamiento de vino. Antes de encender el electrodoméstico por primera vez, lea las siguientes directrices de seguridad:



## ADVERTENCIA

### Antes del primer uso

- ▶ Asegúrese de que no haya daños causados por el transporte.
- ▶ Retire todo el embalaje, manténgalo fuera del alcance de los niños y deséchelo de forma respetuosa con el medio ambiente.
- ▶ Espere al menos media hora antes de instalar el electrodoméstico para garantizar que el circuito refrigerante es totalmente eficiente.
- ▶ Este electrodoméstico es pesado: manipúlelo con la ayuda de otra persona.

### Instalación

- ▶ Este electrodoméstico debe colocarse en un lugar bien ventilado. Asegúrese de dejar un espacio libre de al menos 50mm por encima y alrededor del electrodoméstico.
- ▶ **ADVERTENCIA:** No obstruya las aberturas de ventilación del armazón del electrodoméstico o de la estructura integrada.
- ▶ No coloque el electrodoméstico en un área húmeda o en un lugar donde pueda recibir salpicaduras de agua. Limpie y seque las salpicaduras y manchas con un paño suave y limpio.
- ▶ No instale su bodega en ninguna ubicación que no haya sido adecuadamente aislada o calentada, p.ej.: un garaje, etc. Su bodega no está diseñada para funcionar a una temperatura ambiente inferior a 10°C.
- ▶ No instale el electrodoméstico bajo la luz directa del sol o cerca de fuentes de calor (p. ej.: fogones, estufas...).
- ▶ Instale y nivele el electrodoméstico en un lugar adecuado para su tamaño y uso.
- ▶ Asegúrese de que la información eléctrica de la placa de características técnicas coincida con la fuente de alimentación. Si no es así, póngase en contacto con un electricista.
- ▶ Este electrodoméstico funciona mediante una fuente de alimentación de 220-240 V CA/50 Hz. Una fluctuación anormal del voltaje puede provocar que el electrodoméstico no se ponga en marcha, o que se dañe el control de temperatura o el compresor, o que se oiga un ruido anormal durante el funcionamiento. En tal caso, se deberá instalar un regulador automático.
- ▶ No utilice adaptadores de múltiples contactos ni cables de extensión.



## ADVERTENCIA

- ▶ **ADVERTENCIA:** No coloque múltiples tomas de corriente portátiles ni fuentes de alimentación portátiles en la parte trasera del electrodoméstico.
- ▶ **ADVERTENCIA:** Al posicionar el electrodoméstico, asegúrese de que el cable de alimentación no está atrapado o dañado.
- ▶ No oprima el cable de alimentación.
- ▶ Utilice una toma de corriente a tierra separada para la fuente de alimentación a la que se pueda acceder fácilmente. Este electrodoméstico debe conectarse a tierra.
- ▶ **Solo para el Reino Unido:** El cable de alimentación de este electrodoméstico está equipado con un enchufe de 3 cables (a tierra) que se ajusta a una toma de corriente estándar de 3 cables (a tierra). No corte ni desmonte la tercera patilla (toma de tierra). Una vez instalado el electrodoméstico, el enchufe debe ser accesible.
- ▶ **ADVERTENCIA:** No dañe el circuito del refrigerante.

## Uso diario

- ▶ Este electrodoméstico puede ser utilizado por niños a partir de 8 años y por personas con capacidades físicas, sensoriales o mentales reducidas, o sin experiencia o conocimientos previos, siempre y cuando hayan recibido la supervisión y las instrucciones necesarias para utilizar el electrodoméstico de forma segura y comprendan los riesgos que implica.
- ▶ Los niños no deben jugar con este electrodoméstico.
- ▶ Se permite que los niños de 3 a 8 años llenen y vacíen electrodomésticos de refrigeración, pero no están autorizados a limpiarlos e instalarlos.
- ▶ Mantenga alejados del electrodoméstico a los niños menores de 3 años a menos que estén constantemente supervisados.
- ▶ La limpieza y el mantenimiento del usuario no deben ser realizados por niños sin supervisión.
- ▶ El electrodoméstico debe colocarse de forma que el enchufe sea accesible.
- ▶ Si se filtra gas de hulla u otro gas inflamable en las proximidades del electrodoméstico, apague la válvula del gas filtrado, abra las puertas y ventanas y no desconecte el cable de alimentación del electrodoméstico.
- ▶ Espere al menos 7 minutos antes de volver conectar la alimentación después de desconectarla.
- ▶ No levante el electrodoméstico por las asas de la puerta.
- ▶ Las llaves deben mantenerse fuera del alcance de los niños y lejos del electrodoméstico para evitar que los niños se queden encerrados dentro.



## ADVERTENCIA

- ▶ Tenga en cuenta que el electrodoméstico está configurado para funcionar en un rango de temperatura específico de entre 10 y 38 °C. El electrodoméstico puede no funcionar correctamente si se deja durante mucho tiempo a una temperatura superior o inferior al intervalo indicado.
- ▶ No coloque artículos inestables (objetos pesados, recipientes llenos de agua) en la parte superior del electrodoméstico, a fin de evitar lesiones personales causadas por caídas o descargas eléctricas causadas por el contacto con el agua.
- ▶ Abra y cierre la puerta solamente usando las asas. El espacio entre la puerta y el armario es muy estrecho. No ponga las manos en estas áreas para evitar pillarse los dedos. Abra o cierre las puertas del electrodoméstico solo cuando no haya niños dentro del área de movimiento de la puerta.
- ▶ No almacene ni utilice elementos inflamables, explosivos o corrosivos en el electrodoméstico ni cerca de él.
- ▶ No almacene en este electrodoméstico sustancias explosivas, como botes de aerosol con propelente inflamable.
- ▶ No guarde medicamentos, bacterias ni agentes químicos en el electrodoméstico. Este aparato es un electrodoméstico. No se recomienda almacenar materiales que requieran temperaturas extremas.
- ▶ No ajuste una temperatura innecesariamente baja en el compartimento de la cámara de vino. En los ajustes altos pueden darse temperaturas bajo cero. Atención: Las botellas pueden reventar.
- ▶ No toque la superficie interior del compartimento del electrodoméstico cuando esté en funcionamiento, especialmente con las manos mojadas, ya que las manos pueden congelarse en la superficie.
- ▶ Para una refrigeración adecuada del vino, no sobrecargue el electrodoméstico.
- ▶ Desenchufe el electrodoméstico en caso de interrupción del suministro eléctrico o antes de limpiarlo. Deje pasar al menos 7 minutos antes de reiniciar el electrodoméstico, ya que el arranque frecuente puede dañar el compresor.
- ▶ **ADVERTENCIA:** No utilice dispositivos eléctricos dentro del electrodoméstico, a menos que sean del tipo recomendado por el fabricante. Para evitar riesgos, solo el servicio de atención al cliente debe reemplazar un cable de alimentación dañado (ver tarjeta de garantía).
- ▶ Para prolongar la vida útil del electrodoméstico, evite apagarlo.
- ▶ No coloque el electrodoméstico horizontalmente sobre el suelo. Después de inclinar el electrodoméstico más de 45°, espere 24 horas antes de enchufarlo.



## ADVERTENCIA

### Mantenimiento / limpieza

- ▶ Asegúrese de que los niños están bajo supervisión si realizan tareas de limpieza y mantenimiento.
- ▶ Desconecte el electrodoméstico de la red eléctrica antes de realizar cualquier mantenimiento rutinario. Deje pasar al menos 7 minutos antes de reiniciar el electrodoméstico, ya que el arranque frecuente puede dañar el compresor.
- ▶ Cuando desenchufe el electrodoméstico, hágalo agarrando la clavija, no el cable.
- ▶ No limpie el electrodoméstico con cepillos duros, cepillos de alambre, detergente en polvo, gasolina, acetato de amilo, acetona y soluciones orgánicas similares, soluciones ácidas o alcalinas. Limpie con un detergente especial para frigoríficos/congeladores para evitar daños. Finalmente, use una solución de agua tibia y bicarbonato (aproximadamente una cucharada de bicarbonato en un litro/cuarto de agua). Enjuague abundantemente con agua y seque con un trapo. No utilice limpiadores en polvo u otros limpiadores abrasivos. No lave las piezas extraíbles en el lavavajillas.
- ▶ **ADVERTENCIA:** No utilice dispositivos mecánicos ni otros equipos para acelerar el proceso de descongelación, salvo aquellos recomendados por el fabricante.
- ▶ Si el cable de alimentación está dañado, debe ser sustituido por el fabricante, por su servicio técnico o por cualquier profesional cualificado similar para evitar riesgos.
- ▶ No intente reparar, desmontar o modificar este electrodoméstico por su cuenta. En caso de reparación, póngase en contacto con nuestro servicio de atención al cliente.
- ▶ Si las luces están dañadas, deben ser sustituidas por el fabricante, por su servicio técnico o por cualquier profesional cualificado similar para evitar riesgos.
- ▶ Saque el polvo de la parte posterior de la unidad al menos una vez al año para evitar el riesgo de incendio, así como un mayor consumo de energía.

- ▶ No rocíe ni enjuague el electrodoméstico durante la limpieza.
- ▶ No use agua pulverizada o vapor para limpiar el electrodoméstico.
- ▶ No limpie la puerta de cristal fría con agua caliente. Un cambio repentino de temperatura puede causar que el cristal se rompa.
- ▶ Si deja el electrodoméstico fuera de uso durante un periodo prolongado, déjelo abierto para evitar que se acumulen malos olores en el interior.

## Información sobre gases refrigerantes



### ADVERTENCIA

Este electrodoméstico contiene el refrigerante inflamable ISOBUTANO (R600a). Asegúrese de no dañar el circuito refrigerante durante el transporte o la instalación. La fuga de refrigerante puede causar lesiones oculares o incendios. Si se produce algún daño, mantenga alejadas fuentes de fuego abiertas, ventile a fondo la habitación y no conecte o desconecte los cables de alimentación de este o cualquier otro electrodoméstico. Informe al servicio de atención al cliente.

En caso de que los ojos entren en contacto con el refrigerante, enjuáguelos inmediatamente con agua corriente y llame inmediatamente a un oftalmólogo. **ADVERTENCIA:** El sistema de refrigeración está bajo alta presión. No lo fuerce. Dado que se utilizan refrigerantes inflamables, siga estrictamente las instrucciones de instalación, manipulación y mantenimiento del electrodoméstico y póngase en contacto con un técnico profesional o con nuestro servicio posventa para desecharlo.

### Uso previsto


Este electrodoméstico está diseñado para uso doméstico y aplicaciones similares, tales como:

- Cocinas para personal en tiendas, oficinas y otros entornos de trabajo.
  - Granjas y el uso por clientes en hoteles, moteles y otros entornos de tipo residencial.
  - Entornos tipo pensión.
  - Catering y aplicaciones similares no minoristas.
- ▶ Para garantizar la conservación segura del vino, siga las instrucciones de uso.
  - ▶ Los detalles sobre la zona de almacenamiento más apropiada para determinados tipos de alimentos, teniendo en cuenta la distribución de la temperatura en los distintos compartimentos del electrodoméstico, se encuentran en la otra parte del manual.

No se permite realizar cambios o modificaciones en el electrodoméstico. Un uso no previsto puede causar riesgos y la pérdida de reclamaciones de garantía.

## Eliminación



El símbolo  presente en el producto o en su embalaje indica que este producto no puede ser tratado como residuo doméstico. Por el contrario, debe llevarse al punto de recogida pertinente para el reciclado de equipos eléctricos y electrónicos. Asegurándose de que este producto se elimina correctamente, ayudará a evitar posibles consecuencias negativas para el medio ambiente y la salud humana, provocadas por una eliminación inadecuada de este producto. Para obtener información más detallada sobre el reciclaje de este producto, póngase en contacto con los profesionales de su ayuntamiento, su servicio de eliminación de residuos domésticos o la tienda donde compró el producto.

Dado que se utilizan gases expansivos de aislamiento inflamables, póngase en contacto con un técnico profesional o con nuestro servicio posventa para desecharlo.

## ADVERTENCIA

### ¡Peligro de lesiones o asfixia!

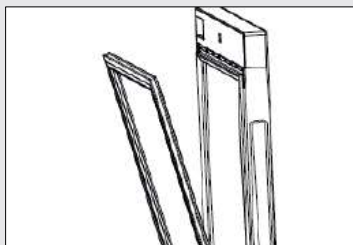
Los refrigerantes y los gases deben desecharse de forma profesional. Asegúrese de que la tubería del circuito refrigerante no está dañada antes de desecharla adecuadamente. Desconecte el electrodoméstico de la red eléctrica. Corte el cable de red y deséchelo. Retire las bandejas y los cajones, así como el pestillo de la puerta y las juntas, para evitar que los niños y las mascotas se queden encerrados en el electrodoméstico.

- ▶ **ADVERTENCIA:** Desconecte el electrodoméstico de la fuente de alimentación antes de limpiarlo.
- ▶ No limpie el electrodoméstico con cepillos duros, cepillos de alambre, acetato de amilo, acetona y soluciones orgánicas similares, soluciones ácidas o alcalinas. Limpie con un detergente especial para frigoríficos para evitar daños.
- ▶ Limpie el electrodoméstico solo cuando haya poco o ningún vino guardado. Solo es necesario limpiarlo cuando está sucio.
- ▶ Limpie el interior y el armazón del electrodoméstico con una esponja humedecida en agua tibia y detergente neutro.
- ▶ Enjuague con agua tibia limpia y seque con un paño suave.
- ▶ No limpie ninguna de las piezas o partes de este electrodoméstico en un lavavajillas.
- ▶ Deje pasar al menos 7 minutos antes de reiniciar el electrodoméstico, ya que el arranque frecuente puede dañar el compresor.



### Limpieza de la junta de la puerta:

- ▶ las juntas de la puerta deben limpiarse cada 3 meses para garantizar un sellado adecuado. Según se indica a continuación: Extracción: Agarre la junta de la puerta y tire de ella de acuerdo con la dirección que indica la flecha para sacar toda la junta de la puerta. Sumerja el cepillo con agua o alcohol de grado alimenticio y limpie la junta de la puerta primero moviendo el cepillo hacia atrás y hacia fuera. Luego limpie la superficie de la junta de la puerta con un trapo empapado en agua o alcohol de grado alimenticio. Finalmente, lave la junta de la puerta y séquela con un trapo limpio.



## **Instalación de la junta de la puerta después de la limpieza:**

Antes de la instalación, asegúrese de que no haya agua en la junta. Introduzca la junta de la puerta en la ranura y presione firmemente con la mano de la parte superior a la parte inferior hasta que toda la junta se inserte en la ranura.

## **Limpieza de los estantes:**

- ▶ Todos los estantes se pueden sacar para su limpieza.
- ▶ Saque todas las botellas.
- ▶ Levante un poco cada estante y extráigalo.
- ▶ Limpie el estante con un trapo suave.
- ▶ Espere a que los estantes estén secos antes de volver a colocarlos.

## **ADVERTENCIA:**

Espere al menos 7 minutos antes de volver conectar la alimentación después de desconectarla.

Compruebe los accesorios y guías de acuerdo con esta lista: sin aislamiento.

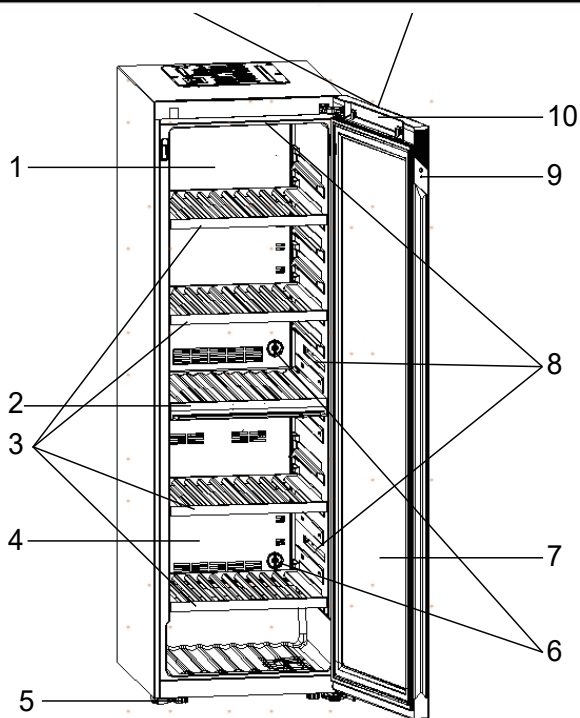
Nombre	Manual de usuario	Tarjeta de servicio	Estante	Tapa de la bisagra	Etiqueta energética	Llave
HWS247GGU1	1	1	5	1	1	2
HWS236GDGU1	1	1	4	1	1	2



## Aviso

Debido a cambios técnicos y a las diferencias entre modelos, algunas de las ilustraciones de este manual pueden diferir de su modelo.

## Imagen del aparato



(HWS236GDGU1)

- |                                            |                |
|--------------------------------------------|----------------|
| 1. Deflector de conducto de aire superior  | 6. Puerta      |
| 2. Estante                                 | 7. Lámpara LED |
| 3. Deflector del conducto de aire inferior | 8. Boqueo      |
| 4. Patas ajustables                        | 9. Pantalla    |
| 5. Filtro de carbón activado               |                |

## 1. Desempaquetado

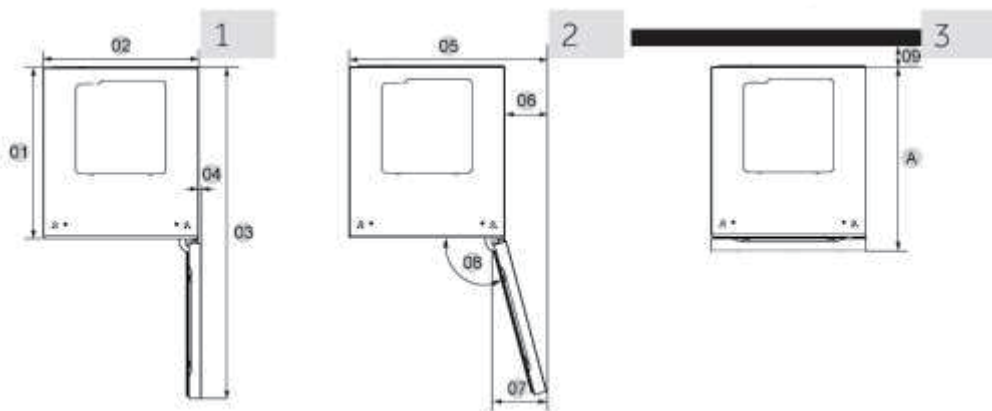
- ▶ Saque el electrodoméstico de su embalaje.
- ▶ Retire todos los materiales de embalaje, incluyendo la base de espuma y toda la cinta adhesiva que sujeta los accesorios.

## 2. Condiciones ambientales

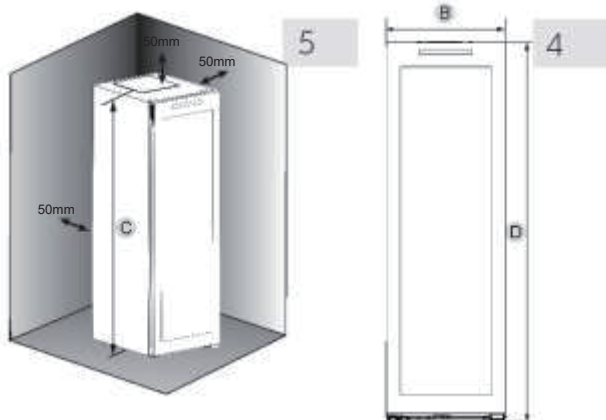
La temperatura ambiente debería encontrarse siempre entre 10° C y 38° C, ya que puede influir en la temperatura del interior del aparato y en su consumo de energía. No instale el electrodoméstico cerca de otros electrodomésticos emisores de calor (hornos, neveras) sin aislamiento.

## 3. Requisitos de espacio

Espacio necesario para abrir la puerta (Fig. 1, 2, 3, 4); por razones de seguridad y aprovechamiento de la energía, debe respetarse una distancia de ventilación de 50 mm en todas las direcciones (Fig.5).



Measurement: mm	HWS247GGU1	HWS236GDGU1
Profundidad A	714	714
Ancho B	597	597
Altura C	1905	1905
Altura total D	1900	1900
01	654	654
02	595	595
03	1273	1273
04	11	11
05	756	756
06	161	161
07	200	200
08	105°	105°
09	50	50





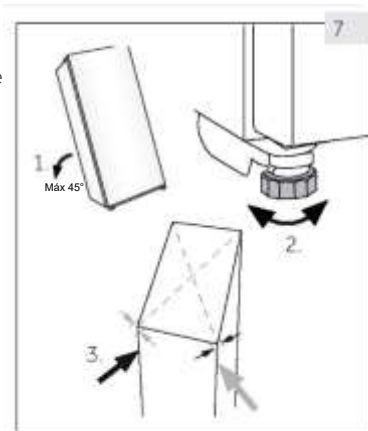
## ADVERTENCIA

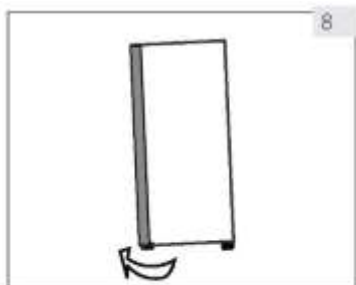
- ▶ No obstruya las aberturas de ventilación del armazón del electrodoméstico o de la estructura integrada. Este electrodoméstico de refrigeración no está diseñado para ser utilizado como un electrodoméstico integrado

## 5. Nivelación del electrodoméstico

Este electrodoméstico debe colocarse sobre una superficie plana y sólida.

1. Incline el electrodoméstico ligeramente hacia atrás (Fig. 7).
2. Ajuste las patas delanteras ajustables al nivel deseado haciéndolas girar.
3. Puede comprobarse la estabilidad golpeando alternativamente las diagonales. El ligero bamboleo debe ser el mismo en ambas direcciones. De lo contrario, el marco puede deformarse y resultar en fugas en las juntas de la puerta. Una ligerísima inclinación hacia atrás facilita el cierre de la puerta.



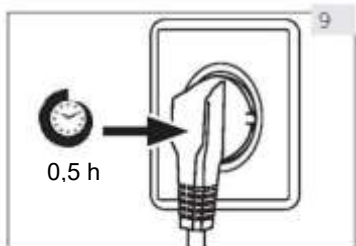


## 6. Ajuste de precisión de la puerta

El electrodoméstico se cierra más fácilmente si se utilizan las patas ajustables situadas en la parte delantera:

Gire las patas ajustables (Fig. 8) para elevarlas o bajarlas:

- ▶ Girar las patas en sentido horario eleva el electrodoméstico.
- ▶ Girar las patas en sentido antihorario baja el electrodoméstico.



## 7. Tiempo de espera

El aceite de lubricación sin mantenimiento se encuentra en la cápsula del compresor. Este aceite puede pasar por el sistema de tuberías cerradas durante el transporte si el electrodoméstico está inclinado. Antes de conectar el electrodoméstico a la fuente de alimentación, espere 0,5 horas (Fig. 9) para que el aceite vuelva a entrar en la cápsula.

## 8. Conexión eléctrica

Antes de cada conexión, compruebe si:

- ▶ La fuente de alimentación, la toma de corriente y el fusible son adecuados para la placa de clasificación.
- ▶ La toma de corriente tiene conexión a tierra y no tiene múltiples contactos ni extensiones.
- ▶ El enchufe y la toma de corriente están bien ajustados.

Conecte el enchufe a una toma de corriente doméstica correctamente instalada.



### ADVERTENCIA

Para evitar riesgos, solo el servicio de atención al cliente debe reemplazar un cable de alimentación dañado (ver tarjeta de garantía).

## 9. Reversibilidad de la puerta

Antes de conectar el electrodoméstico a la fuente de alimentación, debe comprobar si la apertura de la puerta debe cambiar de derecha (por defecto) a izquierda por la ubicación de instalación y la facilidad de uso.



### ADVERTENCIA

- ▶ Este es un electrodoméstico pesado. Se necesitan dos personas para cambiar la reversibilidad de la puerta.
- ▶ Antes de realizar cualquier operación, desenchufe el electrodoméstico de la red eléctrica.
- ▶ No incline el electrodoméstico más de 45° para evitar daños en el sistema de refrigeración.

## Pasos de montaje

1. Consiga las herramientas necesarias.
2. Desenchufe el electrodoméstico.
3. Retire la cubierta de la viga superior y la cubierta pequeña. Instalación de cambio de posición derecha e izquierda de la cubierta pequeña.
4. Retire la cubierta de la bandeja de cables y la moldura decorativa. Instalación de cambio de posición derecha e izquierda de la moldura decorativa. Retire el tapón de goma negro del ojo de la cerradura izquierdo en el interior del cuerpo de la puerta e instálolo en el ojo derecho de la cerradura.
5. Retire la cubierta de las bisagras. Utilice la herramienta para retirar los 3 tornillos y retire el cuerpo de la puerta.
6. Retire los 3 tornillos de debajo del cuerpo de la puerta con la herramienta, la leva del cuerpo de la puerta y el tope de la puerta. Para el cambio de posición derecha e izquierda estos elementos se instalan en el lado correspondiente del cuerpo de la puerta.
7. Retire el conjunto de la bisagra del armazón con la herramienta. En primer lugar, retire la leva de la bisagra en el conjunto de la bisagra inferior y seguidamente vuelva a colocar el eje de la bisagra en el orificio del tornillo derecho. Instalación de cambio de posición con el soporte de las ruedas en el lado derecho del armazón.
8. El cuerpo de la puerta se instala verticalmente hacia abajo en el eje de la bisagra.
9. La bisagra superior se introduce en el orificio del eje del cuerpo de la puerta. Fije el armazón con tornillos, monte la tapa de la caja de cables y la tapa del embellecedor de la viga superior.



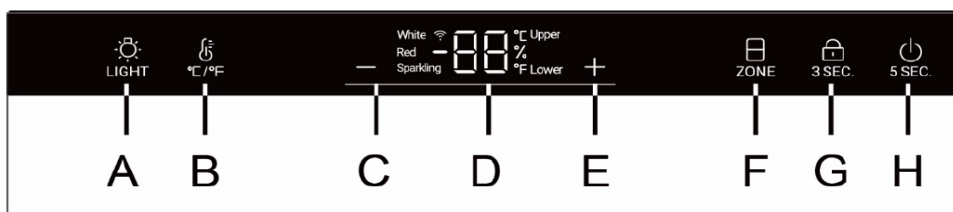
## 1. Antes del primer uso

- ▶ Retire todos los materiales de embalaje. Esto incluye la base de espuma y toda la cinta adhesiva que sujeta los accesorios de la bodega por dentro y por fuera. Manténgalos fuera del alcance de los niños y deséchelos de forma respetuosa con el medio ambiente.
- ▶ Limpie el interior y el exterior del electrodoméstico con agua y un detergente suave antes de introducir cualquier vino en él.
- ▶ Después de nivelar y limpiar el electrodoméstico, espere al menos 2 horas antes de conectarlo a la fuente de alimentación. Si su bodega se ha inclinado por cualquier razón, espere 24 horas antes de enchufarla. Consulte la sección Instalación.
- ▶ Una vez que haya enchufado la unidad a una toma de corriente eléctrica, déjela en funcionamiento durante al menos 30 minutos para que se aclimate antes de realizar cualquier ajuste.
- ▶ La temperatura se ajusta automáticamente a 12 °C. Si lo desea, puede cambiar la temperatura manualmente. Consulte la sección Temperatura.

## 2. Botones táctiles

Los botones del panel de control son teclas táctiles, que responden cuando las toca ligeramente con el dedo.

## 3. Descripción del panel de control



- |   |                                          |   |                                          |
|---|------------------------------------------|---|------------------------------------------|
| A | Botón de la luz interior                 | E | Botón de ajuste de la temperatura: subir |
| B | Botón de conversión °C/°F                | F | Selección de la zona de temperatura      |
| C | Botón de ajuste de la temperatura: bajar | G | Botón de bloqueo                         |
| D | Pantalla                                 | H | Botón de encendido                       |

## 4. Función de bloqueo automático

En el estado de pantalla de bloqueo, mantenga pulsado el botón de bloqueo durante 3 seg. hasta que en la pantalla se muestre 3, 2 y 1 y se desbloquee la pantalla y el icono de bloqueo quede iluminado parcialmente; si no se realiza ninguna operación, la pantalla volverá a bloquearse automáticamente después de 30 seg. En el estado de pantalla de bloqueo, todos los iconos de los botones de bloqueo están encendidos, y los botones de la pantalla de visualización están inactivos (excepto el botón de iluminación).

## 5. Función del botón de encendido

Cuando la pantalla está apagada, toque cualquier botón para encender la pantalla. Mantenga pulsado el botón de encendido para que se muestre en la pantalla 5, 4, 3, 2 y 1, y se desconecte la alimentación de todo el aparato. Cuando el aparato está apagado, mantenga pulsado el botón de encendido para que aparezca 5, 4, 3, 2, 1. Se ha encendido la alimentación.





## 6. Ajuste de la temperatura

### Aviso

#### Ajustes preestablecidos



- ▶ Una vez que haya enchufado la unidad a una toma de corriente eléctrica, déjela en funcionamiento durante al menos 30 minutos para que se aclimate antes de realizar cualquier ajuste.
- ▶ Cuando se enciende el electrodoméstico después de desconectarlo de la fuente de alimentación principal, alcanzar las temperaturas correctas puede tomar varias horas. El tiempo exacto variará dependiendo del entorno y del ajuste de temperatura.



Pulse el botón  o , la pantalla comenzará a parpadear. Pulse el botón  o  para ajustar la temperatura deseada. El rango de ajuste de la temperatura es: 5-20 °C (41-68 °F). Suelte el botón durante 3 segundos, y la temperatura se confirmará.

## 7. Modo o función de zona

Pulse el botón  **MODE**; La temperatura cambia de espumoso (8°C o 47°F) a blanco (12°C o 54°F) y tinto (16°C o 61°F) HWS247GGU1.

En el estado de desbloqueo, el icono  está completamente encendido. Si la pantalla actual está en la zona de temperatura superior, el icono superior estará encendido y el icono inferior estará apagado. En este momento, pulse la tecla : el icono inferior se encenderá y el icono superior se apagará. HWS236GDGU1

### Ajustes de temperatura recomendados

Estas son las temperaturas de degustación para los distintos tipos de vino.

Vino tinto	De +13°C a +20°C (de +55 °F a +68 °F)	Vino espumoso, Prosecco	De +5 °C a +8 °C (de +41 °F a 47°F)
Vino blanco	de +9°C a +12°C (de +48°F a +54°F)		

Si almacena vino durante largos períodos de tiempo, debe guardarlos a una temperatura comprendida entre +10 °C y +12 °C (50 °F y +54 °F).

## 8. Modo de espera

La pantalla de visualización se atenúa automáticamente 30 segundos.  
Se enciende automáticamente cuando se toca cualquier tecla o se abre la puerta.



## Aviso

### Influencias en las temperaturas



La temperatura del interior del electrodoméstico se ve afectada por los siguientes factores:

- ▶ Temperatura ambiente
- ▶ Cantidad de botellas almacenadas
- ▶ Frecuencia de apertura de la puerta
- ▶ Ubicación del electrodoméstico

La configuración predeterminada es de 12 °C.

Cuando la pantalla deja de parpadear, vuelve a mostrar la temperatura actual dentro de la bodega. Alcanzar la temperatura establecida tomará algún tiempo.

## 9. Configuración del modo de iluminación

Pulse el botón  LIGHT. Cuando las luces del armario se encienden, las luces se iluminan gradualmente. Cuando se vuelve a pulsar el botón  LIGHT, las luces se apagan gradualmente.

## 10. Función °C/°F

Pulse el botón  para cambiar entre Fahrenheit y Celsius.

## 11. Función de memoria de apagado

Si se produce un corte de energía, la bodega guardará automáticamente la temperatura ajustada. Cuando vuelva la luz, volverá a funcionar según la temperatura establecida antes del corte de energía.

## 12. Función de compensación de baja temperatura

La bodega tiene una función de compensación de baja temperatura para garantizar la estabilidad de la temperatura: Cuando la temperatura ambiente es inferior a la temperatura ajustada, la bodega inicia automáticamente la función de compensación de baja temperatura calentando el electrodoméstico. Cuando la temperatura del electrodoméstico alcanza la temperatura ajustada, la función de compensación de baja temperatura se apaga automáticamente.

## 13. Alarma de apertura de la puerta

Si la puerta se mantiene abierta durante más de 1 minuto, la alarma emitirá un pitido hasta que la puerta esté cerrada o se toque cualquier tecla en el panel de visualización.



## Consejos de ahorro de energía

- ▶ Asegúrese de que el electrodoméstico esté bien ventilado (vea INSTALACIÓN).
- ▶ No instale el electrodoméstico bajo la luz directa del sol o cerca de fuentes de calor (p. ej.: fogones, estufas...).
- ▶ Evite una temperatura innecesariamente baja en el electrodoméstico. El consumo de energía aumenta la temperatura del electrodoméstico.
- ▶ Abra la puerta del electrodoméstico lo menos y lo más brevemente posible.
- ▶ No supere la cantidad de botellas para la que está diseñado este electrodoméstico para evitar obstruir el flujo de aire.
- ▶ Mantenga las juntas de la puerta limpias para que la puerta se cierre siempre correctamente.
- ▶ La configuración que ahorra más energía requiere que el cajón, las fiambreras y los estantes se coloquen en el electrodoméstico según el estado de fábrica, y que los alimentos se coloquen de modo que no bloqueen la salida de aire del conducto.

## 14. Configuración del modo Wi-Fi

CONECTIVIDAD PARÁMETROS  
INALÁMBRICOS

Tecnología	Wi-Fi	Bluetooth
Estándar	IEE 802.11 b/g/n	Bluetooth v4.2, BR/EDR, BLE
Banda(s) de frecuencias [MHz]	2401÷2483	2402÷2480
Potencia máxima [mW]Banda(s) [MHz]	100	10

## INFORMACIÓN DEL PRODUCTO

## Cómo activar el módulo Wi-Fi:

- Presione el botón de luz durante 3 segundos para activar el Wi-Fi
- El módulo Wi-Fi está encendido el icono de Wi-Fi comienza a parpadear Si la bodega está registrada pero el Wi-Fi está apagado, el icono parpadeará
- Si la vinoteca está registrada y conectada, el ícono de Wi-Fi está siempre encendido
- Para restablecer el Wi-Fi, presione la luz durante 3 segundos

## PROCEDIMIENTO DE EMPAREJAMIENTO EN LA APLICACIÓN

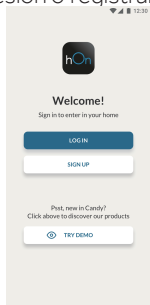
## Step 1

- Descarga la aplicación hOn en las tiendas



## Step 2

- Iniciar sesión o registrarse



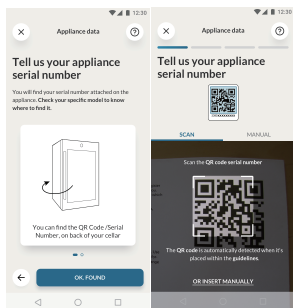
## Step 3

- Añade un nuevo electrodoméstico seleccionando la vinoteca de la lista



## Step 4

- Escanea el QR o inserta manualmente el número de serie



## Step 5

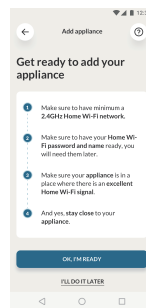
- Presione el botón de luz en el producto durante 3 segundos para activar el Wi-Fi



## Step 6

- El ícono de wi-Fi parpadeará, el proceso de emparejamiento está en progreso
- Tendrás 5 minutos para completar el proceso de emparejamiento
- Cuando se complete el proceso, el ícono de Wi-Fi dejará de parpadear y permanecerá siempre encendido

## NOTA

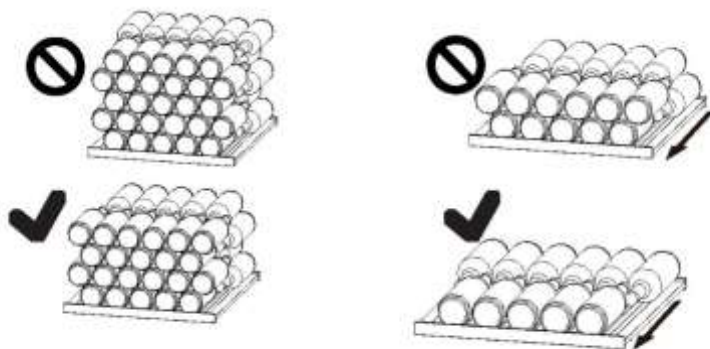


## 1. Estante


1. Los estantes están diseñados para almacenar y extraer fácilmente el vino. Se pueden limpiar con un trapo suave.
2. Se pueden apilar botellas normales de 76 mm de diámetro.
3. Las botellas mágnium se pueden apilar en el estante inferior.
4. La cantidad puede variar del número indicado o de las botellas si se apilan de forma diferente.

### Consejos para la distribución de su bodega

Recomendamos que el número de botellas de vino no exceda de cuatro filas en cada estante y que la capacidad de carga de los estantes de vino no exceda de 60 las botellas dentro de la bodega; asegúrese de que los estantes de vino sean completamente estables. Además, compruebe que ninguna botella sobresalga de los estantes para evitar que las botellas golpeen la puerta de cristal al cerrarse.



## 2. La luz

La luz interior LED se enciende al abrir la puerta. Para encender la luz mientras la puerta está cerrada, toque el botón . Para apagar las luces, vuelva a pulsar el botón. Para aumentar la eficiencia energética, las luces deben apagarse cuando no se esté mirando la bodega.

## 3. El cierre

Para cerrar la bodega, cierre la puerta y ponga la llave en la cerradura:

- ▶ Bloquee la puerta girando la llave en el sentido de las agujas del reloj.
- ▶ Desbloquee la puerta girando la llave en el sentido contrario al de las agujas del reloj.

## 1. Descongelación

La descongelación de la bodega se realiza automáticamente; no se requiere ninguna operación manual.

## 2. Sustitución de la lámpara LED

La lámpara utiliza LED como fuente de luz, con bajo consumo energético y larga vida útil. Si detecta alguna anomalía, póngase en contacto con el servicio de atención al cliente. Vea ATENCIÓN AL CLIENTE.



### ADVERTENCIA

No cambie la lámpara LED usted mismo. Solo debe cambiarla el fabricante o un técnico autorizado.

## Parámetros de la lámpara LED:

Voltaje 12V

Potencia máxima: 18W

## 3. Si no se utiliza durante un período más largo

Desenchufe el cable de la toma de corriente.

Limpie el electrodoméstico y las juntas de la puerta como se ha descrito anteriormente.

Mantenga las puertas abiertas para evitar que se generen malos olores en el interior.

## 4. Desplazar el electrodoméstico

1. Retire todas las botellas y desenchufe el electrodoméstico.

2. Fije los estantes y otras partes móviles a la bodega con cinta adhesiva.

3. No incline la bodega más de 45° para evitar dañar el sistema de refrigeración.

## 5. Renovación del aire con filtro de carbón activo.

La forma en que los vinos siguen envejeciendo depende de las condiciones ambientales. Por lo tanto, la calidad del aire es decisiva para preservar el vino. Se ha instalado un filtro de carbón activo en la parte inferior de la pared trasera del electrodoméstico para mantener la calidad del aire de la vinoteca a un nivel óptimo.



### Aviso

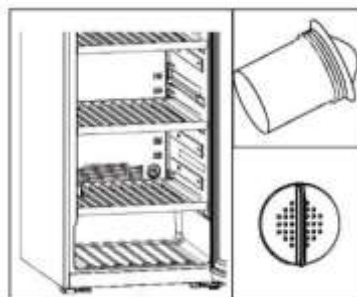
Recomendamos cambiar el filtro una vez al año. Puede obtener los filtros a través de su distribuidor.

## Sustitución del filtro:

Coja el filtro por el mango. Gírelo hacia la izquierda y extráigalo.

## Introducción del filtro:

Introdúzcalo con el mango en posición vertical. Gírelo hacia la derecha e insértelo.



Usted mismo puede resolver muchos de los problemas que puedan presentarse sin tener conocimientos específicos. En caso de que se produzca algún problema, compruebe todas las posibilidades ilustradas y siga las instrucciones pertinentes antes de ponerse en contacto con un servicio posventa. Vea ATENCIÓN AL CLIENTE.



## ADVERTENCIA

- ▶ Antes de realizar tareas de mantenimiento, desactive el electrodoméstico y desconecte el enchufe de la toma de corriente.
- ▶ Los equipos eléctricos solo deben ser revisados y manejados por electricistas expertos cualificados, ya que las reparaciones incorrectas pueden causar daños considerables en consecuencia.
- ▶ Si el sistema de alimentación está dañado, debe ser sustituido por el fabricante, por su servicio técnico o por cualquier profesional cualificado similar para evitar riesgos.

Código de error	Causa	Solución
L2	Alarma de baja temperatura cuando la temperatura del sensor de control es demasiado baja;	<ol style="list-style-type: none"> <li>1. Compruebe la temperatura ambiente.</li> <li>2. Compruebe el conector del compresor.</li> <li>3. Compruebe la resistencia del sensor de control de temperatura.</li> </ol>
H1	Si la temperatura del sensor de control es demasiado alta, se mostrará la alarma de alta temperatura en la pantalla.	<ol style="list-style-type: none"> <li>1. Compruebe el conector del panel de control o el panel de la pantalla.</li> <li>2. Compruebe la resistencia y el voltaje del ventilador.</li> <li>3. Compruebe el ventilador y el conector del compresor.</li> </ol>

Problema	Causa posible	Solución posible
El compresor no funciona.	<ul style="list-style-type: none"> <li>El enchufe no está conectado a la toma de corriente.</li> </ul>	<ul style="list-style-type: none"> <li>Conecte el enchufe.</li> </ul>
El electrodoméstico funciona con frecuencia o funciona durante un período de tiempo demasiado largo.	<ul style="list-style-type: none"> <li>La temperatura exterior es demasiado alta.</li> <li>El electrodoméstico ha estado apagado durante cierto de tiempo.</li> <li>Una puerta del electrodoméstico no está bien cerrada.</li> <li>La puerta se ha abierto con demasiada frecuencia o durante mucho tiempo.</li> <li>Las juntas de la puerta están sucias, desgastadas, agrietadas o desparejadas.</li> <li>La circulación de aire requerida no está garantizada.</li> <li>La temperatura establecida es demasiado baja.</li> </ul>	<ul style="list-style-type: none"> <li>En este caso, es normal que el electrodoméstico funcione más tiempo.</li> <li>Normalmente, lleva un tiempo que el electrodoméstico se enfríe completamente.</li> <li>Cierre la puerta y asegúrese de que el electrodoméstico esté ubicado sobre una superficie plana y que no haya alimentos o recipientes que impidan que la puerta se cierre bien.</li> <li>No abra la puerta con demasiada frecuencia.</li> <li>Limpie la junta de la puerta o pídale al servicio de atención al cliente que la cambie.</li> <li>Garantice una ventilación adecuada.</li> <li>El problema se resolverá cuando se haya alcanzado la temperatura deseada.</li> </ul>
El interior de la bodega está sucio y/o huele mal.	<ul style="list-style-type: none"> <li>El interior de la bodega necesita limpieza.</li> </ul>	<ul style="list-style-type: none"> <li>Limpie el interior de la bodega.</li> </ul>
La temperatura del interior del electrodoméstico no es lo suficientemente fría.	<ul style="list-style-type: none"> <li>La temperatura establecida es demasiado alta.</li> <li>Se han añadido botellas recientemente.</li> <li>Una puerta del electrodoméstico no está bien cerrada.</li> <li>La puerta se ha abierto con demasiada frecuencia o durante mucho tiempo.</li> <li>Las juntas de la puerta están sucias, desgastadas, agrietadas o desparejadas.</li> </ul>	<ul style="list-style-type: none"> <li>Restablezca la temperatura.</li> <li>Dé tiempo a que las botellas añadidas recientemente alcancen la temperatura deseada.</li> <li>Cierre la puerta.</li> <li>No abra la puerta con demasiada frecuencia.</li> <li>Limpie la junta de la puerta o pídale al servicio de atención al cliente que la cambie.</li> </ul>
La temperatura del interior del electrodoméstico es demasiado fría.	<ul style="list-style-type: none"> <li>La temperatura establecida es demasiado baja.</li> </ul>	<ul style="list-style-type: none"> <li>Restablezca la temperatura.</li> </ul>
Formación de humedad en el interior del compartimento frigorífico.	<ul style="list-style-type: none"> <li>El ambiente es demasiado cálido y demasiado húmedo.</li> <li>Una puerta del electrodoméstico no está bien cerrada.</li> <li>La puerta se ha abierto con demasiada frecuencia o durante mucho tiempo.</li> </ul>	<ul style="list-style-type: none"> <li>Aumente la temperatura.</li> <li>Cierre la puerta.</li> <li>No abra la puerta/cajón con demasiada frecuencia.</li> </ul>

Problema	Causa posible	Solución posible
La humedad se acumula en la superficie exterior de la bodega.	<ul style="list-style-type: none"> <li>El ambiente es demasiado cálido y demasiado húmedo.</li> <li>La puerta no está bien cerrada. Hay aire frío dentro del electrodoméstico y aire caliente en el exterior, y se produce condensación.</li> </ul>	<ul style="list-style-type: none"> <li>Esto es normal en un ambiente húmedo y cambiará cuando la humedad disminuya.</li> <li>Asegúrese de que la puerta esté bien cerrada y de que las juntas sellen correctamente.</li> </ul>
El electrodoméstico hace sonidos anormales.	<ul style="list-style-type: none"> <li>El electrodoméstico no está ubicado sobre una superficie plana.</li> <li>El electrodoméstico toca algún objeto a su alrededor.</li> </ul>	<ul style="list-style-type: none"> <li>Ajuste las patas para nivelar el electrodoméstico.</li> <li>Retire los objetos que haya alrededor del electrodoméstico.</li> </ul>
Se oye un ligero sonido similar al del flujo de agua.	<ul style="list-style-type: none"> <li>Es normal.</li> </ul>	<ul style="list-style-type: none"> <li>-</li> </ul>
El sistema de iluminación o refrigeración interior no funciona.	<ul style="list-style-type: none"> <li>El enchufe no está conectado a la toma de corriente.</li> <li>La fuente de alimentación presenta alguna alteración.</li> <li>La lámpara LED no funciona.</li> </ul>	<ul style="list-style-type: none"> <li>Conecte el enchufe.</li> <li>Compruebe el suministro eléctrico a la habitación. Llame a la compañía eléctrica local.</li> <li>Llame al servicio técnico para reemplazarla.</li> </ul>
Los lados del enfriador y la tira de la puerta se calientan.	<ul style="list-style-type: none"> <li>Esto es normal.</li> </ul>	<ul style="list-style-type: none"> <li>-</li> </ul>
La puerta no se cierra correctamente.	<ul style="list-style-type: none"> <li>El electrodoméstico no está nivelado.</li> <li>La puerta está bloqueada.</li> </ul>	<ul style="list-style-type: none"> <li>Nivele el electrodoméstico con las patas ajustables.</li> <li>Compruebe si hay obstrucciones como botellas o estantes.</li> </ul>

Para ponerse en contacto con el servicio de asistencia técnica, visite nuestro sitio web: <https://corporate.haier-europe.com/en/>

En la sección "website", elija la marca de su producto y su país. Se le redirigirá a la página web específica donde podrá encontrar el número de teléfono y el formulario para ponerse en contacto con el servicio de asistencia técnica.

## Ficha del producto conforme al Reglamento UE n.º 2019/2016

Marca	Haier	Haier
Nombre del modelo/Identificador	HWS247GGU1	HWS236GDGU1
Categoría	Wine Cellar	Wine Cellar
Clase de eficiencia energética	G	G
Consumo anual de energía (kWh/año 1)	184	184
Volumen de almacenamiento (L)	450	448
Clase climática: Este aparato está diseñado para ser utilizado a una temperatura ambiente entre 10 °C y 38 °C.	SNN ST	SNN ST
Emisiones de ruido acústico aéreo (db(A) re 1pW)	C(37)	C(37)
Tipo de aparato	Freestanding	Freestanding
Este aparato está diseñado para ser utilizado exclusivamente para el almacenamiento de vino.	Yes	Yes
Dimensiones (An./Pr./Al. en mm)	597/714/1900	597/714/1900

### Explicaciones:

1)Basado en los resultados de la prueba estándar de 24 horas. El consumo de energía real depende del entorno real, la cantidad de botellas, la temperatura establecida, la apertura y cierre de la puerta, etc.

2)El consumo energético nominal es el valor obtenido de acuerdo con el ensayo estándar cuando el compartimento del vino no enciende la luz interna.

- templado extendido: 'este electrodoméstico de refrigeración está destinado a ser utilizado a una temperatura ambiente comprendida entre 10 °C y 32 °C;
- normal: 'este electrodoméstico de refrigeración está destinado a ser utilizado a una temperatura ambiente comprendida entre 16 °C y 32 °C;
- subtropical: 'este electrodoméstico de refrigeración está destinado a ser utilizado a una temperatura ambiente comprendida entre 16 °C y 38 °C;
- tropical: 'este electrodoméstico de refrigeración está destinado a ser utilizado a una temperatura ambiente comprendida entre 16 °C y 43 °C;

## Normas y directivas

Este producto cumple los requisitos de todas las directivas CE aplicables con las correspondientes normas acordadas, que establecen el marcado CE.

Recomendamos nuestro Servicio de atención al cliente Haier y el uso de repuestos originales. Si tiene algún problema con su electrodoméstico, compruebe primero la sección SOLUCIÓN DE PROBLEMAS. Si no encuentra una solución allí, póngase en contacto con

- ▶ su distribuidor local o
- ▶ con el área de servicio y asistencia en [www.haier.com](http://www.haier.com), donde puede encontrar números de teléfono y preguntas frecuentes y activar la solicitud de servicio.

Para ponerse en contacto con nuestro Servicio, asegúrese de tener los siguientes datos disponibles. Puede encontrar la información en la placa de datos.

Modelo \_\_\_\_\_ N.º de serie \_\_\_\_\_

Compruebe también la tarjeta de garantía suministrada con el producto en caso de garantía.

Para consultas comerciales generales, estas son nuestras direcciones en Europa:

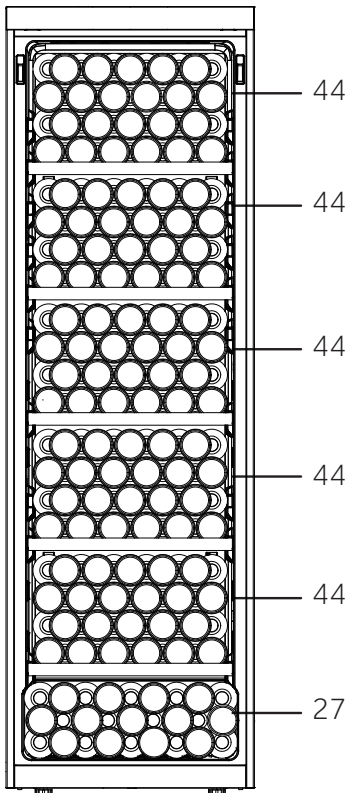
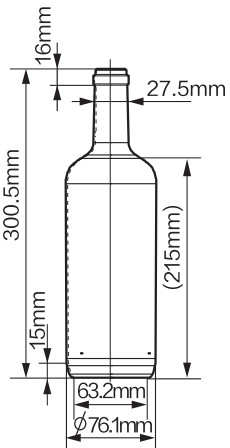
#### Direcciones de Haier en Europa

País*	Dirección postal	País	Dirección postal
<b>Italia</b>	Haier Europe Trading SRL Via De Cristoforis, 12 21100 Varese ITALIA	<b>Francia</b>	Haier Europe Trading SRL Via De Cristoforis, 12 21100 Varese ITALIA
<b>España</b> <b>Portugal</b>	Haier Iberia SL Pg. Garcia Faria, 49-51 08019 Barcelona ESPAÑA	<b>Bélgica-FR</b> <b>Bélgica-NL</b> <b>Países Bajos</b> <b>Luxemburgo</b>	Haier Benelux SA Anderlecht Route de Lennik 451 BELGIUM
<b>Alemania</b> <b>Austria</b>	Haier Deutschland GmbH Hewlett-Packard-Str. 4 D-61352 Bad Homburg ALEMANIA	<b>Polonia</b> <b>República</b> <b>Checa</b> <b>Hungría</b> <b>Grecia</b> <b>Rumanía</b> <b>Rusia</b>	Haier Poland Sp. zo.o. Al. Jerozolimskie 181B 02-222 Warszawa POLONIA
<b>Reino Unido</b>	Haier Appliances UK Co. Ltd. One Crown Square Church Street East Woking, Surrey, GU21 6HR UK		

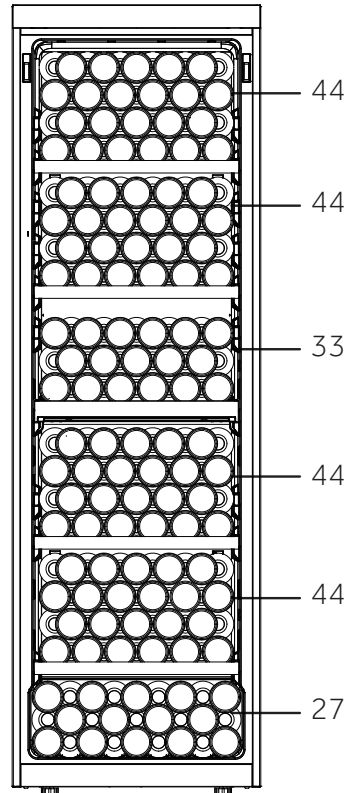
**DISPONIBILIDAD DE PIEZAS DE REPUESTO:** Los termostatos, los sensores de temperatura, las placas de circuito impresas y las fuentes de luz están disponibles durante un período mínimo de 7 años después de la comercialización de la última unidad del modelo. Las asas, bisagras, bandejas y cestas lo están durante un período mínimo de 7 años, y las juntas durante un período mínimo de 10 años después de la comercialización de la última unidad del modelo.

**La garantía mínima es de:** 2 años para los países de la UE, 3 años para Turquía, 1 año para el Reino Unido, 1 año para Rusia, 3 años para Suecia, 2 años para Serbia, 5 años para Noruega, 1 año para Marruecos, 6 meses para Argelia, Túnez sin garantía legal, al no requerirse.

**Para más información sobre el producto, consulte <https://eprel.ec.europa.eu/> o escanee el código QR en la etiqueta energética suministrada con el electrodoméstico.**



**HWS247GGU1**



**HWS236GDGU1**







Haier

# Instrukcja obsługi

Piwnica na wino

HWS247GGU1  
HWS236GDGU1

PL

**Haier**

## Dziękujemy za zakup produktu firmy Haier.

Przed użyciem urządzenia należy dokładnie przeczytać niniejsze instrukcje. Instrukcje zawierają ważne informacje, które pomogą możliwie najlepiej wykorzystać funkcje urządzenia, bezpiecznie i prawidłowo je zainstalować, eksploatować oraz konserwować.

Niniejszą instrukcję obsługi należy przechowywać w dostępnym miejscu, aby móc z niej zawsze skorzystać w celu bezpiecznego i właściwego użytkowania urządzenia.

Przy sprzedaży urządzenia należy do niego dołączyć niniejszą instrukcję obsługi, a w przypadku przeprowadzki przekazać ją nowemu właścicielowi, aby mógł się zapoznać z urządzeniem i ostrzeżeniami dotyczącymi bezpieczeństwa.



### Legenda

**Ostrzeżenie – ważne informacje dotyczące bezpieczeństwa**



Ogólne informacje i wskazówki



Informacje dotyczące ochrony środowiska



### Utylizacja

Pomóż chronić środowisko i ludzkie zdrowie. Wyrzuć opakowanie do odpowiednich pojemników do recyklingu. Pomóż recyklingować odpady z urządzeń elektrycznych i elektronicznych. Nie wyrzucaj urządzeń oznaczonych tym symbolem razem z odpadami domowymi. Oddaj produkt do miejscowego zakładu recyklingu lub skontaktuj się z urzędem miejskim.



## OSTRZEŻENIE!

### Ryzyko obrażeń lub uduszenia!

Czynniki chłodnicze i gazy muszą być utylizowane w profesjonalny sposób. Przed utylizacją upewnij się, że przewody układu chłodniczego nie są uszkodzone. Odłącz urządzenie od zasilania sieciowego. Odetnij przewód zasilający i zutylizuj go. Usuń tace i szuflady oraz zamek drzwi i uszczelki, aby zapobiec zamknięciu się dzieci i zwierząt w urządzeniu.

Stare urządzenia nadal mają pewną wartość rezydualną. Dzięki przyjaznej dla środowiska metodzie utylizacji cenne surowce mogą być odzyskane i ponownie wykorzystane.

Cyklopentan, substancja palna nieszkodliwa dla ozonu, jest stosowany jako środek porotwórczy do wytwarzania pianki izolacyjnej.

Zapewniając prawidłową utylizację urządzenia, pomagasz zapobiegać ewentualnym negatywnym konsekwencjom dla środowiska i zdrowia ludzkiego.

Więcej informacji na temat recyklingu tego produktu można uzyskać, kontaktując się z samorządem lokalnym, służbami zajmującymi się utylizacją odpadów lub prowadzonym przez specjalistów sklepem, z którego pochodzi produkt.

1-Informacje dotyczące bezpieczeństwa .....	4
2-Wskazówki bezpieczeństwa .....	7
3-Konserwacja.....	11
4-Akcesoria .....	13
5-Opis produktu.....	14
6-Instalacja .....	15
7-Użytkowanie.....	19
8-Wskazówki dotyczące oszczędzania energii .....	24
9-Wyposażenie .....	25
10-Pielęgnacja i czyszczenie .....	26
11-Usuwanie usterek.....	27
12-Dane techniczne .....	30
13-Obsługa klienta .....	31
14-Układanie butelek wina w stos. ....	32

To urządzenie jest przeznaczone wyłącznie do przechowywania wina. Przed włączeniem urządzenia po raz pierwszy, przeczytaj poniższe wskazówki dotyczące bezpieczeństwa:



## OSTRZEŻENIE!

### Przed pierwszym użyciem

- ▶ Upewnić się, że nie ma uszkodzeń powstałych podczas transportu.
- ▶ Usuń wszelkie opakowania, trzymaj je w miejscu niedostępnym dla dzieci i zutylizuj w sposób przyjazny dla środowiska.
- ▶ Odczekaj co najmniej pół godziny przed zainstalowaniem urządzenia, aby upewnić się, że obieg chłodniczy jest w pełni efektywny.
- ▶ Zawsze przenosić urządzenie z pomocą co najmniej dwóch osób, ponieważ jest ono ciężkie.

### Instalacja

- ▶ Urządzenie powinno być umieszczone w dobrze wentylowanym miejscu. Zapewnij przestrzeń co najmniej 50mm nad urządzeniem i wokół niego.
- ▶ **OSTRZEŻENIE:** Należy dbać o drożność otworów wentylacyjnych w obudowie urządzenia wolnostojącego lub w konstrukcji do zabudowy.
- ▶ Nigdy nie należy umieszczać urządzenia w wilgotnym miejscu lub w takim, w którym może być ochlapanie wodą. Zetrzyj plamy i zachlapania do sucha miękką i czystą ściereczką.
- ▶ Nie instaluj chłodziarki do wina w miejscach niewłaściwie zaizolowanych lub ogrzewanych, np. w garażu itp. Urządzenie nie zostało zaprojektowane do pracy w temperaturze otoczenia poniżej 10°C.
- ▶ Nie należy instalować urządzenia w bezpośrednim świetle słonecznym lub w pobliżu źródeł ciepła (np. pieców, grzejników).
- ▶ Zainstaluj i wypoziomuj urządzenie w miejscu odpowiednim dla jego wielkości i przeznaczenia.
- ▶ Upewnić się, że informacje dotyczące elektryki na tabliczce znamionowej są zgodne z parametrami zasilania. Jeśli tak nie jest, należy się skontaktować z elektrykiem.
- ▶ Urządzenie jest zasilane prądem 220–240 V/50 Hz. Odbiegające od normy wahania napięcia mogą spowodować niewłączenie się urządzenia albo uszkodzenie regulatora temperatury lub sprężarki. Mogą też być przyczyną nietypowego hałasu podczas pracy. W takim przypadku powinien zostać zamontowany automatyczny regulator.
- ▶ Nie używaj adapterów wtyczek i przedłużaczy.



## OSTRZEŻENIE!

- ▶ **OSTRZEŻENIE:** Za urządzeniem nie powinna się znajdować większa liczba listew zasilających ani przenośnych zasilaczy.
- ▶ **OSTRZEŻENIE:** Podczas ustawiania urządzenia należy się upewnić, że kabel zasilający nie został przygnieciony ani uszkodzony.
- ▶ Nie stawaj na przewodzie zasilającym.
- ▶ Używaj oddzielnego, łatwo dostępnego i uziemionego gniazdka. Urządzenie musi być uziemione.
- ▶ **Tylko dla Wielkiej Brytanii:** Kabel zasilający urządzenie jest wyposażony we wtyczkę z 3 bolcami (z uziemieniem), która pasuje do standardowego gniazda z 3 przewodami (z uziemieniem). Nigdy nie odcinaj ani nie demontuj trzeciego bolca (z uziemieniem). Po zainstalowaniu urządzenia, wtyczka powinna być dostępna.
- ▶ **OSTRZEŻENIE:** Uważać, aby nie uszkodzić obwodu chłodniczego.

## Codzienne użytkowanie

- ▶ Urządzenie może być obsługiwane przez dzieci powyżej 8 roku życia i przez osoby o ograniczonych możliwościach fizycznych, sensorycznych lub umysłowych lub osoby nieposiadające doświadczenia ani wiedzy pod warunkiem, że są one pod odpowiednim nadzorem lub zostały poinstruowane, jak bezpiecznie obsługiwać urządzenie i rozumieją związane z nim zagrożenia.
- ▶ Dzieci nie powinny bawić się urządzeniem.
- ▶ Dzieciom w wieku od 3 do 8 lat zezwala się na załadunek i rozładunek urządzeń chłodniczych, ale nie wolno im ich czyścić i instalować.
- ▶ Trzymaj z dala od urządzenia dzieci poniżej 3 roku życia, chyba że są pod stałym nadzorem.
- ▶ Czyszczenie i konserwacja nie mogą być wykonywane przez dzieci bez dozoru
- ▶ Urządzenie musi być ustawione tak, aby wtyczka była dostępna.
- ▶ Jeśli gaz węglowy lub inny łatwopalny gaz wycieka w pobliżu urządzenia, zamknij zawór wyciekającego gazu, otwórz drzwi oraz okna i nie odłączaj ani nie podłączaj kabla zasilającego urządzenia.
- ▶ Odczekaj co najmniej 7 minut, aby ponownie podłączyć zasilanie po jego odłączeniu.
- ▶ Nie podnoś urządzenia za klamki drzwi.
- ▶ Klucze muszą być przechowywane w miejscu niedostępnym dla dzieci, a nie w pobliżu urządzenia, aby uniemożliwić zatrzaśnięcie się dzieci w jego wnętrzu.

**OSTRZEŻENIE!**

- ▶ Należy pamiętać, że urządzenie jest przeznaczone do pracy w specyficznym zakresie temperatur otoczenia od 10°C do 38°C. Urządzenie może nie działać prawidłowo, jeśli jest pozostawione na dłuższy czas w temperaturze powyżej lub poniżej wskazanego zakresu.
- ▶ Na urządzeniu nie należy umieszczać niestabilnych przedmiotów (ciężkich przedmiotów, pojemników wypełnionych wodą), aby uniknąć obrażeń ciała spowodowanych upadkiem lub porażeniem prądem elektrycznym w wyniku kontaktu z wodą.
- ▶ Otwieraj i zamykaj drzwi tylko za pomocą klamek. Szczelina między drzwiami a komorą jest bardzo wąska. Nie trzymaj rąk w tych obszarach, aby uniknąć przycięcia palców. Otwieraj i zamykaj drzwi urządzenia tylko wtedy, gdy nie ma dzieci stojących w obrębie ruchu drzwi.
- ▶ Nie przechowuj ani nie używaj materiałów łatwopalnych, wybuchowych lub żrących w urządzeniu lub w jego sąsiedztwie.
- ▶ Nie przechowuj w urządzeniu substancji wybuchowych takich jak aerozole w puszcze z łatwopalnymi gazami nośnymi.
- ▶ Nie należy przechowywać w urządzeniu leków, bakterii lub substancji chemicznych. To urządzenie jest urządzeniem gospodarstwa domowego. Nie zaleca się przechowywania materiałów, które wymagają ściśle określonej temperatury.
- ▶ Nie ustawiaj niepotrzebnie niskiej temperatury w komorze na wino. Ujemne temperatury mogą wystąpić przy wysokich ustawieniach. Uwaga: Butelki mogą wybuchnąć
- ▶ Nie dotykaj wnętrza komory podczas pracy, zwłaszcza mokrymi rękami, ponieważ mogą one przymarznąć do jej powierzchni.
- ▶ W celu zapewnienia prawidłowego chłodzenia wina nie należy przeladowywać urządzenia.
- ▶ Odłącz urządzenie w przypadku przerwy w zasilaniu lub przed czyszczeniem. Nie uruchamiaj ponownie urządzenia przez co najmniej 7 minut, ponieważ szybkie włączenie może doprowadzić do uszkodzenia sprężarki.
- ▶ **OSTRZEŻENIE:** Nie używaj urządzeń elektrycznych w komorze urządzenia, chyba, że są rekomendowane przez producenta. Aby uniknąć ryzyka, uszkodzony przewód zasilający musi być wymieniony przez serwis (zob. karta gwarancyjna).
- ▶ Aby przedłużyć żywotność urządzenia, należy unikać jego wyłączania.
- ▶ Nigdy nie należy ustawiać urządzenia poziomo na ziemi. Po przechyleniu urządzenia o więcej niż 45° należy odczekać 24 godziny przed jego podłączeniem.

**OSTRZEŻENIE!****Konserwacja / czyszczenie**

- ▶ Upewnij się, że dzieci są nadzorowane podczas czyszczenia i konserwacji urządzenia.
- ▶ Przed przystąpieniem do rutynowej konserwacji należy odłączyć urządzenie od zasilania elektrycznego. Nie uruchamiaj ponownie urządzenia przez co najmniej 7 minut, ponieważ szybkie włączenie może doprowadzić do uszkodzenia sprężarki.
- ▶ Podczas odłączania urządzenia trzymaj za wtyczkę, a nie za przewód.
- ▶ Nie czyść urządzenia za pomocą twardych szczotek, szczotek drucianych, detergentów proszkowych, benzyny, octanu amyli, acetonu i podobnych roztworów organicznych, kwasu lub roztworów alkalicznych. Do czyszczenia należy używać specjalnego detergentu do lodówek/zamrażarek, aby uniknąć uszkodzenia. Można użyć ciepłej wody i roztworu sody oczyszczonej – około jedna łyżka stołowa sody oczyszczonej na litr/kwartę wody. Dokładnie spłucz wodą i wytrzyj do sucha. Nie używaj proszków czyszczących ani innych środków czyszczących o właściwościach ściernych. Nie myj wyjmowanych części urządzenia w zmywarce.
- ▶ **OSTRZEŻENIE:** Nie używać urządzeń mechanicznych ani innych środków do przyspieszania procesu rozmrażania, chyba że są one zalecane przez producenta.
- ▶ Jeśli kabel zasilający ulegnie uszkodzeniu, dla bezpieczeństwa należy zlecić jego wymianę producentowi, autoryzowanemu serwisowi lub osobom o podobnych kwalifikacjach.
- ▶ Nie należy próbować samodzielnie naprawiać, demontować ani modyfikować urządzenia. W przypadku konieczności naprawy prosimy o kontakt z naszym działem obsługi klienta.
- ▶ Jeśli lampy oświetleniowe ulegną uszkodzeniu, dla bezpieczeństwa należy zlecić ich wymianę producentowi, autoryzowanemu serwisowi lub osobom o podobnych kwalifikacjach.
- ▶ Usuń kurz z tyłu urządzenia co najmniej raz w roku, aby uniknąć zagrożenia ogniem, a także zwiększonego zużycia energii.

- ▶ Nie używaj aerozolu ani nie przepłukuj urządzenia podczas czyszczenia.
- ▶ Nie używaj wody lub pary do czyszczenia urządzenia.
- ▶ Nie czyść zimnych szklanych drzwi gorącą wodą. Nagła zmiana temperatury może spowodować pęknięcie szkła.
- ▶ Jeśli urządzenie nie będzie używane przez dłuższy czas, należy pozostawić je otwarte, aby zapobiec powstawaniu nieprzyjemnych zapachów w jego wnętrzu.

### Informacje o gazie chłodzącym



#### **OSTRZEŻENIE!**

Urządzenie zawiera łatwopalny czynnik chłodniczy IZOBUTAN (R600a). Upewnij się, że układ chłodniczy nie został uszkodzony podczas transportu lub instalacji. Wyciek czynnika może spowodować uszkodzenie wzroku lub zapalenie. Jeśli wystąpiło uszkodzenie, trzymaj urządzenie z dala od otwartych źródeł ognia, dokładnie przewietrz pomieszczenie, nie podłączaj ani nie odłączaj kabli zasilających tego lub innego urządzenia. Poinformuj obsługę klienta.

W przypadku kontaktu czynnika chłodniczego z oczami natychmiast przepłucz je pod bieżącą wodą i natychmiast skontaktuj się z okulistą.

**OSTRZEŻENIE:** Układ chłodniczy jest pod wysokim ciśnieniem. Nie manipuluj nim. Ponieważ stosowane są palne czynniki chłodnicze, urządzenie należy zainstalować, obsługiwać i serwisować ściśle według instrukcji obsługi i skontaktować się z profesjonalnym przedstawicielem lub naszym serwisem posprzedażowym w celu utylizacji urządzenia.

## Przeznaczenie


Urządzenie jest przeznaczone do użytku domowego oraz do innych podobnych zastosowań, takich jak

- użytkowanie w pomieszczeniach kuchennych przeznaczonych dla personelu sklepów, w biurach i innych miejscach pracy;
  - użytkowanie w gospodarstwach rolnych i pomieszczeniach dla klientów hoteli, w motelach oraz innych środowiskach mieszkalnych;
  - użytkowanie w pensjonatach;
  - użytkowanie w środowisku cateringowym i przy innych zastosowaniach niehandlowych.
- ▶ Aby zapewnić bezpieczne przechowywanie wina, należy postępować zgodnie z niniejszą instrukcją obsługi.
  - ▶ Szczegółowe informacje na temat najbardziej odpowiedniej części komory urządzenia do przechowywania określonych rodzajów żywności, z uwzględnieniem rozkładu temperatury w poszczególnych przedziałach urządzenia, znajdują się w drugiej części instrukcji.

Zmiany lub modyfikacje urządzenia są niedozwolone. Użycie niezgodne z przeznaczeniem może spowodować zagrożenie i utratę roszczeń gwarancyjnych.

## Utylizacja



Symbol  na produkcie lub jego opakowaniu wskazuje, że produkt nie może być traktowany jak odpady gospodarstwa domowego. Należy go oddać do odpowiedniego punktu zbiórki zużytego sprzętu elektrycznego i elektronicznego do recyklingu. Zapewniając prawidłową utylizację urządzenia, pomagasz zapobiegać ewentualnym negatywnym konsekwencjom dla środowiska i zdrowia ludzkiego, które mogą wystąpić na skutek nieprawidłowego przetwarzania odpadów z niniejszego urządzenia. W celu uzyskania bardziej szczegółowych informacji na temat recyklingu tego produktu należy skontaktować się z lokalnym urzędem miasta, służbą utylizacji odpadów domowych lub sklepem, w którym produkt został zakupiony.

W związku z tym, że stosowane są palne gazy izolacyjne, w celu utylizacji urządzenia prosimy o kontakt z profesjonalnym przedstawicielem lub naszym serwisem posprzedażowym.

## **OSTRZEŻENIE!**

### **Ryzyko obrażeń lub uduszenia!**

Czynniki chłodnicze i gazy muszą być utylizowane w profesjonalny sposób. Przed utylizacją upewnij się, że przewody układu chłodniczego nie są uszkodzone. Odłącz urządzenie od zasilania sieciowego. Odetnij przewód zasilający i utylizuj go. Usuń tace i szuflady oraz zamek drzwi i uszczelki, aby zapobiec zamknięciu się dzieci i zwierząt w urządzeniu.

- ▶ **OSTRZEŻENIE:** Przed czyszczeniem odłącz urządzenie od zasilania sieciowego.
- ▶ Nie czyść urządzenia za pomocą twardych szczotek, szczotek drucianych, detergentów, octanu, acetonu i podobnych roztworów organicznych, kwasu lub roztworów alkalicznych. Do czyszczenia należy używać specjalnego detergentu do lodówek, aby uniknąć uszkodzenia.
- ▶ Czyść urządzenie, gdy nie ma w nim wina lub przechowywana jest jego niewielka ilość. Urządzenie należy czyścić tylko wtedy, gdy jest brudne.
- ▶ Czyść wnętrze i obudowę urządzenia gąbką zwilżoną ciepłą wodą i neutralnym detergentem
- ▶ Spłucz czystą, ciepłą wodą i osusz miękką ściereczką.
- ▶ Nie należy myć żadnych części urządzenia w zmywarce do naczyń.
- ▶ Odczekaj co najmniej 7 minut przed ponownym uruchomieniem urządzenia, ponieważ częste uruchamianie może uszkodzić sprężarkę.

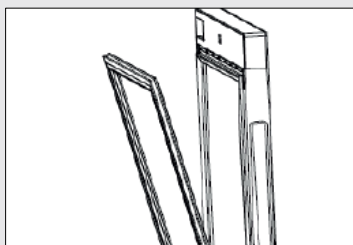


### Czyszczenie uszczelki drzwi:

- ▶ Uszczelki drzwi powinny być czyszczone co 3 miesiące, aby zapewnić właściwą szczelność. Postępuj w niżej opisany sposób:  
Zdejmovanie: Chwyć za uszczelkę drzwi i wyciągnij ją zgodnie z kierunkiem strzałki.

Zanurz szczotkę w wodzie lub alkoholu spożywczym i przesuwając ją w przód i w tył, wyczyść rowek uszczelki drzwi.

Następnie przetrzyj powierzchnię uszczelki drzwi ręcznikiem zamoczonym w wodzie lub alkoholu spożywczym. Na koniec umyj uszczelkę drzwi i wytrzyj ją do sucha czystym ręcznikiem.



**Zakładanie uszczelki drzwi po czyszczeniu:**

Przed założeniem upewnij się, czy uszczelka drzwi jest sucha. Wsuń uszczelkę drzwi w rowek i dociskaj ją ręcznie od góry do dołu, aż do momentu, gdy cała uszczelka zostanie w nim umieszczona.

**Czyszczenie półek:**

- ▶ Wszystkie półki można wyjąć w celu ich wyczyszczenia.
- ▶ Wyjmij wszystkie butelki.
- ▶ Unieś lekko każdą półkę i ją wyjmij.
- ▶ Wyczyść półkę miękkim ręcznikiem.
- ▶ Poczekaj, aż półki wyschną zanim włożysz je ponownie do środka.

**OSTRZEŻENIE:**

Odczekaj co najmniej 7 minut, aby ponownie podłączyć zasilanie po jego odłączeniu.

Sprawdź akcesoria i literaturę zgodnie z tą listą; bez izolacji.

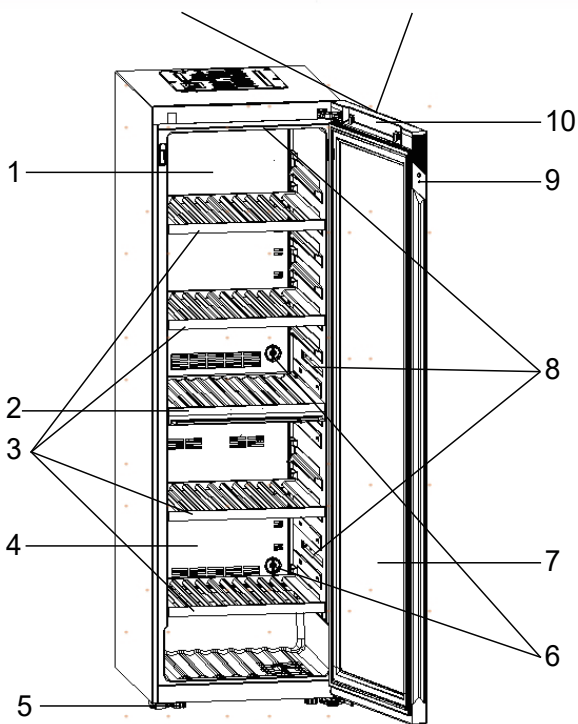
Nazwa	Instrukcja obsługi	Karta serwisowa	Półka	Ośłona zawiasu	Etykieta wydajności energetycznej	Klucz
HWS247GGU1	1	1	5	1	1	2
HWS236GDGU1	1	1	4	1	1	2



## Uwaga

Z powodu zmian technicznych i różnych modeli, niektóre ilustracje w tej instrukcji mogą się różnić od Twojego modelu.

## Zdjęcie urządzenia



(HWS236GDGU1)

- |                                          |                |
|------------------------------------------|----------------|
| 1. Przegroda górnego kanału powietrza    | 6. Drzwiczki   |
| 2. Półka                                 | 7. Lampa LED   |
| 3. Przegroda dolnego kanału powietrznego | 8. Blokada     |
| 4. Regulowane nóżki                      | 9. Wyświetlacz |
| 5. Aktywowany filtr węglowy              |                |

## 1. Rozpakowanie

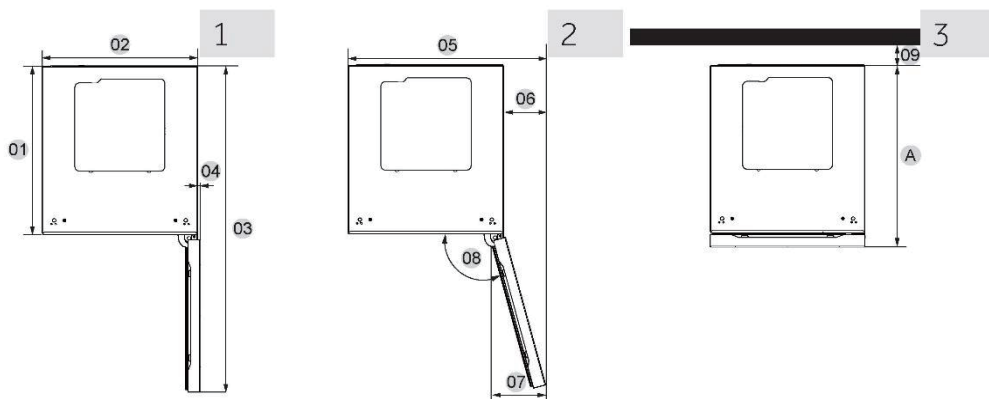
- ▶ Wymij urządzenie z opakowania.
- ▶ Usuń wszystkie materiały opakowaniowe, łącznie z podłożem z pianki i taśmą samoprzylepną przytrzymującą akcesoria.

## 2. Warunki środowiskowe

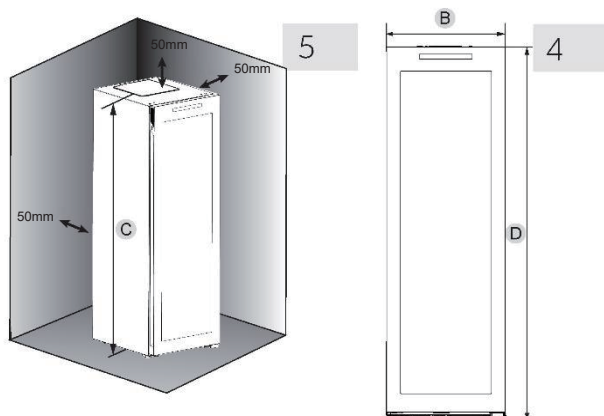
Temperatura w pomieszczeniu powinna zawsze wynosić od 10 °C do 38 °C, ponieważ może wpływać na temperaturę wewnątrz urządzenia i zużycie energii. Nie ustawiaj urządzenia w pobliżu innych urządzeń bez izolacji emitujących ciepło (piekarniki, lodówki).

## 3. Wymagana przestrzeń

Wymagana przestrzeń do otwarcia drzwi (rys. 1, 2, 3, 4); Ze względu na bezpieczeństwo i wydajność energetyczną należy zachować wymagany odstęp wentylacyjny wynoszący 50 cm z każdej strony (rys. 5).



Measurement: mm	HWS247GGU1	HWS236GDGU1
Głębokość A	714	714
Szerokość B	597	597
Wzrost C	1905	1905
Całkowita wysokość D	1900	1900
01	654	654
02	595	595
03	1273	1273
04	11	11
05	756	756
06	161	161
07	200	200
08	105°	105°
09	50	50



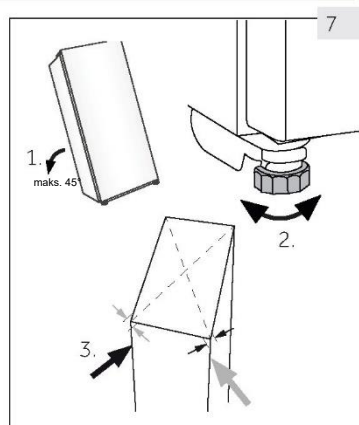
**OSTRZEŻENIE!**

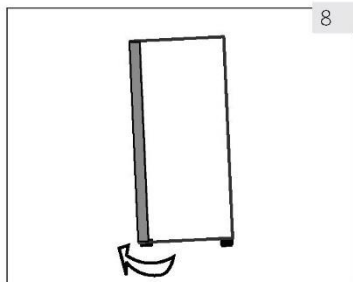
- ▶ Należy dbać o drożność otworów wentylacyjnych w obudowie urządzenia wolnostojącego lub w konstrukcji do zabudowy. To urządzenie chłodnicze nie jest przeznaczone do zabudowy

**5. Ustawianie urządzenia**

Urządzenie powinno być umieszczone na płaskiej i stabilnej powierzchni.

1. Przechylił urządzenie lekko do tyłu (rys. 7).
2. Ustaw nóżki na odpowiednim poziomie, obracając je.
3. Stabilność można sprawdzić, popychając urządzenie naprzemiennie w linii przekątnych. Lekkie kołysanie powinno być takie same w obu kierunkach. W przeciwnym razie rama może się wykrzywić; w rezultacie może dojść do rozszczelnienia drzwi. Niewielki przechył do tyłu pomaga przy zamykaniu drzwi.





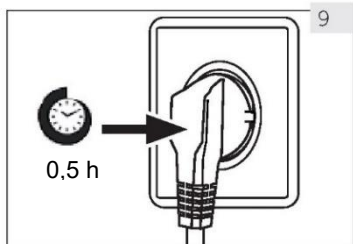
8

## 6. Regulowanie drzwi

Urządzenie zamyka się łatwiej, gdy używane są nóżki poziomujące z przodu:

Obracaj regulowane nóżki (rys. 8), aby je podwyższyć lub obniżyć:

- ▶ Obracanie nóżek zgodnie z ruchem wskazówek zegara podnosi urządzenie.
- ▶ Obracanie nóżek w kierunku przeciwnym do ruchu wskazówek zegara obniża urządzenie.



9

## 7. Czas oczekiwania

W zbiorniku sprężarki znajduje się olej bezobsługowy. Olej ten może przedostać się poprzez zamknięty system rur podczas transportu przechylonego urządzenia. Przed podłączeniem urządzenia do zasilania trzeba odczekać 0,5 godziny (rys. 9), aby olej spłynął z powrotem do zbiornika.

## 8. Podłączenie do prądu

Przed każdym podłączeniem sprawdź, czy:

- ▶ zasilacz, gniazdo i bezpieczniki odpowiadają parametrom podanym na tabliczce znamionowej.
- ▶ gniazdko jest uziemione i nie zastosowano rozgałęźnika lub przedłużacza.
- ▶ wtyczka i gniazdko są odpowiednio dopasowane.

Podłącz wtyczkę do prawidłowo zainstalowanego gniazdka domowego.



### OSTRZEŻENIE!

Aby uniknąć ryzyka, uszkodzony przewód zasilający musi być wymieniony przez serwis (zob. karta gwarancyjna).

## 9. Zmiana kierunku otwierania drzwi

Przed podłączeniem urządzenia do zasilania należy sprawdzić, czy nie trzeba zmienić kierunku otwierania drzwi z prawego (ustawienie przy odbiorze) na lewy, jeśli jest to konieczne ze względu na miejsce instalacji i użytkownika

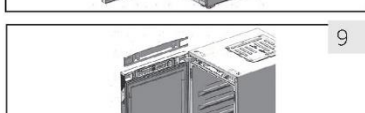
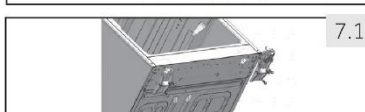
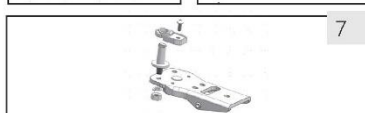
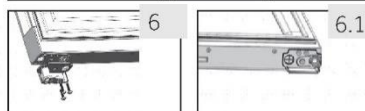
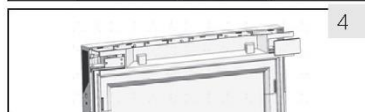
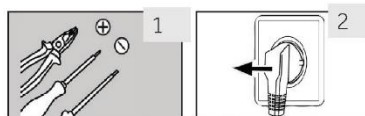


### OSTRZEŻENIE!

- ▶ Urządzenie jest ciężkie. Potrzebne są dwie osoby do zmiany kierunku otwierania drzwi.
- ▶ Przed rozpoczęciem jakichkolwiek czynności należy najpierw odłączyć urządzenie od sieci.
- ▶ Nie przechylaj lodówki bardziej niż 45°, aby uniknąć uszkodzenia układu chłodniczego.

## Etapy montażu

1. Używaj odpowiednich narzędzi.
2. Odłącz urządzenie od prądu.
3. Zdejmij osłonę górnej belki i małą osłonę. Lewy i prawy montaż transpozycyjny małej osłony.
4. Zdejmij osłonę korytka kablowego i osłonę wykończeniową. Lewy i prawy montaż transpozycyjny osłony dekoracyjnej. Usuń czarną gumową zatyczkę z lewego dziurki od klucza po wewnętrznej stronie korpusu drzwi i zainstaluj ją na prawym dziurce od klucza.
5. Zdejmij osłonę zawiasu. Użyj narzędzia, aby odkręcić 3 śruby i zdejmij obudowę portalu.
6. Odkręć 3 śruby pod obudową portalu za pomocą narzędzia, krzywki obudowy portalu i ogranicznika drzwi, lewa i prawa transpozycja jest zainstalowana po drugiej stronie obudowy portalu.
7. Wyjmij zawias skrzyniowy za pomocą narzędzia, najpierw wyjmij krzywkę zawiasu w dolnym zawiasie, włóż trzpień zawiasu do prawego otworu na śrubę, zamontuj. Instalacja transpozycyjna z zespołem wspornika kółka po prawej stronie pudełka.
8. Obudowa portalu jest zainstalowana pionowo w dół na trzpieniu zawiasu.
9. Zawias górny wkłada się w otwór trzpienia obudowy portalu, przykręć skrzynkę śrubami, zainstaluj osłonę skrzynki drucianej i osłonę belki górnej.



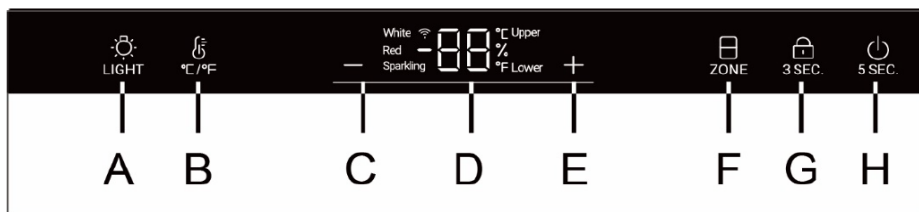
## 1. Przed pierwszym użyciem

- ▶ Usuń całe opakowanie. Należą do niego podłoże z pianki oraz taśma samoprzylepna przytrzymująca akcesoria chłodziarki do wina wewnątrz i na zewnątrz. Trzymaj opakowanie w miejscu niedostępnym dla dzieci i usuń je w sposób przyjazny dla środowiska.
- ▶ Przed włożeniem wina wyczyść wnętrze i obudowę urządzenia wodą z dodatkiem łagodnego detergentu.
- ▶ Po wypoziomowaniu i wyczyszczeniu urządzenia odczekaj co najmniej 2 godzin przed podłączeniem go do zasilania. Jeżeli chłodziarka na wino została przechylona z jakiegokolwiek powodu, odczekaj 24 godziny przed jej podłączeniem. Zobacz rozdział MONTAŻ.
- ▶ Po podłączeniu urządzenia do gniazdka elektrycznego należy pozostawić je na co najmniej 30 minut w celu aklimatyzacji przed dokonaniem jakichkolwiek regulacji.
- ▶ Temperatura jest automatycznie ustawiana na 12°C. W razie potrzeby można zmienić temperaturę ręcznie. Zob. rozdział TEMPERATURA.

## 2. Przyciski dotykowe

Przyciski na panelu sterowania są klawiszami czujników, które reagują przy delikatnym dotknięciu palcem.

## 3. Opis panelu sterowania



- |                                         |                                          |
|-----------------------------------------|------------------------------------------|
| A Przycisk oświetlenia wnętrza          | E Przycisk regulacji temperatury: w górę |
| B Przycisk zmiany °C/°F                 | F Wybór strefy temperatury               |
| C Przycisk regulacji temperatury: w dół | G Przycisk blokady                       |
| D Wyświetlacz                           | H Przycisk zasilania                     |

## 4. Funkcja automatycznego blokowania

W przypadku blokady ekranu naciśnij i przytrzymaj klawisz blokady przez 3 sekundy, ekran wyświetlacza wyświetla 3, 2 i 1, ekran wyświetlacza zostaje odblokowany, a ikona blokady jest w połowie podświetlona; W przypadku braku operacji ekran zostanie automatycznie zablokowany po 30 sekundach. W przypadku blokady ekranu wszystkie ikony klawiszy blokady są włączone, a klawisze na ekranie wyświetlacza nie mogą być obsługiwane (z wyjątkiem klawisza podświetlenia);

## 5. Działanie przycisku zasilania

Gdy ekran jest wyłączony, dotknij dowolnego klawisza, a wyświetlacz się zaświeci; Przytrzymaj klawisz zasilania, na ekranie wyświetlacza pojawi się 5, 4, 3, 2 i 1, a zasilanie całego urządzenia zostanie wyłączone. Gdy zasilanie jest wyłączone, przytrzymaj klawisz zasilania, aby wyświetlić 5, 4, 3, 2, 1. Zasilanie jest włączone.

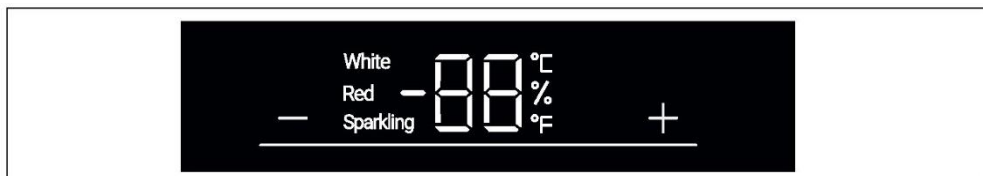
## 6. Ustawianie temperatury



### Uwaga

#### Ustawienia wstępne

- ▶ Po podłączeniu urządzenia do gniazdka elektrycznego należy pozostawić je na co najmniej 30 minut w celu aklimatyzacji przed dokonaniem jakichkolwiek regulacji.
- ▶ Gdy urządzenie zostanie włączone po uprzednim odłączeniu od głównego źródła zasilania, osiągnięcie prawidłowej temperatury może potrwać kilka godzin. Dokładny czas zmienia się w zależności od otoczenia i ustawienia temperatury.



Naciśnij przycisk lub , wyświetlacz zacznie migać. Naciśnij przycisk lub , aby ustawić żądaną temperaturę. Zakres ustawień temperatury: 5-20°C (41-68°F). Nie naciskaj przycisku przez 3 sekundy, temperatura zostanie potwierdzona.

## 7. Tryb lub funkcja strefy

Naciśnij przycisk , zmiana temperatury z błyszczącej (8 °C/47 °F) na białą (12 °C/54 °F) i czerwoną (16 °C/61 °F) HWS247GGU1.

W stanie odblokowania włączona jest cała ikona . Jeśli aktualne wskazanie na wyświetlaczu jest w górnej strefie temperatury, górna ikona jest włączona, a dolna wyłączona. Po naciśnięciu przycisku dolna ikona będzie włączona, a górna wyłączona HWS236GDGU1

## Zalecane ustawienia temperatury

Dla różnych rodzajów wina zalecane są następujące temperatury jego picia.

Czerwone wino	+13°C do +20°C (do +55°F do +68°C)	Wino musujące Prosecco	od +5°C do +8°C (od +41°F do 47°F)
Białe wino	+9°C do +12°C (od +48°F do +54°F)		

Aby przechowywać wino przez dłuższy czas, należy ustawić temperaturę w zakresie od +10°C do +12°C (50°F i +54°F).

## 8. Tryb czuwania

Ekran wyświetlacza jest automatycznie przyciemniany przez 30 sekund.

Włącza się on automatycznie, gdy naciśnię się którykolwiek przycisk lub otworzy się drzwi.



## Uwaga

### Wpływ na temperaturę

Następujące czynniki mają wpływ na temperaturę wewnątrz urządzenia:

- ▶ Temperatura otoczenia
- ▶ Liczba przechowywanych butelek
- ▶ Częstotliwość otwierania drzwi
- ▶ Miejsce zamontowania urządzenia

Domyślnie ustawiona jest temperatura 12°C

Gdy wyświetlacz przestaje migać, ponownie wskazuje aktualną temperaturę w chłodziarce do wina. Osiągnięcie ustawionej temperatury zajmie trochę czasu.

## 9. Ustawienie trybu oświetlenia

Naciśnij przycisk  . Jeżeli światła w komorze są włączone, będą się one zapalać

stopniowo. Po ponownym naciśnięciu przycisku  światła będą się stopniowo wyłączać.

## 10. Funkcja °C/°F

Naciśnij przycisk  w celu przełączania między stopniami Fahrenheita i Celsusa.

## 11. Pamięć funkcji podczas awarii zasilania

W przypadku przerwy w zasilaniu chłodziarka do wina automatycznie zapisuje ustawioną temperaturę. Po przywróceniu zasilania urządzenie będzie pracowało z temperaturą ustawioną przed utratą zasilania.

## 12. Funkcja kompensacji niskiej temperatury

Chłodziarka do wina posiada funkcję kompensacji niskiej temperatury w celu zapewnienia stabilności temperatury: Gdy temperatura otoczenia jest niższa od ustawionej temperatury, chłodziarka do wina automatycznie uruchamia funkcję kompensacji niskiej temperatury, ogrzewając urządzenie. Gdy temperatura w urządzeniu osiągnie ustawioną wartość, funkcja kompensacji niskiej temperatury zostanie automatycznie wyłączona.

## 13. Alarm otwarcia drzwi

Jeśli drzwi będą otwarte przez ponad 1 minutę, brzęczyk będzie wydawał sygnał alarmowy do czasu zamknięcia drzwi lub użycia dowolnego przycisku na panelu wyświetlacza.



## Wskazówki dotyczące oszczędzania energii

- ▶ Upewnij się, że urządzenie jest właściwie wentylowane (patrz MONTAŻ).
- ▶ Nie należy instalować urządzenia w bezpośrednim świetle słonecznym lub w pobliżu źródeł ciepła (np. pieców, grzejników).
- ▶ Unikaj niepotrzebnie niskiej temperatury w urządzeniu. Zużycie energii zwiększa się wraz z ustawieniem niższej temperatury w urządzeniu.
- ▶ Otwieraj drzwi możliwie rzadko i na krótko.
- ▶ Nie należy przekraczać dozwolonej liczby butelek, aby nie utrudniać przepływu powietrza.
- ▶ Utrzymuj w czystości uszczelki drzwi, aby zapewnić prawidłowe ich zamykanie.
- ▶ Najbardziej energooszczędna konfiguracja wymaga, aby szuflada, pojemnik na żywność i półki były umieszczone w urządzeniu jak w stanie fabrycznym, a żywność nie blokowała wylotu powietrza z kanału.

## 14. Ustawienie trybu Wi-Fi

ŁĄCZNOŚĆ PARAMETRY  
BEZPRZEWODOWE

Technologia	Wi-Fi	Bluetooth
Standard	IEE 802.11 b/g/n	Bluetooth v4.2, BR/EDR, BLE
Pasma częstotliwości [MHz]	2401÷2483	2402÷2480
Maksymalna moc [mW]Pasma(a) [MHz]	100	10

## INFORMACJE O PRODUKCIE

How to activate Wi-Fi module:

Jak aktywować moduł Wi-Fi:

- Naciśnij przycisk światła przez 3 sekundy, aby aktywować Wi-Fi
- Moduł Wi-Fi jest włączony, ikona Wi-Fi zaczyna migać
- Jeśli piwnica jest zarejestrowana, ale Wi-Fi jest wyłączone, ikona będzie migać. Jeśli piwnica na wino jest zarejestrowana i podłączona, ikona Wi-Fi jest zawsze włączona
- Aby zresetować Wi-Fi, naciśnij lampkę przez 3 sekundy

## W PROCEDURZE PAROWANIA APLIKACJI

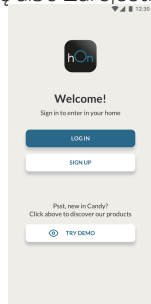
## Step 1

· Pobierz aplikację hOn ze sklepów



## Step 2

· Zaloguj się albo Zarejestruj



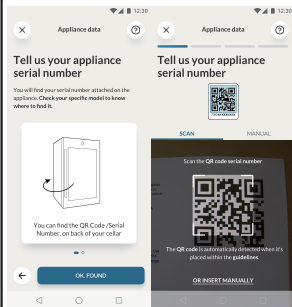
## Step 3

· Dodaj nowe urządzenie wybierając piwniczkę na wino z lista



## Step 4

. Zeskanuj kod QR lub wstaw ręcznie numer seryjny



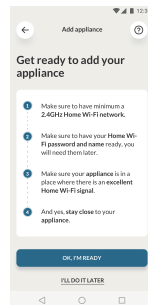
## Step 5

. Naciśnij przycisk światła na produkcie przez 3 s, aby aktywować Wi-Fi



## Step 6

. Ikona Wi-Fi zacznie migać, trwa proces parowania  
. Będziesz mieć 5 minut na zakończenie procesu parowania  
. Po zakończeniu procesu ikona Wi-Fi przestanie migać i pozostanie zawsze włączona  
**UWAGA**

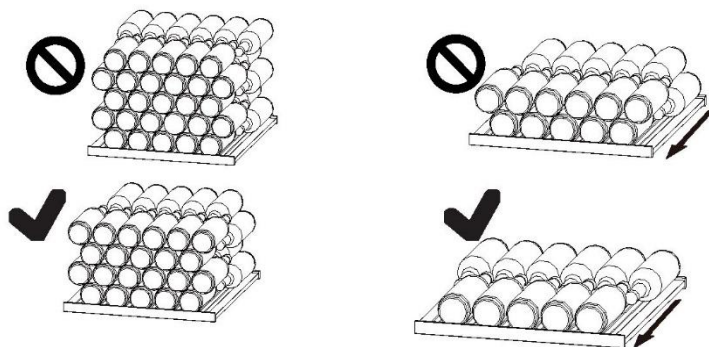


## 1. Półka


1. Półki są zaprojektowane w sposób ułatwiający przechowywanie i wyjmowanie wina. Można je czyścić miękkim ręcznikiem.
2. Standardowe butelki o średnicy 76 mm mogą być układane w stopy.
3. Butelki magnum można układać w stopy na dolnej półce.
4. Liczba butelek może się różnić się od przedstawionej na ilustracji, jeśli są one ułożone w inny sposób.

### Porady dotyczące rozmieszczenia butelek w chłodziarce do wina

Zalecamy, aby liczba butelek na wino nie przekraczała czterech warstw na każdej półce, a nośność półek na wino nie powinna przekraczać 60 butelek wewnątrz piwniczki na wino, sprawdź, czy półki na wino są całkowicie stabilne. Dodatkowo sprawdź, czy jakkolwiek butelka wystaje z półek, aby zapobiec uderzaniu butelek w szklane drzwiczki podczas zamykania.



## 2. Oświetlenie

Po otwarciu drzwi zapala się wewnętrzne oświetlenie LED. Aby włączyć światło, gdy drzwi są zamknięte, naciśnij przycisk  · wyłączyć światło, ponownie naciśnij przycisk. W celu zwiększenia wydajności energetycznej oświetlenie chłodziarki do wina powinno być wyłączone, gdy się do niej nie zagląda.

## 3. Zamek

Aby zamknąć chłodziarkę do wina, należy zamknąć drzwi i włożyć klucz do zamka:

- ▶ Zamknij drzwi, przekręcając klucz zgodnie z ruchem wskazówek zegara;
- ▶ Otwórz drzwi, przekręcając klucz w kierunku przeciwnym do ruchu wskazówek zegara.

## 1. Rozmrażanie

Rozmrażanie chłodziarki do wina przebiega automatycznie; nie jest wymagana ręczna obsługa.

## 2. Wymiana lamp LED

Jako źródło światła lampy wykorzystują diody LED, charakteryzujące się niskim zużyciem energii i długą żywotnością. W przypadku wystąpienia jakichkolwiek nieprawidłowości prosimy o kontakt z działem obsługi klienta. Zob. OBSŁUGA KLIENTA.



### OSTRZEŻENIE!

Nie wymieniaj samodzielnie lampy LED. Musi ona zostać wymieniona przez producenta albo przez autoryzowanego serwisanta.

## Parametry lampy LED:

Napięcie 12V

Maks. moc: 18W

## 3. Nieużytkowanie przez dłuższy okres

Odłącz przewód zasilający.

Wyczyść urządzenie i uszczelki drzwi jak opisano powyżej.

Zostaw drzwi otwarte, aby zapobiec tworzeniu się wewnątrz nieprzyjemnych zapachów.

## 4. Przenoszenie urządzenia

1. Wyjmij wszystkie butelki i odłącz urządzenie od zasilania.
2. Zabezpiecz taśmą klejącą półki i inne części ruchome w chłodziarce do wina.
3. Nie przechylaj chłodziarki do wina bardziej niż 45°, aby uniknąć uszkodzenia układu chłodniczego.

## 5. Wymiana powietrza z zastosowaniem filtra z węglem aktywnym

Sposób, w jaki wina nadal dojrzewają, zależy od warunków otoczenia. Dlatego jakość powietrza jest decydująca dla trwałości wina. W dolnej części tylnej ściany urządzenia zamontowano filtr z węglem aktywnym, aby zapewnić optymalną przepustowość.



### Uwaga

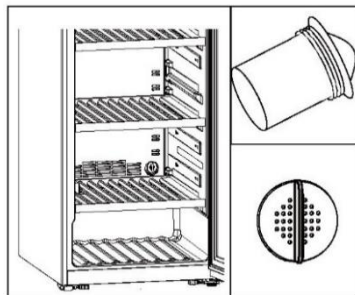
Zalecamy wymianę filtra raz w roku. Filtry można nabyć u dystrybutora.

## Wymiana filtra:

Chwyć filtr za uchwyt. Obróć w lewo i wyjmij.

## Zakładanie filtra:

Włóż za pomocą uchwytu w pionowej pozycji. Obróć w prawo i włóż.



Wiele problemów można rozwiązać samodzielnie, bez specjalistycznej wiedzy. W przypadku problemów prosimy sprawdzić wszystkie pokazane możliwości i postępować zgodnie z poniższymi instrukcjami przed skontaktowaniem się z obsługą posprzedażową. Zob. OBSŁUGA KLIENTA.



## OSTRZEŻENIE!

- ▶ Przed przystąpieniem do konserwacji wyłącz urządzenie i wyjmij wtyczkę z gniazdka sieciowego.
- ▶ Urządzenie elektryczne powinno być serwisowane tylko przez wykwalifikowanych ekspertów, ponieważ niewłaściwe naprawy mogą spowodować znaczne szkody.
- ▶ Jeśli kabel zasilania jest uszkodzony, musi on zostać wymieniony przez producenta, serwisanta lub inną wykwalifikowaną osobę w celu uniknięcia niebezpieczeństwa.

Kod usterki	Przyczyna	Rozwiązanie
L2	Alarm niskiej temperatury, gdy temperatura czujnika kontrolnego jest zbyt niska;	<ol style="list-style-type: none"> <li>1. Sprawdź temperaturę otoczenia.</li> <li>2. Sprawdź złącze sprężarki.</li> <li>3. Sprawdź rezystancję czujnika kontrolnego temperatury.</li> </ol>
H1	Gdy temperatura czujnika kontrolnego jest zbyt wysoka, alarm wysokiej temperatury zostanie wyświetlony na ekranie wyświetlacza;	<ol style="list-style-type: none"> <li>1. Sprawdź złącze tablicy sterowania lub panelu wyświetlacza.</li> <li>2. Sprawdź rezystancję i napięcie wentylatora.</li> <li>3. Sprawdź wentylator i złącze sprężarki.</li> </ol>

Problem	Potencjalna przyczyna	Możliwe rozwiązanie
Sprężarka nie działa.	<ul style="list-style-type: none"> <li>Wtyczka sieciowa nie jest podłączona do gniazdka.</li> </ul>	<ul style="list-style-type: none"> <li>Podłącz wtyczkę sieciową.</li> </ul>
Urządzenie działa często lub przez zbyt długi okres czasu.	<ul style="list-style-type: none"> <li>Temperatura otoczenia jest za wysoka.</li> <li>Urządzenie było odłączone od zasilania przez jakiś okres czasu.</li> <li>Drzwi urządzenia nie są szczelnie zamknięte.</li> <li>Drzwi były za często otwierane lub pozostawały długo otwarte.</li> <li>Uszczelki drzwi są brudne, zużyte, pęknięte lub niedopasowane.</li> <li>Wymagany przepływ powietrza nie jest gwarantowany.</li> <li>Temperatura jest za niska.</li> </ul>	<ul style="list-style-type: none"> <li>W tym przypadku to normalne, że urządzenie będzie pracować dłużej.</li> <li>Zwykle potrzeba trochę czasu, aby urządzenie całkowicie ostygło.</li> <li>Zamknij drzwi i upewnij się, że urządzenie znajduje się na płaskiej powierzchni, ani że jedzenie lub szuflady nie blokują drzwi.</li> <li>Nie otwieraj drzwi zbyt często.</li> <li>Wyczyść uszczelki drzwi lub wymień je z pomocą serwisu obsługi klienta.</li> <li>Zapewnij odpowiednią wentylację.</li> <li>Problem rozwiąże się sam po osiągnięciu żądanej temperatury.</li> </ul>
Wnętrze chłodziarki do wina jest brudne i/lub nieprzyjemnie pachnie.	<ul style="list-style-type: none"> <li>Wnętrze chłodziarki do wina wymaga czyszczenia.</li> </ul>	<ul style="list-style-type: none"> <li>Wyczyść wnętrze chłodziarki do wina.</li> </ul>
Wewnątrz urządzenia nie jest wystarczająco zimno.	<ul style="list-style-type: none"> <li>Ustawiona temperatura jest za wysoka.</li> <li>Niedawno dołożono butelki.</li> <li>Drzwi urządzenia nie są szczelnie zamknięte.</li> <li>Drzwi były za często otwierane lub pozostawały długo otwarte.</li> <li>Uszczelki drzwi są brudne, zużyte, pęknięte lub niedopasowane.</li> </ul>	<ul style="list-style-type: none"> <li>Ponownie ustaw temperaturę.</li> <li>Poczekaj, aż ostatnio włożone butelki osiągną pożądaną temperaturę.</li> <li>Zamknij drzwi.</li> <li>Nie otwieraj drzwi zbyt często.</li> <li>Wyczyść uszczelki drzwi lub wymień je z pomocą serwisu obsługi klienta.</li> </ul>
Wewnątrz urządzenia jest za zimne.	<ul style="list-style-type: none"> <li>Temperatura jest za niska.</li> </ul>	<ul style="list-style-type: none"> <li>Ponownie ustaw temperaturę.</li> </ul>
Powstawanie wilgoci na wewnętrznych ściankach komory.	<ul style="list-style-type: none"> <li>Klimat jest zbyt ciepły i zbyt wilgotny.</li> <li>Drzwi urządzenia nie są szczelnie zamknięte.</li> <li>Drzwi były za często otwierane lub pozostawały długo otwarte.</li> </ul>	<ul style="list-style-type: none"> <li>Zwiększ temperaturę.</li> <li>Zamknij drzwi.</li> <li>Nie otwieraj drzwi/szuflad zbyt często.</li> </ul>

Problem	Potencjalna przyczyna	Możliwe rozwiązanie
Wilgoć gromadzi się na powierzchni zewnętrznej chłodziarki do wina.	<ul style="list-style-type: none"> <li>Klimat jest zbyt ciepły i wilgotny</li> <li>Drzwi nie są szczelnie zamknięte. Zimne powietrze skrapla się wewnątrz urządzenia, a ciepłe powietrze na zewnątrz.</li> </ul>	<ul style="list-style-type: none"> <li>Jest to normalne zjawisko w wilgotnym klimacie i zmienia się, gdy wilgotność spadnie.</li> <li>Upewnij się, że drzwi są szczelnie zamknięte, a uszczelki prawidłowo uszczelniają.</li> </ul>
Urządzenie wydaje niestandardowe dźwięki	<ul style="list-style-type: none"> <li>Urządzenie nie znajduje się na wypoziomowanym podłożu.</li> <li>Urządzenie dotyka jakiegoś obiektu.</li> </ul>	<ul style="list-style-type: none"> <li>Wyreguluj nóżki, aby wypoziomować urządzenie.</li> <li>Usuń obiekty znajdujące się w pobliżu urządzenia.</li> </ul>
Słychać delikatny szum podobny do wody.	<ul style="list-style-type: none"> <li>To jest normalne</li> </ul>	<ul style="list-style-type: none"> <li>-</li> </ul>
Oświetlenie wnętrza lub układ chłodzenia nie działa.	<ul style="list-style-type: none"> <li>Wtyczka sieciowa nie jest podłączona do gniazdka.</li> <li>Zasilanie nie jest w dobrym stanie.</li> <li>Lampa LED nie działa.</li> </ul>	<ul style="list-style-type: none"> <li>Podłącz wtyczkę sieciową.</li> <li>Sprawdź zasilanie elektryczne w pomieszczeniu. Skontaktuj się z lokalnym dostawcą energii elektrycznej.</li> <li>Proszę wezwać serwis do wymiany lampy</li> </ul>
Boki obudowy i listwa drzwiowa nagrzewają się	<ul style="list-style-type: none"> <li>To jest normalne.</li> </ul>	<ul style="list-style-type: none"> <li>-</li> </ul>
Drzwi nie zamykają się prawidłowo	<ul style="list-style-type: none"> <li>Urządzenie nie zostało wypoziomowane.</li> <li>Drzwi są zablokowane.</li> </ul>	<ul style="list-style-type: none"> <li>Wypoziomuj urządzenie za pomocą nóżek poziomujących.</li> <li>Sprawdź, czy butelki lub półki nie stanowią blokady.</li> </ul>

Aby skontaktować się z pomocą techniczną, odwiedź naszą stronę internetową: <https://corporate.haier-europe.com/en/>

W sekcji „Strona internetowa” wybierz markę swojego produktu i kraj. Zostaniesz przekierowany/a na konkretną stronę internetową, na której znajdziesz numer telefonu i formularz do kontaktu z pomocą techniczną.

Karta produktu, zgodnie z rozporządzeniem UE nr 2019/2016

Marka	Haier	Haier
Nazwa modelu / identyfikator	HWS247GGU1	HWS236GDGU1
Kategoria	Wine Cellar	Wine Cellar
Klasa efektywności energetycznej	G	G
Roczne zużycie energii (kWh/rok) <sup>1)</sup>	184	184
Objętość komory (l)	450	448
Klasa klimatyczna: To urządzenie jest przeznaczone do użytkowania w temperaturze otoczenia od 10°C do 38°C.	SN N ST	SN N ST
Poziom emitowanego hałasu (db(A) re 1pW)	C(37)	C(37)
Rodzaj konstrukcji	Freestanding	Freestanding
To urządzenie jest przeznaczone wyłącznie do przechowywania wina.	Yes	Yes
Wymiary (szer./gł./wys. w mm)	597/714/1900	597/714/1900

Objaśnienie:

1)na podstawie standardowych wyników testów dla okresu 24 godzin. Rzeczywisty pobór mocy zależy od rzeczywistego otoczenia, ilości rozlewu, ustawionej temperatury, otwierania i zamykania drzwi itp.

2)Nominalny pobór mocy jest wartością ustaloną na podstawie standardowego testu, gdy w komorze na wino nie włącza się wewnętrzne światło.

- rozszerzony zakres temperatur „To urządzenie chłodnicze przeznaczone jest do użytkowania w temperaturze otoczenia od 10°C do 32°C”
- umiarkowany: „To urządzenie chłodnicze przeznaczone jest do użytkowania w temperaturze otoczenia od 16 °C do 32°C”
- subtropikalny: „To urządzenie chłodnicze przeznaczone jest do użytkowania w temperaturze otoczenia od 16 °C do 38 °C”
- tropikalny (T): „To urządzenie chłodnicze przeznaczone jest do użytkowania w temperaturze otoczenia od 16 °C do 43 °C”

## Normy i dyrektywy

Produkt ten spełnia wymagania wszystkich obowiązujących dyrektyw UE z odpowiednimi normami zharmonizowanymi, które przewidują oznakowanie CE.

Polecamy nasz system Obsługi Klienta Haier i stosowanie oryginalnych części zamiennych. Jeśli masz problem z urządzeniem, najpierw sprawdź sekcję ROZWIĄZYWANIE PROBLEMÓW.

Jeżeli nie możesz znaleźć rozwiązania, prosimy o

- ▶ kontakt z lokalnym sprzedawcą lub
- ▶ serwisem poprzez stronę internetową [www.haier.com](http://www.haier.com), na której można znaleźć numery telefonów i FAQ oraz aktywować roszczenia serwisowe.

Aby skontaktować się z naszym działem obsługi, upewnij się, że masz następujące dane.

Informacje można znaleźć na tabliczce znamionowej.

Model \_\_\_\_\_ Nr seryjny \_\_\_\_\_

Sprawdź także kartę gwarancyjną dostarczoną z produktem. Dla ogólnych zapytań biznesowych znajdziesz poniżej nasze adresy w Europie:

#### Europejskie adresy Haier

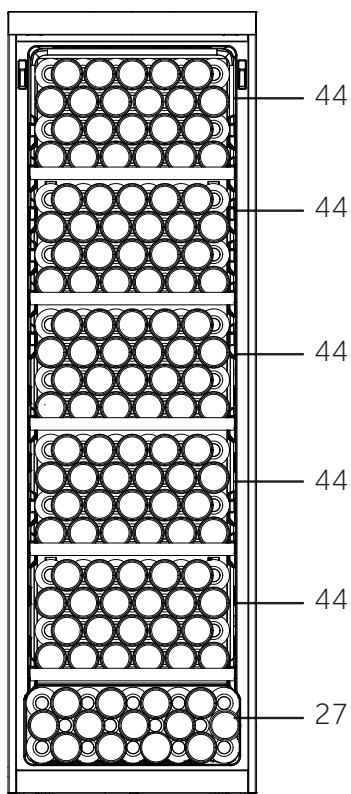
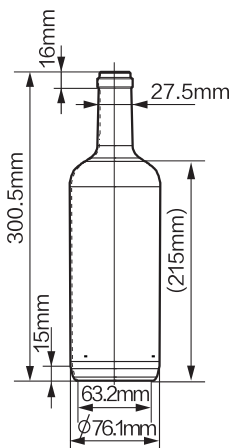
Kraj*	Adres pocztowy	Kraj	Adres pocztowy
<b>Włochy</b>	Haier Europe Trading SRL Via De Cristoforis, 12 21100 Varese WŁOCHY	<b>Francja</b>	Haier Europe Trading SRL Via De Cristoforis, 12 21100 Varese WŁOCHY
<b>Hiszpania</b> <b>Portugalia</b>	Haier Iberia SL Pg. Garcia Faria, 49-51 08019 Barcelona HISPANIA	<b>Belgia FR</b> <b>Belgia NL</b> <b>Holandia</b> <b>Luksemburg</b>	Haier Benelux SA Anderlecht Route de Lennik 451 BELGIUM
<b>Niemcy</b> <b>Austria</b>	Haier Deutschland GmbH Hewlett-Packard-Str. 4 D-61352 Bad Homburg NIEMCY	<b>Polska</b> <b>Czechy</b> <b>Węgry</b> <b>Grecja</b> <b>Rumunia</b> <b>Rosja</b>	Haier Poland Sp. zo.o. Al. Jerozolimskie 181B 02-222 Warszawa POLSKA
<b>Wielka Brytania</b>	Haier Appliances UK Co. Ltd. One Crown Square Church Street East Woking, Surrey, GU21 6HR UK		

**DOSTĘPNOŚĆ CZĘŚCI ZAMIENNYCH:** Termostaty, czujniki temperatury, płytki drukowane i źródła światła są dostępne przez okres co najmniej siedem lat od wprowadzenia na rynek ostatniego egzemplarza modelu. Klamki, zawiasy drzwi, tace i kosze przez okres co najmniej siedem lat, a uszczelki drzwi przez okres co najmniej 10 lat od wprowadzenia na rynek ostatniego egzemplarza modelu.

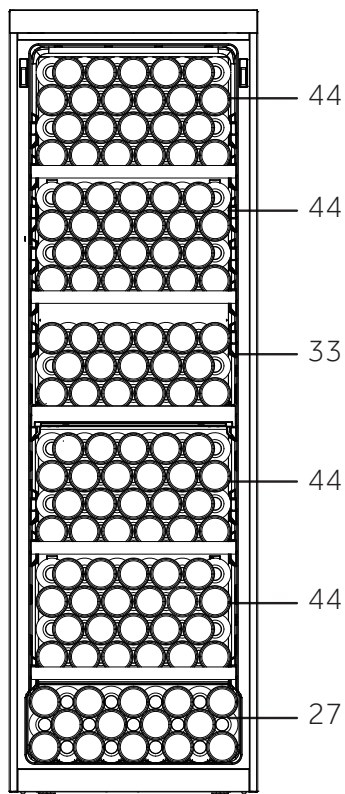
**Minimalna gwarancja wynosi:** 2 lata dla krajów UE, 3 lata dla Turcji, 1 rok dla Wielkiej Brytanii, 1 rok dla Rosji, 3 lata dla Szwecji, 2 lata dla Serbii, 5 lat dla Norwegii, 1 rok dla Maroka, 6 miesięcy dla Algierii, w Tunezji nie jest wymagana gwarancja prawna.

**Aby uzyskać więcej informacji o produkcie, odwiedź stronę internetową**

<https://eprel.ec.europa.eu/> lub zeskanuj kod QR na etykiecie energetycznej dołączonej do urządzenia.



**HWS247GGU1**



**HWS236GDGU1**







Haier

Manual do utilizador

Garrafeira

HWS247GGU1  
HWS236GDGU1

PT

**Haier**

## Obrigado por comprar um produto Haier.

Leia atentamente estas instruções antes de utilizar este aparelho. As instruções contêm informações importantes que irão ajudá-lo a obter o melhor proveito do aparelho e garantir a instalação, o uso e a manutenção seguros e adequados.

Mantenha este manual num local conveniente para que o possa sempre consultar para uma utilização segura e adequada do aparelho.

Se vender, oferecer ou deixar o aparelho para trás, caso mude de casa, certifique-se de que passa também este manual para que o novo proprietário se possa familiarizar com o aparelho e avisos de segurança.



### Legenda

#### Aviso - Informação de Segurança Importante



Informações gerais e dicas



Informação ambiental



### Eliminação

Ajude a proteger o ambiente e a saúde humana. Coloque a embalagem em recipientes adequados para reciclar. Ajude a reciclar resíduos de aparelhos elétricos e eletrônicos. Não elimine os aparelhos marcados com este símbolo em conjunto com o lixo doméstico. Entregue o produto na sua instalação de reciclagem local ou entre em contato com seu escritório municipal.



## AVISO!

### Risco de lesão ou sufocação!

Os fluidos refrigerantes e os gases devem ser eliminados de forma profissional. Certifique-se de que os tubos do circuito refrigerante não estão danificados antes de serem devidamente eliminados. Desligue o aparelho da alimentação elétrica. Corte o cabo de alimentação de rede e elimine-o. Remova as bandejas e gavetas, bem como a pega e vedantes da porta, para evitar que crianças e animais de estimação se fechem no aparelho.

Os aparelhos antigos ainda têm algum valor residual. Um método de eliminação ecológico assegura que matérias-primas valiosas podem ser novamente recuperadas e utilizadas.

O ciclopentano, uma substância inflamável não prejudicial ao ozônio, é utilizado como expansor para a espuma de isolamento.

Ao assegurar que este produto é eliminado devidamente, irá ajudar a prevenir consequências potencialmente negativas para o ambiente e para a saúde humana, que de outra forma poderiam ser causadas.

Para informações mais detalhadas sobre reciclagem deste produto, contacte a sua autarquia, o seu serviço de eliminação de resíduos domésticos ou a loja onde adquiriu o produto, manuseado pelos profissionais.

1-Informações de segurança .....	4
2-Dicas de segurança .....	7
3-Manutenção .....	11
4-Acessórios.....	13
5-Descrição do produto.....	14
6-Instalação.....	15
7-Utilização .....	19
8-Dicas de poupança de energia .....	24
9-Equipamento .....	25
10-Cuidados e limpeza.....	26
11-Resolução de problemas.....	27
12-Dados técnicos.....	30
13-Assistência ao cliente.....	31
14-Empilhamento de garrafas de vinho .....	32

Este aparelho destina-se exclusivamente ao armazenamento de vinho. Antes de ligar o aparelho pela primeira vez, leia as seguintes dicas de segurança:



## AVISO!

### Antes da primeira utilização

- ▶ Certifique-se de que não há danos provocados pelo transporte.
- ▶ Remova todas as embalagens e mantenha fora do alcance das crianças e elimine-as de forma ecológica.
- ▶ Aguarde, no mínimo, meia hora antes de instalar o aparelho, de forma a garantir que o circuito refrigerante está com eficiência total.
- ▶ Manuseie o aparelho sempre com pelo menos duas pessoas porque é pesado.

### Instalação

- ▶ O aparelho deve ser colocado num local bem ventilado. Certifique-se de que existe um espaço de pelo menos 50 mm por cima e ao redor do aparelho.
- ▶ **AVISO:** Mantenha as aberturas de ventilação, no revestimento do aparelho ou na estrutura integrada, livres de obstruções.
- ▶ Nunca coloque o aparelho numa área húmida ou num local onde possa ser salpicado com água. Limpe e seque as salpicos de água e manchas com um pano macio limpo.
- ▶ Não instale a sua garrafeira num local que não esteja devidamente isolado ou aquecido como, por exemplo, uma garagem. A sua garrafeira não foi concebida para funcionar a uma temperatura ambiente inferior a 10 °C.
- ▶ Não instale o aparelho sob luz solar direta ou na proximidade de fontes de calor (por exemplo, fogões, aquecedores).
- ▶ Instale e nivele o aparelho numa área adequada para o seu tamanho e utilização.
- ▶ Certifique-se de que as informações elétricas na placa de classificação correspondem à fonte de alimentação. Se não, entre em contato com um electricista.
- ▶ O aparelho é operado por uma fonte de alimentação de 220-240 VAC/ 50 Hz. Uma flutuação da tensão anormal pode fazer com que o aparelho não ligue ou danifique o controlo da temperatura ou o compressor, ou pode haver um ruído anormal durante o funcionamento. Nesse caso, deve ser montado um regulador automático.
- ▶ Não use adaptadores de fichas múltiplas nem cabos de extensão.

**AVISO!**

- ▶ **AVISO:** Não coloque tomadas triplas múltiplas portáteis ou fontes de alimentação portáteis na parte traseira do aparelho.
- ▶ **AVISO:** Ao posicionar o aparelho, certifique-se de que o cabo de alimentação não se encontra preso nem danificado.
- ▶ Não pise o cabo de alimentação.
- ▶ Use uma tomada de terra separada para a fonte de alimentação que seja fácil de aceder. Este aparelho deve ser ligado à terra.
- ▶ **Apenas para o Reino Unido:** O cabo de alimentação do aparelho está equipado com uma ficha de 3 cabos (terra) que se encaixa numa tomada standard de 3 cabos (ligada à terra). Nunca corte ou desmonte o terceiro pino (terra). Após a instalação do aparelho, a tomada deve ficar acessível.
- ▶ **AVISO:** Não danifique o circuito refrigerante.

**Utilização diária**

- ▶ Este aparelho pode ser utilizado por crianças de idade igual ou superior a 8 anos e por pessoas com capacidades físicas, sensoriais ou mentais reduzidas ou falta de experiência e conhecimento, caso lhes tenha sido fornecida supervisão ou instruções relativas à utilização do aparelho de forma segura e desde que compreendam os perigos envolvidos.
- ▶ As crianças não devem brincar com o aparelho.
- ▶ As crianças de 3 a 8 anos são autorizadas a carregar e descarregar aparelhos de refrigeração, mas não podem limpar e instalar os aparelhos de refrigeração.
- ▶ Mantenha as crianças com menos de 3 anos de idade afastadas do aparelho, a menos que estejam constantemente sob supervisão.
- ▶ A limpeza e a manutenção pelo utilizador não devem ser realizadas por crianças sem supervisão.
- ▶ O aparelho deve ser posicionado de modo a que a ficha fique acessível.
- ▶ Se o gás de carvão ou outro gás inflamável verter para a proximidade do aparelho, desligue a válvula do gás de fuga, abra as portas e janelas e não desligue o cabo de alimentação do eletrodoméstico.
- ▶ Aguarde pelo menos 7 minutos para reconectar a energia depois de ter sido desconectada.
- ▶ Não levante o aparelho pelas pegas das portas.
- ▶ As chaves devem ser mantidas fora do alcance das crianças e não nas proximidades do aparelho, para evitar que as crianças fiquem presas no interior do aparelho.



## AVISO!

- ▶ Observe que o aparelho está regulado para funcionar no intervalo de temperatura específico de 10 e 38°C. O aparelho não pode funcionar adequadamente se for deixado durante um longo período a uma temperatura acima ou abaixo do intervalo indicado.
- ▶ Não coloque artigos instáveis (objetos pesados, recipientes cheios de água) em cima do aparelho, para evitar lesões pessoais causadas por queda ou choque elétrico causado pelo contato com a água.
- ▶ Abra e feche a porta apenas pelas pegas. O espaço entre a porta e o armário é muito estreito. Não coloque as mãos nessas áreas para evitar entalar os dedos. Abra ou feche as portas do aparelho apenas quando não houver crianças que se encontrem dentro do alcance do movimento das portas.
- ▶ Não guarde nem use materiais inflamáveis, explosivos ou corrosivos no aparelho ou nas proximidades.
- ▶ Não guarde substâncias explosivas como, por exemplo, latas de aerossóis, com um carburante inflamável, no interior deste aparelho.
- ▶ Não guarde medicamentos, bactérias ou agentes químicos no aparelho. Este aparelho é um eletrodoméstico. Não é recomendado armazenar materiais que necessitem de temperaturas rigorosas.
- ▶ Não ajuste uma temperatura desnecessariamente baixa na garrafeira. Podem ocorrer temperaturas negativas em altas configurações. Atenção: As garrafas podem rebentar
- ▶ Não toque na superfície interna do compartimento do aparelho, quando em funcionamento, especialmente com as mãos molhadas, pois as mãos podem congelar na superfície.
- ▶ Para uma refrigeração adequada do vinho, não sobrecarregue o aparelho.
- ▶ Desligue o aparelho em caso de interrupção da energia ou antes da limpeza. Deixe passar pelo menos 7 minutos antes de reiniciar o aparelho, pois o arranque frequente pode danificar o compressor.
- ▶ **AVISO:** Não utilize dispositivos elétricos no interior do aparelho, a menos que sejam do tipo recomendado pelo fabricante. Para evitar riscos, um cabo de alimentação danificado deve ser substituído pela assistência ao cliente (ver cartão de garantia).
- ▶ Para prolongar a vida útil do aparelho, evite desligá-lo.
- ▶ Nunca coloque o aparelho na horizontal no chão. Depois de inclinar o aparelho mais de 45°, aguarde 24 horas antes de o ligar.

**AVISO!****Manutenção/limpeza**

- ▶ Certifique-se de que as crianças estão vigiadas caso estejam a realizar a limpeza e manutenção.
- ▶ Desligue o aparelho da alimentação elétrica antes de realizar qualquer manutenção de rotina. Deixe passar pelo menos 7 minutos antes de reiniciar o aparelho, pois o arranque frequente pode danificar o compressor.
- ▶ Segure a ficha, não o cabo, ao desligar o aparelho.
- ▶ Não limpe o aparelho com escovas duras, escovas de arame, detergente em pó, gasolina, acetato de amilo, acetona e soluções orgânicas semelhantes, soluções ácidas ou alcalinas. Limpe com detergente especial para frigorífico/congelador para evitar danos. No final use água morna e solução de bicarbonato de sódio - cerca de uma colher de sopa de bicarbonato de sódio para um litro de água. Enxaguar abundantemente com água e secar. Não utilize pós de limpeza ou outros produtos de limpeza abrasivos. Não lave as peças removíveis na máquina de lavar loiça.
- ▶ **AVISO:** Não utilize dispositivos mecânicos ou outros meios para acelerar o processo de descongelação, que não os recomendados pelo fabricante.
- ▶ Se o cabo de alimentação estiver danificado, tem de ser substituído pelo fabricante, pelo agente de serviço ou por pessoas igualmente qualificadas de forma a evitar o perigo.
- ▶ Não tente reparar, desmontar ou modificar o aparelho sozinho. Em caso de reparação, entre em contato com a nossa assistência ao cliente.
- ▶ Se as luzes de iluminação estiverem danificadas, devem ser substituídas pelo fabricante, pelo seu agente de serviço ou por pessoas qualificadas similares, a fim de evitar riscos.
- ▶ Elimine o pó na parte de trás da unidade pelo menos uma vez no ano para evitar perigo de incêndio, bem como o aumento do consumo de energia.

- ▶ Não pulverize ou lave o aparelho durante a limpeza.
- ▶ Não use spray de água ou vapor para limpar o aparelho.
- ▶ Não limpe a porta de vidro fria com água quente. A mudança súbita de temperatura pode fazer com que o vidro se quebre.
- ▶ Se deixar de utilizar o seu aparelho durante um período prolongado, deixe-o aberto para evitar odores e cheiros desagradáveis dentro.

## Informações sobre gases refrigerantes



### AVISO!

O aparelho contém o refrigerante inflamável ISOBUTANO (R600a). Certifique-se de que o circuito refrigerante não fica danificado durante o transporte ou instalação. A fuga de refrigerante pode causar lesões oculares ou inflamações. Se ocorrer um dano, mantenha afastadas fontes de chama aberta, ventile completamente a sala, não ligue ou desligue os cabos de alimentação do eletrodoméstico ou de qualquer outro aparelho. Informe a assistência ao cliente.

No caso de os olhos entrarem em contacto com o fluido refrigerante, lave-os imediatamente sob água corrente e contacte imediatamente um oftalmologista.

**AVISO:** O sistema de refrigeração está sob alta pressão. Não o viole. Uma vez que os refrigerantes inflamáveis são usados, por favor, instale, manuseie e carregue o aparelho estritamente de acordo com as instruções e contacte o agente profissional ou o nosso serviço pós-venda para eliminar o aparelho.

### Utilização prevista


Este aparelho destina-se a ser utilizado em meio doméstico e aplicações similares tais como

- áreas de cozinha para o pessoal em lojas, escritórios e outros ambientes de trabalho;
  - quintas e por clientes em hotéis, motéis e outros ambientes de tipo residencial;
  - ambientes de tipo alojamento e pequeno-almoço;
  - aplicações de catering e idênticas não comerciais.
- Para garantir a preservação segura do vinho, por favor, siga estas instruções de uso.
- Os dados relativos à parte mais adequada no compartimento do eletrodoméstico em que devem ser armazenados tipos específicos de alimentos, tendo em conta a distribuição da temperatura que pode estar presente nos diferentes compartimentos do aparelho, encontram-se na outra parte do manual.

Não são permitidas alterações ou modificações no dispositivo. Uma utilização indevida pode causar riscos e perda de reivindicações de garantia.

## Eliminação



O símbolo  no produto ou na sua embalagem indica que este produto não pode ser tratado como lixo doméstico. Em vez disso, deve ser entregue no ponto de recolha aplicável para reciclagem de equipamentos elétricos e eletrônicos. Ao assegurar que este produto é eliminado devidamente, irá ajudar a evitar consequências potencialmente negativas para o ambiente e a saúde humana, que de outra forma poderiam ser causadas pelo manuseamento inadequado de resíduos deste produto. Para informações mais detalhadas sobre reciclagem deste produto, entre em contato com departamento da sua cidade, o seu serviço de eliminação de resíduos domésticos ou a loja onde comprou o produto.

Uma vez que são utilizados gases de sopro do isolamento inflamáveis, entre em contato com um agente profissional ou nosso serviço pós-venda para eliminar o aparelho.

## AVISO!

### Risco de lesão de sufocação!

Os fluidos refrigerantes e os gases devem ser eliminados de forma profissional. Certifique-se de que os tubos do circuito refrigerante não estão danificados antes de serem devidamente eliminados. Desligue o aparelho da alimentação elétrica. Corte o cabo de alimentação de rede e elimine-o. Remova as bandejas e gavetas, bem como a pega e vedantes da porta, para evitar que crianças e animais de estimação fiquem fechados dentro do aparelho.

- ▶ **AVISO:** Desligue o aparelho da fonte de alimentação antes de limpar.
- ▶ Não limpe o aparelho com escovas duras, escovas de arame, detergente, acetato, acetona e soluções orgânicas semelhantes, soluções ácidas ou alcalinas. Limpe com detergente especial do frigorífico para evitar danos.
- ▶ Limpe o aparelho quando apenas tiver armazenado pouco ou nenhum vinho. Só é necessário limpá-lo quando estiver sujo.
- ▶ Limpe o interior e a caixa do aparelho com uma esponja molhada em água morna e detergente neutro
- ▶ Enxague com água morna limpa e seque com um pano macio.
- ▶ Não limpe nenhuma das peças do aparelho numa máquina de lavar loiça.
- ▶ Deixe passar pelo menos 7 minutos antes de voltar a ligar o aparelho pois o arranque frequente pode danificar o compressor.

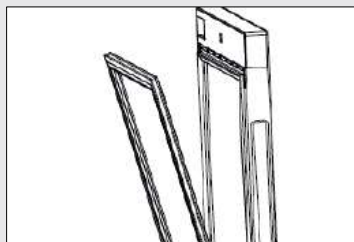


### Limpe a junta de vedação da porta:

- ▶ Os vedantes da porta devem ser limpos a cada 3 meses para garantir uma vedação adequada. Como indicado em baixo:

Remover: Segure a vedação da porta e puxe-a de acordo com a direção da seta para remover toda a vedação da porta em ordem.

Mergulhe a escova com água ou álcool de classe alimentar, limpe o sulco da vedação da porta primeiro puxando a escova para trás e para a frente. Em seguida, limpe a superfície da vedação da porta com uma toalha embebida com água ou álcool de grau alimentar. Finalmente, lave a junta da porta para limpar e limpe-a com uma toalha limpa.



## **Vedação da porta de instalação após a limpeza:**

Antes da instalação, certifique-se de que não há água na vedação da porta. Insira a vedação da porta na ranhura e pressione firmemente a vedação da porta desde a parte superior à parte inferior manualmente até que toda a vedação da porta seja inserida na ranhura.

## **Limpeza das prateleiras:**

- ▶ Todas as prateleiras podem ser retiradas para limpeza.
- ▶ Retire todas as garrafas.
- ▶ Levante cada prateleira um pouco e retire para fora.
- ▶ Limpe a prateleira com uma toalha macia.
- ▶ Aguarde até que as prateleiras estejam secas antes de as voltar a colocar.

## **AVISO:**

Aguarde pelo menos 7 minutos para reconectar a energia depois de ter sido desconectada.

Verifique os acessórios e a literatura de acordo com esta lista: sem isolamento.

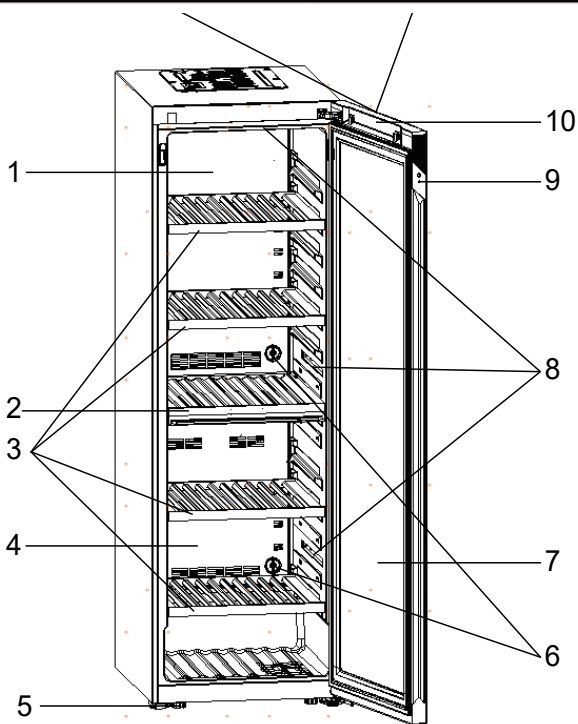
Nome	Manual do utilizador	Cartão de serviço	Prateleira	Tampa articulada	Rótulo energético	Tecla
HWS247GGU1	1	1	5	1	1	2
HWS236GDGU1	1	1	4	1	1	2



## Aviso

Devido a alterações técnicas e a modelos diferentes, algumas das ilustrações neste manual podem ser diferentes do seu modelo.

## Imagem do aparelho



(HWS236GDGU1)

- |                                       |                |
|---------------------------------------|----------------|
| 1. Defletor da conduta de ar superior | 6. Porta       |
| 2. Prateleira                         | 7. Lâmpada LED |
| 3. Defletor da conduta de ar inferior | 8. Fechadura   |
| 4. Pés ajustáveis                     | 9. Visor       |
| 5. Filtro de carvão ativado           |                |

## 1. Desembalar

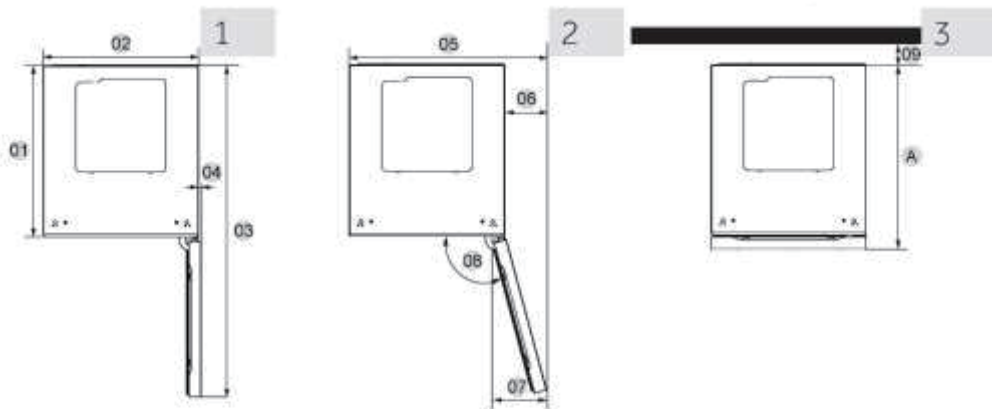
- ▶ Retire o aparelho da embalagem.
- ▶ Remova todos os materiais de embalagem, incluindo a base de espuma e toda fita adesiva com os acessórios.

## 2. Condições ambientes

A temperatura ambiente deve estar sempre entre 10 °C e 38 °C, uma vez que pode influenciar a temperatura no interior do aparelho e o seu consumo de energia. Não instale o aparelho perto de outros aparelhos emissores de calor (fornos, frigoríficos) sem isolamento.

## 3. Requisitos de espaço

Espaço necessário para abrir a porta (Fig. 1, 2, 3, 4); por razões de segurança e energia, deve ser observada a distância de ventilação necessária de 50 mm em todas as direções (Fig. 5).



Measurement: mm	HWS247GGU1	HWS236GDGU1
Profundidade A	714	714
Largura B	597	597
Altura C	1905	1905
Altura Geral D	1900	1900
01	654	654
02	595	595
03	1273	1273
04	11	11
05	756	756
06	161	161
07	200	200
08	105°	105°
09	50	50





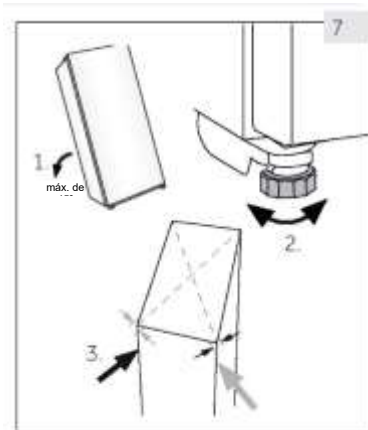
## AVISO!

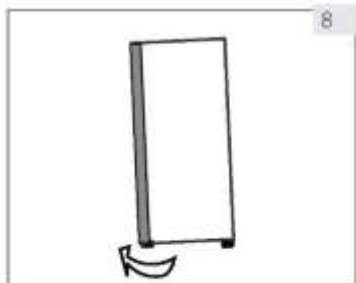
- ▶ Mantenha as aberturas de ventilação no aparelho ou na estrutura embutida livres de obstruções. Este frigorífico não se destina a ser utilizado como um aparelho de encastrar

## 5. Alinhar o aparelho

O aparelho deve ser colocado sobre uma superfície plana e sólida.

1. Incline o aparelho ligeiramente para trás (Fig. 7).
2. Ajuste os pés dianteiros ajustáveis para o nível desejado, rodando-os.
3. A estabilidade pode ser verificada por empurrando alternadamente as diagonais. Uma ligeira oscilação deve ser a mesma em ambas as direções. Caso contrário, a estrutura pode empenar; a consequência pode ser fugas dos vedantes da porta. Uma leve inclinação para a traseira facilita o fecho da porta.



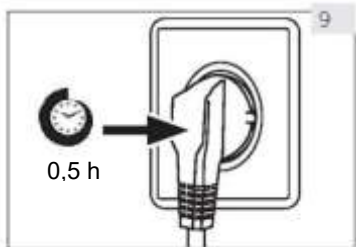


## 6. Ajuste fino da porta

O aparelho fecha mais facilmente se forem utilizados os pés de nivelamento na frente:

Rode os pés ajustáveis (Fig. 8) para os subir ou descer:

- ▶ Rodar os pés no sentido horário levanta o aparelho.
- ▶ Rodar os pés no sentido anti-horário baixa o aparelho.



## 7. Tempo de espera

O óleo de lubrificação sem manutenção está localizado na cápsula do compressor. Este óleo pode passar pelo sistema fechado do tubo durante o transporte se o aparelho estiver inclinado. Antes de ligar o aparelho à fonte de alimentação, aguarde 0,5 horas (Fig. 9) para que o óleo volte à cápsula.

## 8. Ligação elétrica

Antes de cada conexão verificar se:

- ▶ a fonte de alimentação, tomada e fusíveis são adequados à placa de classificação.
- ▶ a tomada de alimentação está ligada à terra sem fichas múltiplas nem extensão.
- ▶ a ficha de alimentação e a tomada estão corretamente ajustadas.

Ligue a ficha a uma tomada doméstica instalada corretamente.



### AVISO!

Para evitar riscos, um cabo de alimentação danificado deve ser substituído pela assistência ao cliente (ver cartão de garantia).

## 9. Reversibilidade da porta

Antes de ligar o aparelho à fonte de alimentação, deve verificar se a rotação da porta deve ser mudada da direita (como fornecida) para a esquerda, se tal for exigido pelo local de instalação e pela usabilidade



### AVISO!

- ▶ O aparelho é pesado. Precisa de duas pessoas para reverter o sentido de abertura da porta.
- ▶ Antes de qualquer operação, desligue primeiro o aparelho da rede elétrica.
- ▶ Não incline o aparelho mais de 45 ° para evitar danos ao sistema de arrefecimento.

## Etapas de montagem

1. Arranje a ferramenta necessária.
2. Desligue o aparelho.
3. Retire a tampa da trave superior e a tampa pequena, instalação de transposição esquerda e direita da tampa pequena.
4. Retire a tampa da prateleira do cabo e a tampa do friso, instalação de transposição esquerda e direita da tampa decorativa. Remova o tampão de borracha preta do buraco da fechadura esquerdo no interior do corpo da porta e instale-o no buraco da fechadura direita
5. 5. Retire a tampa da dobradiça. Utilize a ferramenta para remover 3 parafusos e remover o corpo do portal.
6. Retire os 3 parafusos sob o corpo do portal com a ferramenta, o came do corpo do portal e o batente da porta, a transposição esquerda e direita é instalada no outro lado do corpo do portal.
7. Retire o conjunto de dobradiças da caixa com a ferramenta; retire primeiro o came da dobradiça no conjunto inferior da dobradiça, substitua o eixo da dobradiça para o orifício do parafuso direito, conjunto. Instalação de transposição com o conjunto de suporte do rodízio no lado direito da caixa.
8. O corpo do portal é instalado verticalmente para baixo no eixo da dobradiça.
9. A dobradiça superior é inserida no orifício do eixo do corpo do portal, fixe a caixa com parafusos, instale a tampa da caixa de fios e a tampa do friso da trave superior.



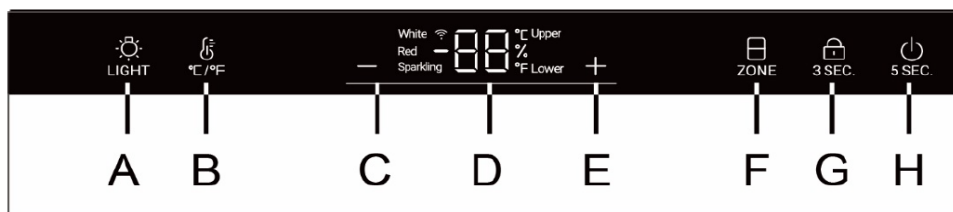
## 1. Antes da primeira utilização

- ▶ Remova todos os materiais de embalagem. Isso inclui a base de espuma e toda fita adesiva que segura os acessórios da adega de vinho dentro e fora. Mantenha-os fora do alcance das crianças e elimine-os de forma ecológica.
- ▶ Limpe o interior e o exterior do aparelho com água e um detergente suave antes de colocar qualquer vinho no seu interior.
- ▶ Após o aparelho ter sido nivelado e limpo, aguarde pelo menos 2 horas antes de o ligar à fonte de alimentação. Se a sua adega tiver sido inclinada por qualquer motivo, aguarde 24 horas antes de a ligar. Ver secção INSTALAÇÃO.
- ▶ Após ligar a unidade a uma tomada elétrica, deixe a unidade funcionar durante pelo menos 30 minutos para aclimatizar-se antes de efetuar quaisquer ajustes.
- ▶ A temperatura é ajustada automaticamente para 12 °C. Se desejar, pode alterar a temperatura manualmente. Por favor, consulte TEMPERATURA.

## 2. Teclas de toque

Os botões no painel de controlo são teclas de toque, que respondem quando tocadas levemente com o dedo.

## 3. Descrição do painel de controlo



- |   |                                            |   |                                           |
|---|--------------------------------------------|---|-------------------------------------------|
| A | Botão da luz interior                      | E | Botão de ajuste de temperatura: para cima |
| B | Botão de conversão °C /°F                  | F | Seleção da zona de temperatura            |
| C | Botão de ajuste de temperatura: para baixo | G | Botão de bloqueio                         |
| D | Visor                                      | H | Botão para ligar/desligar                 |

## 4. Função de bloqueio automático

No estado do ecrã de bloqueio, pressione de forma prolongada a tecla de bloqueio para 3S, o ecrã do visor exibe 3, 2 e 1, o ecrã do visor é desbloqueado e o ícone de bloqueio está meio aceso.

Se não houver operação, o ecrã será bloqueado automaticamente após 30 segundos; no estado do ecrã de bloqueio, todos os ícones das teclas de bloqueio estão ativados e as teclas no ecrã de exibição não podem ser operadas (exceto a tecla de iluminação);

## 5. Função do botão de alimentação

Quando o ecrã estiver desligado, toque em qualquer tecla e o ecrã acende; ao premir de forma prolongada a tecla de alimentação, o ecrã de visualização exibe 5, 4, 3, 2 e 1, e a energia de toda a máquina é desligada. Quando a energia estiver desligada, prima de forma prolongada a tecla de alimentação para exibir 5, 4, 3, 2, 1. A energia é ligada.

## 6. Regulação da temperatura



### Aviso

#### Predefinições

- ▶ Depois de ter conectado a unidade a uma tomada elétrica, deixe a unidade funcionar durante pelo menos 30 minutos para aclimatizar-se antes de fazer quaisquer ajustes.
- ▶ Quando o aparelho é ligado após a desconexão da fonte de alimentação principal, pode levar várias horas para que as temperaturas corretas sejam alcançadas. O tempo exato varia dependendo do ambiente e da temperatura.



Prima o botão ou , o visor começa a piscar. Prima o botão ou para definir a temperatura desejada. Intervalo de ajuste da temperatura: 5-20 °C (41-68 °F).

Pare de premir a tecla durante 3 segundos, a temperatura é confirmada.

## 7. Modo ou função de zona

Prema o botão : a temperatura muda de cintilante (8 °C ou 47 °F) para branco (12 °C ou 54 °F) e vermelho (16 °C ou 61 °F). HWS247GGU1

No estado de desbloqueio, o ícone está totalmente ligado. Se o visor atual estiver na zona de temperatura superior, o ícone superior está ligado e o ícone inferior está desligado. Neste momento, prima a tecla , o ícone inferior acende-se e o ícone superior apaga-se. HWS236GDBGU1

## Ajustes de temperatura recomendados

As seguintes temperaturas de bebida são recomendadas para os diferentes tipos de vinho.

Vinho tinto	+13 °C a +20 °C (+55 °F a +68 °C)	Vinho espumante Prosecco	+5 °C a +8 °C (+41 °F a 47 °F)
Vinho branco	+9 °C a +12 °C (+48 °F a +54 °F)		

Se armazenar vinho durante longos períodos de tempo, este deve ser armazenado a uma temperatura entre +10 °C e +12 °C (50 °F e +54 °F).

## 8. Modo Standby

O ecrã é automaticamente obscurecido em 30 segundos.

Acende automaticamente quando qualquer tecla é tocada ou a porta é aberta.



## Aviso

### Influencias nas temperaturas

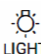
A temperatura no interior do aparelho é influenciada pelos seguintes fatores:

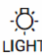
- ▶ Temperatura ambiente
- ▶ Quantidade de garrafas armazenadas
- ▶ Frequência de abertura da porta
- ▶ A localização do aparelho

A configuração padrão é de 12°C

Quando o visor para de piscar, volta a mostrar a temperatura atual dentro da adega. Vai demorar algum tempo para alcançar a temperatura definida.

## 9. Ajuste do modo de iluminação

Prima o botão  . Quando as luzes no armário estão ligadas, as luzes acendem-se

gradualmente. Quando pressionar o botão  mais uma vez as luzes serão desligadas gradualmente.

## 10. Função °C/°F

Prima o botão  para alternar entre Fahrenheit e Celsius.

## 11. Desligar a função de memória

Em caso de falha de energia, a adega irá guardar automaticamente a temperatura ajustada. Após a recuperação de energia, será posto a funcionar com base na temperatura definida antes da falha de energia.

## 12. Função de compensação a baixa temperatura

A adega tem uma função de compensação de baixa temperatura para garantir a estabilidade da temperatura: Quando a temperatura ambiente é inferior à temperatura definida, a adega inicia automaticamente a função de compensação de baixa temperatura, aquecendo o aparelho. Quando a temperatura no aparelho atinge a temperatura definida, a função de compensação de baixa temperatura é desligada automaticamente.

## 13. Alarme de abertura da porta

Se a porta for mantida aberta durante mais de 1 min, ouve-se um sinal sonoro que indica que a porta está fechada ou qualquer tecla no painel de visualização pode ser operada e, em seguida, o sinal sonoro deixa de se ouvir.



## Dicas de poupança de energia

- ▶ Certifique-se de que o aparelho está devidamente ventilado (ver INSTALAÇÃO).
- ▶ Não instale o aparelho sob luz solar direta ou na proximidade de fontes de calor (por exemplo, fogões, aquecedores).
- ▶ Evite temperaturas desnecessariamente baixas no aparelho. O consumo de energia aumenta quanto menor for a temperatura do aparelho.
- ▶ Abra a porta do aparelho o mínimo e tão brevemente quanto possível.
- ▶ Não exceda a quantidade de garrafas prevista para evitar obstruir o fluxo de ar.
- ▶ Mantenha os vedantes da porta limpos para que a porta feche sempre corretamente.
- ▶ A configuração mais economizadora de energia implica que a gaveta, caixa de alimentos e prateleiras estejam posicionadas no aparelho tal como vêm de fábrica, e que os alimentos sejam colocados sem bloquear a saída de ar das condutas.

## 14. Configuração do modo Wi-Fi

### PARÂMETROS DE CONECTIVIDADE SEM FIO

Tecnologia	Wi-Fi	Bluetooth
Standard	IEE 802.11 b/g/n	Bluetooth v4.2, BR/EDR, BLE
Banda(s) de frequência [MHz]	2401÷2483	2402÷2480
Potência máxima [mW] Banda(s) [MHz]	100	10

### INFORMAÇÃO DO PRODUTO

#### Como ativar o módulo Wi-Fi:

- Pressione o botão de luz por 3 segundos para ativar o Wi-Fi
- O módulo Wi-Fi está ligado o ícone Wi-Fi começa a piscar
  - Se a adega estiver cadastrada, mas o Wi-Fi estiver desligado, o ícone piscará
  - Se a adega estiver cadastrada e conectada o ícone do Wi-Fi está sempre aceso
- Para reiniciar o Wi-Fi pressione a luz por 3 segundos

### NO PROCEDIMENTO DE EMPARELHAMENTO DO APLICATIVO

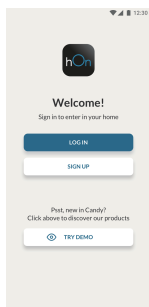
#### Step 1

- Baixe o aplicativo hOn nas lojas



#### Step 2

Faça o login ou cadastre-se



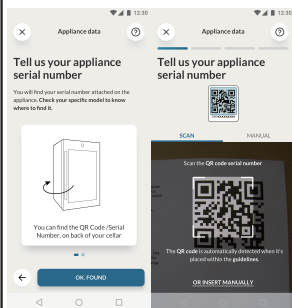
#### Step 3

- Adicione um novo aparelho selecionando a adega do lista



## Step 4

. Digitalize o QR ou insira manualmente o número de série



## Step 5

. Pressione o botão de luz no produto por 3s para ativar o Wi-Fi

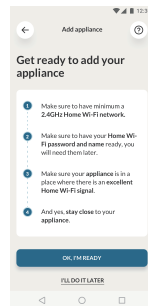


## Step 6

. O ícone wi-fi piscará, o processo de emparelhamento está em andamento  
 . Você terá 5 minutos para concluir o processo de emparelhamento  
 . Quando o processo estiver concluído, o ícone do Wi-Fi parará de piscar e

permanecerá sempre ligado

## NOTA

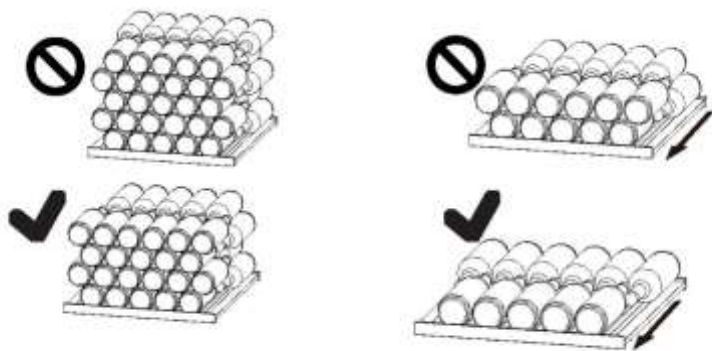


## 1. Prateleira

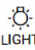
1. As prateleiras são projetadas para um armazenamento e remoção fáceis do vinho. Podem ser limpas com uma toalha macia.
2. Garrafas normais com diâmetro de 76 mm podem ser empilhadas.
3. Garrafas maiores podem ser empilhadas na prateleira inferior.
4. A quantidade variar do número ou garrafas ilustradas se forem empilhadas de forma diferente.

### Conselhos sobre a disposição da sua adega

Recomendamos que o número de garrafas de vinho não exceda quatro camadas em cada prateleira e que a capacidade de carga das prateleiras de vinho não exceda 60 garrafas dentro da garrafeira. Confirme se as prateleiras de vinho estão completamente estáveis. Para além disso, confirme se alguma garrafa sobressai das prateleiras, para evitar que as garrafas batam na porta de vidro ao fechar.



## 2. A luz

A luz interior LED acende-se quando a porta é aberta. Para acender a luz enquanto a porta está fechada, toque no botão  LIGHT. Para apagar as luzes, toque no botão novamente. Para aumentar a eficiência energética, as luzes devem ser desligadas quando a garrafeira não estiver a ser visualizada.

## 3. A fechadura

Para trancar a garrafeira, feche a porta e coloque a chave na fechadura:

- ▶ Tranque a porta rodando a chave no sentido dos ponteiros do relógio;
- ▶ Destranque a porta rodando a chave no sentido contrário ao dos ponteiros do relógio

## 1. Descongelamento

O descongelamento da garrafeira é feito automaticamente; nenhuma operação manual é necessária.

## 2. Substituir a lâmpada LED

A lâmpada usa LED como sua fonte de luz, com baixo consumo de energia e longa vida útil.

Se houver alguma anomalia, entre em contato com a assistência ao cliente. Consulte ASSISTÊNCIA AO CLIENTE.



### AVISO!

Não substitua a lâmpada LED você mesmo. Só pode ser substituída pelo fabricante ou pelo agente de serviço autorizado.

## Parâmetros da lâmpada LED:

Tensão de 12 V

Potência máxima: 18 W

## 3. Não utilizar durante um período maior

Desligue o cabo de alimentação.

Limpe o aparelho e as juntas da porta conforme descrito acima.

Mantenha a porta aberta para evitar a criação de maus odores no interior.

## 4. Mover o aparelho

1. Remova todas as garrafas e desligue o aparelho.

2. Fixe prateleiras e outras peças móveis na garrafeira com fita adesiva.

3. Não incline a garrafeira mais de 45° para evitar danificar o sistema de refrigeração.

## 5. Troca de ar com filtro de carvão ativado

A forma como os vinhos continuam a amadurecer depende das condições ambientais. A qualidade do ar é, portanto, decisiva para a preservação do vinho. Um filtro de carvão ativado foi instalado na área inferior da parede traseira do aparelho para eliminar resíduos de forma ótima.



### Aviso

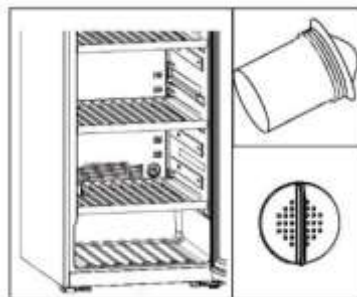
Recomendamos que substitua o filtro uma vez por ano. Pode obter os filtros do seu revendedor.

## Substituir o filtro:

Retire o filtro pela pega. Vire-o para a esquerda e remova.

## Inserir o filtro:

Insira com a pega em posição vertical. Vire-o para a direita e insira.



Muitos problemas que ocorrem podem ser resolvidos por si mesmo sem experiência específica. Em caso de problema, por favor verifique todas as possibilidades apresentadas e siga as instruções abaixo antes de contactar um serviço pós-venda. Consulte ASSISTÊNCIA AO CLIENTE.



### AVISO!

- ▶ Antes da manutenção, desative o aparelho e desligue a ficha da tomada.
- ▶ Os equipamentos elétricos devem ser reparados apenas por eletricistas qualificados, uma vez que reparações inadequadas podem causar danos consequenciais consideráveis.
- ▶ Se o cabo de alimentação estiver danificado, este apenas pode ser substituído pelo fabricante, pelo agente de serviço ou por pessoas igualmente qualificadas de forma a evitar o perigo.

Código de erro	Causa	Solução
L2	Alarme de temperatura baixa quando a temperatura do sensor de controlo é demasiado baixa;	<ol style="list-style-type: none"> <li>1. Verifique a temperatura ambiente.</li> <li>2. Verifique a ficha do compressor.</li> <li>3. Verifique a resistência do sensor de controlo da temperatura.</li> </ol>
H1	Quando a temperatura do sensor de controlo for demasiado elevada, o alarme de temperatura elevada será exibido no ecrã do visor;	<ol style="list-style-type: none"> <li>1. Verifique a ficha da placa de controlo ou do painel do visor.</li> <li>2. Verifique a resistência e a tensão da ventoinha.</li> <li>3. Verifique a ventoinha e a ficha do compressor.</li> </ol>

Problema	Causa possível	Possível solução
O compressor não funciona.	<ul style="list-style-type: none"> <li>A ficha de alimentação não está ligada na tomada de alimentação.</li> </ul>	<ul style="list-style-type: none"> <li>Ligue a ficha de corrente.</li> </ul>
O aparelho funciona frequentemente ou funciona por um período de tempo demasiado longo.	<ul style="list-style-type: none"> <li>A temperatura exterior é muito alta.</li> <li>O aparelho foi desligado da alimentação por um período de tempo.</li> <li>Uma porta do aparelho não está bem fechada.</li> <li>A porta foi aberta com muita frequência ou por muito tempo.</li> <li>As juntas da porta estão sujas, desgastadas, rachadas ou não correspondem.</li> <li>A circulação de ar necessária não é garantida.</li> <li>A temperatura é demasiado baixa.</li> </ul>	<ul style="list-style-type: none"> <li>Neste caso, é normal que o aparelho funcione mais tempo.</li> <li>Normalmente, demora algum tempo para o aparelho arrefecer completamente.</li> <li>Feche a porta e certifique-se de que o aparelho está localizado num piso e de que não há comida ou recipiente a obstruir a porta.</li> <li>Não abra a porta com demasiada frequência.</li> <li>Limpe a vedação da porta ou peça à assistência ao cliente que a substitua.</li> <li>Assegure uma ventilação adequada.</li> <li>O problema resolve-se quando a temperatura desejada tiver sido atingida.</li> </ul>
O interior da garrafeira está sujo e/ou com cheiros.	<ul style="list-style-type: none"> <li>O interior da garrafeira necessita de limpeza.</li> </ul>	<ul style="list-style-type: none"> <li>Limpe o interior da garrafeira.</li> </ul>
Não está frio o suficiente dentro do aparelho.	<ul style="list-style-type: none"> <li>A temperatura está definida para demasiado alta.</li> <li>As garrafas foram adicionadas recentemente.</li> <li>Uma porta do aparelho não está bem fechada.</li> <li>A porta foi aberta com muita frequência ou por muito tempo.</li> <li>As juntas da porta estão sujas, desgastadas, rachadas ou não correspondem.</li> </ul>	<ul style="list-style-type: none"> <li>Repor a temperatura.</li> <li>Deixe tempo para garrafas adicionadas recentemente atingirem a temperatura desejada.</li> <li>Feche a porta.</li> <li>Não abra a porta com demasiada frequência.</li> <li>Limpe a vedação da porta ou peça à assistência ao cliente que a substitua.</li> </ul>
Está demasiado frio no interior do aparelho.	<ul style="list-style-type: none"> <li>A temperatura é demasiado baixa.</li> </ul>	<ul style="list-style-type: none"> <li>Repor a temperatura.</li> </ul>
Formação de humidade no interior do compartimento do frigorífico.	<ul style="list-style-type: none"> <li>O clima é demasiado quente e demasiado húmido.</li> <li>Uma porta do aparelho não está bem fechada.</li> <li>A porta foi aberta com muita frequência ou por muito tempo.</li> </ul>	<ul style="list-style-type: none"> <li>Aumente a temperatura.</li> <li>Feche a porta.</li> <li>Não abra a porta/gaveta com muita frequência.</li> </ul>

Problema	Causa possível	Possível solução
A humidade acumula-se na superfície externa da garrafeira.	<ul style="list-style-type: none"> <li>O clima é demasiado quente e demasiado húmido</li> <li>A porta não está totalmente fechada. O ar frio no aparelho e o ar quente no exterior condensam.</li> </ul>	<ul style="list-style-type: none"> <li>Isso é normal num clima húmido e mudará quando a humidade diminuir.</li> <li>Certifique-se de que a porta está bem fechada e que os vedantes selam corretamente.</li> </ul>
O aparelho faz sons anormais	<ul style="list-style-type: none"> <li>O aparelho não está colocado sobre um piso nivelado.</li> <li>O aparelho toca em algum objeto ao seu redor.</li> </ul>	<ul style="list-style-type: none"> <li>Ajuste os pés para nivelar o aparelho.</li> <li>Remova objetos em redor do aparelho.</li> </ul>
Deve ouvir-se um som leve semelhante ao de água a correr.	<ul style="list-style-type: none"> <li>Isto é normal</li> </ul>	<ul style="list-style-type: none"> <li>-</li> </ul>
O sistema de iluminação interior ou de arrefecimento não funciona.	<ul style="list-style-type: none"> <li>A ficha de alimentação não está ligada à tomada de alimentação.</li> <li>A fonte de alimentação não está intacta.</li> <li>A lâmpada LED está avariada.</li> </ul>	<ul style="list-style-type: none"> <li>Ligue a ficha de corrente.</li> <li>Verifique a alimentação elétrica da divisão. Ligue para a companhia de eletricidade local.</li> <li>Por favor, ligue para a assistência para substituir</li> </ul>
Os lados do refrigerador e a tira da porta ficam quentes	<ul style="list-style-type: none"> <li>Isto é normal.</li> </ul>	<ul style="list-style-type: none"> <li>-</li> </ul>
A porta não fecha corretamente	<ul style="list-style-type: none"> <li>O aparelho não está nivelado.</li> <li>A porta está bloqueada.</li> </ul>	<ul style="list-style-type: none"> <li>Nivele o aparelho com os pés de nivelamento.</li> <li>Verifique se há obstruções como garrafas ou prateleiras.</li> </ul>

Para contactar a assistência técnica, consulte o nosso website:

<https://corporate.haier-europe.com/en/>

Na seção "website", escolha a marca do seu produto e o seu país. Será redirecionado para o website específico onde pode encontrar o número de telefone e o formulário para contatar a assistência técnica.

Ficha de produto de acordo com o Regulamento UE N.º 2019/2016

Marca	Haier	Haier
Nome do modelo / identificador	HWS247GGU1	HWS236GDGU1
Categoria	Wine Cellar	Wine Cellar
Classe de eficiência energética	G	G
Consumo anual de energia (kWh/ano) <sup>1)</sup>	184	184
Volume de armazenagem (L)	450	448
Classe climática: Este aparelho destina-se a ser utilizado a uma temperatura ambiente entre 10 °C e 38 °C.	SN N ST	SN N ST
Emissões de ruído aéreo (db(A) re 1pW)	C(37)	C(37)
Tipo de aparelho	Freestanding	Freestanding
Este aparelho destina-se exclusivamente ao armazenamento de vinho.	Yes	Yes
Dimensões (W/D/H em mm)	597/714/1900	597/714/1900

Explicações:

1) com base nos resultados do teste padrão durante 24 horas. O consumo real de energia depende do ambiente real, da quantidade de garrafas, da temperatura ajustada, da abertura e fecho da porta, etc.

2) O consumo nominal de energia é o valor obtido de acordo com o ensaio normal quando o armário de vinhos não acende a luz interna.

- temperatura prolongada: "este aparelho de refrigeração destina-se a ser utilizado a uma temperatura ambiente entre 10 °C e 32 °C";
- temperado: "este aparelho de refrigeração destina-se a ser utilizado a uma temperatura ambiente entre 16 °C e 32 °C";
- subtropical: "este aparelho de refrigeração destina-se a ser utilizado a uma temperatura ambiente entre 16 °C e 38 °C";
- tropical: "este aparelho de refrigeração destina-se a ser utilizado a uma temperatura ambiente entre 16 °C e 43 °C";

## Normas e diretivas

Este produto cumpre os requisitos de todas as diretivas CE aplicáveis com as normas harmonizadas correspondentes, que permitem a marcação CE.

Recomendamos o nosso Serviço de Assistência ao Cliente da Haier e a utilização de peças de reposição originais.

Se tiver algum problema com o seu aparelho, verifique primeiro a secção RESOLUÇÃO DE PROBLEMAS. Se não conseguir encontrar uma solução nesta secção, entre em contato

- ▶ com o seu revendedor local ou
- ▶ a área de Serviço e Suporte em [www.haier.com](http://www.haier.com) onde pode encontrar números de telefone e perguntas frequentes e onde pode ativar um pedido de assistência.

Para contactar a nossa Assistência, certifique-se de que tem os seguintes dados disponíveis.

As informações podem ser encontradas na placa de classificação.

Modelo \_\_\_\_\_ N.º de série \_\_\_\_\_

Verifique também o cartão de garantia fornecido com o produto em caso de garantia.

Para consultas gerais, por favor encontre os nossos endereços na Europa abaixo:

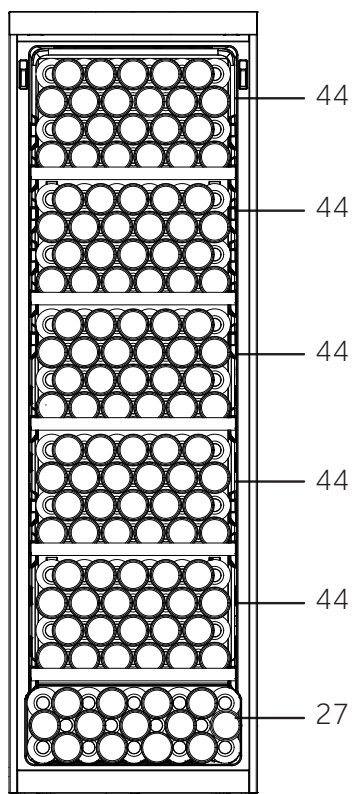
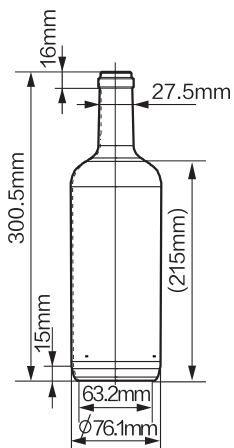
#### Endereços da Haier na Europa

País*	Endereço postal	País	Endereço postal
<b>Itália</b>	Haier Europe Trading SRL Via De Cristoforis, 12 21100 Varese ITÁLIA	<b>França</b>	Haier Europe Trading SRL Via De Cristoforis, 12 21100 Varese ITÁLIA
<b>Espanha Portugal</b>	Haier Iberia SL Pg. Garcia Faria, 49-51 08019 Barcelona ESPANHA	<b>Bélgica-FR Bélgica-NL Países Baixos Luxemburgo</b>	Haier Benelux SA Anderlecht Route de Lennik 451 BÉLGICA
<b>Alemanha Áustria</b>	Haier Deutschland GmbH Hewlett-Packard-Str. 4 D-61352 Bad Homburg ALEMANHA	<b>Polónia República Checa Hungria</b>	Haier Poland Sp. zo.o. Al. Jerozolimskie 181B 02-222 Warszawa POLÓNIA
<b>Reino Unido</b>	Haier Appliances UK Co. Ltd. One Crown Square Church Street East Woking, Surrey, GU21 6HR REINO UNIDO	<b>Grécia Roménia Rússia</b>	

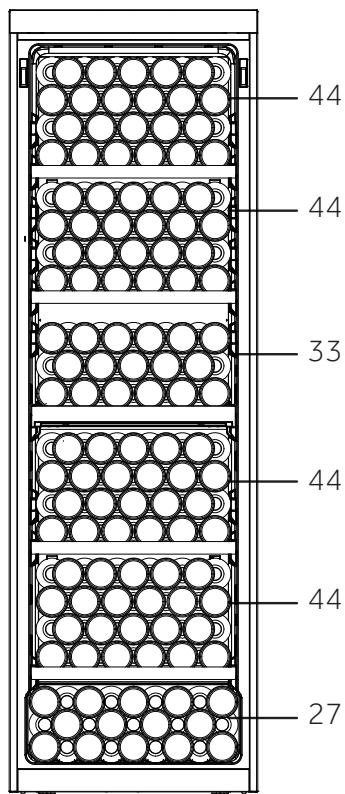
**DISPONIBILIDADE DE PEÇAS SOBRESSELENTES:** Termostatos, sensores de temperatura, placas de circuitos impressos e fontes de luz estão disponíveis durante um período mínimo de sete anos após a colocação da última unidade do modelo no mercado. Puxadores da porta, dobradiças da porta, bandejas e cestos durante um período mínimo de sete anos e juntas da porta durante um período mínimo de 10 anos, depois de colocada a última unidade do modelo no mercado

**A garantia mínima é:** 2 anos para os países da UE, 3 anos para a Turquia, 1 ano para o Reino Unido, 1 ano para a Rússia, 3 anos para a Suécia, 2 anos para a Sérvia, 5 anos para a Noruega, 1 ano para Marrocos, 6 meses para a Argélia, Tunísia nenhuma garantia legal necessária.

Para mais informações sobre o produto, consulte <https://eprel.ec.europa.eu/> ou digitalize o código QR na etiqueta energética fornecida com o aparelho.



**HWS247GGU1**



**HWS236GDGU1**







Haier

# Gebruikershandleiding

Wijnkast

HWS247GGU1  
HWS236GDGU1

NL

**Haier**

## Bedankt voor de aankoop van dit Haier-product.

Lees deze instructies zorgvuldig door voordat u dit apparaat gebruikt. De instructies bevatten belangrijke informatie die u helpt het beste uit het apparaat te halen en veilige en correcte installatie, gebruik en onderhoud te waarborgen.

Bewaar deze handleiding op een handige plaats zodat u hem altijd kunt raadplegen voor een veilig en correct gebruik van het apparaat.

Als u het apparaat verkoopt, weggeeft of achterlaat wanneer u verhuist, zorg er dan voor dat u deze handleiding ook overdraagt, zodat de nieuwe eigenaar het apparaat en de veiligheidswaarschuwingen kan leren kennen.



### Legenda

#### Waarschuwing – Belangrijke veiligheidsinformatie



Algemene informatie en tips



Milieu-informatie



### Verwijdering

Help het milieu en de menselijke gezondheid te beschermen. Doe de verpakking in de daarvoor bestemde containers om deze te recyclen. Help het afval van elektrische en elektronische apparaten te recyclen. Gooi apparaten met dit symbool niet weg bij het huisvuil. Lever het product in bij uw plaatselijke recyclingfaciliteit of neem contact op met uw gemeentekantoor.



## WAARSCHUWING!

### Gevaar voor letsel of verstikking!

Koelmiddelen en gassen moeten professioneel worden verwijderd. Controleer of de leidingen van het koelmiddelcircuit niet zijn beschadigd voordat ze op de juiste manier worden afgevoerd. Haal de stekker van het apparaat uit het stopcontact. Knip het netsnoer af en gooi het weg. Verwijder de bakken en laden en de deurvergrendeling en -afdichtingen, om te voorkomen dat kinderen en huisdieren in het apparaat worden opgesloten.

Oude apparaten hebben nog enige restwaarde. Een milieuvriendelijke verwijderingsmethode zorgt ervoor dat waardevolle grondstoffen kunnen worden teruggewonnen en opnieuw kunnen worden gebruikt.

Cyclopentaan, een brandbare stof die niet schadelijk is voor de ozonlaag, wordt gebruikt als expansiemiddel voor het isolatieschuim

Door dit product op de juiste manier af te voeren, helpt u mogelijke negatieve gevolgen voor het milieu en de menselijke gezondheid te voorkomen, die anders zouden kunnen worden veroorzaakt.

Voor meer gedetailleerde informatie over het recyclen van dit product kunt u contact opnemen met uw gemeente, uw huisvuilverwijderingsdienst of de winkel waar u het product hebt gekocht, om het door professionals te laten afvoeren.

1- Veiligheidsinformatie.....	4
2- Veiligheidstips.....	7
3- Onderhoud.....	11
4- Accessoires.....	13
5- Productbeschrijving.....	14
6- Installatie.....	15
7- Gebruik.....	19
8- Engergiebesparingenstips.....	24
9- Apparatuur.....	25
10- Onderhoud en reiniging.....	26
11- Problemen oplossen.....	27
12- Technische gegevens.....	30
13- Klantenservice.....	31
14- Wijnflessen stapelen.....	32

Dit apparaat is uitsluitend bedoeld voor het bewaren van wijn. Lees voordat u het apparaat voor het eerst inschakelt de volgende veiligheidstips:



## WAARSCHUWING!

### Vóór het eerste gebruik

- ▶ Controleer of er geen transportschade is.
- ▶ Verwijder alle verpakkingen, houd ze buiten bereik van kinderen en gooi ze op een milieuvriendelijke manier weg.
- ▶ Wacht ten minste een half uur voordat u het apparaat installeert, om er zeker van te zijn dat het koelmiddelcircuit volledig werkt.
- ▶ Verplaats het apparaat altijd met ten minste twee personen, het is namelijk zwaar.

### Installatie

- ▶ Het apparaat moet op een goed geventileerde plaats worden geplaatst. Zorg voor een ruimte van ten minste 50mm boven en rond het apparaat.
- ▶ **WAARSCHUWING:** Zorg ervoor dat de ventilatieopeningen in de behuizing van het apparaat of in de ingebouwde constructie open blijven.
- ▶ Plaats het apparaat nooit in een vochtige ruimte of op een plaats waar het met water kan worden bespat. Reinig en droog waterspatten en vlekken met een zachte, schone doek
- ▶ Installeer uw wijnkast niet op een plaats die niet goed geïsoleerd of verwarmd is, zoals bijvoorbeeld in een garage. Uw wijnkast is niet ontworpen om te werken bij een omgevingstemperatuur lager dan 10°C.
- ▶ Installeer het apparaat niet in direct zonlicht of in de buurt van warmtebronnen (bijv. kachels, verwarmingstoestellen).
- ▶ Installeer het apparaat waterpas op een plaats die geschikt is voor de grootte en het gebruik ervan.
- ▶ Controleer of de elektrische informatie op het typeplaatje overeenkomt met de stroomvoorziening. Als dat niet het geval is, neem dan contact op met een elektricien.
- ▶ Het apparaat wordt gebruikt met een voeding van 220-240 VAC/50 Hz. Abnormale spanningsschommelingen kunnen ertoe leiden dat het apparaat niet start of dat de temperatuurregeling of de compressor beschadigd raakt of dat er tijdens het gebruik een abnormaal geluid optreedt. In dat geval moet er een automatische regelaar worden gemonteerd.
- ▶ Gebruik geen stekkerdozen en verlengkabels.

**WAARSCHUWING!**

- ▶ **WAARSCHUWING:** Plaats niet meerdere draagbare stopcontacten of draagbare voedingen op de achterkant van het apparaat.
- ▶ **WAARSCHUWING:** Zorg er bij het neerzetten van het apparaat voor dat het netsnoer niet bekneld of beschadigd raakt.
- ▶ Ga niet op de stroomkabel staan.
- ▶ Gebruik een apart geaard stopcontact voor de stroomvoorziening, dat gemakkelijk toegankelijk is. Het apparaat moet geaard zijn.
- ▶ **Alleen voor Groot-Brittannië:** Het netsnoer van het apparaat is voorzien van een 3-aderige (geaarde) stekker die past op een standaard 3-aderig (geaard) stopcontact. De derde pin (aarding) mag nooit worden afgesneden of gedemonteerd. Nadat het apparaat is geïnstalleerd, moet de stekker bereikbaar zijn.
- ▶ **WAARSCHUWING:** Beschadig het koelcircuit niet.

**Dagelijks gebruik**

- ▶ Dit apparaat mag worden gebruikt door kinderen vanaf 8 jaar en door personen met verminderde lichamelijke, zintuiglijke of geestelijke vermogens of met een gebrek aan kennis en ervaring, mits zij onder toezicht worden gehouden of instructies hebben gekregen om het apparaat veilig te kunnen gebruiken en de gevaren begrijpen die ermee gepaard gaan.
- ▶ Kinderen mogen niet met het apparaat spelen.
- ▶ Kinderen van 3 tot 8 jaar mogen wel koelapparatuur inladen en uitladen, maar niet reinigen en installeren.
- ▶ Houd kinderen onder de 3 jaar uit de buurt van het apparaat, tenzij ze voortdurend onder toezicht staan.
- ▶ Reiniging en onderhoud mogen niet zonder toezicht worden uitgevoerd door kinderen.
- ▶ Het apparaat moet zo worden geplaatst dat de stekker bereikbaar is.
- ▶ Als er koolgas of ander brandbaar gas in de buurt van het apparaat lekt, moet u het ventiel van het lekkende gas sluiten, de deuren en ramen openen en mag u de stekker niet uit het stopcontact halen.
- ▶ Wacht minstens 7 minuten met het opnieuw aansluiten van de stroom nadat de stekker uit het stopcontact is gehaald.
- ▶ Til het apparaat niet op aan de deurgrepen.
- ▶ De sleutels moeten buiten het bereik van kinderen worden gehouden en mogen niet in de buurt van het apparaat worden bewaard, om te voorkomen dat kinderen in het apparaat worden opgesloten.



## WAARSCHUWING!

- ▶ Merk op dat het apparaat is ingesteld voor gebruik in het specifieke omgevingsbereik tussen 10 en 38°C. Het apparaat kan mogelijk niet goed functioneren als het gedurende lange tijd op een temperatuur boven of onder het aangegeven bereik wordt gehouden.
- ▶ Plaats geen onstabiele voorwerpen (zware voorwerpen, containers gevuld met water) op het apparaat, om persoonlijk letsel door vallen of elektrische schokken door contact met water te voorkomen.
- ▶ Open en sluit de deur alleen met de handgrepen. De ruimte tussen de deur en de kast is zeer smal. Steek uw handen niet in deze ruimtes, om te voorkomen dat uw vingers bekneld raken. Open of sluit de deuren van het apparaat alleen als er geen kinderen zijn die zich binnen het bewegingsbereik van de deur bevinden.
- ▶ Bewaar of gebruik in het apparaat of in de omgeving geen brandbare, explosieve of corrosieve materialen.
- ▶ Sla geen explosieve stoffen, zoals spuitbussen met een brandbaar drijfgas, op in dit apparaat.
- ▶ Bewaar geen geneesmiddelen, bacteriën of chemische middelen in het apparaat. Dit is een huishoudelijk apparaat. Het wordt niet aanbevolen om materialen op te slaan die strikte temperaturen vereisen.
- ▶ Stel de temperatuur in de wijnkast niet onnodig laag in. Bij een hoge instelling kunnen temperaturen onder nul optreden. Let op: Flessen kunnen barsten
- ▶ Raak het binnenoppervlak van het apparaat niet aan wanneer het in werking is, vooral niet met natte handen, omdat uw handen aan het oppervlak vast kunnen vriezen.
- ▶ Voor een goede koeling van de wijn mag u het apparaat niet te vol laden.
- ▶ Haal de stekker van het apparaat uit het stopcontact wanneer er een stroomonderbreking optreedt of voordat u het schoonmaakt. Laat het apparaat minstens 7 minuten rusten voordat u het opnieuw opstart, omdat vaak starten de compressor kan beschadigen.
- ▶ **WAARSCHUWING:** Gebruik geen elektrische apparaten in het apparaat, tenzij deze van het type zijn dat door de fabrikant wordt aanbevolen. Om risico's te vermijden moet een beschadigd netsnoer worden vervangen door de klantenservice (zie garantiekaart).
- ▶ Om de levensduur van het apparaat te verlengen, moet u het niet uitschakelen.
- ▶ Plaats het apparaat nooit horizontaal op de grond. Nadat u het apparaat meer dan 45° heeft gekanteld, wacht u 24 uur voordat u het aansluit.

**WAARSCHUWING!****Onderhoud/reiniging**

- ▶ Zorg ervoor dat kinderen onder toezicht staan als ze schoonmaak en onderhoud uitvoeren.
- ▶ Haal de stekker van het apparaat uit het stopcontact voordat u routineonderhoud uitvoert. Laat het apparaat minstens 7 minuten rusten voordat u het opnieuw opstart, omdat vaak starten de compressor kan beschadigen.
- ▶ Houd de stekker vast, niet het snoer, wanneer u de stekker uit het stopcontact haalt.
- ▶ Reinig het apparaat niet met harde borstels, draadborstels, waspoeder, benzine, amylacetaat, aceton en soortgelijke organische oplossingen, zure of alkalische oplossingen. Reinig het apparaat met een speciaal reinigingsmiddel voor koelkasten/vriezers om schade te voorkomen. U kunt eventueel ook een oplossing van warm water en zuiveringszout gebruiken – ongeveer een eetlepel zuiveringszout per liter water. Spoel grondig af met water en veeg droog. Gebruik geen schoonmaakpoeder of andere schurende middelen. Was verwijderbare onderdelen niet in een vaatwasser.
- ▶ **WAARSCHUWING:** Gebruik geen mechanische apparaten of andere middelen om het ontdooien te versnellen, behalve als deze door de fabrikant worden aanbevolen.
- ▶ Als het netsnoer beschadigd is, moet het worden vervangen door de fabrikant, diens servicevertegenwoordiger of vergelijkbaar gekwalificeerde personen om gevaar te voorkomen.
- ▶ Probeer het apparaat niet zelf te repareren, te demonteren of te wijzigen. In geval van reparatie kunt u contact opnemen met onze klantenservice.
- ▶ Als de lampen zijn beschadigd, moeten deze worden vervangen door de fabrikant, diens servicevertegenwoordiger of vergelijkbaar gekwalificeerde personen om gevaar te voorkomen.
- ▶ Verwijder het stof aan de achterkant van het toestel ten minste eenmaal per jaar om brandgevaar en een verhoogd energieverbruik te voorkomen.

- ▶ Spuit niet op het apparaat en spoel het niet af tijdens het reinigen.
- ▶ Gebruik geen waterstraal of stoom om het apparaat schoon te maken.
- ▶ Reinig de koude glazen deur niet met warm water. Door plotselinge temperatuurveranderingen kan het glas breken.
- ▶ Als u het apparaat voor langere tijd buiten gebruik laat, laat het dan open staan om te voorkomen dat er binnenin onaangename geuren ontstaan.

## Informatie over koelgas



### **WAARSCHUWING!**

Het apparaat bevat het brandbare koelmiddel ISOBUTAAN (R600a). Controleer of het koelcircuit tijdens transport of installatie niet is beschadigd. Lekkend koelmiddel kan oogletsel veroorzaken of ontbranden. Als er schade is opgetreden, weghouden van open vuurbronnen, de kamer grondig ventileren, de stekker van het apparaat of enig ander apparaat niet in het stopcontact steken of eruit halen. Informeer de klantenservice.

Als de ogen in contact komen met het koelmiddel, spoel het dan onmiddellijk onder stromend water af en bel onmiddellijk de oogspecialist.

**WAARSCHUWING:** Het koelsysteem staat onder hoge druk. Wijzig er niets aan. Aangezien er brandbare koelmiddelen worden gebruikt, moet u het apparaat volgens de aanwijzingen installeren, verplaatsen en onderhouden en moet u contact opnemen met de professionele vertegenwoordiger of onze klantenservice om het apparaat te verwijderen.

### Bedoeld gebruik

Dit apparaat is bedoeld voor huishoudelijk gebruik of voor soortgelijke toepassingen, zoals:

- personeelskeukens in winkels, kantoren en andere werkomgevingen;
  - op boerderijen en door gasten van hotels, motels en andere woonomgevingen;
  - in bed-and-breakfast-omgevingen;
  - voor catering en dergelijke toepassingen die niet voor de kleinhandel zijn.
- Neem deze gebruiksinstructies in acht om een veilige bewaring van de wijn te garanderen.
- De gegevens over het meest geschikte gedeelte in de koelruimte van het toestel waar specifieke soorten levensmiddelen moeten worden opgeslagen, rekening houdend met de verdeling van de temperatuur die in de verschillende ruimten van het apparaat aanwezig kan zijn, staan in het andere deel van de handleiding.

Wijzigingen of aanpassingen aan het apparaat zijn niet toegestaan. Onbedoeld gebruik kan risico's en verlies van garantieclaims veroorzaken.

## Verwijdering



Het symbool  op het product of op de verpakking geeft aan dat dit product niet als huishoudelijk afval mag worden behandeld. In plaats daarvan moet het worden ingeleverd bij het toepasselijke inzamelpunt voor de recycling van elektrische en elektronische apparatuur. Door dit product correct te verwijderen, helpt u potentiële negatieve gevolgen voor het milieu en de menselijke gezondheid te voorkomen, die anders door de verkeerde behandeling van dit product als afval zouden kunnen worden veroorzaakt. Voor meer gedetailleerde informatie over de recycling van dit product neemt u contact op met het gemeentekantoor in uw woonplaats, de dienst voor verwijdering van huishoudelijk afval of de winkel waar u het apparaat hebt gekocht.

Aangezien er brandbare isolatiegassen worden gebruikt, moet u contact opnemen met de professionele vertegenwoordiger of onze klantenservice om het apparaat te verwijderen.

## WAARSCHUWING!

### Gevaar voor verstikking!

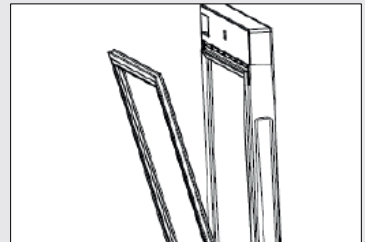
Koelmiddelen en gassen moeten professioneel worden verwijderd. Controleer of de leidingen van het koelmiddelcircuit niet zijn beschadigd voordat ze op de juiste manier worden afgevoerd. Haal de stekker van het apparaat uit het stopcontact. Knip het netsnoer af en gooi het weg. Verwijder de bakken en laden en de deurvergrendeling en -afdichtingen, om te voorkomen dat kinderen en huisdieren in het apparaat worden opgesloten.

- ▶ **WAARSCHUWING:** Haal de stekker van het apparaat uit het stopcontact voordat u het reinigt.
- ▶ Reinig het apparaat niet met harde borstels, draadborstels, wasmiddel, acetaat, aceton en soortgelijke organische oplossingen, zure of alkalische oplossingen. Reinig het apparaat met een speciaal reinigingsmiddel voor koelkasten om schade te voorkomen.
- ▶ Reinig het apparaat als er weinig of geen wijn in is opgeslagen. Het hoeft alleen te worden schoongemaakt wanneer het vuil is.
- ▶ Reinig de binnenkant en behuizing van het apparaat met een spons die is bevochtigd in warm water en een neutraal reinigingsmiddel.
- ▶ Spoel af met schoon warm water en droog het af met een zachte doek.
- ▶ Reinig de onderdelen van het apparaat niet in een vaatwasser.
- ▶ Laat het apparaat minstens 7 minuten rusten voordat u het opnieuw opstart, omdat vaak opstarten de compressor kan beschadigen.



### De deurpakking reinigen:

- ▶ De deurpakkingen moeten om de 3 maanden worden gereinigd om een goede afdichting te verzekeren. Zoals hieronder: Verwijderen: Pak de deurpakking vast en trek hem naar buiten in de richting van de pijl om de hele deurpakking te verwijderen. Doop de borstel in water of voedselkwaliteit alcohol, reinig eerst de groef van de deurpakking door de borstel heen en weer te trekken. Veeg vervolgens het oppervlak van de deurpakking af met een handdoek die gedrenkt is in water of alcohol van voedselkwaliteit. Was tot slot de deurpakking schoon en veeg deze droog met een schone handdoek.



## **De deurpakking installeren na het reinigen:**

Zorg er voor de installatie voor dat er geen water op de deurpakking staat. Steek de pakking van de deur in de groef en duw de deurpakking van boven naar beneden met de hand stevig aan totdat de hele deurpakking in de groef zit.

## **De schappen schoonmaken:**

- ▶ Alle schappen kunnen worden verwijderd voor reiniging.
- ▶ Haal alle flessen uit het apparaat.
- ▶ Til elk schap een beetje op en verwijder.
- ▶ Reinig het schap met een zachte handdoek.
- ▶ Wacht totdat de schappen droog zijn voordat u ze terugplaatst.

## **WAARSCHUWING:**

Wacht minstens 7 minuten met het opnieuw aansluiten van de stroom nadat de stekker uit het stopcontact is gehaald.

Controleer de accessoires en literatuur volgens deze lijst: zonder isolatie.

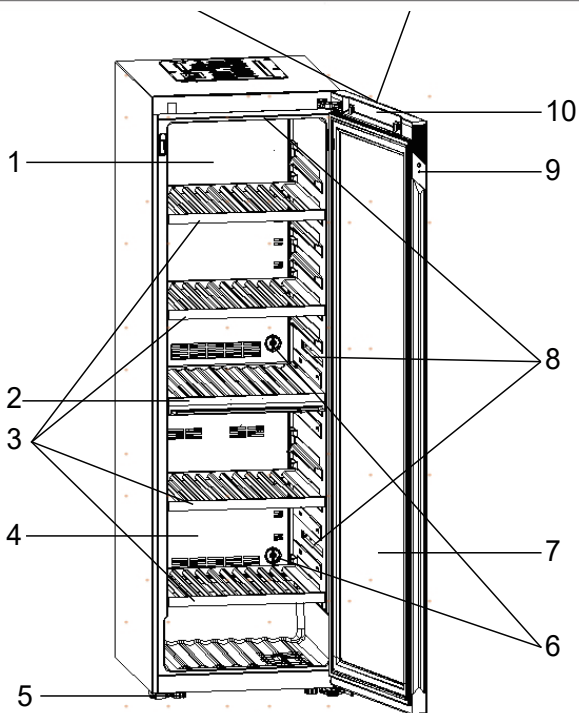
Naam	Gebruikers-handleiding	Service-kaart	Schap	Scharnier-afdekking	Energielabel	Sleutel
HWS247GGU1	1	1	5	1	1	2
HWS236GDBGU1	1	1	4	1	1	2



## Let op

Door technische wijzigingen en verschillende modellen kunnen sommige afbeeldingen in deze handleiding afwijken van uw model.

### Afbeelding van apparaat



(HWS236GDGU1)

- |                                 |                  |
|---------------------------------|------------------|
| 1. Bovenste luchtkanaalverdeler | 6. Deur          |
| 2. Schap                        | 7. Ledlamp       |
| 3. Onderste luchtkanaalverdeler | 8. Vergrendeling |
| 4. Verstelbare pootjes          | 9. Display       |
| 5. Geactiveerde koolstoffilter  |                  |

## 1. Uitpakken

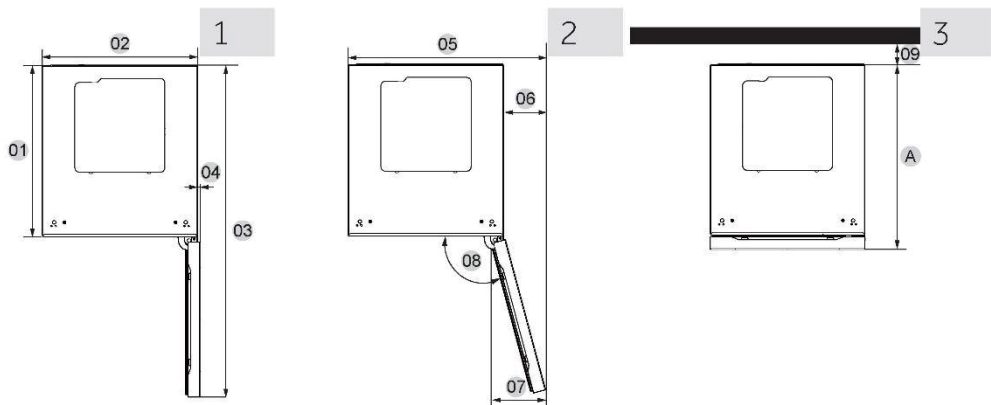
- ▶ Haal het apparaat uit de verpakking.
- ▶ Verwijder al het verpakkingsmateriaal, inclusief de schuimbodem en al het plakband waarmee de accessoires vastzitten.

## 2. Omgevingsomstandigheden

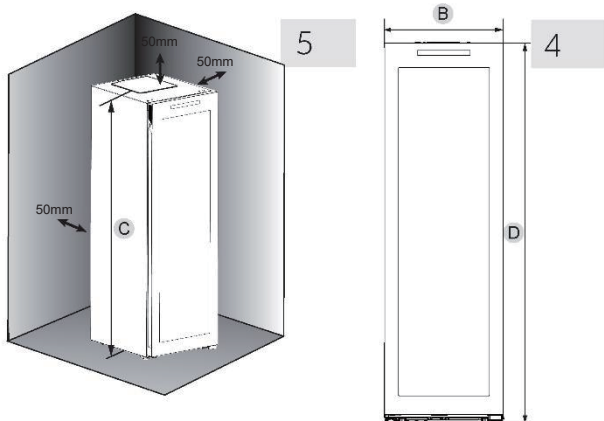
De kamertemperatuur moet altijd tussen 10°C en 38°C liggen, aangezien het de temperatuur in het apparaat en het energieverbruik kan beïnvloeden. Installeer het apparaat niet in de buurt van andere warmtebronnen (ovens, koelkasten) zonder isolatie.

## 3. Benodigde ruimte

De vereiste ruimte om de deur te openen (afb. 1, 2, 3, 4). Voor veiligheid en vanwege energie moet de vereiste ventilatieafstand van 50 mm in alle richtingen in acht worden genomen (afb. 5).



Measurement: mm	HWS247GGU1	HWS236GDGU1
Diepte A	714	714
Breedte B	597	597
Hoogte C	1905	1905
Totale hoogte D	1900	1900
01	654	654
02	595	595
03	1273	1273
04	11	11
05	756	756
06	161	161
07	200	200
08	105°	105°
09	50	50





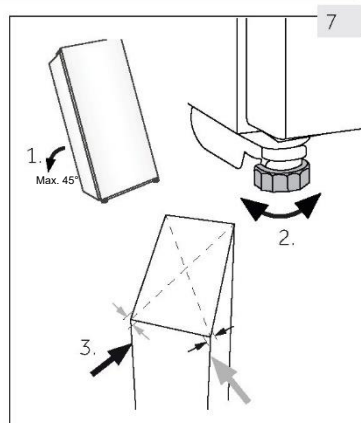
## WAARSCHUWING!

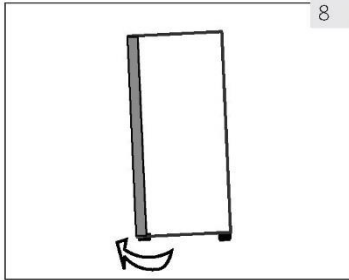
- Zorg ervoor dat de ventilatieopeningen in het apparaat of in de ingebouwde constructie open blijven. Dit koelapparaat is niet bedoeld voor gebruik als inbouwapparaat

## 5. Het apparaat uitlijnen

Plaats het apparaat op een vlakke en vaste ondergrond.

1. Kantel het apparaat iets naar achteren (afb. 7).
2. Stel de verstelbare voorste pootjes in op het gewenste niveau door ze te draaien.
3. De stabiliteit kan worden gecontroleerd door afwisselend op de diagonalen te duwen. De lichte slingering moet in beide richtingen hetzelfde zijn. Anders kan het frame kromtrekken; mogelijk lekkende deurafdichtingen zijn het resultaat. Een kleine helling naar achteren vergemakkelijkt het sluiten van de deur.





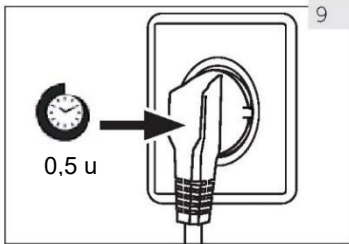
8

## 6. Fijnafstelling van de deur

Het apparaat sluit gemakkelijker af als de stelvoetjes aan de voorkant worden gebruikt:

Draai aan de verstelbare voetjes (afb. 8) om ze omhoog of omlaag te draaien:

- ▶ Door de voetjes rechtsom te draaien, gaat het apparaat omhoog.
- ▶ Door de voetjes linksom te draaien, gaat het apparaat omlaag.



9

## 7. Wachtijd

De onderhoudsvrije smeeroilie bevindt zich in de behuizing van de compressor. Deze olie kan tijdens het vervoer door het gesloten leidingsysteem komen als het apparaat wordt gekanteld. Voordat u het apparaat op de voeding aansluit, wacht u 0,5 uur (afb. 9) zodat de olie weer in de behuizing loopt.

## 8. Elektrische aansluiting

Controleer vóór elke aansluiting of:

- ▶ voeding, stopcontact en zekering geschikt zijn volgens het typeplaatje;
- ▶ het stopcontact is geaard en er geen stekkerdoos of verlengsnoer is;
- ▶ de stekker en het stopcontact goed passen.

Sluit de stekker aan op een correct geïnstalleerd huishoudelijk stopcontact.



### WAARSCHUWING!

Om risico's te vermijden moet een beschadigd netsnoer worden vervangen door de klantenservice (zie garantiekaart).

## 9. Omkeerbaarheid van de deur

Voordat u het apparaat aansluit op de voeding, moet u controleren of de zwaai van de deur moet veranderen van rechts (zoals geleverd) naar links, als dat nodig is voor de installatieplaats en de bruikbaarheid.

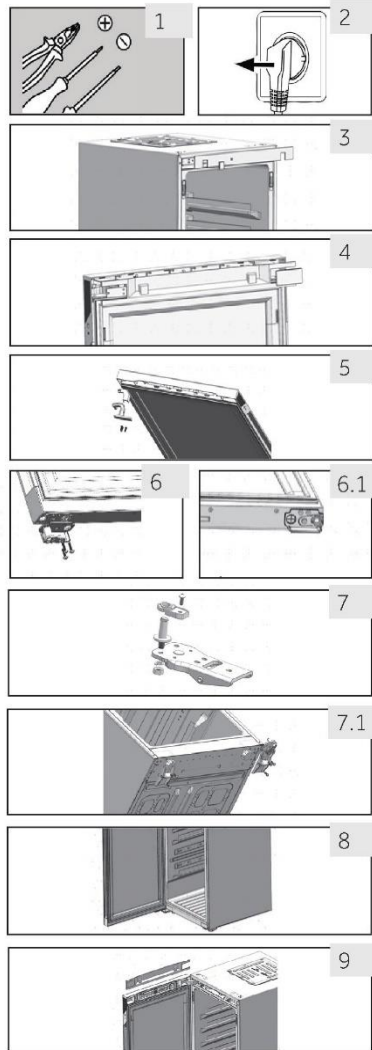


### WAARSCHUWING!

- ▶ Het apparaat is zwaar. Er zijn twee personen nodig om de deur om te keren.
- ▶ Haal de stekker van het apparaat uit het stopcontact voordat u eraan gaat werken.
- ▶ Kantel het apparaat niet meer dan 45° om schade aan het koelsysteem te voorkomen.

## Montagestappen

1. Zorg voor het nodige gereedschap.
2. Haal de stekker van het apparaat uit het stopcontact.
3. Verwijder het bovenste balkdeksel en het kleine deksel. Installeer de links/rechts-omzetting van het kleine deksel.
4. Verwijder het deksel van de kabelgoot en het trimdeksel. Installeer de links/rechts-omzetting van de decoratieve afdekking. Verwijder de zwarte rubberen plug uit het linker sleutelgat aan de binnenkant van de deurbehuizing en installeer deze in het rechter sleutelgat.
5. Verwijder de scharnierafdekking. Gebruik het gereedschap om de 3 schroeven te verwijderen en de portaalbehuizing te verwijderen.
6. Verwijder de 3 schroeven onder de portaalbehuizing met het gereedschap, het portaalbehuizingsnokje en de deurstop. Installeer de links/rechts-omzetting aan de andere kant van de portaalbehuizing.
7. Verwijder het busscharnier met het gereedschap. Verwijder eerst het scharniernokje in de onderste scharnierset, verplaats de scharnieras naar het rechter schroefgat, monteer. Plaats de installatie met de wielondersteuningseenheid aan de rechterzijde van de bus.
8. De portaalbehuizing wordt verticaal neerwaarts op de scharnieras geplaatst.
9. Het bovenste scharnier wordt in het schachtgat van de portaalbehuizing geplaatst. Zet de box vast met schroeven, plaats de afdekking van de draadbus en de afdekking van de bovenste balk.



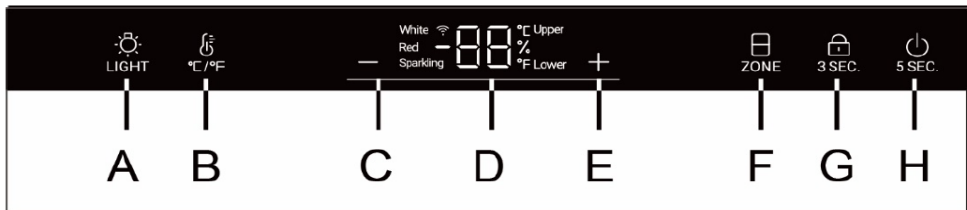
## 1. Vóór het eerste gebruik

- ▶ Verwijder al het verpakkingsmateriaal. Dit geldt zowel voor de schuimbasis als voor al het plakband waarmee de accessoires van de wijnkast zowel binnen als buiten vastzitten. Houd het buiten het bereik van kinderen en gooi het weg op een milieuvriendelijke manier.
- ▶ Reinig de binnen- en de buitenkant van het apparaat met water en een mild reinigingsmiddel voordat u er wijn in plaatst.
- ▶ Nadat het apparaat waterpas is gezet en schoongemaakt, moet u minstens 2 uur wachten voordat u het op het elektriciteitsnet aansluit. Als uw wijnkast om welke reden dan ook is gekanteld, wacht dan 24 uur voordat u het apparaat aansluit. Zie het hoofdstuk INSTALLATIE.
- ▶ Nadat u het apparaat hebt aangesloten op een stopcontact, laat u het minstens 30 minuten werken om te acclimatiseren voordat u eventuele aanpassingen aanbrengt.
- ▶ De temperatuur wordt automatisch ingesteld op 12°C. Indien gewenst kunt u de temperatuur handmatig wijzigen. Zie TEMPERATUUR.

## 2. Aanraaktoetsen

De toetsen op het bedieningspaneel zijn aanraaktoetsen, die reageren als ze licht met de vinger worden aangeraakt.

## 3. Beschrijving van het bedieningspaneel



- |                                |                                |
|--------------------------------|--------------------------------|
| A Binnenverlichtingstoets      | E Temperatuurregeltoets: hoger |
| B °C/°F-omzettingstoets        | F Selectie temperatuurzone     |
| C Temperatuurregeltoets: lager | G Vergrendelingstoets          |
| D Display                      | H Aan/uit-toets                |

## 4. Automatische vergrendelfunctie

Houd in de vergrendelingsstatus de vergrendelingstoets 3 seconden ingedrukt. Het display toont 3, 2 en 1, het display wordt ontgrendeld en het slotpictogram is half verlicht. Als er geen actie wordt uitgevoerd, dan wordt het scherm na 30 seconden automatisch vergrendeld. In de vergrendelingsstatus branden de pictogrammen van alle vergrendelde toetsen op het display en kunnen de toetsen op het display niet worden bediend (behalve de lichttoets).

## 5. Functie aan/uit-toets

Wanneer het scherm is uitgeschakeld, raakt u een willekeurige toets aan en dan licht het scherm op. Houd de aan/uit-toets ingedrukt en het display toont 5, 4, 3, 2 en 1, en de stroom in het gehele apparaat wordt uitgeschakeld. Wanneer het apparaat uit is, houdt u de aan/uit-toets ingedrukt en 5, 4, 3, 2, 1 wordt weergegeven. De stroom is ingeschakeld.

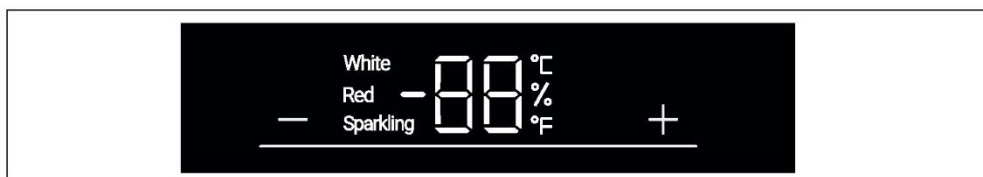
## 6. Temperatuurinstelling



### Let op

#### Voorinstellingen

- ▶ Nadat u het apparaat hebt aangesloten op een stopcontact, laat u het minstens 30 minuten werken om te acclimatiseren voordat u eventuele aanpassingen aanbrengt.
- ▶ Wanneer het apparaat wordt ingeschakeld nadat de stekker uit het stopcontact is gehaald, kan het enkele uren duren voordat de juiste temperaturen zijn bereikt. De exacte tijd verschilt afhankelijk van de omgeving en de temperatuurinstelling.



Druk op de toets of . Het display begint te knipperen. Druk op de toets of om de gewenste temperatuur in te stellen. Het temperatuurbereik: 5–20°C (41–68°F). Stop 3 seconden met het indrukken van de toets en de temperatuur wordt bevestigd.

## 7. Zonemodus of functie



Druk op de toets **MODE**. De temperatuur wisselt van Sparkling (mousserend, 8°C of 47°F) naar White (wit, 12°C of 54°F) en Red (rood, 16°C of 61°F) HWS247GGU1.

In de ontgrendelde toestand staat het pictogram volledig aan. Als de huidige weergave zich in de bovenste temperatuurzone bevindt, is het bovenste pictogram aan en het onderste pictogram uit. Druk nu op de toets ; het onderste pictogram gaat aan en het bovenste pictogram gaat uit. HWS236GDGU1

### Aanbevolen temperatuurinstellingen

De volgende drinktemperaturen worden aanbevolen voor de verschillende soorten wijn.

Rode wijn	+13°C tot +20°C (+55°F tot +68°F)	Mousserende wijn Prosecco	+5°C tot +8°C (+41°F tot 47°F)
Witte wijn	+9°C tot +12°C (+48°F tot +54°F)		

Als u wijn voor langere tijd opslaat, moet deze worden bewaard bij een temperatuur tussen +10°C en +12°C (50°F en +54°F).

## 8. Stand-bymodus

Het display wordt automatisch 30 seconden gedimd.

Het licht automatisch op wanneer er een toets wordt aangeraakt of de deur wordt geopend.



## Let op

### Invloeden op de temperatuur

De temperatuur in het apparaat wordt beïnvloed door de volgende factoren:

- ▶ Omgevingstemperatuur
- ▶ Frequentie van het openen van de deur
- ▶ Aantal opgeslagen flessen
- ▶ De plaats van het apparaat

De standaardinstelling is 12°C

Wanneer het display stopt met knipperen, gaat het terug naar het weergeven van de huidige temperatuur in de wijnkast. Het zal enige tijd duren om de ingestelde temperatuur te bereiken.

## 9. De verlichtingsmodus instellen

Druk op de toets . Wanneer de verlichting in de kast aan is, gaan de lichten geleidelijk branden. Wanneer u nogmaals op de toets  drukt, gaan de lichten geleidelijk uit.

## 10. °C/°F-functie

Druk op de toets  om af te wisselen tussen Fahrenheit en Celsius.

## 11. Aan/uit-geheugenfunctie

Bij een stroomstoring slaat de wijnkast automatisch de ingestelde temperatuur op. Nadat de stroom terug is, werkt het apparaat op basis van de ingestelde temperatuur voor de stroomuitval.

## 12. Lage-temperatuurcompensatiefunctie

De wijnkast heeft een lage-temperatuurcompensatiefunctie om de stabiliteit van de temperatuur te waarborgen: Wanneer de omgevingstemperatuur lager is dan de ingestelde temperatuur, start de wijnkast automatisch de lage-temperatuurcompensatiefunctie, waardoor het apparaat wordt verwarmd. Wanneer de temperatuur in de toepassing de ingestelde temperatuur bereikt, wordt de lage-temperatuurcompensatiefunctie automatisch uitgeschakeld.

## 13. Alarm deur open

Als de deur meer dan 1 minuut open blijft, piept de zoemer om een alarm te geven totdat de deur gesloten is; er kan ook een willekeurige toets op het displaypaneel worden gebruikt om de zoemer te laten stoppen met piepen.



## Tips voor energiebesparing

- ▶ Zorg ervoor dat het apparaat goed wordt geventileerd (zie INSTALLATIE).
- ▶ Installeer het apparaat niet in direct zonlicht of in de buurt van warmtebronnen (bijv. kachels, verwarmingstoestellen).
- ▶ Vermijd onnodig lage temperaturen in het apparaat. Het energieverbruik neemt toe naarmate de temperatuur in het apparaat lager is ingesteld.
- ▶ Open de deur van het apparaat zo weinig en zo kort mogelijk.
- ▶ Overschrijd de voorgeschreven hoeveelheid flessen niet, om te voorkomen dat de luchtstroom wordt belemmerd.
- ▶ Houd de deuropakking schoon, zodat de deur altijd goed sluit.
- ▶ De meest energiebesparende configuratie vereist dat de lade, de bak en de planken als nieuw in het apparaat worden geplaatst en dat voedsel zo wordt geplaatst dat het de luchtuitlaat van het luchtkanaal niet blokkeert.

## 14. Instelling wifi-modus

CONNECTIVITEIT  
DRAADLOZE PARAMETERS

Technologie	Wi-Fi	Bluetooth
Standaard	IEE 802.11 b/g/n	Bluetooth v4.2, BR/EDR, BLE
Frequentieband(en) [MHz]	2401÷2483	2402÷2480
Maximaal vermogen [mW]Band(en) [MHz]	100	10

## PRODUCTINFORMATIE

## Hoe wifi-module te activeren:

- . Druk 3 seconden op de lichtknop om de Wi-Fi . te activeren
- . De wifi-module is ingeschakeld het wifi-pictogram begint te knipperen
- . Als de wijnkelder is geregistreerd maar de wifi is uitgeschakeld, knippert het pictogram
- . Als de wijnkelder is geregistreerd en verbonden, is het Wi-Fi-pictogram altijd aan
- . Om de Wi-Fi te resetten, drukt u 3 seconden op het lampje

## IN-APP-KOPPELINGSPROCEDURE

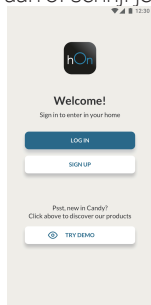
## Step 1

- . Download de hOn-app in de winkels



## Step 2

Meld je aan of schrijf je in



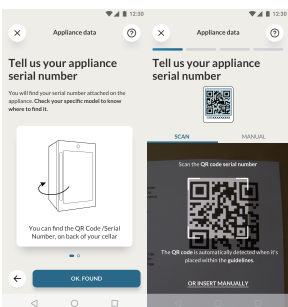
## Step 3

- . Voeg een nieuw apparaat toe en selecteer de wijnkelder uit de lijst



## Step 4

. Scan de QR of voer handmatig het serienummer in



## Step 5

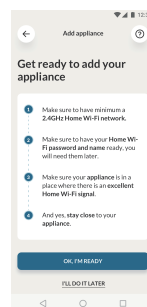
. Druk 3 seconden op de lichtknop op het product om wifi te activeren



## Step 6

. Het wifi-pictogram knippert, het koppelingsproces is bezig  
. Je hebt 5 minuten om het koppelingsproces te voltooien  
. Wanneer het proces is voltooid, stopt het Wi-Fi-pictogram met knipperen en blijft het altijd aan

## NOTITIE

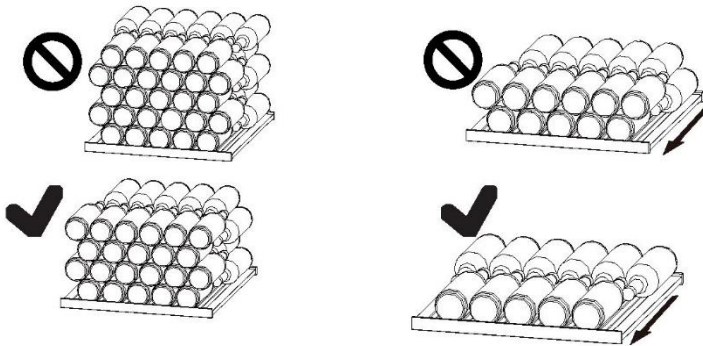


## 1. Schap


1. De schappen zijn zo ontworpen dat de wijn gemakkelijk kan worden opgeslagen en verwijderd. Ze kunnen met een zachte handdoek worden gereinigd.
2. Regelmatige gevormde flessen met een diameter van 76 mm kunnen worden opgestapeld.
3. Magnumflessen kunnen op de onderste plank worden gestapeld.
4. De hoeveelheid kan variëren van het aangegeven aantal flessen als ze op een andere manier worden opgestapeld.

### Advies voor de indeling van uw wijnkast

Wij raden aan niet meer dan vier lagen wijnflessen per schap te plaatsen en de belasting van de wijschappen mag niet hoger zijn dan 60 flessen in de wijnkast. Bevestig of de wijschappen volledig stabiel zijn. Bevestig daarnaast of er geen flessen uitsteken van de schappen om te voorkomen dat flessen de glazen deur raken bij het sluiten ervan.



## 2. De verlichting

De led-binnenverlichting gaat branden als de deur wordt geopend. Om het licht aan te zetten terwijl de deur gesloten is, drukt u op de toets  Om de verlichting uit te schakelen, drukt u nogmaals op de toets. Om de energiezuinigheid te verhogen, moet de verlichting worden uitgeschakeld als de wijnkast niet wordt bekeken.

## 3. Het slot

Om de wijnkast te vergrendelen, sluit u de deur en steekt u de sleutel in het slot:

- ▶ Vergrendel de deur door de sleutel rechtsom te draaien;
- ▶ Ontgrendel de deur door de sleutel linksom te draaien.

## 1. Ontdooien

Het ontdooien van de wijnkast gebeurt automatisch; er is geen handmatige actie nodig.

## 2. De ledlamp vervangen

De lamp gebruikt een led als lichtbron, met een laag energieverbruik en een lange levensduur. Als er sprake is van een afwijking, neem dan contact op met de klantenservice. Zie KLANTENSERVICE.



### WAARSCHUWING!

Vervang de ledlamp niet zelf. Deze mag alleen worden vervangen door de fabrikant of de erkende servicevertegenwoordiger.

### Parameters van de ledlamp:

Spanning 12 V

Max. vermogen: 18 W

## 3. Niet gebruiken voor een langere periode

Haal de stekker van het netsnoer uit het stopcontact.

Reinig het apparaat en de deurpakkingen zoals hierboven beschreven.

Houd de deur open om de vorming van nare geuren binnenin te voorkomen.

## 4. Het apparaat verplaatsen

1. Verwijder alle flessen en haal de stekker van het apparaat uit het stopcontact.

2. Zet schappen en andere beweegbare delen in de wijnkast vast met plakband.

3. Kantel de wijnkast niet meer dan 45° om schade aan het koelsysteem te voorkomen.

## 5. Luchtuitwisseling met actief koolfilter

De wijze waarop de wijnen verder rijpen hangt af van de omgevingsomstandigheden. De kwaliteit van de lucht is daarom bepalend voor het behoud van de wijn. In het onderste gedeelte van de achterwand van het apparaat is een actief koolstoffilter aangebracht om restanten optimaal te kunnen doorlaten.



### Let op

We raden u aan het filter één keer per jaar te vervangen. Filters zijn te verkrijgen bij uw dealer.

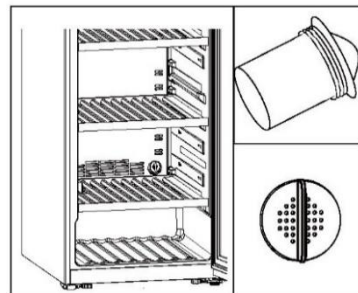
### Het filter vervangen:

Pak het filter vast bij het handvat. Draai het naar links en verwijder het.

### Het filter aanbrengen:

Breng het aan met de handgreep in verticale positie.

Draai het naar rechts en breng het aan.



Veel problemen kunnen door uzelf worden opgelost zonder specifieke expertise. Raadpleeg in geval van een probleem alle getoonde mogelijkheden en volg de onderstaande instructies voordat u contact opneemt met de klantenservice. Zie KLANTENSERVICE.



### WAARSCHUWING!

- ▶ Schakel het apparaat uit voordat u onderhoud uitvoert en haal de stekker uit het stopcontact.
- ▶ Elektrische apparatuur mag alleen worden onderhouden door gekwalificeerde elektrische experts, omdat onjuiste reparaties aanzienlijke gevolgschade kunnen veroorzaken.
- ▶ Als de voeding beschadigd is, mag deze alleen worden vervangen door de fabrikant, diens servicevertegenwoordiger of vergelijkbaar gekwalificeerde personen om gevaar te voorkomen.

Foutcode	Oorzaak	Oplossing
L2	Alarm voor lage temperatuur wanneer de temperatuur van de regelsensor te laag is.	<ol style="list-style-type: none"> <li>1. Controleer de omgevingstemperatuur.</li> <li>2. Controleer de compressorconnector.</li> <li>3. Controleer de weerstand van de temperatuurregelsensor.</li> </ol>
H1	Wanneer de temperatuur van de regelsensor te hoog is, wordt het alarm voor hoge temperatuur weergegeven op het display.	<ol style="list-style-type: none"> <li>1. Controleer de connector van het bedieningspaneel of het displaypaneel.</li> <li>2. Controleer de weerstand en de spanning van de ventilator.</li> <li>3. Controleer de ventilator en de compressorconnector.</li> </ol>

Probleem	Mogelijke oorzaak	Mogelijke oplossing
De compressor werkt niet.	<ul style="list-style-type: none"> <li>De netstekker is niet aangesloten op het stopcontact.</li> </ul>	<ul style="list-style-type: none"> <li>Steek de stekker in het stopcontact.</li> </ul>
Het apparaat loopt vaak of te lang.	<ul style="list-style-type: none"> <li>De buitentemperatuur is te hoog.</li> <li>Het apparaat is een tijd lang niet ingeschakeld geweest.</li> <li>Een deur van het apparaat is niet goed gesloten.</li> <li>De deur is te vaak of te lang geopend.</li> <li>De deuropakkingen zijn vuil, versleten, gebarsten of niet goed op elkaar afgestemd.</li> <li>De vereiste luchtcirculatie is niet gegarandeerd.</li> <li>De temperatuur is te laag ingesteld.</li> </ul>	<ul style="list-style-type: none"> <li>In dit geval is het normaal dat het apparaat langer werkt.</li> <li>Normaal gesproken duurt het even voordat het apparaat volledig is afgekoeld.</li> <li>Sluit de deur en zorg ervoor dat het apparaat op een vlakke ondergrond staat en dat er geen etenswaren of containers de deur blokkeren.</li> <li>Open de deur niet te vaak.</li> <li>Reinig de deuropakkingen of laat ze vervangen door de klantenservice.</li> <li>Zorg voor voldoende ventilatie.</li> <li>Het probleem lost zichzelf op wanneer de gewenste temperatuur is bereikt.</li> </ul>
De binnenkant van de wijnkast is vuil en/of stinkt.	<ul style="list-style-type: none"> <li>De binnenkant van de wijnkast moet worden schoongemaakt.</li> </ul>	<ul style="list-style-type: none"> <li>Maak de binnenkant van de wijnkast schoon.</li> </ul>
Het is niet koud genoeg in het apparaat.	<ul style="list-style-type: none"> <li>De temperatuur is te hoog ingesteld.</li> <li>Er zijn recentelijk flessen toegevoegd.</li> <li>Een deur van het apparaat is niet goed gesloten.</li> <li>De deur is te vaak of te lang geopend.</li> <li>De deuropakkingen zijn vuil, versleten, gebarsten of niet goed op elkaar afgestemd.</li> </ul>	<ul style="list-style-type: none"> <li>Stel de temperatuur opnieuw in.</li> <li>Houd rekening met de tijd die nodig is voor de recent toegevoegde flessen om de gewenste temperatuur te bereiken.</li> <li>Sluit de deur.</li> <li>Open de deur niet te vaak.</li> <li>Reinig de deuropakkingen of laat ze vervangen door de klantenservice.</li> </ul>
Het is te koud in het apparaat.	<ul style="list-style-type: none"> <li>De temperatuur is te laag ingesteld.</li> </ul>	<ul style="list-style-type: none"> <li>Stel de temperatuur opnieuw in.</li> </ul>
Vochtvorming aan de binnenkant van het koelkastgedeelte.	<ul style="list-style-type: none"> <li>Het klimaat is te warm en te vochtig.</li> <li>Een deur van het apparaat is niet goed gesloten.</li> <li>De deur is te vaak of te lang geopend.</li> </ul>	<ul style="list-style-type: none"> <li>Verhoog de temperatuur.</li> <li>Sluit de deur.</li> <li>Open de deur/lade niet te vaak.</li> </ul>

Probleem	Mogelijke oorzaak	Mogelijke oplossing
Vocht hoopt zich op het buitenoppervlak van de wijnkast op.	<ul style="list-style-type: none"> <li>Het klimaat is te warm en te vochtig</li> <li>De deur is niet goed gesloten. De koude lucht in het apparaat en de warme lucht buiten condenseert.</li> </ul>	<ul style="list-style-type: none"> <li>Dit is normaal in een vochtig klimaat en zal veranderen wanneer de luchtvochtigheid daalt.</li> <li>Controleer of de deur goed gesloten is en of de pakkingen goed afdichten.</li> </ul>
Het apparaat maakt afwijkende geluiden	<ul style="list-style-type: none"> <li>Het apparaat staat niet op een vlakke ondergrond.</li> <li>Het apparaat raakt voorwerpen rondom.</li> </ul>	<ul style="list-style-type: none"> <li>Stel de pootjes af om het apparaat waterpas te zetten.</li> <li>Verwijder voorwerpen rondom het apparaat.</li> </ul>
Er is een licht geluid te horen dat lijkt op water.	<ul style="list-style-type: none"> <li>Dit is normaal</li> </ul>	<ul style="list-style-type: none"> <li>-</li> </ul>
De binnenverlichting of het koelsysteem werkt niet.	<ul style="list-style-type: none"> <li>De stekker is niet aangesloten op het stopcontact.</li> <li>De voeding is niet intact.</li> <li>Het ledlampje is buiten werking.</li> </ul>	<ul style="list-style-type: none"> <li>Steek de stekker in het stopcontact.</li> <li>Controleer de elektrische voeding naar de kamer. Bel het plaatselijke elektriciteitsbedrijf.</li> <li>Bel de klantenservice voor het vervangen</li> </ul>
De zijkanten van de koeler en de deurstrip worden warm	<ul style="list-style-type: none"> <li>Dit is normaal.</li> </ul>	<ul style="list-style-type: none"> <li>-</li> </ul>
De deur sluit niet goed	<ul style="list-style-type: none"> <li>Het apparaat staat niet waterpas.</li> <li>De deur is geblokkeerd.</li> </ul>	<ul style="list-style-type: none"> <li>Stel het apparaat waterpas met de stelvoetjes.</li> <li>Controleer op blokkeringen zoals flessen of planken.</li> </ul>

Ga naar onze website om contact op te nemen met de technische dienst: <https://corporate.haier-europe.com/en/>.

Kies onder de kop 'websites' het merk van uw product en uw land. U wordt doorgestuurd naar de specifieke website waar u het telefoonnummer kunt vinden en contact kunt opnemen met de technische dienst.

Productkaart volgens de verordening EU nr. 2019/2016

Merk	Haier	Haier
Modelnaam/identificatie	HWS247GGU1	HWS236GDGU1
Categorie	Wine Cellar	Wine Cellar
Energie-efficiëntieklasse	G	G
Jaarlijks energieverbruik (kWh/jaar) <sup>1)</sup>	184	184
Opslagvolume (L)	450	448
Klimaatklasse: Dit apparaat is bedoeld voor gebruik bij een omgevingstemperatuur tussen 10°C en 38°C.	SN N ST	SN N ST
Geluidsemissies via de lucht (db(A) re 1pW)	C(37)	C(37)
Type apparaat	Freestanding	Freestanding
Dit apparaat is uitsluitend bedoeld voor het bewaren van wijn.	Ja	Ja
Afmetingen (B/D/H in mm)	597/714/1900	597/714/1900

Uitleg:

1) gebaseerd op de resultaten van de standaardtest gedurende 24 uur. Het werkelijke energieverbruik is afhankelijk van de werkelijke omgeving, het aantal flessen, de ingestelde temperatuur, het openen en sluiten van de deur, enz.

2) Het nominale energieverbruik is de waarde die volgens de standaardtest wordt verkregen wanneer de binnerverlichting van de wijnkast niet wordt ingeschakeld.

- Uitgebreid gematigd: 'dit koelapparaat is bedoeld voor gebruik bij omgevingstemperatuur variërend van 10°C tot 32°C';
- Gematigd: 'dit koelapparaat is bedoeld voor gebruik bij omgevingstemperatuur variërend van 16°C tot 32°C';
- Subtropisch: 'dit koelapparaat is bedoeld voor gebruik bij omgevingstemperatuur variërend van 16°C tot 38°C';
- Tropisch: 'dit koelapparaat is bedoeld voor gebruik bij omgevingstemperatuur variërend van 16°C tot 43°C';

## Normen en richtlijnen

Dit product voldoet aan de eisen van alle toepasselijke EG-richtlijnen met de bijbehorende geharmoniseerde normen die voorzien in een CE-markering.

Wij adviseren onze Haier klantenservice en het gebruik van originele onderdelen.

Als u een probleem hebt met uw apparaat, controleer dan eerst het hoofdstuk PROBLEMEN OPLOSSEN. Als u daar geen oplossing kunt vinden, neem dan contact op met

- ▶ uw plaatselijke dealer; of
- ▶ ga naar de Service & Support-zone op [www.haier.com](http://www.haier.com) waar u telefoonnummers en veelgestelde vragen kunt vinden en waar u de serviceclaim kunt activeren.

Om contact op te nemen met onze klantenservice, moet u ervoor zorgen dat u over de volgende gegevens beschikt.

De informatie is te vinden op het typeplaatje.

Model \_\_\_\_\_ Serienummer \_\_\_\_\_

Controleer ook de garantiekaart die met het product is meegeleverd in geval van garantie. Voor algemene zakelijke vragen vindt u hieronder onze adressen in Europa:

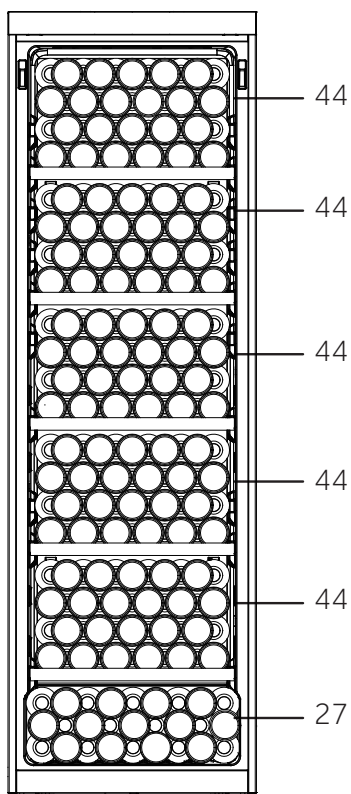
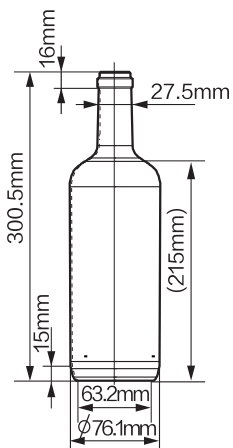
#### Europese Haier-adressen

Land*	Postadres	Land	Postadres
<b>Italië</b>	Haier Europe Trading SRL Via de Cristoforis, 12 21100 Varese ITALIË	<b>Frankrijk</b>	Haier Europe Trading SRL Via de Cristoforis, 12 21100 Varese ITALIË
<b>Spanje Portugal</b>	Haier Iberia SL Pg. Garcia Faria, 49-51 08019 Barcelona SPANJE	<b>België-FR België-NL Nederland Luxemburg</b>	Haier Benelux SA Anderlecht Route de Lennik 451 BELGIË
<b>Duitsland Oostenrijk</b>	Haier Deutschland GmbH Hewlett-Packard-Str. 4 D-61352 Bad Homburg DUITSLAND	<b>Polen Tsjechië Hongarije Griekenland</b>	Haier Poland Sp. zo.o. Al. Jerozolimskie 181B 02-222 Warszawa (Warschau) POLEN
<b>Verenigd Koninkrijk</b>	Haier Appliances UK Co. Ltd. One Crown Square Church Street East Woking, Surrey, GU21 6HR UK	<b>Roemenië Rusland</b>	

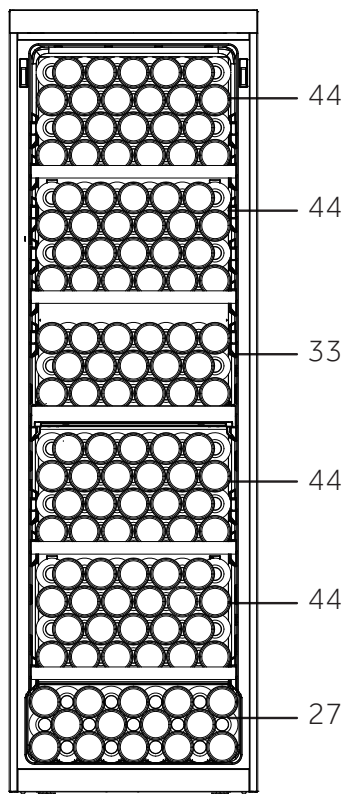
**BESCHIKBAARHEID VAN RESERVEONDERDELEN:** Thermostaten, temperatuursensoren, printplaten en lichtbronnen zijn gedurende minimaal zeven jaar na het op de markt brengen van de laatste eenheid van het model beschikbaar. Deurgrepen, deurscharnieren, bakken en manden zijn minimaal zeven jaar en deurrubbers minimaal tien jaar na het in de handel brengen van de laatste eenheid van het model verkrijgbaar.

**De minimumgarantie is:** 2 jaar voor EU-landen, 3 jaar voor Turkije, 1 jaar voor het Verenigd Koninkrijk, 1 jaar voor Rusland, 3 jaar voor Zweden, 2 jaar voor Servië, 5 jaar voor Noorwegen, 1 jaar voor Marokko, 6 maanden voor Algerije, Tunesië geen wettelijke garantie vereist.

**Raadpleeg voor meer informatie over het product** <https://eprel.ec.europa.eu/> of scan de QR-code op het energielabel dat met het apparaat wordt meegeleverd.



**HWS247GGU1**



**HWS236GDGU1**







Haier

# Navodila za uporabo

Hladilnik za vino

HWS247GGU1  
HWS236GDGU1

SL

**Haier**

## Zahvaljujemo se vam za nakup izdelka Haier.

Pred uporabo aparata skrbno preberite ta navodila. Navodila vsebujejo pomembne informacije, ki vam bodo pomagale čim boljše izkoristiti aparat ter zagotoviti varno in pravilno namestitev, uporabo in vzdrževanje.

Ta priročnik hranite na priročnem mestu, da je vedno na dosegu roke za varno in pravilno uporabo aparata.

Če aparat prodate, ga podarite ali pustite za sabo, ko se selite, poskrbite, da boste ta priročnik predali novemu lastniku, da se bo lahko seznanil z aparatom in varnostnimi opozorili.



### Legenda

#### Opozorilo – Pomembne varnostne informacije



Splošne informacije in nasveti



Okoljske informacije



#### Odstranjevanje

Pomagajte varovati okolje in zdravje ljudi. Embalažo odložite v ustrezne zbiralnike za recikliranje. Pomoč pri recikliranju električnih in elektronskih odpadnih naprav. Aparatov, označenih s tem simbolom, ne odlagajte med gospodinjne odpadke. Vrnite izdelek vašemu lokalnemu obratu za recikliranje ali se obrnite na občinski urad.



## OPOZORILO!

### Nevarnost telesnih poškodb ali zadužitve!

Hladila sredstva in pline je treba odstraniti profesionalno. Prepričajte se, da cevi hladilnega tokokroga niso poškodovane, preden jih ustrezno zavržete. Aparat pred čiščenjem odklopite z napajanja. Odsluženemu aparatu odrežite električni kabel in ga zavržite. Odstranite pladnje in predale ter zatič in tesnila vrat, da preprečite zapiranje otrok in hišnih ljubljencev v aparat.

Stari aparati imajo še vedno nekaj preostale vrednosti. Okolju prijazen način odstranjevanja bo zagotovil, da se dragocene surovine lahko predelajo in ponovno uporabijo.

Ciklopentan, vnetljiva snov, ki ni škodljiva za ozon, se uporablja kot ekspanter izolacijske pene.

Če izdelek pravilno zavržete, prispevate k preprečevanju morebitnih negativnih posledic za okolje in človekovo zdravje, ki jih lahko povzročijo.

Za natančnejše informacije o recikliranju tega izdelka se obrnite na svoj lokalni urad, podjetje za gospodinjne odpadke ali na trgovino, kjer ste aparat kupili in jo vodijo strokovnjaki.

1- Varnostne informacije .....	4
2- Varnostni nasveti .....	7
3- Vzdrževanje .....	11
4- Dodatki .....	13
5- Opis izdelka .....	14
6- Namestitvev .....	15
7- Uporaba .....	19
8- Namigi za varčevanje z električno energijo.....	24
9- Oprema .....	25
10- Vzdrževanje in čiščenje .....	26
11- Odpravljanje težav .....	27
12- Tehnični podatki .....	30
13- Služba za pomoč strankam .....	32
14- Zlaganje vinskih steklenic.....	32

**Ta aparat je namenjen izključno hrambi vina. Pred prvim vklopom aparata preberite naslednje varnostne nasvete:**



## **OPOZORILO!**

### **Pred prvo uporabo**

- ▶ Prepričajte se, da med prevozom ni prišlo do poškodb.
- ▶ Odstranite vso embalažo in jo hranite izven dosega otrok ter jo zavržite na okolju prijazen način.
- ▶ Pred namestitvijo aparata počakajte vsaj 0,5 ure, da zagotovite polno učinkovitost hladilnega krogotoka.
- ▶ Aparat naj prenašata vsaj dve osebi, ker je težka.

### **Namestitev**

- ▶ Aparat naj bo postavljen v dobro prezračevan prostor. Poskrbite, da bo nad aparatom in okoli njega vsaj 50 mm prostora.
- ▶ **OPOZORILO:** Poskrbite, da bodo prezračevalne odprtine na ohišju aparata ali na vgradnih elementih proste in neovirane.
- ▶ Aparata nikoli ne postavljajte na vlažno mesto ali mesto, kjer bi lahko po njem brizgala voda. Očistite in pobrišite vodne kapljice in madeže z mehko čisto krpo.
- ▶ Hladilnika za vino ne nameščajte na mestih, ki niso ustrezno izolirana ali ogrevana (npr. garaža itd.). Vaš hladilnik za vino ni bil zasnovan tako, da bi deloval pri sobni temperaturi pod 10 °C.
- ▶ Aparata ne postavljajte neposredno na sonce ali blizu virov toplote (npr. štedilnikov, grelcev).
- ▶ Aparat namestite na mestu, ki je primerno njegovi velikosti in namenu.
- ▶ Prepričajte se, da se podatki o električnem toku na ploščici s tehničnimi navedbami ujemajo z napajanjem. V nasprotnem primeru se obrnite na električarja.
- ▶ Aparat deluje z izmeničnim napajanjem 220–240 VAC/50 Hz. Nenormalno nihanje napetosti lahko povzroči, da se aparat ne zažene, poškoduje regulator temperature ali kompresor ali pa se med delovanjem pojavi nenavaden hrup. V tem primeru se namesti samodejni regulator.
- ▶ Ne uporabljajte adapterjev z več vtiči in podaljškov.

**OPOZORILO!**

- ▶ **OPOZORILO:** Prenosnih vtičnic ali prenosnega električnega napajanja ne postavljajte za aparat.
- ▶ **OPOZORILO:** Ko nameščate aparat, poskrbite, da električni kabel ne bo zataknjen ali poškodovan.
- ▶ Ne stopajte na napajalni kabel.
- ▶ Uporabite ločeno ozemljeno vtičnico za napajanje, ki je lahko dostopna. Aparat mora biti ustrezno ozemljen.
- ▶ **Samo za Združeno kraljestvo:** Napajalni kabel aparata je opremljen s 3-kabelskim (ozemljitvenim) vtičem, ki ustreza standardni 3-kabelski (ozemljeni) vtičnici. Nikoli ne odrežite in ne odstranjujte tretjega zatiča (ozemljitev). Po namestitvi aparata mora biti vtič dostopen.
- ▶ **OPOZORILO:** Ne poškodujte hladilne napeljave.

**Vsakodnevna uporaba**

- ▶ To napravo lahko uporabljajo otroci, starejši od 8 let, in osebe z zmanjšanimi fizičnimi, senzoričnimi ali umskimi zmožnostmi ali s pomanjkanjem izkušenj ter znanja, če so pod ustreznim nadzorom ali so prejeli navodila za varno uporabo naprave in razumejo s tem povezana tveganja.
- ▶ Otroci se z napravo ne smejo igrati.
- ▶ Otrokom, starim od 3 do 8 let, je dovoljeno polnjenje in praznjenje hladilnih aparatov, vendar jim ni dovoljeno njihovo čiščenje in nameščanje.
- ▶ Otroci, mlajši od 3 let, naj se zadržujejo stran od aparata, razen če so pod stalnim nadzorom.
- ▶ Otroci ne smejo čistiti aparata in na njem ne smejo izvajati vzdrževalnih del brez ustreznega nadzora.
- ▶ Aparat mora biti nameščen tako, da je vtič dostopen.
- ▶ Če v bližini aparata pušča plin iz premoga ali drug vnetljiv plin, izklopite ventil uhajajočega plina, odprite vrata in okna ter ne odklopite napajalnega kabla aparata.
- ▶ Ko je bilo napajanje izklopljeno, počakajte vsaj 7 minut, da ga znova priključite.
- ▶ Aparata ne dvigujte za ročaje vrat.
- ▶ Ključke hranite izven dosega otrok in ne v bližini aparata, da preprečite zaklepanje otrok v aparat.



## OPOZORILO!

- ▶ Upoštevajte, da je naprava nastavljena za delovanje v določenem območju temperature okolja med 10 in 38 °C. Aparat morebiti ne deluje kar se da učinkovito, če je dlje časa izpostavljen temperaturi, ki je višja ali nižja od navedene.
- ▶ Na aparat ne postavljajte nestabilnih predmetov (težkih predmetov, posod, napolnjenih z vodo), da se izognete poškodbam zaradi padca ali električnega udara zaradi stika z vodo.
- ▶ Odprite in zaprite vrata samo z ročaji. Razmik med vrati in omaro je zelo ozek. Ne segajte z rokami v ta mesta, da se izognete priprtju prstov. Vrata aparata odprite ali zaprite le, če v območju premikanja vrat ni otrok.
- ▶ Ne shranjujte ali uporabljajte vnetljivih, eksplozivnih ali jedkih snovi v aparatu ali njegovi bližini.
- ▶ V aparatu ne shranjujte eksplozivnih substanc, kot so na primer razpršilci pod tlakom z vnetljivim potisnim plinom.
- ▶ V aparatu ne shranjujte zdravil, bakterij ali kemičnih snovi. Ta aparat je gospodinjiski aparat, zato ni priporočljivo hraniti materialov, ki zahtevajo strogo določene temperature.
- ▶ Ne nastavite nepotrebno nizke temperature v predelku hladilnika za vino. Pri visokih nastavitvah lahko pride do temperatur pod ničlo. Pozor: Steklenice lahko počijo
- ▶ Med delovanjem se ne dotikajte notranjosti aparata, zlasti z mokrimi rokami, saj lahko vaše roke primrznejo na površino.
- ▶ Za pravilno hlajenje vina aparata ne napolnite preveč.
- ▶ V primeru prekinitve napajanja ali pred čiščenjem aparat izklopite. Pred ponovnim zagonom aparata počakajte vsaj 7 minut, saj lahko pogosto zaganjanje poškoduje kompresor.
- ▶ **OPOZORILO:** V notranjosti aparata ne uporabljajte električnih naprav, razen če so take vrste, ki jih priporoča proizvajalec. Da bi se izognili tveganju, mora servis zamenjati poškodovan napajalni kabel (glejte garancijski list).
- ▶ Če želite podaljšati življenjsko dobo aparata, ga ne izklaplajte.
- ▶ Aparata nikoli ne postavljajte vodoravno na tla. Ko aparat nagnete za več kot 45°, počakajte 24 ur, preden ga priključite.

**OPOZORILO!****Vzdrževanje/čiščenje**

- ▶ Poskrbite, da bodo otroci pod nadzorom, če bodo opravljali čiščenje in vzdrževanje.
- ▶ Pred vsakim rednim vzdrževanjem aparat odklopite iz električnega napajanja. Pred ponovnim zagonom aparata počakajte vsaj 7 minut, saj lahko pogosto zaganjanje poškoduje kompresor.
- ▶ Pri izklopu aparata primite vtič kabla, ne vlecite kabla.
- ▶ Aparata ne čistite s trdimi ščetkami, žičnimi krtačami, detergentom v prahu, bencinom, amil acetatom, acetonom in podobnimi organskimi raztopinami, kislimi ali alkalnimi raztopinami. Čistite ga s posebnim detergentom za hladilnik/zamrzovalnik, da se izognete poškodbam. Nato uporabite raztopino tople vode in sode bikarbone – približno eno žlico sode bikarbone na liter vode. Temeljito sperite z vodo in obrišite do suhega. Ne uporabljajte čistilnih praškov ali drugih abrazivnih čistil. Odstranljivih delov ne perite v pomivalnem stroju.
- ▶ **OPOZORILO:** Ne uporabljajte mehanskih sredstev za pospešitev odmrzovanja oziroma sredstev, ki jih ne priporoča proizvajalec.
- ▶ Če je napajalni kabel poškodovan, ga mora zamenjati proizvajalec, serviser ali podobno usposobljena oseba, da se prepreči morebitne nevarnosti.
- ▶ Aparata ne poskušajte popravljati, razstavljati ali spreminjati sami. V primeru popravila se obrnite na našo službo za stranke.
- ▶ Če so luči za osvetlitev poškodovane, jih sme zamenjati samo proizvajalec, njegov servisni zastopnik ali drug kvalificiran serviser, da preprečite morebitna tveganja.
- ▶ Vsaj enkrat letno odstranite prah na hrbtni strani enote, da se izognete nevarnosti požara in povečani porabi energije.

- ▶ Med čiščenjem aparata ne škropite ali spirajte.
- ▶ Aparata ne čistite s pršenjem vode ali paro.
- ▶ Hladnih steklenih vrat ne čistite z vročo vodo. Zaradi nenadne spremembe temperature se lahko steklo zlomi.
- ▶ Če aparata dlje časa ne uporabljate, ga pustite odprtega, da preprečite nastanek neprijetnih vonjav v notranjosti.

## Informacije o hladilnih plinih



### **OPOZORILO!**

Aparat vsebuje vnetljivo hladilno sredstvo IZOBUTAN (R600a). Prepričajte se, da hladilni tokokrog med transportom ali namestitvijo ni poškodovan. Puščanje hladilnega sredstva lahko povzroči poškodbe oči ali pa se sredstvo vname. Če je prišlo do poškodbe, aparatu ne približujte odprtih virov ognja, temeljito prezračite prostor, ne priključujte ali odklapljajte napajalnih kablov aparata ali katere koli druge naprave. Obvestite službo za pomoč strankam.

Če oči pridejo v stik s hladilnim sredstvom, jih takoj sperite pod tekočo vodo in pokličite očesnega specialista.

**OPOZORILO:** Hladilni sistem je pod visokim pritiskom. Ne spreminjajte ga. Ker se uporabljajo vnetljiva hladilna sredstva, namestite, upravljajte in servisirajte aparat strogo v skladu z navodili in se za odstranitev aparata obrnite na strokovnega zastopnika ali našo poprodajno službo.

**Predvidena uporaba**


Aparat je namenjen uporabi v gospodinjstvu in v podobne namene, kot npr.

- v čajnih kuhinjah v trgovinah, pisarnah in drugih delovnih okoljih,
  - na kmetijah in v hotelskih, motelskih sobah in drugih nastanitvah za goste,
  - v nastanitvah tipa B&B,
  - v gostinskih storitvah in podobnih primerih, vendar ne v maloprodaji.
- Za zagotovitev varnega shranjevanja vina upoštevajte ta navodila za uporabo.
- Podrobnosti o najprimernejšem predelu v notranjosti aparata, kjer se hranijo posebne vrste živil ob upoštevanju porazdelitve temperature, ki je lahko prisotna v različnih predelih aparata, so navedene v drugem delu priročnika.

Spreminjanje aparata je prepovedano. Nenamenska uporaba lahko povzroči nevarnosti in izgubo garancijskih zahtevkov.

## Odstranjevanje



Simbol  na izdelku ali njegovi embalaži pomeni, da izdelek ne sodi med gospodinjske odpadke. Oddajte ga na ustreznem zbiralnem mestu za recikliranje električne in elektronske opreme. Če izdelek pravilno zavržete, prispevate k preprečevanju morebitnih negativnih posledic za okolje in človekovo zdravje, ki jih lahko povzroči neprimerno odstranjevanje tega izdelka. Za natančnejše informacije o recikliranju tega izdelka se obrnite na svoj lokalni urad, podjetje za gospodinjske odpadke ali na trgovino, kjer ste aparat kupili.

Ker se uporabljajo vnetljivi izolacijski pihalni plini, se za odstranitev aparata obrnite na profesionalnega zastopnika ali našo poprodajno službo.

## OPOZORILO!

### Nevarnost telesne poškodbe zaradi zadužitve!

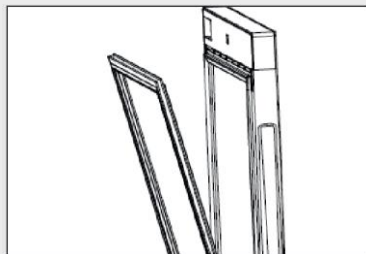
Hladila sredstva in pline je treba odstraniti profesionalno. Prepričajte se, da cevi hladilnega tokokroga niso poškodovane, preden jih ustrezno zavržete. Aparat pred čiščenjem odklopite z napajanja. Odsluženemu aparatu odrežite električni kabel in ga zavržite. Odstranite pladnje in predale ter zatič in tesnila vrat, da preprečite zapiranje otrok in hišnih ljubljencev v aparat.

- ▶ **OPOZORILO:** Aparat pred čiščenjem izključite iz napajanja.
- ▶ Aparata ne čistite s trdimi ščetkami, žičnimi krtačami, detergentom v prahu, bencinom, amil acetatom, acetonom in podobnimi organskimi raztopinami, kislimi ali alkalnimi raztopinami. Čistite ga s posebnim detergentom za hladilnik, da se izognete poškodbam.
- ▶ Aparat čistite, ko hranite le malo ali nič vina. Potrebno ga je očistiti le, ko je umazan.
- ▶ Očistite notranjost in ohišje aparata z gobo, navlaženo v topli vodi in nevtralnem detergentu
- ▶ Sperite s čisto toplo vodo in obrišite do suhega z mehko krpo.
- ▶ Nobenega dela aparata ne čistite v pomivalnem stroju.
- ▶ Pred ponovnim zagonom aparata počakajte vsaj 7 minut, saj lahko pogosto zaganjanje poškoduje kompresor.



### Očistite tesnilo vrat:

- ▶ Tesnila vrat je treba čistiti vsake 3 mesece, da se zagotovi pravilno tesnjenje. Kot je navedeno v nadaljevanju: Odstranjevanje: Primite tesnilo vrat in ga izvlecite v skladu s smerjo puščice, da ustrezno odstranite celotno tesnilo vrat. Ščetko namočite v vodo ali alkohol, primeren za živila, in najprej očistite utor tesnila vrat tako, da ščetko povlečete naprej in nazaj. Nato obrišite površino tesnila vrat z brisačo, namočeno v vodo ali alkohol, primeren za živila. Na koncu očistite tesnilo vrat in ga obrišite s čisto brisačo.



## **Namestitev tesnila vrat po čiščenju:**

Pred namestitvijo se prepričajte, da tesnilo vrat ni mokro. Vstavite tesnilo vrat v utor in tesnilo vrat ročno pritisnite od vrha do dna, da je v celoti vstavljeno v utor.

## **Čiščenje polic:**

- ▶ Vse police lahko odstranite za čiščenje.
- ▶ Odstranite vse steklenice.
- ▶ Nekoliko dvignite vsako polico in jo vzemite ven.
- ▶ Polico očistite z mehko brisačo.
- ▶ Počakajte, da se police posušijo, preden jih znova vstavite.

## **OPOZORILO:**

Počakajte vsaj 7 minut, da znova priključite napajanje, potem ko je bilo izklopljeno.

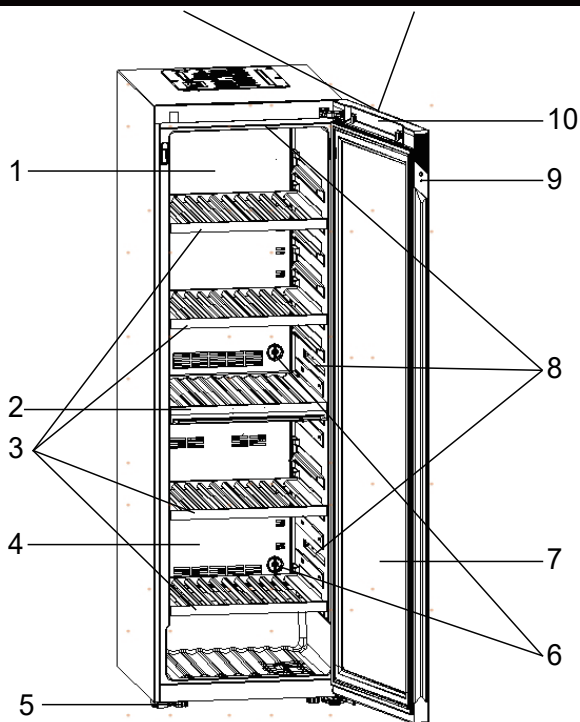
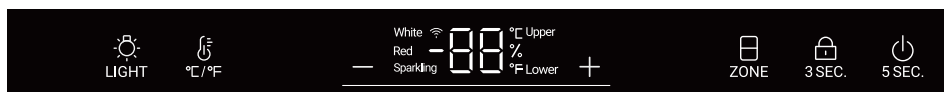
Preverite dodatke in literaturo v skladu s tem seznamom: brez izolacije.

Ime	Navodila za uporabo	Servisna kartica	Polica	Pokrov obročja	Energijska nalepka	Ključ
HWS247GGU1	1	1	5	1	1	2
HWS236GDGU1	1	1	4	1	1	2

## **i** Obvestilo

Zaradi tehničnih sprememb in različnih modelov se lahko nekatere ilustracije v tem priročniku razlikujejo od vašega modela.

### Slika aparata



(HWS236GDGU1)

- |                                            |                             |
|--------------------------------------------|-----------------------------|
| 1. Zgornja blažilna pregrada zračnega voda | 6. Filter z aktivnim ogljem |
| 2. razdelilnik (razen HWS247GGU1)          | 7. Vrata                    |
| 3. Polica                                  | 8. Lučka LED                |
| 4. Spodnja blažilna pregrada zračnega voda | 9. Zaklep                   |
| 5. Nastavljive nogice                      | 10. Prikazovalnik           |

## 1. Razpakiranje

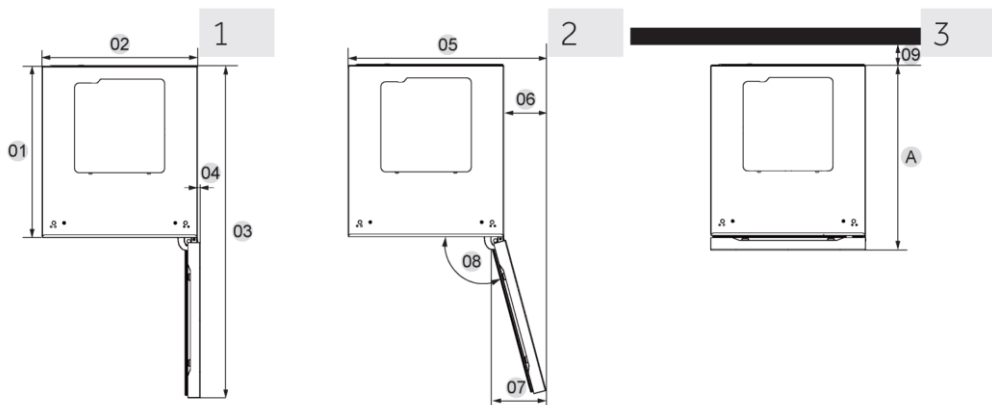
- ▶ Vzemite aparat iz embalaže.
- ▶ Odstranite vse embalažne materiale, vključno s podlago iz pene in lepilnim trakom, ki drži dodatke.

## 2. Okoljski pogoji

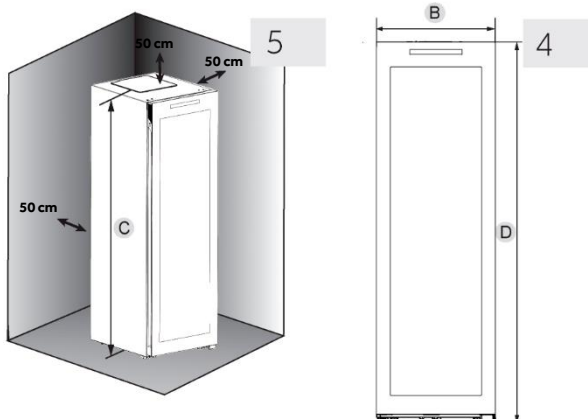
Sobna temperatura mora biti vedno med 10 in 38 °C, saj lahko vpliva na temperaturo v aparatu in njegovo porabo energije. Aparata ne nameščajte brez izolacije v bližini drugih naprav, ki oddajajo toploto (pečice, hladilniki).

## 3. Prostorske zahteve

Potreben prostor za odpiranje vrat (sl. 1, 2, 3, 4); iz varnostnih in energetskih razlogov je treba upoštevati zahtevano prezračevalno razdaljo 50 mm v vseh smereh (sl. 5).



Mera: mm	HWS247GGU1	HWS236GDGU1
<b>Globina A</b>	<b>714</b>	<b>714</b>
<b>Širina B</b>	<b>597</b>	<b>597</b>
<b>Višina C</b>	<b>1905</b>	<b>1905</b>
<b>Skupna višina D</b>	<b>1900</b>	<b>1900</b>
<b>01</b>	<b>654</b>	<b>654</b>
<b>02</b>	<b>595</b>	<b>595</b>
<b>03</b>	<b>1273</b>	<b>1273</b>
<b>04</b>	<b>11</b>	<b>11</b>
<b>05</b>	<b>756</b>	<b>756</b>
<b>06</b>	<b>161</b>	<b>161</b>
<b>07</b>	<b>200</b>	<b>200</b>
<b>08</b>	<b>105°</b>	<b>105°</b>
<b>09</b>	<b>50</b>	<b>50</b>





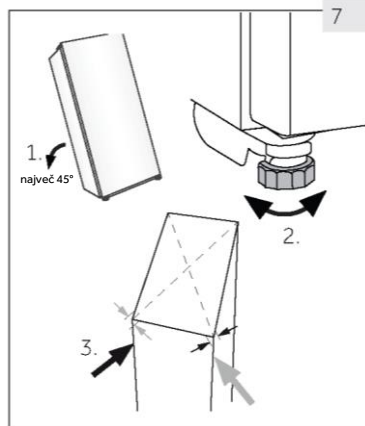
## OPOZORILO!

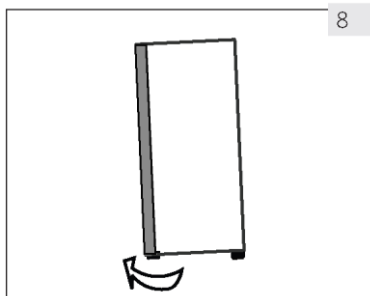
- Poskrbite, da bodo prezračevalne odprtine aparata ali vgradnih elementov proste in neovirane. Ta hladilnik ni namenjen uporabi kot vgradni hladilnik.

### 5. Poravnava aparata

Aparat naj bo postavljen na ravno in trdno površino.

1. Aparat nekoliko nagnite nazaj (sl. 7).
2. Nastavite nastavljive sprednje noge na zeleno višino tako, da jih obračate.
3. Stabilnost lahko preverite z izmeničnim pomikanjem po diagonalah. Rahlo zibanje mora biti enako v obeh smereh. V nasprotnem primeru se okvir lahko deformira; rezultat je morebitno puščanje tesnil vrat. Majhna nagnjenost nazaj olajša zapiranje vrat.





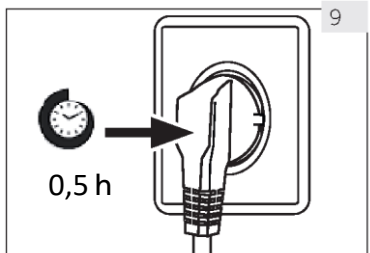
8

## 6. Natančna nastavitve vrat

Aparat se lažje zapre, če uporabljate izravnalne noge na sprednji strani:

Zavrtite nastavljive noge (sl. 8), da jih obrnete navzgor ali navzdol:

- ▶ Z obračanjem nog v smeri urnega kazalca boste dvignili aparat.
- ▶ Z obračanjem nog v nasprotni smeri urnega kazalca boste aparat spustili.



9

## 7. Čas čakanja

Mazalno olje, ki ga ni treba vzdrževati, je v kapsuli kompresorja. Če je aparat nagnjen, lahko to olje med transportom steče skozi zaprt cevni sistem. Preden aparat priključite na napajanje, počakajte 0,5 ure (sl. 9), da olje priteče nazaj v kapsulo.

## 8. Priključitev v električno omrežje

**Pred vsako priključitvijo preverite, ali:**

- ▶ so napajanje, vtičnica in varovalke skladni s tipsko tablico,
- ▶ je vtičnica ozemljena in da v bližini ni podaljška z več vtičnicami ali kableskega podaljška,
- ▶ sta vtič in vtičnica pravilno nameščena.

Vtič priključite v pravilno nameščeno gospodinjstvo vtičnico.



### OPOZORILO!

Da bi se izognili tveganju, mora servis zamenjati poškodovan napajalni kabel (glejte garancijski list).

## 9. Sprememba smeri odpiranja vrat

Pred priključitvijo naprave na napajanje preverite, ali je treba nihanje vrat zamenjati z desne (stanje ob dobavi) na levo, če je to potrebno zaradi mesta namestitve in uporabnosti

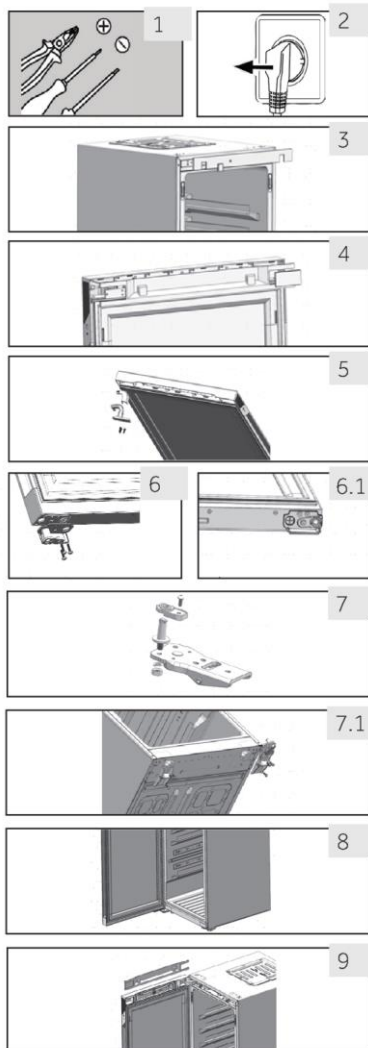


### OPOZORILO!

- ▶ Aparat je težak. Za spremembo smeri odpiranja vrat sta potrebni dve osebi.
- ▶ Pred kakršnim koli delom najprej izklopite napravo iz električnega omrežja.
- ▶ Naprave ne nagibajte za več kot 45 °, da preprečite poškodbe hladilnega sistema.

## Koraki sestavljanja

1. Zagotovite potrebno orodje.
2. Izklopite napravo.
3. Odstranite pokrov zgornjega nosilca in majhen pokrov, namestitev majhnega pokrova pri zamenjavi levo in desno.
4. Odstranite pokrov kablanskega pladnja in pokrov obloge, zamenjajte levo in desno namestitev okrasnega pokrova. Odstranite črni gumijasti čep iz leve ključavnice na notranji strani ohišja vrat in ga namestite na desno ključavnico.
5. Odstranite pokrov tečaja, z orodjem odstranite 3 vijake in odstranite ohišje portala.
6. Odstranite 3 vijake pod ohišjem portala z orodjem, odmikalo portala in zaustavljalo vrat, levo in desno zamenjavo namestite na drugi strani ohišja portala.
7. Z orodjem odstranite sklop tečaja škatle, najprej odstranite odmikalo tečaja v sklopu spodnjega tečaja, gred tečaja namestite v desno vijačno luknjo, sestavite. Zamenjava namestitve s podporo za kolesce, sestavite na desni strani škatle.
8. Ohišje portala je nameščeno navpično navzdol na gred tečaja.
9. Zgornji tečaj je vstavljen v odprtino gredi portala, škatlo pritrdite z vijaki, namestite žičnat pokrov omarice in pokrov obloge zgornjega nosilca.



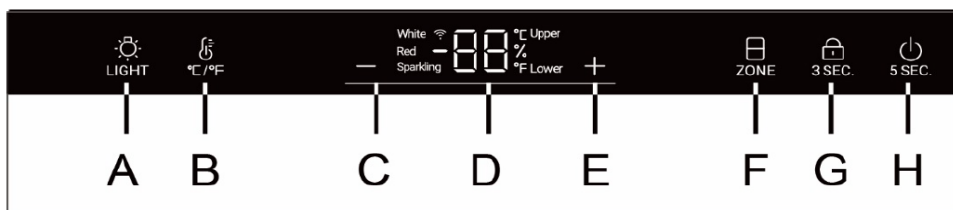
## 1. Pred prvo uporabo

- ▶ Odstranite vso embalažo. To vključuje penasto podlago in ves lepilni trak, ki drži dodatno opremo hladilnika za vino v notranjosti in zunaj. Hranite jih izven dosega otrok in jih odložite na okolju prijazen način.
- ▶ Očistite notranjost in zunanost aparata z vodo in blagim detergentom, preden vanj položite vino.
- ▶ Ko je aparat poravnan in očiščen, počakajte vsaj 2 uri, preden ga priključite na napajanje. Če je bil vaš hladilnik za vino iz kakršnega koli razloga nagnjen, počakajte 24 ur, preden ga priključite. Glejte poglavje NAMESTITEV.
- ▶ Ko enoto priključite v električno vtičnico, pustite enoto delovati vsaj 30 minut, da se prilagodi, preden opravite kakršne koli spremembe nastavitvev.
- ▶ Temperatura se samodejno nastavi na 12 °C. Če želite, lahko to temperaturo ročno spremenite. Glejte razdelek TEMPERATURA.

## 2. Tipke na dotik

Gumbi na nadzorni plošči so tipke na dotik, ki se odzovejo, ko se jih rahlo dotaknete s prstom.

## 3. Opis za nadzorno ploščo



- |                                           |                                           |
|-------------------------------------------|-------------------------------------------|
| A Gumb za notranjo osvetlitev             | E Gumb za nastavitev temperature: navzgor |
| B Gumb za pretvorbo °C /°F                | F Gumb za izbiro temperaturnega območja   |
| C Gumb za nastavitev temperature: navzdol | G Gumb za zaklepanje                      |
| D Prikazovalnik                           | H Gumb za vklop                           |

## 4. Funkcija samodejnega zaklepanja

V stanju zaklenjenega zaslona pritisnite in zadržite tipko za zaklepanje za 3 s, na zaslonu prikazovalnika je prikazano 3, 2 in 1, zaslon prikazovalnika se odklene in ikona za zaklepanje je polovično osvetljena; če ni nobene aktivnosti, se bo zaslon po 30 s samodejno zaklenil, v stanju zaklenjenega zaslona so vse ikone tipke za zaklepanje vklopljene in ne morete uporabljati tipk na zaslonu prikazovalnika (razen tipke za osvetlitev);

## 5. Funkcija gumba za vklop

Ko je zaslon izklopljen, se dotaknite katere koli tipke in zaslon bo zasvetil; pritisnite in zadržite tipko za vklop, na zaslonu prikazovalnika se prikaže 5, 4, 3, 2 in 1 in napajanje celotnega stroja se izklopi. Ko je napajanje izklopljeno, pritisnite in zadržite tipko za vklop, da se prikaže 5, 4, 3, 2, 1. Električna je vklopljena.

## 6. Nastavitev temperature



### Obvestilo

#### Prednastavitve

- ▶ Ko enoto priključite v električno vtičnico, pustite enoto vsaj 30 minut, da se prilagodi, preden opravite kakršne koli spremembe nastavitvev.
- ▶ Ko je naprava vklopljena po odklopu iz glavnega napajanja, lahko traja več ur, da se doseže pravilna temperatura. Točen čas se razlikuje glede na okolje in nastavitev temperature.



Pritisnite gumb **+** ali **-**, zaslon bo začel utripati. Pritisnite gumb **+** ali **-** za nastavitev želene temperature. Razpon nastavitvev temperature: 5–20 °C (41–68 °F). Prenehajte pritisniti tipko za 3 sekunde, temperatura je potrjena.

## 7. Način ali funkcija cone

Pritisnite gumb **MODE**, prekllop temperature od penečega (8 °C ali 47 °F) do belega (12 °C ali 54 °F) in rdečega (16 °C ali 61 °F) HWS247GGU1.

V odklenjenem stanju je ikona » « v celoti vklopljena, če je trenutni zaslon v zgornjem temperaturnem območju, je Upper ikona vklopljena in Lower ikona izklopljena. V tem trenutku pritisnite tipko » «, vklopila se bo Lower ikona, Upper ikona pa bo izklopljena. HWS236GDGU1

### Priporočene nastavitve temperature

Za različne vrste vina se priporočajo naslednje temperature pitja.

Rdeče vino	+13 °C do +20 °C (+ 55 °F do + 68 °F)	Peneče vino Prosecco	+5 °C do +8 °C (+41 °F do 47 °F)
Belo vino	+9 °C do +12 °C (+48 °F do +54 °F)		

Če vino hranite dlje časa, ga shranjujte pri temperaturi med +10 °C in +12 °C (50 °F in +54 °F).

## 8. Stanje pripravljenosti

Zaslon se samodejno zatemni po 30 sekundah.

Samodejno zasveti, ko se dotaknete katere koli tipke ali odprete vrata.



## Obvestilo

### Vplivi na temperature

Na temperaturo znotraj naprave vplivajo naslednji dejavniki:

- ▶ Temperatura prostora
- ▶ Količina shranjenih steklenic
- ▶ Pogostost odpiranja vrat
- ▶ Lokacija naprave


Privzeta nastavitev je 12 °C

Ko zaslon preneha utripati, se vrne na prikaz trenutne temperature v hladilniku za vino.

Potrebovali boste nekaj časa, da dosežete nastavljeno temperaturo.

## 9. Nastavitev načina osvetlitve

Pritisnite gumb  . Ko bodo luči v omarici prižgane, se bodo luči prižigale postopoma.

Ko znova pritisnete gumb  , se bodo luči postopoma ugašale.

## 10. Funkcija °C/°F

Pritisnite gumb  za preklop med stopinjami Fahrenheita in Celzija.

## 11. Funkcija pomnilnika ob izpadu energije

V primeru izpada električne energije bo hladilnik samodejno shranil nastavljeno temperaturo. Po obnovitvi napajanja bo deloval na podlagi temperature, nastavljene pred izpadom električne energije.

## 12. Funkcija kompenzacije nizke temperature

Hladilnik za vino ima funkcijo kompenzacije nizke temperature za zagotovitev stabilnosti temperature: Ko je temperatura okolice nižja od nastavljene temperature, hladilnik za vino samodejno zažene funkcijo kompenzacije nizke temperature, s čimer se naprava ogreva. Ko temperatura v napravi doseže nastavljeno vrednost, se funkcija kompenzacije nizke temperature samodejno izklopi.

## 13. Alarm odprtih vrat

Če so vrata odprta več kot 1 minuto, bo piskal zvočni signal, ki bo pomenil alarm; dokler se vrata ne zaprejo ali dokler ne bo mogoče pritisniti katere koli tipke na zaslonu, nato pa bo zvočni signal prenehal piskati.

## 14. Nastavitev načina Wi-Fi

### POVEZLJIVOST

### PARAMETRI BREZŽIČNE POVEZAVE

Tehnologija	Wi-Fi	Bluetooth
Standard	IEEE 802.11 b/g/n	Bluetooth v4.2, BR/EDR, BLE
Frekvenčni pas(ovi) [MHz]	2401÷2483	2402–2480
Največja moč [mW] pas(ovi) [MHz]	100	10

### INFORMACIJE O IZDELKU

Kako aktivirati modul Wi-Fi:

- Pritisnite gumb Light za 3 sekunde, da aktivirate Wi-Fi
- Če je modul Wi-Fi vklopljen, začne utripati ikona Wi-Fi
- Če je hladilnik za vino vpisan, vendar je Wi-Fi izklopljen, bo ikona utripala
- Če je hladilnik za vino vpisan in priključen, je ikona Wi-Fi vedno vklopljena
- Za ponastavitev Wi-Fi-ja pritisnite Light za 3 sekunde

### POSTOPEK SEZNANJANJA V APLIKACIJI

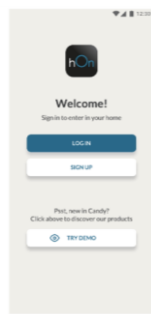
1. korak

- Prenesite aplikacijo hOn s spletnih trgovin z aplikacijami



2. korak

- Vpišite se oz. se registrirajte



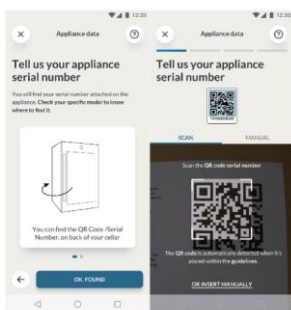
3. korak

- Dodajte novo napravo tako, da s seznama izberete hladilnik za vino.



## 4. korak

- Skenirajte kodo QR ali ročno vstavite serijsko številko



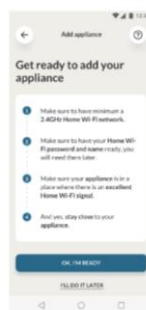
## 5. korak

- Pritisnite gumb Light na izdelku za 3 sekunde, da aktivirate Wi-Fi



## 6. korak

- Ikona Wi-Fi bo utripala, postopek seznanjanja je v teku
- Za dokončanje postopka seznanjanja boste imeli na voljo 5 minut
- Ko je postopek končan, bo ikona Wi-Fi prenehala utripati in bo ostala vedno vklopljena

**OPOMBA**



## **Namigi za varčevanje z električno energijo**

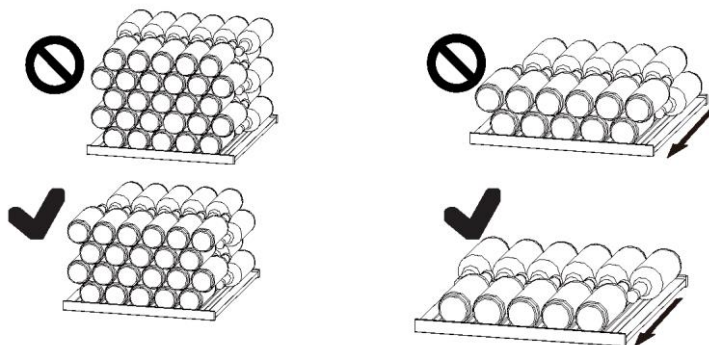
- ▶ Prepričajte se, da je aparat pravilno prezračen (glejte NAMESTITEV).
- ▶ Aparata ne postavljajte neposredno na sonce ali blizu virov toplote (npr. štedilnikov, grelcev).
- ▶ Izogibajte se nepotrebno nizki temperaturi v aparatu. Poraba energije se poveča, ko je v aparatu nastavljena nižja temperatura.
- ▶ Vrata aparata odprite čim manjkrat in za čim krajše obdobje.
- ▶ Ne prekoračite zasnovane količine steklenic, da se izognete oviranju pretoka zraka.
- ▶ Tesnila vrat naj bodo čista, da se bodo vrata vedno pravilno zaprla.
- ▶ Pri konfiguraciji, ki najbolj varčuje z energijo, morajo biti predali in police v aparatu nameščeni v tovarniškem stanju, hrano pa je treba položiti tako, da ne ovira odvoda zraka iz kanala.

### 1. Polica


1. Police so zasnovane za enostavno shranjevanje in enostavno odstranjevanje vina. Očistite jih lahko z mehko krpo.
2. Odlagate lahko običajne steklenice s premerom 76 mm.
3. Steklenice Magnum lahko odložite na dno.
4. Količina se lahko razlikuje od prikazanega števila ali steklenic, če so odložene na drugačen način.

#### Nasvet za postavitvev hladilnika za vino

Priporočamo, da število vinskih steklenic na vsaki polici ne presega štirih slojev, nosilnost polic za vino pa ne sme presegati 60 kg. Preden steklenice odložite v hladilnik za vino, preverite, ali so police za steklenice popolnoma stabilne ali ne. Poleg tega preverite, ali iz polic štrli katera steklenica, da preprečite, da bi ta ob zapiranju udarila v steklena vrata.



### 2. Luč

Notranja lučka LED se prižge, ko so odprta vrata. Če želite prižgati luč, ko so vrata zaprta, se dotaknite gumba . Če želite ugasniti luči, se znova dotaknite gumba. Da bi povečali energetske učinkovitost, je treba luči ugasniti, ko si ne ogledujete vsebine hladilnika za vino.

### 3. Ključavnica

Če želite zakleniti hladilnik za vino, zaprite vrata in vstavite ključ v ključavnico:

- ▶ zaklenite vrata z obračanjem ključa v smeri urnega kazalca;
- ▶ odklenite vrata tako, da ključ obrnete v nasprotni smeri urnega kazalca.

## 1. Odmrzovanje

Odmrzovanje hladilnika za vino se izvede samodejno; ročno upravljanje ni potrebno.

## 2. Menjava lučke LED

Luč kot vir svetlobe uporablja lučko LED, ki ima nizko porabo energije in dolgo življenjsko dobo. Če pride do kakršnih koli nepravilnosti, se obrnite na službo za pomoč strankam. Glejte SLUŽBA ZA POMOČ STRANKAM.



### OPOZORILO!

Lučke LED ne menjajte sami. Zamenjati jo sme le proizvajalec ali pooblaščen servisier.

### Parametri lučke LED:

Napetost 12 V

Največja moč: 18 W

## 3. Dolgotrajna neuporaba

Izklopite napajalni kabel.

Očistite aparat in tesnila vrat, kot je opisano zgoraj.

Vrata naj ostanejo odprta, da preprečite nastanek neprijetnega vonja.

## 4. Premikanje aparata

1. Odstranite vse steklenice in izključite aparat.

2. Police in druge premične dele v hladilniku za vino pritrdite z lepilnim trakom.

3. Hladilnika za vino ne nagibajte za več kot 45°, da ne poškodujete hladilnega sistema.

## 5. Izmenjava zraka s filtrom z aktivnim ogljem

Način, na katerega vina še naprej dozorevajo, je odvisen od okoliških pogojev. Kakovost zraka je zato odločilna za ohranjanje vina. V spodnjem delu zadnje stene aparata je nameščen filter z aktivnim ogljem, ki zagotavlja optimalno kakovost ostankov že odprtih vin.



### Obvestilo

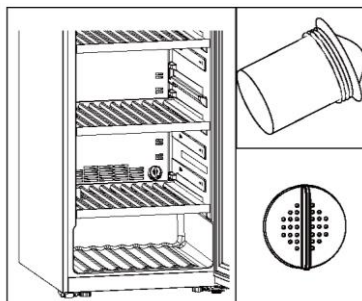
Priporočamo, da filter zamenjate enkrat na leto. Filter lahko dobite pri svojem prodajalcu.

### Zamenjava filtra:

Primito filter za ročaj. Obrnite ga v levo in odstranite.

### Vstavljanje filtra:

Vstavite z ročajem v navpičnem položaju. Obrnite ga v desno in vstavite.



Številne težave, do katerih prihaja, bi lahko rešili sami brez posebnega strokovnega znanja. V primeru težav preverite vse prikazane možnosti in sledite spodnjim navodilom, preden se obrnete na servisno službo. Glejte SLUŽBA ZA POMOČ STRANKAM.

### OPOZORILO!

- ▶ Pred vzdrževanjem izklopite aparat in odklopite vtič iz vtičnice.
- ▶ Električno opremo lahko servisirajo samo usposobljeni električarji, saj lahko nepravilna popravila povzročijo znatno posledično škodo.
- ▶ Če je napajalni kabel poškodovan, ga sme zamenjati samo proizvajalec, njegov servisni agent ali drug kvalificiran serviser, da preprečite morebitne nevarnosti.

Koda napake	Vzrok	Rešitev
L2	Alarm nizke temperature, kadar je temperatura kontrolnega senzorja prenizka;	<ol style="list-style-type: none"> <li>1. Preverite temperaturo okolice.</li> <li>2. Preverite priključek kompresorja.</li> <li>3. Preverite upor senzorja za uravnavanje temperature.</li> </ol>
H1	Ko je temperatura kontrolnega senzorja previsoka, se na zaslonu prikaže alarm za visoko temperaturo;	<ol style="list-style-type: none"> <li>1. Preverite priključek nadzorne plošče ali zaslonske plošče.</li> <li>2. Preverite upor in napetost ventilatorja.</li> <li>3. Preverite ventilator in priključek kompresorja.</li> </ol>

Težava	Možen vzrok	Možna rešitev
Kompresor ne deluje.	<ul style="list-style-type: none"> <li>• Omrežni vtič ni priključen v omrežno vtičnico.</li> </ul>	<ul style="list-style-type: none"> <li>• Priključite omrežni vtič.</li> </ul>
Aparat deluje prepogosto ali deluje predolgo.	<ul style="list-style-type: none"> <li>• Zunanja temperatura je previsoka.</li> <li>• Aparat že nekaj časa ni vklopljen.</li> <li>• Vrata aparata niso tesno zaprta.</li> <li>• Vrata so bila odprta prepogosto ali predolgo.</li> <li>• Tesnila vrat so umazana, obrabljena, razpokana ali neustrezna.</li> <li>• Zahtevano kroženje zraka ni zagotovljeno.</li> <li>• Temperatura je nastavljena prenizko.</li> </ul>	<ul style="list-style-type: none"> <li>• V tem primeru je običajno, da aparat deluje dlje.</li> <li>• Običajno traja nekaj časa, da se aparat popolnoma ohladi.</li> <li>• Zaprite vrata in se prepričajte, da je aparat nameščen na ravni podlagi in da na vratih ni ovirajoče hrane ali posode.</li> <li>• Vrat ne odpirajte prepogosto.</li> <li>• Očistite tesnilo vrat ali prosite službo za pomoč strankam, da vam ga zamenja.</li> <li>• Zagotovite ustrezno prezračevanje.</li> <li>• Težava se bo rešila sama, ko bo dosežena zelena temperatura.</li> </ul>
Notranjost hladilnika za vino je umazana in/ali ima neprijeten vonj.	<ul style="list-style-type: none"> <li>• Notranjost hladilnika za vino je potrebno očistiti.</li> </ul>	<ul style="list-style-type: none"> <li>• Očistite notranjost hladilnika za vino.</li> </ul>
Znotraj naprave ni dovolj hladno.	<ul style="list-style-type: none"> <li>• Temperatura je nastavljena previsoko.</li> <li>• Steklenice so bile pred kratkim dodane.</li> <li>• Vrata aparata niso tesno zaprta.</li> <li>• Vrata so bila odprta prepogosto ali predolgo.</li> <li>• Tesnila vrat so umazana, obrabljena, razpokana ali neustrezna.</li> </ul>	<ul style="list-style-type: none"> <li>• Ponastavite temperaturo.</li> <li>• Počakajte, da nedavno dodane steklenice dosežejo zeleno temperaturo.</li> <li>• Zaprite vrata.</li> <li>• Vrat ne odpirajte prepogosto.</li> <li>• Očistite tesnilo vrat ali prosite službo za pomoč strankam, da vam ga zamenja.</li> </ul>
Znotraj aparata je prehladno.	<ul style="list-style-type: none"> <li>• Temperatura je nastavljena prenizko.</li> </ul>	<ul style="list-style-type: none"> <li>• Ponastavite temperaturo.</li> </ul>
Nastajanje vlage na notranji strani hladilnega prostora.	<ul style="list-style-type: none"> <li>• Podnebje je pretoplo in prevlažno.</li> <li>• Vrata aparata niso tesno zaprta.</li> <li>• Vrata so bila odprta prepogosto ali predolgo.</li> </ul>	<ul style="list-style-type: none"> <li>• Povečajte temperaturo.</li> <li>• Zaprite vrata.</li> <li>• Vrat/predala ne odpirajte prepogosto.</li> </ul>

Težava	Možen vzrok	Možna rešitev
Na zunanji površini hladilnika za vino se nabira vlaga.	<ul style="list-style-type: none"> <li>Podnebje je pretoplo in prevlažno</li> <li>Vrata niso tesno zaprta. Hladen zrak v napravi in topel zunanji zrak kondenzirata.</li> </ul>	<ul style="list-style-type: none"> <li>To je normalno v vlažnem podnebju in se bo spremenilo, ko se vlažnost zmanjša.</li> <li>Prepričajte se, da so vrata tesno zaprta in da tesnila pravilno tesnijo.</li> </ul>
Naprava proizvaja nenormalne zvoke	<ul style="list-style-type: none"> <li>Naprava ni nameščena na ravno podlago.</li> <li>Naprava se dotika predmeta v njeni bližini.</li> </ul>	<ul style="list-style-type: none"> <li>Nastavite noge, da poravnate napravo.</li> <li>Odstranite predmete okoli naprave.</li> </ul>
Slišati je mogoče rahel zvok, podoben zvoku vode.	<ul style="list-style-type: none"> <li>To je običajno</li> </ul>	<ul style="list-style-type: none"> <li>-</li> </ul>
Notranja razsvetljava ali hladilni sistem ne deluje.	<ul style="list-style-type: none"> <li>Omrežni vtič ni priključen v omrežno vtičnico.</li> <li>Napajanje ne deluje pravilno.</li> <li>Lučka LED ne deluje.</li> </ul>	<ul style="list-style-type: none"> <li>Priključite omrežni vtič.</li> <li>Preverite električno napajanje v prostoru. Pokličite lokalno elektroenergetsko podjetje.</li> <li>Za zamenjavo pokličite servis</li> </ul>
Strani hladilnika in trak vrat se segrejejo	<ul style="list-style-type: none"> <li>To je običajno.</li> </ul>	<ul style="list-style-type: none"> <li>-</li> </ul>
Vrata se ne zapirajo dobro	<ul style="list-style-type: none"> <li>Aparat ni v vodoravnem položaju.</li> <li>Vrata so blokirana.</li> </ul>	<ul style="list-style-type: none"> <li>Poravnajte aparat z izravnalnimi nogami.</li> <li>Preverite zamašitve, npr. steklenice ali police.</li> </ul>

Če želite stopiti v stik s tehnično pomočjo, obiščite naše spletno mesto:

<https://corporate.haier-europe.com/en/>

V razdelku »spletno mesto« izberite blagovno znamko izdelka in državo. Preusmerjeni boste na določeno spletno mesto, kjer boste našli telefonsko številko in obrazec za stik s tehnično pomočjo.

List izdelka v skladu z Uredbo EU št. 2019/2016

Blagovna znamka	Haier	Haier
Ime/identifikator modela	HWS247GGU1	HWS236GDGU1
Kategorija	Hladilnik za vino	Hladilnik za vino
Razred energijske učinkovitosti	G	G
Letna poraba energije (kWh/leto) <sup>1)</sup>	184	184
Prostornina za shranjevanje (L)	450	448
Klimatski razred: Ta aparat je namenjen uporabi pri sobni temperaturi med 10 in 38 °C.	SN N ST	SN N ST
Emisije akustičnega hrupa v zraku (db(A) re 1pW)	C (37)	C (37)
Vrsta aparata	Prostostoječi	Prostostoječi
Ta aparat je namenjen izključno hrambi vina.	Da	Da
Mere (Š/D/V v mm)	597/714/1900	597/714/1900

Pojasnila:

1) na podlagi standardnih rezultatov preskusa za 24 ur. Dejanska poraba energije je odvisna od dejanskega okolja, količine steklenic, nastavljenе temperature, odpiranja in zapiranja vrat itd.

2) Nazivna poraba energije je vrednost, dobljena v skladu s standardnim testom, ko hladilnik za vino ne vklopi notranje luči.

- razširjeno zmerno: »ta hladilni aparat je namenjen uporabi pri sobni temperaturi od 10 do 32 °C«;
- zmerno: »ta hladilni aparat je namenjen uporabi pri sobni temperaturi od 16 do 32 °C«;
- subtropsko: »ta hladilni aparat je namenjen uporabi pri sobni temperaturi od 16 do 38 °C«;
- tropsko: »ta hladilni aparat je namenjen za uporabo pri sobni temperaturi od 16 °C do 43 °C«.

## Standardi in direktive

Ta izdelek izpolnjuje zahteve vseh veljavnih direktiv ES z ustreznimi usklajenimi standardi, ki določajo oznako CE.

Priporočamo našo službo za pomoč strankam Haier in uporabo originalnih nadomestnih delov. Če imate težave z aparatom, najprej preverite poglavje ODPRAVLJANJE TEŽAV. Če tam ne najdete rešitve, se obrnite na

- ▶ lokalnega prodajalca ali
- ▶ si oglejte razdelek Servis in podpora na spletnem mestu [www.haier.com](http://www.haier.com), kjer najdete telefonske številke in odgovore na pogosta vprašanja ter oddate zahtevek za servis.

Če se želite obrniti na naš servis, se prepričajte, da imate na voljo naslednje podatke.

Podatke najdete na tipski tablici.

Model \_\_\_\_\_ Serijska št. \_\_\_\_\_

V primeru uveljavljanja garancije preverite tudi garancijsko kartico, ki je priložena izdelku. Za splošne poslovne poizvedbe so v nadaljevanju navedeni naslovi naših podružnic v Evropi:

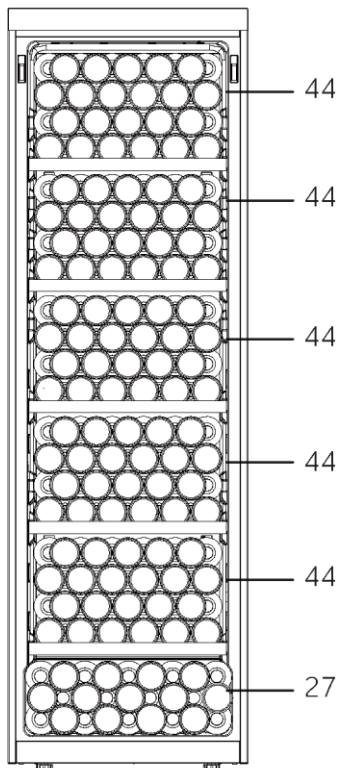
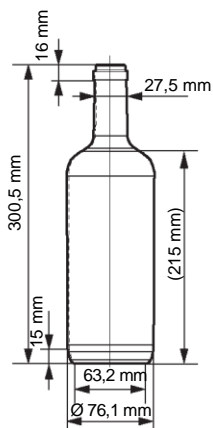
#### Evropski naslovi podružnic Haier

Država*	Poštni naslov	Država	Poštni naslov
<b>Italija</b>	Haier Europe Trading SRL Via De Cristoforis, 12 21100 Varese ITALIJA	<b>Francija</b>	Haier Europe Trading SRL Via De Cristoforis, 12 21100 Varese ITALIJA
<b>Španija</b> <b>Portugalska</b>	Haier Iberia SL Pg. Garcia Faria, 49-51 08019 Barcelona ŠPANIJA	<b>Belgija-FR</b> <b>Belgija-NL</b> <b>Nizozemska</b> <b>Luksemburg</b>	Haier Benelux SA Anderlecht Route de Lennik 451 BELGIJA
<b>Nemčija</b> <b>Avstrija</b>	Haier Deutschland GmbH Hewlett-Packard-Str. 4 D-61352 Bad Homburg NEMČIJA	<b>Poljska</b> <b>Češka</b> <b>Madžarska</b> <b>Grčija</b> <b>Romunija</b> <b>Rusija</b>	Haier Poland Sp. zo.o. Al. Jerozolimskie 181B 02-222 Varšava POLJSKA
<b>Združeno kraljestvo</b>	Haier Appliances UK Co. Ltd. One Crown Square Church Street East Woking, Surrey, GU21 6HR ZK		

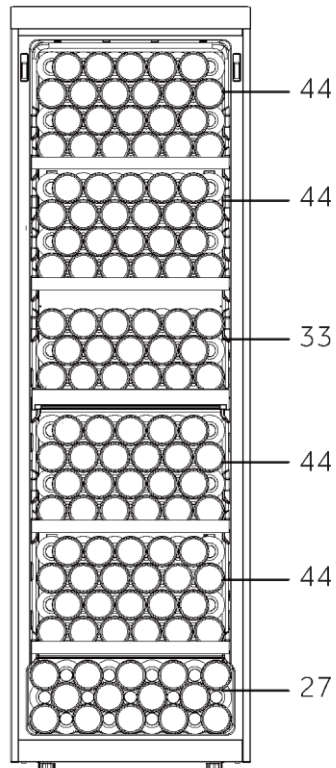
**RAZPOLOŽLJIVOST REZERVNIH DELOV:** Termostati, temperaturni senzorji, tiskane vezne plošče in svetlobni viri so na voljo najmanj sedem let po tem, ko je bila dana na trg zadnja enota modela. Vratne kljuge, tečaji vrat, pladnji in košare za najmanj sedem let in tesnila vrat za najmanj 10 let po tem, ko je bila dana na trg zadnja enota modela

**Minimalno garancijsko obdobje je:** 2 leti za države EU, 3 leta za Turčijo, 1 leto za Združeno kraljestvo, 1 leto za Rusijo, 3 leta za Švedsko, 2 leti za Srbijo, 5 let za Norveško, 1 leto za Maroko, 6 mesecev za Alžirijo, za Tunizijo pravna garancija ni potrebna.

**Za dodatne informacije o izdelku obiščite spletno mesto <https://eprel.ec.europa.eu/> ali skenirajte kodo QR na energijski nalepki, priloženi aparatu.**



**HWS247GGU1**



**HWS236DGU1**







Haier

# Uživatelská příručka

Vinný sklípek

HWS247GGU1

HWS236GDGU1

CS

**Haier**

## Děkujeme vám, že jste si koupili výrobek značky Haier.

Před použitím spotřebiče si pozorně přečtěte tyto pokyny. Obsahují důležité informace, které vám pomohou co nejlépe využít spotřebič a zajistit jeho bezpečnou a správnou instalaci, používání a údržbu.

Uschovejte tuto příručku na praktickém místě, abyste do ní mohli kdykoli nahlédnout ohledně bezpečného a správného používání spotřebiče.

Pokud spotřebič prodáváte, věnujte nebo nechávejte ve starém domě, předejte společně s ním také tuto příručku, aby se mohl nový vlastník seznámit se spotřebičem a přečíst si bezpečnostní varování.



### Legenda



### Varování – důležité bezpečnostní informace

Všeobecné informace a tipy



Informace týkající se životního prostředí



### Likvidace

Pomáhejte chránit životní prostředí a lidské zdraví. Vložte obalový materiál do vhodných kontejnerů pro recyklaci. Pomáhejte recyklovat odpadní elektrické a elektronické spotřebiče. Spotřebiče označené tímto symbolem nevyhazujte do domovního odpadu. Zašlete výrobek do místního recyklačního závodu, nebo se obraťte na váš obecní úřad.



## VAROVÁNÍ!

### Nebezpečí poranění nebo udušení!

Chladiva a plyny vyžadují profesionální likvidaci. Zajistěte, aby se potrubí chladicího okruhu nepoškodilo, než bude náležitě zlikvidováno. Odpojte spotřebič od síťového napájení. Odstříhnete síťový kabel a zlikvidujte ho. Odstraňte police a přihrádky, stejně jako západku a těsnění dveří, aby se zamezilo uzavření dětí a domácích zvířat uvnitř spotřebiče.

Staré spotřebiče mají stále určitou zbytkovou hodnotu. Způsob likvidace šetrný k životnímu prostředí zaručí, že bude možné znovu získat a využít cenné suroviny.

Jako nadouvadlo pro pěnovou izolaci se používá cyklopentan, což je hořlavá látka, která nepoškozuje ozónovou vrstvu.

Zajištěním správné likvidace tohoto výrobku pomůžete předcházet případným negativním důsledkům pro životní prostředí a lidské zdraví, k nimž by jinak mohlo docházet.

Podrobnější informace o profesionální recyklaci tohoto výrobku získáte na místním obecním úřadě, u společnosti zajišťující odvoz domovního odpadu nebo v prodejně, kde jste výrobek zakoupili.

1- Bezpečnostní informace.....	4
2- Tipy týkající se bezpečnosti.....	7
3- Údržba .....	11
4- Příslušenství .....	13
5- Popis výrobku.....	14
6- Instalace .....	15
7- Používání.....	19
8- Tipy pro úsporu energie .....	24
9- Vybavení.....	25
10- Čištění a údržba .....	26
11- Řešení problémů.....	27
12- Technické údaje.....	30
13- Zákaznický servis.....	31
14- Skládání láhví vína .....	32

**Tento spotřebič je určen výhradně k ukládání vína. Před prvním zapnutím spotřebiče si přečtěte následující rady týkající se bezpečnosti:**



## **VAROVÁNÍ!**

### **Před prvním použitím**

- ▶ Ujistěte se, že při přepravě nedošlo k žádnému poškození.
- ▶ Odstraňte veškerý obalový materiál, uschovejte ho mimo dosah dětí a zlikvidujte ho způsobem šetrným k životnímu prostředí.
- ▶ Před instalací spotřebiče počkejte alespoň půl hodiny, aby byla zaručena plná účinnost okruhu chladiva.
- ▶ Se spotřebičem vždy manipulujte alespoň ve dvou osobách, protože je těžký.

### **Instalace**

- ▶ Spotřebič by se měl umístit do dobře větrané místnosti. Nad spotřebičem a kolem něj zajistěte volný prostor alespoň 50 mm.
- ▶ **VAROVÁNÍ:** Zajistěte, aby ve skříni spotřebiče nebo v konstrukci pro vestavění nic nezakrývalo větrací otvory.
- ▶ Nikdy neumísťujte spotřebič do vlhkého prostoru nebo na místo, kde by na něj mohla stříkat voda. Vodu a skvrny odstraňte a vysušte měkkou, čistou látkou.
- ▶ Neinstalujte vinný sklípek na místě, které není řádně izolováno nebo vytápěno, např. v garáži apod. Váš vinný sklípek nebyl navržena pro provoz při okolní teplotě nižší než 10 °C.
- ▶ Neinstalujte spotřebič na přímé sluneční světlo nebo do blízkosti zdrojů tepla (např. sporáků nebo ohříváčů).
- ▶ Nainstalujte spotřebič na místo odpovídající jeho velikost a používání a vyrovnejte ho.
- ▶ Ujistěte se, že parametry elektrického napájení se shodují s údaji na typovém štítku. V opačném případě kontaktujte elektrikáře.
- ▶ Spotřebič pracuje s napájením 220–240 VAC/50 Hz. Nenormální kolísání napětí může způsobit, že spotřebič se nespustí, nebo se poškodí regulátor teploty či kompresor, případně se může za chodu ozývat neobvyklý hluk. V takovém případě by se měl nainstalovat automatický regulátor.
- ▶ Nepoužívejte rozbočovací adaptéry ani prodlužovací kabely.
- ▶ **VAROVÁNÍ:** Neumisťujte za spotřebič přenosné rozbočovací zásuvky ani prodlužovací kabely.



## VAROVÁNÍ!

- ▶ **VAROVÁNÍ:** Při umisťování spotřebiče se ujistěte, že napájecí kabel není zachycený nebo poškozený.
- ▶ Nešlapejte na napájecí kabel.
- ▶ K napájení použijte samostatnou, snadno přístupnou uzemněnou zásuvku. Tento spotřebič musí být uzemněný.
- ▶ **Pouze pro Spojené království:** Napájecí kabel spotřebiče je vybaven trojpólovou zástrčkou (s uzemněním), která se zapojuje do standardní trojpólové zásuvky (s uzemněním). Nikdy neodřezávejte ani nedemontujte třetí kolík (uzemnění). Zástrčka by měla být přístupná po instalaci spotřebiče.
- ▶ **VAROVÁNÍ:** Nepoškodte okruh chladiwa.

## Denní používání

- ▶ Tento spotřebič mohou používat děti starší osmi let a osoby s omezenými fyzickými, smyslovými nebo duševními schopnostmi nebo osoby nezkušené a neznalé za předpokladu, že mají zajištěný dohled nebo byly poučeny o bezpečném používání spotřebiče a chápou související rizika.
- ▶ Děti si se spotřebičem nesmějí hrát.
- ▶ Děti ve věku od 3 do 8 let mohou chladničky plnit a vyprazdňovat, ale nesmějí je čistit ani instalovat.
- ▶ Zabraňte dětem mladším 3 let v přístupu ke spotřebiči, pokud nejsou pod nepřetržitým dozorem.
- ▶ Děti nesmějí provádět čištění a uživatelskou údržbu bez dozoru.
- ▶ Spotřebič musí být umístěn tak, aby byla zástrčka přístupná.
- ▶ Jestliže v blízkosti spotřebiče uniká svítiplyn nebo jiný hořlavý plyn, vypněte ventil unikajícího plynu, otevřete dveře a okna a neodpojujte napájecí kabel spotřebiče od zásuvky.
- ▶ Po odpojení napájení počkejte nejméně 7 minut, než opět připojíte napájení.
- ▶ Nezdvihejte spotřebič za madla jeho dvířek.
- ▶ Klíče musí být uloženy mimo dosah dětí a dále od spotřebiče, aby se předešlo uzamčení dětí uvnitř spotřebiče.
- ▶ Upozorňujeme, že spotřebič je nastaven na provoz při určitém rozsahu teplot mezi 10 a 38 °C. Spotřebič nemusí řádně fungovat, pokud je po dlouhou dobu vystaven teplotám nad nebo pod



## VAROVÁNÍ!

indikovaným rozsahem.

- ▶ Nepokládejte na horní stranu spotřebiče nestabilní předměty (těžké předměty, nádoby naplněné vodou), aby se předešlo zranění způsobenému pádem nebo elektrickým proudem v důsledku styku s vodou.
- ▶ Otvírejte a zavírejte dvířka pouze pomocí madel. Mezera mezi dvířky a skříní je velmi úzká. Nevkládejte do těchto míst ruce, abyste si nepřiskřípli prsty. Dvířka spotřebiče otvírejte nebo zavírejte pouze v případě, že v dosahu jejich pohybu nestojí žádné děti.
- ▶ Ve spotřebiči nebo v jeho blízkosti neskladujte ani nepoužívejte hořlavé, výbušné nebo korozivní látky.
- ▶ V tomto spotřebiči neskladujte výbušné látky, jako jsou nádoby s aerosolem, v nichž se používá hořlavý hnací plyn.
- ▶ Ve spotřebiči neskladujte léky, bakterie ani chemické látky. Tento spotřebič je určen k použití v domácnosti, nedoporučuje se v něm skladovat materiály, které vyžadují přesně stanovené teploty.
- ▶ Nenastavujte zbytečně nízkou teplotu ve vnitřním prostoru pro víno. Při vysokém nastavení může teplota klesnout do záporných hodnot. Pozor: Láhve mohou prasknout
- ▶ Za provozu se nedotýkejte vnitřního povrchu prostoru spotřebiče, zejména ne mokřýma rukama, protože by mohly přimrznout k povrchu.
- ▶ Správné chlazení vína vyžaduje, aby se spotřebič nepřepřehřoval.
- ▶ V případě výpadku napájení nebo před čištěním odpojte spotřebič od napájení. Před opětovným spuštěním spotřebiče počkejte alespoň 7 minut, protože časté spuštění by mohlo poškodit kompresor.
- ▶ **VAROVÁNÍ:** jedná se o typ doporučený výrobcem. Aby se zamezilo rizikům, výměnu poškozeného napájecího kabelu musí provést zákaznický servis (viz záruční list).
- ▶ Nevypínejte spotřebič, abyste prodloužili jeho provozní životnost.
- ▶ Nikdy nepokládejte spotřebič vodorovně na zem. Po naklonění spotřebiče v úhlu větším než 45° počkejte 24 hodin, než ho připojíte k napájení.

**VAROVÁNÍ!****Údržba/čištění**

- ▶ Jestliže jsou čištění a údržba prováděny dětmi, je nutné na ně dohlížet.
- ▶ Před zahájením jakékoli pravidelné údržby odpojte spotřebič od elektrického napájení. Před opětovným spuštěním spotřebiče počkejte alespoň 7 minut, protože časté spouštění by mohlo poškodit kompresor.
- ▶ Při odpojování spotřebiče od napájení držte zástrčku, nikoli kabel.
- ▶ Nečistěte spotřebič tvrdými kartáči, drátěnými kartáči, práškovým mycím prostředkem, benzínem, amylacetátem, acetonem, podobnými organickými roztoky a kyselými nebo zásaditými roztoky. K čištění použijte speciální čisticí prostředek na chladničky/mrazničky, aby se zamezilo poškození. Nakonec použijte roztok jedlé sody v teplé vodě – asi jednu polévkovou lžici jedlé sody na litr vody. Důkladně opláchněte povrch vodou a otřete ho do sucha. Nepoužívejte práškové ani jiné abrazivní čisticí prostředky. Nemyjte odnímatelné součásti v myčce.
- ▶ **VAROVÁNÍ:** K urychlení rozmrazování nepoužívejte mechanická zařízení ani jiné prostředky kromě těch, které doporučil výrobce.
- ▶ Pokud se poškodí napájecí kabel, výměnu musí provést výrobce, jeho servisní zástupce nebo osoba s podobnou kvalifikací, aby se vyloučilo riziko.
- ▶ Nepokoušejte se opravovat, rozebírat nebo upravovat spotřebič vlastními silami. Je-li nutná oprava, obraťte se na náš zákaznický servis.
- ▶ Pokud se poškodí osvětlovací žárovky, výměnu musí provést výrobce, jeho servisní zástupce nebo osoby s podobnou kvalifikací, aby se vyloučilo riziko.
- ▶ Alespoň jednou za rok odstraňte prach ze zadní strany spotřebiče, aby se předešlo nebezpečí požáru a snížila se spotřeba energie.

- ▶ Během čištění na spotřebič nestříkejte ani nelijte vodu.
- ▶ K čištění spotřebiče nepoužívejte vodní postřík ani proud vody.
- ▶ Nečistěte chladná skleněná dvířka horkou vodou. Náhlá změna teploty by mohla způsobit, že sklo praskne.
- ▶ Pokud spotřebič delší dobu nepoužíváte, nechte ho otevřený, aby uvnitř nevznikl nepříjemný zápach.

## Informace o plynném chladivu



### **VAROVÁNÍ!**

Spotřebič obsahuje hořlavé chladivo ISOBUTAN (R600a).

Ujistěte se, že během přepravy nebo instalace nedošlo k poškození okruhu chladiva. Unikající chladivo by mohlo způsobit zranění očí, nebo by se mohlo vznítit. Pokud dojde k poškození, nepřibližujte se s otevřeným plamenem, důkladně vyvětrejte místnost a nezapojujte ani neodpojujte napájecí kabely tohoto či jiných spotřebičů. Informujte zákaznický servis.

V případě zasažení očí chladivem důkladně vypláchněte oči pod tekoucí vodou a ihned zavolejte očnímu lékaři.

**VAROVÁNÍ:** Systém chlazení je pod vysokým tlakem. Nemanipulujte s ním. Vzhledem k používání hořlavých chladiv je nutné přísně dodržovat pokyny pro instalaci, manipulaci a údržbu spotřebiče a pokud chcete spotřebič zlikvidovat, obraťte se na odborníka nebo náš prodejný servis.

**Určené použití**


Tento spotřebič je určen k používání v domácnostech a podobných oblastech, jako jsou:

- kuchyňky pro personál v obchodech, kancelářích a na dalších pracovištích;
  - chalupy a hotely, motely a další obytné objekty, kde je používají zákazníci;
  - ubytovací zařízení typu penzionu se snídaní;
  - cateringové služby a podobné aplikace, ve kterých se nejedná o maloobchodní prodej.
- Dodržujte tento návod k použití, zajistíte tím bezpečné uchovávání vína.
- Podrobné informace o nejvhodnějších částech prostoru spotřebiče pro uchovávání určitých typů potravin s ohledem na rozložení teplot, které se mohou vyskytovat v různých prostorech spotřebiče, jsou uvedeny v jiné části příručky.

Na spotřebiči neprovádějte žádné změny nebo úpravy. Používání k jinému než určenému účelu může představovat nebezpečí a vést ke ztrátě platnosti záruky.

## Likvidace



Symbol  na výrobku nebo jeho obalu znamená, že s tímto výrobkem nelze nakládat jako s domovním odpadem. Místo toho musí být dopraven do příslušného sběrného místa pro recyklaci elektrických a elektronických zařízení. Zajištěním správné likvidace tohoto výrobku pomůžete předcházet případným negativním důsledkům pro životní prostředí a lidské zdraví, k nimž by jinak mohlo docházet při nesprávné manipulaci s tímto výrobkem. Podrobnější informace o recyklaci tohoto výrobku získáte na místním obecním úřadě, u společnosti zajišťující odvoz domovního odpadu nebo v prodejně, kde jste výrobek zakoupili.

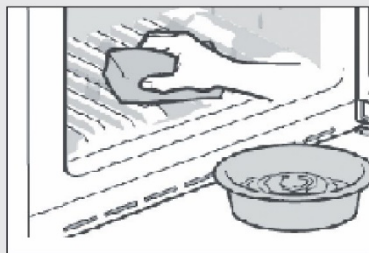
Vzhledem k použití hořlavých nadouvadel pro izolaci svěřte likvidaci spotřebiče odborníkům nebo našemu poprodejnímu servisu.

## VAROVÁNÍ!

### Nebezpečí udušení!

Chladiva a plyny vyžadují profesionální likvidaci. Zajistěte, aby se potrubí chladicího okruhu nepoškodilo, než bude náležitě zlikvidováno. Odpojte spotřebič od síťového napájení. Odstříhnete síťový kabel a zlikvidujte ho. Odstraňte police a přihrádky, stejně jako západku a těsnění dvířek, aby se zamezilo uzavření dětí a domácích zvířat uvnitř spotřebiče.

- ▶ **VAROVÁNÍ:** Před čištěním odpojte spotřebič od napájení.
- ▶ Nečistěte spotřebič tvrdými kartáči, drátěnými kartáči, práškovým mycím prostředkem, benzínem, amylacetátem, acetonem, podobnými organickými roztoky a kyselými nebo zásaditými roztoky. K čištění použijte speciální čisticí prostředek na chladničky, aby se zamezilo poškození.
- ▶ Spotřebič čistěte, když je v něm uloženo jen málo vína nebo žádné víno. Je nutné jej čistit pouze tehdy, když je znečištěný.
- ▶ Očistěte vnitřek a skříň spotřebiče houbou navlhčenou v teplé vodě s neutrálním čisticím prostředkem
- ▶ Opláchněte ho čistou teplou vodou a vysušte ho měkkou látkou.
- ▶ Nemyjte žádné součásti spotřebiče v myčce.
- ▶ Před opětovným spuštěním spotřebiče počkejte alespoň 7 minut, protože časté spouštění by mohlo poškodit kompresor.



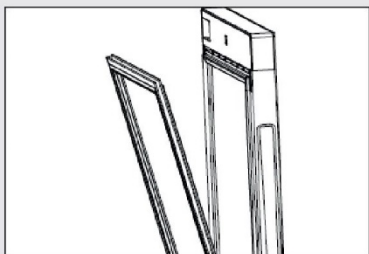
### Čištění těsnění dvířek:

- ▶ Těsnění dvířek by se mělo čistit každé 3 měsíce, aby bylo zaručeno správné přilnutí.

Jak je znázorněno níže: Odstranění:

Uchopte těsnění dvířek a vytáhněte ho ve směru šipky, aby se vcelku oddělilo od dvířek.

Namočte kartáč do vody nebo alkoholu vhodného pro potravinářství a nejprve vykartáčujte drážku těsnění dvířek. Potom otřete povrch těsnění dvířek utěrkou namočenou ve vodě nebo potravinářském lihu. Nakonec omyjte těsnění dvířek čistou vodou a vysušte ho čistou utěrkou.



**Instalace těsnění dvířek po vyčištění:**

Před instalací se ujistěte, že na těsnění dvířek není žádná voda. Vložte těsnění dvířek do drážky a pevně ho zatlačte rukou odshora dolů tak, aby bylo celé uvnitř drážky.

**Čištění polic:**

- ▶ Všechny police lze vyjmout za účelem čištění.
- ▶ Vyndejte všechny láhve.
- ▶ Každou polici nadzdvihněte a vytáhněte ven.
- ▶ Vyčistěte polici měkkou utěrkou.
- ▶ Počkejte, až police uschnou, než je vložíte zpět do spotřebiče.

Počkejte, až police uschnou, než je vložíte zpět do spotřebiče.

**VAROVÁNÍ:**

Po odpojení napájení počkejte nejméně 7 minut, než opět připojíte napájení.

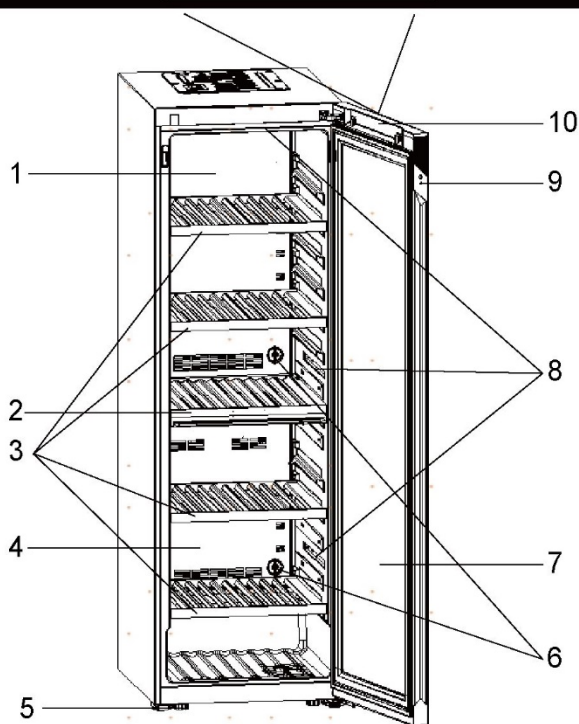
Zkontrolujte příslušenství a literaturu podle tohoto seznamu: bez izolace.

Název	Uživatelská příručka	Servisní karta	Police	Kryt závěsu	Energetický štítek	Klíč
HWS247GGU1	1	1	5	1	1	2
HWS236GDGU1	1	1	4	1	1	2

## **i** Upozornění

Vzhledem k technickým změnám a různým modelům nemusí některé obrázky v této příručce přesně zobrazovat váš model.

### Obrázek spotřebiče



(HWS236GDGU1)

- |                                |                           |
|--------------------------------|---------------------------|
| 1. Horní přepážka vzduchovodu  | 6. Filtr s aktivním uhlím |
| 2. (kromě HWS247GGU1)          | 7. Dveře                  |
| 3. Police                      | 8. Žárovka LED            |
| 4. Spodní přepážka vzduchovodu | 9. Zamknout               |
| 5. Nastavitelné nohy           | 10. Displej               |

## 1. Vybalení

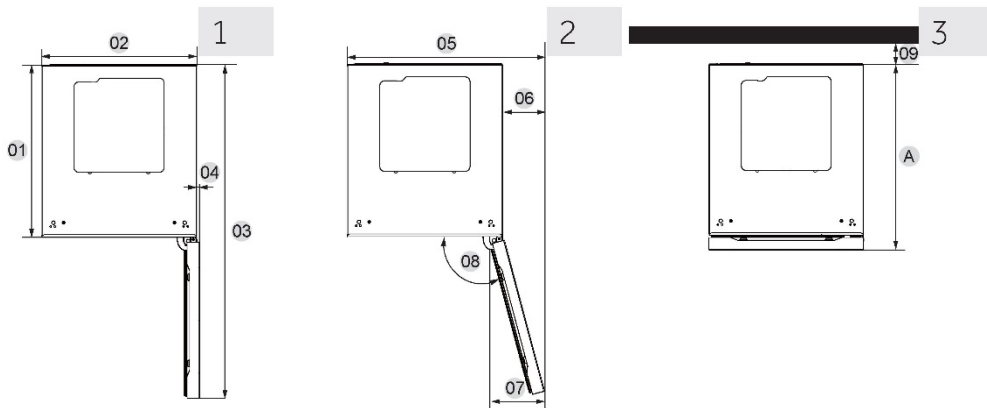
- Vyjměte spotřebič z obalu.
- Odstraňte veškerý obalový materiál včetně pěnové základny a všech lepicích pásek, které přidržíjí příslušenství.

## 2. Podmínky prostředí

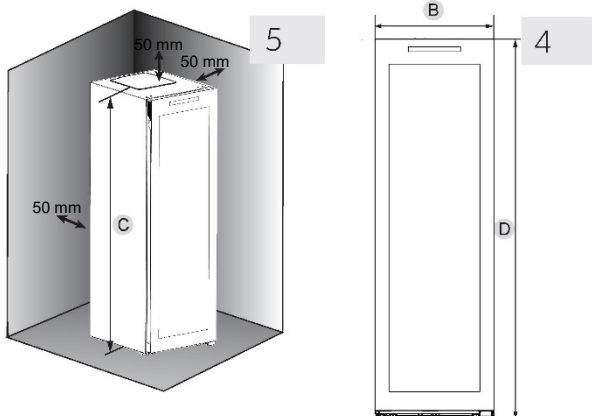
Pokojová teplota by měla být vždy mezi 10 °C a 38 °C, protože může ovlivňovat teplotu uvnitř spotřebiče a jeho spotřebu energie. Bez náležité izolace neinstalujte spotřebič do blízkosti jiných spotřebičů vytvářejících teplo (trub, chladniček).

## 3. Požadavky na místo

Potřebný prostor pro otevření dveří (obr. 1,2,3,4); Z bezpečnostních a energetických důvodů je nutné dodržet požadovanou větrací vzdálenost 50 mm ve všech směrech (obr. 5).



Měrná jednotka: mm	HWS247GGU1	HWS236GDGU1
Hloubka A	714	714
Šířka B	597	597
Výška C	1905	1905
Celková výška D	1900	1900
01	654	654
02	595	595
03	1273	1273
04	11	11
05	756	756
06	161	161
07	200	200
08	105°	105°
09	50	50





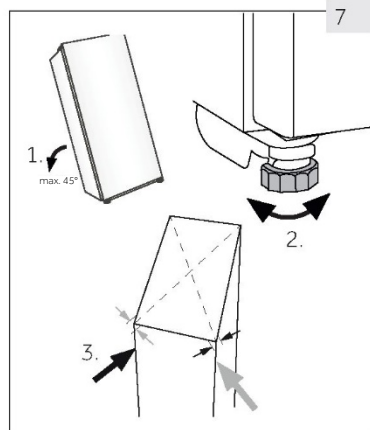
## VAROVÁNÍ!

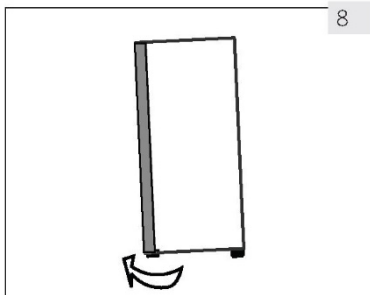
- Zajistěte, aby nic nezakrývalo větrací otvory ve spotřebiči nebo v konstrukci pro vestavění. Tento chladicí spotřebič není určen k používání jako vestavný spotřebič

### 5. Vyrovnání spotřebiče

Spotřebič by se měl postavit na rovný a pevný povrch.

1. Mírně nakloňte spotřebič dozadu (obr. 7).
2. Otáčením nastavte nastavitelné přední nohy na požadovanou výšku.
3. Stabilitu lze zkontrolovat střídavým kýváním po úhlopříčkách. Mírné kymáčení v obou směrech by mělo být stejné. Jinak by se mohl rám zdeformovat, což by mohlo mít za následek, že těsnění dvířek nebude přiléhat. Mírný náklon dozadu usnadňuje zavírání dvířek.





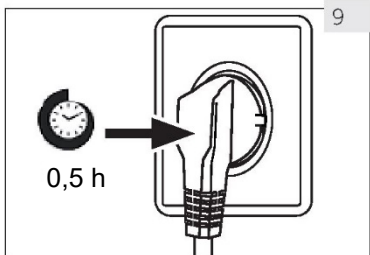
8

### 6. Jemné nastavení dvířek

Pokud se použijí vyrovnávací nohy na přední straně, spotřebič se bude snáze zavírat:

Otáčením nastavitelných noh (obr. 8) zvyšujte nebo snižujte výšku:

- ▶ Otáčením noh doprava se zvyšuje výška spotřebiče.
- ▶ Otáčením noh doleva se snižuje výška spotřebiče.



9

### 7. Doba čekání

V kapsli kompresoru se nachází bezúdržbový mazací olej. Pokud se spotřebič během přepravy nakloní, olej se může dostat do uzavřeného potrubního systému. Před připojením spotřebiče k napájení počkejte půl hodiny (obr. 9), aby všechen olej natekl zpět do kapsle.

### 8. Připojení k elektrickému napájení

**Před každým připojením zkontrolujte:**

- ▶ zda napájení, zásuvka a jištění odpovídají údajům na typovém štítku.
- ▶ zda je síťová zásuvka uzemněná a nepoužívá se rozbočovací adaptér ani prodlužovací kabel.
- ▶ zda zástrčka správně zapadne do zásuvky.

Zapojte zástrčku do náležitě nainstalované domácí zásuvky.



### VAROVÁNÍ!

Aby se zamezilo rizikům, výměnu poškozeného napájecího kabelu musí provést zákaznický servis (viz záruční list).

### 9. Změna směru otáčení dveří

Před připojením spotřebiče k napájení byste měli zkontrolovat, zda není nutné změnit směr otáčení dveří zprava (po dodání) doleva, jestliže to vyžaduje místo instalace a použitelnost.

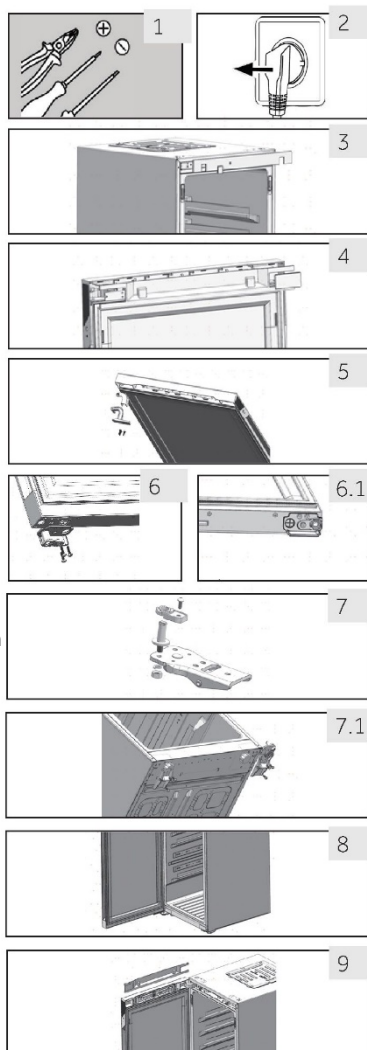


### VAROVÁNÍ!

- ▶ Spotřebič je těžký. Ke změně směru otáčení dveří jsou zapotřebí dvě osoby.
- ▶ Před jakýmkoli úkonem nejprve odpojte spotřebič od sítě.
- ▶ Nenaklánějte spotřebič v úhlu větším než 45°, aby se předešlo poškození chladicího systému.

## Kroky montáže

1. Připravte si potřebné nástroje.
2. Odpojte spotřebič od napájení.
3. Sejměte kryt horního nosníku a malý kryt. Levá a pravá transpoziční instalace malého krytu.
4. Odstraňte kryt kabelového žlabu a kryt obložení, levá a pravá transpozice instalace ozdobného krytu. Vyměňte černou gumovou zátku z levé dírky na vnitřní straně těla dveří a nainstalujte ji na pravou díрку.
5. Odstraňte kryt závěsu, pomocí nástroje odstraňte 3 šrouby a vyjměte tělo portálu.
6. Pomocí nástroje odstraňte 3 šrouby pod tělem portálu, vačku těla portálu a zarážku dveří, levá a pravá transpozice je instalována na druhé straně těla portálu.
7. Vyměňte sestavu závěsu skříně pomocí nástroje, nejprve vyjměte vačku závěsu v sestavě spodního závěsu, vyměňte hřídel závěsu do pravého otvoru pro šroub, sestavte. Transpoziční instalace se sestavou podpěrných koleček na pravé straně skříně.
8. Tělo portálu se instaluje svisle dolů na hřídel závěsu.
9. Horní závěs se vloží do otvoru pro hřídel těla portálu, skříň se upevní šrouby, namontuje se drátěný kryt horní lišty nosníku.



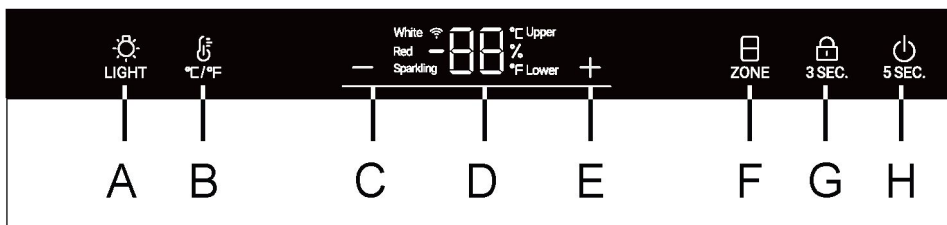
## 1. Před prvním použitím

- ▶ Odstraňte všechny obalové materiály. Patří mezi ně pěnová základna a všechny lepicí pásy, které drží příslušenství uvnitř a na vnější straně vinného sklípku. Uschovejte je mimo dosah dětí a zlikvidujte ho způsobem šetrným k životnímu prostředí.
- ▶ Než do spotřebiče vložíte nějaké víno, vyčistěte jeho vnitřní i vnější povrchy vodou a slabým saponátem.
- ▶ Po vyrovnání a vyčištění počkejte alespoň 2 hodiny, než spotřebič připojíte k napájení. Pokud je nutné z jakéhokoli důvodu naklonit vinný sklípek, počkejte 24 hodin, než ho připojíte k napájení. Viz část INSTALACE.
- ▶ Jakmile připojíte spotřebič k elektrické zásuvce, nechte ho běžet alespoň 30 minut, aby se aklimatizoval, než začnete cokoli nastavovat.
- ▶ Teplota se automaticky nastaví na 12 °C. V případě potřeby můžete tyto teploty změnit ručně. Viz TEPLOTA.

## 2. Dotyková tlačítka

Na ovládacím panelu jsou dotyková tlačítka, která reagují na lehký dotyk prstem.

## 3. Popis ovládacího panelu



A Tlačítko osvětlení interiéru

B Tlačítko přepínání °C / °F

C Tlačítko nastavování teploty: dolů

D Displej

E Tlačítko nastavování teploty: nahoru

F Tlačítko výběru teplotní zóny

G Tlačítko zámku

H Tlačítko napájení

## 4. Funkce automatického zamykání

Ve stavu uzamčené obrazovky dlouze stiskněte klávesu zámku po dobu 3 s, na obrazovce displeje se zobrazí 3, 2 a 1, obrazovka displeje se odemkne a ikona zámku svítí do poloviny; pokud není provedena žádná akce, obrazovka se po 30 s automaticky uzamkne. Ve stavu uzamčené obrazovky svítí všechny ikony kláves zámku a klávesy na obrazovce displeje nelze ovládat (kromě klávesy osvětlení);

## 5. Funkce tlačítka napájení

Když je obrazovka vypnutá, dotkněte se libovolného tlačítka a displej se rozsvítí; dlouze stiskněte tlačítko napájení, na displeji se zobrazí 5, 4, 3, 2 a 1 a vypne se napájení celého přístroje.

Když je napájení vypnuté, dlouhým stisknutím tlačítka napájení zobrazíte 5, 4, 3, 2, 1.

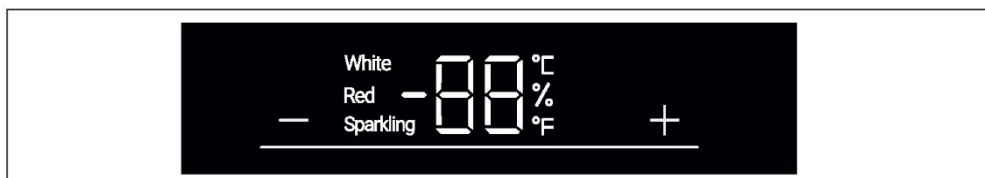
Napájení je zapnuto.





## 6. Nastavování teploty

### Upozornění


#### Výchozí nastavení



- ▶ Jakmile připojíte spotřebič k elektrické zásuvce, nechte ho běžet alespoň 30 minut, aby se aklimatizoval, než začnete cokoli nastavovat.
- ▶ Když se spotřebič zapne poté, co byl odpojen od napájení, může trvat několik hodin, než dosáhne správné teploty. Přesná doba se liší v závislosti na prostředí a nastavení teploty.



Stiskněte tlačítko  nebo , displej začne blikat. Stisknutím tlačítka  nebo  nastavte požadovanou teplotu. Rozsah nastavení teploty: 5–20 °C (41–68 °F). Přestaňte mačkat tlačítko na 3 sekundy, teplota se potvrdí.

## 7. Funkce Mode nebo Zone

Stiskněte tlačítko  **MODE**, teplota se přepne z šumivého (8°C nebo 47°F) na bílé (12°C nebo 54°F) a červené (16°C nebo 61°F). (pro HWS247GGU1)

V odemknutém stavu nepřetržitě svítí ikona „“. Pokud se aktuální zobrazení nachází v horní teplotní zóně, horní ikona se rozsvítí a dolní ikona nesvítí. V tomto okamžiku stiskněte tlačítko „“, dolní ikona se rozsvítí a horní ikona zhasne. (pro HWS236GDGU1)

### Doporučené nastavení teplot

Pro různé typy vína se doporučují následující konzumační teploty.

Červené víno	+13 °C až +20 °C (+55 °F až +68 °C)	Šumivé víno Prosecco	+5 °C až +8 °C (+41 °F až +47 °F)
Bílé víno	+9 °C až +12 °C (+48 °F až +54 °F)		

Pokud skladujete víno delší dobu, mělo by se ukládat při teplotě mezi +10 °C a +12 °C (50 °F a +54 °F).

## 8. Pohotovostní režim

Po 30 sekundách obrazovka displeje automaticky zhasne.

Po stisknutí jakéhokoli tlačítka nebo otevření dvířek se automaticky rozsvítí.



## Upozornění

### Faktory ovlivňující teplotu

Teplota uvnitř spotřebiče je ovlivňována následujícími faktory:


- ▶ Okolní teplota
- ▶ Frekvence otevírání dveříek
- ▶ Množství uložených láhví
- ▶ Umístění spotřebiče

Výchozí nastavení je 12 °C.

Až přestane blikat displej, vrátí se k zobrazování aktuální teploty uvnitř vinného sklípku. Bude chvíli trvat, než se dosáhne nastavené teploty.

## 9. Nastavení režimu osvětlení

Stiskněte tlačítko  LIGHT. Když jsou zapnutá světla ve skříni, pozvolna se rozsvítí.

Po dalším stisknutí tlačítka  LIGHT světla pozvolna zhasnou.

## 10. Funkce °C/°F

Stisknutím tlačítka  lze přepínat mezi stupni Fahrenheita a Celsia.

## 11. Funkce paměti při vypnutí

Pokud dojde k výpadku napájení, sklípek automaticky uloží nastavenou teplotu. Až se obnoví dodávka energie, sklípek poběží s teplotou nastavenou před výpadkem napájení.

## 12. Funkce kompenzace nízké teploty

Vinný sklípek má funkci kompenzace nízké teploty, která zajišťuje stabilní teplotu: Když je okolní teplota nižší než nastavená teplota, vinný sklípek automaticky spustí funkci kompenzace nízké teploty a spotřebič se začne vytápět. Až teplota ve spotřebiči dosáhne nastavené teploty, funkce kompenzace nízké teploty se automaticky vypne.

## 13. Alarm otevřených dveří

Jestliže zůstanou dveřka otevřená déle než 1 minutu, spustí se akustický alarm a bude se ozývat pípání, dokud nezavřete dveřka nebo nestisknete nějaké tlačítko na panelu displeje.

## 14. Nastavení režimu Wi-Fi

### PŘIPOJENÍ

### PARAMETRY BEZDRÁTOVÉHO PŘENOSU

Technologie	Wi-Fi	Bluetooth
Standard	IEE 802.11 b/g/n	Bluetooth v4.2, BR/EDR, BLE
Frekvenční pásmo [MHz]	2401–2483	2402–2480
Maximální výkon [mW] Pásmo (pásma) [MHz]	100	10

### INFORMACE O VÝROBKU

Jak aktivovat modul Wi-Fi:

Stisknutím světelného tlačítka na 3 sekundy aktivujete Wi-Fi

- Zapne se modul Wi-Fi a začne blikat ikona Wi-Fi
- Pokud je vinný sklípek registrován, ale Wi-Fi je vypnuté, ikona bude blikat
- Pokud je vinný sklípek registrován a připojen, ikona Wi-Fi bude nepřetržitě svítit
- Chcete-li resetovat Wi-Fi, na 3 sekundy stiskněte světelné tlačítko

### POSTUP PÁROVÁNÍ S APLIKACÍ

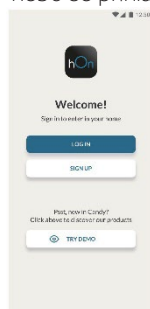
#### Krok 1

- Stáhněte si aplikaci hOn z obchodu s aplikacemi



#### Krok 2

- Zaregistrujte se, nebo se přihlaste



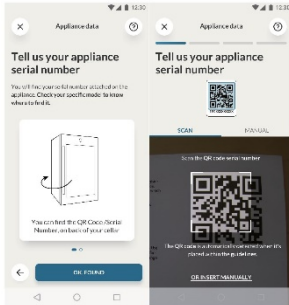
#### Krok 3

- Přidejte nový spotřebič tak, že ze seznamu vyberete vinný sklípek



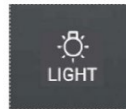
## Krok 4

- Naskenujte kód QR, nebo ručně zadejte sériové číslo



## Krok 5

- Stisknutím světelného tlačítka na spotřebiči na 3 s aktivujete Wi-Fi



## Krok 6

- Ikona wi-Fi bude blikat, probíhá proces párování
- Na dokončení procesu párování budete mít 5 minut
- Po dokončení procesu přestane ikona Wi-Fi blikat a zůstane svítit

**POZNÁMKA**



## Tipy pro úsporu energie

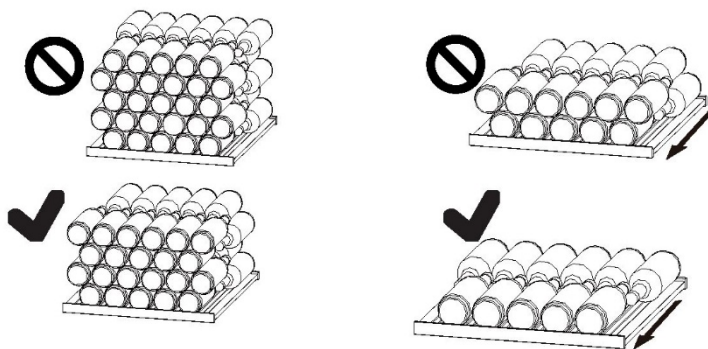
- ▶ Zajistěte, aby měl spotřebič náležité větrání (viz INSTALACE).
- ▶ Neinstalujte spotřebič na přímé sluneční světlo nebo do blízkosti zdrojů tepla (např. sporáků nebo ohřívačů).
- ▶ Vyhýbejte se zbytečně nízké teplotě uvnitř spotřebiče. Čím nižší je nastavená teplota ve spotřebiči, tím vyšší je spotřeba energie.
- ▶ Otvírejte dvířka spotřebiče co nejméně a na co nejkratší dobu.
- ▶ Nepřekračujte stanovené množství láhví, aby se nenarušilo proudění vzduchu.
- ▶ Udržujte těsnění dvířek v čistém stavu, aby se dvířka vždy správně zavírala.
- ▶ Energeticky nejúspornější konfigurace vyžaduje, aby byly ve spotřebiči nainstalovány přihrádky, schránka na potraviny a police ve stavu jako z výroby a aby uložené potraviny nezakrývaly výstup vzduchového kanálu.

## 1. Police


1. Police jsou navrženy tak, aby umožňovaly snadné ukládání a vyndávání vína. Lze je čistit měkkou utěrkou.
2. Běžné láhve o průměru 76 mm lze skládat na sebe.
3. Láhve Magnum lze skládat na sebe ve spodní polici.
4. Pokud se láhve skládají jinak, množství se může lišit od vyobrazeného počtu.

### Rada k uspořádání vašeho vinného sklípku

Doporučujeme, aby počet lahví vína nepřesáhl čtyři vrstvy na každé polici a nosnost polic na víno uvnitř vinného sklípku nepřesáhla 60 lahví. Ověřte si, zda jsou police na víno zcela stabilní. Navíc ověřte, zda nějaké láhve nevyčnívají z polic, aby při zavírání nenarazily do skleněných dvířek.



## 2. Světlo

Po otevření dvířek se rozsvítí světlo LED osvětlující interiér. Chcete-li rozsvítit světlo, když jsou dvířka zavřená, stiskněte tlačítko . Chcete-li světla vypnout, znovu se dotkněte tlačítka. Když se do vinného sklípku nedíváte, světla by měla být zhasnutá, aby se zvýšila energetická účinnost.

## 3. Zámek

Chcete-li zamknout vinný sklípek, zavřete dvířka a vložte klíč do zámku:

- ▶ Zamkněte dvířka otočením klíče doprava;
- ▶ Odemkněte dvířka otočením klíče doleva.

## 1. Odmrazování

Vinný sklípek se odmrazuje automaticky; není nutný žádný ruční zásah.

## 2. Výměna žárovky LED

Jako zdroj světla v žárovce se používají diody LED, které se vyznačují nízkou spotřebou energie a dlouhou životností. Pokud se vyskytne nějaký neobvyklý stav, kontaktujte zákaznický servis. Viz ZÁKAZNICKÝ SERVIS.



## VAROVÁNÍ!

Nevyměňujte žárovku LED vlastními silami. Její výměnu musí provést buď výrobce, nebo autorizovaný servisní zástupce.

## Parametry žárovky LED:

Napětí 12 V

Max. výkon: 18 W

## 3. Když se spotřebič delší dobu nepoužívá

Vytáhněte napájecí kabel ze zásuvky.

Vyčistěte spotřebič a těsnění dvířek podle výše uvedeného popisu.

Nechte dvířka otevřená, aby se uvnitř nevytvořil zápach.

## 4. Přemísťování spotřebiče

1. Vyměňte všechny láhve a odpojte spotřebič od napájení.

2. Připevněte police a ostatní pohyblivé součásti ve vinném sklípku lepicí páskou.

3. Nenaklánejte vinný sklípek v úhlu větším než 45°, aby se předešlo poškození chladicího systému.

## 5. Výměna vzduchu skrz filtr s aktivním uhlím

Způsob zrání vína závisí na podmínkách prostředí. Proto má kvalita vzduchu rozhodující význam pro uchovávání vína. Ve spodní části zadní stěny spotřebiče je nainstalován filtr s aktivním uhlím, aby byla udržována optimální kvalita procházejícího vzduchu.



## Upozornění

Doporučujeme měnit filtr jednou ročně. Filtry získáte od svého prodejce.

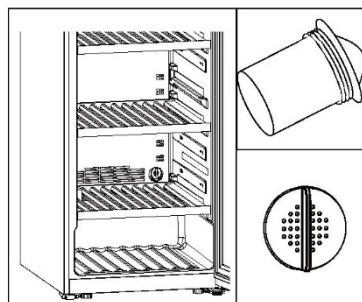
## Výměna filtru:

Uchopte filtr za držadlo. Otočte ho doleva a vyjměte ho.

## Vkládání filtru:

Vložte filtr s držadlem ve svislé poloze.

Otočte ho doprava a zasuňte ho dovnitř.



Mnoho problémů můžete vyřešit sami bez konkrétních odborných znalostí. V případě nějakého problému zkontrolujte všechny možnosti a řiďte se níže uvedenými pokyny, než se obrátíte na poprodejní servis. Viz ZÁKAZNICKÝ SERVIS.

### **VAROVÁNÍ!**

- ▶ Před zahájením údržby vypněte spotřebič a vytáhněte zástrčku napájecího kabelu ze síťové zásuvky.
- ▶ Servis elektrického zařízení by měli provádět pouze kvalifikovaní elektrikáři, protože nepatřičné opravy by mohly vést k vážným následným škodám.
- ▶ Poškozený napájecí kabel by měl vyměnit pouze výrobce, jeho servisní zástupce nebo osoby s podobnou kvalifikací, aby se vyloučilo riziko.

Chybový kód	Příčina	Řešení
L2	Alarm nízké teploty, když je teplota řídicího čidla příliš nízká;	<ol style="list-style-type: none"> <li>1. Zkontrolujte okolní teplotu.</li> <li>2. Zkontrolujte konektor kompresoru.</li> <li>3. Zkontrolujte odpor čidla regulace teploty.</li> </ol>
H1	Pokud je teplota kontrolního čidla příliš vysoká, zobrazí se na displeji alarm vysoké teploty;	<ol style="list-style-type: none"> <li>1. Zkontrolujte konektor řídicí desky nebo panelu displeje.</li> <li>2. Zkontrolujte odpor a napětí ventilátoru.</li> <li>3. Zkontrolujte ventilátor a konektor kompresoru.</li> </ol>

Problém	Možná příčina	Možné řešení
Kompresor nepracuje.	<ul style="list-style-type: none"> <li>• Síťová zástrčka není zapojena do síťové zásuvky.</li> </ul>	<ul style="list-style-type: none"> <li>• Zapojte síťovou zástrčku.</li> </ul>
Spotřebič se spouští často, nebo běží příliš dlouho.	<ul style="list-style-type: none"> <li>• Venkovní teplota je příliš vysoká.</li> <li>• Spotřebič byl určitou dobu vypnutý.</li> <li>• Dvířka spotřebiče nejsou těsně zavřená.</li> <li>• Dvířka se otvírala příliš často, nebo byla příliš dlouho otevřená.</li> <li>• Těsnění dvířek je znečištěné, opotřebené, popraskané nebo nesprávně nainstalované.</li> <li>• Není zaručena požadovaná cirkulace vzduchu.</li> <li>• Je nastavena příliš nízká teplota.</li> </ul>	<ul style="list-style-type: none"> <li>• V tomto případě je normální, že spotřebič běží déle.</li> <li>• Normálně chvíli trvá, než se spotřebič úplně ochladí.</li> <li>• Zavřete dvířka a ujistěte se, že spotřebič je umístěn na rovné zemi a dvířkům nepřekáží žádné potraviny nebo nádoby.</li> <li>• Neotvírejte dvířka příliš často.</li> <li>• Vyčistěte těsnění dvířek, nebo ho nechte vyměnit zákaznickým servisem.</li> <li>• Zajistěte odpovídající větrání.</li> <li>• Problém se vyřeší sám, až bude dosaženo požadované teploty.</li> </ul>
Vnitřek vinného sklípku je znečištěný a/nebo zapáchá.	<ul style="list-style-type: none"> <li>• Je třeba vyčistit vnitřek sklípku.</li> </ul>	<ul style="list-style-type: none"> <li>• Vyčistěte vnitřek vinného sklípku.</li> </ul>
Uvnitř spotřebiče není dostatečně chladno.	<ul style="list-style-type: none"> <li>• Je nastavena příliš vysoká teplota.</li> <li>• Nedávno byly přidány nějaké láhve.</li> <li>• Dvířka spotřebiče nejsou těsně zavřená.</li> <li>• Dvířka se otvírala příliš často, nebo byla příliš dlouho otevřená.</li> <li>• Těsnění dvířek je znečištěné, opotřebené, popraskané nebo nesprávně nainstalované.</li> </ul>	<ul style="list-style-type: none"> <li>• Znovu nastavte teplotu.</li> <li>• Vyčkejte, než nedávno přidané láhve dosáhnou požadované teploty.</li> <li>• Zavřete dvířka.</li> <li>• Neotvírejte dvířka příliš často.</li> <li>• Vyčistěte těsnění dvířek, nebo ho nechte vyměnit zákaznickým servisem.</li> </ul>
Uvnitř spotřebiče je příliš chladno.	<ul style="list-style-type: none"> <li>• Je nastavena příliš nízká teplota.</li> </ul>	<ul style="list-style-type: none"> <li>• Znovu nastavte teplotu.</li> </ul>

Problém	Možná příčina	Možné řešení
Tvoření vlhkosti na vnitřním povrchu chladicího prostoru.	<ul style="list-style-type: none"> <li>• Prostředí je příliš teplé a vlhké.</li> <li>• Dvířka spotřebiče nejsou těsně zavřená.</li> <li>• Dvířka se otvírala příliš často, nebo byla příliš dlouho otevřená.</li> </ul>	<ul style="list-style-type: none"> <li>• Zvyšte teplotu.</li> <li>• Zavřete dvířka.</li> <li>• Neotvírejte dvířka/zásuvku příliš často.</li> </ul>
Na vnějším povrchu vinného sklípku se hromadí vlhkost.	<ul style="list-style-type: none"> <li>• Prostředí je příliš teplé a vlhké</li> <li>• Dvířka nejsou těsně zavřená. Chladný vzduch ve spotřebiči a teplý vnější vzduch, dochází ke kondenzaci.</li> </ul>	<ul style="list-style-type: none"> <li>• Jedná se o normální jev ve vlhkém prostředí; až se sníží vlhkost, situace se změní.</li> <li>• Ujistěte se, že dvířka jsou těsně zavřená a těsnění správně přiléhá.</li> </ul>
Spotřebič vydává neobvyklé zvuky.	<ul style="list-style-type: none"> <li>• Spotřebič nestojí na rovné zemi.</li> <li>• Spotřebič se dotýká nějakého předmětu v jeho okolí.</li> </ul>	<ul style="list-style-type: none"> <li>• Seřídte nohy, aby stál spotřebič rovně.</li> <li>• Odstraňte předměty z okolí spotřebiče.</li> </ul>
Ozývá se slabý zvuk podobný vodě.	<ul style="list-style-type: none"> <li>• Jedná se o normální jev.</li> </ul>	<ul style="list-style-type: none"> <li>• -</li> </ul>
Nefunguje osvětlení interiéru nebo chladicí systém.	<ul style="list-style-type: none"> <li>• Síťová zástrčka není zapojena do síťové zásuvky.</li> <li>• Napájení nemá správné parametry.</li> <li>• Žárovka LED je vadná.</li> </ul>	<ul style="list-style-type: none"> <li>• Zapojte síťovou zástrčku.</li> <li>• Zkontrolujte přívod elektrického napájení do místnosti. Zavolejte místnímu dodavateli elektřiny.</li> <li>• Zavolejte servis se žádostí o výměnu.</li> </ul>
Boční strany chladiče a lišta na dvířkách jsou teplé.	<ul style="list-style-type: none"> <li>• Jedná se o normální jev.</li> </ul>	<ul style="list-style-type: none"> <li>• -</li> </ul>
Dvířka se správně nezavírají.	<ul style="list-style-type: none"> <li>• Spotřebič nestojí rovně.</li> <li>• Dvířka jsou blokována.</li> </ul>	<ul style="list-style-type: none"> <li>• Vyrovnajte spotřebič pomocí vyrovnávacích noh.</li> <li>• Zkontrolujte, zda láhve nebo police neblokují dvířka.</li> </ul>

Chcete-li kontaktovat technickou pomoc, navštivte naše webové stránky:

<https://corporate.haier-europe.com/en/>

V části „Website“ zvolte značku vašeho výrobku a vaši zemi. Budete přesměrováni na konkrétní webovou stránku, kde najdete telefonní číslo a kontaktní formulář technické pomoci

Informační list výrobku podle nařízení EU č. 2019/2016

Značka	Haier	Haier
Název/označení modelu	HWS247GGU1	HWS236GDGU1
Kategorie	Vinný sklípek	Vinný sklípek
Třída energetické účinnosti	G	G
Roční spotřeba energie (kWh/rok) <sup>1)</sup>	184	184
Užitný objem (l)	450	448
Klimatická třída: Tento spotřebič je určen k používání při teplotě okolí mezi 10 °C a 38 °C.	SN N ST	SN N ST
Emise hluku šířeného vzduchem (db(A) re 1 pW)	C(37)	C(37)
Typ spotřebiče	Volně stojící	Volně stojící
Tento spotřebič je určen výhradně k ukládání vína.	Ano	Ano
Rozměry (Š/H/V v mm)	597/714/1900	597/714/1900

Vysvětlení:

1) Na základě výsledků standardní zkoušky za 24 hodin. Skutečná spotřeba energie závisí na aktuálním prostředí, množství láhvi, nastavené teplotě, otvírání a zavírání dvířek atd.

2) Jmenovitá spotřeba energie je hodnota získaná podle standardní zkoušky, když není zapnuté osvětlení interiéru vinného sklípku.

- subnormální: „tento chladicí spotřebič je určen k používání při teplotách okolí v rozsahu od 10 °C do 32 °C“.
- normální: „tento chladicí spotřebič je určen k používání při teplotách okolí v rozsahu od 16 °C do 32 °C“.
- subtropická: „tento chladicí spotřebič je určen k používání při teplotách okolí v rozsahu od 16 °C do 38 °C“.
- tropická: „tento chladicí spotřebič je určen k používání při teplotách okolí v rozsahu od 16 °C do 43 °C“.

## Normy a směrnice

Tento výrobek splňuje požadavky všech platných směrnic ES s odpovídajícími harmonizovanými normami, které stanoví používání označení CE.

Doporučujeme využívat zákaznický servis společnosti Haier a používat originální náhradní díly.

V případě nějakého problému se spotřebičem si nejprve přečtete část ŘEŠENÍ PROBLÉMŮ.

Pokud v ní nenajdete řešení, kontaktujte

- ▶ místního prodejce nebo
- ▶ navštivte část Servis a podpora na stránkách [www.haier.com](http://www.haier.com), kde najdete telefonní čísla a časté otázky týkající se aktivace požadavku na servis.

Chcete-li kontaktovat náš servis, ujistěte se, že máte k dispozici následující údaje.

Tyto údaje lze najít na typovém štítku.

Model \_\_\_\_\_ Sériové č. \_\_\_\_\_

V případě záruky se také podívejte do záručního listu dodaného s výrobkem.

Se všeobecnými dotazy obchodní povahy se v Evropě obračejte na následující adresy:

#### Evropské adresy společnosti Haier

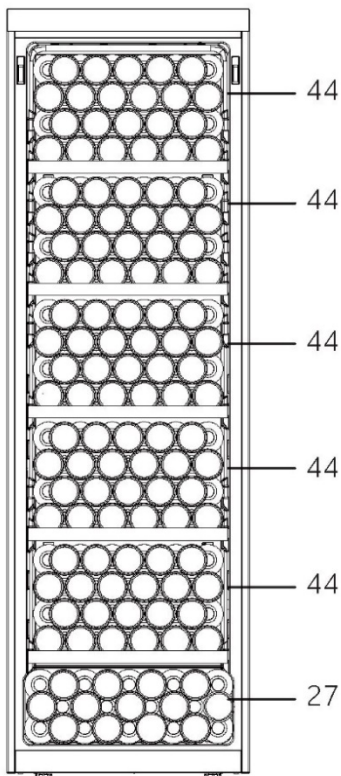
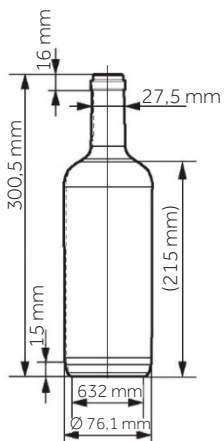
Země*	Poštovní adresa	Země	Poštovní adresa
<b>Itálie</b>	Haier Europe Trading SRL Via De Cristoforis, 12 21100 Verese ITÁLIE	<b>Francie</b>	Haier Europe Trading SRL Via De Cristoforis, 12 21100 Verese ITÁLIE
<b>Španělsko</b> <b>Portugalsko</b>	Haier Iberia SL Pg. Pg. Garcia Faria, 49-51 08019 Barcelona ŠPANĚLSKO	<b>Belgie-FR</b> <b>Belgie-NL</b> <b>Nizozemsko</b> <b>Lucembursko</b>	Haier Benelux SA Anderlecht Route de Lennik 451 BELGIE
<b>Německo</b> <b>Rakousko</b>	Haier Deutschland GmbH Hewlett-Packard-Str. 4 D-61352 Bad Homburg NĚMECKO	<b>Polsko</b> <b>Česká republika</b> <b>Maďarsko</b> <b>Řecko</b> <b>Rumunsko</b> <b>Rusko</b>	Haier Poland Sp. zo.o. Al. Jerozolimskie 181B 02-222 Warszawa POLSKO
<b>Spojené království</b>	Haier Appliances UK Co. Ltd. One Crown Square Church Street East Woking, Surrey, GU21 6HR UK		

**DOSTUPNOST NÁHRADNÍCH DÍLŮ** Termostaty, snímače teploty, desky s plošnými spoji a světelné zdroje budou k dispozici po dobu nejméně sedmi let od uvedení posledního modelu spotřebiče na trh.

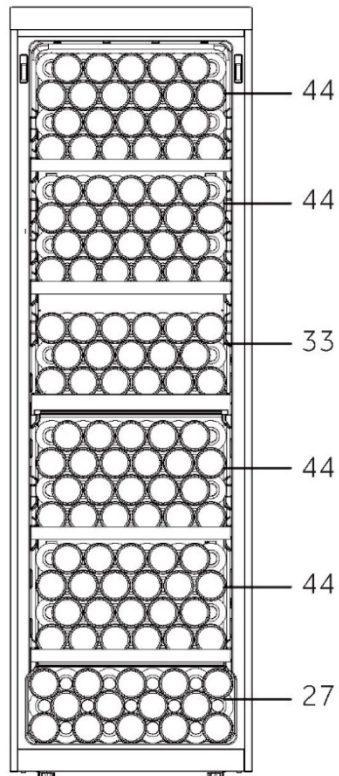
Madla dvířek, závěsy dvířek, příhrádky a koše budou k dispozici po dobu nejméně sedmi let a těsnění dvířek po dobu nejméně deseti let od uvedení posledního modelu spotřebiče na trh

**Minimální záruka:** 2 roky pro země EU, 3 roky pro Turecko, 1 rok pro Spojené království, 1 rok pro Rusko, 3 roky pro Švédsko, 2 roky pro Srbsko, 5 let pro Norsko, 1 rok pro Maroko, 6 měsíců pro Alžírsko, Tunisko nevyzaduje žádnou zákonnou záruku.

**Chcete-li další informace o výrobku, navštivte stránky <https://eprel.ec.europa.eu/> nebo naskenujte kód QR na energetickém štítku dodaném se spotřebičem.**



**HWS247GGU1**



**HWS236GDGU1**







Haier

# Príručka používateľa

Vinotéka

HWS247GGU1

HWS236GDGU1

SK

**Haier**

## Ďakujeme za zakúpenie produktu Haier.

Pred použitím tohto spotrebiča si pozorne prečítajte tieto pokyny. Pokyny obsahujú dôležité informácie, ktoré vám pomôžu vyťažiť zo spotrebiča maximum a zaistia bezpečnú a správnu inštaláciu, používanie a údržbu.

Túto príručku uschovajte na vhodnom mieste, aby ste si mohli kedykoľvek prečítať pokyny na bezpečné a správne používanie spotrebiča.

Ak spotrebič predávate, darujete alebo ho nechávate v domácnosti po odťahovaní, nezabudnite s ním novému vlastníkovi odovzdať aj túto príručku, aby sa mohol oboznámiť so spotrebičom a bezpečnostnými upozoreniami.



### Vysvetlivky



### Varovanie – Dôležité bezpečnostné informácie

Všeobecné informácie a tipy



Informácie o životnom prostredí



### Likvidácia

Pomáhajte chrániť životné prostredie a zdravie ľudí. Obal vyhodte do vhodných nádob na recykláciu. Pomáhajte recyklovať odpad z elektrických a elektronických prístrojov. Zariadenia označené týmto symbolom nelikvidujte s domácim odpadom. Výrobok odneste do miestneho recyklačného strediska alebo kontaktujte mestský úrad.



## VAROVANIE!

### Nebezpečenstvo poranenia alebo zadusenía!

Chladivá a plyny sa musia likvidovať profesionálnym spôsobom. Pred správnu likvidáciou sa uistite, že nie je poškodená hadica okruhu chladiva. Spotrebič odpojte od elektrickej siete. Odrežte a zlikvidujte napájací kábel. Vyberte podnosy a zásuvky, ako aj západku a tesnenie dverí, aby ste zabránili zatvoreniu detí a domácich zvierat vnútri spotrebiča.

Staré spotrebiče majú ešte stále určitú zostatkovú hodnotu. Ekologický spôsob likvidácie zabezpečí opätovné zhodnotenie cenných surovín a ich opätovné použitie.

Ako expandér izolačnej peny sa používa cyklopentán. Je to horľavá látka, ktorá nie je škodlivá pre ozón.

Zabezpečením správnej likvidácie tohto výrobku pomôžete zabrániť možným negatívnym vplyvom na životné prostredie a ľudské zdravie, ku ktorým by v opačnom prípade mohlo dôjsť.

Podrobnejšie informácie o recyklácii tohto výrobku získate na príslušnom miestnom úrade, v zberných surovinách alebo v predajni, kde ste si výrobok zakúpili.

1- Bezpečnostné informácie .....	4
2- Bezpečnostné rady .....	7
3- Údržba .....	11
4- Príslušenstvo .....	13
5- Opis výrobku .....	14
6- Inštalácia .....	15
7- Použitie.....	19
8- Tipy na úsporu energie .....	24
9- Vybavenie .....	25
10- Starostlivosť a čistenie.....	26
11- Riešenie problémov .....	27
12- Technické údaje.....	30
13- Zákaznícky servis.....	31
14- Nakladanie vínnych fliaš .....	32

**Tento spotrebič je určený výhradne na uskladnenie vína. Pred prvým zapnutím spotrebiča si prečítajte nasledujúce bezpečnostné pokyny:**



## **VAROVANIE!**

### **Pred prvým použitím**

- ▶ Uistite sa, že sa spotrebič pri preprave nepoškodil.
- ▶ Odstráňte všetky obaly a odložte ich mimo dosahu detí. Zneškodnite ich ekologicky.
- ▶ Pred inštaláciou spotrebiča počkajte najmenej 0,5 hodiny, aby sa zabezpečila plná účinnosť chladiaceho okruhu.
- ▶ Spotrebič musia prenášať minimálne dve osoby, pretože je ťažký.

### **Inštalácia**

- ▶ Spotrebič musí byť umiestnený na dobre vetranom mieste. Nad spotrebičom a v jeho okolí musíte zabezpečiť minimálne 50 mm priestor.
- ▶ **VAROVANIE:** Dávajte pozor, aby nedošlo k blokovaniu vetracích otvorov v kryte zariadenia alebo v zabudovanej konštrukcii.
- ▶ Spotrebič nikdy neumiestňujte na vlhké miesto ani na miesto, kde by mohla striekať voda. Postriekania vodou a škvrnny vyčistite a osušte mäkkou čistou handričkou.
- ▶ Vinotéku neinštalujte na žiadnom mieste, ktoré nie je riadne izolované alebo vykurované, napr. v garáži a pod. Vaša vinotéka nebola navrhnutá, aby fungovala pri teplote okolia nižšej ako 10 °C.
- ▶ Spotrebič neinštalujte na priame slnečné svetlo ani do blízkosti zdrojov tepla (napr. kachle, ohrievače).
- ▶ Spotrebič nainštalujte a vyrovnajte na mieste, ktoré je vhodné svojou veľkosťou a využitím.
- ▶ Uistite sa, že elektrické údaje na typovom štítku sa zhodujú s údajmi pre vašu sieť. V opačnom prípade kontaktujte elektrikára.
- ▶ Spotrebič funguje pri 220 – 240 VAC/50 Hz napájaní. Abnormálne kolísanie napätia môže spôsobiť, že sa spotrebič nezapne, poškodí sa regulátor teploty alebo kompresor alebo sa môže pri prevádzke vyskytnúť neobvyklý hluk. V takom prípade musíte namontovať automatický regulátor.
- ▶ Nepoužívajte adaptéry s viacerými zásuvkami ani predlžovacie káble.
- ▶ **VAROVANIE:** Na zadnú stranu spotrebiča neumiestňujte viacnásobné prenosné zásuvky ani prenosné napájacie káble.

**VAROVANIE!**

- ▶ **VAROVANIE:** Pri umiestnení spotrebiča zabezpečte, aby sa napájací kábel nezachytil ani nepoškodil.
- ▶ Na napájací kábel nestúpajte.
- ▶ Použite samostatnú uzemnenú zásuvku, aby k nej bol zabezpečený jednoduchý prístup. Spotrebič musí byť uzemnený.
- ▶ **Len pre Spojené kráľovstvo:** Napájací kábel spotrebiča je vybavený 3-vodičovou (uzemňovacou) zástrčkou, ktorá je vhodná pre štandardnú 3-vodičovú (uzemnenú) zásuvku. Tretí kolík (uzemnenie) nikdy neodrezávajte ani neodstraňujte. Po inštalácii zariadenia musí byť zástrčka prístupná.
- ▶ **VAROVANIE:** Nepoškodte chladiaci okruh.

**Každodenné použitie**

- ▶ Deti staršie ako 8 rokov a osoby s obmedzenými fyzickými, zmyslovými alebo duševnými schopnosťami alebo nedostatkom skúseností či vedomostí môžu tento spotrebič používať pod dohľadom, resp. po poučení a oboznámení sa s bezpečným spôsobom používania a porozumení možným nebezpečenstvám.
- ▶ Deti sa so spotrebičom nesmú hrať.
- ▶ Deti vo veku od 3 do 8 rokov môžu do chladiacich spotrebičov nakladať a vykladať potraviny, nesmú ich však čistiť ani inštalovať.
- ▶ Deťom do 3 rokov nedovoľte, aby sa priblížili ku spotrebiču, pokiaľ nie sú pod neustálym dohľadom.
- ▶ Čistenie a údržbu nesmú vykonávať deti bez dozoru.
- ▶ Zariadenie musí byť umiestnené tak, aby bola zástrčka prístupná.
- ▶ Ak v blízkosti spotrebiča uniká uhoľný plyn alebo iný horľavý plyn, vypnite ventil unikajúceho plynu, otvorte dvere a okná a neodpájajte napájací kábel spotrebiča.
- ▶ Po odpojení napájania počkajte najmenej 7 minút, kým ho znova pripojíte.
- ▶ Zariadenie nezdvíhajte za rukoväťe dvierok.
- ▶ Kľúče musíte uchovávať mimo dosahu detí a nie v blízkosti zariadenia, aby sa zabránilo uzamknutiu detí vo vnútri zariadenia.
- ▶ Všimnite si, že spotrebič je nastavený na prevádzku v špecifickom klimatickom pásme 10 až 38 °C. Spotrebič možno nebude fungovať správne, ak sa ponechá dlho v prostredí s teplotou, ktorá je vyššia



## VAROVANIE!

alebo nižšia než uvedený rozsah.

- ▶ Na spotrebič nekladte žiadne nestabilné predmety (ťažké predmety, nádoby naplnené vodou), aby nedošlo k zraneniu osôb pádom alebo úrazu elektrickým prúdom po kontakte s vodou.
- ▶ Dvere otvárajte a zatvárajte iba pomocou rúk. Medzera medzi dverami a skrinkou je veľmi úzka. Do týchto priestorov nekladajte ruky, aby nedošlo k pricviknutiu prstov. Dvere spotrebiča otvárajte alebo zatvárajte iba vtedy, ak v rozsahu pohybu dverí nestoja žiadne deti.
- ▶ V spotrebiči ani v jeho blízkosti neskladujte a nepoužívajte horľavé, výbušné alebo korozívne materiály.
- ▶ V tomto spotrebiči neskladujte výbušné látky ako sú plechovky s aerosólmi, ktoré podporujú horenie.
- ▶ V spotrebiči neskladujte lieky, baktérie ani chemické látky. Tento spotrebič je domáci spotrebič. Neodporúčame vám, aby ste v ňom skladovali materiály, ktoré vyžadujú presné teploty.
- ▶ V priehradke na víno nenastavujte zbytočne nízku teplotu. Pri vysokých nastaveniach sa môžu vyskytnúť mínusové teploty. Pozor: Fľaše môžu prasknúť
- ▶ Počas prevádzky sa nedotýkajte vnútorného povrchu priestoru spotrebiča, najmä nie mokrými rukami, pretože by vám mohli ruky primrznúť k povrchu.
- ▶ Správne ochladenie vína dosiahnete, ak nebudete spotrebič preťažovať.
- ▶ V prípade prerušenia napájania alebo pred čistením odpojte spotrebič zo zásuvky. Pred opätovným zapnutím spotrebiča počkajte najmenej 7 minút, pretože časté štartovanie môže poškodiť kompresor.
- ▶ **UPOZORNENIE:** sú typu odporúčaného výrobcem. Poškodený napájací kábel musia vymeniť v zákazníckom servise, aby sa zabránilo nebezpečenstvu (pozrite záručný list).
- ▶ Ak chcete predĺžiť životnosť spotrebiča, nevypínajte ho.
- ▶ Spotrebič nikdy nekladajte na podlahu v horizontálnej polohe. Po naklonení spotrebiča o viac ako 45° počkajte pred jeho pripojením 24 hodín.

**VAROVANIE!****Údržba/čistenie**

- ▶ Keď čistenie a údržbu vykonávajú deti, nenechávajte ich bez dozoru.
- ▶ Pred vykonávaním akejkoľvek bežnej údržby odpojte spotrebič od elektrickej siete. Pred opätovným zapnutím spotrebiča počkajte najmenej 7 minút, pretože časté štartovanie môže poškodiť kompresor.
- ▶ Pri odpájaní spotrebiča chytte zástrčku, nie kábel.
- ▶ Spotrebič nečistite tvrdými kefami, drôtenými kefami, čistiacim práškom, benzínom, amylacetátom, acetónom ani podobnými organickými roztokmi, kyselinami ani zásadami. Čistite pomocou špeciálneho čistiaceho prostriedku na chladničky/mrazničky, aby ste zabránili poškodeniu. Prípadne použite teplú vodu a roztok sódy bikarbóny – približne lyžicu sódy bikarbóny na liter vody. Dôkladne opláchnite vodou a utrite dosucha. Nepoužívajte čistiace prášky ani iné abrazívne čistiace prostriedky. Odnímateľné časti neumývajte v umývačke riadu.
- ▶ **UPOZORNENIE:** Na urýchlenie odmravovania nepoužívajte mechanické zariadenia ani iné prostriedky s výnimkou tých, ktoré odporúča výrobca.
- ▶ Ak je poškodený vonkajší napájací kábel, v záujme eliminácie akéhokoľvek rizika ho musí vymeniť výrobca, jeho servisný zástupca alebo rovnako kvalifikovaná osoba.
- ▶ Spotrebič sa nepokúšajte sami opravovať, rozoberať alebo upravovať. V prípade opravy kontaktujte náš zákaznicky servis.
- ▶ Ak sú poškodené žiarovky, v záujme eliminácie akéhokoľvek rizika ich musí vymeniť výrobca, jeho servisný zástupca alebo rovnako kvalifikovaná osoba.
- ▶ Aspoň raz za rok odstráňte prach zo zadnej strany jednotky, aby ste predišli nebezpečenstvu požiaru a zvýšenej spotrebe energie.

- ▶ Počas čistenia na spotrebič nestriekajte ani ho nepreplachujte.
- ▶ Na čistenie spotrebiča nepoužívajte prúd vody ani paru.
- ▶ Chladné sklenené dvere nečistite horúcou vodou. Náhla zmena teploty môže spôsobiť rozbitie skla.
- ▶ Ak spotrebič nebudete dlhšiu dobu používať, nechajte ho otvorený, aby sa vo vnútri nehromadil zápach a nepríjemné pachy.

## Informácie o plyne chladiva



### **VAROVANIE!**

Spotrebič obsahuje horľavé chladivo IZOBUTÁN (R600a).

Uistite sa, že sa počas prepravy alebo inštalácie nepoškodil chladiaci okruh. Unikajúce chladivo môže spôsobiť poranenie očí alebo vznietenie.

Ak došlo k poškodeniu, udržiajte zdroje otvoreného ohňa mimo, dôkladne vyvetrajte miestnosť a nepripájajte ani neodpájajte napájacie káble spotrebiča alebo akéhokoľvek iného zariadenia. Informujte zákaznícky servis.

V prípade kontaktu očí s chladivom, okamžite vypláchnite oči pod tečúcou vodou a okamžite kontaktujte očného lekára.

**VAROVANIE:** Chladiaci systém je pod vysokým tlakom. Nemanipulujte s ním. Vzhľadom na použitie horľavých chladív spotrebič nainštalujte, manipulujte s ním a opravujte ho výhradne podľa pokynov. Informácie o likvidácii spotrebiča vám poskytne profesionálny zástupca alebo náš popredajný servis.

**Určené použitie**

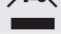
Tento spotrebič je určený na používanie v domácnostiach a podobných aplikáciách, ako

- kuchynské priestory pre personál v obchodoch, úradoch a iných pracovných prostrediach;
  - farmy a pre zákazníkov v hoteloch, motelloch a ďalších prostrediach rezidenčného typu,
  - prostredie typu prenocovania s raňajkami,
  - stravovacie služby a podobné, iné ako maloobchodné, priestory.
- S cieľom zaistiť bezpečné uchovávanie vína dodržujte tento návod na použitie.
- Podrobnosti o najvhodnejšej časti v priehradke spotrebiča, kde sa majú skladovať určité druhy potravín, s ohľadom na rozloženie teploty, ktorá môže byť prítomná v rôznych priehradkách spotrebiča, sú uvedené v druhej časti príručky.

Zmeny alebo úpravy spotrebiča nie sú povolené. Neúmyselné použitie môže spôsobiť nebezpečenstvo a stratu nárokov na záruku.

## Likvidácia



Symbol  na výrobku alebo jeho balení označuje, že sa s ním nesmie zaobchádzať ako s komunálnym odpadom. Namiesto toho treba spotrebič odovzdať na príslušnom zbernom mieste na recykláciu elektrických a elektronických zariadení. Zabezpečením správnej likvidácie tohto výrobku pomôžete zabrániť možným negatívnym vplyvom na životné prostredie a ľudské zdravie, ktoré by inak mohli byť spôsobené nevhodným postupom pri jeho likvidácii. Podrobnejšie informácie o recyklácii tohto výrobku získate na príslušnom miestnom úrade, v zberných surovinách alebo v predajni, kde ste si výrobok zakúpili..

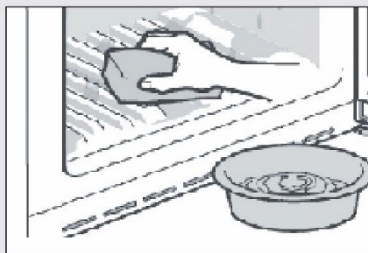
Vzhľadom na použitie horľavých plynov dajte spotrebič zlikvidovať profesionálnemu zástupcovi alebo v našom popredajnom servise.

## VAROVANIE!

### Nebezpečenstvo zadusenia!

Chladivá a plyny sa musia likvidovať profesionálnym spôsobom. Pred správnu likvidáciou sa uistite, že nie je poškodená hadica okruhu chladiva. Spotrebič odpojte od elektrickej siete. Odrežte a zlikvidujte napájací kábel. Vyberte podnosy a zásuvky, ako aj západku a tesnenie dverí, aby ste zabránili zatvoreniu detí a domácich miláčikov vo vnútri zariadenia.

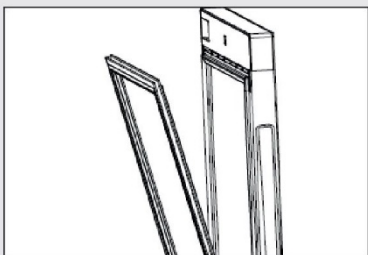
- ▶ **VAROVANIE:** Spotrebič pred čistením odpojte od elektrickej siete.
- ▶ Spotrebič nečistite tvrdými kefami, drôtenými kefami, čistiacim práškom, benzínom, amylacetátom, acetónom ani podobnými organickými roztokmi, kyselinami ani zásadami. Čistite pomocou špeciálneho čistiaceho prostriedku na chladničky, aby ste zabránili poškodeniu.
- ▶ Spotrebič čistite len v prípade, že je uskladnené malé množstvo vína alebo žiadne víno. Čistenie sa vyžaduje, len ak je spotrebič znečistený.
- ▶ Vnútro a skrinku spotrebiča čistite špongiou navlhčenou v teplej vode s prídavkom neutrálneho čistiaceho prostriedku
- ▶ Opláchnite čistou teplou vodou a osušte mäkkou handričkou.
- ▶ Žiadne časti spotrebiča neumývajte v umývačke riadu.
- ▶ Pred opätovným zapnutím spotrebiča počkajte najmenej 7 minút, pretože časté spúšťanie môže poškodiť kompresor.



### Čistenie tesnenia dverí:

- ▶ Tesnenia dverí musíte čistiť každé 3 mesiace, aby sa zabezpečilo ich správne utesnenie.

Ako je uvedené nižšie: Odstráňte: Uchopte tesnenie dverí a vytiahnite ho v smere šípky, aby ste postupne vybrali celé tesnenie dverí. Keфу namočte do vody alebo do liehu. Najskôr vyčistite drážku tesnenia dverí ťahaním kefy tam a späť. Potom utrite povrch tesnenia dverí utierkou namočenou vo vode alebo v bežnom alkohole. Nakoniec umyte tesnenie dverí a utrite ho dosucha čistou utierkou.



## **Inštalácia tesnenia dverí po vyčistení:**

Pred inštaláciou sa uistite, či na tesnení dverí nie je voda. Vložte tesnenie dverí do drážky a rukou ho pevne utláčajte zhora nadol, kým celé tesnenie dverí nezasuniete do drážky.

## **Čistenie poličiek:**

- ▶ Všetky poličky sa dajú vybrať a vyčistiť.
- ▶ Vyberte všetky fľaše.
- ▶ Každú poličku trochu nadvihnite a vyberte.
- ▶ Poličku vyčistite mäkkou handričkou.
- ▶ Pred opätovným vložením počkajte, kým poličky neuschnú.

Pred opätovným vložením počkajte, kým poličky neuschnú.

## **VAROVANIE:**

Po odpojení napájania počkajte najmenej 7 minút, kým ho znova pripojíte.

Skontrolujte príslušenstvo a literatúru v súlade s týmto zoznamom: bez izolácie.

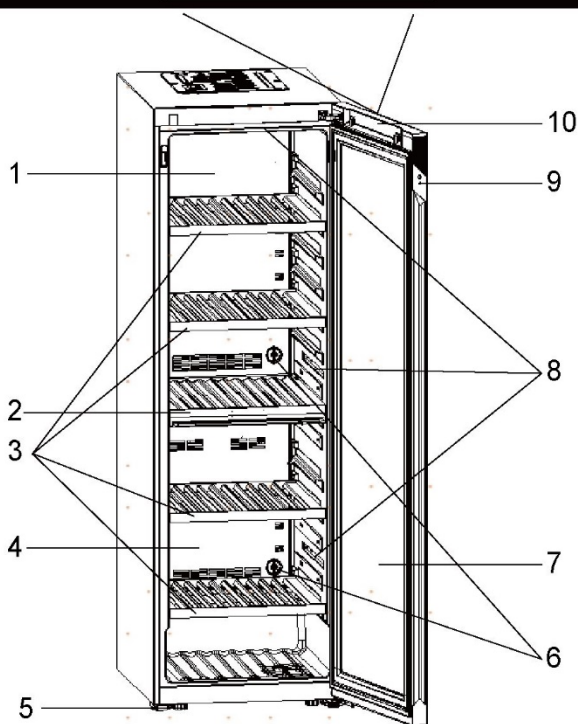
Názov	Príručka používateľa	Servisná karta	Polica	Kryt závesu	Energetický štítok	Kľúč
HWS247GGU1	1	1	5	1	1	2
HWS236GDGU1	1	1	4	1	1	2



## Poznámka

Z dôvodu technických zmien a rôznych modelov sa môžu niektoré ilustrácie v tejto príručke líšiť od vášho modelu.

### Obrázok spotrebiča



(HWS236GDGU1)

- |                               |                            |
|-------------------------------|----------------------------|
| 1. Horná prepážka vzduchovodu | 6. Filter s aktívnym uhlím |
| 2. Priečka (okrem HWS247GGU1) | 7. Dvere                   |
| 3. Polica                     | 8. LED žiarovka            |
| 4. Dolná prepážka vzduchovodu | 9. Zámka                   |
| 5. Nastavitelné nožičky       | 10. Displej                |

## 1. Vybalenie

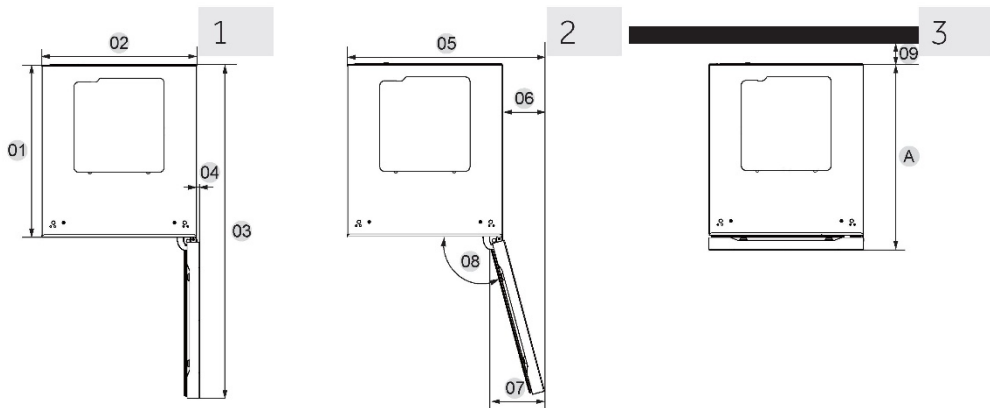
- Vyberte spotrebič z obalu.
- Odstráňte všetok obalový materiál vrátane penovej základne a všetkej lepiacej pásky, ktorá drží príslušenstvo.

## 2. Podmienky prostredia

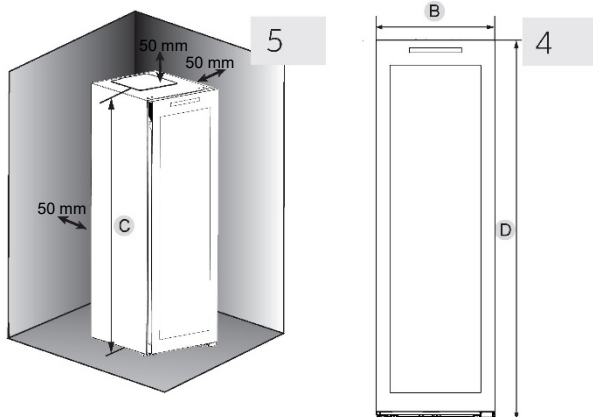
Teplota v miestnosti musí byť vždy medzi 10 °C až 38 °C, pretože môže mať vplyv na teplotu vnútri spotrebiča a na jeho spotrebu energie. Spotrebič neinštalujte v blízkosti iných spotrebičov vyžarujúcich teplo (rúry, chladničky) bez izolácie.

## 3. Požiadavky na priestor

Potrebný priestor na otvorenie dverí (obr. 1,2,3,4): Z bezpečnostných a energetických dôvodov musí byť dodržaná požadovaná vetracia vzdialenosť 50 mm vo všetkých smeroch (obr. 5).



Rozmery: mm	HWS247GGU1	HWS236DGU1
Hĺbka A	714	714
Šírka B	597	597
Výška C	1905	1905
Celková výška D	1900	1900
01	654	654
02	595	595
03	1273	1273
04	11	11
05	756	756
06	161	161
07	200	200
08	105°	105°
09	50	50





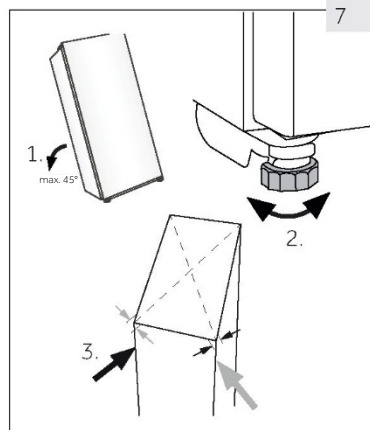
## VAROVANIE!

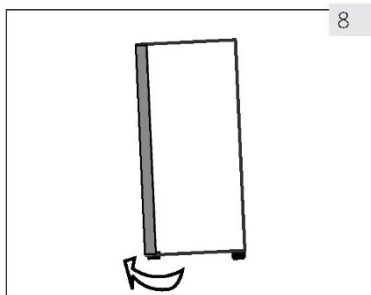
- ▶ Vetracie otvory v spotrebiči alebo v zabudovanej konštrukcii udržiajte bez prekážok. Tento chladiaci spotrebič nie je určený na použitie ako zabudovaný spotrebič

### 5. Zarovnanie spotrebiča

Spotrebič musí byť umiestnený na rovnom a pevnom povrchu.

1. Spotrebič nakloňte mierne dozadu (obr. 7).
2. Nastaviteľné predné nožičky nastavte na požadovanú úroveň otáčaním.
3. Stabilitu môžete skontrolovať úderom striedavo po uhlopriečkach. Mierne hojdanie by malo byť rovnaké v oboch smeroch. V opačnom prípade môže dôjsť k zdeformovaniu rámu; výsledkom je aj možné nedostatočné tesnenie dverí. Mierna tendencia naklonenia dozadu uľahčuje zatváranie dverí.





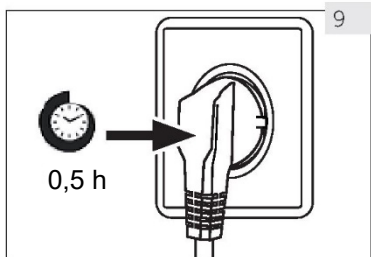
8

### 6. Jemné doladenie dverí

Zariadenie sa ľahšie zatvára, ak použijete vyrovnávacie nožičky vpredu:

Nastavitelné nožičky (obr. 8) otáčaním nastavte nahor alebo nadol:

- ▶ Otáčaním nožičiek v smere hodinových ručičiek sa spotrebič zdvihne.
- ▶ Otáčaním nožičiek proti smeru hodinových ručičiek sa zariadenie zníži.



9

### 7. Čakacia doba

Bezúdržbový mazací olej sa nachádza v puzdre kompresora. Ak je spotrebič naklonený, tento olej sa môže počas prepravy dostať do uzatvoreného systému rúrok. Pred pripojením spotrebiča ku zdroju napájania počkajte 0.5 hodín (obr. 9), aby olej stiekol späť do puzdra.

### 8. Elektrické zapojenie

**Pred každým pripojením skontrolujte, či:**

- ▶ napájanie, zásuvka a istenie zodpovedajú typovému štítku.
- ▶ je sieťová zásuvka uzemnená a nie je pripojený žiadny adaptér s viacerými zásuvkami ani predĺžovací kábel.
- ▶ sú zástrčka a zásuvka správne zapojené.

Zástrčku pripojte k správne nainštalovanej domácej zásuvke.



### VAROVANIE!

Poškodený napájací kábel musia vymeniť v zákazníckom servise, aby sa zabránilo nebezpečenstvu (pozrite záručný list).

### 9. Zmena smeru otvárania dverí

Pred pripojením spotrebiča ku zdroju napájania musíte skontrolovať, či nemusíte zmeniť smer otvárania dverí sprava (pri dodaní) doľava, ak to vyžaduje miesto inštalácie a využiteľnosť spotrebiča.

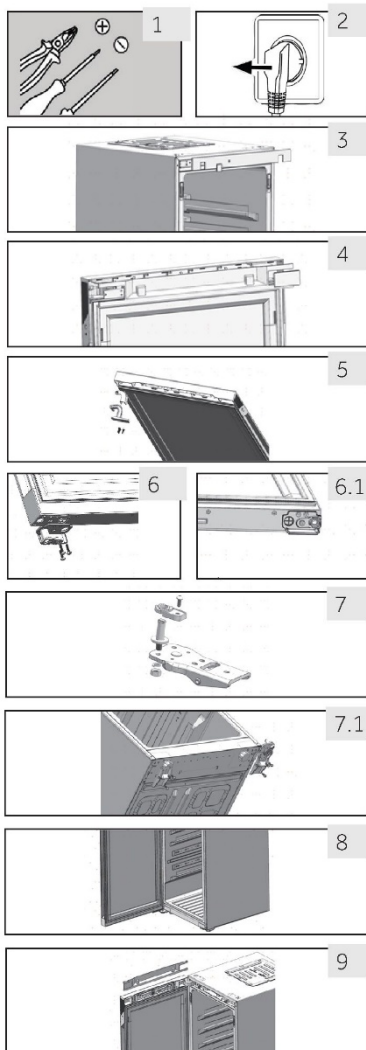


### VAROVANIE!

- ▶ Spotrebič je ťažký. Zmenu smeru zatvárania dverí musia vykonávať dve osoby.
- ▶ Pred akoukoľvek činnosťou najskôr odpojte spotrebič od elektrickej siete.
- ▶ Spotrebič nenakláňajte o viac než 45°, aby ste predišli poškodeniu chladiaceho systému.

## Montážne kroky

1. Zabezpečte si potrebné náradie.
2. Spotrebič odpojte od elektrického napájania.
3. Odstráňte horný kryt nosníka a malý kryt. Zmeňte polohu malého krytu zľava doprava.
4. Odstráňte kryt káblov a kryt lišty. Zmeňte polohu dekoratívneho krytu. Odstráňte čiernu gumovú zátku z ľavej kľúčovej diery na vnútornej strane tela dverí a namontujte ju na pravú kľúčovú dierku.
5. Odstráňte kryt závesu. Nástrojom odstráňte 3 skrutky a odstráňte rám dverí.
6. Nástrojom odstráňte 3 skrutky pod telom rámu dverí, vačku tela dverí a zarážky dverí, ľavý a pravý diel umožňujúci zmenu otvárania dverí je nainštalovaný na druhej strane tela rámu dverí.
7. Nástrojom odmontujte zostavu závesu, najprv odmontujte vačku závesu v zostave spodného závesu, vložte hriadeľ závesu do otvoru na pravú skrutku, namontujte. Pokračujte montážou dielu umožňujúceho zmenu smeru otvárania dverí s podpernou jednotkou otočného kolieska na pravej strane spotrebiča.
  - 7.1
8. Delo dverí treba namontovať vertikálne nadol na hriadeľ závesu.
9. Horný záves je vložený do otvoru hriadeľa tela rámu dverí, upevníte skrutkami a nainštalujete skrinku s káblami a kryt horného nosníka.



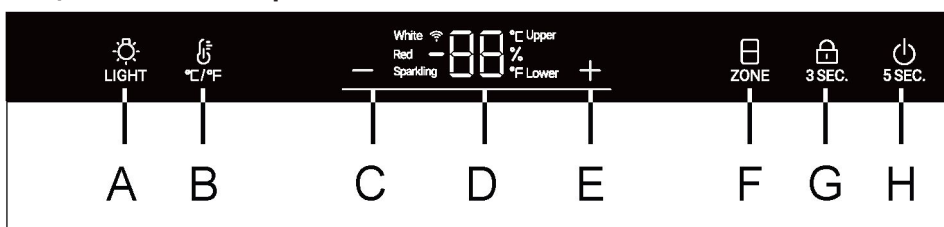
## 1. Pred prvým použitím

- ▶ Odstráňte všetok obalový materiál. Patrí sem penová základňa a všetka lepiaca páska, ktorá drží príslušenstvo vinotéky zvnútra aj zvonku. Odložte ich mimo dosahu detí a zneškodnite ich ekologicky.
- ▶ Pred vložením vína spotrebič umyte vodou a jemným čistiacim prostriedkom zvnútra aj zvonka.
- ▶ Po vyrovnaní spotrebiča do vodorovnej polohy a jeho vyčistení počkajte pred pripojením k elektrickej sieti minimálne 2 hodiny. Ak bola vaša vinotéka z nejakého dôvodu naklonená, počkajte 24 hodín a až potom ju zapojte. Pozrite časť INŠTALÁCIA.
- ▶ Po pripojení jednotky k elektrickej zásuvke ju pred vykonaním akýchkoľvek nastavení nechajte aspoň 30 minút bežať, aby sa aklimatizovala.
- ▶ Teplota sa automaticky nastaví na 12 °C. Ak je to potrebné, môžete tieto teploty zmeniť manuálne. Pozrite si časť TEPLOTA.

## 2. Dotykové tlačidlá

Tlačidlá na ovládacom paneli sú dotykové tlačidlá, ktoré reagujú na ľahký dotyk prsta.

## 3. Opis ovládacieho panela



A Tlačidlo vnútorného osvetlenia

B Tlačidlo zmeny °C /°F

C Tlačidlo nastavenia teploty: nadol

D Displej

E Tlačidlo nastavenia teploty: nahor

F Tlačidlo výberu teplotnej zóny

G Tlačidlo uzamknutia

H Vypínač

## 4. Funkcia automatického uzamknutia

V stave uzamknutia obrazovky dlhým stlačením tlačidla uzamknutia na 3 s sa na obrazovke zobrazí 3, 2 a 1, obrazovka sa odomkne a ikona uzamknutia je napoly rozsvietená. Ak neurobíte žiadny úkon, obrazovka sa uzamkne automaticky po 30 s. V stave uzamknutia obrazovky sa rozsvietia všetky ikony uzamknutia a tlačidlá na obrazovke displeja budú nefunkčné (okrem tlačidla osvetlenia);

## 5. Funkcia vypínača

Keď je obrazovka vypnutá, displej sa rozsvieti dotykom ľubovoľného tlačidla. Podržte stlačený vypínač, na obrazovke displeja sa zobrazí 5, 4, 3, 2 a 1 a napájanie celého spotrebiča sa vypne.

Keď je elektrické napájanie vypnuté, dlhým stlačením vypínača sa zobrazí 5, 4, 3, 2, 1.

Elektrické napájanie sa zapne.

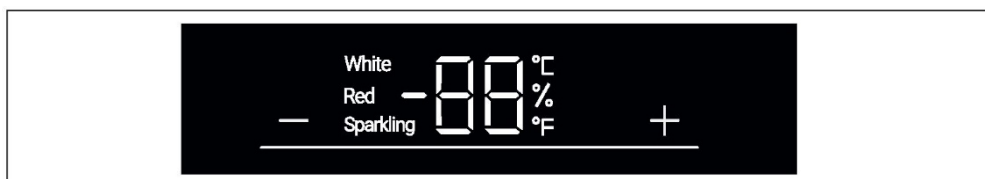
## 6. Nastavenie teploty



### Poznámka

#### Prednastavenia

- Po pripojení jednotky k elektrickej zásuvke ju pred vykonaním akýchkoľvek nastavení nechajte aspoň 30 minút v prevádzke, aby sa aklimatizovala.
- Keď sa spotrebič po odpojení od elektrického napájania znovu zapne, môže trvať niekoľko hodín, kým sa dosiahne správna teplota. Presný čas sa líši v závislosti od prostredia a nastavenia teploty.



Stlačením tlačidla alebo začne blikať displej. Stlačením tlačidla alebo nastavíte požadovanú teplotu. Rozsah nastavenia teploty: 5-20°C (41-68°F).

Po 3 sekundách od stlačenia sa teplota potvrdí.

## 7. Funkcia Mode (Režim) alebo Zone (Zóna)

Stlačte tlačidlo **MODE**. Teplotný spínač zmení nastavenie z teploty pre šumivé víno 8 °C alebo 47°F) na teplotu pre biele (12 °C alebo 54 °F) alebo červené víno (16 °C alebo 61°F) (pre HWS247GGU1)

V odomknutom stave svieti celá ikona . Ak je aktuálny displej v hornej teplotnej zóne, rozsvieti sa horná ikona a dolná ikona bude vypnutá. Ak v danom čase stlačíte tlačidlo , rozsvieti sa dolná ikona a horná zhasne.

(pre HWS236GGDU1)

### Odporúčané nastavenia teploty

Pre rôzne druhy vína sa odporúčajú nasledujúce teploty.

Červené víno	+ 13 °C až +20 °C (+55 °F až + 68 °C)	Šumivé víno Prosecco	+ 5 °C až +8 °C (+41 °F až +47 °F)
Biele víno	+ 9 °C až +12 °C (+48 °F až +54 °F)		

Ak víno skladujete dlhší čas, mali by ste ho skladovať pri teplote +10 °C až +12 °C (50 °F až + 54 °F).

## 8. Pohotovostný režim

Obrazovka displeja sa po 30 sekundách automaticky stlmí.

Rozsvieti sa automaticky po stlačení akéhokolvek tlačidla alebo po otvorení dverí.



## Poznámka Vplyvy na teploty

Teplota vo vnútri spotrebiča je ovplyvnená nasledujúcimi faktormi:

- ▶ Teplota okolitého prostredia
- ▶ Frekvencia otvárania dverí
- ▶ Množstvo skladovaných fliaš
- ▶ Umiestnenie spotrebiča

Východiskové nastavenie je 12 °C

Keď displej prestane blikať, vráti sa späť k zobrazovaniu aktuálnej teploty vo vinotéke. Dosiachnutie nastavenej teploty bude nejaký čas trvať.

## 9. Nastavenie režimu osvetlenia



Stlačte tlačidlo **LIGHT**. Po zapnutí osvetlenia sa svetlá v skrinke rozsvietia postupne.



Po opätovnom stlačení tlačidla **LIGHT** postupne zhasnú.

## 10. Funkcia °C/°F



Stlačením tlačidla **C/F** prepínate medzi stupňami Fahrenheita a Celzia.

## 11. Funkcia pamäte po vypnutí

Ak dôjde k výpadku prúdu, vinotéka automaticky uloží nastavenú teplotu. Po obnovení napájania bude pracovať na základe teploty nastavenej pred výpadkom napájania.

## 12. Funkcia kompenzácie nízkej teploty

Vinotéka má funkciu kompenzácie nízkej teploty, ktorá zaisťuje stabilitu teploty: Keď je okolitá teplota nižšia ako nastavená teplota, vinotéka automaticky aktivuje funkciu kompenzácie nízkej teploty a zohreje spotrebič. Keď teplota v spotrebiči dosiahne nastavenú teplotu, funkcia kompenzácie nízkej teploty sa automaticky vypne.

## 13. Alarm otvorenia dverí

Ak necháte dvere otvorené dlhšie ako 1 minútu, začne pípať bzučiak a bude zapnutý dovtedy, kým dvere nezatvoríte alebo nestlačíte ktorékoľvek tlačidlo na paneli displeja. Následne bzučiak prestane pípať.

## 14. Nastavenie režimu Wi-Fi

### KONEKTIVITA

#### PARAMETRE BEZDRÔTOVEJ SIETE

Technológia	Wi-Fi	Bluetooth
Norma	IEE 802.11 b/g/n	Bluetooth v4.2, BR/EDR, BLE
Frekvenčné pásmo (pásma) [MHz]	2401÷2483	2402÷2480
Maximálny výkon [mW] Pásmo [MHz]	100	10

### INFORMÁCIE O PRODUKTE

Ako aktivovať modul Wi-Fi:

Stlačte tlačidlo osvetlenia na 3 sekundy, aby ste aktivovali Wi-Fi

- Modul Wi-Fi sa zapne a začne blikať ikona Wi-Fi
- Ikona bude blikať, ak je vinotéka zaregistrovaná, ale Wi-Fi je vypnutá
- Ak je vinotéka zaregistrovaná a pripojená, ikona Wi-Fi ostane svietiť
- Ak chcete resetovať Wi-Fi, stlačte tlačidlo osvetlenia na 3 sekundy

### V REŽIME PÁROVANIA APLIKÁCIE

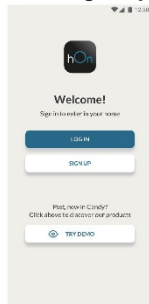
#### Krok 1

- Stiahnite si aplikáciu hOn z obchodov



#### Krok 2

- Prihláste sa alebo sa zaregistrujte



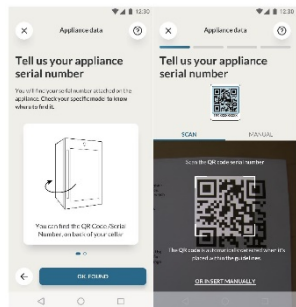
#### Krok 3

- Pridajte nový spotrebič a zo zoznamu vyberte vinotéku



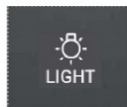
## Krok 4

- Naskenujte QR kód alebo manuálne zadajte sériové číslo



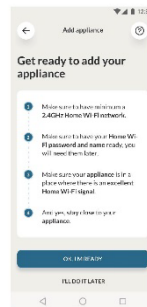
## Krok 5

- Aktivujte Wi-Fi stlačením tlačidla osvetlenia na produkte na 3 sekundy



## Krok 6

- Ikona Wi-Fi bude blikať, prebieha proces párovania
- Na dokončenie párovania budete mať 5 minút
- Po dokončení procesu prestane ikona Wi-Fi blikať a zostane nepretržite svietiť

**POZNÁMKA**



## Tipy na úsporu energie

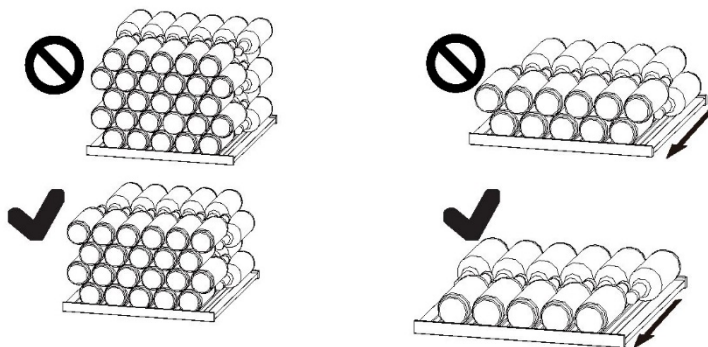
- ▶ Uistite sa, že je spotrebič správne vetraný (pozrite časť INŠTALÁCIA).
- ▶ Spotrebič neinštalujte na priame slnečné svetlo ani do blízkosti zdrojov tepla (napr. kachle, ohrievače).
- ▶ Zabráňte zbytočne nízkej teplote v spotrebiči. Čím je nižšia nastavená teplota v spotrebiči, tým vyššia bude spotreba energie.
- ▶ Dvere spotrebiča otvárajte čo najmenej a na čo najkratšie.
- ▶ Neprekračujte určené množstvo fliaš, aby ste nebránili prúdeniu vzduchu.
- ▶ Tesnenia dverí udržiavajte čisté, aby boli dvere vždy správne zatvorené.
- ▶ Konfigurácia s najvyššou úsporou energie vyžaduje, aby bola zásuvka, box na potraviny a police umiestnené v spotrebiči na mieste, v akom boli dodané z výroby a aby boli potraviny umiestnené bez blokovania výstupu vzduchu z potrubia.

## 1. Polica

1. Police sú navrhnuté pre jednoduché skladovanie a vyberanie vína zo spotrebiča. Môžete ich čistiť mäkkou handričkou.
2. Bežné fľaše s priemerom 76 mm sa dajú stohovať.
3. Fľaše s objemom jeden a pol litra môžete naukladať na dolnú policu.
4. Množstvo sa môže líšiť od zobrazeného počtu alebo fliaš, ak sú fľaše naukladané iným spôsobom.


### Rada na usporiadanie vašej vinotéky

Odporúčame, aby počet fliaš vína neprekročil štyri vrstvy na každej polici, a nosnosť polic na víno by nemala prekročiť 60 fliaš vnútri vinotéky. Skontrolujte, či sú police na víno úplne stabilné. Okrem toho sa uistite, že z polic nevychádza žiadna fľaša, aby ste zabránili nárazu fliaš do sklenených dverí pri zatváraní.



## 2. Osvetlenie

Interiérové LED osvetlenie sa rozsvieti po otvorení dverí. Ak chcete zapnúť osvetlenie,

keď sú dvere zatvorené, dotknite sa tlačidla  LIGHT. Ak chcete vypnúť svetlá, dotknite sa tlačidla ešte raz. V záujme zvýšenia energetickej účinnosti by sa mali svetlá vypnúť, pokiaľ si vinotéku práve neprezeráte.

## 3. Uzamknutie

Ak chcete vinotéku uzamknúť, zatvorte dvere a vsuňte kľúč do zámky:

- ▶ Dvere uzamknete otočením kľúča v smere hodinových ručičiek.
- ▶ Dvere odomknete otočením kľúča proti smeru hodinových ručičiek.

## 1. Odmrazovanie

Odmrazovanie vinotéky sa vykonáva automaticky; nie je potrebná žiadna manuálna činnosť.

## 2. Výmena LED žiarovky

Osvetlenie využíva ako zdroj svetla LED, ktoré sa vyznačujú nízkou spotrebou energie a dlhou životnosťou. Ak sa vyskytnú nejaké abnormality, kontaktujte zákaznícky servis. Pozrite časť ZÁKAZNÍCKY SERVIS.



## VAROVANIE!

LED žiarovku nevymieňajte sami. Výmenu musí vykonať iba výrobca alebo autorizovaný servisný zástupca.

### Parametre LED žiarovky:

Napätie 12 V

Maximálny výkon: 18 W

## 3. Dlhodobé nepoužívanie

Odpojte napájací kábel.

Vyčistite spotrebič a tesnenie dverí podľa vyššie uvedeného popisu.

Dvere nechajte otvorené, aby sa vo vnútri nevytvárali nepríjemné pachy.

## 4. Premiestňovanie spotrebiča

1. Vyberte všetky fľaše a odpojte spotrebič zo zásuvky elektrickej siete.

2. Police a ďalšie pohyblivé diely vo vinotéke zaistíte lepiacou páskou.

3. Vinotéku nenakláňajte o viac ako 45°, aby ste predišli poškodeniu chladiaceho systému.

## 5. Výmena vzduchu s filtrom s aktívnym uhlím

Spôsob, akým vína naďalej zrejú, závisí od okolitých podmienok. Pre zachovanie vína je preto rozhodujúca kvalita vzduchu. V spodnej časti zadnej steny spotrebiča je namontovaný filter s aktívnym uhlím, aby zostal prechádzajúci vzduch v optimálnej kvalite.



## Poznámka

Odporúčame vám, aby ste filter menili raz ročne. Filtre môžete zakúpiť u svojho predajcu.

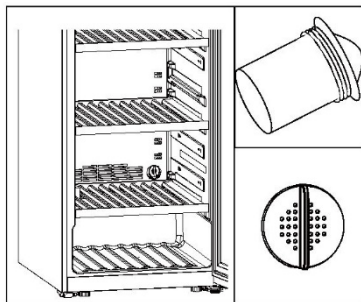
### Výmena filtra:

Uchopte filter za rukoväť. Otočte ho doľava a vyberte.

### Vkladanie filtra:

Vložte ho s rukoväťou vo vertikálnej polohe.

Otočte ho doprava a vložte.



Mnoho vyskytujúcich sa problémov môžete vyriešiť sami bez osobitných odborných znalostí. V prípade problému skontrolujte všetky zobrazené možnosti a pred kontaktovaním popredajného servisu postupujte podľa nasledujúcich pokynov. Pozrite časť ZÁKAZNÍCKY SERVIS.

### **VAROVANIE!**

- ▶ Pred údržbou spotrebič vypnite a vyťahnite zástrčku zo zásuvky.
- ▶ Údržbu elektrického zariadenia môže vykonávať iba kvalifikovaný elektrikár, pretože neodborné opravy môžu spôsobiť značné následné škody.
- ▶ Poškodený prívod môže v záujme eliminácie akéhokoľvek rizika vymeniť len výrobca, jeho servisný zástupca alebo rovnako kvalifikovaná osoba.

Kód chyby	Príčina	Riešenie
L2	Alarm nízkej teploty, keď je teplota ovládacieho snímača príliš nízka;	<ol style="list-style-type: none"> <li>1. Skontrolujte teplotu okolia.</li> <li>2. Skontrolujte konektor kompresora.</li> <li>3. Skontrolujte odpor snímača regulácie teploty.</li> </ol>
H1	Keď je teplota ovládacieho snímača príliš vysoká, na displeji sa zobrazí alarm vysokej teploty;	<ol style="list-style-type: none"> <li>1. Skontrolujte konektor ovládacej dosky alebo panela displeja.</li> <li>2. Skontrolujte odpor a napätie ventilátora.</li> <li>3. Skontrolujte ventilátor a konektor kompresora.</li> </ol>

Problém	Možná príčina	Možné riešenie
Kompresor nefunguje.	<ul style="list-style-type: none"> <li>• Zástrčka nie je vsunutá do zásuvky.</li> </ul>	<ul style="list-style-type: none"> <li>• Vsuňte zástrčku do sieťovej zásuvky.</li> </ul>
Spotrebič sa zapína často alebo ostáva zapnutý príliš dlho.	<ul style="list-style-type: none"> <li>• Príliš vysoká vonkajšia teplota.</li> <li>• Spotrebič bol dlhšie vypnutý.</li> <li>• Zatvorené dvere spotrebiča netesnia dobre.</li> <li>• Dvere boli otvorené príliš často alebo príliš dlho.</li> <li>• Tesnenia dverí sú špinavé, opotrebované, popraskané alebo nezarovnané.</li> <li>• Nie je zabezpečené požadované prúdenie vzduchu.</li> <li>• Nastavená teplota je príliš nízka.</li> </ul>	<ul style="list-style-type: none"> <li>• V takom prípade je normálne, že spotrebič beží dlhšie.</li> <li>• Zvyčajne chvíľu trvá, kým spotrebič úplne vychladne.</li> <li>• Zatvorte dvere a uistite sa, že je spotrebič umiestnený na rovnom povrchu a že sa v ňom nenachádzajú potraviny alebo nádoba, ktoré by blokovali dvere.</li> <li>• Neotvárajte dvere príliš často.</li> <li>• Vyčistite tesnenie dverí alebo ho dajte vymeniť v zákazníckom servise.</li> <li>• Zaisťte dostatočnú ventiláciu.</li> <li>• Problém sa vyrieši sám, keď sa dosiahne požadovaná teplota.</li> </ul>
Vnútro vinotéky je špinavé a/alebo zapácha.	<ul style="list-style-type: none"> <li>• Vnútro vinotéky je potrebné vyčistiť.</li> </ul>	<ul style="list-style-type: none"> <li>• Vyčistite vnútro vinotéky.</li> </ul>
V spotrebiči nie je dostatočne nízka teplota.	<ul style="list-style-type: none"> <li>• Nastavená teplota je príliš vysoká.</li> <li>• Nedávno ste vložili ďalšie fľaše.</li> <li>• Zatvorené dvere spotrebiča netesnia dobre.</li> <li>• Dvere boli otvorené príliš často alebo príliš dlho.</li> <li>• Tesnenia dverí sú špinavé, opotrebované, popraskané alebo nezarovnané.</li> </ul>	<ul style="list-style-type: none"> <li>• Resetujte teplotu.</li> <li>• Nechajte uplynúť určitú dobu, aby nedávno pridané fľaše dosiahli požadovanú teplotu.</li> <li>• Zatvorte dvere.</li> <li>• Neotvárajte dvere príliš často.</li> <li>• Vyčistite tesnenie dverí alebo ho dajte vymeniť v zákazníckom servise.</li> </ul>
V spotrebiči je príliš nízka teplota.	<ul style="list-style-type: none"> <li>• Nastavená teplota je príliš nízka.</li> </ul>	<ul style="list-style-type: none"> <li>• Resetujte teplotu.</li> </ul>

Problém	Možná príčina	Možné riešenie
Vytváranie kondenzátu na vnútornej strane chladiaceho priestoru.	<ul style="list-style-type: none"> <li>Ovzdušie je príliš teplé a príliš vlhké.</li> <li>Zatvorené dvere spotrebiča netesnia dobre.</li> <li>Dvere boli otvorené príliš často alebo príliš dlho.</li> </ul>	<ul style="list-style-type: none"> <li>Zvýšte teplotu.</li> <li>Zatvorte dvere.</li> <li>Neotvárajte dvere/zásuvku príliš často.</li> </ul>
Na vonkajšom povrchu vinotéky sa vytvára kondenzát.	<ul style="list-style-type: none"> <li>Príliš teplé a príliš vlhké prostredie.</li> <li>Dvere nie sú tesne zatvorené. Dochádza ku kondenzácii chladného vzduchu v spotrebiči a teplého vzduchu mimo neho.</li> </ul>	<ul style="list-style-type: none"> <li>Vo vlhkom podnebí je to normálne a zmení sa to po poklese vlhkosti.</li> <li>Dbajte na to, aby boli dvere zavreté tesne a aby tesnenie správne tesnilo.</li> </ul>
Spotrebič vydáva neobvyklé zvuky	<ul style="list-style-type: none"> <li>Spotrebič nie je umiestnený na rovnom povrchu.</li> <li>Spotrebič sa dotýka nejakého predmetu v jeho okolí.</li> </ul>	<ul style="list-style-type: none"> <li>Nastavte nožičky a vyrovnejte spotrebič do vodorovnej polohy.</li> <li>Odstráňte predmety v okolí spotrebiča.</li> </ul>
Počuť slabý zvuk podobný prúdeniu vody.	<ul style="list-style-type: none"> <li>Je to normálne</li> </ul>	<ul style="list-style-type: none"> <li>-</li> </ul>
Nefunguje osvetlenie interiéru alebo chladiaci systém.	<ul style="list-style-type: none"> <li>Zástrčka nie je vsunutá do zásuvky elektrickej siete.</li> <li>Porucha zdroja napájania.</li> <li>LED žiarovka nie je v poriadku.</li> </ul>	<ul style="list-style-type: none"> <li>Vsuňte zástrčku do sieťovej zásuvky.</li> <li>Skontrolujte elektrické napájanie v miestnosti. Zavolajte miestnu elektrárenskú spoločnosť.</li> <li>Kontaktujte servis kvôli výmene.</li> </ul>
Boky chladiča a lišty dverí sa zahrievajú.	<ul style="list-style-type: none"> <li>Je to normálne.</li> </ul>	<ul style="list-style-type: none"> <li>-</li> </ul>
Dvere sa nezatvárajú správne	<ul style="list-style-type: none"> <li>Spotrebič nie je vyrovnaný.</li> <li>Dvere sú zablokované.</li> </ul>	<ul style="list-style-type: none"> <li>Vyrovnejte spotrebič pomocou vyrovnávacích nožičiek.</li> <li>Skontrolujte blokovania, ako sú napríklad fľaše alebo poličky.</li> </ul>

Ak chcete kontaktovať technickú pomoc, navštívte našu webovú stránku:

<https://corporate.haier-europe.com/en/>

V sekcii „webová stránka“ vyberte značku svojho produktu a svoju krajinu. Stránka vás presmeruje na príslušnú webovú stránku, kde nájdete telefónne číslo a formulár pre kontakt na technický servis.

Špecifikácie výrobku podľa nariadenia EÚ č. 2019/2016

Značka	Haier	Haier
Názov/identifikačný kód modelu	HWS247GGU1	HWS236GDGU1
Kategória	Vinotéka	Vinotéka
Trieda energetickej účinnosti	G	G
Ročná spotreba energie (kWh/rok) <sup>1)</sup>	184	184
Skladovací objem (l)	450	448
Klimatická trieda: Tento spotrebič je určený na použitie pri teplote okolitého prostredia v rozsahu 10 °C až 38 °C.	SN N ST	SN N ST
Emisie akustického hluku prenášaného vzduchom (db(A) re 1pW)	C(37)	C(37)
Typ spotrebiča	Voľne stojaci	Voľne stojaci
Tento spotrebič je určený výhradne na uskladnenie vína.	Áno	Áno
Rozmery (Š/H/V v mm)	597/714/1900	597/714/1900

Vysvetlenie:

1) Na základe výsledkov štandardného testovania po dobu 24 hodín. Skutočná spotreba energie závisí od skutočného prostredia, množstva naložených fliaš, nastavenej teploty, otvárania a zatvárania dverí atď.

2) Menovitá spotreba energie je hodnota získaná podľa štandardného testovania, keď vinotéka nezapne vnútorné svetlo.

- rozšírené mierne pásmo: „tento chladiaci spotrebič je určený na použitie pri teplotách okolia od 10 °C do 32 °C“;
- mierne pásmo: „tento chladiaci spotrebič je určený na použitie pri teplotách okolia od 16 °C do 32 °C“;
- subtropické pásmo: „tento chladiaci spotrebič je určený na použitie pri teplotách okolia od 16 °C do 38 °C“;
- tropické pásmo: „tento chladiaci spotrebič je určený na použitie pri teplotách okolia od 16 °C do 43 °C“;

## Normy a smernice

Tento výrobok spĺňa požiadavky všetkých príslušných smerníc ES s príslušnými harmonizovanými normami, ktoré ustanovujú označenie CE.

Odporúčame vám náš zákaznícky servis Haier a použitie originálnych náhradných dielov.

Ak máte problém so svojím spotrebičom, najskôr si pozrite časť RIEŠENIE PROBLÉMOV.

Ak tam nenájdete riešenie, kontaktujte

- ▶ svojho miestneho predajcu alebo
- ▶ Servis a podporu na [www.haier.com](http://www.haier.com), kde nájdete telefónne čísla a najčastejšie otázky, a kde môžete aktivovať uplatnenie servisu.

Ak chcete kontaktovať náš servis, uistite sa, že máte k dispozícii nasledujúce údaje.

Informácie nájdete na typovom štítku.

Model \_\_\_\_\_ Sériové č. \_\_\_\_\_

V prípade záruky skontrolujte aj záručný list dodaný s výrobkom.

Ak máte všeobecné obchodné otázky, obráťte sa na naše nasledovné adresy v Európe:

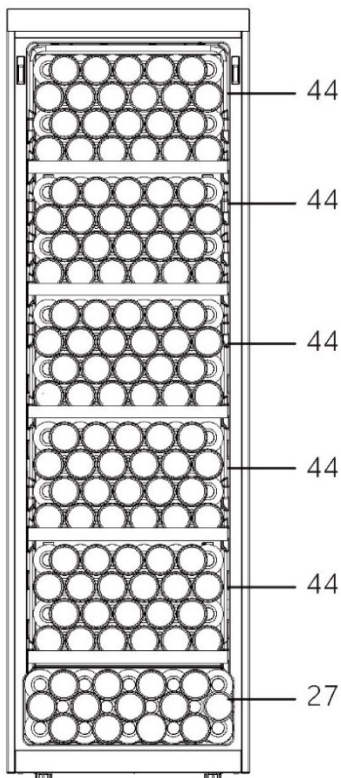
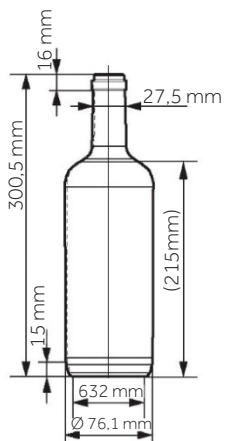
#### Európske adresy Haier

Krajina*	Poštová adresa	Krajina	Poštová adresa
<b>Taliansko</b>	Haier Europe Trading SRL Via De Cristoforis, 12 21100 Verese TALIANSKO	<b>Francúzsko</b>	Haier Europe Trading SRL Via De Cristoforis, 12 21100 Verese TALIANSKO
<b>Španielsko</b> <b>Portugalsko</b>	Haier Iberia SL Pg. Garcia Faria, 49-51 08019 Barcelona ŠPANIELSKO	<b>Belgicko-FR</b> <b>Belgicko-NL</b> <b>Holandsko</b> <b>Luxembursko</b>	Haier Benelux SA Anderlecht Route de Lennik 451 BELGICKO
<b>Nemecko</b> <b>Rakúsko</b>	Haier Deutschland GmbH Hewlett-Packard-Str. 4 D-61352 Bad Homburg NEMECKO	<b>Poľsko</b> <b>Česko</b> <b>Maďarsko</b> <b>Grécko</b> <b>Rumunsko</b> <b>Rusko</b>	Haier Poland Sp. zo.o. Al. Jerozolimskie 181B 02-222 Warszawa POLSKO
<b>Spojené kráľovstvo</b>	Haier Appliances UK Co. Ltd. One Crown Square Church Street East Woking, Surrey, GU21 6HR UK		

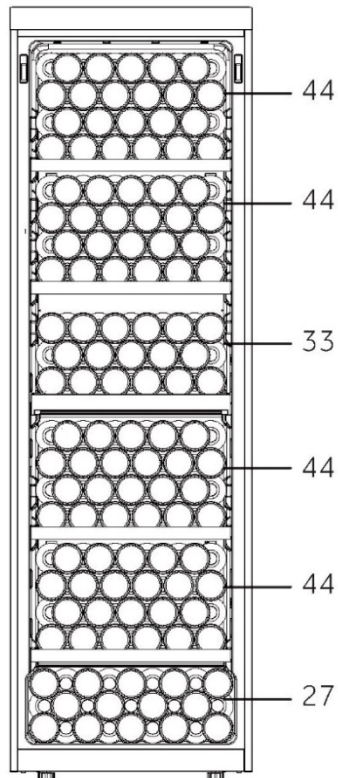
**DOSTUPNOSŤ NÁHRADNÝCH DIELOV:** Termostaty, snímače teploty, dosky plošných spojov a svetelné zdroje sú k dispozícii minimálne sedem rokov po uvedení poslednej jednotky modelu na trh. Kľučky, závesy dverí, podnosy a koše minimálne na obdobie siedmich rokov a tesnenia dverí na minimálne 10 rokov po uvedení poslednej jednotky modelu na trh.

**Minimálna záruka je:** 2 roky pre krajiny EÚ, 3 roky pre Turecko, 1 rok pre Spojené kráľovstvo, 1 rok pre Rusko, 3 roky pre Švédsko, 2 roky pre Srbsko, 5 rokov pre Nórsko, 1 rok pre Maroko, 6 mesiacov pre Alžírsko, Tunisko nevyžaduje žiadnu zákonnú záruku.

**Ďalšie informácie o produkte nájdete na stránkach <https://eprel.ec.europa.eu/> alebo si oskenujte QR kód na štítku s údajmi o elektrickej spotrebe spotrebiča**



**HWS247GGU1**



**HWS236GDGU1**



