

Brandt



INSTRUCTION MANUAL EN

Dishwasher

DSF15624X



Read this Manual

Dear Customer,

- Please carefully read this manual before using the dishwasher, it will help you use and maintain the dishwasher properly.
- Keep this manual for future reference.
- Pass it on to any subsequent owner of the appliance.

This manual contains sections on safety Instructions, Operating Instructions, Installation Instructions and Troubleshooting Tips, etc.



Before Calling for Service

- To review the section on troubleshooting Tips will help you to solve some common problems by yourself .
- If you can not solve the problems by yourself , please ask for the help of professional technicians.



NOTE:

The manufacturer, following a policy of constant development and updating of the product, may make modifications without giving prior notice.

If lost or out-of-date, you can receive a new user manual from the manufacturer or responsible vendor.

1) Safety Instructions.....	1-4
2) Quick user guide.....	5
3) Operating Instructions.....	6
Control Panel.....	6
Dishwasher Features.....	6
4) Prior to first time use.....	7
A. Water Softener.....	7
B. Loading the Salt into the Softener.....	8
C. Filling the Rinse Aid Dispenser.....	8
D. Function of Detergent.....	9
5) Preparing and loading dishes.....	12
Recommendations for loading and unloading the dishwasher.....	12
Standard loading pattern.....	13
6) Starting a washing program.....	14
Wash Cycle Table.....	14
Turning on the Appliance.....	14
Changing the Program mid-cycle.....	15
At the end of the Wash Cycle.....	15
7) Maintenance and cleaning.....	16
Filter System.....	16
Caring for the Dishwasher.....	17
8) Installation Instruction.....	18
Positioning the Appliance.....	18
About Power Connection.....	18
Water connection.....	19
Start of dishwasher.....	20
9) Troubleshooting Tips.....	21
Before calling for service.....	21
Error codes	22
Technical information.....	23

Loading the baskets

1. IMPORTANT SAFETY INFORMATION



WARNING! When using your dishwasher, follow the precautions listed below:

- This appliance is intended to be used in household and similar applications such as:
 - staff kitchen areas in shops, offices and other working environments;
 - farm houses;
 - by clients in hotels, motels and other residential type environments;
 - bed and breakfast type environments.
- This appliance can be used by children aged from 8 years and above and persons with reduced physical, sensory or mental capabilities or lack of experience and knowledge if they have been given supervision or instruction concerning use of the appliance in a safe way and understand the hazards involved. Children shall not play with the appliance. Cleaning and user maintenance shall not be done by children without supervision. (For EN60335-1)
- Packaging material could be dangerous for children!
- This appliance is for indoor household use only.
- To protect against the risk of electrical shock, do not immerse the unit, cord or plug in water or other liquid.
- Please unplug before cleaning and performing maintenance on the appliance.
- Use a soft cloth moistened with mild soap, and then use a dry cloth to wipe it again.



EARTHING INSTRUCTIONS

- This appliance must be earthed. In the event of a malfunction or breakdown, earthing will reduce the risk of an electric shock by providing a path of least resistance of electric current. This appliance is equipped with an earthing conductor plug.
- The plug must be plugged into an appropriate outlet that is installed and earthed in accordance with all local codes and ordinances.
- Improper connection of the equipment-earthing conductor can result in the risk of an electric shock.
- Check with a qualified electrician or service representative if you are in doubt whether the appliance is properly grounded.
- Do not modify the plug provided with the appliance; If it does not fit the outlet.
- Have a proper outlet installed by a qualified electrician.
- Do not abuse, sit on, or stand on the door or dish rack of the dishwasher.
- Do not operate your dishwasher unless all enclosure panels are properly in place.
- Open the door very carefully if the dishwasher is operating, there is a risk of water squirting out.
- Do not place any heavy objects on or stand on the door when it is open. The appliance could tip forward.
- When loading items to be washed:
 - 1) Locate sharp items so that they are not likely to damage the door seal;

- 2) Warning: Knives and other utensils with sharp points must be loaded in the basket with their points facing down or placed in a horizontal position.
- Check that the detergent powder is empty after completion of the wash cycle.
 - Do not wash plastic items unless they are marked “dishwasher safe” or the equivalent.
 - For unmarked plastic items not so marked, check the manufacturer's recommendations.
 - Use only detergent and rinse agents recommended for use in an automatic dishwasher.
 - Never use soap, laundry detergent, or hand washing detergent in your dishwasher.
 - The door should not be left open, since this could increase the risk of tripping.
 - If the supply cord is damaged, it must be replaced by the manufacturer or its service agent or a similarly qualified person in order to avoid a hazard.
 - During installation, the power supply must not be excessively or dangerously bent or flattened.
 - Do not tamper with controls.
 - The appliance needs to be connected to the main water valve using new hose sets. Old sets should not be reused.
 - The maximum number of place settings to be washed is 15.
 - The maximum permissible inlet water pressure is 1MPa.
 - The minimum permissible inlet water pressure is 0.04MPa.

Disposal

- This appliance's packaging materials are recyclable. Dispose of the packaging into a suitable waste collection container to recycle it.
- It is prohibited to dispose of this appliance as household waste.



Correct Disposal of this product: this symbol on the product or in its packing indicates that this product may not be treated as household waste. Instead, it should be taken to the appropriate waste collection point for the recycling of electrical and electronic equipment. By ensuring this product is disposed of correctly, you will help prevent potential negative consequences for the environment and human health, which could otherwise be caused by the inappropriate waste handling of this product.

For more detailed information about the recycling of this product, please contact your local council your household waste disposal service, or the shop where you purchased the product.

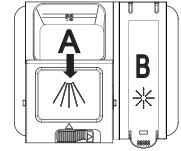
WARNING!

- For disposing of package and the appliance please go to a recycling centre. Therefore cut off the power supply cable and make the door closing device unusable.
- Cardboard packaging is manufactured from recycled paper and should be disposed in the waste paper collection for recycling.
- By ensuring this product is disposed of correctly, you will help prevent potential negative consequences for the environment and human health, which could otherwise be caused by inappropriate waste handling of this product.
- For more detailed information about recycling of this product, please contact your local city office and your household waste disposal service.
- **DISPOSAL:** Do not dispose this product as unsorted municipal waste. Collection of such waste separately for special treatment is necessary.

2.Quick user guide

For detailed operating method read the corresponding content on the instruction manual.

Switch on the appliance	Press the On/Off button to switch on the appliance, Open the door.
Fill the detergent dispenser	Open the flap(marked with A), fill in the main wash detergent , and then close the flap; Pre wash detergent drop into the tank directly; (Follow the user instructions!)
Check the rinse aid level	Refill the rinse aid through the hole below the cap(marked with B) If you need .
Check the regeneration salt level	(On models with water softener system only.) Electric indicator on control panel (if provided). If there is no salt warning light in the control panel (for some models), you can estimate when to fill the salt into the softener by the number of cycles the dishwasher has run.
Load the baskets	To load the baskets, refer to the section entitled “Loading the Dishwasher Baskets” .
Select a programme	Close the door, press the program button until the selected programme lights up. (See the section entitled “Operation instruction”)
Running the dishwasher	Turn on the water tap and press the Start/Pause Button. The machine will start working after about 10 seconds.
<ul style="list-style-type: none"> • Changing the programme 	<ul style="list-style-type: none"> • 1. A running cycle can only be modified if it has been running for a short time. Otherwise the detergent may have already been released and the water already drained. If this is the case, the detergent dispenser must be refilled. • 2. Press the Start/Pause Button to stop washing , Then press programme button for more than 3 seconds, the programme will cancel. • 3. Press the program button to select a new programme. • 4. Press the Start/Pause Button, the dishwasher will run after 10 seconds.
<ul style="list-style-type: none"> • Adding forgotten dishes in the dishwasher. 	<ul style="list-style-type: none"> • 1.Press the Start/Pause Button to stop the washing. • 2.Open the door a little . • 3.After the spray arms stop working, you can open the door completely. • 4.Add forgotten dishes. • 5.Close the door • 6.Press the Start/Pause Button, the dishwasher will run after 10 seconds.
<ul style="list-style-type: none"> • If the appliance is switched off during a wash cycle. 	<ul style="list-style-type: none"> • If the appliance is switched off during a wash cycle, when switched on again, please re-select the washing cycle and operate the dishwasher according to the original Power-on state).
Switch off the appliance	When the working cycle has finished, the buzzer of the dishwasher will sound 8 times, then stop. Turn off the appliance using the On/Off Button,to turn off the appliance
Turn off the water tap, unload the baskets	Warning: wait a few minutes (about 15 minutes) before unloading the dishwasher to avoid handling the dishes and utensils while they are still hot and more susceptible to break. The dishes will also dry better. First start unloading the lower basketed.



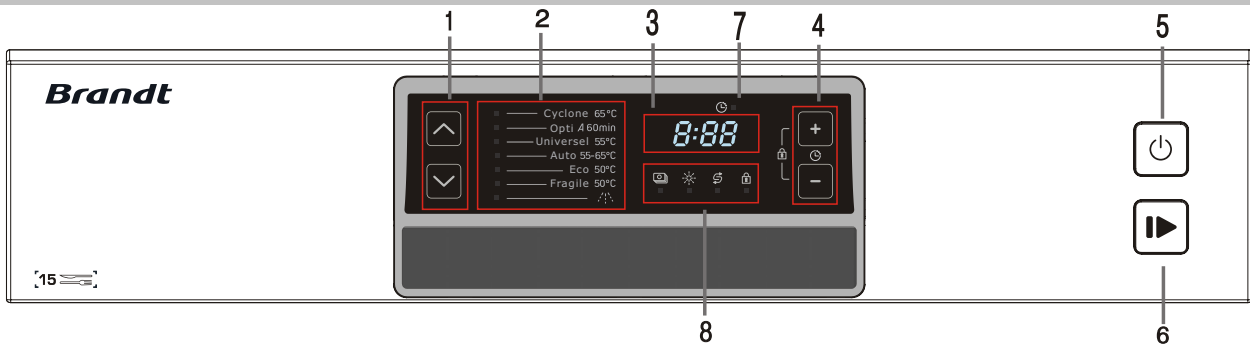
⚠ WARNING!

Open the door carefully.
Look out for hot steam
when opening the door!

3. Operation Instruction

IMPORTANT To get the best performance from your dishwasher, read all operating instructions before using it for the first time.

Control Panel



1. Program Button :Press the button to select a wash Program.

Press the two buttons for 3 seconds simultaneously to select the all in one function. Press them again to cancel.
(The "All in one" function is selected by default for Intensive, One hour, Universal and Glass programs)

2. Program indicators

3. Display screen: to show the remaining time and the state(running state, delay time etc)

4. Delay button: Press the boutons to delay de start of the wash cycle.Press + and - buttons simoultaneously for 3seconds to lock the program, press them again to cancel.

5. On/Off Button: To turn on/off the power supply.

6. Start /Pause button: To start the selected washing program or pause the washing program when the machine is working.

7. Delay indicator ,

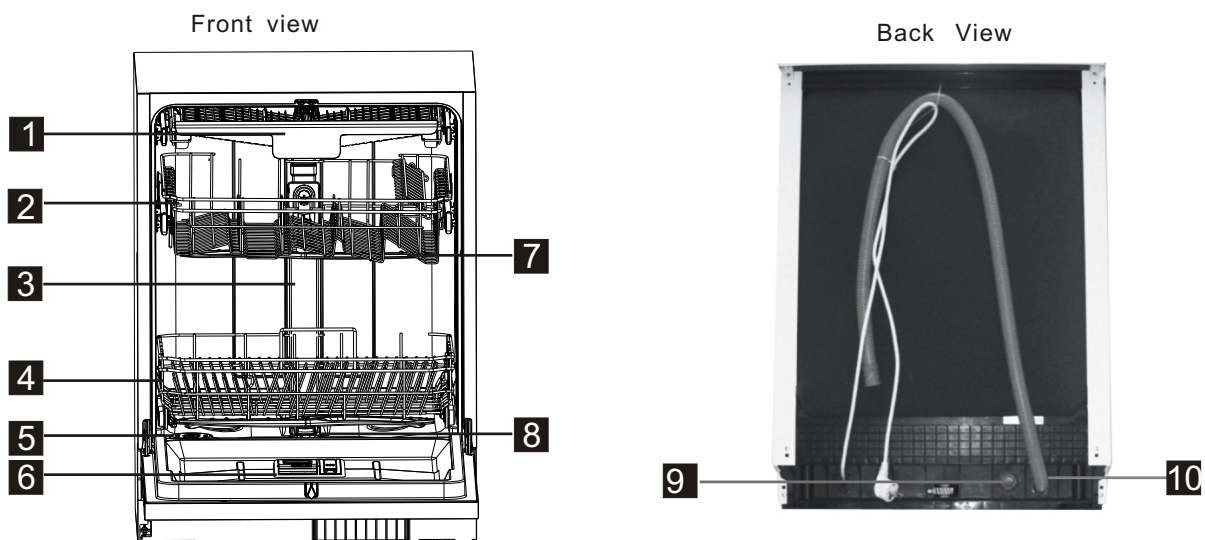
8. Display indicator:

- All in one function indicator:
- Rinse Aid indicator: Indicates when the dispenser needs to be refilled.
- Add salt indicator: Indicates when the dispenser needs to be refilled.
- Child lock indicator:

Warning!

- Manual pre-rinsing of tableware items leads to increased water and energy consumption and is not recommended
- Washing tableware in a household dishwasher usually consumes less energy and water in the use phase than hand dishwashing when the household dishwasher is used according to the manufacturer's instructions.

Dishwasher Features



- | | | | |
|-----------------------|-------------------------|--------------------------|-------------------------------|
| 1 Cutlery rack | 4 Lower basket | 7 Spray arms | 9 Inlet pipe connector |
| 2 Upper basket | 5 Salt container | 8 Filter assembly | 10 Drain pipe |
| 3 Inner pipe | 6 Dispenser | | |

4. Prior to first time use

Before using your dishwasher for the first time:

- A. Set the water softener
- B. Add 1.5 kg dishwasher salt and then full fill the salt container with water
- C. Fill the rinse aid dispenser
- D. Fill in detergent

A. Water Softener

The water softener must be set manually, using the water hardness dial.

The water softener is designed to remove minerals and salts from the water, which would have a detrimental or adverse effect on the operation of the appliance.

The more minerals there are, the harder your water is

The softener should be adjusted according to the hardness of the water in your area. Your local Water Authority can advise you on the hardness of the water in your area.

Adjusting Salt Consumption

The dishwasher is designed to allow for adjustment in the amount of salt consumed based on the hardness of the water used. This is intended to optimise and customise the level of salt consumption.

Please follow the steps below for adjustment in salt consumption.

1. Close the door and switch on the appliance
2. Press the Program^ button for more than 5 seconds to start the water softener set model within 60 seconds after the appliance was switched on
3. Press the Program^ button to select the proper set according to your local environment, the sets will change in the following sequence: H3->H4->H5->H6->H1->H2->H3
4. Without operation in 5 seconds or press the Power button to complete the setup and exit the setup mode.

WATER HARDNESS				Selector Position	Salt consumption (gram/cycle)
°dH	°fH	°Clarke	mmol/l		
0~5	0~9	0~6	0~0.94	H1	0
6-11	10-20	7-14	1.0-2.0	H2	9
12-17	21-30	15-21	2.1-3.0	H3	12
18-22	31-40	22-28	3.1-4.0	H4	20
23-34	41-60	29-42	4.1-6.0	H5	30
35-55	61-98	43-69	6.1-9.8	H6	60

Note:1

1 dH=1.25 Clarke=1.78 fH=0.178mmol/l

DH: German degree

fH: French degree

Clark: British degree

Note:2

The manufactory setting: H3

Contact your local water board for information on the hardness of your water supply.



NOTE: If your model does not have any water softener, you may skip this section.

WATER SOFTENER

The hardness of the water varies from place to place. If hard water is used in the dishwasher, deposits will form on the dishes and utensils.

The appliance is equipped with a special softener that uses a salt container specifically designed to eliminate lime and minerals from the water.

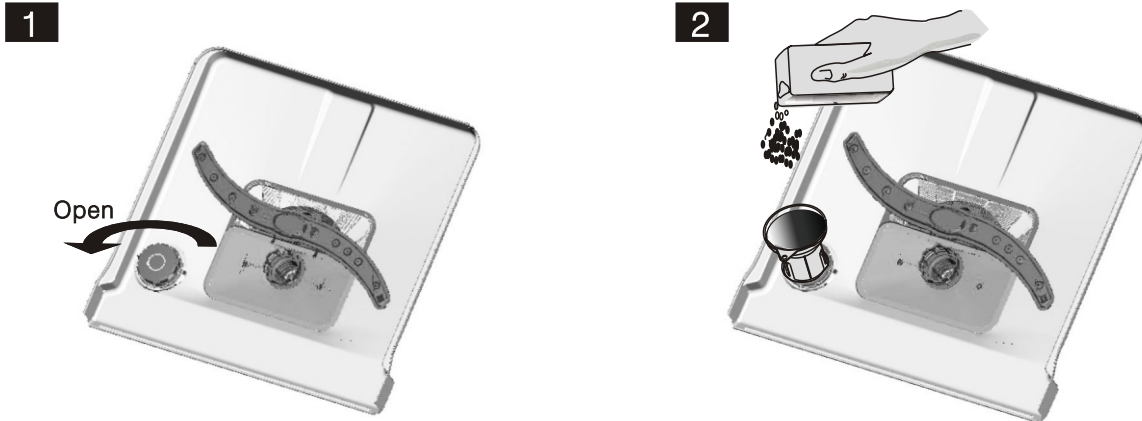
B. Loading the Salt Into the Softener

Always use salt intended for dishwasher use.

The salt container is located beneath the lower basket and should be filled as explained in the following:

Warning!

- Only use salt specifically designed for dishwashers use! Every other type of salt not specifically designed for dishwasher use, especially table salt, will damage the water softener. In case of damages caused by the use of unsuitable salt the manufacturer does not give any warranty nor is liable for any damages caused.
- Only fill with salt before running a cycle.
This will prevent any grains of salt or salty water, which may have been spilled, remaining on the bottom of the machine for any period of time, which may cause corrosion.

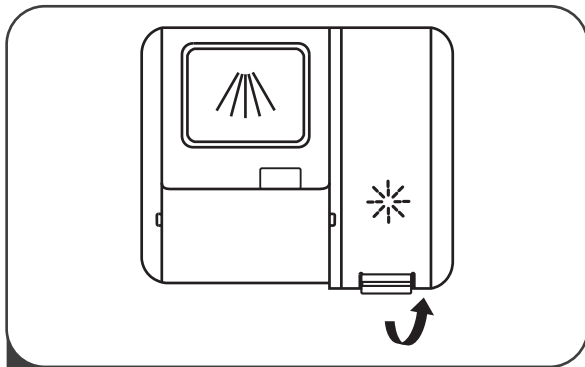


- A** After the lower basket has been removed, unscrew and remove the cap from the salt container. **1**
- B** Place the end of the funnel (supplied) into the hole and pour in about 1.5kg of dishwasher salt.
- C** Fill the salt container to its maximum limit with water, It is normal for a small amount of water to come out of the salt container. **2**
- D** After filling the container, screw back the cap tightly.
- E** The salt warning light will stop being after the salt container has been filled with salt.
- F** Immediately after filling the salt into the salt container, a washing program should be started (We suggest to use a short program). Otherwise the filter system, pump or other important parts of the machine may be damaged by salty water. This is out of warranty.

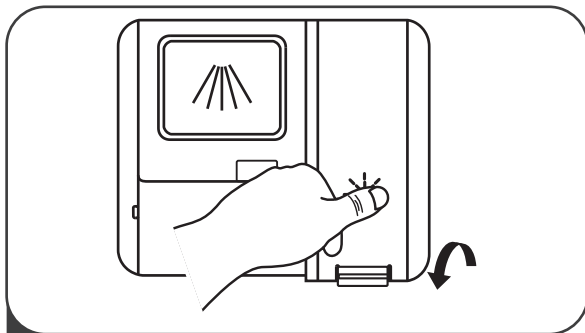
! NOTE:

1. The salt container must only be refilled when the salt warning light in the control panel comes on. Depending on how well the salt dissolves, the salt warning light may still be on even though the salt container is filled.
If there is no salt warning light in the control panel (for some Models), you can estimate when to fill the salt into the softener by the cycles that the dishwasher has run.
2. If salt has spilled, run a soak or quick program to remove it.

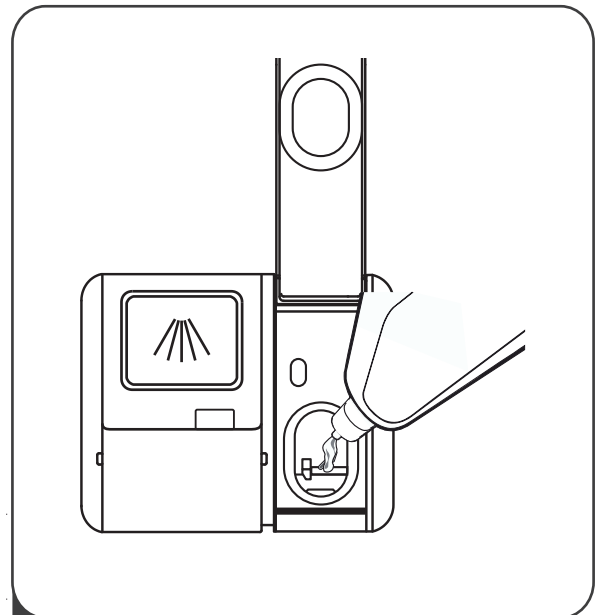
C. Filling the Rinse Aid Dispenser



- 1 Remove the rinse reservoir cap by lifting up the handle .



- 3 Close the cap after all.



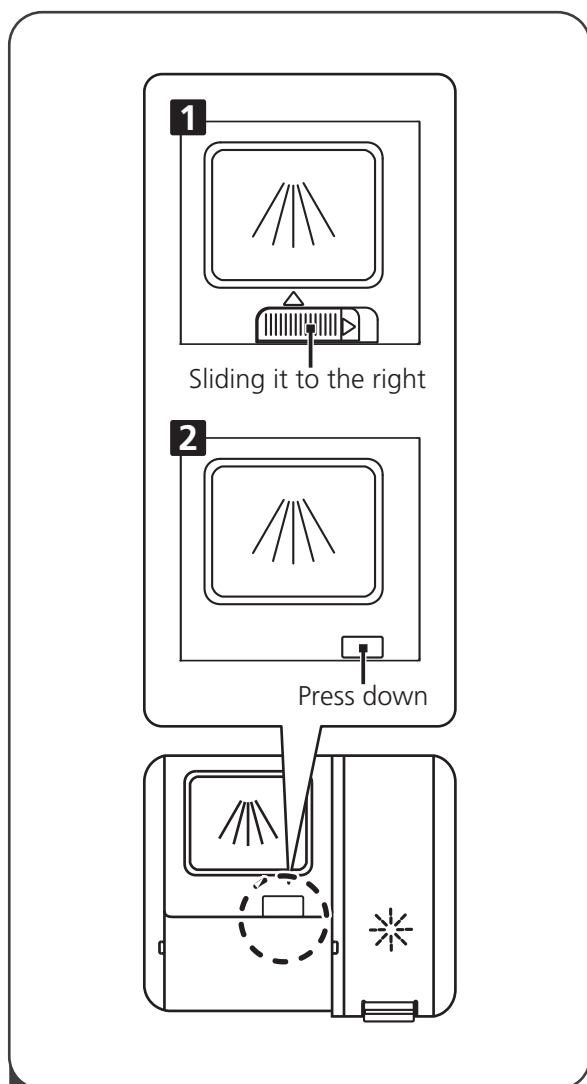
- 2 Pour the rinse aid into the dispenser, being careful not to overfill.

Adjusting the rinse aid reservoir

To achieve a better drying performance with limited rinse aid, the dishwasher is designed to adjust the consumption by user. Follow the below steps.

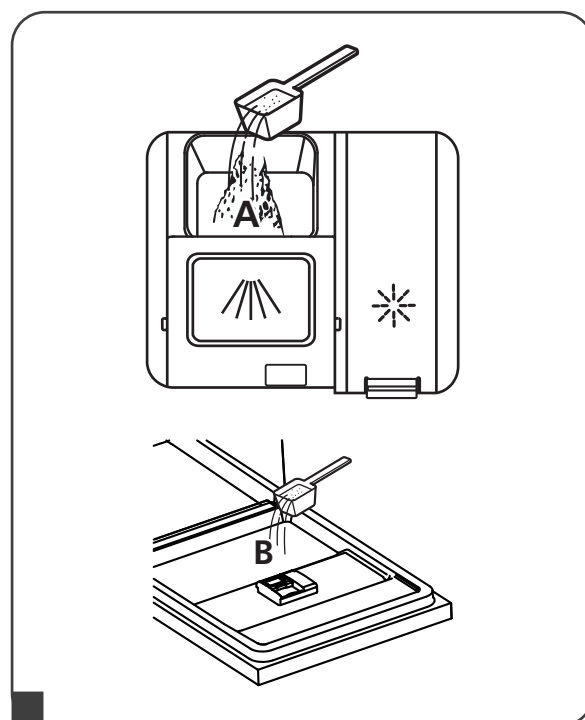
1. Close the door and switch on the appliance;
2. Within 60 seconds after step 1, press the Program ^ button more than 5 seconds, and then press the Delay + button to enter the set model, the rinse aid indication blinks as 1Hz frequency.
3. Press the Program ^ button to select the proper set according to your using habits, the sets will change in the following sequence: D3->D4->D5->D1->D2->D3. Dispenser drops more rinse aid in D5 level than in another, the manufactory setting is D3.
4. Without operation in 5 seconds or press the Power button to complete the setup and exit the setup mode.

Filling The Detergent Dispenser

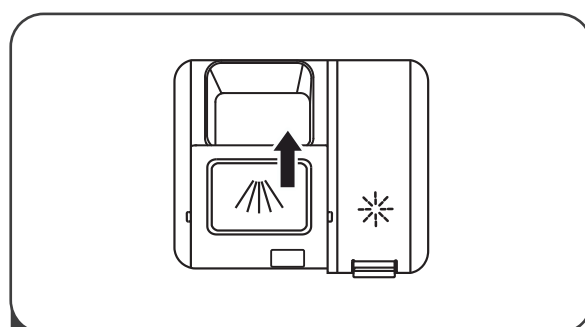


1 Please choose an open way according to the actual situation.

1. Open the cap by sliding the release catch.
2. Open the cap by pressing down the release catch.



- 2** Add detergent into the larger cavity (A) for the main wash cycle .
For better cleaning result, especially if you have very dirt items, pour a small amount of detergent onto the door.
The additional detergent will activate during the pre-wash phase.



- 3** Close the flap by sliding it to the front and then pressing it down.

NOTE:

- Be aware that depending on the soiling of water, setting may be different.
- Please observe the manufacturer's recommendations on the detergent packaging.

D. Function of Detergent

Detergents with its chemical ingredients are necessary to remove dirt, crush dirt and transport it out of the dishwasher. Most of the commercial quality detergents are suitable for this purpose.

Attention!

Proper Use of Detergent

Use only detergent specifically made for the use in dishwashers. Keep your detergent fresh and dry. Don't put powdered detergent into the dispenser until you're ready to wash dishes.

Detergents

There are 3 sorts of detergents

1. With phosphate and with chlorine
2. With phosphate and without chlorine
3. Without phosphate and without chlorine

Normally new pulverised detergent is without phosphate. Thus the water softener function of phosphate is not given. In this case we recommend to fill salt in the salt container even when the hardness of water is only 6 ° dH. If detergents without phosphate are used in the case of hard water often white spots appear on dishes and glasses. In this case please add more detergent to reach better results. Detergents without chlorine do only bleach a little. Strong and coloured spots will not be removed completely. In this case please choose a program with a higher temperature.

Concentrated Detergent

Based on their chemical composition, detergents can be split in two basic types:

- conventional, alkaline detergents with caustic components
- low alkaline concentrated detergents with natural enzymes

Detergent Tablets

Detergent tablets of different brands dissolve at different speeds. For this reason some detergent tablets cannot dissolve and develop their full cleaning power during short programs. Therefore please use long programs when using detergent tablets, to ensure the complete removal of detergent residuals.

Detergent Dispenser

The dispenser must be refilled before the start of each wash cycle following the instructions provided in the wash cycle table. Your dishwasher uses less detergent and rinse aid than Conventional dishwasher. Generally, only one tablespoon of detergent is needed for a normal wash load. More heavily soiled items need more detergent. Always add the detergent just before starting the dishwasher, otherwise it could get damp and will not dissolve properly.

5. Preparing and Loading Dishes

Recommendation

- Consider buying utensils which are identified as dishwasher-proof.
- Use a mild detergent that is described as 'kind to dishes'. If necessary, seek further information from the detergent manufacturers.
- For particular items, select a program with the lowest possible temperature.
- To prevent damage, do not take glass and cutlery out of the dishwasher immediately after the programme has ended.

For washing the following cutlery/dishes

Are not suitable

- Cutlery with wooden, horn china or mother-of-pearl handles
- Plastic items that are not heat resistant
- Older cutlery with glued parts that are not temperature resistant
- Bonded cutlery items or dishes
- Pewter or cooper items
- Crystal glass
- Steel items subject to rusting
- Wooden platters
- Items made from synthetic fibres

Are of limited suitability

- Some types of glasses can become dull after a large number of washes
- Silver and aluminum parts have a tendency to discolour during washing
- Glazed patterns may fade if machine washed frequently

Recommendations for loading and unloading the dishwasher

(For best performance of the dishwasher, follow these loading guidelines.
Features and appearance of baskets and cutlery baskets may vary from your model.)

Scrape off any large amounts of leftover food. Soften remnants of burnt food in pans.
It is not necessary to rinse the dishes under running water.

Place objects in the dishwasher in following way:

1. Items such as cups, glasses, pots/pans, etc. are faced downwards.
2. Curved items, or ones with recesses, should be loaded aslant so that water can run off.
3. All utensils are stacked securely and can not tip over.
4. All utensils are placed in the way that the spray arms can rotate freely during washing.



NOTE: Very small items should not be washed in the dishwasher as they could easily fall out of the basket.

- Load hollow items such as cups, glasses, pans etc. With the opening facing downwards so that water cannot collect in the container or a deep base.
- Dishes and items of cutlery must not lie inside one another, or cover each other.
- To avoid damage, glasses should not touch one another.
- Load large and difficult to clean items in the lower basket.
- The upper basket is designed to hold more delicate and lighter dishware such as glasses, coffee and tea cups
- Long bladed knives stored in an upright position are a potential hazard!
- Long and/or sharp items of cutlery such as carving knives must be positioned horizontally in the upper basket.
- Please do not overload your dishwasher. This is important for good results and for reasonable consumption of energy.

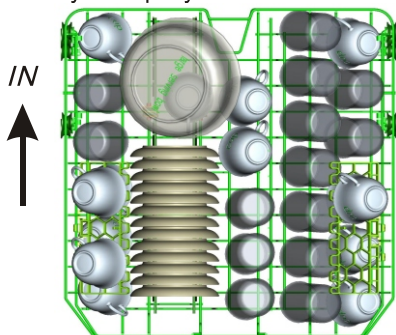
Removing the Dishes

To prevent water dripping from the upper basket into the lower basket, we recommend that you empty the lower basket first, followed by the upper basket.

Standard Loading Pattern

A. Loading the Upper Basket

The upper basket is designed to hold more delicate and lighter dishware such as glasses, coffee and tea cups and saucers, as well as plates, small bowls and shallow pans (as long as they are not too dirty). Position the dishes and cookware so that they will not get moved by the spray of water.

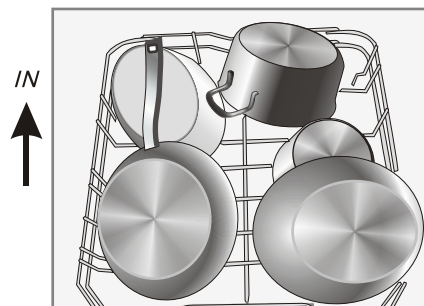


Please be reminded that:

- Pots, serving bowls, etc, must always be placed top down.
- Deep pots should be slanted to allow water to flow out.
- The Bottom Basket features folding spikes so that larger or more pots and pans can be loaded.

B. Loading the Lower Basket

We suggest that you place large items and the most difficult to clean items into the lower basket: such as pots, pans, lids, serving dishes and bowls, as shown in the figure below. It is preferable to place serving dishes and lids on the side of the racks in order to avoid blocking the rotation of the top spray arm. The maximum diameter advised for plates in front of the detergent dispenser is of 19 cm, this not to hamper the opening of it



C. Adjusting the Upper Basket

The height of the upper rack can be easily adjusted to accommodate taller dishes in either the upper and lower rack. To raise the rack to the upper position, lift rack until both sides are at the same height. The rack will secure into place. To lower the rack, push down on the handle and release.

Lift the basket



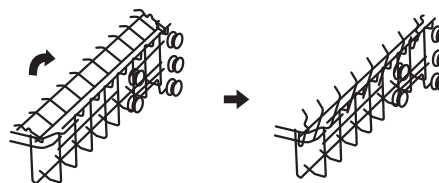
Press down on the handle



Adjust handle

D. Folding back the cup shelves

To make room for taller items in the upper basket, raise the cup rack upwards. You can then lean the tall glasses against it. You can also remove it when it is not required for use.



E. Folding Spikes of Lower Basket

For better stacking of pots and pans, the spikes can be folded down as show in the picture below.



F. Loading the Cutlery Basket

Cutlery should be placed in the cutlery rack separately from each other in the appropriate positions, and do make sure the utensils do not nest together, this may cause bad performance.

For a top quality cleaning, place the silverware in the basket making sure that:

- They do not nest together.
- Silverware is placed with the male face up.
- Long utensils in the middle.

⚠ WARNING!

Do not let any item extend through bottom. Always load sharp utensils with the sharp pointing down!



6. Starting a Washing Program

Wash Cycle Table

! **NOTE:** (★) Means: Rinse-aid dispenser needs to be filled.

Program	Cycle Selection Information	Description of Cycle	Detergent pre/main	Running time(min) ^(a)	Energy (kWh)	Water (L)	Rinse Aid	Running time(min) ^(b)
Cyclone 65°C Intensive	For heaviest soiled crockery, and normally soiled pots, pans, dishes etc with dried on soiling.	Pre-wash(50 °C) Wash (65 °C) Rinse Rinse Rinse(60°C) Drying	$\frac{4/19g}{(1 \text{ or } 2 \text{ pieces})}$	205	1.651	16.5	★	220
Opti 460 min One hour	For lightly soiled loads that do not need excellent drying efficiency.	Wash (55 °C) Rinse Rinse(50°C) Drying	$\frac{23g}{(1 \text{ piece})}$	60	0.853	11.5	★	80
Universal 55°C Universal	For normally soiled loads, such as pots, plates, glasses and lightly soiled pans.	Pre-wash(45 °C) Wash (55 °C) Rinse Rinse Rinse(60°C) Drying	$\frac{4/19g}{(1 \text{ or } 2 \text{ pieces})}$	175	1.451	16.5	★	195
AUTO 55-65°C Auto	Auto sensing wash, lightly, normally or heavily soiled crockery, with or with out dried-on food	Pre-wash(45 °C) Wash (55-65 °C) Rinse Rinse Rinse(50-55 °C) Drying	$\frac{4/19g}{(1 \text{ or } 2 \text{ pieces})}$	85-150	1.050-1.551	10.6-15.9	★	/
Eco 50°C ECO (*EN 60436)	This is standard programme, it is suitable to clean normally soiled tableware and it is the most efficient programme in terms of its combined energy and water consumption for that type of tableware.	Wash (50 °C) Rinse Rinse(50°C) Drying	$\frac{23g}{(1 \text{ or } 2 \text{ pieces})}$	210	0.861	10.0	★	230
Fragile 50°C Glass	For lightly soiled crockery and glass.	Pre-wash(40 °C) Wash (50 °C) Rinse Rinse(50°C) Drying	$\frac{4/19g}{(1 \text{ or } 2 \text{ pieces})}$	120	0.902	13.5	★	135
Soak	To rinse dishes that you plan to wash later that day	Pre-wash	/	15	0.021	4		/

! **NOTE:** Running time (min)^(a): with the "All in one" function
Running time (min)^(b): without the "All in one" function
The "All in one" function is selected by default for Intensive, One hour, Universal and Glass programs

*EN 60436 : This programme is the test cycle. The information for comparability test in accordance with EN 60436, as follows:
Values other than the ECO program are purely indicative.

- Capacity: 15 settings
- Position Upper basket: upper wheels on rails
- Rinse aid setting: 5
- Po:0.49W

Turning On the Appliance

Starting a cycle wash

- 1 Draw out the lower and upper basket, load the dishes and push them back.
It is recommended to load the lower basket first, then the upper one (see the section entitled "Loading the Dishwasher").
- 2 Pour in the detergent (see the section entitled "Salt, Detergent and Rinse Aid").
- 3 Insert the plug into the socket. The power supply is 220-240 VAC /50 Hz, the specification of the socket is 10A 250VAC. Make sure that the water supply is turned on to full pressure.
- 4 Close the door, press the ON/OFF Button.
- 5 Press the program button to select the desired program.
If a program is selected, the response light will turn on. Then press the Start/Pause button and the dishwasher will start its cycle.



NOTE:

When you press the Start/Pause button to pause during washing, the running indicator will stop blinking unless you press the Start/Pause button to start.

Changing the Program Mid-Cycle

Premise:

- 1 A running cycle can only be changed if it has only been running for a short time. Otherwise, the detergent may have already been released, and the appliance may have already drained the wash water. If this is the case, the detergent dispenser must be refilled (see the section entitled " Loading the Detergent ").
- 2 Press the Start/Pause Button to stop washing , then press programme button for more than 3 seconds , the programme will cancel. Then press the program button to select the desired cycle setting, press the Start/Pause Button, the dishwasher will run after 10 seconds. (See the section entitled " Starting a wash cycle. . . ").



NOTE:

If you open the door during a wash cycle , the machine will pause. The program light will stop blinking unless you close the door . After you close the door , the machine will keep on working after 10 seconds.

Forgot to Add a Dish?

A forgotten dish can be added any time before the detergent cup opens.

- 1 Open the door a little .
- 2 After the spray arms stop working, you can open the door completely.
- 3 Add forgotten dishes.
- 4 Close the door
- 5 Press the Start/Pause Button. The dishwasher will run after 10 seconds.

At the End of the Wash Cycle

When the working cycle has finished. Turn off the appliance using the ON/OFF button, shut off the water supply and open the door of the dishwasher. Wait for a few minutes before unloading the dishwasher to avoid handling the dishes and utensils while they are still hot and more susceptible to break. They will also dry better.

■ Switching Off the Dishwasher

The program light is on but is not blinking, only in this case has the program ended.

1. Switch off the dishwasher by pressing the ON/OFF button.
2. Turn off the water tap!

■ Open the door carefully.

Hot dishes are sensitive to shocks. The dishes should cool down for around 15 minutes before removing from the appliance.

Open the dishwasher's door, leave it ajar and wait a few minutes before removing the dishes. In this way they will be cooler and the drying will be improved.

■ Unloading the dishwasher

It is normal for the dishwasher to be wet inside.

Empty the lower basket first and then the upper one. This will avoid water dripping from the upper Basket onto the dishes in the lower one.



WARNING!

It is dangerous to open the door mid-cycle, as hot steam may scald you.

Auto Open Door

After washing, the door will open automatically to achieve better drying effect.

💡 NOTE:

The dishwasher door must not be blocked when set to open automatically. This can disrupt door lock functionality.

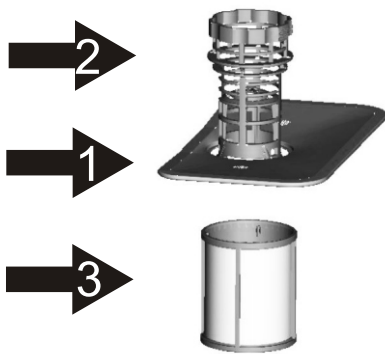


7. Maintenance and Cleaning

Filter System

The filter prevents larger remnants of food or other objects from getting inside the pump. The residues may block the filter, in this case they must be removed.

The filter system consists of a coarse filter, a flat (Main filter) and a microfilter (Fine filter).



Main filter **1**

Food and soil particles trapped in this filter are pulverized by a special jet on the lower spray arm and washed down the drain.

Coarse filter **2**

Larger items, such as pieces of bones or glass, that could block the drain are trapped in the coarse filter. To remove the items caught by the filter, gently squeeze the tap on the top of this filter and lift out.

Fine filter **3**

This filter holds soil and food residues in the sump area and prevents them from being redeposited on the dishes during wash cycle.

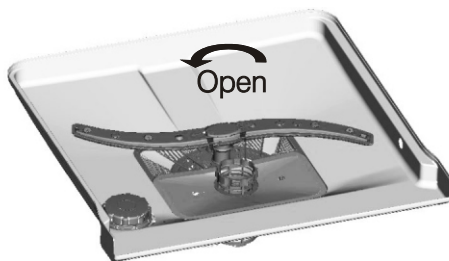
Filter assembly

The filter efficiently removes food particles from the wash water, allowing it to be recycled during the cycle. For best performance and results, the filter must be cleaned regularly. For this reason, it is a good idea to remove the larger food particles trapped in the filter after each wash cycle by rinsing the semicircular filter and cup under running water. To remove the filter device, pull the cup handle in the upward direction.

⚠ WARNING!

- The dishwasher must never be used without the filters.
- Improper replacement of the filter may reduce the performance level of the appliance and damage dishes and utensils.

1



Step 1: Turn the filter counterclockwise,

2



Step 2: lift the filter assy up



NOTE: *When following this procedure from step 1 to step 2, the filter system will be removed; when following it from Step 2 to Step 1, the filter system will be installed.*

Remarks:

- After each cycle, check for any debris in the filter to avoid future blockage.
- By unscrewing the coarse filter, you can remove the filter system. Remove any food remnants and clean the filters under running water.

! NOTE: The entire filter assembly should be cleaned once a week.

Cleaning the Filter

To clean the coarse filter and the fine filter, use a cleaning brush. Reassemble the filter parts (see page 13) and reinsert them in the dishwasher, positioning them in their seat and pressing downwards.

! WARNING!

When cleaning the filters, do not knock them. Otherwise, the filters could be contorted and the performance of the dishwasher could be decreased.

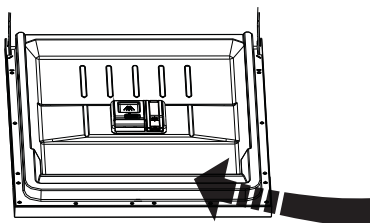
Caring for the Dishwasher

The control panel can be cleaned by using a lightly dampened cloth. After cleaning, make sure to dry it thoroughly.

For the exterior, use a good appliance polish wax.

Never use sharp objects, scouring pads or harsh cleaners on any part of the dishwasher.

Cleaning The Door



To clean the edge around the door, you should only use a soft, ward and damp cloth.

To avoid penetration of water into the door lock and electrical components, do not use a spray cleaner of any kind.

! WARNING!

- Never use a spray cleaner to clean the door panel as it may damage the door lock and electrical components.
- Abrasive agents or some paper towels should not be used because of the risk of scratching or leaving spots on the stainless steel surface.

Winterizing

please take frost protection measures on the dishwasher in winter. Every time after washing cycles, please operate as follows:

1. Cut off the electrical power to the dishwasher at the supply source.
2. Turn off the water supply and disconnect the water inlet pipe from the water valve.
3. Drain the water from the inlet pipe and water valve. (Use a pan to gather the water)
4. Reconnect the water inlet pipe to the water valve.
5. Remove the filter at the bottom of the tub and use a sponge to soak up water in the sump.

! NOTE: If your dishwasher cannot work because of the ice, please contact professional service persons.

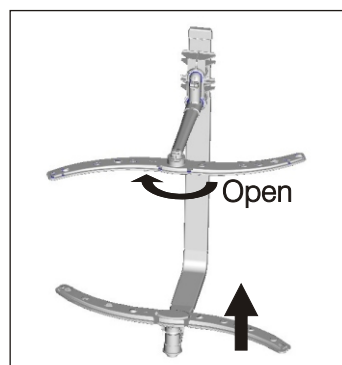
Cleaning the Spray Arms

It is necessary to clean the spray arms regularly for hard water chemicals will clog the spray arm jets and bearings.

To remove the upper spray arm, hold the nut, rotate the arm clockwise to remove it.

To remove the lower spray arm, pull out the spray arm upward.

Wash the arms in soapy and warm water and use a soft brush to clean the jets. Replace them after rinsing them thoroughly.



How to Keep Your Dishwasher in Shape

■ After Every Wash

After every wash, turn off the water supply to the appliance and leave the door slightly open so that moisture and odours are not trapped inside.

■ Remove the Plug

Before cleaning or performing maintenance, always remove the plug from the socket.

■ No Solvents or Abrasive Cleaning

To clean the exterior and rubber parts of the dishwasher, do not use solvents or abrasive cleaning products. Only use a cloth with warm soapy water. To remove spots or stains from the surface of the interior, use a cloth dampened with water and a little vinegar, or a cleaning product made specifically for dishwashers.

■ When not in Use for a long Time

It is recommended that you run a wash cycle with the dishwasher empty and then remove the plug from the socket, turn off the water supply and leave the door of the appliance slightly open. This will help the door seals to last longer and prevent odours from forming within the appliance.

■ Moving the Appliance

If the appliance must be moved, try to keep it in the vertical position. If absolutely necessary, it can be positioned on its back.

■ Seals

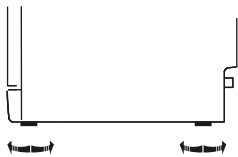
One of the factors that cause odours to form in the dishwasher is remaining food trapped in the seals. Periodic cleaning with a damp sponge will prevent this from occurring.

8. Installation instruction

Positioning the Appliance

Position the appliance in the desired location. The back should rest against the wall behind it, and the sides, along the adjacent cabinets or walls. The dishwasher is equipped with water supply and drain hoses that can be positioned either to the right or the left sides to facilitate proper installation.

Levelling the Appliance



Once the appliance is positioned for levelling, the height of the dishwasher may be altered by adjusting the screwing level of the feet. In any case, the appliance should not be inclined more than 2°.

About Power Connection

⚠ WARNING!

For personal safety:

- Do not use an extension cord or an adapter plug with this appliance.
- Do not, under any circumstances, cut or remove the earthing connection from the power cord.

Electrical Requirements

Please look at the rating label to know the rating voltage and connect the dishwasher to the appropriate power supply. Use the required fuse 10 amp, time delay fuse or circuit breaker recommended and provide separate circuit serving only this appliance.

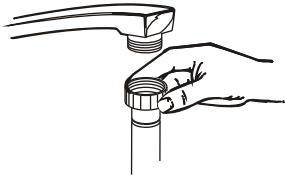
Electrical Connection

⚠ Ensure that proper earthing exists before use

Ensure the voltage and frequency of the power being corresponds to those on the rating plate. Only insert the plug into an electrical socket which is earthed properly. If the electrical socket to which the appliance must be connected is not appropriate for the plug, replace the socket, rather than using an adaptor or the like as they could cause overheating and burns.

Water Connection

Cold Water Connection

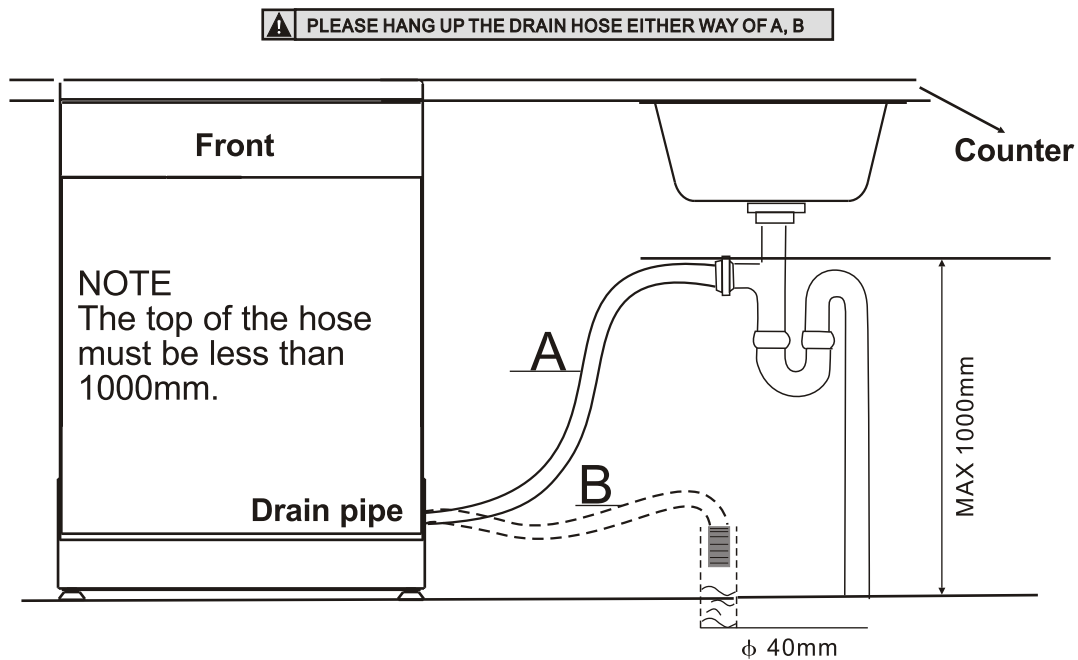


Connect the cold water supply hose to a threaded 3/4(inch) connector and make sure that it is fastened tightly in place.
If the water pipes are new or have not been used for an extended period of time, let the water run to make sure that the water is clear. This precaution is needed to avoid the risk of the water inlet to be blocked and damage the appliance.

⚠ WARNING! Please close the hydrant after use.

Drain hose Connection

Insert the drain hose into a drain pipe with a minimum diameter of 40mm, or let it run into the sink, making sure to avoid bending or crimping it. The height of the drain pipe must be less than 1000mm.



How to Drain Excess Water From Hoses

If the sink is 1000 higher from the floor, the excess water in hoses cannot be drained directly into the sink. It will be necessary to drain excess water from hoses into a bowl or suitable container that is held outside and lower than the sink.

Water Outlet

Connect the water drain hose. The drain hose must be correctly fitted to avoid water leaks. Ensure that the water drain hose is not kinked or squashed.

Extension Hose

If you need a drain hose extension, make sure to use a similar drain hose. It must be no longer than 4 metres; otherwise the cleaning effect of the dishwasher could be reduced.

Syphon Connection

The distance between the drain connection and the bottom of the appliance must not be longer than 1000mm. The water drain hose should be fixed.

Start of Dishwasher

The following things should be checked before starting the dishwasher.

- 1** The dishwasher is levelled and fixed properly
- 2** The inlet valve is open
- 3** To avoid any water leak, check if inlet valve is correctly screwed to the dishwasher
- 4** The wires are tightly connected
- 5** The power is switched on
- 6** The inlet and drain hoses are knotted
- 7** All packing materials and printings have been removed from the dishwasher.



Attention: *After installation, please make sure to keep this manual.*

The content of this manual is very helpful to the users.

9. Troubleshooting Tips

Before Calling for Service

Reviewing the charts on the following pages may save you from calling for service.



	<i>Problem</i>	<i>Possible Causes</i>	<i>What To Do</i>
Technical problems	<i>Dishwasher doesn't start</i>	Fuse blown, or the circuit breaker tripped	Replace fuse or reset circuit breaker. Remove any other appliances sharing the same circuit with the dishwasher
		Power supply is not turned on	Make sure the dishwasher is turned on and the door is closed securely. Make sure the power cord is properly plugged into the wall socket.
		Water pressure is low	Check that the water supply is connected properly and the water is turned on.
		Door of dishwasher not properly closed.	Make sure to close the door properly and latch it.
	<i>water not pumped from dishwasher</i>	Kink in drain hose	Check drain hose.
		Filter clogged	Check the coarse filter (see section titled "Cleaning The Filter")
		Kitchen sink clogged	Check the kitchen sink to make sure it is draining well. If the kitchen sink is not draining properly, you may need a plumber rather than a serviceman for dishwashers.
General problems	<i>Suds in the tub</i>	Improper detergent	Use only the special dishwasher detergent to avoid suds. If this occurs, open the dishwasher and let suds evaporate. Add 1 gallon of cold water to the tub. Close and latch the dishwasher, then select any cycle. Dishwasher will drain out the water at the first step. Open the door after draining is over and check if the suds have disappeared.
		Spilled rinse-aid	Always wipe up rinse-aid spills immediately.
	<i>Stained tub interior</i>	Detergent with colorant was used	Make sure that the detergent is the one without colorant.
	<i>White film on inside surface</i>	Hard water minerals	To clean the interior, use a damp sponge with dishwasher detergent and wear rubber gloves. Never use any other cleaner than dishwasher detergent for the risk of foaming or suds.
	<i>There are rust stains on cutlery</i>	The affected items are not corrosion resistant.	
		A programme was not run after dishwasher salt was added. Traces of salt have gotten into the wash cycle.	Always run the quick wash programme without any crockery in the dishwasher and without selecting the Turbo function (if present), after adding dishwasher salt.
The lid of the softer is loose		Check the lid. Ensure the fix is fine.	
Noise	<i>Knocking noise in the wash cabinet</i>	A spray arm is knocking against an item in a basket	Interrupt the programme, and rearrange the items which are obstructing the spray arm.
	<i>Rattling noise in the wash cabinet</i>	Items of crockery are loose in the wash cabinet	Interrupt the programme, and rearrange the items of crockery.
	<i>Knocking noise in the water pipes</i>	This may be caused by on-site installation or the cross-section of the piping.	This has no influence on the dishwasher function. If in doubt, contact a qualified plumber.



Unsatisfactory washing result

<i>Problem</i>	<i>Possible Causes</i>	<i>What To Do</i>
<i>The dishes are not clean</i>	The dishes were not loaded correctly.	See notes in "Loading the Dishwasher Baskets".
	The programme was not powerful enough.	Select a more intensive programme. See "Wash Cycle Table".
	Not enough detergent was dispensed.	Use more detergent, or change your detergent.
	Items are blocking the path of spray arms.	Rearrange the items so that the spray can rotate freely.
	The filter combination in the base of wash cabinet is not clean or is not correctly fitted. This may cause the spray arm jets to get blocked.	Clean and/or fit the filter combination correctly. Clean the spray arm jets. See "Cleaning the Spray Arms".
<i>Cloudiness on glassware</i>	Combination of soft water and too much detergent.	Use less detergent if you have soft water and select a shorter cycle to wash the glassware and to get them clean.
<i>Black or gray marks on dishes</i>	Aluminum utensils have rubbed against dishes.	Use a mild abrasive cleaner to eliminate those marks.
<i>Detergent left in dispenser cups</i>	Dishes block detergent cups.	Re-loading the dishes properly.

Unsatisfactory drying result

<i>The dishes are not drying</i>	Improper loading	Load the dishwasher as suggested in the directions.
	Too little rinse-aid	Increase the amount of rinse-aid/refill the rinse-aid dispenser.
	Dishes are removed too soon	Do not empty your dishwasher immediately after washing. Open the door slightly so that the steam can escape. Begin unloading the dishwasher only once the dishes are barely warm to the touch. Empty the lower basket first to prevent any water from dripping into the lower basket.
	Wrong program has been selected	With a short program, the washing temperature is lower, decreasing cleaning performance. Choose a program with a long washing time.
	Use of cutlery with a low-quality coating	Water drainage is more difficult with these items. Cutlery or dishes of this type are not suitable for washing in the dishwasher.

Error Codes

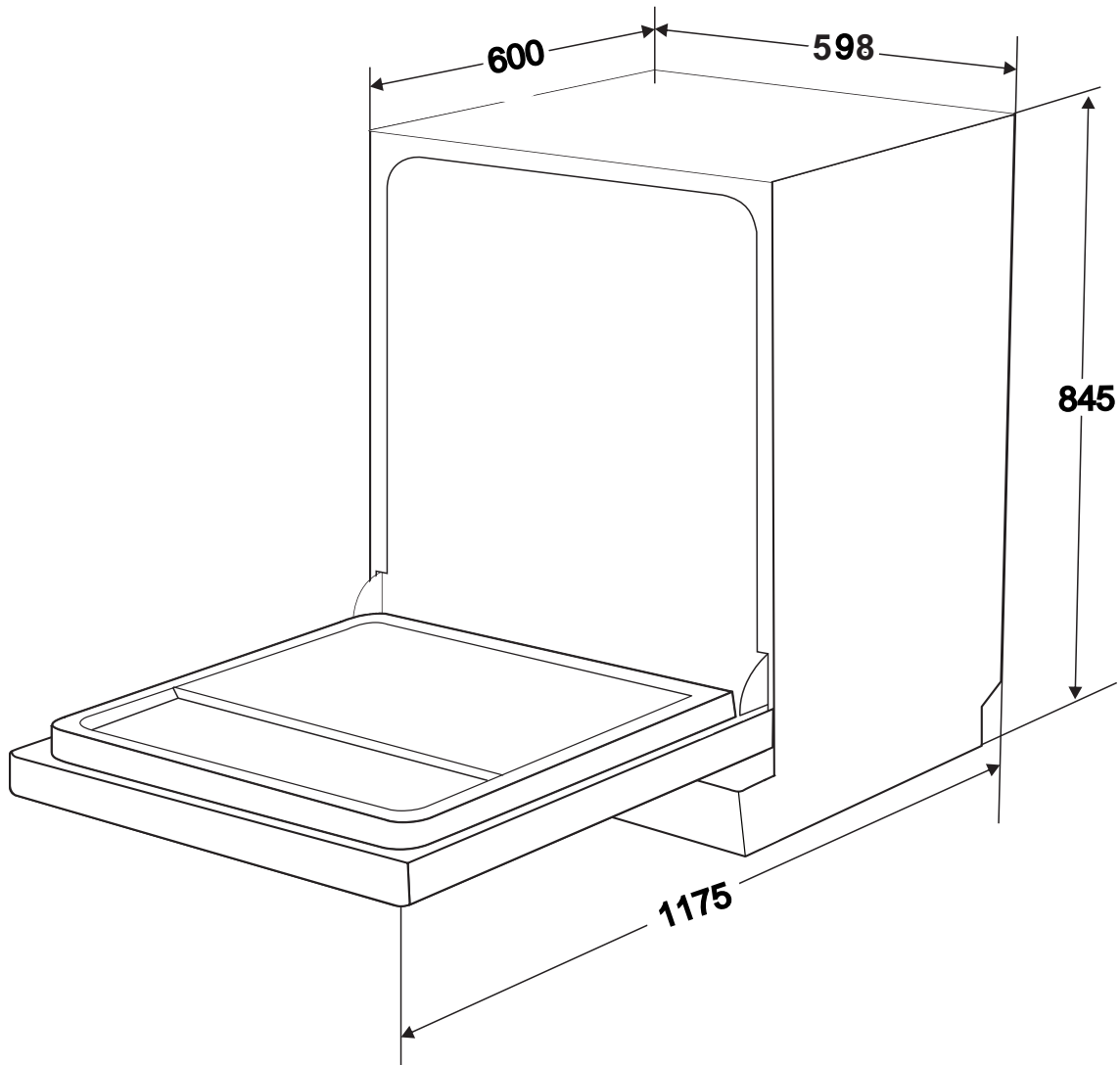
In case of malfunctions, the appliance will display error codes to warn you:

<i>Codes</i>	<i>Meanings</i>	<i>Possible Causes</i>
E1	Longer inlet time.	Faucet is not opened, or water intake is restricted, or water pressure is too low.
E3	Not reaching required temperature.	Malfunction of heating element.
E4	Overflow.	Some element of dishwasher leaks.
E8	Failure of orientation of distributary valve.	Circuit is open or broken distributary valve.
Ed	Failure of communication between main PCB with display pcb.	Open circuit or break wiring for the communication.

⚠ WARNING!

- If overflow occurs, turn off the main water supply before calling a service.
- If the base pan overflows:
 - Turn off the main water supply before calling for service
 - Remove the excess water before restarting the dishwasher.

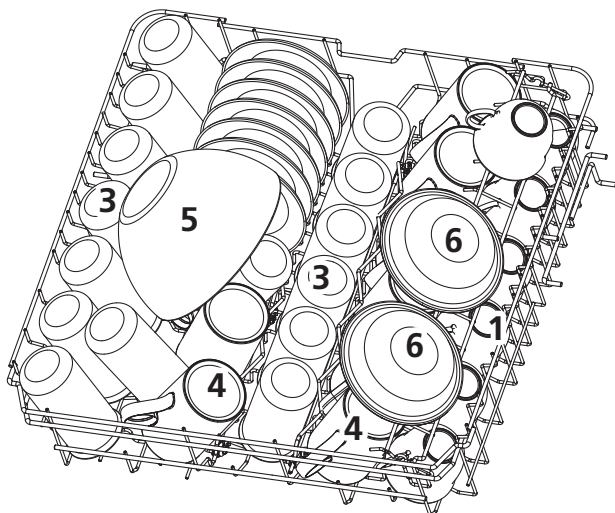
Technical Information



Height :	845mm
Width :	598 mm
Depth :	600mm (with the door closed)
Water pressure:	0.04-1.0MPa
Power supply:	see rating label
Capacity:	15 place settings

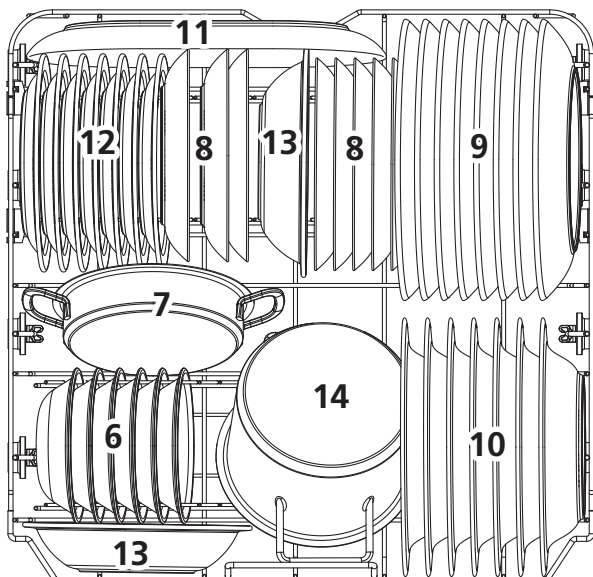
LOADING THE BASKETS ACCORDING TO EN60436:

1.Upper basket:



Number	Item
1	Cups
2	Saucers
3	Glasses
4	Mugs
5	Glass bowl
6	Dessert bowls

2.Lower basket:

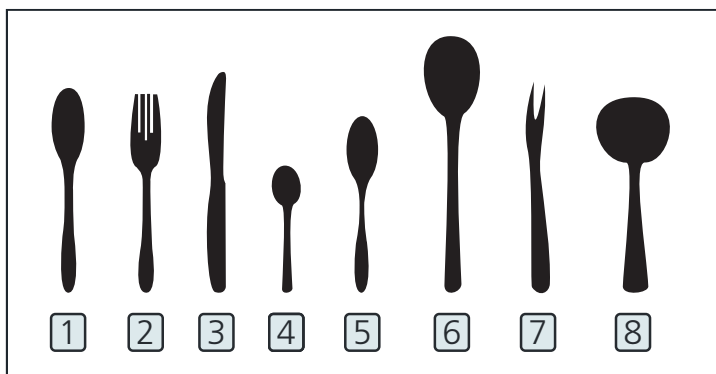
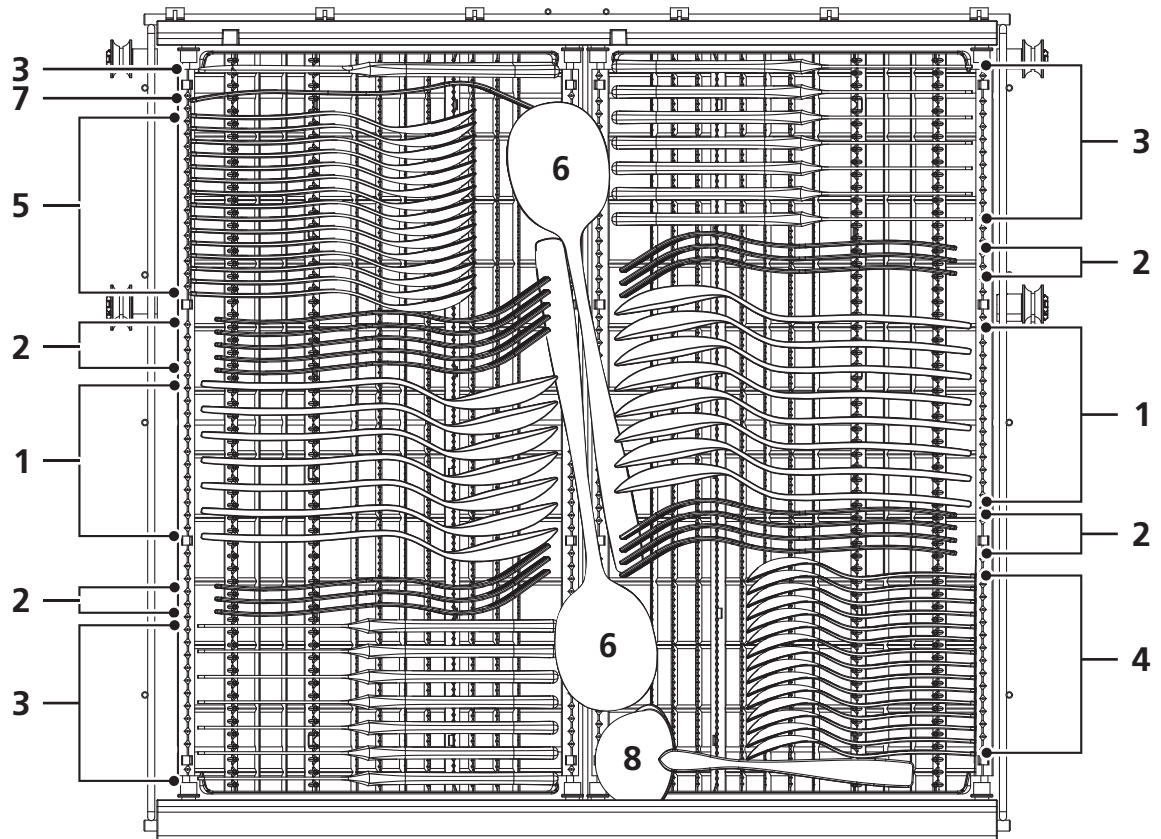


Number	Item
7	Oven pot
8	Dessert plates
9	Dinner plates
10	Soup plates
11	Oval platter
12	Melamine dessert plates
13	Melamine bowls
14	Small pot

WARNING!

Non compliance with the loading can result in poor washing quality.

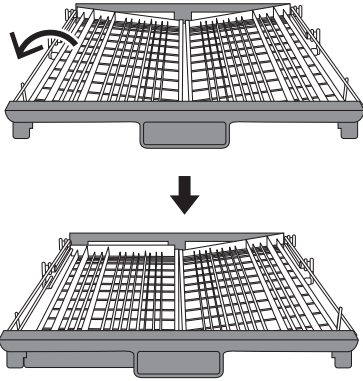
3.Cutlery rack:



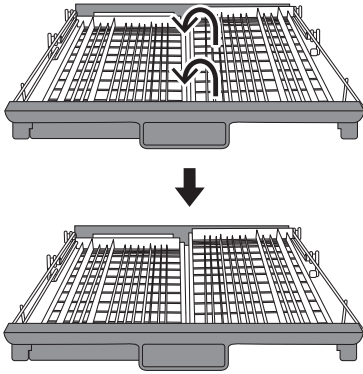
Number	Item
1	Soup spoons
2	Forks
3	Knives
4	Tea spoons
5	Dessert spoons
6	Serving spoons
7	Serving fork
8	Gravy ladle

Information for comparability
 tests in accordance with EN60436
 Capacity: 15 place settings
 Position of the upper basket: lower position
 Program: ECO
 Rinse aid setting: 5
 Softener setting: H3

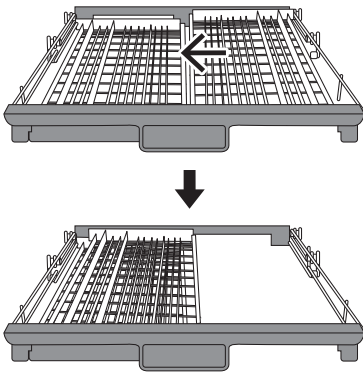
Cutlery Rack Used Tips



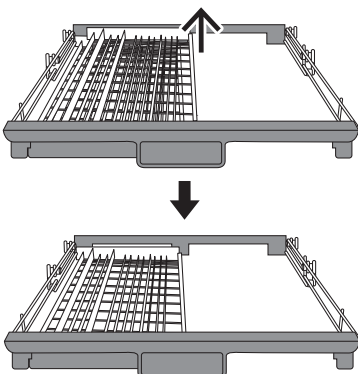
Lift the left basket up, adjust it to lower position, left basket is flat and right basket is sideling.



Lift the right basket up, both left and right baskets are flat.



Move the right basket from right to left, two basket are overlapping.



Remove the right basket from the tray, only has the left basket.

DATABASE ACCESS

In order to access to your model information stored in the product database, as set out in Regulation (EU) 2019/2017 and relating to energy labelling, please log on to the website: <https://eprel.ec.europa.eu/>

Look for the reference of your product on the website by putting the service reference that is indicated on your product rating plate.

Another means to access this information is to flash the "QR" code on the energy label of your product.

EN After Sales Service:

Any maintenance on your equipment should be undertaken by:

-Either your dealer,

-Or another qualified mechanic who is an authorized agent for the brand appliances.

When making an appointment, state the full reference of your equipment (model, type and serial number). This information appears on the manufacturer's nameplate attached to your equipment.

INFORMATION:

The minimum period of availability of spare parts listed in the European Regulation 2019-2022-EU and accessible in particular to the user of the appliance, is 10 years under the conditions layed down in the same regulation.

Brandt



MANUEL D'INSTRUCTIONS FR

Lave-vaisselle

DSF15624X

Chère Cliente, Cher Client,

Vous venez d'acquérir un produit **BRANDT** et nous vous remercions de la confiance que vous nous accordez.

Nous avons conçu et fabriqué ce produit en pensant à vous, à votre mode de vie, à vos besoins, pour qu'il réponde au mieux à vos attentes. Nous y avons mis notre savoir-faire, notre esprit d'innovation et toute la passion qui nous anime depuis plus de 60 ans.

Dans un souci permanent de toujours mieux satisfaire vos exigences, notre service consommateurs est à votre disposition et à votre écoute pour répondre à toutes vos questions ou suggestions.

Connectez-vous aussi sur notre site www.brandt.com où vous trouverez nos dernières innovations, ainsi que des informations utiles et complémentaires.

BRANDT est heureux de vous accompagner au quotidien et vous souhaite de profiter pleinement de votre achat.



Important : Avant de mettre votre appareil en marche, veuillez lire attentivement ce guide d'installation et d'utilisation afin de vous familiariser plus rapidement avec son fonctionnement



Lisez ce guide d'utilisation

Cher client,

n Veillez à lire attentivement ce guide d'installation et d'utilisation avant d'utiliser votre lave-vaisselle afin de garantir une bonne utilisation et un bon entretien du produit.

n Conservez ce guide d'utilisation afin de pouvoir vous y référer ultérieurement.

n Transférez-le à tout propriétaire ultérieur de l'appareil.

Ce guide d'installation et d'utilisation présente des consignes de sécurité, des consignes d'utilisation, des consignes d'installation, des conseils de résolution des problèmes, etc.



Avant de faire appel à un technicien

n Référez-vous à la rubrique du Guide de dépannage : celle-ci peut vous aider à remédier vous-même à certains des problèmes les plus courants.

n Si vous ne pouvez pas remédier vous-même au problème, merci de demander l'aide d'un technicien professionnel.



REMARQUE :

En accord avec la politique d'évolution constante et de mise à jour du produit de la société, le fabricant peut apporter des modifications au produit sans préavis.

Si vous perdez ce guide d'utilisation ou que celui-ci n'est pas à jour, vous pouvez obtenir un nouveau guide d'utilisation auprès du fabricant ou du fournisseur responsable.

1) Consignes de sécurité	1-4
2) Guide de prise en main.....	5
3) Consignes d'utilisation	6
Bandeau de commandes	6
Fonctionnalités du lave-vaisselle.....	7
4) Avant la première utilisation	8
A Adoucisseur d'eau.....	8
B. Ajout du sel dans l'adoucisseur.....	9
C. Remplissage du compartiment à produit de rinçage	9
D. Fonction du détergent	10
5) Préparation et chargement de la vaisselle ...	13
Recommandations pour le remplissage et le déchargement du lave-vaisselle.....	13
Procédure de remplissage standard.....	14
6) Lancer un programme de lavage	15
Tableau des cycles de lavage	15
Mettre l'appareil en marche.....	15
Changer de programme en cours de cycle	16
À la fin du cycle de lavage	16
7) Nettoyage et entretien	17
Système de filtration	17
Entretien du lave-vaisselle	18
8) Consignes d'installation	19
Positionnement de l'appareil	19
Branchements électriques	19
Branchements d'eau.....	20
Démarrage du lave-vaisselle.....	21
9) Guide de dépannage	22
Avant de faire appel à un technicien	22
Codes d'erreur.....	24
Informations techniques	25

Procédure de remplissage des paniers

1. CONSIGNES DE SÉCURITÉ IMPORTANTES



ATTENTION !

Lorsque vous utilisez votre lave-vaisselle, observez les précautions indiquées ci-dessous.

- n Cet appareil est exclusivement destiné à un usage domestique et à des applications similaires telles que :
 - cuisines dans des magasins, bureaux et autres environnements de travail ;
 - exploitations agricoles ;
 - hôtels, motels, chambres d'hôtes et autres environnements résidentiels ;
 - établissements de demi-pension.
- n Les enfants âgés de 8 ans et plus et les personnes dont les capacités physiques, sensorielles ou mentales sont réduites, ou encore les personnes dénuées d'expérience ou de connaissances pertinentes ne sont autorisés à utiliser l'appareil que sous la responsabilité d'une personne expérimentée ou s'ils ont reçu les instructions nécessaires à l'utilisation sécurisée de l'appareil et s'ils comprennent les risques encourus. Les enfants ne doivent pas jouer avec l'appareil. Le nettoyage et l'entretien ne doivent pas être effectués par des enfants sans supervision. (EN60335-1)
- n Les matériaux d'emballage peuvent être dangereux pour les enfants !
- n Cet appareil est exclusivement réservé à un usage domestique.
- n Pour éviter tout risque d'électrocution, veillez à ne jamais immerger l'appareil, le câble ou la prise dans l'eau ou dans tout autre liquide.
- n Veuillez débrancher l'appareil avant toute opération de nettoyage ou de maintenance de l'appareil.
- n Pour nettoyer l'appareil, utilisez un chiffon souple humidifié au savon doux, puis essuyez-le avec un chiffon sec.



CONSIGNES DE MISE À LA TERRE

- n Cet appareil doit être mis à la terre. En cas de dysfonctionnement ou de panne, la mise à la terre de l'appareil permet de réduire les risques d'électrocution en assurant une voie de faible résistance pour le courant électrique. Cet appareil est équipé d'une prise conductrice de mise à la terre.
- n La prise doit être branchée à une source adaptée qui est installée et mise à la terre conformément à l'ensemble des réglementations locales.
- n Un mauvais branchement du conducteur de mise à la terre peut entraîner un risque d'électrocution.
- n En cas de doute concernant la mise à la terre de l'appareil, faites appel à un électricien compétent ou à un représentant du service de réparation.
- n Ne modifiez pas la prise électrique fournie avec l'appareil. Si celle-ci n'est pas adaptée à votre prise secteur, faites installer une prise adéquate par un électricien compétent.
- n Veillez à ne pas maltraiter, à ne pas vous asseoir et à ne pas monter sur la porte ni sur les paniers du lave-vaisselle.
- n N'utilisez pas votre lave-vaisselle si toutes les parois ne sont pas correctement installées.
- n Faites preuve de prudence lorsque vous ouvrez la porte du lave-vaisselle alors que celui-ci est en marche : de l'eau peut s'en échapper.
- n Veillez à ne pas placer d'objets lourds et à ne pas monter sur la porte lorsque celle-ci est ouverte. L'appareil pourrait basculer.
- n Lorsque vous chargez de la vaisselle sale :
 - 1) Placez les éléments coupants de manière à ce qu'ils ne puissent pas endommager le joint de porte ;

2) Attention : les couteaux et autres ustensiles coupants peuvent être placés dans le panier à couvert tête vers le bas ou en position horizontale.

- n Vérifiez que l'intégralité du détergent en poudre ait été éliminé après la fin du cycle de lavage.
- n Assurez-vous que tous vos ustensiles en plastique présentent la mention « lavable au lave-vaisselle » ou une autre mention équivalente avant de les laver dans l'appareil.
- n Pour les ustensiles en plastique qui ne présentent aucune mention de ce type, vérifiez les recommandations du fabricant.
- n Utilisez uniquement des produits détergents et de rinçage recommandés pour les lave-vaisselle automatiques.
- n Ne mettez jamais de savon, de lessive ou de produit de lavage à la main dans votre lave-vaisselle.
- n Veillez à toujours refermer la porte de l'appareil pour éviter tout risque de chute.
Si le câble d'alimentation est endommagé, faites-le remplacer par le fabricant, par un réparateur agréé ou par une personne de compétence similaire afin d'éviter tout danger.
- n Lors de l'installation de l'appareil, veillez à ne pas plier ou aplatir excessivement ou dangereusement le système d'alimentation.
- n Veillez à ne pas trafiquer les commandes.
- n L'appareil doit être raccordé au robinet d'alimentation principale en eau à l'aide de flexibles neufs. Ne réutilisez pas vos anciens flexibles.
- n Le nombre maximal de couverts pouvant être lavés est 15.
- n La pression de l'eau à l'arrivée doit être égale ou inférieure à 1MPa.
- n La pression de l'eau à l'arrivée doit être égale ou supérieure à 0,04MPa.

Mise au rebut

n Les matériaux d'emballage de cet appareil sont recyclables. Jetez les emballages dans le conteneur prévu à cet effet dans un point de collecte des déchets afin qu'ils soient recyclés.

n Cet appareil ne doit pas être traité comme un déchet ménager.

Mise au rebut de l'appareil : ce symbole présent sur le produit ou son emballage indique que celui-ci ne peut être traité comme un déchet ménager. Il doit ainsi être rapporté au point de collecte prévu à cet effet (collecte et recyclage de matériels électriques et électroniques). En procédant à la mise au rebut de l'appareil dans les règles de l'art, nous préservons l'environnement et notre sécurité, en s'assurant ainsi que les déchets seront traités dans des conditions optimales.



Pour plus d'informations sur le recyclage de ce produit, contactez votre mairie, le service local de traitement des déchets ou le magasin où vous avez effectué l'achat.

⚠ ATTENTION !

n Rendez-vous dans un centre de recyclage pour mettre au rebut l'appareil et son emballage. Pour ce faire, vous devrez couper le câble d'alimentation et rendre le système de fermeture de la porte inutilisable.

n L'emballage en carton est fabriqué à partir de papier recyclé et doit être jeté avec les déchets papier pour être recyclé.

n En procédant à la mise au rebut de l'appareil dans les règles de l'art, nous préservons l'environnement et notre sécurité, en s'assurant ainsi que les déchets seront traités dans des conditions optimales.

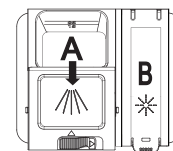
n Pour plus d'informations concernant le recyclage de ce produit, veuillez contacter votre mairie et votre centre local de traitement des ordures ménagères.

n MISE AU REBUT : Ne jetez pas cet appareil avec les déchets municipaux non triés. Cet appareil est à mettre au rebut séparément pour pouvoir être traité de manière adaptée.

2. Guide de prise en main

Pour plus d'informations détaillées concernant l'utilisation de l'appareil, référez-vous à la rubrique correspondante

Allumer l'appareil	Appuyez sur le bouton Marche/arrêt pour allumer l'appareil et ouvrez la porte.
Remplir le bac à détergent	<p>Ouvrez le bac à détergent (marqué A), remplissez-le de détergent, puis fermez le bac ;</p> <p>Le détergent pour le pré-lavage tombe directement dans le réservoir ; (Conformez-vous aux instructions d'utilisation !)</p>
Vérifier le niveau du produit de rinçage	Remplissez le bac à produit de rinçage par l'orifice situé sous le couvercle (marqué B) si besoin.
Vérifier le niveau du sel régénérant	<p>Sur les modèles avec système d'adoucisseur d'eau seulement.</p> <p>Indicateur électrique du bandeau de commandes (si disponible)</p> <p>Sur certains modèles, s'il n'existe pas de voyant d'alerte pour le niveau de sel, vous pouvez estimer le moment auquel il faut remplir l'adoucisseur, le nombre de cycle d'utilisation de votre lave-vaisselle.</p>
Mettre les paniers en place	Pour mettre les paniers en place, référez-vous à la rubrique intitulée « Mise en place des paniers du lave-vaisselle ».
Sélectionner un programme	Refermez la porte et appuyez sur les boutons Programme jusqu'à ce que le programme souhaité s'illumine. (Référez-vous à la rubrique « Consignes d'utilisation »)
Mettre le lave-vaisselle en marche.	Ouvrez l'arrivée d'eau et appuyez sur le bouton Démarrer/pause. L'appareil se met en marche au bout d'environ 10 secondes.
Changer de programme	<p>1. Un cycle en marche ne peut être modifié que s'il est en marche depuis peu de temps. Autrement, il est possible que le détergent ait déjà été libéré et que l'eau ait déjà été vidangée. Si c'est le cas, le bac à détergent doit être à nouveau rempli.</p> <p>2 Appuyez sur le bouton Démarrer/pause pour arrêter le cycle de lavage. Appuyez ensuite sur les boutons Programme <input checked="" type="checkbox"/> pendant plus de 3 secondes pour annuler le programme.</p> <p>3. Appuyez sur les boutons Programme pour sélectionner un nouveau programme.</p> <p>4. Appuyez sur « Démarrer/pause » : le lave-vaisselle se met en marche au bout de 10 secondes.</p>
Ajouter de la vaisselle dans le lave-vaisselle.	<p>1. Appuyez sur le bouton Démarrer/pause pour arrêter le cycle de lavage.</p> <p>2. Ouvrez légèrement la porte.</p> <p>3. Une fois que les bras de lavage cessent de fonctionner, ouvrez la porte totalement.</p> <p>4. Placez vos ustensiles dans l'appareil.</p> <p>5. Refermez la porte.</p> <p>6. Appuyez sur Démarrer/pause: le lave-vaisselle se met en marche au bout de 10 secondes.</p>
Si l'appareil est arrêté au cours d'un cycle de lavage.	Si l'appareil est arrêté au cours d'un cycle de lavage, remettez-le en marche et sélectionnez à nouveau le cycle de lavage.
Éteindre l'appareil.	Une fois le cycle de lavage terminé, l'appareil émet une alarme qui retentit 8 fois, puis s'arrête. Appuyez sur Marche/arrêt pour éteindre l'appareil.
Fermez l'arrivée d'eau, videz le lave-vaisselle	Attention : attendez quelques minutes (environ 15 minutes) avant de vider le lave-vaisselle afin d'éviter de devoir manipuler les ustensiles encore chauds, qui sont alors plus susceptibles de se casser. Ceci permet également un meilleur séchage de votre vaisselle. Commencez par vider le panier du bas.



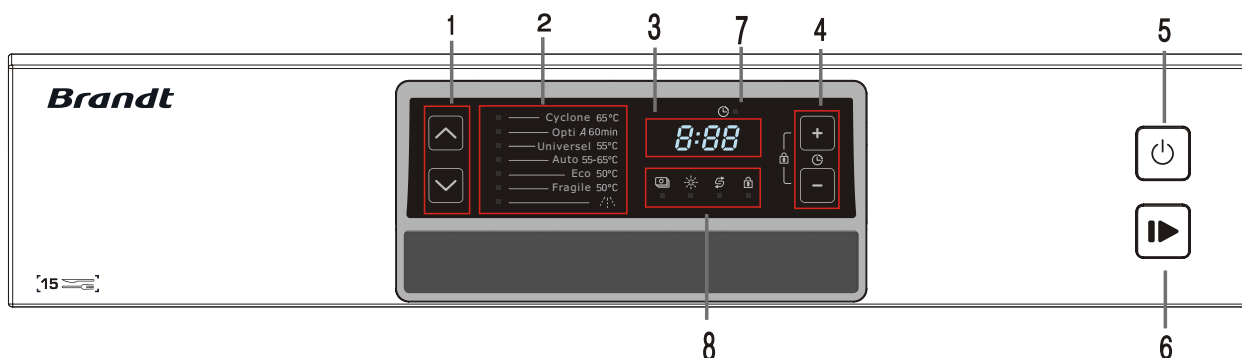
ATTENTION !
Faites preuve de prudence à l'ouverture de la porte. Prenez garde à la vapeur chaude qui s'échappera de l'appareil !

3. Consignes d'utilisation



IMPORTANT Pour garantir une performance optimale du lave-vaisselle, veuillez lire l'ensemble des consignes d'utilisation avant la première utilisation.

Bandeau de commandes



1. Boutons Programme : appuyez sur les boutons pour sélectionner un programme de lavage.

Appuyez simultanément sur les deux boutons pendant 3 secondes pour sélectionner la fonction « Tout en un ». Appuyez à nouveau pour annuler. La fonction « Tout en un » est active par défaut pour les programmes Intensif, 60 min, Universel et verres.

2. Indicateurs des programmes

3. Ecran d'affichage: pour afficher le temps restant et l'état (état de marche, départ différé, etc.)

4. Bouton de départ différé: appuyez sur le bouton pour retarder le temps de départ.

Appuyez sur les boutons + et - simultanément pour verrouiller la machine et éviter que des enfants changent le cycle de lavage ou le mettent en marche, appuyer à nouveau pour déverrouiller.

5. Bouton Marche/arrêt : met l'appareil sous tension/hors tension.

6. Bouton Démarrer/pause : permet de démarrer le programme de lavage sélectionné ou de mettre en pause le programme de lavage lorsque l'appareil est en marche.

7. Indicateur départ différé.

8. Voyants :

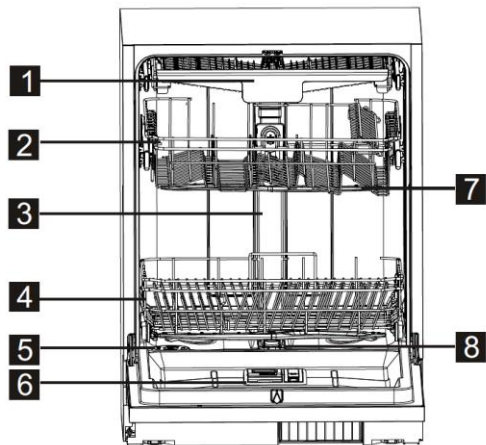
- Voyant « Tout en un » :
- Voyant du produit de rinçage :
- Voyant ajout de sel :
- Voyant sécurité enfants :

Attention

- Le pré-rinçage manuel de la vaisselle augmente la consommation d'énergie et d'eau et n'est pas recommandé.
- Laver la vaisselle au moyen d'un lave-vaisselle consomme généralement moins d'énergie et d'eau en fonctionnement que de laver la vaisselle à la main quand le lave-vaisselle ménager est utilisé conformément aux instructions du fabricant.

Fonctions du lave-vaisselle

Vue avant



1 Tiroir à couverts

2 Panier du haut

3 Tuyau interne

4 Panier du bas

5 Bac à sel

6 Bac

Vue arrière



7 Bras de lavage

8 Dispositif de filtration

9 Raccord du tuyau d'arrivée d'eau

10 Conduit de vidange

4. Avant la première utilisation

Avant d'utiliser votre lave-vaisselle pour la première fois :

- A. Réglez l'adoucisseur d'eau
- B. Ajoutez 1,5 kg de sel pour lave-vaisselle, puis ajoutez de l'eau
- C. Remplissez le compartiment à produit de rinçage de produit de rinçage
- D. Ajoutez le détergent

A. Adoucisseur d'eau

L'adoucisseur d'eau doit être réglé manuellement à l'aide du sélecteur de dureté d'eau. L'adoucisseur d'eau est conçu pour éliminer les minéraux et les sels de l'eau, qui peuvent altérer le bon fonctionnement de l'appareil.

Plus il y a de minéraux, plus votre eau est dure.

L'adoucisseur doit être réglé en fonction de la dureté de l'eau de votre région. Prenez contact avec votre Service des eaux local pour obtenir des informations sur la dureté de l'eau dans votre région.

Régler la consommation en sel

Ce lave-vaisselle est conçu pour permettre de régler la quantité de sel consommée en fonction de la dureté de l'eau utilisée. Cette fonction est destinée à optimiser et à personnaliser le niveau de consommation en sel.

Pour régler le niveau de consommation en sel, suivez la procédure ci-dessous :

1. Fermez la porte et allumez l'appareil ;
2. Appuyez sur Programme \wedge pendant plus de 5 secondes pour lancer le mode de réglage de l'adoucisseur d'eau (à faire dans les 60 secondes qui suivent l'allumage de l'appareil) ;
3. Appuyez sur Programme \wedge pour sélectionner le réglage correspondant à la dureté de l'eau de votre région, les paramètres se modifient en suivant le modèle de séquence suivant : H3->H4->H5->H6->H1->H2->H3 ;
4. N'appuyez sur aucun bouton pendant 5 secondes ou appuyez sur le bouton Marche/Arrêt pour enregistrer les paramètres sélectionnés et quitter le mode de réglage.

DURETÉ DE L'EAU				Réglage de l'adoucisseur	Consommation en sel (gramme/cycle)
°dH	°fH	°Clarke	Mmol/l		
0-5	0-9	0-6	0-0,94	H1	0
6-11	10-20	7-14	1,0-2,0	H2	9
12-17	21-30	15-21	2,1-3,0	H3	12
18-22	31-40	22-28	3,1-4,0	H4	20
23-34	41-60	29-42	4,1-6,0	H5	30
35-55	61-98	43-69	6,1-9,8	H6	60

Remarque : 1

1 dH=1,25°Clarke=1,78°fH=0,178mmol/l

dH : degré allemand

fH : degré français

Clark : degré anglais

Remarque : 2

Paramétrage d'usine : H3

! REMARQUE : Si votre modèle n'est pas équipé d'un adoucisseur d'eau, vous pouvez sauter cette rubrique.

ADOUCCISSEUR D'EAU

La dureté de l'eau varie selon les régions. Si le lave-vaisselle est utilisé avec de l'eau dure, des dépôts se formeront sur vos plats et vos ustensiles.

L'appareil est équipé d'un adoucisseur spécial qui repose sur un compartiment à sel spécifiquement conçu pour éliminer le calcaire et les minéraux présents dans l'eau.

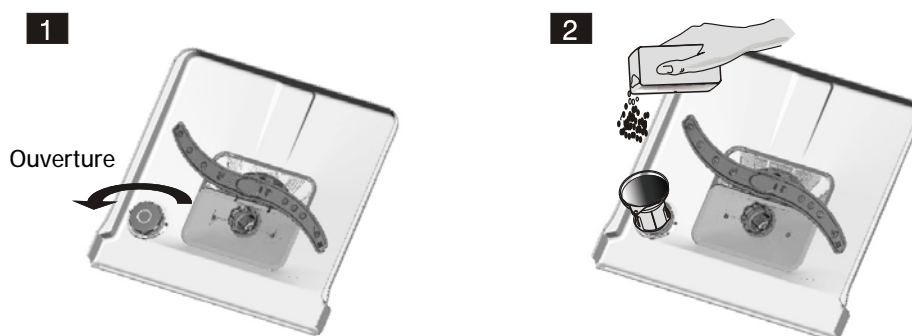
B. Ajout du sel dans l'adoucisseur

Veillez à toujours utiliser du sel spécialement conçu pour les lave-vaisselle.

Le compartiment à sel est situé sous le panier du bas et est à remplir selon la procédure suivante :

Attention !

- n Veillez à toujours utiliser du sel spécifiquement conçu pour les lave-vaisselle ! Les autres types de sel non spécifiquement conçus pour les lave-vaisselle, et notamment le sel de table, endommageront l'adoucisseur d'eau. En cas d'endommagement de l'appareil causé par l'utilisation de sel non adapté, le fabricant ne fournit aucune garantie et ne sera tenu responsable pour aucun dommage causé.
- n Veillez à ajouter du sel uniquement avant un cycle de lavage. Ceci permet d'empêcher que des grains de sel ou de l'eau salée éventuellement déversés demeurent dans le fond de l'appareil pendant une certaine durée, ceci pouvant donner lieu à une corrosion de la surface.

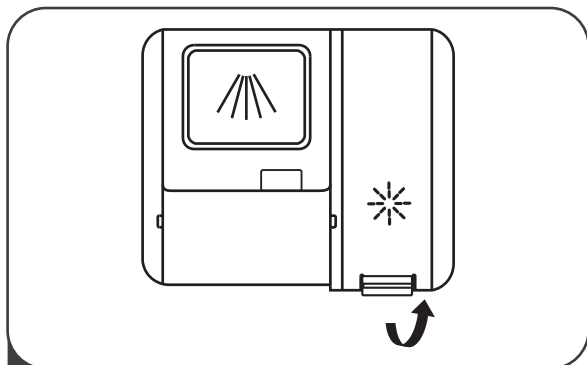


- A. Après avoir retiré le panier du bas, dévissez et retirez le couvercle du compartiment à sel. 1
- B. Positionnez l'extrémité de l'entonnoir (fourni) dans le trou et versez environ 1,5 kg de sel pour lave-vaisselle.
- C. Remplissez d'eau le compartiment à sel jusqu'à la limite. Il est normal qu'une petite quantité d'eau ressorte du compartiment à sel. 2
- D. Une fois le compartiment rempli, revissez fermement le couvercle.
- E. Le voyant d'alerte du sel s'arrête une fois que le compartiment a été rempli.
- F. Immédiatement après avoir rempli le compartiment à sel, vous devez lancer un programme de lavage (nous recommandons un programme court), afin d'éviter que le système de filtration, la pompe ou toute autre composant important de l'appareil ne puisse être endommagé par l'eau salée. L'endommagement dû à l'eau salée n'est pas couvert par la garantie.

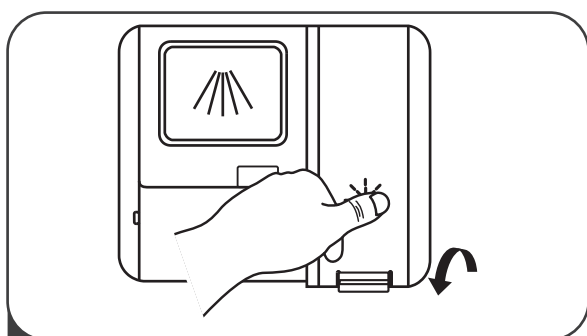
! REMARQUE :

1. Le compartiment à sel ne doit être rempli que lorsque le voyant d'alerte du sel du bandeau de commandes s'allume. Selon la vitesse de dissolution du sel, il est possible que le voyant d'alerte du sel reste allumé même après le remplissage du compartiment. S'il n'y a aucun voyant sur le bandeau de contrôle indiquant le niveau de sel (sur certains modèles), vous pouvez estimer le moment auquel il faut remplir l'adoucisseur de sel par le nombre de cycles que le lave-vaisselle à exécuter.
2. Si du sel a été déversé, lancez un programme de trempage ou un programme rapide pour l'éliminer.

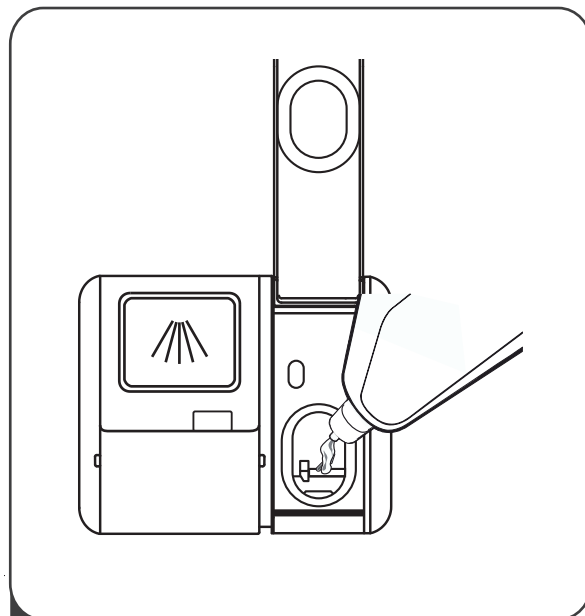
C. Remplissage du bac à produit de rinçage



- 1 Retirez le couvercle du bac à produit de rinçage en tirant sur la poignée.



- 3 Refermez le couvercle lorsque vous avez terminé.



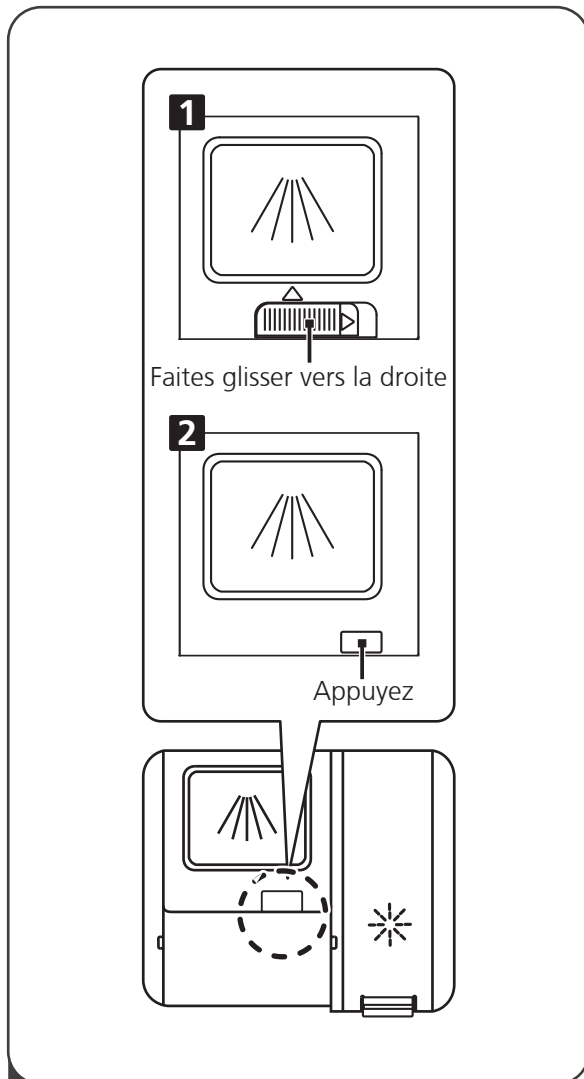
- 2 Versez le produit de rinçage dans le réservoir en veillant à ne pas dépasser le niveau maximum.

Réglage du bac à produit de rinçage

Afin d'obtenir des performances de séchage optimales avec une quantité minimale de produit de rinçage, le lave-vaisselle est conçu pour ajuster la consommation en fonction de l'utilisateur. Suivez les étapes ci-après :

1. Fermez la porte et allumez l'appareil ;
2. Dans un délai de 60 secondes à compter de l'étape 1, appuyez sur le bouton Programme ^ pendant plus de 5 secondes, puis appuyez sur le bouton Départ différé + pour accéder au réglage. Le voyant d'alerte du produit de rinçage clignote à une fréquence de 1 Hz.
3. Appuyez sur le bouton Programme ^ pour sélectionner le réglage du liquide de rinçage. Il y a 5 niveaux de réglage qui défilent dans l'ordre : D1 – D2 – D3 – D4 – D5. Le réglage d'origine D3 doit vous offrir le meilleur résultat de séchage et de brillance. En cas de mauvais séchage ou de traces, augmentez le réglage en tournant le sélecteur de D4 jusqu'à la position D5. D1 et D2 sont les réglages qui utilisent le moins de liquide rinçage mais qui ne garantissent pas forcément le meilleur résultat de séchage et de brillance.
4. N'appuyez sur aucun bouton pendant 5 secondes ou appuyez sur le bouton Marche/Arrêt pour enregistrer les paramètres sélectionnés et quitter le mode de réglage.

Remplissage du bac à détergent

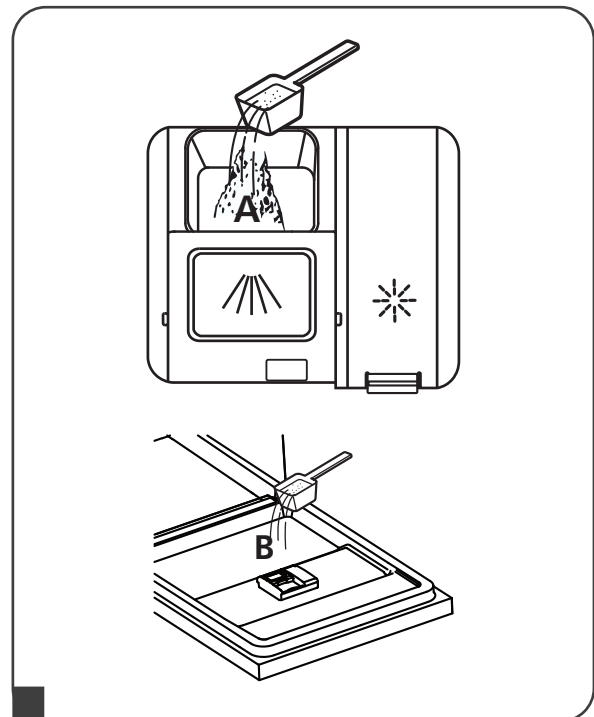


1 Optez pour la méthode d'ouverture correspondant à votre appareil :

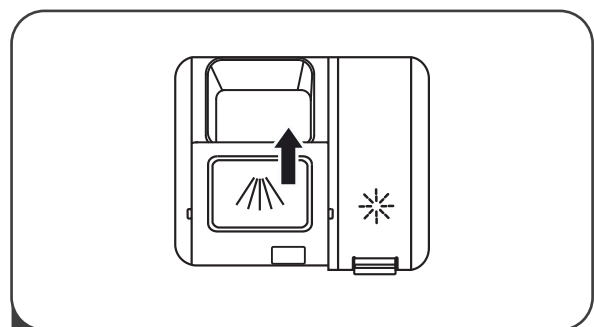
1. Ouvrez le couvercle en faisant glisser le loquet d'ouverture.
2. Ouvrez le couvercle en appuyant sur le loquet d'ouverture.

REMARQUE :

- Sachez qu'en fonction de la saleté de l'eau, les réglages peuvent différer.
- Veuillez observer les recommandations du fabricant indiquées sur l'emballage de votre détergent.



2 Ajoutez du détergent dans le plus grand bac (A) pour le cycle de lavage principal. Pour des performances de nettoyage optimales, surtout si votre vaisselle est très sale, versez une petite quantité de détergent sur la porte. Le détergent supplémentaire serait utilisé en phase de pré-lavage.



3 Pour fermer le couvercle, faites-le glisser vers l'avant puis appuyez dessus.

D. Fonction du détergent

Les ingrédients chimiques qui composent le détergent sont nécessaires pour éliminer, décomposer et évacuer les saletés du lave-vaisselle. La majorité des détergents de qualité commerciale conviennent à cette fin.

Attention !

Utilisation du détergent

N'utilisez que des détergents spécifiquement conçus pour les lave-vaisselle. Votre détergent doit toujours être frais et sec. Ne mettez pas de détergent en poudre dans le bac avant d'être prêt à lancer un cycle de lavage.

Détergent

Il existe 3 sortes de détergents

1. Détergent au phosphate et au chlore
2. Détergent au phosphate et sans chlore
3. Détergent sans phosphate et sans chlore

Généralement, les nouveaux détergents à pulvériser sont sans phosphate. Dans ce cas, la fonction adoucissante de l'eau du phosphate n'est pas assurée. Si vous utilisez ce type de détergent, nous vous recommandons de remplir le compartiment à sel même lorsque la dureté de votre eau est seulement à 6 dH. Si vous utilisez un détergent sans phosphate et que votre eau est dure, vous verrez régulièrement apparaître des taches blanches sur vos verres et votre vaisselle. Si c'est le cas, ajoutez davantage de détergent pour obtenir de meilleurs résultats. Les détergents sans chlore blanchissent quelque peu la vaisselle. Les taches résistantes et colorées ne seront pas complètement éliminées. Si c'est le cas, sélectionnez un programme qui fonctionne à une température plus importante.

Détergents concentrés

Selon leur composition chimique, on peut distinguer deux types fondamentaux de détergents :

- les détergents alcalins conventionnels à composants caustiques
- les détergents concentrés peu alcalins à enzymes naturels

Détergents en tablettes

Les détergents en tablettes de différentes marques se dissolvent à différentes vitesses. Ceci explique que certains détergents en tablettes ne peuvent se dissoudre et développer leur pouvoir de nettoyage complet lors de programmes de lavage courts. Par conséquent, il convient de sélectionner des programmes longs lorsque vous utilisez des détergents en tablettes afin de garantir l'élimination complète des résidus de détergent.

Le bac à détergent

Le bac est à remplir avant le début de chaque cycle de lavage conformément aux instructions fournies dans le tableau des cycles de lavage. Votre lave-vaisselle consomme moins de détergent et de produit de rinçage que les lave-vaisselle conventionnels. Généralement, une seule cuillère à soupe de détergent suffit pour un lavage ordinaire. Les ustensiles présentant plus de taches résistantes requièrent plus de détergent. Veillez à toujours mettre votre détergent dans l'appareil juste avant de le mettre en marche afin d'éviter qu'il s'humidifie et ne puisse pas se dissoudre correctement.

5. Préparation et chargement de la vaisselle

Recommandations

- n Essayez de privilégier l'achat d'ustensiles portant la mention « lavable au lave-vaisselle ».
- n Utilisez un détergent doux pour tous types de plats. Si nécessaire, demandez des informations complémentaires au fabricant du détergent.
- n Pour les plats ou ustensiles fragiles, sélectionnez un programme fonctionnant à la température la plus basse possible.
- n Ne sortez pas vos verres et vos couverts du lave-vaisselle immédiatement après la fin du programme afin d'éviter tout risque d'endommagement.

Lavage des types de couverts/plats suivants

Ne conviennent pas

- n Couverts à anse en bois, en porcelaine ou en nacre
- n Objets en plastique qui ne résistent pas à la chaleur
- n Couverts anciens dotés d'éléments collés qui ne résistent pas aux hautes températures
- n Couverts ou plats avec colle
- n Éléments en étain ou en cuivre
- n Verres en cristal
- n Objets en acier pouvant rouiller
- n Plateaux en bois
- n Objets en fibres synthétiques

Conviennent dans une mesure restreinte

- n Certains types de verres peuvent se ternir au bout d'un certain nombre de lavages
- n Les éléments en argent et en aluminium ont tendance à se décolorer au lavage
- n Les motifs vitrés peuvent s'estomper s'ils sont fréquemment lavés au lave-vaisselle

Recommandations pour le remplissage et le déchargement du lave-vaisselle

(Pour garantir une performance optimale du lave-vaisselle, observez les prescriptions suivantes. Les fonctionnalités et l'apparence des paniers peuvent varier selon les modèles.)

Raclez les plats et couverts sur lesquels demeurent des quantités importantes d'aliments. Faites ramollir les restes d'aliments brûlés dans vos poêles et casseroles.

Il n'est pas nécessaire de rincer vos plats et assiettes à l'eau courante.

Les différents éléments à laver sont à placer comme suit dans l'appareil :

1. Les objets tels que les tasses, verres, casseroles/poêles, etc. doivent être retournés.
2. Les objets incurvés ou présentant des renforcements doivent être positionnés de manière oblique afin que l'eau puisse s'en écouler.
3. Tous les ustensiles doivent être placés de manière à bien tenir en place et à ne pas se renverser.
4. Tous les ustensiles doivent être placés de manière à laisser assez d'espace pour que les bras de lavage puissent tourner librement pendant le lavage.



REMARQUE : Évitez de laver les éléments très petits au lave-vaisselle : ceux-ci peuvent facilement tomber des paniers.

- n Les objets creux tels que les tasses, verres, casseroles, etc. doivent être orientés ouverture vers le bas afin d'éviter que l'eau ne stagne dans le contenant.
- n Les plats et couverts ne doivent pas être empilés les uns sur les autres ni se recouvrir.
- n Faites en sorte d'éviter que les verres ne se touchent pour éviter tout dégât.
- n Les objets de grande taille et ceux qui sont difficiles à nettoyer doivent être placés dans le panier du bas.
- n Le panier du haut est destiné à la vaisselle plus délicate et plus légère, telle que les verres et les tasses.
- n Les couteaux à lame longue représentent un danger si leur pointe est orientée vers le haut !
- n Les couverts longs et/ou tranchants tels que les couteaux à découper sont à placer à l'horizontale dans le panier du haut.
- n Veillez à éviter de surcharger le lave-vaisselle. Ceci est important pour obtenir de bons résultats et optimiser la consommation d'énergie.

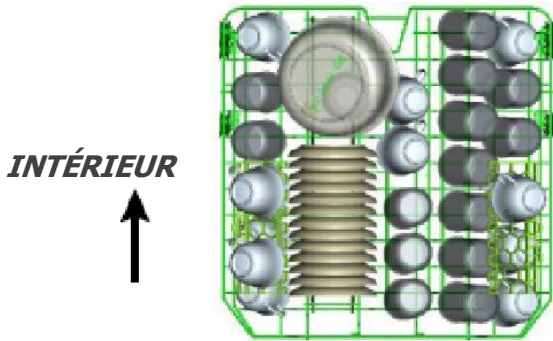
Décharger votre vaisselle

Afin d'éviter que de l'eau du panier du haut ne s'écoule dans le panier du bas, nous vous recommandons de vider le panier du bas en premier lieu.

Procédure de remplissage standard

A. Panier du haut

Le panier du haut est destiné aux objets plus délicats et plus légers, tels que les verres, tasses, soucoupes, assiettes, petits bols, ainsi que les poêles et casseroles peu profondes (à condition que ceux-ci ne soient pas trop sales). Positionnez vos plats et couverts de manière à ce qu'ils ne puissent bouger sous la pression de l'arrosage.



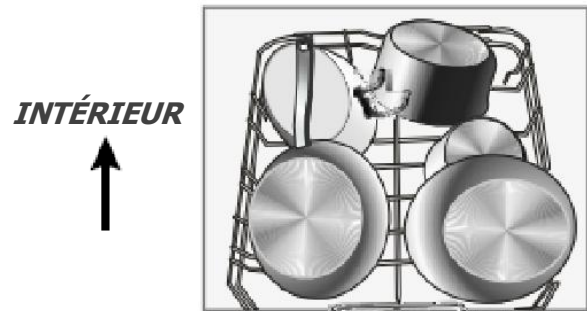
Souvenez-vous que :

- les casseroles, saladiers, etc. doivent toujours être orientés vers le bas.
- les casseroles profondes doivent être inclinées pour permettre l'écoulement de l'eau.
- le panier du bas est doté de pics rabattables qui permettent de placer des casseroles et plats supplémentaires ou plus grands.

B. Panier du bas

Nous vous recommandons de placer les objets les plus grands et ceux qui sont le plus difficile à nettoyer dans le panier du bas (casseroles, poêles, couvercles, plats de service et saladiers) comme illustré ci-dessous. Il est préférable de placer vos plats et couvercles de service sur le côté des compartiments afin d'éviter de bloquer la rotation du bras de lavage.

Le diamètre maximum conseillé pour les assiettes devant la boîte à produits est de 19 cm, ceci afin de ne pas gêner son ouverture



C. Régler le panier du haut

Vous pouvez aisément régler la hauteur du panier du haut pour l'adapter à des plats plus grands disposés dans le panier du haut ou celui du bas. Pour élever le compartiment, soulevez les deux côtés du compartiment jusqu'à ce qu'ils soient à la même hauteur. Le compartiment se bloque en place. Pour abaisser le compartiment, appuyez sur le manche, puis relâchez-le.

Soulevez le panier

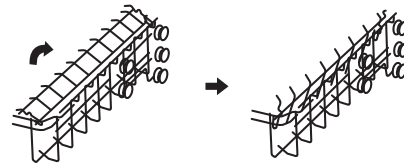


Appuyez sur le manche



D. Rabattre les supports à tasses

Pour faire de la place dans le panier supérieur pour les objets plus grands, soulevez le support à tasses vers le haut. Vous pouvez alors appuyer les grands verres contre celui-ci. Vous pouvez également le retirer lorsqu'il ne vous est pas utile.



E. Rabattre les pics du panier du bas

Pour permettre un meilleur empilage des casseroles et poêles, les pics peuvent être rabattus, comme le montre l'illustration en bas.

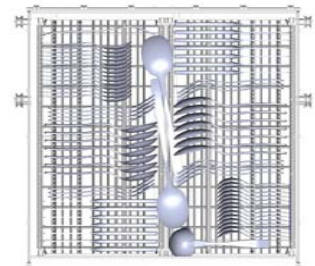


F. Remplissage du panier à couverts

Les couverts doivent être placés dans le panier à couverts séparément les uns des autres dans des positions appropriées. Assurez-vous que les couverts ne nichent pas ensemble, car cela peut diminuer le pouvoir de lavage.

Pour garantir votre sécurité et un nettoyage optimal, placez votre argenterie dans le panier en faisant en sorte que :

- les couverts ne s'imbriquent pas les uns dans les autres.
- l'argenterie est placée avec le mâle tourné vers le haut
- les ustensiles longs soient placés au milieu.



ATTENTION !

- Ne laissez aucun couvert sortir par le bas du panier.
- Placez toujours les ustensiles tranchants pointe vers le bas !

6. Lancer un programme de lavage

Tableau des cycles de lavage

! **REMARQUE :** (★) signifie que le compartiment à produit de rinçage doit être rechargé.

Programme	Informations sur la sélection du cycle	Description du cycle	Détergent cycle principal/p ré-lavage	Durée (min) ^(a)	Énergie (kWh)	Eau (L)	Produit de rinçage	Durée (min) ^(b)
Cyclone 65°C Intensif	Pour la vaisselle très sale et les casseroles, poêles et plats, etc. présentant un niveau de saleté normal mais des résidus séchés.	Pré-lavage (50 °C) Lavage (65 °C) Rinçage Rinçage Rinçage (60 °C) Séchage	4/19g (1 or 2 pièces)	205	1,651	16,5	★	220
Opti 460min Une heure	Pour la vaisselle légèrement sale qui ne requiert pas un haut niveau de séchage	Lavage (55 °C) Rinçage Rinçage (50 °C) Séchage	23g (1 pièces)	60	0,853	11,5	★	80
Universel 55°C Universel	Pour la vaisselle présentant un niveau de saleté normal, notamment les casseroles, assiettes, verres et poêles légèrement sales.	Pré-lavage (45 °C) Lavage (55 °C) Rinçage Rinçage Rinçage (60 °C) Séchage	4/19g (1 or 2 pièces)	175	1,451	16,5	★	195
Auto 55-65°C Auto	Lavage à détection automatique, vaisselle présentant un niveau de saleté faible, normal ou important avec ou sans résidus séchés	Pré-lavage (45 °C) Lavage (55-65 °C) Rinçage Rinçage Rinçage (50-55 °C) Séchage	4/19g (1 or 2 pièces)	85-150	1,05-1,551	10,6-15,9	★	/
Eco 50°C ECO (* EN 60436)	Ce programme normalisé, est adapté pour laver la vaisselle présentant un niveau de saleté normal et constitue le programme le plus efficient en termes de consommation d'énergie et d'eau pour ce type de vaisselle.	Lavage (50 °C) Rinçage Rinçage (50 °C) Séchage	23g (1 or 2 pièces)	210	0,861	10	★	230
Fragile 50°C Verre	Pour la vaisselle et le verre légèrement sales.	Pré-lavage (40 °C) Lavage (50 °C) Rinçage Rinçage (50 °C) Séchage	4/19g (1 or 2 pièces)	120	0,902	13,5	★	135
/ \ \ Trempage	Pour rincer de la vaisselle que vous prévoyez de laver plus tard dans la journée	Pré-lavage	/	15	0,021	4		/

! **REMARQUE :** Durée du programme (min)^(a): avec la fonction « Tout en un »
Durée du programmes (min)^(b): sans la fonction « Tout en un »
La fonction « Tout en un » est active par défaut pour les programmes Intensif, 60 min, Universel et verres.

* EN 60436: ce programme est le cycle test. Informations utiles pour le test de comparabilité au titre de la norme EN 60436:
Les valeurs données pour les programmes autres que le programme Eco sont purement indicatives.
c Capacité : 15 couverts
c Panier du haut : position basse.
c Mode distribution du produit de rinçage : 5
c Po : 0,49W

Mettre l'appareil en marche

Lancer un cycle de lavage

- 1 Tirez le panier du bas, placez-y votre vaisselle et repoussez le panier dans l'appareil. Il est recommandé de remplir le panier du bas en premier lieu, avant celui du haut (cf. rubrique intitulée « Remplir le lave-vaisselle »).
- 2 Versez le détergent (cf. rubrique intitulée « Sel, détergent et produit de rinçage »).
- 3 Branchez la prise. L'alimentation électrique est de 220-240 VAC /50 Hz, et la prise est de 10A 250VAC. Assurez-vous que l'arrivée d'eau est bien réglée sur le mode pression totale.
- 4 Fermez la porte, appuyez sur le bouton Marche/arrêt, le voyant Marche/arrêt s'allume.
- 5 Appuyez sur les boutons Programme pour sélectionner le programme souhaité. Lorsqu'un programme est sélectionné, le voyant correspondant s'allume. Appuyez ensuite sur le bouton Démarrer/pause : l'appareil démarre son cycle de lavage.

! REMARQUE :

Lorsque vous appuyez sur le bouton Démarrer/pause pour mettre le lave-vaisselle en pause au cours d'un cycle de lavage, le voyant de fonctionnement s'arrête de clignoter jusqu'à ce que vous appuyiez à nouveau sur Démarrer/pause.

Changer de programme en cours de cycle

Remarques préalables :

- c Un cycle en marche ne peut être modifié que s'il est en marche depuis peu de temps. Autrement, il est possible que le détergent ait déjà été libéré et que l'eau ait déjà été vidangée. Si c'est le cas, le bac à détergent doit être à nouveau rempli (cf. rubrique intitulée « Ajout du détergent »).
- c Appuyez sur Démarrer/pause pour arrêter le lavage, puis appuyez sur les boutons Programme pendant plus de 3 secondes : le programme en cours s'annule. Appuyez à nouveau sur les boutons Programme pour sélectionner le programme souhaité, puis appuyez sur Démarrer/pause.
Le lave-vaisselle se met en marche au bout de 10 secondes. (cf. rubrique intitulée « Lancer un cycle de lavage »).

! REMARQUE :

Si vous ouvrez la porte alors qu'un cycle est en cours, l'appareil se met en pause. Le voyant correspondant au programme clignote jusqu'à ce que vous refermiez la porte. Une fois la porte refermée, l'appareil se remet en route au bout de 10 secondes.

Rajouter de la vaisselle

Vous pouvez rajouter de la vaisselle à tout moment avant l'ouverture du bac à détergent.

- 1** Ouvrez légèrement la porte
- 2** Une fois que les bras de lavage cessent de fonctionner, ouvrez la porte totalement.
- 3** Placez vos ustensiles dans l'appareil.
- 4** Refermez la porte.
- 5** Appuyez sur Démarrer/pause. Le lave-vaisselle se met en marche au bout de 10 secondes.

À la fin du cycle de lavage

Lorsque le cycle de lavage est terminé, éteignez l'appareil en appuyant sur Marche/arrêt, coupez l'arrivée d'eau, puis ouvrez la porte du lave-vaisselle. Attendez quelques minutes avant de vider le lave-vaisselle afin d'éviter de devoir manipuler les ustensiles encore chauds, qui sont alors plus susceptibles de se casser. Ceci permet également un meilleur séchage de votre vaisselle.

c Éteindre le lave-vaisselle

Lorsque le voyant Programme est allumé, mais ne clignote pas, cela signifie que le programme est terminé.

1. Éteignez le lave-vaisselle en appuyant sur Marche/arrêt.
2. Coupez l'arrivée d'eau !

c Faites preuve de prudence à l'ouverture de la porte.

Lorsqu'elle est chaude, la vaisselle est plus sensible aux chocs. Laissez votre vaisselle refroidir pendant environ 15 minutes avant de la sortir de l'appareil.

Ouvrez la porte du lave-vaisselle, laissez-la entrouverte et attendez quelques minutes avant de sortir votre vaisselle. Ainsi, ceci permet à la vaisselle de refroidir et garantit un meilleur séchage.

c Vider le lave-vaisselle

Il est normal que l'intérieur du lave-vaisselle soit mouillé.

Videz le panier du bas en premier lieu, puis passez au panier du haut. Ceci vous permettra d'éviter que de l'eau ne s'écoule depuis le panier du haut sur la vaisselle présente dans le panier du bas

! ATTENTION !

Ouvrir la porte au cours d'un cycle est dangereux : la vapeur chaude qui s'échappe peut vous brûler.

Ouverture de porte automatique

La porte du lave-vaisselle s'ouvre automatiquement à la fin du programme, ce qui améliore les résultats de séchage. (Si le lave-vaisselle est intégré, le plan de travail doit résister à la condensation).

! REMARQUE :

Aucun objet ne doit empêcher l'ouverture automatique de la porte. Cela pourrait endommager le système de verrouillage de la porte.

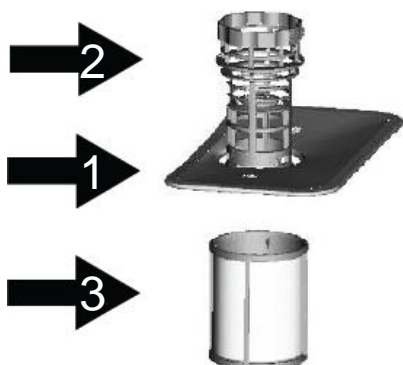


7. Nettoyage entretien

Système de filtration

Le filtre permet d'empêcher les restes d'aliments et les autres objets les plus gros de pénétrer dans la cuve. Les résidus peuvent bloquer le filtre, auquel cas il conviendra de les retirer.

Le système de filtration consiste en un filtre primaire, un filtre plan (filtre principal) et un micro filtre (filtre fin).



Filtre principal 1

Les aliments et autres particules capturés par le filtre sont pulvérisés par un jet spécial émanant du bras de lavage inférieur, puis évacués dans le tuyau d'évacuation.

Filtre primaire 2

Les résidus de taille plus importante, tels que les morceaux d'os ou de verre, qui pourraient bloquer l'évacuation sont capturés par le filtre primaire. Pour retirer les objets capturés par le filtre, pincez légèrement la tête du filtre et soulevez-le.

Filtre fin 3

Ce filtre empêche les résidus et autres particules de sortir du bassin collecteur et de se redéposer sur la vaisselle lors du cycle de lavage.

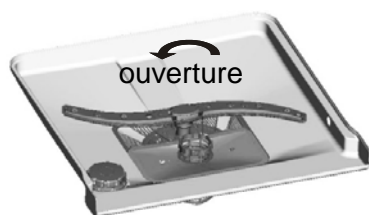
Dispositif de filtration

Le filtre élimine efficacement les particules alimentaires de l'eau de lavage et permet de la recycler au cours du cycle. Pour une performance et des résultats optimaux, le filtre est à nettoyer régulièrement. Ceci explique pourquoi il est recommandé de retirer les particules alimentaires les plus grosses capturées par le filtre après chaque cycle de lavage en rinçant le filtre et le récipient semi-circulaires à l'eau courante. Pour retirer le dispositif de filtration, tirez la poignée du récipient vers le haut.

⚠ ATTENTION !

- ⌚ Le lave-vaisselle ne doit jamais fonctionner sans les filtres.
- ⌚ Un filtre mal remis en place peut réduire le niveau de performance de l'appareil et endommager votre vaisselle.

1



Étape 1 : tournez le filtre dans le sens inverse des aiguilles d'une montre.

2



Étape 2 : soulevez le dispositif de filtration



REMARQUE : Suivez cette procédure dans l'ordre indiqué pour retirer le système de filtration, et inversez l'ordre des étapes pour le remettre en place.

Remarques :

- Après chaque cycle, vérifiez l'absence de débris dans le filtre afin d'éviter tout risque de blocage ultérieur.
- Vous pouvez retirer le système de filtration en dévissant le filtre primaire. Retirez tous résidus alimentaires et nettoyez les filtres à l'eau courante.

! **REMARQUE** : Il convient de nettoyer l'ensemble du système de filtration une fois par semaine.

Nettoyer le filtre

Pour nettoyer le filtre primaire et le filtre fin, utilisez une brosse. Réassemblez les éléments de filtration (cf. page 17), puis réinsérez-les dans le lave-vaisselle en les replaçant dans l'emplacement destiné, puis en appuyant dessus.

! **ATTENTION !** Attention à ne pas cogner les filtres lorsque vous les nettoyez. Ceci pourrait tordre les filtres et nuire à la performance du lave-vaisselle.

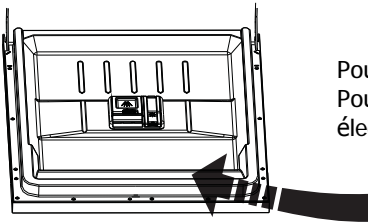
Entretien du lave-vaisselle

Le bandeau de commandes peut être nettoyé à l'aide d'un chiffon légèrement humidifié. Après le nettoyage, veillez à bien le sécher.

Pour l'extérieur, utilisez une cire à lustrer spéciale équipements électroménagers.

N'utilisez jamais d'objets coupants, de tampons à récurer ou de produits de nettoyage agressifs pour nettoyer le lave-vaisselle.

Nettoyage de la porte



Pour nettoyer les bords de la porte, utilisez un chiffon souple, tiède et humidifié. Pour éviter toute pénétration d'eau dans le dispositif de fermeture de la porte et les composants électroniques, évitez toute utilisation de produits nettoyants en spray.

! ATTENTION !

- ⊘ N'utilisez jamais de produit nettoyant en spray pour nettoyer la porte : celui-ci pourrait endommager le dispositif de fermeture de la porte et les composants électroniques.
- ⊘ Les agents abrasifs ainsi que certains types d'essuie-tout sont à proscrire car ils risquent d'érafler ou de laisser des traces sur la surface en acier inoxydable.

Préparation du lave-vaisselle pour l'hiver

Pensez à prendre des mesures de protection contre le givre pour votre lave-vaisselle en hiver. Après chaque cycle de lavage, suivez la procédure suivante :

1. Mettez le lave-vaisselle hors tension au niveau de la source d'alimentation.
2. Coupez l'arrivée d'eau et débranchez le tuyau d'arrivée d'eau du robinet d'alimentation.
3. Vidangez l'eau du tuyau d'arrivée d'eau et du robinet d'eau. (Servez-vous d'une casserole pour récupérer l'eau)
4. Rebranchez le tuyau d'arrivée d'eau au robinet d'alimentation.
5. Retirez le filtre au fond de la cuve et rincez l'eau présente dans le bassin à l'aide d'une éponge.

! **REMARQUE** : Si votre lave-vaisselle ne fonctionne pas à cause du givre, prenez contact avec un réparateur professionnel.

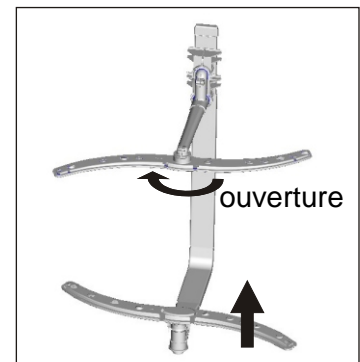
Nettoyer les bras de lavage

Il est nécessaire de nettoyer les bras de lavage régulièrement afin d'éviter que les particules chimiques de l'eau dure n'obstruent les jets et les roulements des bras de lavage.

Pour retirer le bras de lavage supérieur, maintenez l'écrou et faites tourner le bras dans le sens des aiguilles d'une montre.

Pour retirer le bras de lavage inférieur, tirez-le vers le haut.

Lavez les bras dans une eau tiède et savonneuse et nettoyez les jets à l'aide d'une brosse souple. Rincez-les complètement, puis remettez-les en place.



Maintenir votre lave-vaisselle en bon état

☞ Après chaque lavage

Après chaque lavage, coupez l'arrivée d'eau et laissez la porte légèrement ouverte afin que l'humidité et les odeurs puissent s'échapper.

☞ Débranchez la prise

Débranchez la prise avant toute opération de nettoyage ou de maintenance.

☞ Nettoyage sans solvants ni produits abrasifs

Pour nettoyer l'extérieur et les pièces en caoutchouc de votre lave-vaisselle, n'utilisez ni solvants, ni produits de nettoyage abrasifs. Tenez-vous en à un chiffon imprégné d'eau tiède savonneuse.

Pour éliminer les traces présentes sur les surfaces internes, utilisez un chiffon humidifié à l'eau avec un peu de vinaigre ou un produit de nettoyage spécifiquement conçu pour les lave-vaisselle.

☞ Inutilisation pendant une durée importante

Il est recommandé de lancer un cycle de lavage à vide et de débrancher la prise, de couper l'arrivée d'eau et de laisser la porte légèrement entrouverte. Ceci permettra d'optimiser la durée de vie des joints de porte et d'empêcher la formation d'odeurs à l'intérieur de l'appareil.

☞ Déplacer l'appareil

Si vous devez déplacer l'appareil, essayez de le maintenir en position verticale. En cas de nécessité absolue, vous pouvez le positionner sur l'arrière.

☞ Joints

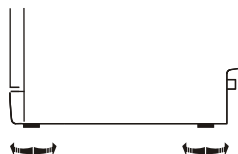
L'un des facteurs qui favorisent la formation d'odeurs dans le lave-vaisselle est la présence de résidus alimentaires dans les joints. Un nettoyage régulier des joints à l'aide d'une éponge humide permettra d'éviter ce phénomène.

8. Consignes d'installation

Positionnement de l'appareil

Installez l'appareil dans le lieu souhaité. L'arrière de l'appareil doit être placé contre le mur, et les parois latérales contre les parois ou murs adjacents. Le lave-vaisselle est équipé de tuyaux d'arrivée d'eau et de vidanges qui peuvent être positionnés aussi bien à gauche qu'à droite de l'appareil afin de faciliter son installation.

Mise à niveau de l'appareil



Une fois l'appareil installé dans son emplacement, vous pouvez ajuster la hauteur du lave-vaisselle en réglant le niveau des pieds. Dans tous les cas, l'appareil ne doit pas être incliné à plus de 2°.

Branchements électriques

⚠ ATTENTION !

Pour votre sécurité :

• N'utilisez pas de rallonge ou d'adaptateur avec cet appareil.

• Quelles que soient les circonstances, veillez à ne jamais couper ou retirer les branchements de mise à la terre.

Alimentation électrique

Référez-vous à la plaque signalétique de l'appareil pour connaître la tension requise afin de brancher votre lave-vaisselle à une source d'alimentation adaptée.

Utilisez des fusibles 10amp, le fusible temporisé ou le disjoncteur recommandés et aménagez un circuit distinct réservé à cet appareil.

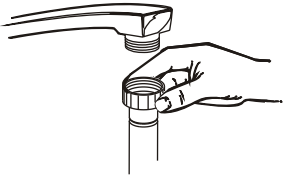
Branchements électriques

⚠ Assurez-vous de l'existence d'un branchement de mise à la terre avant d'utiliser votre lave-vaisselle

Vérifiez les propriétés de la source d'alimentation électrique. Les propriétés relatives à la tension, la fréquence et les phases doivent correspondre à celles qui sont indiquées sur la plaque signalétique. Veillez à ne brancher la prise au secteur qu'une fois la mise à la terre assurée. Si la prise électrique à laquelle l'appareil doit être branché n'est pas adaptée, remplacez-la plutôt que d'utiliser un adaptateur ou autre dispositif, lesquels pouvant entraîner une surchauffe et des brûlures.

Branchements d'eau

Branchements d'eau froide



Raccordez le tuyau d'arrivée d'eau froide à un raccord fileté 3/4 et assurez-vous qu'il soit bien serré.

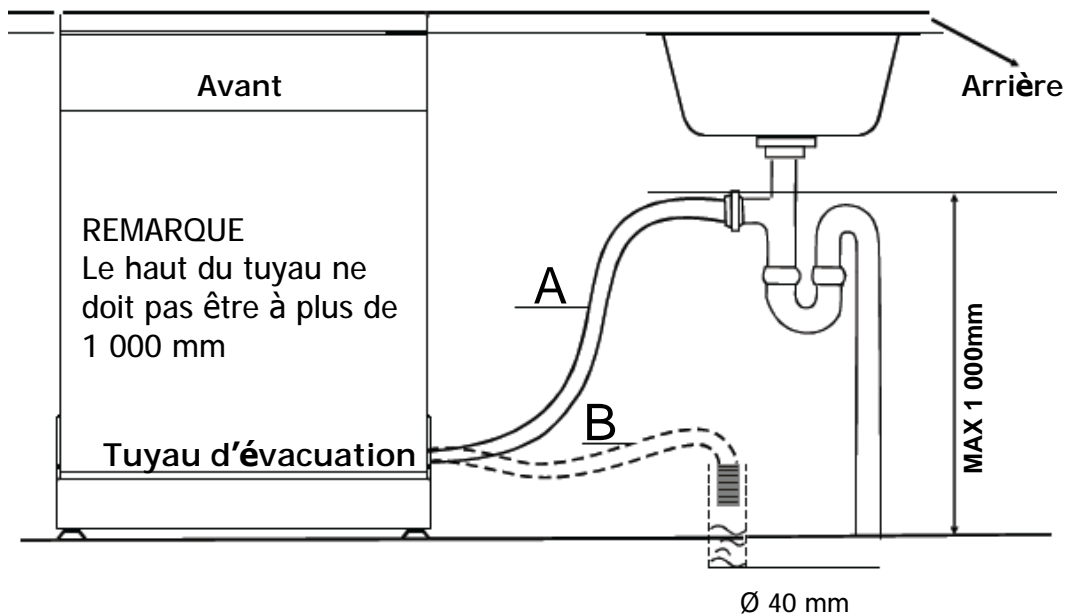
Si vos tuyaux d'eau sont neufs ou n'ont pas été utilisés pendant une durée importante, laissez d'abord couler l'eau pour vous assurer qu'elle soit claire. Cette précaution est nécessaire pour éviter le risque que l'arrivée d'eau soit bloquée et endommage l'appareil.

⚠ ATTENTION ! Refermez la prise d'eau après utilisation.

Raccordement du tuyau d'évacuation

Insérez le tuyau d'évacuation dans un conduit d'évacuation de diamètre 40 mm minimum, ou laissez-le couler dans la cuve correspondant à l'évier en veillant à éviter de le plier ou de le pincer. La hauteur du conduit d'évacuation doit être inférieure à 1 000 mm.

⚠ RACCORDEZ LE TUYAU D'ÉVACUATION DE L'UNE DES DEUX MANIÈRES SUIVANTES



Comment vidanger l'excédent d'eau des tuyaux

Si l'évier est situé à plus de 1 000 mm du sol, l'excédent d'eau demeurant dans les tuyaux ne peut être évacué directement dans l'évier. Il sera nécessaire de vidanger l'excédent d'eau dans un saladier ou un autre récipient adapté maintenu à l'extérieur et à un niveau inférieur à celui de l'évier.

Sortie d'eau

Raccordez le tuyau d'évacuation. Le tuyau d'évacuation doit être correctement installé pour éviter toute fuite d'eau. Assurez-vous que le tuyau d'évacuation n'est ni plié, ni écrasé.

Tuyau de rallonge

Si vous avez besoin d'un tuyau de rallonge pour la vidange, veillez à bien utiliser un tuyau similaire. Celui-ci ne doit pas excéder 4 mètres de longueur, à défaut de quoi la performance du lave-vaisselle pourrait être réduite.

Raccordement du siphon

La distance entre le raccord d'évacuation et le fond de l'appareil ne doit pas excéder 1 000 mm. Le tuyau d'évacuation doit être fixé.

Démarrage du lave-vaisselle

Il convient d'effectuer les vérifications suivantes avant de mettre en route votre lave-vaisselle.

- 1 Le lave-vaisselle est bien à niveau et correctement installé
- 2 La valve d'arrivée d'eau est ouverte
- 3 Pour éviter toute fuite d'eau, vérifiez que la valve d'arrivée d'eau est bien raccordée au lave-vaisselle
- 4 Les câbles sont solidement raccordés
- 5 L'appareil est sous tension
- 6 Les tuyaux d'arrivée d'eau et de vidange ne présentent aucun nœud
- 7 Tous les matériaux d'emballage et toute la documentation ont été retirés du lave-vaisselle.



REMARQUE : *Après installation, veillez à conserver ce guide d'utilisation : son contenu est très utile pour les utilisateurs.*

9. Guide de dépannage

Avant de faire appel à un technicien

Vous référer aux tableaux suivants peut vous éviter de devoir appeler un technicien.



	Problème	Causes possibles	Que faut-il faire ?	
Problèmes techniques	Le lave-vaisselle ne démarre pas	Un fusible ou le disjoncteur a sauté	Changez le fusible ou rétablissez le disjoncteur. Débranchez tous autres appareils électriques branchés sur le même circuit que votre lave-vaisselle	
		L'appareil n'est pas sous tension	Vérifiez que le lave-vaisselle est sous tension et que la porte est bien fermée. Vérifiez que le câble d'alimentation est bien branché à la prise secteur.	
		La pression de l'eau est faible	Vérifiez que l'arrivée d'eau est bien raccordée et que le robinet est ouvert.	
		La porte du lave-vaisselle n'est pas bien fermée.	Assurez-vous de bien fermer la porte et le loquet.	
Problèmes techniques	Le lave-vaisselle ne pompe pas l'eau	Nœud dans le tuyau d'évacuation	Vérifiez l'état du tuyau d'évacuation.	
		Filtre bouché	Vérifiez l'état du filtre primaire (cf. rubrique intitulée « Nettoyer le filtre »)	
		Évier bouché	Vérifiez l'état de l'évier de votre cuisine afin de vous assurer qu'il n'est pas bouché. Si l'eau de votre évier ne s'évacue pas correctement, il est probable que vous deviez faire appel à un plombier plutôt qu'à un technicien spécialisé dans la gestion des lave-vaisselle.	
Problèmes généraux	Mousse dans la cuve	Détergent non adapté	Utilisez uniquement du détergent spécial lave-vaisselle pour éviter la formation de mousse. Si cela se produit, ouvrez le lave-vaisselle et laissez la mousse s'évaporer. Versez 3 ou 4 litres d'eau froide dans la cuve. Fermez le lave-vaisselle en fermant le loquet, puis sélectionnez un cycle. Le lave-vaisselle commencera par vidanger l'eau. Ouvrez la porte une fois la vidange terminée et vérifiez que la mousse ait bien disparu. Renouvelez l'opération si nécessaire.	
		Produit de rinçage renversé	Nettoyez toujours immédiatement tout produit de rinçage renversé.	
		Intérieur de la cuve taché	Un détergent contenant du colorant a été utilisé	Vérifiez que le détergent utilisé ne comporte aucun colorant.
Problèmes généraux	Pellicule blanche sur les surfaces internes	Minéraux contenus dans une eau dure	Pour nettoyer les parois internes, utilisez une éponge humide avec du détergent pour lave-vaisselle et veillez à porter des gants en caoutchouc. N'utilisez jamais d'autres produits que ceux qui sont destinés aux lave-vaisselle afin d'éviter tout risque de formation de mousse.	
		Taches de rouille sur les couverts	Les couverts tachés ne sont pas résistants à la corrosion.	
			Aucun programme n'a été lancé après l'ajout du sel pour lave-vaisselle. Des traces de sel se sont mêlées au cycle de lavage.	Lancez toujours le programme de lavage rapide sans placer de couverts dans le lave-vaisselle et sans la fonction Turbo (si elle est disponible) après avoir ajouté du sel pour lave-vaisselle.
		Le couvercle de l'adoucisseur n'est pas bien fermé.	Inspectez le couvercle et assurez-vous qu'il est bien fermé.	



	Problème	Causes possibles	Que faut-il faire ?
Bruit	Bruits de choc dans le lave-vaisselle	Un des bras de lavage se heurte contre l'un des ustensiles présents dans le panier situé en-dessous ou au-dessus.	Mettez le programme en pause et réorganisez les ustensiles qui bloquent le bras de lavage.
	Cliquetis dans le lave-vaisselle	Des couverts ont été renversés dans le lave-vaisselle.	Mettez le programme en pause et réorganisez la disposition de vos couverts.
	Bruits de choc dans les conduits d'eau	Ceci peut être dû à l'installation sur place ou aux sections des conduits.	Ceci n'a aucun impact sur la performance du lave-vaisselle. Si vous avez des doutes, faites appel à un plombier qualifié.
Lavage non satisfaisant	La vaisselle n'est pas propre	La vaisselle n'a pas été correctement placée dans le lave-vaisselle.	Cf. rubrique « Remplir les paniers du lave-vaisselle »
		Le programme choisi n'était pas assez puissant.	Sélectionnez un programme plus intensif. Cf. « Tableau des cycles de lavage ».
		La quantité de détergent n'était pas suffisante.	Ajoutez plus de détergent ou changez de détergent.
		Des ustensiles bloquent la course des bras de lavage.	Réorganisez la disposition de vos ustensiles afin que les bras de lavage puissent tourner librement.
		Le dispositif de filtration situé à la base de l'appareil n'est pas propre ou n'est pas bien installé. Ceci peut bloquer les jets des bras de lavage.	Nettoyez et/ou remplacez correctement le dispositif de filtration. Nettoyez les bras de lavage. Cf. « Nettoyer les bras de lavage ».
	Verres troubles	Association d'une eau douce avec trop de détergent.	Utilisez moins de détergent si vous avez une eau douce, et sélectionnez un cycle plus court pour laver les verres et optimiser leur propreté.
	Traces noires ou grises sur la vaisselle	Des ustensiles en aluminium ont frotté contre votre vaisselle.	Nettoyez la vaisselle à l'aide d'un produit abrasif doux pour éliminer les traces.
Reste de détergent dans les bacs	Des ustensiles bloquent les bacs à détergent.	Réorganisez la disposition de votre vaisselle.	
Séchage non satisfaisant	La vaisselle n'est pas sèche	Mauvaise disposition des ustensiles	Respectez les consignes de remplissage du lave-vaisselle.
		Quantité de produit de rinçage insuffisante	Augmentez la quantité de produit de rinçage/remplissez le compartiment à produit de rinçage.
		La vaisselle a été sortie trop tôt	Ne videz pas votre lave-vaisselle immédiatement après le cycle de lavage. Ouvrez légèrement la porte pour que la vapeur puisse s'échapper. Attendez que votre vaisselle soit à peine tiède au toucher pour vider votre lave-vaisselle. Videz le panier du bas en premier lieu afin d'éviter que de l'eau ne s'écoule depuis la vaisselle du panier du haut dans celui du bas.
		Le programme choisi n'était pas adapté	Avec un programme court, la température de lavage est moins importante, ce qui réduit la performance de lavage. Choisissez un programme de longue durée.
		Les couverts présentent un revêtement de mauvaise qualité	L'évacuation de l'eau est plus difficile sur les revêtements de mauvaise qualité. Les couverts ou plats de ce type ne sont pas adaptés au lavage en lave-vaisselle.

Codes d'erreur

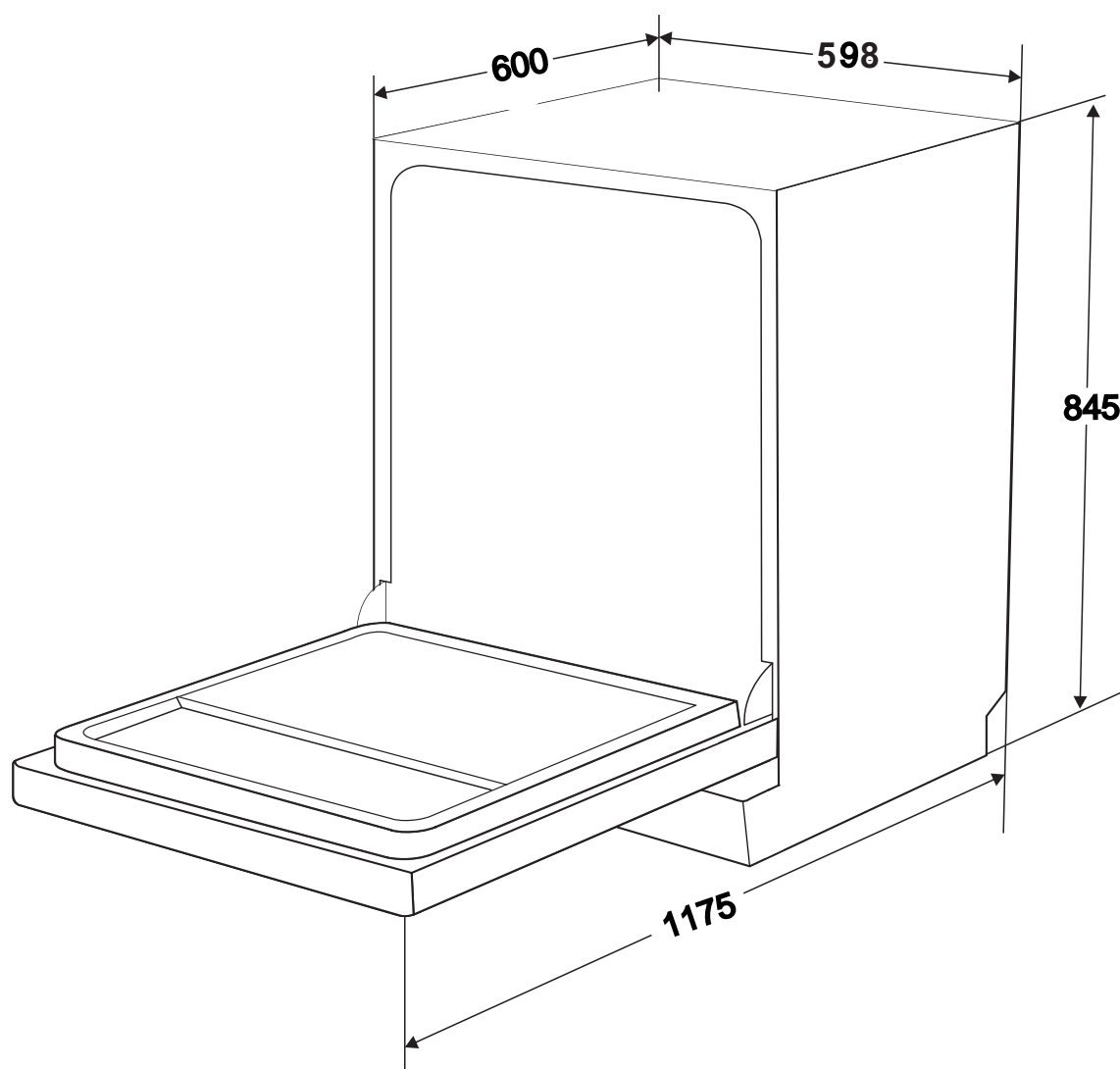
En cas de dysfonctionnement, l'appareil affiche des codes d'erreur pour vous avertir :

<i>Code</i>	<i>Signification</i>	<i>Causes possibles</i>
E1	Délai d'arrivée d'eau plus long.	Le robinet est fermé, l'arrivée d'eau est bloquée ou la pression de l'eau est trop faible.
E3	Température requise non atteinte.	Dysfonctionnement de l'élément chauffant.
E4	Débordement.	Un composant du lave-vaisselle fuit.
E8	Mauvaise orientation du robinet d'alimentation.	Le circuit est ouvert ou le robinet d'alimentation est cassé
Ed	Erreur de communication entre la carte principale et la carte d'affichage.	Circuit ouvert ou court-circuit de la communication.

⚠ ATTENTION !

- ⓘ En cas de débordement, coupez l'arrivée d'eau avant d'appeler un technicien.
- ⓘ Si le caisson de base déborde :
 - Coupez l'arrivée d'eau avant d'appeler un technicien
 - Éliminez l'excédent d'eau avant de redémarrer le lave-vaisselle.

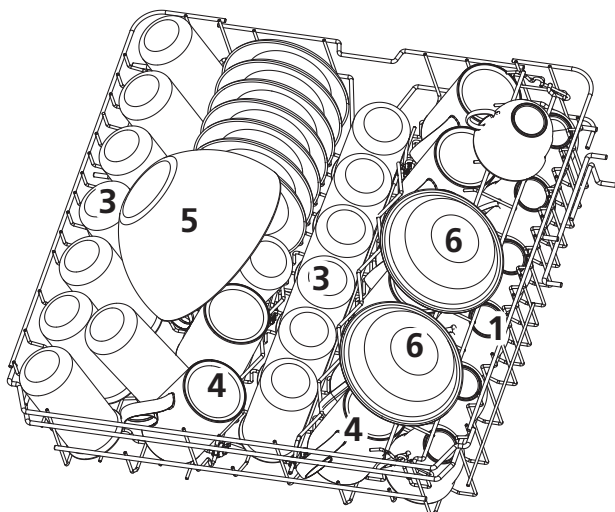
Informations techniques



Hauteur :	845 mm
Largeur :	598 mm
Profondeur :	600 mm (porte fermée)
Pression hydraulique :	0,04-1,0MPa
Alimentation électrique :	cf. plaque signalétique
Capacité :	15 couverts

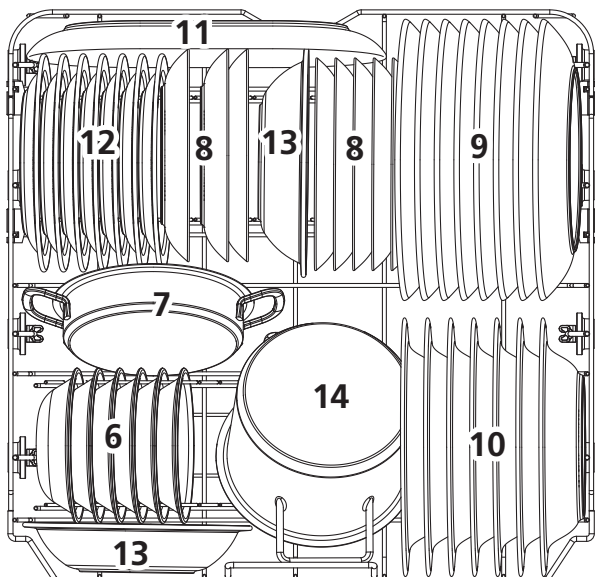
PROCÉDURE DE REPLISSAGE DES PANIERS SELON LA NORME EN60436 :

1. Panier du haut :



Numéro	Type de vaisselle
1	Tasses
2	Soucoupes
3	Verres
4	Grandes tasses
5	Bol en verre
6	Bols à dessert

2. Panier du bas :

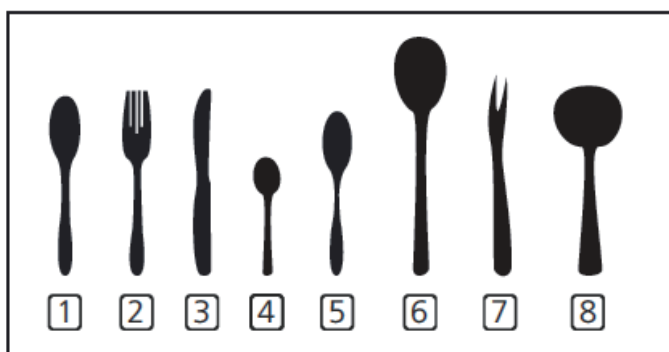
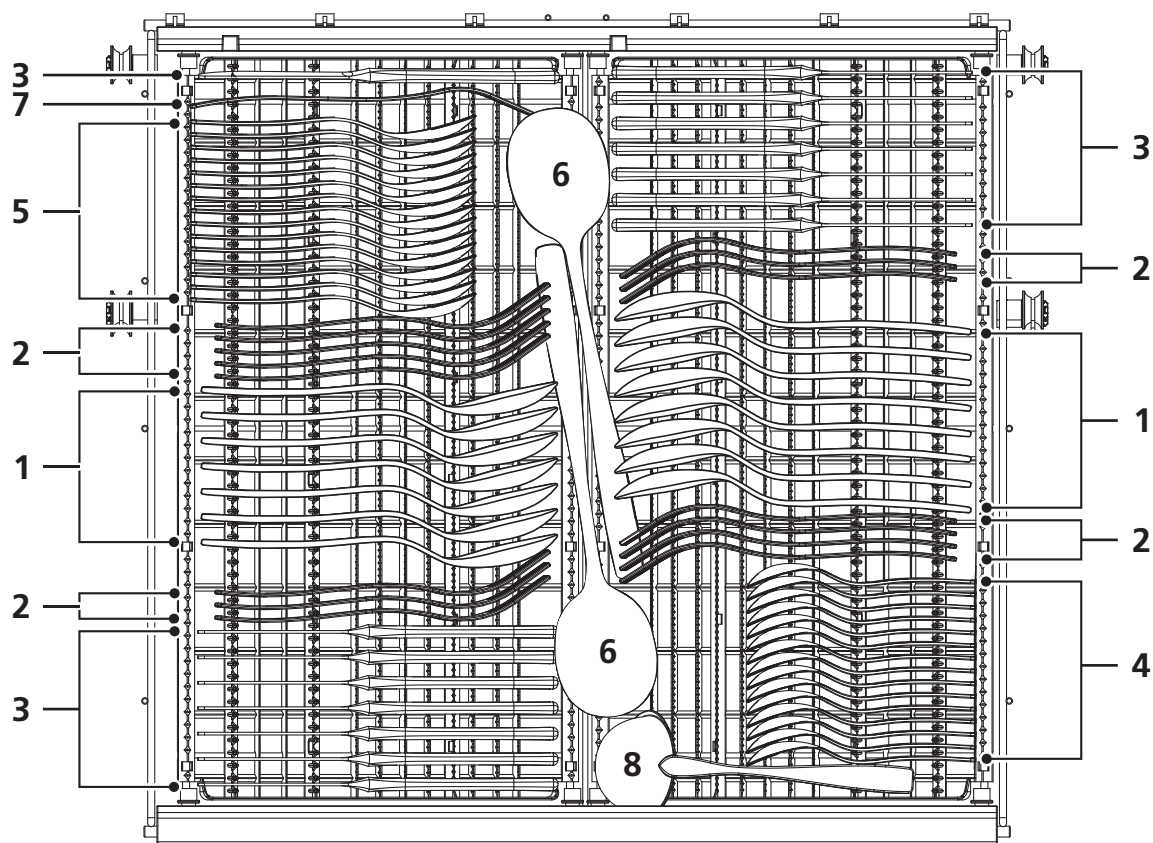


Numéro	Type de vaisselle
7	Marmite
8	Assiettes à dessert
9	Assiettes plates
10	Assiettes creuses
11	Plat ovale
12	Assiettes à dessert en mélamine
13	Bols en mélamine
14	Petite casserole

Attention:

Le non-respect du plan de chargement pourrait entraîner une mauvaise qualité de lavage.

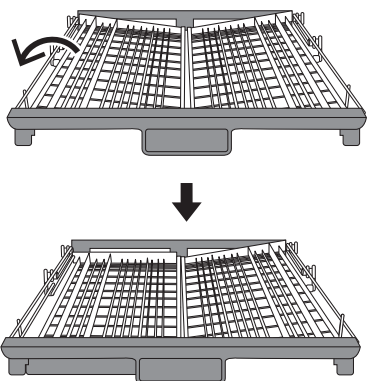
3. Tiroir à couverts :



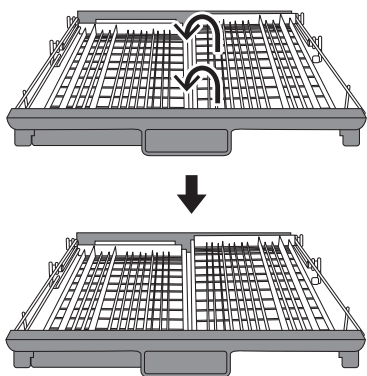
Informations destinées aux tests de comparabilité selon la norme EN 60436 :
 Capacité : 15 couverts
 Position du panier du haut : basse
 Programme : ECO
 Nombre de modes avec distribution du produit de rinçage: position 5
 Réglage de l'adoucisseur : H3

Numéro	Type de vaisselle
1	Cuillères à soupe
2	Fourchettes
3	Couteaux
4	Cuillères à thé
5	Cuillères à dessert
6	Cuillères à servir
7	Fourchettes à servir
8	Cuillères à sauce

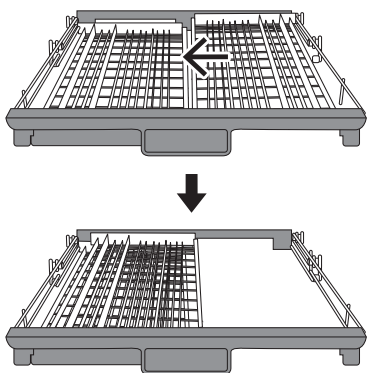
• Différentes positions du panier à couverts



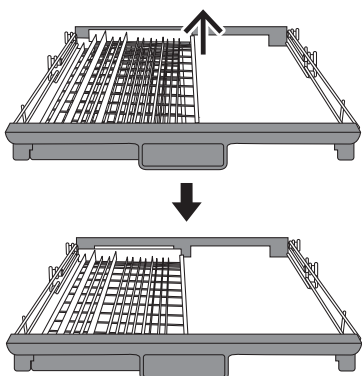
Soulevez la partie gauche du panier, ajustez la partie gauche du panier en position basse; la partie gauche du panier est à plat et la partie droite est oblique.



Soulevez la partie droite du panier ; les deux côtés du panier sont à plat.



Déplacez la partie droite de droite à gauche ; les deux côtés se superposent.



Retirez la partie droite du panier ; seule la partie gauche reste en place.

ACCES BASE DE DONNEES

Afin d'accéder aux informations concernant votre modèle, stocké dans la base de données des produits, conformément au règlement (UE) 2019/2017 et relatif à l'étiquetage énergétique, veuillez-vous connecter au site internet : <https://eprel.ec.europa.eu/>

Rechercher la référence de votre appareil sur le site internet en entrant la référence service qui est indiquée sur la plaque signalétique de votre appareil.

Un autre moyen d'accéder à ces informations est de flasher le code « QR » présent sur l'étiquette énergétique de votre produit.

FR Service Après-vente :

1- RELATIONS CONSOMMATEURS FRANCE

Pour en savoir plus sur nos produits ou nous contacter, vous pouvez:

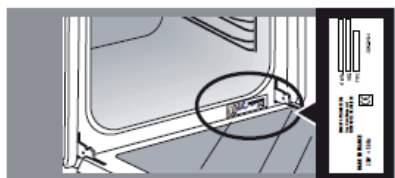
- consulter notre site : www.brandt.fr
- nous écrire à l'adresse postale suivante :
Service Consommateurs BRANDT
5 avenue des Béthunes
CS69526 SAINT OUEN L'AUMONE
95060 CERGY PONTOISE CEDEX
- nous appeler du lundi au vendredi de 8h30 à 18h00 au :

0 892 02 88 01 Service 0,50 € / min
+ prix appel

Service fourni par Brandt France, S.A.S. au capital social de 100.000.000 euros
RCS Nanterre 801 250 531.

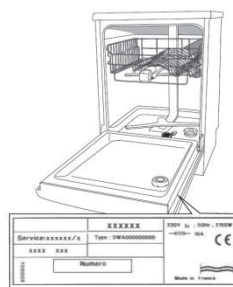
2- INTERVENTIONS FRANCE

Les éventuelles interventions sur votre appareil doivent être effectuées par un professionnel qualifié dépositaire de la marque. Lors de votre appel, afin de faciliter la prise en charge de votre demande, munissez-vous des références complètes de votre appareil (référence commerciale, référence service, numéro de série). Ces renseignements figurent sur la plaque signalétique.



A	B	
SERVICE : C	TYPE : D	G
E	F	
Nr. H		I

B : Référence commerciale
C : Référence service
H : Numéro de série



Vous pouvez nous contacter du lundi au samedi de 8h00 à 20h00 au :

09 69 39 25 25 Service gratuit
+ prix appel

Pièces d'origine :

Lors d'une intervention, demandez l'utilisation exclusive de pièces détachées certifiées d'origine.

INFORMATION :

La durée minimale de mise à disposition des pièces de rechange inscrites dans la liste du Règlement Européen 2019-2022-EU et accessibles notamment à l'utilisateur de l'appareil, est de 10 ans dans les conditions prévues par ce même règlement.

